



UNIT SALES - DATA  
SHEETS MANUAL

### Notice for specifications

I.U. = Indoor Unit O.U. = Outdoor Unit Qu = Quiet \* = Not decided yet

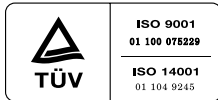
- Specifications and design are subject to change without notice for future improvement.
- For further details, please check with our authorised dealer.
- Cooling/Heating capacities are based on the following conditions.

Cooling	Indoor temp. : 27°C DB/19°C WB Outdoor temp.: 35°C DB/24°C WB	Heating	Indoor temp. : 20°C DB Outdoor temp.: 7°C DB/6°C WB
UK Cooling Conditions	Indoor temp. : 23°C DB/16°C WB Outdoor temp.: 30°C	UK Heating Conditions	Indoor temp. : 20°C DB Outdoor temp.: 0°C DB/-2°C WB

- Performance test is in accordance with EN14511
- Seasonal efficiency test is on accordance with EN14825
- Sound power test is in accordance with EN12102



Fujitsu General (Thailand) Co., Ltd.



ISO 9001 Certified number: 01 100 075229  
ISO 14001 Certified number: 01 104 9245

Fujitsu General (Shanghai) Co., Ltd.



ISO 9001 Certified number: 01 100 79269  
ISO 14001 Certified number: CNB312244-UK

Fujitsu General Central Air-conditioner (Wuxi) Co., Ltd.



ISO 9001 Certified number: 15917Q20073R5M  
ISO 14001 Certified number: 15918E20021R5M

- The products or equipments in this catalogue contain fluorinated greenhouse gases.
- **AIRSTAGE** is a worldwide trademarks of FUJITSU GENERAL LIMITED and are registered trademarks in Japan and other countries or areas.
- **nocria** is a worldwide trademark of FUJITSU GENERAL LIMITED.
- **FLair** is a worldwide trademark of FUJITSU GENERAL LIMITED.
- "DUAL BLASTER & device" is a worldwide trademark of FUJITSU GENERAL LIMITED and is a registered trademark in Japan and other countries or areas.
- iPhone and iPod touch are trademarks of Apple Inc., registered in the U.S. and other countries.
- "Microsoft", "Windows", "Direct X" are trademarks of Microsoft Corporation in the United States and certain other countries.
- IntesisHome® is a registered trademark of Intesis Software S.L.
- "BACnet" is a trademark or registered trademark of the American Society of Heating, Refrigerating and Air-Conditioning Engineers, Inc.
- "MODBUS" is a registered trademark of Schneider Electric.
- "LONWORKS" and Echelon are trademarks of Echelon Corporation registered in the United states and other countries.
- Adobe® Reader® is either registered trademarks or trademarks of Adobe Systems Incorporated in the United States and/or other countries.
- Other company and product names mentioned herein may be registered trademarks, trademarks or trade names of their respective owners.

Distributed by:

Generation	Product Range	Refrigerant	Unit Type	Indoor Models	Outdoor Models	Page		
Current Range	Splits	R32	Wall Mounted - Economy	ASYG**KPCA	AOYG**KPCA	<a href="#">004</a>		
				ASYG**KLCA	AOYG**KLCA	<a href="#">008</a>		
			Wall Mounted - Standard	ASYG**KMCC	AOYG**KMCC	<a href="#">012</a>		
				ASYG**KMTA(B)	AOYG**KMTA	<a href="#">020</a>		
			Wall Mounted - Designer	ASYG**KETA(B)	AOYG**KETA	<a href="#">031</a>		
				ASYG**KGTB	AOYG**KGCA	<a href="#">043</a>		
		R410A	Floor Standing	AGYG**KVCA	AOYG**KVCA	<a href="#">051</a>		
			Floor - Ceiling	ABYG**LVTA(B)	AOYG**LBCB	<a href="#">057</a>		
			Compact Cassettes	AUXG**KVLA	-	<a href="#">061</a>		
			Circular Flow Cassettes	AUXG**KRLB	-	<a href="#">068</a>		
			Slim Ducted	ARXG**KLLAP	-	<a href="#">075</a>		
			Medium Static Ducted	ARXG**KHTAP	-	<a href="#">080</a>		
		R32	Medium Static Ducted	ARXG**KMLA(B)	-	<a href="#">089</a>		
			High Static Ducted	ARXG**KHTA	-	<a href="#">095</a>		
			Ceiling Suspended	ABYG**KRTA	-	<a href="#">097</a>		
			Economy Outdoors (Single Phase)	-	AOYG**KATA	<a href="#">104</a>		
			Economy Outdoors (Three Phase)	-	AOYG**KQTA	<a href="#">114</a>		
			Standard Outdoors (Single Phase)	-	AOYG**KBTB	<a href="#">117</a>		
	R410A	Standard Outdoors (Three Phase)	-	AOYG**KRTA	<a href="#">127</a>			
		High Static Ducted	ARYG**LHTA	AOYG**LATT, AOYG**LRLA	<a href="#">130</a>			
	Multi Split	R32	Multi Split Outdoors	-	AOYG**KBTA*	<a href="#">136</a>		
			Mini Duct	ARXG**KSLAP	-	<a href="#">142</a>		
		R410A	Multi Split Outdoors	-	AOYG45LBLA6	<a href="#">147</a>		
			Mini Duct	ARYG**LSLAP	-	<a href="#">148</a>		
				Slim Duct	ARYG**LLTA(B)	-	<a href="#">153</a>	
		Previous Generation	Splits	R410A	Wall Mounted	ASYG**LLCE	AOYG**LLCE	<a href="#">158</a>
	ASYG**LMCE					AOYG**LMCE	<a href="#">164</a>	
	ASYG**LUCA					AOYG**LUC(A)(B)	<a href="#">172</a>	
ASYG**LTCA	AOYG**LTC					<a href="#">180</a>		
ASYG**LMTA	AOYG**LMTA					<a href="#">184</a>		
ASYG**LF*	AOYG**LF*					<a href="#">188</a>		
Floor Standing	AGYG**LVCA			AOYG**LVC(L)A	<a href="#">194</a>			
Compact Cassettes	AUXG**LVLA(B)			AOYG**LALL	<a href="#">200</a>			
Circular Flow Cassettes	AUXG**LRLB			AOYG**LBC(T)A	<a href="#">205</a>			
4 Way Cassettes	AUYG**LRLA(E)			AOYG**LETL, AOYG**LATT, AOYG**LBTC	<a href="#">217</a>			
Medium Static Ducted	ARYG**LMLA(E)			-	<a href="#">230</a>			
Medium Static Ducted	ARYG**LHTBP			AOYG**LBLA	<a href="#">235</a>			
High Static Ducted	ARYG**LHTA			-	<a href="#">245</a>			
Floor - Ceiling	ABYG**LVTA			-	<a href="#">247</a>			
Ceiling Suspended	ABYG**LRTA(E)			-	<a href="#">248</a>			
Sim Multi				Sim Multi Outdoors	-	AOYG**LBTB	<a href="#">253</a>	
Current Range	VRF			R410A	J-IVS Outdoors	-	AJY***LCLBH	<a href="#">255</a>
					J-IV Outdoors	-	AJY***LB(E)LBH	<a href="#">258</a>
			J-IVL Outdoors		-	AJY***LELBH	<a href="#">264</a>	
			V-III Outdoors		-	AJY***LALBH	<a href="#">270</a>	
			VR-IV		-	AJY***GALBH	<a href="#">276</a>	
			Wall Mounted (Internal EEV)		ASYA***GCGH	-	<a href="#">281</a>	
					ASYA***GBCH	-	<a href="#">286</a>	
					ASYA***GTEH	-	<a href="#">288</a>	
					ASYE***GTEH	-	<a href="#">290</a>	
					ASYE***GCEH	-	<a href="#">293</a>	
					Compact Cassettes	AUXB***GLEH	-	<a href="#">295</a>
			4 Way Cassettes		AUXD***GALH	-	<a href="#">302</a>	
		Circular Flow Cassettes	AUXK***GLEH		-	<a href="#">304</a>		
		1 Way Cassettes	AUXV***GLEH		-	<a href="#">311</a>		
		Bulkhead Duct	ARXK***GLGH		-	<a href="#">318</a>		
		Slim Duct / Floor	ARXD***GLEH		-	<a href="#">325</a>		
		Medium Static Ducted	ARXA***GLEH		-	<a href="#">332</a>		
		High Static Ducted	ARXC***GTE(AT)H		-	<a href="#">335</a>		
		Floor Standing (Internal EEV)	AGYA***GCGH		-	<a href="#">341</a>		
		Floor Standing (External EEV)	AGYE***GCEH		-	<a href="#">346</a>		
Floor - Ceiling	ABYA***GTEH	-	<a href="#">351</a>					
Ceiling Suspended	ABYA***GTEH	-	<a href="#">355</a>					

# ASYG09KPCA

Please visit our webstore for full product and technical documentation 

Unit Type	Wall Mounted
Remote Controller	IR Included
Nominal Cooling Capacity (kW)	2.5
Nominal Heating Capacity (kW)	2.8
Height (mm)	270
Width (mm)	784
Depth (mm)	224
Weight (kg)	8.0
Airflow Rate - Cooling - High (m <sup>3</sup> /h)	580
Airflow Rate - Heating - High (m <sup>3</sup> /h)	580
Sound Pressure Level - Cooling - High (dB(A))	45
Sound Pressure Level - Cooling - Low (dB(A))	22
Sound Pressure Level - Heating - High (dB(A))	45
Sound Pressure Level - Heating - Low (dB(A))	26
Sound Power Level - Cooling - High (dB(A))	58
Sound Power Level - Heating - High (dB(A))	58
Moisture Removal (l/h)	1.3
Refrigerant Type (Global Warming Potential)	R32 (675)
Liquid Pipe Size	1/4"
Gas Pipe Size	3/8"
Unit Power Supply	From Outdoor Unit



### Document Downloads

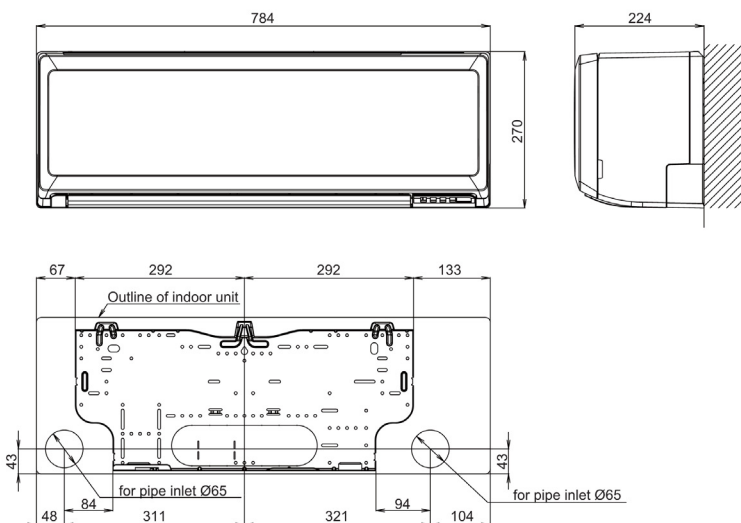
- [Airflow - Fan Curve](#)
- [Controls & Accessories](#)
- [Dimensional Drawing](#)
- [Function Settings](#)
- [Installation Manual](#)
- [Noise Curve](#)
- [Operation Manual](#)
- [Product Image](#)
- [Spare Parts List All Pages](#)

- [Specifications](#)
- [Wiring Diagram](#)

### Related Items

- [AOYG09KPCA](#) 2.5kW Outdoor Unit - R32 Single Phase
- [UTYTFSXF2](#) Wireless LAN interface
- [UTZRXLA](#) Remote Control Holder - LLCC

Unit: mm

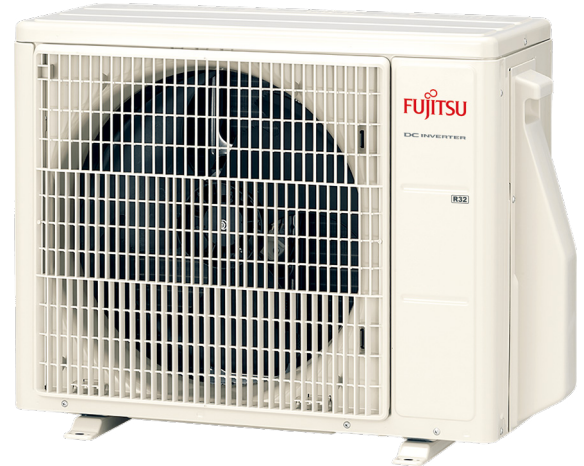


\*Specifications and design are subject to change without notice for further improvement.  
 •Actual products' colors may be different from the colors shown in this printed material.

# AOYG09KPCA

Please visit our [webstore](#) for full product and technical documentation 

Nominal Cooling Capacity	(kW)	2.5
Nominal Heating Capacity	(kW)	2.8
Height	(mm)	541
Width	(mm)	663
Depth	(mm)	290
Weight	(kg)	23
Airflow Rate - Cooling - High	(m <sup>3</sup> /h)	1650
Airflow Rate - Heating - High	(m <sup>3</sup> /h)	1450
Sound Pressure Level - Cooling - High	(dB(A))	47
Sound Pressure Level - Heating - High	(dB(A))	47
Sound Power Level - Cooling - High	(dB(A))	59
Sound Power Level - Heating - High	(dB(A))	59
Refrigerant Type (Global Warming Potential)		R32 (675)
Liquid Pipe Size		1/4"
Gas Pipe Size		3/8"
Min - Max Pipe Length	(m)	3 - 20
Max Height Difference	(m)	15
Refrigerant Charge (kg)	(kg)	0.55
Refrigerant CO <sub>2</sub> eq-T		0.371
Precharged For	(m)	15
Additional Charge (g/m)	(g/m)	20
Unit Power Supply		1Ph-230V-50Hz
Suggested Fuse Size	(A)	10
Cooling Mode Minimum Ambient	(°C)	-10
Cooling Mode Maximum Ambient	(°C)	46
Heating Mode Minimum Ambient	(°C)	-15
Heating Mode Maximum Ambient	(°C)	24



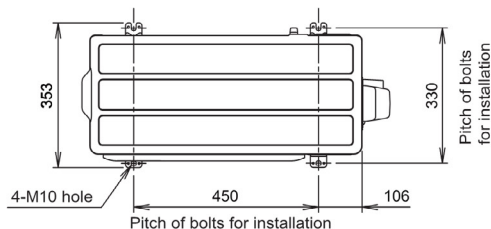
### Document Downloads

[Accessories](#)
[Airflow](#)
[Capacity Correction](#)
[Charging Details](#)
[Controls & Accessories](#)
[Design & Technical Manual](#)
[Dimensional Drawing](#)
[Electrical Characteristics](#)
[Installation Manual](#)
[Installation Space](#)
[Noise Curve](#)
[Product Image](#)
[Refrigerant Circuit](#)
[Spare Parts List All Pages](#)
[Specifications](#)
[Wiring Diagram](#)

### Related Items

[ASYG09KPCA](#)

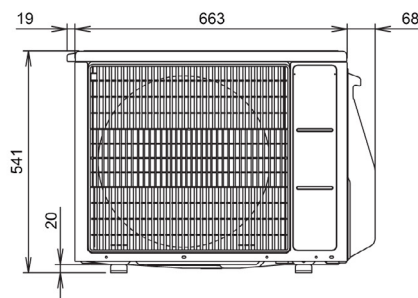
2.5kW Wall Mounted Indoor Unit - R32



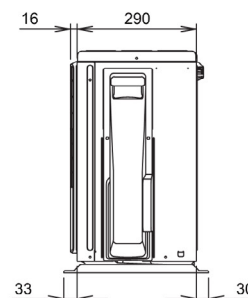
Top view



Side view



Front view



Side view

Units: mm

\*Specifications and design are subject to change without notice for further improvement.

\*Actual products' colors may be different from the colors shown in this printed material.

# ASYG12KPCA

Please visit our webstore for full product and technical documentation 

Unit Type	Wall Mounted
Remote Controller	IR Included
Nominal Cooling Capacity (kW)	3.4
Nominal Heating Capacity (kW)	3.8
Height (mm)	270
Width (mm)	784
Depth (mm)	224
Weight (kg)	8
Airflow Rate - Cooling - High (m <sup>3</sup> /h)	630
Airflow Rate - Heating - High (m <sup>3</sup> /h)	630
Sound Pressure Level - Cooling - High (dB(A))	46
Sound Pressure Level - Cooling - Low (dB(A))	22
Sound Pressure Level - Heating - High (dB(A))	46
Sound Pressure Level - Heating - Low (dB(A))	27
Sound Power Level - Cooling - High (dB(A))	59
Sound Power Level - Heating - High (dB(A))	59
Moisture Removal (l/h)	1.8
Refrigerant Type (Global Warming Potential)	R32 (675)
Liquid Pipe Size	1/4"
Gas Pipe Size	3/8"
Unit Power Supply	From Outdoor Unit



### Document Downloads

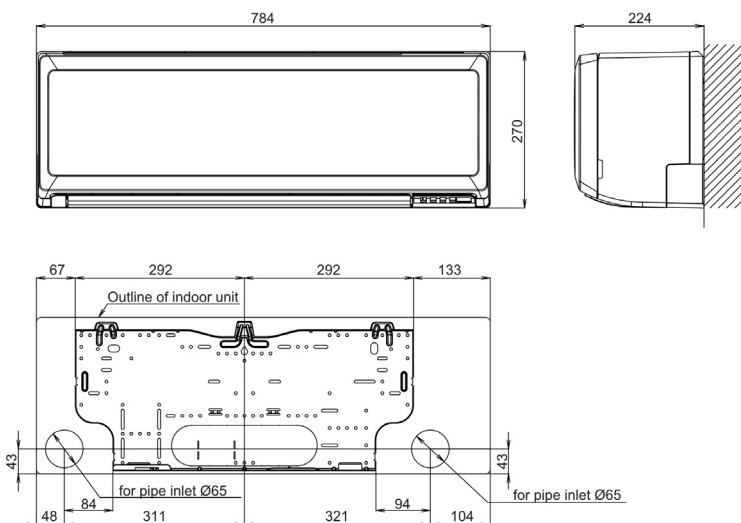
- [Airflow - Fan Curve](#)
- [Controls & Accessories](#)
- [Dimensional Drawing](#)
- [Function Settings](#)
- [Installation Manual](#)
- [Noise Curve](#)
- [Operation Manual](#)
- [Product Image](#)
- [Spare Parts List All Pages](#)

- [Specifications](#)
- [Wiring Diagram](#)

### Related Items

- [AOYG12KPCA](#) 3.4kW Outdoor Unit - R32 Single Phase
- [UTYTFSXF2](#) Wireless LAN interface
- [UTZRXLA](#) Remote Control Holder - LLCC

Unit: mm

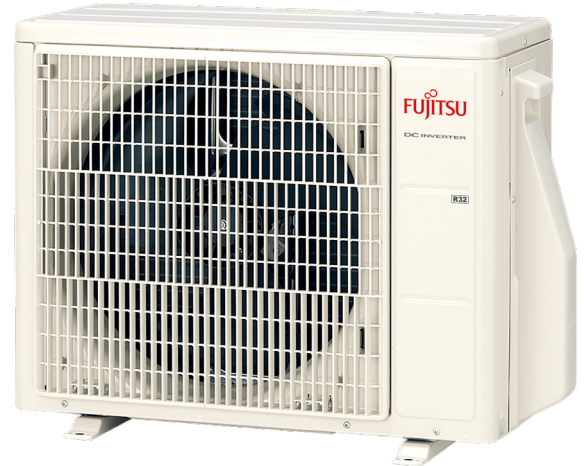


\*Specifications and design are subject to change without notice for further improvement.  
 •Actual products' colors may be different from the colors shown in this printed material.

### AOYG12KPCA

Please visit our [webstore](#) for full product and technical documentation 

Nominal Cooling Capacity	(kW)	3.4
Nominal Heating Capacity	(kW)	3.8
Height	(mm)	541
Width	(mm)	663
Depth	(mm)	290
Weight	(kg)	25
Airflow Rate - Cooling - High	(m <sup>3</sup> /h)	1700
Airflow Rate - Heating - High	(m <sup>3</sup> /h)	1470
Sound Pressure Level - Cooling - High	(dB(A))	49
Sound Pressure Level - Heating - High	(dB(A))	51
Sound Power Level - Cooling - High	(dB(A))	62
Sound Power Level - Heating - High	(dB(A))	62
Refrigerant Type (Global Warming Potential)		R32 (675)
Liquid Pipe Size		1/4"
Gas Pipe Size		3/8"
Min - Max Pipe Length	(m)	3 - 20
Max Height Difference	(m)	15
Refrigerant Charge (kg)	(kg)	0.59
Refrigerant CO <sub>2</sub> eq-T		0.398
Precharged For	(m)	15
Additional Charge (g/m)	(g/m)	20
Unit Power Supply		1Ph-230V-50Hz
Suggested Fuse Size	(A)	10
Cooling Mode Minimum Ambient	(°C)	-10
Cooling Mode Maximum Ambient	(°C)	46
Heating Mode Minimum Ambient	(°C)	-15
Heating Mode Maximum Ambient	(°C)	24



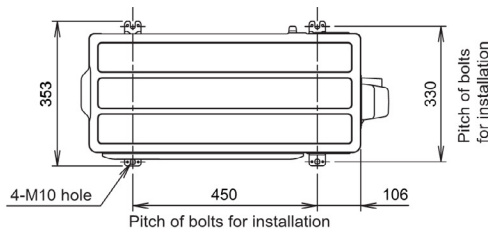
#### Document Downloads

[Accessories](#)
[Airflow](#)
[Capacity Correction](#)
[Charging Details](#)
[Design & Technical Manual](#)
[Dimensional Drawing](#)
[Electrical Characteristics](#)
[Installation Manual](#)
[Installation Space](#)
[Noise Curve](#)
[Product Image](#)
[Refrigerant Circuit](#)
[Spare Parts List All Pages](#)
[Specifications](#)
[Wiring Diagram](#)

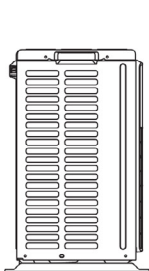
#### Related Items

[ASYG12KPCA](#)

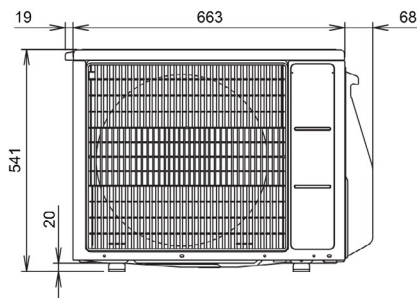
3.4kW Wall Mounted Indoor Unit - R32



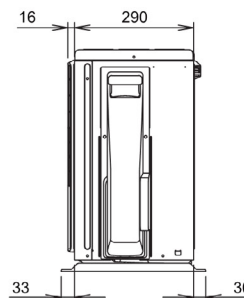
Top view



Side view



Front view



Side view

Units: mm

\*Specifications and design are subject to change without notice for further improvement.  
 \*Actual products' colors may be different from the colors shown in this printed material.

## ASYG18KLCA

Please visit our webstore for full product and technical documentation 

Unit Type	Remote Controller	Wall Mounted	IR Included
Nominal Cooling Capacity	(kW)	5.2	
Nominal Heating Capacity	(kW)	6.3	
Height	(mm)	293	
Width	(mm)	790	
Depth	(mm)	249	
Weight	(kg)	9.5	
Airflow Rate - Cooling - High	(m <sup>3</sup> /h)	865	
Airflow Rate - Heating - High	(m <sup>3</sup> /h)	995	
Sound Pressure Level - Cooling - High	(dB(A))	47	
Sound Pressure Level - Cooling - Low	(dB(A))	35	
Sound Pressure Level - Heating - High	(dB(A))	50	
Sound Pressure Level - Heating - Low	(dB(A))	37	
Sound Power Level - Cooling - High	(dB(A))	60	
Sound Power Level - Heating - High	(dB(A))	65	
Moisture Removal	(l/h)	1.9	
Refrigerant Type (Global Warming Potential)		R32 (675)	
Liquid Pipe Size		1/4"	
Gas Pipe Size		3/8"	
Unit Power Supply		From Outdoor Unit	



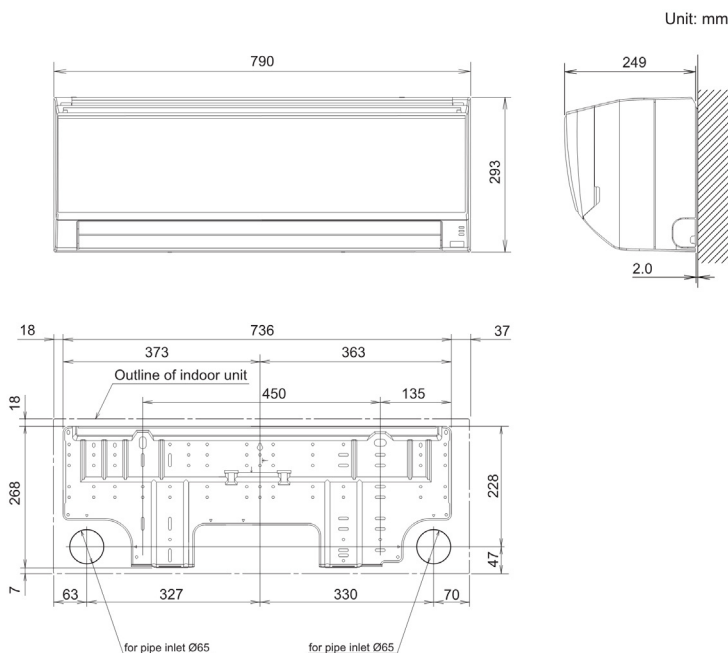
### Document Downloads

- [Airflow - Fan Curve](#)
- [Controls & Accessories](#)
- [Dimensional Drawing](#)
- [Function Settings](#)
- [Installation Manual](#)
- [Noise Curve](#)
- [Operation Manual](#)
- [Product Image](#)
- [Spare Parts List All Pages](#)

- [Specifications](#)
- [Wiring Diagram](#)

### Related Items

- [AOYG18KLCA](#) 5.2kW Outdoor Unit - R32 Single Phase



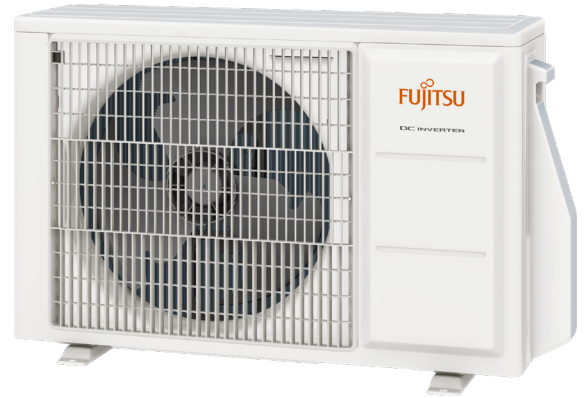
\*Specifications and design are subject to change without notice for further improvement.  
 •Actual products' colors may be different from the colors shown in this printed material.



# AOYG18KLCA

Please visit our webstore for full product and technical documentation 

Nominal Cooling Capacity	(kW)	5.2
Nominal Heating Capacity	(kW)	6.3
Height	(mm)	542
Width	(mm)	799
Depth	(mm)	290
Weight	(kg)	33
Airflow Rate - Cooling - High	(m3/h)	1830
Airflow Rate - Heating - High	(m3/h)	2265
Sound Pressure Level - Cooling - High	(dB(A))	50
Sound Pressure Level - Heating - High	(dB(A))	56
Sound Power Level - Cooling - High	(dB(A))	61
Sound Power Level - Heating - High	(dB(A))	66
Refrigerant Type (Global Warming Potential)		R32 (675)
Liquid Pipe Size		1/4"
Gas Pipe Size		3/8"
Min - Max Pipe Length	(m)	3 - 25
Max Height Difference	(m)	20
Refrigerant Charge (kg)	(kg)	0.85
Refrigerant CO2eq-T		0.574
Precharged For	(m)	15
Additional Charge (g/m)	(g/m)	20
Unit Power Supply		1Ph-230V-50Hz
Suggested Fuse Size	(A)	16
Cooling Mode Minimum Ambient	(°C)	-10
Cooling Mode Maximum Ambient	(°C)	46
Heating Mode Minimum Ambient	(°C)	-15
Heating Mode Maximum Ambient	(°C)	24



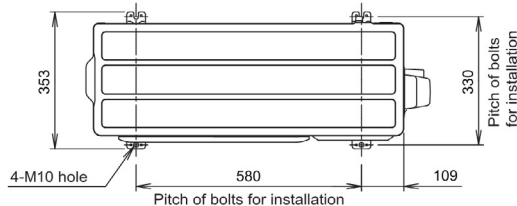
### Document Downloads

[Accessories](#)
[Airflow](#)
[Capacity Correction](#)
[Dimensional Drawing](#)
[Installation Manual](#)
[Noise Curve](#)
[Product Image](#)
[Refrigerant Circuit](#)
[Spare Parts List All Pages](#)
[Specifications](#)
[Wiring Diagram](#)

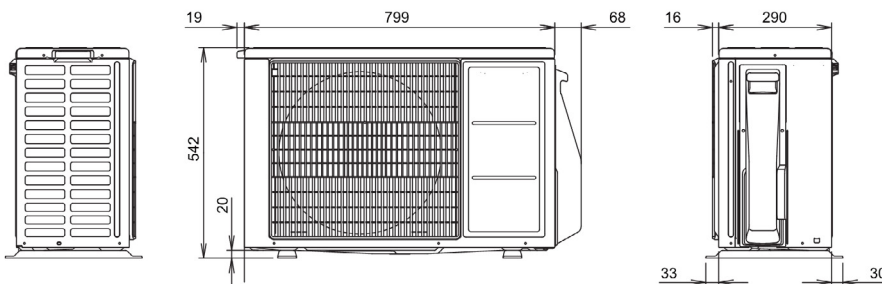
### Related Items

[ASYG18KLCA](#)

5.2kW Wall Mounted Indoor Unit - R32



Top view



Side view

Front view

Side view

Units: mm

\*Specifications and design are subject to change without notice for further improvement.  
 •Actual products' colors may be different from the colors shown in this printed material.

## ASYG24KLCA

Please visit our webstore for full product and technical documentation 

Unit Type	Wall Mounted
Remote Controller	IR Included
Nominal Cooling Capacity (kW)	7.1
Nominal Heating Capacity (kW)	8.0
Height (mm)	293
Width (mm)	790
Depth (mm)	249
Weight (kg)	10
Airflow Rate - Cooling - High (m <sup>3</sup> /h)	1040
Airflow Rate - Heating - High (m <sup>3</sup> /h)	1040
Sound Pressure Level - Cooling - High (dB(A))	51
Sound Pressure Level - Cooling - Low (dB(A))	33
Sound Pressure Level - Heating - High (dB(A))	52
Sound Pressure Level - Heating - Low (dB(A))	37
Sound Power Level - Cooling - High (dB(A))	64
Sound Power Level - Heating - High (dB(A))	65
Moisture Removal (l/h)	3.1
Refrigerant Type (Global Warming Potential)	R32 (675)
Liquid Pipe Size	1/4"
Gas Pipe Size	1/2"
Unit Power Supply	From Outdoor Unit



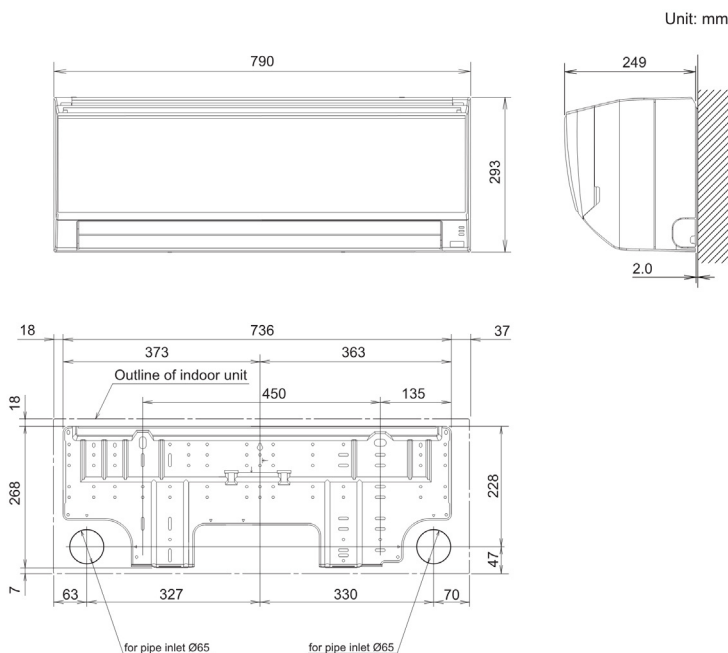
### Document Downloads

- [Airflow - Fan Curve](#)
- [Controls & Accessories](#)
- [Dimensional Drawing](#)
- [Function Settings](#)
- [Installation Manual](#)
- [Noise Curve](#)
- [Operation Manual](#)
- [Product Image](#)
- [Spare Parts List All Pages](#)

- [Specifications](#)
- [Wiring Diagram](#)

### Related Items

- [AOYG24KLCA](#) 7.1kW Outdoor Unit - R32 Single Phase



\*Specifications and design are subject to change without notice for further improvement.  
 •Actual products' colors may be different from the colors shown in this printed material.

## AOYG24KLCA

Please visit our webstore for full product and technical documentation 

Nominal Cooling Capacity	(kW)	7.1
Nominal Heating Capacity	(kW)	8.0
Height	(mm)	632
Width	(mm)	799
Depth	(mm)	290
Weight	(kg)	38
Airflow Rate - Cooling - High	(m <sup>3</sup> /h)	2885
Airflow Rate - Heating - High	(m <sup>3</sup> /h)	3030
Sound Pressure Level - Cooling - High	(dB(A))	55
Sound Pressure Level - Heating - High	(dB(A))	57
Sound Power Level - Cooling - High	(dB(A))	65
Sound Power Level - Heating - High	(dB(A))	67
Refrigerant Type (Global Warming Potential)		R32 (675)
Liquid Pipe Size		1/4"
Gas Pipe Size		1/2"
Min - Max Pipe Length	(m)	3 - 30
Max Height Difference	(m)	25
Refrigerant Charge (kg)	(kg)	1.1
Refrigerant CO <sub>2</sub> eq-T		0.743
Precharged For	(m)	15
Additional Charge (g/m)	(g/m)	20
Unit Power Supply		1Ph-230V-50Hz
Suggested Fuse Size	(A)	20
Cooling Mode Minimum Ambient	(°C)	-10
Cooling Mode Maximum Ambient	(°C)	46
Heating Mode Minimum Ambient	(°C)	-15
Heating Mode Maximum Ambient	(°C)	24



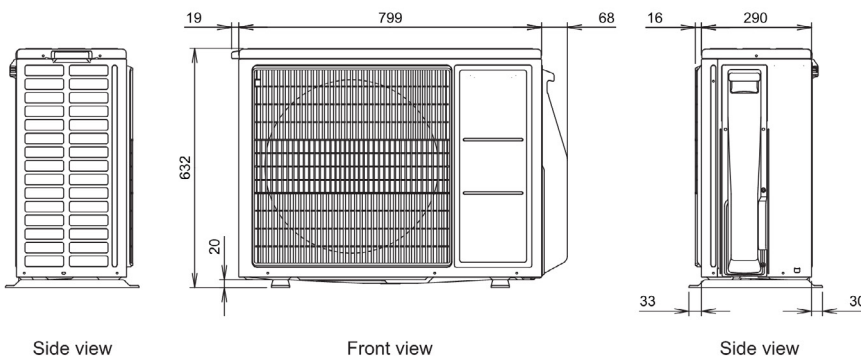
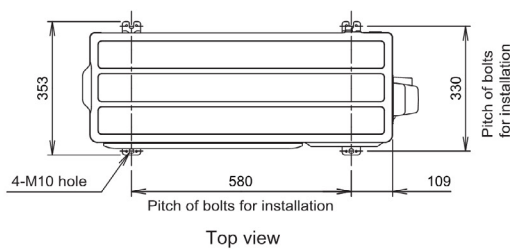
### Document Downloads

[Accessories](#)
[Airflow](#)
[Capacity Correction](#)
[Dimensional Drawing](#)
[Installation Manual](#)
[Noise Curve](#)
[Product Image](#)
[Refrigerant Circuit](#)
[Spare Parts List All Pages](#)
[Specifications](#)
[Wiring Diagram](#)

### Related Items

[ASYG24KLCA](#)

7.1kW Wall Mounted Indoor Unit - R32



Units: mm

\*Specifications and design are subject to change without notice for further improvement.

\*Actual products' colors may be different from the colors shown in this printed material.

## ASYG07KMCC

Please visit our webstore for full product and technical documentation 

Unit Type	Wall Mounted
Remote Controller	IR Included
Nominal Cooling Capacity (kW)	2.0
Nominal Heating Capacity (kW)	2.5
Height (mm)	270
Width (mm)	834
Depth (mm)	222
Weight (kg)	10
Airflow Rate - Cooling - High (m <sup>3</sup> /h)	650
Airflow Rate - Heating - High (m <sup>3</sup> /h)	720
Sound Pressure Level - Cooling - High (dB(A))	38
Sound Pressure Level - Cooling - Low (dB(A))	20
Sound Pressure Level - Heating - High (dB(A))	41
Sound Pressure Level - Heating - Low (dB(A))	22
Sound Power Level - Cooling - High (dB(A))	54
Sound Power Level - Heating - High (dB(A))	56
Moisture Removal (l/h)	1
Refrigerant Type (Global Warming Potential)	R32 (675)
Liquid Pipe Size	1/4"
Gas Pipe Size	3/8"
Unit Power Supply	From Outdoor Unit



### Document Downloads

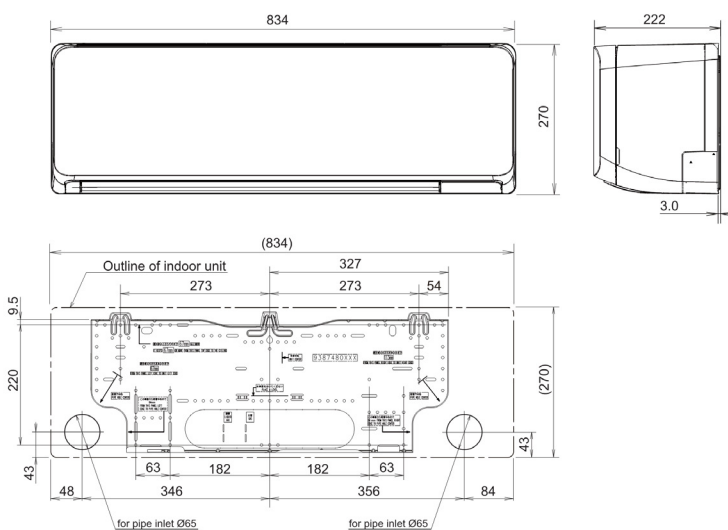
[Airflow - Fan Curve](#)  
[Controls & Accessories](#)  
[Dimensional Drawing](#)  
[Electrical Characteristics](#)  
[Function Settings](#)  
[Inputs & Outputs](#)  
[Installation Manual](#)  
[Noise Curve](#)  
[Operation Manual](#)

[Product Image](#)  
[Spare Parts List All Pages](#)  
[Specifications](#)  
[Wiring Diagram](#)

### Related Items

[AOYG07KMCC](#) 2.0kW Outdoor Unit - R32 Single Phase  
[AOYG14KBTA2](#) 4.0kW 2 Way Multi Outdoor Unit - R32 1 Ph  
[AOYG18KBTA2](#) 5.0kW 2 Way Multi Outdoor Unit - R32 1 Ph  
[AOYG18KBTA3](#) 5.4kW 3 Way Multi Outdoor Unit - R32 1 Ph  
[AOYG24KBTA3](#) 6.8kW 3 Way Multi Outdoor Unit - R32 1 Ph  
[AOYG30KBTA4](#) 8.0kW 4 Way Multi Outdoor Unit - R32 1 Ph  
[AOYG36KBTA5](#) 10.0kW 5 Way Multi Outdoor Unit - R32 1 Ph  
[AOYG45LBLA6](#) 12.5kW 6 Way Multi Outdoor Unit - R410A 1 Ph  
[UTYTFSXW1](#) Wireless LAN interface  
[UTYRVNYM](#) LCD Wired Remote Controller  
[UTYRSNYM](#) Simplified Wired Remote Controller  
[UTYXWZXZ5](#) External Connect Kit  
[UTYTWBXF2](#) Communication Kit  
[UTYTERX](#) External switch controller  
[UTYVTGX](#) Splits Network Converter (DC Powered)  
[UTYVTGXV](#) Splits Network Converter (AC Powered)

Unit: mm



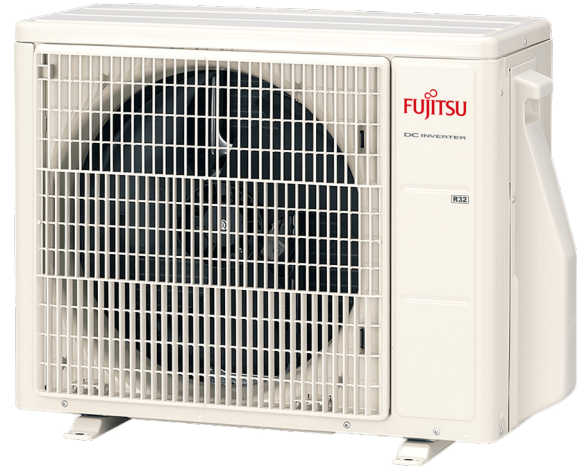
\*Specifications and design are subject to change without notice for further improvement.

\*Actual products' colors may be different from the colors shown in this printed material.

### AOYG07KMCC

Please visit our webstore for full product and technical documentation 

Nominal Cooling Capacity	(kW)	2.0
Nominal Heating Capacity	(kW)	2.5
Height	(mm)	541
Width	(mm)	663
Depth	(mm)	290
Weight	(kg)	22
Airflow Rate - Cooling - High	(m <sup>3</sup> /h)	1650
Airflow Rate - Heating - High	(m <sup>3</sup> /h)	1450
Sound Pressure Level - Cooling - High	(dB(A))	46
Sound Pressure Level - Heating - High	(dB(A))	46
Sound Power Level - Cooling - High	(dB(A))	61
Sound Power Level - Heating - High	(dB(A))	61
Refrigerant Type (Global Warming Potential)		R32 (675)
Liquid Pipe Size		1/4"
Gas Pipe Size		3/8"
Min - Max Pipe Length	(m)	3 - 20
Max Height Difference	(m)	15
Refrigerant Charge (kg)	(kg)	0.6
Refrigerant CO <sub>2</sub> eq-T		0.405
Precharged For	(m)	15
Additional Charge (g/m)	(g/m)	20
Unit Power Supply		1Ph-230V-50Hz
Suggested Fuse Size	(A)	10
Cooling Mode Minimum Ambient	(°C)	-10
Cooling Mode Maximum Ambient	(°C)	46
Heating Mode Minimum Ambient	(°C)	-15
Heating Mode Maximum Ambient	(°C)	24

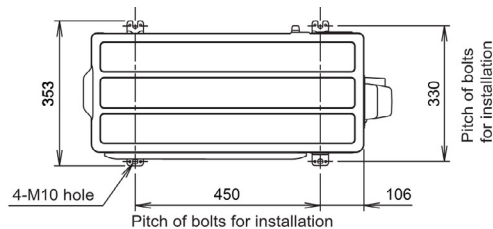


#### Document Downloads

- |   |  |
|---|--|
| <a href="#">Accessories</a>                   | <a href="#">Installation Space</a>         |
| <a href="#">Airflow</a>                       | <a href="#">Noise Curve</a>                |
| <a href="#">Capacity Correction</a>           | <a href="#">Product Image</a>              |
| <a href="#">Charging Details</a>              | <a href="#">Refrigerant Circuit</a>        |
| <a href="#">Controls &amp; Accessories</a>    | <a href="#">Spare Parts List All Pages</a> |
| <a href="#">Design &amp; Technical Manual</a> | <a href="#">Specifications</a>             |
| <a href="#">Dimensional Drawing</a>           | <a href="#">Wiring Diagram</a>             |
| <a href="#">Electrical Characteristics</a>    |  |
| <a href="#">Installation Manual</a>           |  |

#### Related Items

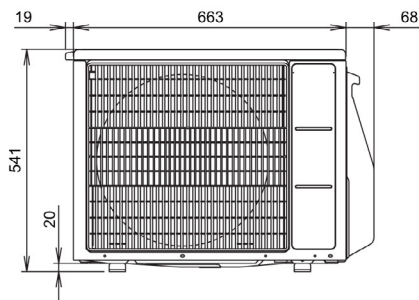
- [ASYG07KMCC](#) 2.0kW Wall Mounted Indoor Unit - R32



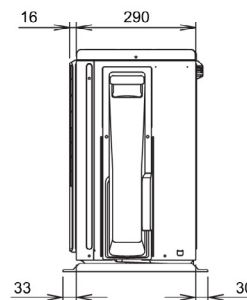
Top view



Side view



Front view



Side view

Units: mm

\*Specifications and design are subject to change without notice for further improvement.  
 \*Actual products' colors may be different from the colors shown in this printed material.

### ASYG09KMCC

Please visit our webstore for full product and technical documentation 

Unit Type	Wall Mounted
Remote Controller	IR Included
Nominal Cooling Capacity (kW)	2.5
Nominal Heating Capacity (kW)	2.8
Height (mm)	270
Width (mm)	834
Depth (mm)	222
Weight (kg)	10
Airflow Rate - Cooling - High (m <sup>3</sup> /h)	700
Airflow Rate - Heating - High (m <sup>3</sup> /h)	750
Sound Pressure Level - Cooling - High (dB(A))	40
Sound Pressure Level - Cooling - Low (dB(A))	20
Sound Pressure Level - Heating - High (dB(A))	42
Sound Pressure Level - Heating - Low (dB(A))	22
Sound Power Level - Cooling - High (dB(A))	55
Sound Power Level - Heating - High (dB(A))	57
Moisture Removal (l/h)	1.3
Refrigerant Type (Global Warming Potential)	R32 (675)
Liquid Pipe Size	1/4"
Gas Pipe Size	3/8"
Unit Power Supply	From Outdoor Unit

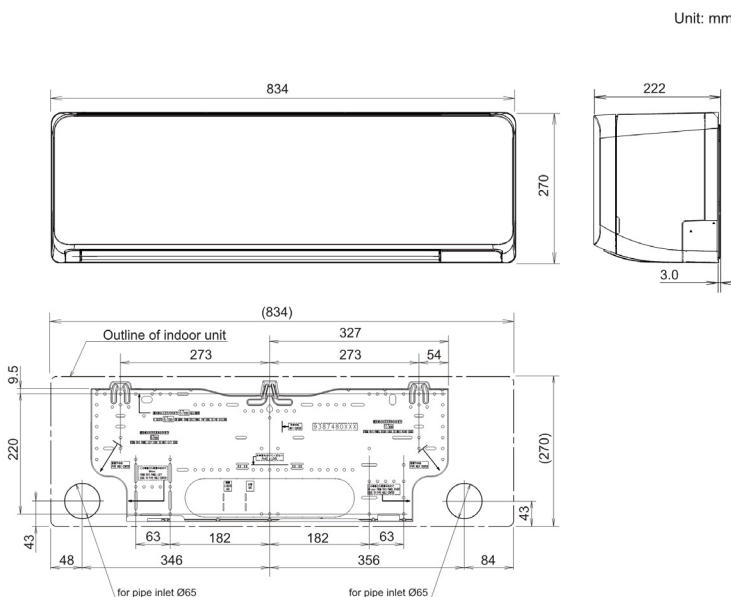


#### Document Downloads

- [Airflow - Fan Curve](#)
- [Controls & Accessories](#)
- [Dimensional Drawing](#)
- [Electrical Characteristics](#)
- [Function Settings](#)
- [Inputs & Outputs](#)
- [Installation Manual](#)
- [Noise Curve](#)
- [Operation Manual](#)
- [Product Image](#)
- [Spare Parts List All Pages](#)
- [Specifications](#)
- [Wiring Diagram](#)

#### Related Items

- [AOYG09KMCC](#) 2.5kW Outdoor Unit - R32 Single Phase
- [AOYG14KBTA2](#) 4.0kW 2 Way Multi Outdoor Unit - R32 1 Ph
- [AOYG18KBTA2](#) 5.0kW 2 Way Multi Outdoor Unit - R32 1 Ph
- [AOYG18KBTA3](#) 5.4kW 3 Way Multi Outdoor Unit - R32 1 Ph
- [AOYG24KBTA3](#) 6.8kW 3 Way Multi Outdoor Unit - R32 1 Ph
- [AOYG30KBTA4](#) 8.0kW 4 Way Multi Outdoor Unit - R32 1 Ph
- [AOYG36KBTA5](#) 10.0kW 5 Way Multi Outdoor Unit - R32 1 Ph
- [AOYG45LBLA6](#) 12.5kW 6 Way Multi Outdoor Unit - R410A 1 Ph
- [UTYTFXW1](#) Wireless LAN interface
- [UTYRVNYM](#) LCD Wired Remote Controller
- [UTYRSNYM](#) Simplified Wired Remote Controller
- [UTYXWZXZ5](#) External Connect Kit
- [UTYTWBXF2](#) Communication Kit
- [UTYTERX](#) External switch controller
- [UTYVTGX](#) Splits Network Converter (DC Powered)
- [UTYVTGXV](#) Splits Network Converter (AC Powered)

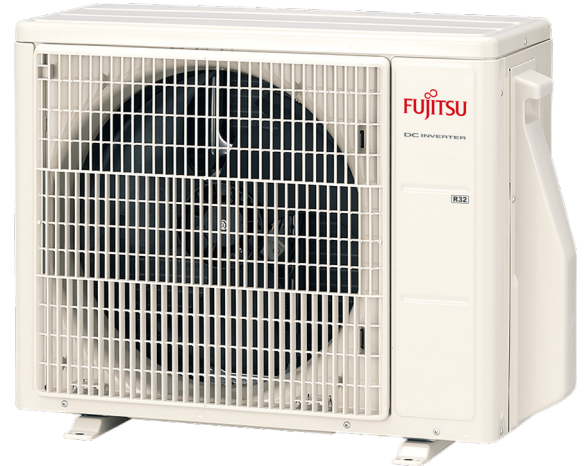


\*Specifications and design are subject to change without notice for further improvement.  
 •Actual products' colors may be different from the colors shown in this printed material.

### AOYG09KMCC

Please visit our [webstore](#) for full product and technical documentation 

Nominal Cooling Capacity	(kW)	2.5
Nominal Heating Capacity	(kW)	2.8
Height	(mm)	541
Width	(mm)	663
Depth	(mm)	290
Weight	(kg)	22
Airflow Rate - Cooling - High	(m3/h)	1650
Airflow Rate - Heating - High	(m3/h)	1450
Sound Pressure Level - Cooling - High	(dB(A))	46
Sound Pressure Level - Heating - High	(dB(A))	46
Sound Power Level - Cooling - High	(dB(A))	61
Sound Power Level - Heating - High	(dB(A))	62
Refrigerant Type (Global Warming Potential)		R32 (675)
Liquid Pipe Size		1/4"
Gas Pipe Size		3/8"
Min - Max Pipe Length	(m)	3 - 20
Max Height Difference	(m)	15
Refrigerant Charge (kg)	(kg)	0.6
Refrigerant CO2eq-T		0.405
Precharged For	(m)	15
Additional Charge (g/m)	(g/m)	20
Unit Power Supply		1Ph-230V-50Hz
Suggested Fuse Size	(A)	10
Cooling Mode Minimum Ambient	(°C)	-10
Cooling Mode Maximum Ambient	(°C)	46
Heating Mode Minimum Ambient	(°C)	-15
Heating Mode Maximum Ambient	(°C)	24



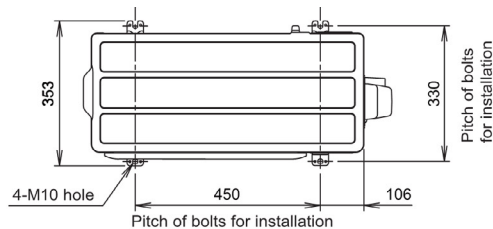
#### Document Downloads

[Accessories](#)
[Airflow](#)
[Capacity Correction](#)
[Charging Details](#)
[Controls & Accessories](#)
[Design & Technical Manual](#)
[Dimensional Drawing](#)
[Electrical Characteristics](#)
[Installation Manual](#)
[Installation Space](#)
[Noise Curve](#)
[Product Image](#)
[Refrigerant Circuit](#)
[Spare Parts List All Pages](#)
[Specifications](#)
[Wiring Diagram](#)

#### Related Items

[ASYG09KMCC](#)

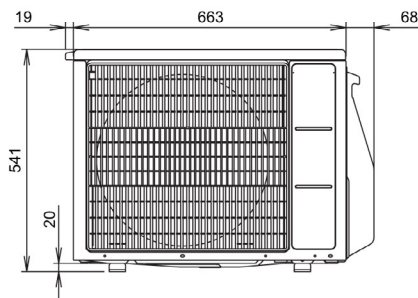
2.5kW Wall Mounted Indoor Unit - R32



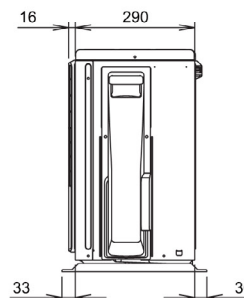
Top view



Side view



Front view



Side view

Units: mm

\*Specifications and design are subject to change without notice for further improvement.  
 \*Actual products' colors may be different from the colors shown in this printed material.

### ASYG12KMCC

Please visit our webstore for full product and technical documentation 

Unit Type	Wall Mounted
Remote Controller	IR Included
Nominal Cooling Capacity (kW)	3.4
Nominal Heating Capacity (kW)	4.0
Height (mm)	270
Width (mm)	834
Depth (mm)	222
Weight (kg)	10
Airflow Rate - Cooling - High (m <sup>3</sup> /h)	700
Airflow Rate - Heating - High (m <sup>3</sup> /h)	780
Sound Pressure Level - Cooling - High (dB(A))	40
Sound Pressure Level - Cooling - Low (dB(A))	20
Sound Pressure Level - Heating - High (dB(A))	42
Sound Pressure Level - Heating - Low (dB(A))	22
Sound Power Level - Cooling - High (dB(A))	55
Sound Power Level - Heating - High (dB(A))	58
Moisture Removal (l/h)	1.8
Refrigerant Type (Global Warming Potential)	R32 (675)
Liquid Pipe Size	1/4"
Gas Pipe Size	3/8"
Unit Power Supply	From Outdoor Unit

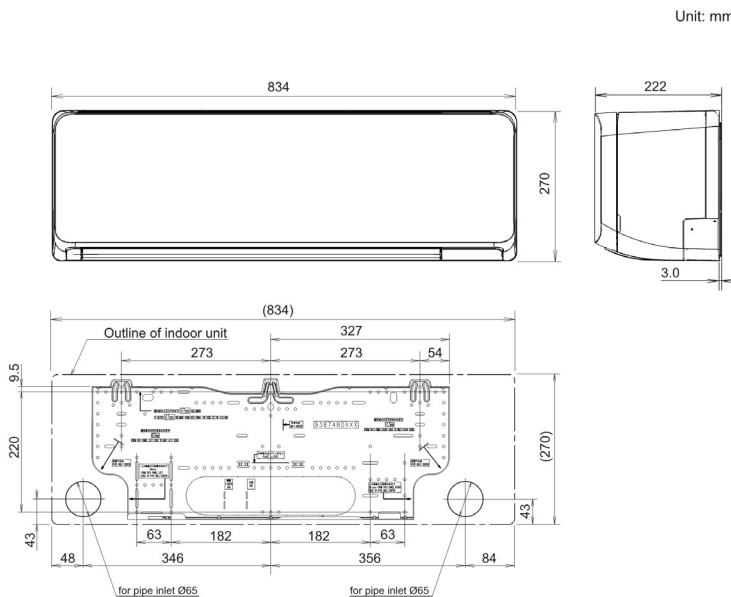


#### Document Downloads

- [Airflow - Fan Curve](#)
- [Controls & Accessories](#)
- [Dimensional Drawing](#)
- [Electrical Characteristics](#)
- [Function Settings](#)
- [Inputs & Outputs](#)
- [Installation Manual](#)
- [Noise Curve](#)
- [Operation Manual](#)
- [Product Image](#)
- [Spare Parts List All Pages](#)
- [Specifications](#)
- [Wiring Diagram](#)

#### Related Items

- [AOYG12KMCC](#) 3.4kW Outdoor Unit - R32 Single Phase
- [AOYG14KBTA2](#) 4.0kW 2 Way Multi Outdoor Unit - R32 1 Ph
- [AOYG18KBTA2](#) 5.0kW 2 Way Multi Outdoor Unit - R32 1 Ph
- [AOYG18KBTA3](#) 5.4kW 3 Way Multi Outdoor Unit - R32 1 Ph
- [AOYG24KBTA3](#) 6.8kW 3 Way Multi Outdoor Unit - R32 1 Ph
- [AOYG30KBTA4](#) 8.0kW 4 Way Multi Outdoor Unit - R32 1 Ph
- [AOYG36KBTA5](#) 10.0kW 5 Way Multi Outdoor Unit - R32 1 Ph
- [AOYG45LBLA6](#) 12.5kW 6 Way Multi Outdoor Unit - R410A 1 Ph
- [UTYTFSXW1](#) Wireless LAN interface
- [UTYRVNYM](#) LCD Wired Remote Controller
- [UTYRSNYM](#) Simplified Wired Remote Controller
- [UTYXWZXZ5](#) External Connect Kit
- [UTYTWBXF2](#) Communication Kit
- [UTYTERX](#) External switch controller
- [UTYVTGX](#) Splits Network Converter (DC Powered)
- [UTYVTGXV](#) Splits Network Converter (AC Powered)



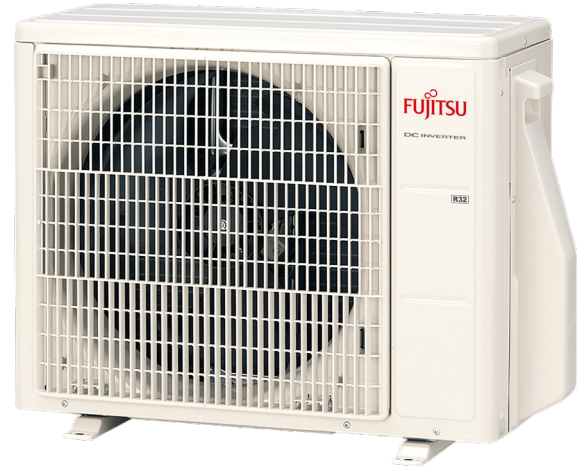
\*Specifications and design are subject to change without notice for further improvement.  
 •Actual products' colors may be different from the colors shown in this printed material.



### AOYG12KMCC

Please visit our [webstore](#) for full product and technical documentation 

Nominal Cooling Capacity	(kW)	3.4
Nominal Heating Capacity	(kW)	4.0
Height	(mm)	541
Width	(mm)	663
Depth	(mm)	290
Weight	(kg)	24
Airflow Rate - Cooling - High	(m <sup>3</sup> /h)	1700
Airflow Rate - Heating - High	(m <sup>3</sup> /h)	1470
Sound Pressure Level - Cooling - High	(dB(A))	50
Sound Pressure Level - Heating - High	(dB(A))	50
Sound Power Level - Cooling - High	(dB(A))	65
Sound Power Level - Heating - High	(dB(A))	65
Refrigerant Type (Global Warming Potential)		R32 (675)
Liquid Pipe Size		1/4"
Gas Pipe Size		3/8"
Min - Max Pipe Length	(m)	3 - 20
Max Height Difference	(m)	15
Refrigerant Charge (kg)	(kg)	0.7
Refrigerant CO <sub>2</sub> eq-T		0.473
Precharged For	(m)	15
Additional Charge (g/m)	(g/m)	20
Unit Power Supply		1Ph-230V-50Hz
Suggested Fuse Size	(A)	10
Cooling Mode Minimum Ambient	(°C)	-10
Cooling Mode Maximum Ambient	(°C)	46
Heating Mode Minimum Ambient	(°C)	-15
Heating Mode Maximum Ambient	(°C)	24



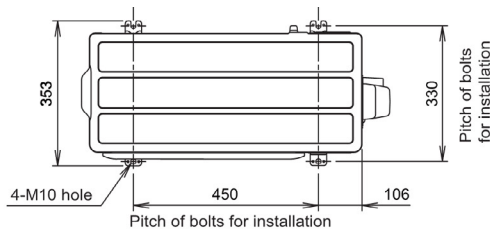
#### Document Downloads

[Accessories](#)
[Airflow](#)
[Capacity Correction](#)
[Charging Details](#)
[Controls & Accessories](#)
[Design & Technical Manual](#)
[Dimensional Drawing](#)
[Electrical Characteristics](#)
[Installation Manual](#)
[Installation Space](#)
[Noise Curve](#)
[Product Image](#)
[Refrigerant Circuit](#)
[Spare Parts List All Pages](#)
[Specifications](#)
[Wiring Diagram](#)

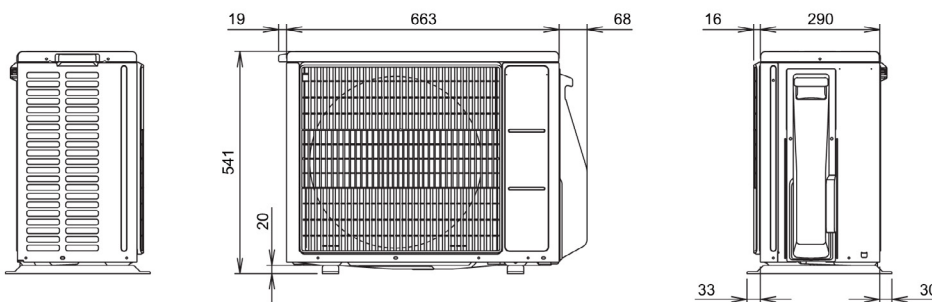
#### Related Items

[ASYG12KMCC](#)

3.4kW Wall Mounted Indoor Unit - R32



Top view



Side view

Front view

Side view

Units: mm

\*Specifications and design are subject to change without notice for further improvement.  
 \*Actual products' colors may be different from the colors shown in this printed material.

### ASYG14KMCC

Please visit our webstore for full product and technical documentation 

Unit Type	Wall Mounted
Remote Controller	IR Included
Nominal Cooling Capacity (kW)	4.2
Nominal Heating Capacity (kW)	5.4
Height (mm)	270
Width (mm)	834
Depth (mm)	222
Weight (kg)	10
Airflow Rate - Cooling - High (m <sup>3</sup> /h)	770
Airflow Rate - Heating - High (m <sup>3</sup> /h)	820
Sound Pressure Level - Cooling - High (dB(A))	43
Sound Pressure Level - Cooling - Low (dB(A))	20
Sound Pressure Level - Heating - High (dB(A))	44
Sound Pressure Level - Heating - Low (dB(A))	24
Sound Power Level - Cooling - High (dB(A))	57
Sound Power Level - Heating - High (dB(A))	59
Moisture Removal (l/h)	2.1
Refrigerant Type (Global Warming Potential)	R32 (675)
Liquid Pipe Size	1/4"
Gas Pipe Size	3/8"
Unit Power Supply	From Outdoor Unit

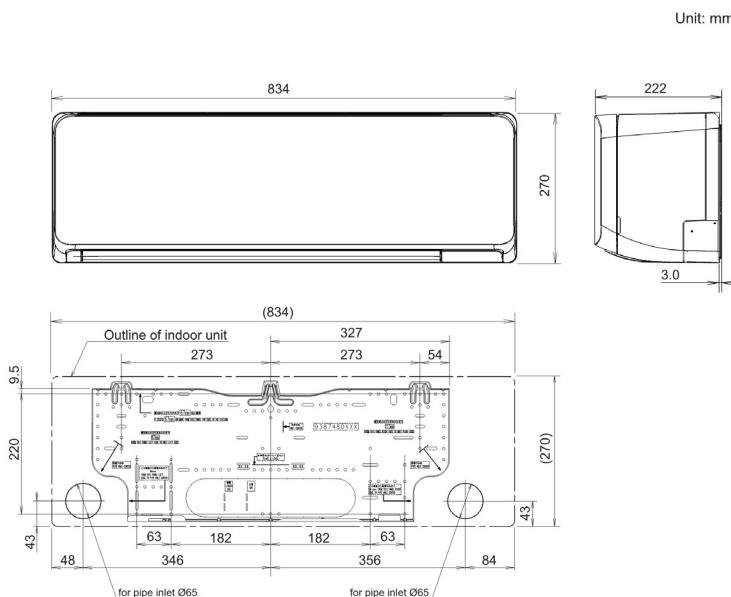


#### Document Downloads

- [Airflow - Fan Curve](#)
- [Controls & Accessories](#)
- [Dimensional Drawing](#)
- [Electrical Characteristics](#)
- [Function Settings](#)
- [Inputs & Outputs](#)
- [Installation Manual](#)
- [Noise Curve](#)
- [Operation Manual](#)
- [Product Image](#)
- [Spare Parts List All Pages](#)
- [Specifications](#)
- [Wiring Diagram](#)

#### Related Items

- [AOYG14KMCC](#) 4.2kW Outdoor Unit - R32 Single Phase
- [AOYG14KBTA2](#) 4.0kW 2 Way Multi Outdoor Unit - R32 1 Ph
- [AOYG18KBTA2](#) 5.0kW 2 Way Multi Outdoor Unit - R32 1 Ph
- [AOYG18KBTA3](#) 5.4kW 3 Way Multi Outdoor Unit - R32 1 Ph
- [AOYG24KBTA3](#) 6.8kW 3 Way Multi Outdoor Unit - R32 1 Ph
- [AOYG30KBTA4](#) 8.0kW 4 Way Multi Outdoor Unit - R32 1 Ph
- [AOYG36KBTA5](#) 10.0kW 5 Way Multi Outdoor Unit - R32 1 Ph
- [AOYG45LBLA6](#) 12.5kW 6 Way Multi Outdoor Unit - R410A 1 Ph
- [UTYTFSXW1](#) Wireless LAN interface
- [UTYRVNYM](#) LCD Wired Remote Controller
- [UTYRSNYM](#) Simplified Wired Remote Controller
- [UTYXWZXZ5](#) External Connect Kit
- [UTYTWBXF2](#) Communication Kit
- [UTYTERX](#) External switch controller
- [UTYVTGX](#) Splits Network Converter (DC Powered)
- [UTYVTGXV](#) Splits Network Converter (AC Powered)



\*Specifications and design are subject to change without notice for further improvement.  
 •Actual products' colors may be different from the colors shown in this printed material.

### AOYG14KMCC

Please visit our [webstore](#) for full product and technical documentation 

Nominal Cooling Capacity	(kW)	4.2
Nominal Heating Capacity	(kW)	5.4
Height	(mm)	542
Width	(mm)	799
Depth	(mm)	290
Weight	(kg)	31
Airflow Rate - Cooling - High	(m <sup>3</sup> /h)	1680
Airflow Rate - Heating - High	(m <sup>3</sup> /h)	1580
Sound Pressure Level - Cooling - High	(dB(A))	50
Sound Pressure Level - Heating - High	(dB(A))	50
Sound Power Level - Cooling - High	(dB(A))	65
Sound Power Level - Heating - High	(dB(A))	66
Refrigerant Type (Global Warming Potential)		R32 (675)
Liquid Pipe Size		1/4"
Gas Pipe Size		3/8"
Min - Max Pipe Length	(m)	3 - 20
Max Height Difference	(m)	15
Refrigerant Charge (kg)	(kg)	0.85
Refrigerant CO <sub>2</sub> eq-T		0.574
Precharged For	(m)	15
Additional Charge (g/m)	(g/m)	20
Unit Power Supply		1Ph-230V-50Hz
Suggested Fuse Size	(A)	10
Cooling Mode Minimum Ambient	(°C)	-10
Cooling Mode Maximum Ambient	(°C)	46
Heating Mode Minimum Ambient	(°C)	-15
Heating Mode Maximum Ambient	(°C)	24



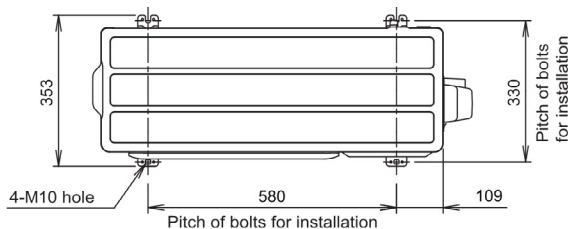
#### Document Downloads

[Accessories](#)
[Airflow](#)
[Capacity Correction](#)
[Charging Details](#)
[Controls & Accessories](#)
[Design & Technical Manual](#)
[Dimensional Drawing](#)
[Electrical Characteristics](#)
[Installation Manual](#)
[Installation Space](#)
[Noise Curve](#)
[Product Image](#)
[Refrigerant Circuit](#)
[Spare Parts List All Pages](#)
[Specifications](#)
[Wiring Diagram](#)

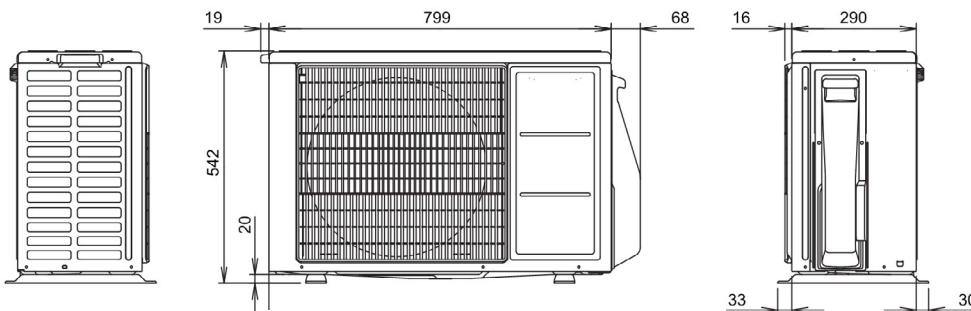
#### Related Items

[ASYG14KMCC](#)

4.2kW Wall Mounted Indoor Unit - R32



Top view



Units: mm

\*Specifications and design are subject to change without notice for further improvement.  
 •Actual products' colors may be different from the colors shown in this printed material.

### ASYG18KMTA

Please visit our webstore for full product and technical documentation 

Unit Type	Remote Controller	Wall Mounted	IR Included
Nominal Cooling Capacity	(kW)	5.2	
Nominal Heating Capacity	(kW)	6.3	
Height	(mm)	280	
Width	(mm)	980	
Depth	(mm)	240	
Weight	(kg)	12.5	
Airflow Rate - Cooling - High	(m <sup>3</sup> /h)	980	
Airflow Rate - Heating - High	(m <sup>3</sup> /h)	1020	
Sound Pressure Level - Cooling - High	(dB(A))	45	
Sound Pressure Level - Cooling - Low	(dB(A))	29	
Sound Pressure Level - Heating - High	(dB(A))	46	
Sound Pressure Level - Heating - Low	(dB(A))	29	
Sound Power Level - Cooling - High	(dB(A))	60	
Sound Power Level - Heating - High	(dB(A))	61	
Moisture Removal	(l/h)	1.7	
Refrigerant Type (Global Warming Potential)		R32 (675)	
Liquid Pipe Size		1/4"	
Gas Pipe Size		1/2"	
Unit Power Supply		From Outdoor Unit	

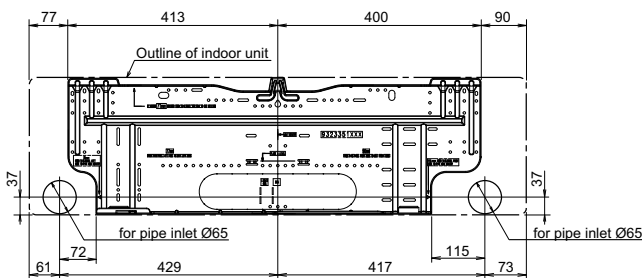
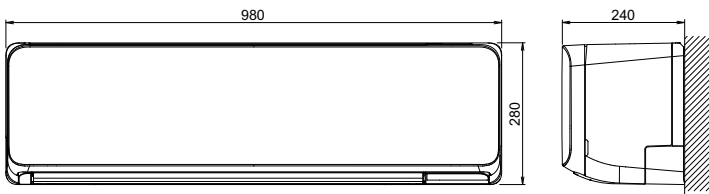


#### Document Downloads

- [Airflow - Fan Curve](#)
- [Controls & Accessories](#)
- [Dimensional Drawing](#)
- [Function Settings](#)
- [Inputs & Outputs](#)
- [Noise Curve](#)
- [Product Image](#)
- [Spare Parts List All Pages](#)
- [Specifications](#)

[Wiring Diagram](#)

Unit: mm



\*Specifications and design are subject to change without notice for further improvement.  
 •Actual products' colors may be different from the colors shown in this printed material.

## ASYG18KMTB

Please visit our webstore for full product and technical documentation 

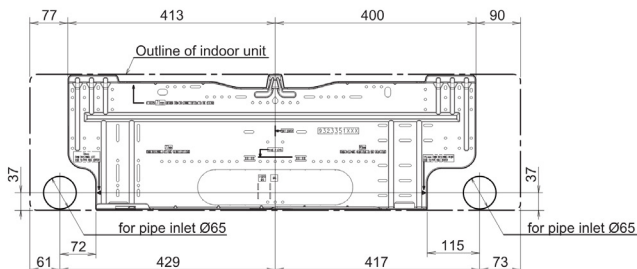
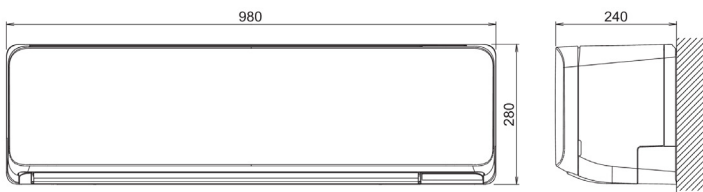
Unit Type	Wall Mounted
Remote Controller	IR Included
Nominal Cooling Capacity (kW)	5.2
Nominal Heating Capacity (kW)	6.3
Height (mm)	280
Width (mm)	980
Depth (mm)	240
Weight (kg)	12.5
Airflow Rate - Cooling - High (m <sup>3</sup> /h)	980
Airflow Rate - Heating - High (m <sup>3</sup> /h)	1020
Sound Pressure Level - Cooling - High (dB(A))	45
Sound Pressure Level - Cooling - Low (dB(A))	29
Sound Pressure Level - Heating - High (dB(A))	46
Sound Pressure Level - Heating - Low (dB(A))	29
Sound Power Level - Cooling - High (dB(A))	60
Sound Power Level - Heating - High (dB(A))	61
Moisture Removal (l/h)	1.7
Refrigerant Type (Global Warming Potential)	R32 (675)
Liquid Pipe Size	1/4"
Gas Pipe Size	1/2"
Unit Power Supply	From Outdoor Unit



### Document Downloads

[Air Distribution](#)
[Airflow](#)
[Controls & Accessories](#)
[Dimensional Drawing](#)
[Electrical Characteristics](#)
[Inputs & Outputs](#)
[Installation Manual](#)
[Noise Curve](#)
[Operation Manual](#)
[Product Image](#)
[Spare Parts List All Pages](#)
[Specifications](#)
[Wiring Diagram](#)

Unit: mm



### Related Items

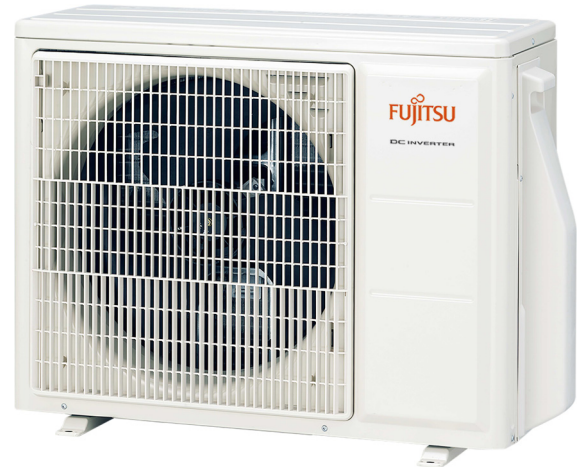
- [AOYG18KMTA](#) 5.2kW Outdoor Unit - R32 Single Phase
- [AOYG18KBTA3](#) 5.4kW 3 Way Multi Outdoor Unit - R32 1 Ph
- [AOYG24KBTA3](#) 6.8kW 3 Way Multi Outdoor Unit - R32 1 Ph
- [AOYG30KBTA4](#) 8.0kW 4 Way Multi Outdoor Unit - R32 1 Ph
- [AOYG36KBTA5](#) 10.0kW 5 Way Multi Outdoor Unit - R32 1 Ph
- [UTYTF SXF2](#) Wireless LAN interface
- [UTYRCRYZ1](#) Compact Simple Remote controller
- [UTYRNRYZ5](#) Touch Screen Remote Controller
- [UTYRHRY](#) Simple Remote Controller (without Master Control)
- [UTYRSRY](#) Simple Remote Controller (with Master Control)
- [UTYTWRXZ2](#) Communication Kit
- [UTYXC SXZ2](#) External Input / Output PCB
- [UTYXWZXZ5](#) External Connect Kit
- [UTYTERX](#) External switch controller
- [UTYVTGX](#) Splits Network Converter (DC Powered)
- [UTYVTGXV](#) Splits Network Converter (AC Powered)

\*Specifications and design are subject to change without notice for further improvement.  
 •Actual products' colors may be different from the colors shown in this printed material.

### AOYG18KMTA

Please visit our [webstore](#) for full product and technical documentation 

Nominal Cooling Capacity	(kW)	5.2
Nominal Heating Capacity	(kW)	6.3
Height	(mm)	632
Width	(mm)	799
Depth	(mm)	290
Weight	(kg)	36
Airflow Rate - Cooling - High	(m <sup>3</sup> /h)	2350
Airflow Rate - Heating - High	(m <sup>3</sup> /h)	2100
Sound Pressure Level - Cooling - High	(dB(A))	50
Sound Pressure Level - Heating - High	(dB(A))	50
Sound Power Level - Cooling - High	(dB(A))	65
Sound Power Level - Heating - High	(dB(A))	65
Refrigerant Type (Global Warming Potential)		R32 (675)
Liquid Pipe Size		1/4"
Gas Pipe Size		1/2"
Min - Max Pipe Length	(m)	3 - 25
Max Height Difference	(m)	20
Refrigerant Charge (kg)	(kg)	1.02
Refrigerant CO <sub>2</sub> eq-T		0.689
Precharged For	(m)	15
Additional Charge (g/m)	(g/m)	20
Unit Power Supply		1Ph-230V-50Hz
Suggested Fuse Size	(A)	16
Cooling Mode Minimum Ambient	(°C)	-10
Cooling Mode Maximum Ambient	(°C)	46
Heating Mode Minimum Ambient	(°C)	-15
Heating Mode Maximum Ambient	(°C)	24



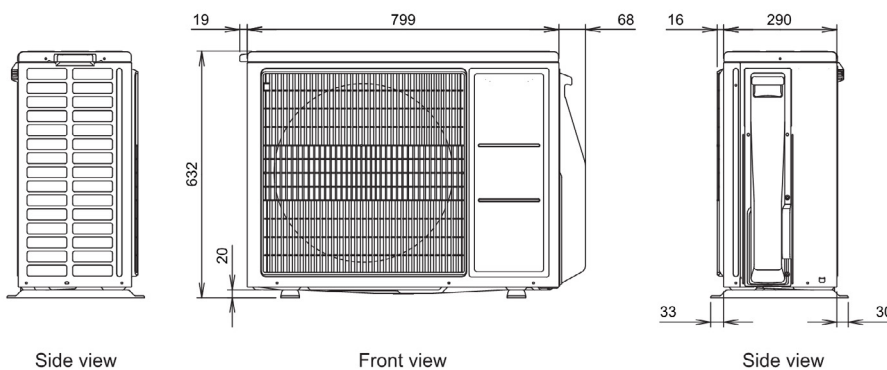
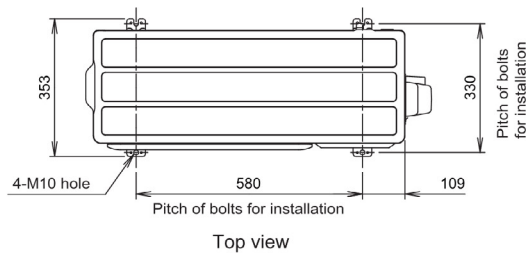
#### Document Downloads

[Accessories](#)
[Airflow](#)
[Capacity Correction](#)
[Charging Details](#)
[Controls & Accessories](#)
[Design & Technical Manual](#)
[Dimensional Drawing](#)
[Electrical Characteristics](#)
[Installation Manual](#)
[Installation Space](#)
[Noise Curve](#)
[Product Image](#)
[Refrigerant Circuit](#)
[Spare Parts List All Pages](#)
[Specifications](#)
[Wiring Diagram](#)

#### Related Items

[ASYG18KMTB](#)

5.2kW Wall Mounted Indoor Unit - R32



Units: mm

\*Specifications and design are subject to change without notice for further improvement.

\*Actual products' colors may be different from the colors shown in this printed material.

### ASYG22KMTB

Please visit our webstore for full product and technical documentation 

Unit Type	Wall Mounted
Remote Controller	IR Included
Nominal Cooling Capacity (kW)	6.0
Nominal Heating Capacity (kW)	
Height (mm)	280
Width (mm)	980
Depth (mm)	240
Weight (kg)	12.5
Airflow Rate - Cooling - High (m <sup>3</sup> /h)	1060
Airflow Rate - Heating - High (m <sup>3</sup> /h)	1060
Sound Pressure Level - Cooling - High (dB(A))	48
Sound Pressure Level - Cooling - Low (dB(A))	29
Sound Pressure Level - Heating - High (dB(A))	48
Sound Pressure Level - Heating - Low (dB(A))	29
Sound Power Level - Cooling - High (dB(A))	62
Sound Power Level - Heating - High (dB(A))	62
Moisture Removal (l/h)	
Refrigerant Type (Global Warming Potential)	R32 (675)
Liquid Pipe Size	1/4"
Gas Pipe Size	1/2"
Unit Power Supply	From Outdoor Unit



#### Document Downloads

[Air Distribution](#)
[Airflow](#)
[Controls & Accessories](#)
[Dimensional Drawing](#)
[Electrical Characteristics](#)
[Inputs & Outputs](#)
[Installation Manual](#)
[Noise Curve](#)
[Operation Manual](#)
[Product Image](#)
[Spare Parts List All Pages](#)
[Specifications](#)
[Wiring Diagram](#)

#### Related Items

[AOYG30KBTA4](#)

8.0kW 4 Way Multi Outdoor Unit - R32 1 Ph

[AOYG36KBTA5](#)

10.0kW 5 Way Multi Outdoor Unit - R32 1 Ph

[UTYTFSXF2](#)

Wireless LAN interface

[UTYRNRZ5](#)

Touch Screen Remote Controller

[UTYRCRYZ1](#)

Compact Simple Remote controller

[UTYRHRV](#)

Simple Remote Controller (without Master Control)

[UTYRSRY](#)

Simple Remote Controller (with Master Control)

[UTYTWRXZ2](#)

Communication Kit

[UTYXCSXZ2](#)

External Input / Output PCB

[UTYXWZXZ5](#)

External Connect Kit

[UTYTERX](#)

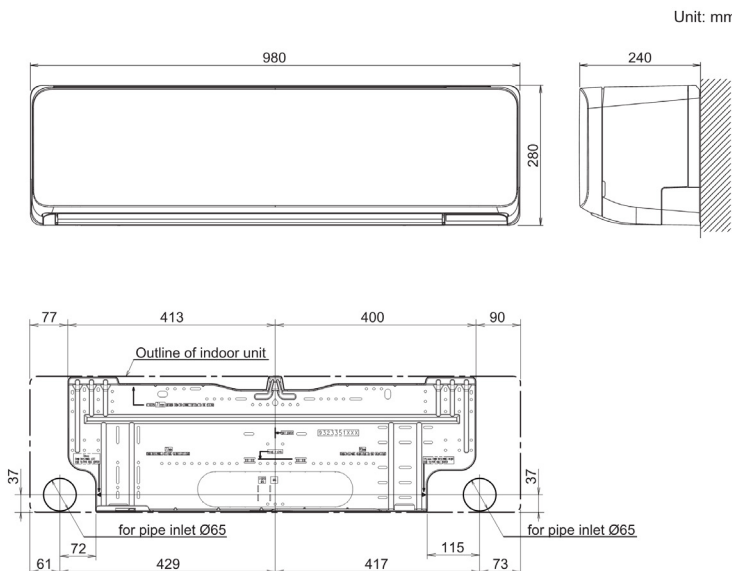
External switch controller

[UTYVTGX](#)

Splits Network Converter (DC Powered)

[UTYVTGXV](#)

Splits Network Converter (AC Powered)



\*Specifications and design are subject to change without notice for further improvement.  
 •Actual products' colors may be different from the colors shown in this printed material.

### ASYG24KMTA

Please visit our webstore for full product and technical documentation 

Unit Type	Remote Controller	Wall Mounted	IR Included
Nominal Cooling Capacity	(kW)	7.1	
Nominal Heating Capacity	(kW)	8.0	
Height	(mm)	280	
Width	(mm)	980	
Depth	(mm)	240	
Weight	(kg)	12.5	
Airflow Rate - Cooling - High	(m <sup>3</sup> /h)	1170	
Airflow Rate - Heating - High	(m <sup>3</sup> /h)	1170	
Sound Pressure Level - Cooling - High	(dB(A))	49	
Sound Pressure Level - Cooling - Low	(dB(A))	29	
Sound Pressure Level - Heating - High	(dB(A))	49	
Sound Pressure Level - Heating - Low	(dB(A))	29	
Sound Power Level - Cooling - High	(dB(A))	65	
Sound Power Level - Heating - High	(dB(A))	65	
Moisture Removal	(l/h)	2.7	
Refrigerant Type (Global Warming Potential)		R32 (675)	
Liquid Pipe Size		1/4"	
Gas Pipe Size		1/2"	
Unit Power Supply		From Outdoor Unit	

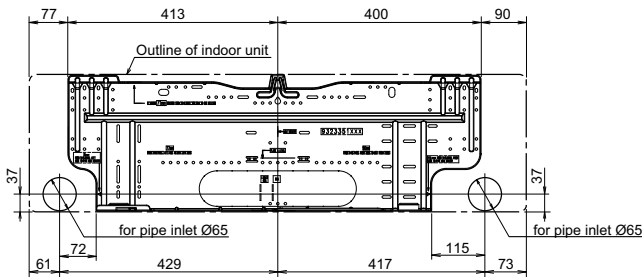
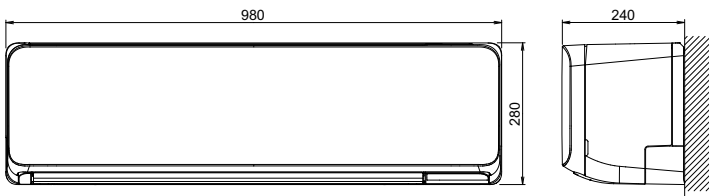


#### Document Downloads

- [Airflow - Fan Curve](#)
- [Controls & Accessories](#)
- [Dimensional Drawing](#)
- [Function Settings](#)
- [Inputs & Outputs](#)
- [Noise Curve](#)
- [Product Image](#)
- [Spare Parts List All Pages](#)
- [Specifications](#)

[Wiring Diagram](#)

Unit: mm



\*Specifications and design are subject to change without notice for further improvement.  
 •Actual products' colors may be different from the colors shown in this printed material.



## ASYG24KMTB

Please visit our webstore for full product and technical documentation 

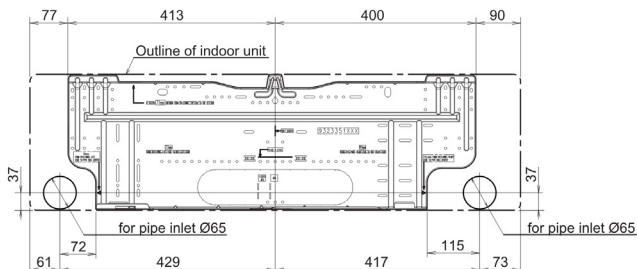
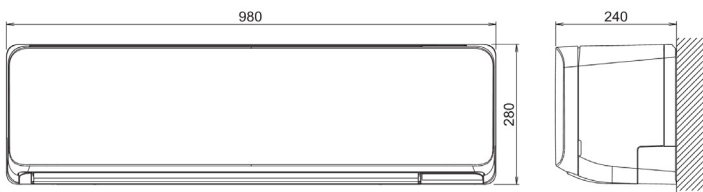
Unit Type	Wall Mounted
Remote Controller	IR Included
Nominal Cooling Capacity (kW)	7.1
Nominal Heating Capacity (kW)	8.0
Height (mm)	280
Width (mm)	980
Depth (mm)	240
Weight (kg)	12.5
Airflow Rate - Cooling - High (m <sup>3</sup> /h)	1170
Airflow Rate - Heating - High (m <sup>3</sup> /h)	1170
Sound Pressure Level - Cooling - High (dB(A))	49
Sound Pressure Level - Cooling - Low (dB(A))	29
Sound Pressure Level - Heating - High (dB(A))	49
Sound Pressure Level - Heating - Low (dB(A))	29
Sound Power Level - Cooling - High (dB(A))	65
Sound Power Level - Heating - High (dB(A))	65
Moisture Removal (l/h)	2.7
Refrigerant Type (Global Warming Potential)	R32 (675)
Liquid Pipe Size	1/4"
Gas Pipe Size	1/2"
Unit Power Supply	From Outdoor Unit



### Document Downloads

[Air Distribution](#)
[Airflow](#)
[Controls & Accessories](#)
[Dimensional Drawing](#)
[Electrical Characteristics](#)
[Inputs & Outputs](#)
[Installation Manual](#)
[Noise Curve](#)
[Operation Manual](#)
[Product Image](#)
[Spare Parts List All Pages](#)
[Specifications](#)
[Wiring Diagram](#)

Unit: mm



### Related Items

[AOYG24KMTA](#)

7.1kW Outdoor Unit - R32 Single Phase

[AOYG30KBTA4](#)

8.0kW 4 Way Multi Outdoor Unit - R32 1 Ph

[AOYG36KBTA5](#)

10.0kW 5 Way Multi Outdoor Unit - R32 1 Ph

[UTYF5XF2](#)

Wireless LAN interface

[UTYRNRZY5](#)

Touch Screen Remote Controller

[UTYRCRYZ1](#)

Compact Simple Remote controller

[UTYRHRY](#)

Simple Remote Controller (without Master Control)

[UTYRSRY](#)

Simple Remote Controller (with Master Control)

[UTYTWRXZ2](#)

Communication Kit

[UTYXCSXZ2](#)

External Input / Output PCB

[UTYXWZXZ5](#)

External Connect Kit

[UTYTERX](#)

External switch controller

[UTYVTGX](#)

Splits Network Converter (DC Powered)

[UTYVTGXV](#)

Splits Network Converter (AC Powered)

\*Specifications and design are subject to change without notice for further improvement.

\*Actual products' colors may be different from the colors shown in this printed material.

### AOYG24KMTA

Please visit our webstore for full product and technical documentation 

Nominal Cooling Capacity	(kW)	7.1
Nominal Heating Capacity	(kW)	8.0
Height	(mm)	716
Width	(mm)	820
Depth	(mm)	315
Weight	(kg)	42
Airflow Rate - Cooling - High	(m3/h)	3240
Airflow Rate - Heating - High	(m3/h)	2820
Sound Pressure Level - Cooling - High	(dB(A))	54
Sound Pressure Level - Heating - High	(dB(A))	52
Sound Power Level - Cooling - High	(dB(A))	67
Sound Power Level - Heating - High	(dB(A))	66
Refrigerant Type (Global Warming Potential)		R32 (675)
Liquid Pipe Size		1/4"
Gas Pipe Size		1/2"
Min - Max Pipe Length	(m)	3 - 30
Max Height Difference	(m)	25
Refrigerant Charge (kg)	(kg)	1.32
Refrigerant CO2eq-T		0.891
Precharged For	(m)	15
Additional Charge (g/m)	(g/m)	20
Unit Power Supply		1Ph-230V-50Hz
Suggested Fuse Size	(A)	16
Cooling Mode Minimum Ambient	(°C)	-10
Cooling Mode Maximum Ambient	(°C)	46
Heating Mode Minimum Ambient	(°C)	-15
Heating Mode Maximum Ambient	(°C)	24



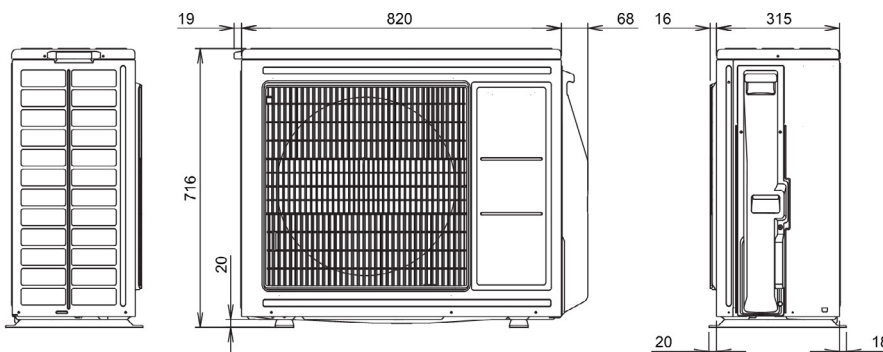
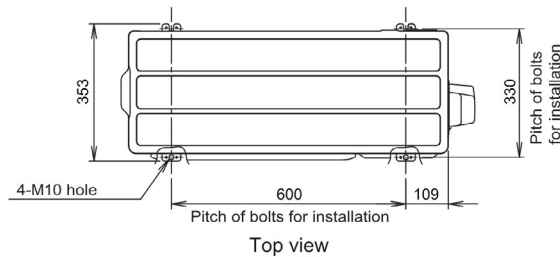
#### Document Downloads

[Accessories](#)
[Airflow](#)
[Capacity Correction](#)
[Charging Details](#)
[Controls & Accessories](#)
[Design & Technical Manual](#)
[Dimensional Drawing](#)
[Electrical Characteristics](#)
[Installation Manual](#)
[Installation Space](#)
[Noise Curve](#)
[Product Image](#)
[Refrigerant Circuit](#)
[Spare Parts List All Pages](#)
[Specifications](#)
[Wiring Diagram](#)

#### Related Items

[ASYG24KMTB](#)

7.1kW Wall Mounted Indoor Unit - R32



Units: mm

\*Specifications and design are subject to change without notice for further improvement.  
 •Actual products' colors may be different from the colors shown in this printed material.

# ASYG30KMTA

Please visit our webstore for full product and technical documentation 

Unit Type	Wall Mounted
Remote Controller	IR Included
Nominal Cooling Capacity (kW)	8.0
Nominal Heating Capacity (kW)	8.8
Height (mm)	340
Width (mm)	1150
Depth (mm)	280
Weight (kg)	18.5
Airflow Rate - Cooling - High (m <sup>3</sup> /h)	1330
Airflow Rate - Heating - High (m <sup>3</sup> /h)	1330
Sound Pressure Level - Cooling - High (dB(A))	50
Sound Pressure Level - Cooling - Low (dB(A))	33
Sound Pressure Level - Heating - High (dB(A))	49
Sound Pressure Level - Heating - Low (dB(A))	33
Sound Power Level - Cooling - High (dB(A))	65
Sound Power Level - Heating - High (dB(A))	65
Moisture Removal (l/h)	2.6
Refrigerant Type (Global Warming Potential)	R32 (675)
Liquid Pipe Size	3/8"
Gas Pipe Size	5/8"
Unit Power Supply	From Outdoor Unit



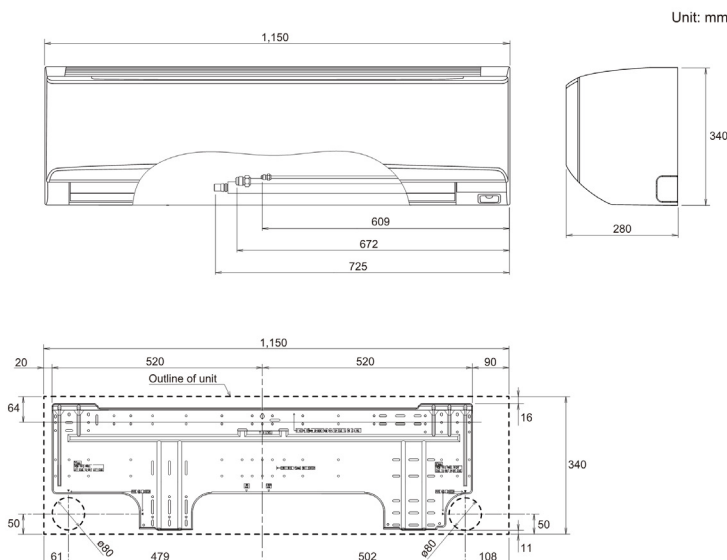
### Document Downloads

- [Airflow - Fan Curve](#)
- [Controls & Accessories](#)
- [Dimensional Drawing](#)
- [Function Settings](#)
- [Inputs & Outputs](#)
- [Installation Manual](#)
- [Noise Curve](#)
- [Operation Manual](#)
- [Product Image](#)

- [Spare Parts List All Pages](#)
- [Specifications](#)
- [Wiring Diagram](#)

### Related Items

- [AOYG30KMTA](#) 8.0kW Outdoor Unit - R32 Single Phase
- [UTYTFSXF2](#) Wireless LAN interface
- [UTYRNRZY5](#) Touch Screen Remote Controller
- [UTYRCRYZ1](#) Compact Simple Remote controller
- [UTYRHRV](#) Simple Remote Controller (without Master Control)
- [UTYRSRY](#) Simple Remote Controller (with Master Control)
- [UTYXWZXZ5](#) External Connect Kit
- [UTYXCSXZ2](#) External Input / Output PCB
- [UTYTWRXZ2](#) Communication Kit
- [UTYTERX](#) External switch controller
- [UTYVTGX](#) Splits Network Converter (DC Powered)
- [UTYVTGXV](#) Splits Network Converter (AC Powered)



\*Specifications and design are subject to change without notice for further improvement.  
 •Actual products' colors may be different from the colors shown in this printed material.

# AOYG30KMTA

Please visit our [webstore](#) for full product and technical documentation 

Nominal Cooling Capacity	(kW)	8.0
Nominal Heating Capacity	(kW)	8.8
Height	(mm)	788
Width	(mm)	940
Depth	(mm)	320
Weight	(kg)	52
Airflow Rate - Cooling - High	(m <sup>3</sup> /h)	3750
Airflow Rate - Heating - High	(m <sup>3</sup> /h)	3750
Sound Pressure Level - Cooling - High	(dB(A))	53
Sound Pressure Level - Heating - High	(dB(A))	55
Sound Power Level - Cooling - High	(dB(A))	68
Sound Power Level - Heating - High	(dB(A))	69
Refrigerant Type (Global Warming Potential)		R32 (675)
Liquid Pipe Size		3/8"
Gas Pipe Size		5/8"
Min - Max Pipe Length	(m)	3 - 50
Max Height Difference	(m)	30
Refrigerant Charge (kg)	(kg)	1.9
Refrigerant CO <sub>2</sub> eq-T		1.283
Precharged For	(m)	30
Additional Charge (g/m)	(g/m)	40
Unit Power Supply		1Ph-230V-50Hz
Suggested Fuse Size	(A)	25
Cooling Mode Minimum Ambient	(°C)	-15
Cooling Mode Maximum Ambient	(°C)	46
Heating Mode Minimum Ambient	(°C)	-15
Heating Mode Maximum Ambient	(°C)	24



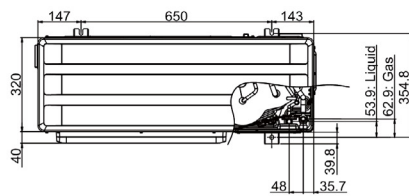
### Document Downloads

[Accessories](#)
[Airflow](#)
[Capacity Correction](#)
[Charging Details](#)
[Controls & Accessories](#)
[Design & Technical Manual](#)
[Dimensional Drawing](#)
[Electrical Characteristics](#)
[Function Settings](#)
[Inputs & Outputs](#)
[Installation Manual](#)
[Installation Space](#)
[Noise Curve](#)
[Product Image](#)
[Refrigerant Circuit](#)
[Spare Parts List All Pages](#)
[Specifications](#)
[Wiring Diagram](#)

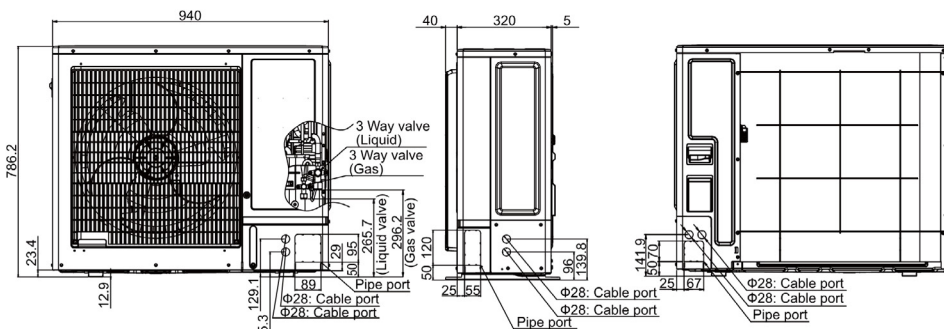
### Related Items

[ASYG30KMTA](#)

8.0kW Wall Mounted Indoor Unit - R32



Top view



Front view

Side view

Rear view

Units: mm

\*Specifications and design are subject to change without notice for further improvement.

\*Actual products' colors may be different from the colors shown in this printed material.

### ASYG36KMTA

Please visit our webstore for full product and technical documentation 

Unit Type	Wall Mounted
Remote Controller	IR Included
Nominal Cooling Capacity (kW)	9.4
Nominal Heating Capacity (kW)	10.1
Height (mm)	340
Width (mm)	1150
Depth (mm)	280
Weight (kg)	18.5
Airflow Rate - Cooling - High (m <sup>3</sup> /h)	1330
Airflow Rate - Heating - High (m <sup>3</sup> /h)	1330
Sound Pressure Level - Cooling - High (dB(A))	50
Sound Pressure Level - Cooling - Low (dB(A))	33
Sound Pressure Level - Heating - High (dB(A))	49
Sound Pressure Level - Heating - Low (dB(A))	33
Sound Power Level - Cooling - High (dB(A))	65
Sound Power Level - Heating - High (dB(A))	65
Moisture Removal (l/h)	3.8
Refrigerant Type (Global Warming Potential)	R32 (675)
Liquid Pipe Size	3/8"
Gas Pipe Size	5/8"
Unit Power Supply	From Outdoor Unit

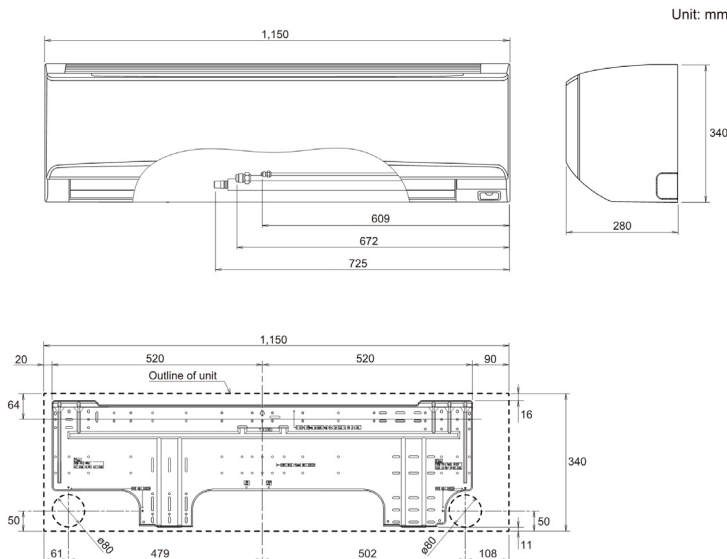


#### Document Downloads

- [Airflow - Fan Curve](#)
- [Controls & Accessories](#)
- [Dimensional Drawing](#)
- [Function Settings](#)
- [Inputs & Outputs](#)
- [Installation Manual](#)
- [Noise Curve](#)
- [Operation Manual](#)
- [Product Image](#)
- [Spare Parts List All Pages](#)
- [Specifications](#)
- [Wiring Diagram](#)

#### Related Items

- [AOYG36KMTA](#) 9.4kW Outdoor Unit - R32 Single Phase
- [UTYTF SXF2](#) Wireless LAN interface
- [UTYRNRYZ5](#) Touch Screen Remote Controller
- [UTYRCRYZ1](#) Compact Simple Remote controller
- [UTYRHRY](#) Simple Remote Controller (without Master Control)
- [UTYRSRY](#) Simple Remote Controller (with Master Control)
- [UTYXWZXZ5](#) External Connect Kit
- [UTYXCSXZ2](#) External Input / Output PCB
- [UTYTWRXZ2](#) Communication Kit
- [UTYTERX](#) External switch controller
- [UTYVTGX](#) Splits Network Converter (DC Powered)
- [UTYVTGXV](#) Splits Network Converter (AC Powered)



\*Specifications and design are subject to change without notice for further improvement.  
 •Actual products' colors may be different from the colors shown in this printed material.

# AOYG36KMTA

Please visit our [webstore](#) for full product and technical documentation 

Nominal Cooling Capacity	(kW)	9.4
Nominal Heating Capacity	(kW)	10.1
Height	(mm)	788
Width	(mm)	940
Depth	(mm)	320
Weight	(kg)	52
Airflow Rate - Cooling - High	(m <sup>3</sup> /h)	3750
Airflow Rate - Heating - High	(m <sup>3</sup> /h)	3750
Sound Pressure Level - Cooling - High	(dB(A))	55
Sound Pressure Level - Heating - High	(dB(A))	55
Sound Power Level - Cooling - High	(dB(A))	70
Sound Power Level - Heating - High	(dB(A))	70
Refrigerant Type (Global Warming Potential)		R32 (675)
Liquid Pipe Size		3/8"
Gas Pipe Size		5/8"
Min - Max Pipe Length	(m)	3 - 50
Max Height Difference	(m)	30
Refrigerant Charge (kg)	(kg)	1.9
Refrigerant CO <sub>2</sub> eq-T		1.283
Precharged For	(m)	30
Additional Charge (g/m)	(g/m)	40
Unit Power Supply		1Ph-230V-50Hz
Suggested Fuse Size	(A)	25
Cooling Mode Minimum Ambient	(°C)	-15
Cooling Mode Maximum Ambient	(°C)	46
Heating Mode Minimum Ambient	(°C)	-15
Heating Mode Maximum Ambient	(°C)	24



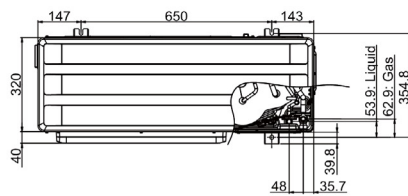
### Document Downloads

[Accessories](#)
[Airflow](#)
[Capacity Correction](#)
[Charging Details](#)
[Controls & Accessories](#)
[Design & Technical Manual](#)
[Dimensional Drawing](#)
[Electrical Characteristics](#)
[Function Settings](#)
[Inputs & Outputs](#)
[Installation Manual](#)
[Installation Space](#)
[Noise Curve](#)
[Product Image](#)
[Refrigerant Circuit](#)
[Spare Parts List All Pages](#)
[Specifications](#)
[Wiring Diagram](#)

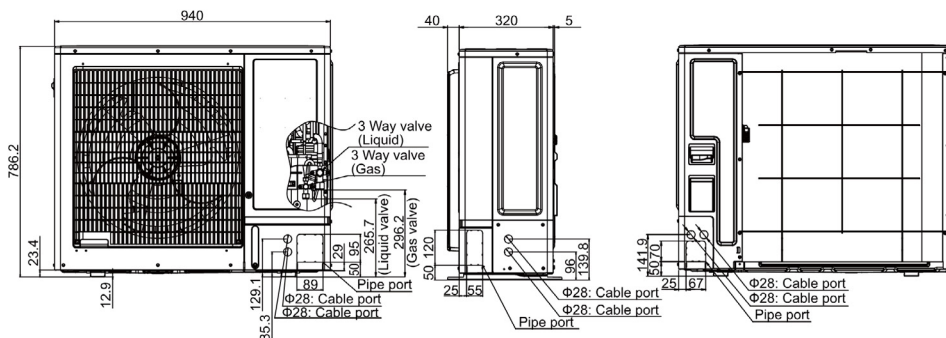
### Related Items

[ASYG36KMTA](#)

9.4kW Wall Mounted Indoor Unit - R32



Top view



Front view

Side view

Rear view

Units: mm

\*Specifications and design are subject to change without notice for further improvement.

\*Actual products' colors may be different from the colors shown in this printed material.



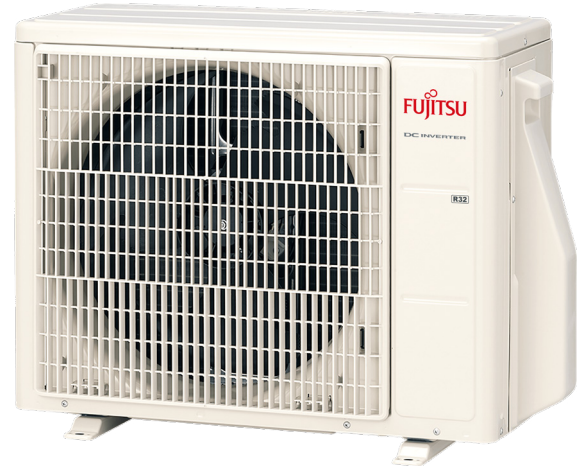




# AOYG07KETA

Please visit our webstore for full product and technical documentation 

Nominal Cooling Capacity	(kW)	2.0
Nominal Heating Capacity	(kW)	2.5
Height	(mm)	541
Width	(mm)	663
Depth	(mm)	290
Weight	(kg)	23
Airflow Rate - Cooling - High	(m3/h)	1650
Airflow Rate - Heating - High	(m3/h)	1450
Sound Pressure Level - Cooling - High	(dB(A))	46
Sound Pressure Level - Heating - High	(dB(A))	46
Sound Power Level - Cooling - High	(dB(A))	61
Sound Power Level - Heating - High	(dB(A))	61
Refrigerant Type (Global Warming Potential)		R32 (675)
Liquid Pipe Size		1/4"
Gas Pipe Size		3/8"
Min - Max Pipe Length	(m)	3 - 20
Max Height Difference	(m)	15
Refrigerant Charge (kg)	(kg)	0.6
Refrigerant CO2eq-T		0.405
Precharged For	(m)	15
Additional Charge (g/m)	(g/m)	20
Unit Power Supply		1Ph-230V-50Hz
Suggested Fuse Size	(A)	10
Cooling Mode Minimum Ambient	(°C)	-10
Cooling Mode Maximum Ambient	(°C)	46
Heating Mode Minimum Ambient	(°C)	-15
Heating Mode Maximum Ambient	(°C)	24



### Document Downloads

[Accessories](#)
[Airflow](#)
[Capacity Correction](#)
[Charging Details](#)
[Controls & Accessories](#)
[Design & Technical Manual](#)
[Dimensional Drawing](#)
[Electrical Characteristics](#)
[Installation Manual](#)
[Installation Space](#)
[Noise Curve](#)
[Product Image](#)
[Refrigerant Circuit](#)
[Spare Parts List All Pages](#)
[Specifications](#)
[Wiring Diagram](#)

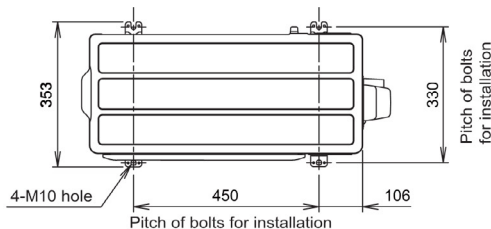
### Related Items

[ASYG07KETA](#)

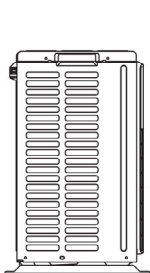
2.0kW White Wall Mounted Indoor Unit - R32

[ASYG07KETAB](#)

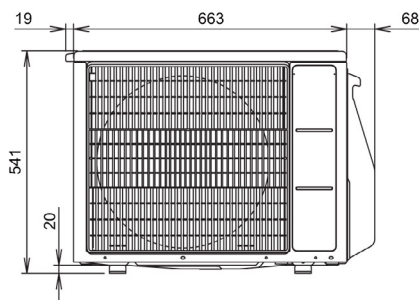
2.0kW Silver Wall Mounted Indoor Unit - R32



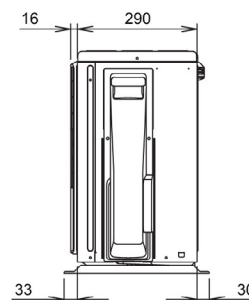
Top view



Side view



Front view



Side view

Units: mm

\*Specifications and design are subject to change without notice for further improvement.

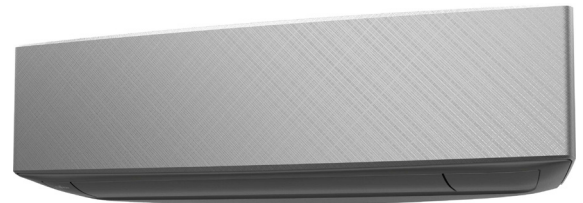
\*Actual products' colors may be different from the colors shown in this printed material.



# ASYG09KETAB

Please visit our webstore for full product and technical documentation 

Unit Type	Wall Mounted
Remote Controller	IR Included
Nominal Cooling Capacity (kW)	2.5
Nominal Heating Capacity (kW)	2.8
Height (mm)	295
Width (mm)	950
Depth (mm)	230
Weight (kg)	11
Airflow Rate - Cooling - High (m <sup>3</sup> /h)	700
Airflow Rate - Heating - High (m <sup>3</sup> /h)	750
Sound Pressure Level - Cooling - High (dB(A))	40
Sound Pressure Level - Cooling - Low (dB(A))	20
Sound Pressure Level - Heating - High (dB(A))	42
Sound Pressure Level - Heating - Low (dB(A))	22
Sound Power Level - Cooling - High (dB(A))	55
Sound Power Level - Heating - High (dB(A))	57
Moisture Removal (l/h)	1.3
Refrigerant Type (Global Warming Potential)	R32 (675)
Liquid Pipe Size	1/4"
Gas Pipe Size	3/8"
Unit Power Supply	From Outdoor Unit

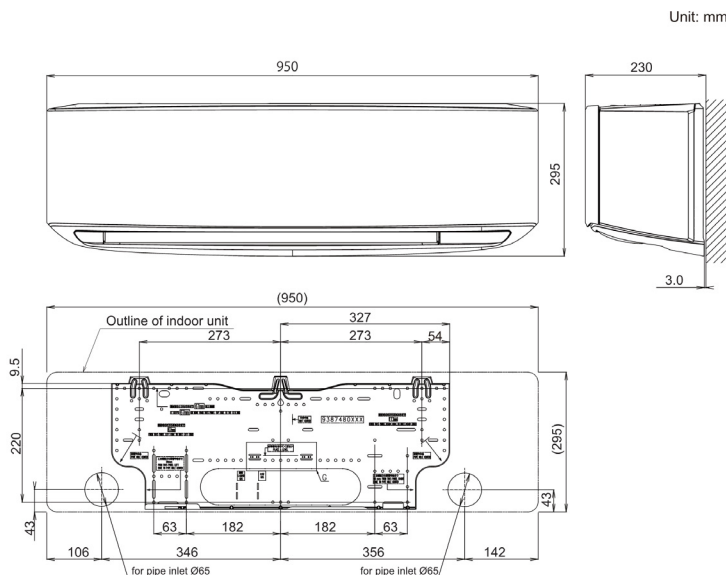


### Document Downloads

- [Airflow - Fan Curve](#)
- [Controls & Accessories](#)
- [Dimensional Drawing](#)
- [Electrical Characteristics](#)
- [Function Settings](#)
- [Inputs & Outputs](#)
- [Installation Manual](#)
- [Noise Curve](#)
- [Operation Manual](#)
- [Product Image](#)
- [Spare Parts List All Pages](#)
- [Specifications](#)
- [Wiring Diagram](#)

### Related Items

- [AOYG09KETA](#) 2.5kW Outdoor Unit - R32 Single Phase
- [AOYG14KBTA2](#) 4.0kW 2 Way Multi Outdoor Unit - R32 1 Ph
- [AOYG18KBTA2](#) 5.0kW 2 Way Multi Outdoor Unit - R32 1 Ph
- [AOYG18KBTA3](#) 5.4kW 3 Way Multi Outdoor Unit - R32 1 Ph
- [AOYG24KBTA3](#) 6.8kW 3 Way Multi Outdoor Unit - R32 1 Ph
- [AOYG30KBTA4](#) 8.0kW 4 Way Multi Outdoor Unit - R32 1 Ph
- [AOYG36KBTA5](#) 10.0kW 5 Way Multi Outdoor Unit - R32 1 Ph
- [UTYTFXSF2](#) Wireless LAN interface
- [UTYRCRYZ1](#) Compact Simple Remote controller
- [UTYRNRZY5](#) Touch Screen Remote Controller
- [UTYRHRV](#) Simple Remote Controller (without Master Control)
- [UTYRSRY](#) Simple Remote Controller (with Master Control)
- [UTYTWRXZ2](#) Communication Kit
- [UTYXCSXZ2](#) External Input / Output PCB
- [UTYXWZXZ5](#) External Connect Kit
- [UTYTERX](#) External switch controller
- [UTYVTGX](#) Splits Network Converter (DC Powered)
- [UTYVTGXV](#) Splits Network Converter (AC Powered)



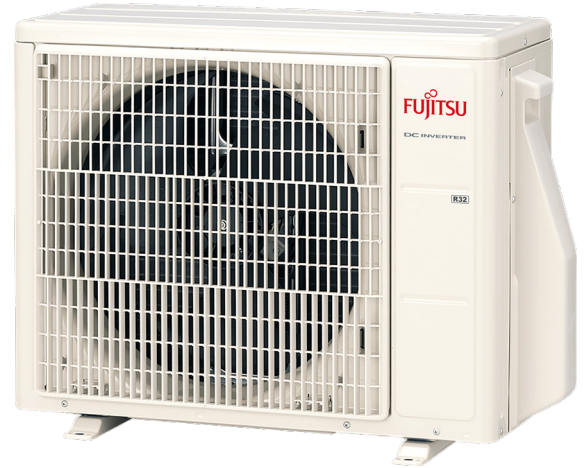
\*Specifications and design are subject to change without notice for further improvement.

\*Actual products' colors may be different from the colors shown in this printed material.

# AOYG09KETA

Please visit our webstore for full product and technical documentation 

Nominal Cooling Capacity	(kW)	2.5
Nominal Heating Capacity	(kW)	2.8
Height	(mm)	541
Width	(mm)	663
Depth	(mm)	290
Weight	(kg)	23
Airflow Rate - Cooling - High	(m3/h)	1650
Airflow Rate - Heating - High	(m3/h)	1450
Sound Pressure Level - Cooling - High	(dB(A))	46
Sound Pressure Level - Heating - High	(dB(A))	46
Sound Power Level - Cooling - High	(dB(A))	61
Sound Power Level - Heating - High	(dB(A))	62
Refrigerant Type (Global Warming Potential)		R32 (675)
Liquid Pipe Size		1/4"
Gas Pipe Size		3/8"
Min - Max Pipe Length	(m)	3 - 20
Max Height Difference	(m)	15
Refrigerant Charge (kg)	(kg)	0.6
Refrigerant CO2eq-T		0.405
Precharged For	(m)	15
Additional Charge (g/m)	(g/m)	20
Unit Power Supply		1Ph-230V-50Hz
Suggested Fuse Size	(A)	10
Cooling Mode Minimum Ambient	(°C)	-10
Cooling Mode Maximum Ambient	(°C)	46
Heating Mode Minimum Ambient	(°C)	-15
Heating Mode Maximum Ambient	(°C)	24



### Document Downloads

[Accessories](#)
[Airflow](#)
[Capacity Correction](#)
[Charging Details](#)
[Controls & Accessories](#)
[Design & Technical Manual](#)
[Dimensional Drawing](#)
[Electrical Characteristics](#)
[Installation Manual](#)
[Installation Space](#)
[Noise Curve](#)
[Product Image](#)
[Refrigerant Circuit](#)
[Spare Parts List All Pages](#)
[Specifications](#)
[Wiring Diagram](#)

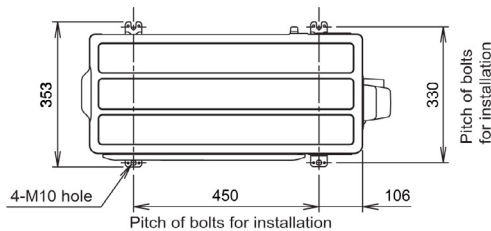
### Related Items

[ASYG09KETA](#)

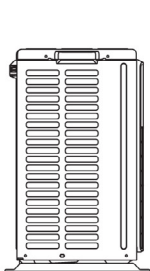
2.5kW White Wall Mounted Indoor Unit - R32

[ASYG09KETAB](#)

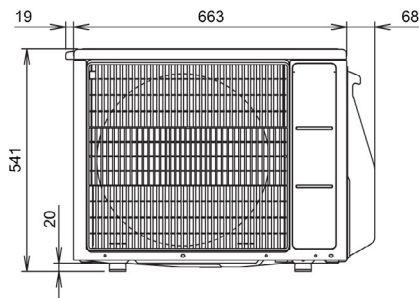
2.5kW Silver Wall Mounted Indoor Unit - R32



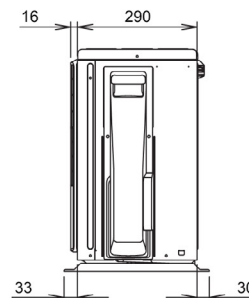
Top view



Side view



Front view



Side view

Units: mm

\*Specifications and design are subject to change without notice for further improvement.  
 \*Actual products' colors may be different from the colors shown in this printed material.

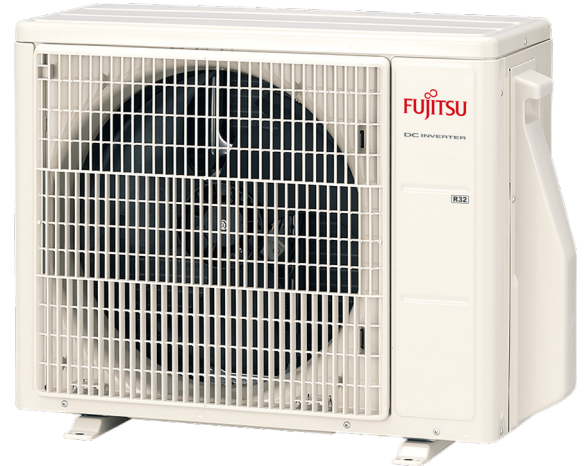




# AOYG12KETA

Please visit our webstore for full product and technical documentation 

Nominal Cooling Capacity	(kW)	3.4
Nominal Heating Capacity	(kW)	4.0
Height	(mm)	541
Width	(mm)	663
Depth	(mm)	290
Weight	(kg)	25
Airflow Rate - Cooling - High	(m3/h)	1700
Airflow Rate - Heating - High	(m3/h)	1470
Sound Pressure Level - Cooling - High	(dB(A))	50
Sound Pressure Level - Heating - High	(dB(A))	50
Sound Power Level - Cooling - High	(dB(A))	65
Sound Power Level - Heating - High	(dB(A))	65
Refrigerant Type (Global Warming Potential)		R32 (675)
Liquid Pipe Size		1/4"
Gas Pipe Size		3/8"
Min - Max Pipe Length	(m)	3 - 20
Max Height Difference	(m)	15
Refrigerant Charge (kg)	(kg)	0.7
Refrigerant CO2eq-T		0.473
Precharged For	(m)	15
Additional Charge (g/m)	(g/m)	20
Unit Power Supply		1Ph-230V-50Hz
Suggested Fuse Size	(A)	10
Cooling Mode Minimum Ambient	(°C)	-10
Cooling Mode Maximum Ambient	(°C)	46
Heating Mode Minimum Ambient	(°C)	-15
Heating Mode Maximum Ambient	(°C)	24



### Document Downloads

[Accessories](#)
[Airflow](#)
[Capacity Correction](#)
[Charging Details](#)
[Controls & Accessories](#)
[Design & Technical Manual](#)
[Dimensional Drawing](#)
[Electrical Characteristics](#)
[Installation Manual](#)
[Installation Space](#)
[Noise Curve](#)
[Product Image](#)
[Refrigerant Circuit](#)
[Spare Parts List All Pages](#)
[Specifications](#)
[Wiring Diagram](#)

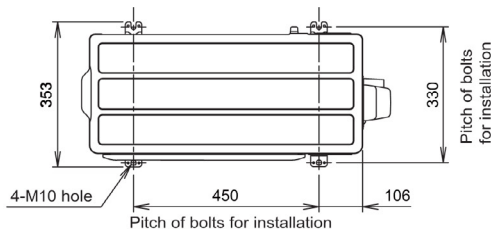
### Related Items

[ASYG12KETA](#)

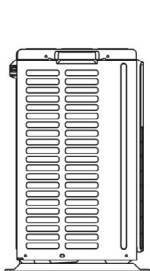
3.4kW White Wall Mounted Indoor Unit - R32

[ASYG12KETAB](#)

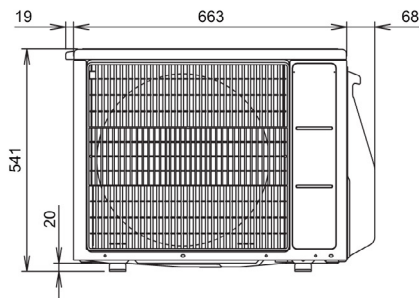
3.4kW Silver Wall Mounted Indoor Unit - R32



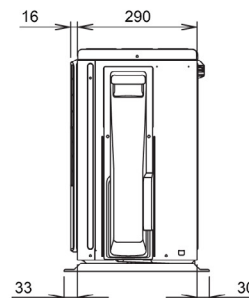
Top view



Side view



Front view



Side view

Units: mm

\*Specifications and design are subject to change without notice for further improvement.  
 \*Actual products' colors may be different from the colors shown in this printed material.

## ASYG14KETA

Please visit our webstore for full product and technical documentation 

Unit Type	Wall Mounted
Remote Controller	IR Included
Nominal Cooling Capacity (kW)	4.2
Nominal Heating Capacity (kW)	5.4
Height (mm)	295
Width (mm)	950
Depth (mm)	230
Weight (kg)	11.5
Airflow Rate - Cooling - High (m <sup>3</sup> /h)	770
Airflow Rate - Heating - High (m <sup>3</sup> /h)	800
Sound Pressure Level - Cooling - High (dB(A))	43
Sound Pressure Level - Cooling - Low (dB(A))	20
Sound Pressure Level - Heating - High (dB(A))	44
Sound Pressure Level - Heating - Low (dB(A))	24
Sound Power Level - Cooling - High (dB(A))	57
Sound Power Level - Heating - High (dB(A))	59
Moisture Removal (l/h)	2.1
Refrigerant Type (Global Warming Potential)	R32 (675)
Liquid Pipe Size	1/4"
Gas Pipe Size	3/8"
Unit Power Supply	From Outdoor Unit

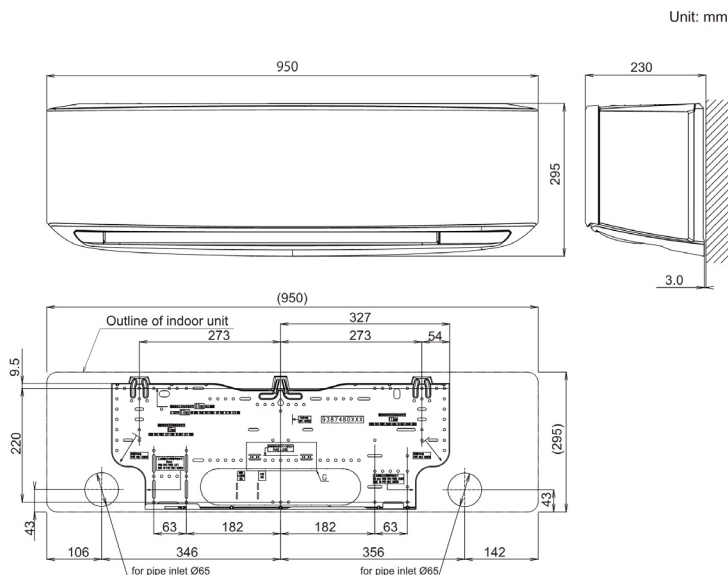


### Document Downloads

- [Airflow - Fan Curve](#)
- [Controls & Accessories](#)
- [Dimensional Drawing](#)
- [Electrical Characteristics](#)
- [Function Settings](#)
- [Inputs & Outputs](#)
- [Installation Manual](#)
- [Noise Curve](#)
- [Operation Manual](#)
- [Product Image](#)
- [Spare Parts List All Pages](#)
- [Specifications](#)
- [Wiring Diagram](#)

### Related Items

- [AOYG14KETA](#) 4.2kW Outdoor Unit - R32 Single Phase
- [AOYG14KBTA2](#) 4.0kW 2 Way Multi Outdoor Unit - R32 1 Ph
- [AOYG18KBTA2](#) 5.0kW 2 Way Multi Outdoor Unit - R32 1 Ph
- [AOYG18KBTA3](#) 5.4kW 3 Way Multi Outdoor Unit - R32 1 Ph
- [AOYG24KBTA3](#) 6.8kW 3 Way Multi Outdoor Unit - R32 1 Ph
- [AOYG30KBTA4](#) 8.0kW 4 Way Multi Outdoor Unit - R32 1 Ph
- [AOYG36KBTA5](#) 10.0kW 5 Way Multi Outdoor Unit - R32 1 Ph
- [UTYTFXSF2](#) Wireless LAN interface
- [UTYRCRYZ1](#) Compact Simple Remote controller
- [UTYRNRZY5](#) Touch Screen Remote Controller
- [UTYRHRV](#) Simple Remote Controller (without Master Control)
- [UTYRSRY](#) Simple Remote Controller (with Master Control)
- [UTYTWRXZ2](#) Communication Kit
- [UTYXCXZ2](#) External Input / Output PCB
- [UTYXWZXZ5](#) External Connect Kit
- [UTYTERX](#) External switch controller
- [UTYVTGX](#) Splits Network Converter (DC Powered)
- [UTYVTGXV](#) Splits Network Converter (AC Powered)



\*Specifications and design are subject to change without notice for further improvement.

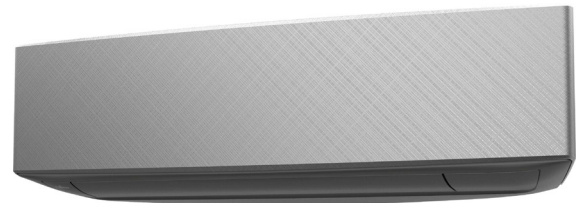
\*Actual products' colors may be different from the colors shown in this printed material.



### ASYG14KETAB

Please visit our webstore for full product and technical documentation 

Unit Type	Wall Mounted
Remote Controller	IR Included
Nominal Cooling Capacity (kW)	4.2
Nominal Heating Capacity (kW)	5.4
Height (mm)	295
Width (mm)	950
Depth (mm)	230
Weight (kg)	11.5
Airflow Rate - Cooling - High (m <sup>3</sup> /h)	770
Airflow Rate - Heating - High (m <sup>3</sup> /h)	800
Sound Pressure Level - Cooling - High (dB(A))	43
Sound Pressure Level - Cooling - Low (dB(A))	20
Sound Pressure Level - Heating - High (dB(A))	44
Sound Pressure Level - Heating - Low (dB(A))	24
Sound Power Level - Cooling - High (dB(A))	57
Sound Power Level - Heating - High (dB(A))	59
Moisture Removal (l/h)	2.1
Refrigerant Type (Global Warming Potential)	R32 (675)
Liquid Pipe Size	1/4"
Gas Pipe Size	3/8"
Unit Power Supply	From Outdoor Unit

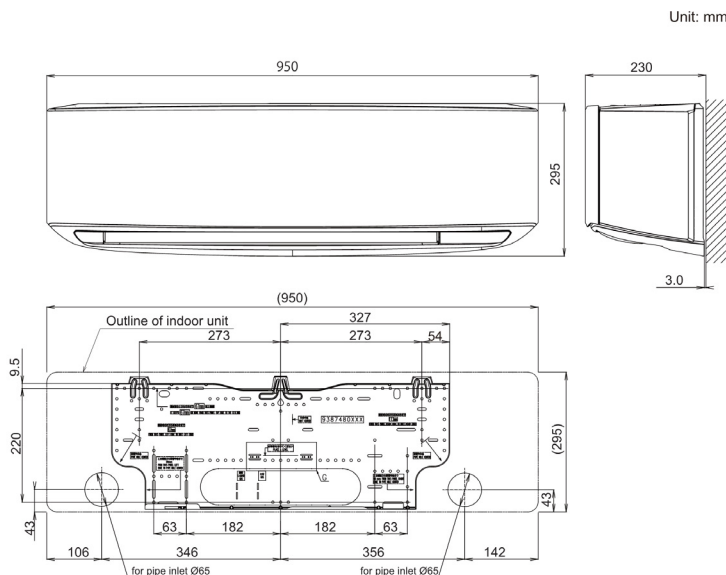


#### Document Downloads

- [Airflow - Fan Curve](#)
- [Controls & Accessories](#)
- [Dimensional Drawing](#)
- [Electrical Characteristics](#)
- [Function Settings](#)
- [Inputs & Outputs](#)
- [Installation Manual](#)
- [Noise Curve](#)
- [Operation Manual](#)
- [Product Image](#)
- [Spare Parts List All Pages](#)
- [Specifications](#)
- [Wiring Diagram](#)

#### Related Items

- [AOYG14KETA](#) 4.2kW Outdoor Unit - R32 Single Phase
- [AOYG14KBTA2](#) 4.0kW 2 Way Multi Outdoor Unit - R32 1 Ph
- [AOYG18KBTA2](#) 5.0kW 2 Way Multi Outdoor Unit - R32 1 Ph
- [AOYG18KBTA3](#) 5.4kW 3 Way Multi Outdoor Unit - R32 1 Ph
- [AOYG24KBTA3](#) 6.8kW 3 Way Multi Outdoor Unit - R32 1 Ph
- [AOYG30KBTA4](#) 8.0kW 4 Way Multi Outdoor Unit - R32 1 Ph
- [AOYG36KBTA5](#) 10.0kW 5 Way Multi Outdoor Unit - R32 1 Ph
- [UTYTFXSF2](#) Wireless LAN interface
- [UTYRCRYZ1](#) Compact Simple Remote controller
- [UTYRNRZY5](#) Touch Screen Remote Controller
- [UTYRHRV](#) Simple Remote Controller (without Master Control)
- [UTYRSRY](#) Simple Remote Controller (with Master Control)
- [UTYTWRXZ2](#) Communication Kit
- [UTYXCSXZ2](#) External Input / Output PCB
- [UTYXWZXZ5](#) External Connect Kit
- [UTYTERX](#) External switch controller
- [UTYVTGX](#) Splits Network Converter (DC Powered)
- [UTYVTGXV](#) Splits Network Converter (AC Powered)



\*Specifications and design are subject to change without notice for further improvement.  
 •Actual products' colors may be different from the colors shown in this printed material.

## AOYG14KETA

Please visit our webstore for full product and technical documentation 

Nominal Cooling Capacity	(kW)	4.2
Nominal Heating Capacity	(kW)	5.4
Height	(mm)	542
Width	(mm)	799
Depth	(mm)	290
Weight	(kg)	31
Airflow Rate - Cooling - High	(m <sup>3</sup> /h)	1680
Airflow Rate - Heating - High	(m <sup>3</sup> /h)	1580
Sound Pressure Level - Cooling - High	(dB(A))	50
Sound Pressure Level - Heating - High	(dB(A))	50
Sound Power Level - Cooling - High	(dB(A))	65
Sound Power Level - Heating - High	(dB(A))	66
Refrigerant Type (Global Warming Potential)		R32 (675)
Liquid Pipe Size		1/4"
Gas Pipe Size		3/8"
Min - Max Pipe Length	(m)	3 - 20
Max Height Difference	(m)	15
Refrigerant Charge (kg)	(kg)	0.85
Refrigerant CO <sub>2</sub> eq-T		0.574
Precharged For	(m)	15
Additional Charge (g/m)	(g/m)	20
Unit Power Supply		1Ph-230V-50Hz
Suggested Fuse Size	(A)	10
Cooling Mode Minimum Ambient	(°C)	-10
Cooling Mode Maximum Ambient	(°C)	46
Heating Mode Minimum Ambient	(°C)	-15
Heating Mode Maximum Ambient	(°C)	24



### Document Downloads

[Accessories](#)
[Airflow](#)
[Capacity Correction](#)
[Charging Details](#)
[Controls & Accessories](#)
[Design & Technical Manual](#)
[Dimensional Drawing](#)
[Electrical Characteristics](#)
[Installation Manual](#)
[Installation Space](#)
[Noise Curve](#)
[Product Image](#)
[Refrigerant Circuit](#)
[Spare Parts List All Pages](#)
[Specifications](#)
[Wiring Diagram](#)

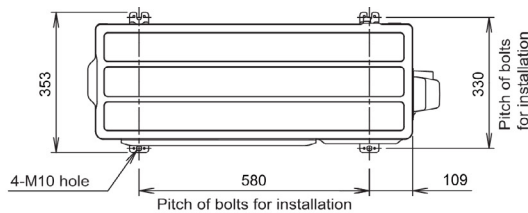
### Related Items

[ASYG14KETA](#)

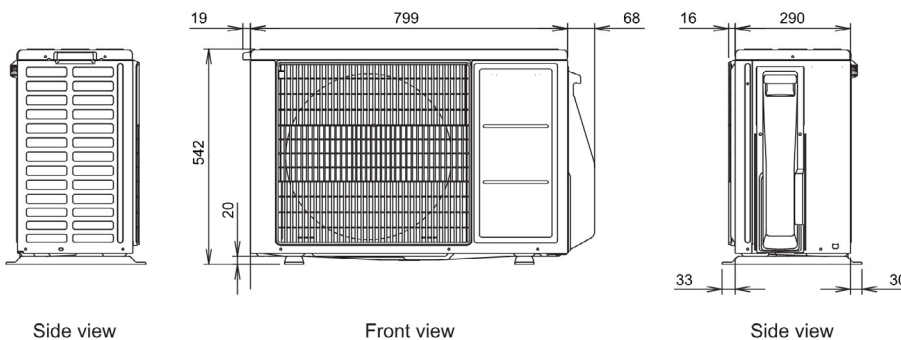
4.2kW White Wall Mounted Indoor Unit - R32

[ASYG14KETAB](#)

4.2kW Silver Wall Mounted Indoor Unit - R32



Top view



Side view

Front view

Side view

Units: mm

\*Specifications and design are subject to change without notice for further improvement.

\*Actual products' colors may be different from the colors shown in this printed material.

### ASYG07KGTB

Please visit our webstore for full product and technical documentation 

Unit Type	Remote Controller	Wall Mounted	IR Included
Nominal Cooling Capacity	(kW)	2.0	
Nominal Heating Capacity	(kW)	2.5	
Height	(mm)	270	
Width	(mm)	834	
Depth	(mm)	215	
Weight	(kg)	10	
Airflow Rate - Cooling - High	(m <sup>3</sup> /h)	650	
Airflow Rate - Heating - High	(m <sup>3</sup> /h)	720	
Sound Pressure Level - Cooling - High	(dB(A))	38	
Sound Pressure Level - Cooling - Low	(dB(A))	19	
Sound Pressure Level - Heating - High	(dB(A))	41	
Sound Pressure Level - Heating - Low	(dB(A))	21	
Sound Power Level - Cooling - High	(dB(A))	54	
Sound Power Level - Heating - High	(dB(A))	56	
Moisture Removal	(l/h)	1	
Refrigerant Type (Global Warming Potential)		R32 (675)	
Liquid Pipe Size		1/4"	
Gas Pipe Size		3/8"	
Unit Power Supply		From Outdoor Unit	

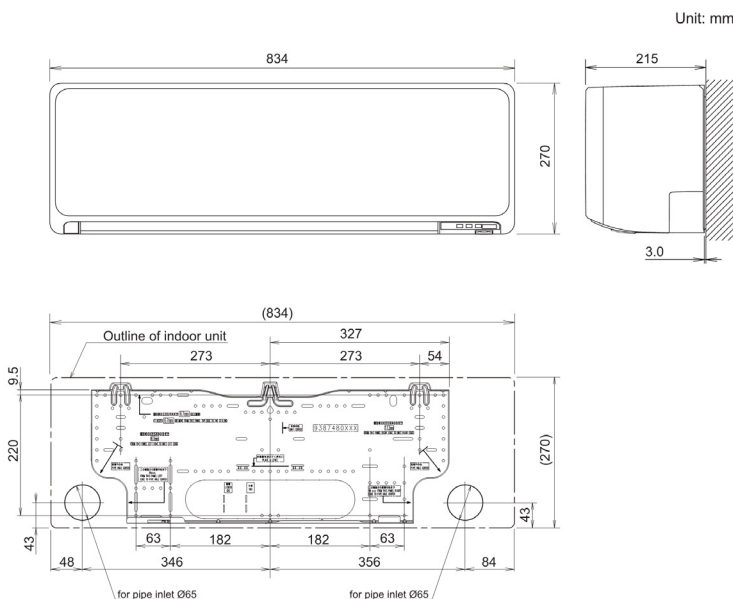


#### Document Downloads

- [Airflow - Fan Curve](#)
- [Controls & Accessories](#)
- [Dimensional Drawing](#)
- [Electrical Characteristics](#)
- [Function Settings](#)
- [Inputs & Outputs](#)
- [Installation Manual](#)
- [Noise Curve](#)
- [Operation Manual](#)
- [Product Image](#)
- [Spare Parts List All Pages](#)
- [Specifications](#)
- [Wiring Diagram](#)

#### Related Items

- [AOYG07KCCA](#) 2.0kW Outdoor Unit - R32 Single Phase
- [AOYG14KBTA2](#) 4.0kW 2 Way Multi Outdoor Unit - R32 1 Ph
- [AOYG18KBTA2](#) 5.0kW 2 Way Multi Outdoor Unit - R32 1 Ph
- [AOYG18KBTA3](#) 5.4kW 3 Way Multi Outdoor Unit - R32 1 Ph
- [AOYG24KBTA3](#) 6.8kW 3 Way Multi Outdoor Unit - R32 1 Ph
- [AOYG30KBTA4](#) 8.0kW 4 Way Multi Outdoor Unit - R32 1 Ph
- [AOYG36KBTA5](#) 10.0kW 5 Way Multi Outdoor Unit - R32 1 Ph
- [UTYF5XW1](#) Wireless LAN interface
- [UTYRCRYZ1](#) Compact Simple Remote controller
- [UTYRNRZY5](#) Touch Screen Remote Controller
- [UTYRHRV](#) Simple Remote Controller (without Master Control)
- [UTYRSRY](#) Simple Remote Controller (with Master Control)
- [UTYTERX](#) External switch controller
- [UTYTWRXZ2](#) Communication Kit
- [UTYXCSXZ2](#) External Input / Output PCB
- [UTYXWZX](#) External Connect Kit
- [UTYVTGX](#) Splits Network Converter (DC Powered)
- [UTYVTGXV](#) Splits Network Converter (AC Powered)

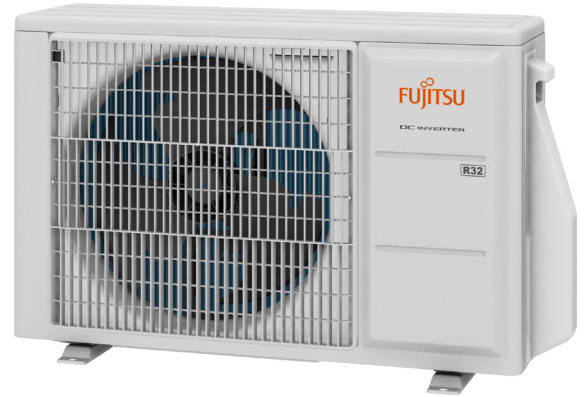


\*Specifications and design are subject to change without notice for further improvement.  
 •Actual products' colors may be different from the colors shown in this printed material.

### AOYG07KGCA

Please visit our webstore for full product and technical documentation 

Nominal Cooling Capacity	(kW)	2.0
Nominal Heating Capacity	(kW)	2.5
Height	(mm)	542
Width	(mm)	799
Depth	(mm)	290
Weight	(kg)	30
Airflow Rate - Cooling - High	(m3/h)	1610
Airflow Rate - Heating - High	(m3/h)	1560
Sound Pressure Level - Cooling - High	(dB(A))	46
Sound Pressure Level - Heating - High	(dB(A))	46
Sound Power Level - Cooling - High	(dB(A))	61
Sound Power Level - Heating - High	(dB(A))	62
Refrigerant Type (Global Warming Potential)		R32 (675)
Liquid Pipe Size		1/4"
Gas Pipe Size		3/8"
Min - Max Pipe Length	(m)	3 - 20
Max Height Difference	(m)	15
Refrigerant Charge (kg)	(kg)	0.75
Refrigerant CO2eq-T		0.506
Precharged For	(m)	15
Additional Charge (g/m)	(g/m)	20
Unit Power Supply		1Ph-230V-50Hz
Suggested Fuse Size	(A)	10
Cooling Mode Minimum Ambient	(°C)	-10
Cooling Mode Maximum Ambient	(°C)	46
Heating Mode Minimum Ambient	(°C)	-15
Heating Mode Maximum Ambient	(°C)	24



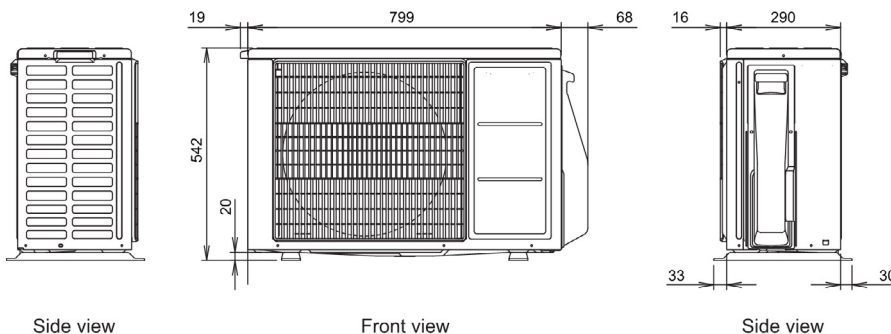
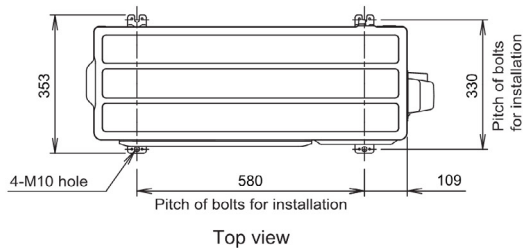
#### Document Downloads

[Accessories](#)
[Airflow](#)
[Capacity Correction](#)
[Charging Details](#)
[Controls & Accessories](#)
[Design & Technical Manual](#)
[Dimensional Drawing](#)
[Electrical Characteristics](#)
[Installation Manual](#)
[Installation Space](#)
[Noise Curve](#)
[Product Image](#)
[Refrigerant Circuit](#)
[Spare Parts List All Pages](#)
[Specifications](#)
[Wiring Diagram](#)

#### Related Items

[ASYG07KGTB](#)

2.0kW Wall Mounted Indoor Unit - R32



Units: mm

\*Specifications and design are subject to change without notice for further improvement.  
 \*Actual products' colors may be different from the colors shown in this printed material.

### ASYG09KGTB

Please visit our webstore for full product and technical documentation 

Unit Type	Remote Controller	Wall Mounted	IR Included
Nominal Cooling Capacity	(kW)	2.5	
Nominal Heating Capacity	(kW)	2.8	
Height	(mm)	270	
Width	(mm)	834	
Depth	(mm)	215	
Weight	(kg)	10	
Airflow Rate - Cooling - High	(m <sup>3</sup> /h)	700	
Airflow Rate - Heating - High	(m <sup>3</sup> /h)	750	
Sound Pressure Level - Cooling - High	(dB(A))	40	
Sound Pressure Level - Cooling - Low	(dB(A))	19	
Sound Pressure Level - Heating - High	(dB(A))	42	
Sound Pressure Level - Heating - Low	(dB(A))	21	
Sound Power Level - Cooling - High	(dB(A))	55	
Sound Power Level - Heating - High	(dB(A))	57	
Moisture Removal	(l/h)	1.3	
Refrigerant Type (Global Warming Potential)		R32 (675)	
Liquid Pipe Size		1/4"	
Gas Pipe Size		3/8"	
Unit Power Supply		From Outdoor Unit	

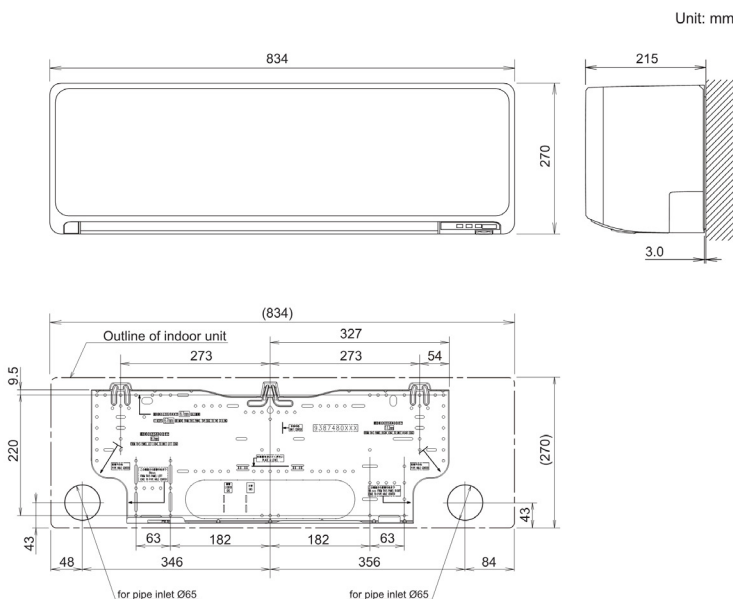


#### Document Downloads

- [Airflow - Fan Curve](#)
- [Controls & Accessories](#)
- [Dimensional Drawing](#)
- [Electrical Characteristics](#)
- [Function Settings](#)
- [Inputs & Outputs](#)
- [Installation Manual](#)
- [Noise Curve](#)
- [Operation Manual](#)
- [Product Image](#)
- [Spare Parts List All Pages](#)
- [Specifications](#)
- [Wiring Diagram](#)

#### Related Items

- [AOYG09KCCA](#) 2.5kW Outdoor Unit - R32 Single Phase
- [AOYG14KBTA2](#) 4.0kW 2 Way Multi Outdoor Unit - R32 1 Ph
- [AOYG18KBTA2](#) 5.0kW 2 Way Multi Outdoor Unit - R32 1 Ph
- [AOYG18KBTA3](#) 5.4kW 3 Way Multi Outdoor Unit - R32 1 Ph
- [AOYG24KBTA3](#) 6.8kW 3 Way Multi Outdoor Unit - R32 1 Ph
- [AOYG30KBTA4](#) 8.0kW 4 Way Multi Outdoor Unit - R32 1 Ph
- [AOYG36KBTA5](#) 10.0kW 5 Way Multi Outdoor Unit - R32 1 Ph
- [UTYF5XW1](#) Wireless LAN interface
- [UTYRCRYZ1](#) Compact Simple Remote controller
- [UTYRNRZY5](#) Touch Screen Remote Controller
- [UTYRHRV](#) Simple Remote Controller (without Master Control)
- [UTYRSRY](#) Simple Remote Controller (with Master Control)
- [UTYTERX](#) External switch controller
- [UTYTWRXZ2](#) Communication Kit
- [UTYXCSXZ2](#) External Input / Output PCB
- [UTYXWZX](#) External Connect Kit
- [UTYVTGX](#) Splits Network Converter (DC Powered)
- [UTYVTGXV](#) Splits Network Converter (AC Powered)

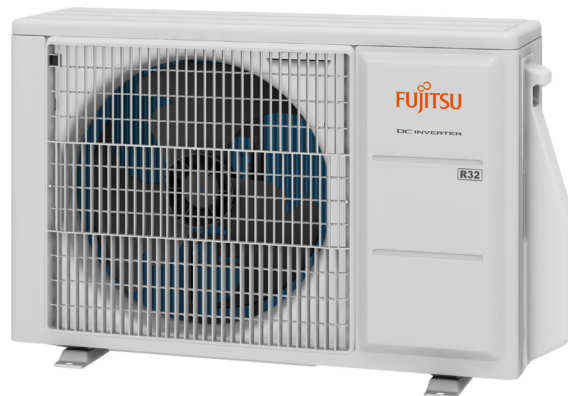


\*Specifications and design are subject to change without notice for further improvement.  
 •Actual products' colors may be different from the colors shown in this printed material.

### AOYG09KGCA

Please visit our webstore for full product and technical documentation 

Nominal Cooling Capacity	(kW)	2.5
Nominal Heating Capacity	(kW)	2.8
Height	(mm)	542
Width	(mm)	799
Depth	(mm)	290
Weight	(kg)	30
Airflow Rate - Cooling - High	(m3/h)	1610
Airflow Rate - Heating - High	(m3/h)	1610
Sound Pressure Level - Cooling - High	(dB(A))	46
Sound Pressure Level - Heating - High	(dB(A))	48
Sound Power Level - Cooling - High	(dB(A))	61
Sound Power Level - Heating - High	(dB(A))	63
Refrigerant Type (Global Warming Potential)		R32 (675)
Liquid Pipe Size		1/4"
Gas Pipe Size		3/8"
Min - Max Pipe Length	(m)	3 - 20
Max Height Difference	(m)	15
Refrigerant Charge (kg)	(kg)	0.75
Refrigerant CO2eq-T		0.506
Precharged For	(m)	15
Additional Charge (g/m)	(g/m)	20
Unit Power Supply		1Ph-230V-50Hz
Suggested Fuse Size	(A)	10
Cooling Mode Minimum Ambient	(°C)	-10
Cooling Mode Maximum Ambient	(°C)	46
Heating Mode Minimum Ambient	(°C)	-15
Heating Mode Maximum Ambient	(°C)	24

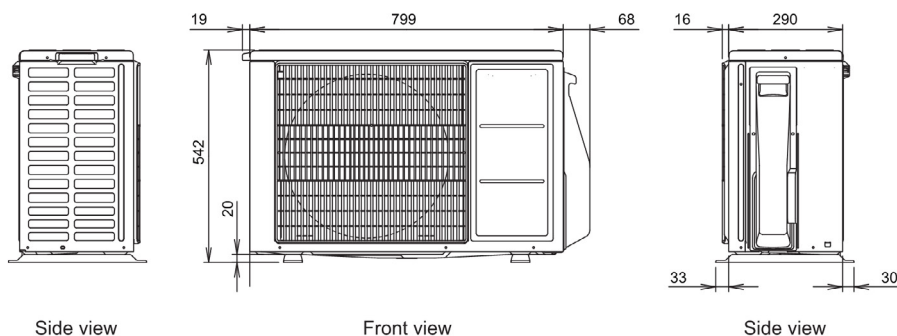
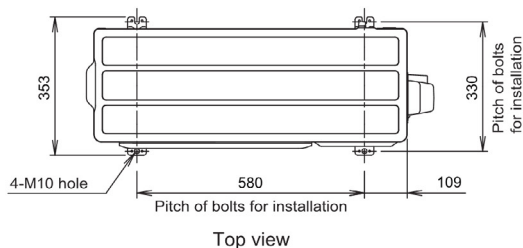


#### Document Downloads

- [Accessories](#)
- [Airflow](#)
- [Capacity Correction](#)
- [Charging Details](#)
- [Controls & Accessories](#)
- [Design & Technical Manual](#)
- [Dimensional Drawing](#)
- [Electrical Characteristics](#)
- [Installation Manual](#)
- [Installation Space](#)
- [Noise Curve](#)
- [Product Image](#)
- [Refrigerant Circuit](#)
- [Spare Parts List All Pages](#)
- [Specifications](#)
- [Wiring Diagram](#)

#### Related Items

- [ASYG09KGTB](#) 2.5kW Wall Mounted Indoor Unit - R32



Units: mm

\*Specifications and design are subject to change without notice for further improvement.  
 \*Actual products' colors may be different from the colors shown in this printed material.

### ASYG12KGTB

Please visit our webstore for full product and technical documentation 

Unit Type	Wall Mounted
Remote Controller	IR Included
Nominal Cooling Capacity (kW)	3.4
Nominal Heating Capacity (kW)	4.0
Height (mm)	270
Width (mm)	834
Depth (mm)	215
Weight (kg)	10
Airflow Rate - Cooling - High (m <sup>3</sup> /h)	700
Airflow Rate - Heating - High (m <sup>3</sup> /h)	770
Sound Pressure Level - Cooling - High (dB(A))	40
Sound Pressure Level - Cooling - Low (dB(A))	19
Sound Pressure Level - Heating - High (dB(A))	42
Sound Pressure Level - Heating - Low (dB(A))	21
Sound Power Level - Cooling - High (dB(A))	56
Sound Power Level - Heating - High (dB(A))	58
Moisture Removal (l/h)	1.8
Refrigerant Type (Global Warming Potential)	R32 (675)
Liquid Pipe Size	1/4"
Gas Pipe Size	3/8"
Unit Power Supply	From Outdoor Unit

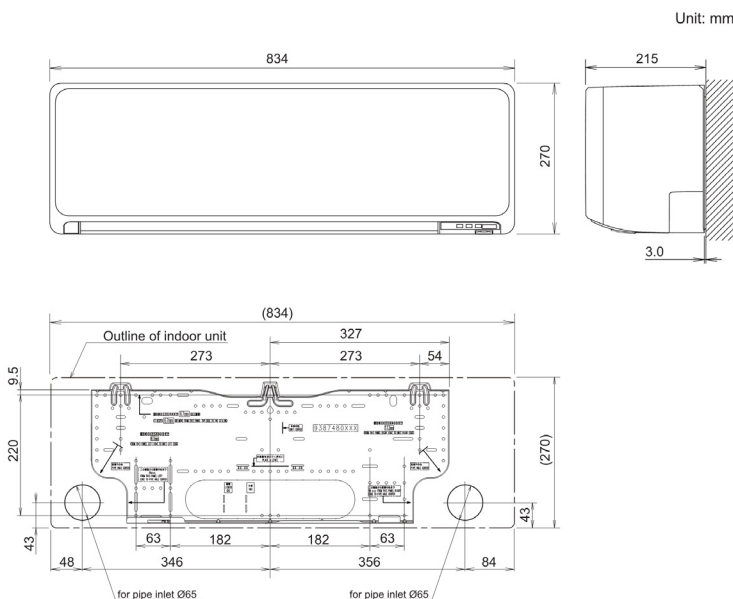


#### Document Downloads

- [Airflow - Fan Curve](#)
- [Controls & Accessories](#)
- [Dimensional Drawing](#)
- [Electrical Characteristics](#)
- [Function Settings](#)
- [Inputs & Outputs](#)
- [Installation Manual](#)
- [Noise Curve](#)
- [Operation Manual](#)
- [Product Image](#)
- [Spare Parts List All Pages](#)
- [Specifications](#)
- [Wiring Diagram](#)

#### Related Items

- [AOYG12KCCA](#) 3.4kW Outdoor Unit - R32 Single Phase
- [AOYG14KBTA2](#) 4.0kW 2 Way Multi Outdoor Unit - R32 1 Ph
- [AOYG18KBTA2](#) 5.0kW 2 Way Multi Outdoor Unit - R32 1 Ph
- [AOYG18KBTA3](#) 5.4kW 3 Way Multi Outdoor Unit - R32 1 Ph
- [AOYG24KBTA3](#) 6.8kW 3 Way Multi Outdoor Unit - R32 1 Ph
- [AOYG30KBTA4](#) 8.0kW 4 Way Multi Outdoor Unit - R32 1 Ph
- [AOYG36KBTA5](#) 10.0kW 5 Way Multi Outdoor Unit - R32 1 Ph
- [UTYF5XW1](#) Wireless LAN interface
- [UTYRCRYZ1](#) Compact Simple Remote controller
- [UTYRNRZY5](#) Touch Screen Remote Controller
- [UTYRHRV](#) Simple Remote Controller (without Master Control)
- [UTYRSRY](#) Simple Remote Controller (with Master Control)
- [UTYTERX](#) External switch controller
- [UTYTWRXZ2](#) Communication Kit
- [UTYXCSXZ2](#) External Input / Output PCB
- [UTYXWZX](#) External Connect Kit
- [UTYVTGX](#) Splits Network Converter (DC Powered)
- [UTYVTGXV](#) Splits Network Converter (AC Powered)



\*Specifications and design are subject to change without notice for further improvement.

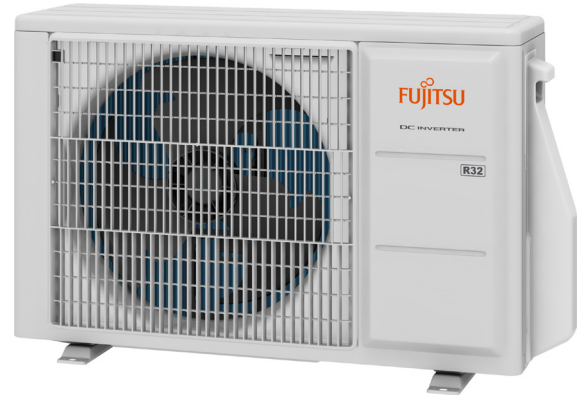
\*Actual products' colors may be different from the colors shown in this printed material.

### AOYG12KGCA

Please visit our webstore for full product and technical documentation



Nominal Cooling Capacity	(kW)	3.4
Nominal Heating Capacity	(kW)	4.0
Height	(mm)	542
Width	(mm)	799
Depth	(mm)	290
Weight	(kg)	31
Airflow Rate - Cooling - High	(m3/h)	1680
Airflow Rate - Heating - High	(m3/h)	1580
Sound Pressure Level - Cooling - High	(dB(A))	50
Sound Pressure Level - Heating - High	(dB(A))	50
Sound Power Level - Cooling - High	(dB(A))	65
Sound Power Level - Heating - High	(dB(A))	66
Refrigerant Type (Global Warming Potential)		R32 (675)
Liquid Pipe Size		1/4"
Gas Pipe Size		3/8"
Min - Max Pipe Length	(m)	3 - 20
Max Height Difference	(m)	15
Refrigerant Charge (kg)	(kg)	0.85
Refrigerant CO2eq-T		0.574
Precharged For	(m)	15
Additional Charge (g/m)	(g/m)	20
Unit Power Supply		1Ph-230V-50Hz
Suggested Fuse Size	(A)	10
Cooling Mode Minimum Ambient	(°C)	-10
Cooling Mode Maximum Ambient	(°C)	46
Heating Mode Minimum Ambient	(°C)	-15
Heating Mode Maximum Ambient	(°C)	24



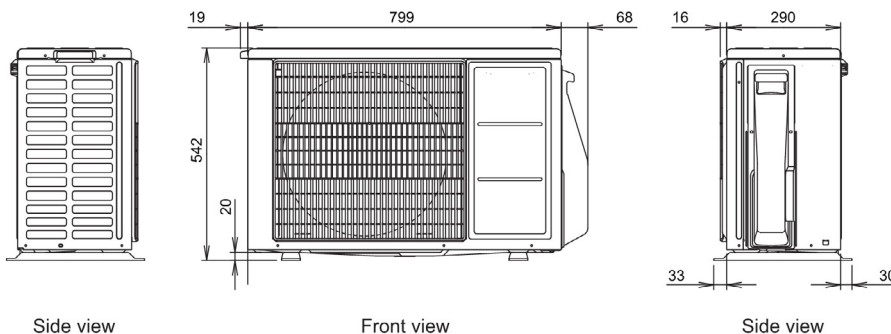
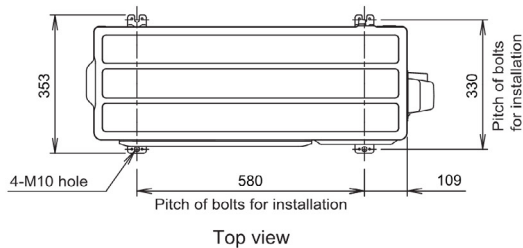
#### Document Downloads

[Accessories](#)
[Airflow](#)
[Capacity Correction](#)
[Charging Details](#)
[Controls & Accessories](#)
[Design & Technical Manual](#)
[Dimensional Drawing](#)
[Electrical Characteristics](#)
[Installation Manual](#)
[Installation Space](#)
[Noise Curve](#)
[Product Image](#)
[Refrigerant Circuit](#)
[Spare Parts List All Pages](#)
[Specifications](#)
[Wiring Diagram](#)

#### Related Items

[ASYG12KGTB](#)

3.4kW Wall Mounted Indoor Unit - R32



Units: mm

\*Specifications and design are subject to change without notice for further improvement.  
 \*Actual products' colors may be different from the colors shown in this printed material.



### ASYG14KGTB

Please visit our webstore for full product and technical documentation 

Unit Type	Wall Mounted
Remote Controller	IR Included
Nominal Cooling Capacity (kW)	4.2
Nominal Heating Capacity (kW)	5.4
Height (mm)	270
Width (mm)	834
Depth (mm)	215
Weight (kg)	10
Airflow Rate - Cooling - High (m <sup>3</sup> /h)	770
Airflow Rate - Heating - High (m <sup>3</sup> /h)	800
Sound Pressure Level - Cooling - High (dB(A))	43
Sound Pressure Level - Cooling - Low (dB(A))	20
Sound Pressure Level - Heating - High (dB(A))	44
Sound Pressure Level - Heating - Low (dB(A))	24
Sound Power Level - Cooling - High (dB(A))	57
Sound Power Level - Heating - High (dB(A))	59
Moisture Removal (l/h)	2.1
Refrigerant Type (Global Warming Potential)	R32 (675)
Liquid Pipe Size	1/4"
Gas Pipe Size	3/8"
Unit Power Supply	From Outdoor Unit

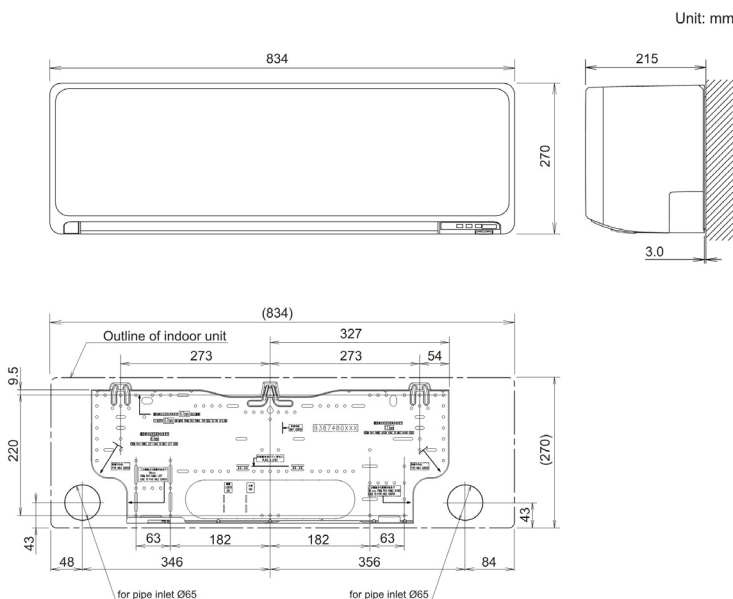


#### Document Downloads

- [Airflow - Fan Curve](#)
- [Controls & Accessories](#)
- [Dimensional Drawing](#)
- [Electrical Characteristics](#)
- [Function Settings](#)
- [Inputs & Outputs](#)
- [Installation Manual](#)
- [Noise Curve](#)
- [Operation Manual](#)
- [Product Image](#)
- [Spare Parts List All Pages](#)
- [Specifications](#)
- [Wiring Diagram](#)

#### Related Items

- [AOYG14KCCA](#) 4.2kW Outdoor Unit - R32 Single Phase
- [AOYG14KBTA2](#) 4.0kW 2 Way Multi Outdoor Unit - R32 1 Ph
- [AOYG18KBTA2](#) 5.0kW 2 Way Multi Outdoor Unit - R32 1 Ph
- [AOYG18KBTA3](#) 5.4kW 3 Way Multi Outdoor Unit - R32 1 Ph
- [AOYG24KBTA3](#) 6.8kW 3 Way Multi Outdoor Unit - R32 1 Ph
- [AOYG30KBTA4](#) 8.0kW 4 Way Multi Outdoor Unit - R32 1 Ph
- [AOYG36KBTA5](#) 10.0kW 5 Way Multi Outdoor Unit - R32 1 Ph
- [UTYFCSXW1](#) Wireless LAN interface
- [UTYRCRYZ1](#) Compact Simple Remote controller
- [UTYRNRZY5](#) Touch Screen Remote Controller
- [UTYRHRV](#) Simple Remote Controller (without Master Control)
- [UTYRSRY](#) Simple Remote Controller (with Master Control)
- [UTYTERX](#) External switch controller
- [UTYTWRXZ2](#) Communication Kit
- [UTYXCSXZ2](#) External Input / Output PCB
- [UTYXWZX](#) External Connect Kit
- [UTYVTGX](#) Splits Network Converter (DC Powered)
- [UTYVTGXV](#) Splits Network Converter (AC Powered)

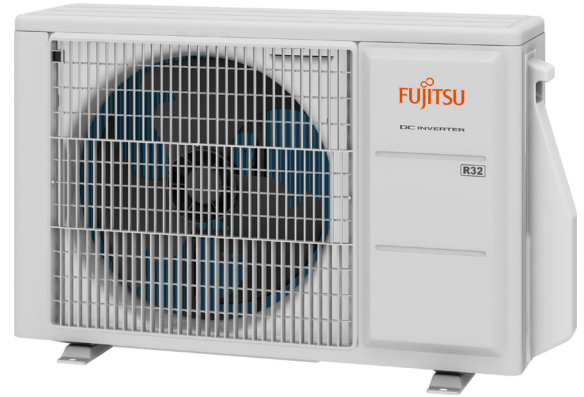


\*Specifications and design are subject to change without notice for further improvement.  
 •Actual products' colors may be different from the colors shown in this printed material.

### AOYG14KGCA

Please visit our [webstore](#) for full product and technical documentation 

Nominal Cooling Capacity	(kW)	4.2
Nominal Heating Capacity	(kW)	5.4
Height	(mm)	542
Width	(mm)	799
Depth	(mm)	290
Weight	(kg)	32
Airflow Rate - Cooling - High	(m3/h)	1680
Airflow Rate - Heating - High	(m3/h)	1580
Sound Pressure Level - Cooling - High	(dB(A))	50
Sound Pressure Level - Heating - High	(dB(A))	50
Sound Power Level - Cooling - High	(dB(A))	65
Sound Power Level - Heating - High	(dB(A))	66
Refrigerant Type (Global Warming Potential)		R32 (675)
Liquid Pipe Size		1/4"
Gas Pipe Size		3/8"
Min - Max Pipe Length	(m)	3 - 20
Max Height Difference	(m)	15
Refrigerant Charge (kg)	(kg)	0.85
Refrigerant CO2eq-T		0.574
Precharged For	(m)	15
Additional Charge (g/m)	(g/m)	20
Unit Power Supply		1Ph-230V-50Hz
Suggested Fuse Size	(A)	10
Cooling Mode Minimum Ambient	(°C)	-10
Cooling Mode Maximum Ambient	(°C)	46
Heating Mode Minimum Ambient	(°C)	-15
Heating Mode Maximum Ambient	(°C)	24



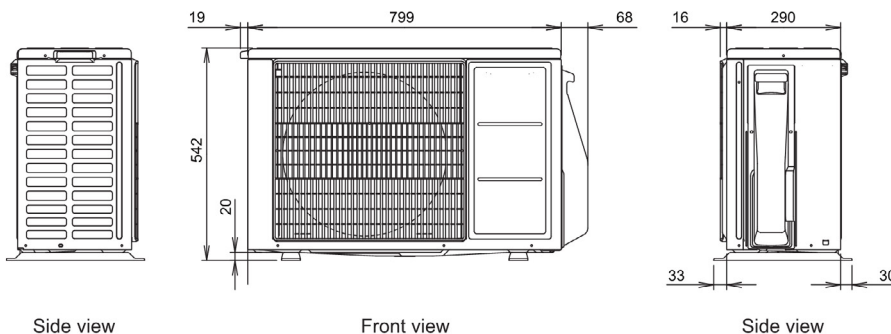
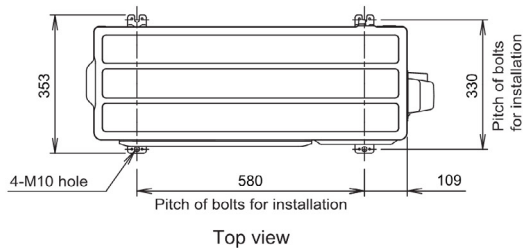
#### Document Downloads

[Accessories](#)
[Airflow](#)
[Capacity Correction](#)
[Charging Details](#)
[Controls & Accessories](#)
[Design & Technical Manual](#)
[Dimensional Drawing](#)
[Electrical Characteristics](#)
[Installation Manual](#)
[Installation Space](#)
[Noise Curve](#)
[Product Image](#)
[Refrigerant Circuit](#)
[Spare Parts List All Pages](#)
[Specifications](#)
[Wiring Diagram](#)

#### Related Items

[ASYG14KGTB](#)

4.2kW Wall Mounted Indoor Unit - R32



Units: mm

\*Specifications and design are subject to change without notice for further improvement.

\*Actual products' colors may be different from the colors shown in this printed material.

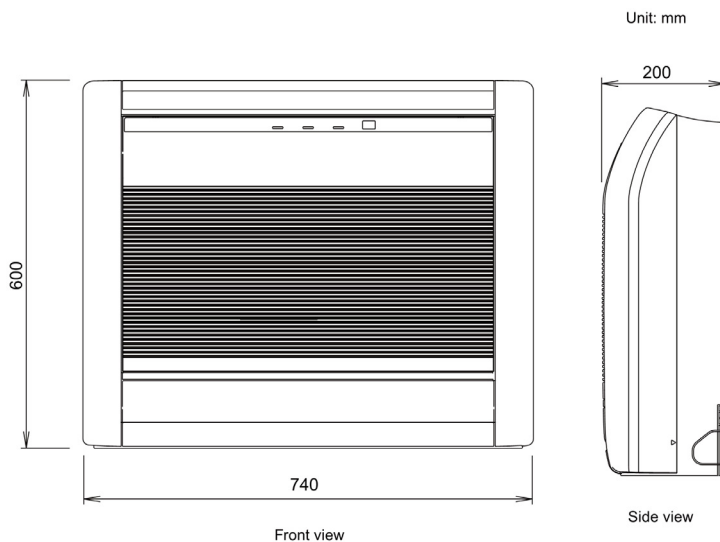
## AGYG09KVCA

Please visit our webstore for full product and technical documentation 

Unit Type	Floor Standing
Remote Controller	IR Included
Nominal Cooling Capacity (kW)	2.6
Nominal Heating Capacity (kW)	3.5
Height (mm)	600
Width (mm)	740
Depth (mm)	200
Weight (kg)	14
Airflow Rate - Cooling - High (m3/h)	570
Airflow Rate - Heating - High (m3/h)	600
Sound Pressure Level - Cooling - High (dB(A))	40
Sound Pressure Level - Cooling - Low (dB(A))	29
Sound Pressure Level - Heating - High (dB(A))	41
Sound Pressure Level - Heating - Low (dB(A))	29
Refrigerant Type (Global Warming Potential)	R32 (675)
Liquid Pipe Size	1/4"
Gas Pipe Size	3/8"
Unit Power Supply	From Outdoor Unit



### Document Downloads

[Airflow - Fan Curve](#)
[Controls & Accessories](#)
[Dimensional Drawing](#)
[Electrical Characteristics](#)
[Function Settings](#)
[Inputs & Outputs](#)
[Installation Manual](#)
[Noise Curve](#)
[Operation Manual](#)
[Product Image](#)
[Spare Parts List All Pages](#)
[Specifications](#)
[Wiring Diagram](#)


### Related Items

[AOYG09KVCA](#)
[AOYG14KBTA2](#)
[AOYG18KBTA2](#)
[AOYG18KBTA3](#)
[AOYG24KBTA3](#)
[AOYG30KBTA4](#)
[AOYG36KBTA5](#)
[UTYRNRZY5](#)
[UTYTFXSZ1](#)
[UTYRCRYZ1](#)
[UTYRHRV](#)
[UTYRSRY](#)
[UTYTERX](#)
[UTYVTGX](#)
[UTYVTGXV](#)
[UTYTWRXZ3](#)
[UTYXWZXZ5](#)

2.6kW Outdoor Unit - R32 Single Phase

4.0kW 2 Way Multi Outdoor Unit - R32 1 Ph

5.0kW 2 Way Multi Outdoor Unit - R32 1 Ph

5.4kW 3 Way Multi Outdoor Unit - R32 1 Ph

6.8kW 3 Way Multi Outdoor Unit - R32 1 Ph

8.0kW 4 Way Multi Outdoor Unit - R32 1 Ph

10.0kW 5 Way Multi Outdoor Unit - R32 1 Ph

Touch Screen Remote Controller

Wireless LAN interface

Compact Simple Remote controller

Simple Remote Controller (without Master Control)

Simple Remote Controller (with Master Control)

External switch controller

Splits Network Converter (DC Powered)

Splits Network Converter (AC Powered)

External Connect Kit

External Connect Kit

\*Specifications and design are subject to change without notice for further improvement.

\*Actual products' colors may be different from the colors shown in this printed material.

# AOYG09KVCA

Please visit our webstore for full product and technical documentation 

Nominal Cooling Capacity	(kW)	2.6
Nominal Heating Capacity	(kW)	3.5
Height	(mm)	542
Width	(mm)	799
Depth	(mm)	290
Weight	(kg)	36
Airflow Rate - Cooling - High	(m <sup>3</sup> /h)	1530
Airflow Rate - Heating - High	(m <sup>3</sup> /h)	1510
Sound Pressure Level - Cooling - High	(dB(A))	43
Sound Pressure Level - Heating - High	(dB(A))	47
Sound Power Level - Cooling - High	(dB(A))	58
Sound Power Level - Heating - High	(dB(A))	61
Refrigerant Type (Global Warming Potential)		R32 (675)
Liquid Pipe Size		1/4"
Gas Pipe Size		3/8"
Min - Max Pipe Length	(m)	3 - 20
Max Height Difference	(m)	15
Refrigerant Charge (kg)	(kg)	0.85
Refrigerant CO <sub>2</sub> eq-T		0.574
Precharged For	(m)	15
Additional Charge (g/m)	(g/m)	20
Unit Power Supply		1Ph-230V-50Hz
Suggested Fuse Size	(A)	10
Cooling Mode Minimum Ambient	(°C)	-10
Cooling Mode Maximum Ambient	(°C)	46
Heating Mode Minimum Ambient	(°C)	-15
Heating Mode Maximum Ambient	(°C)	24



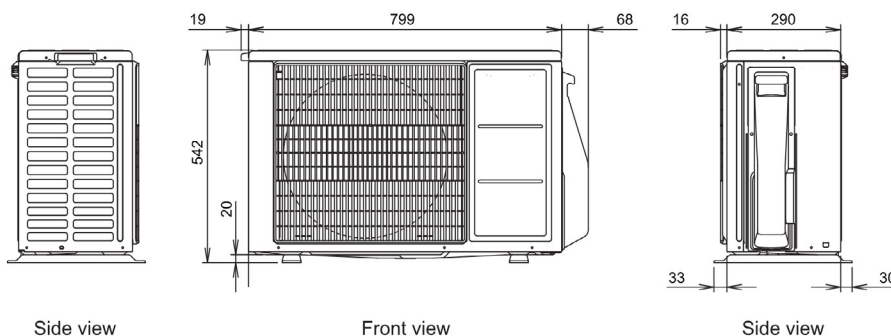
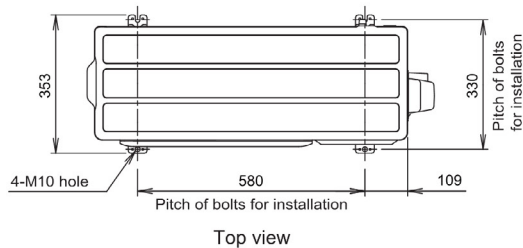
### Document Downloads

[Airflow](#)
[Capacity Correction](#)
[Controls & Accessories](#)
[Dimensional Drawing](#)
[Electrical Characteristics](#)
[Installation Manual](#)
[Noise Curve](#)
[Product Image](#)
[Refrigerant Circuit](#)
[Spare Parts List All Pages](#)
[Specifications](#)
[Wiring Diagram](#)

### Related Items

[AGYG09KVCA](#)

2.6kW Floor Standing Indoor Unit - R32



Units: mm

\*Specifications and design are subject to change without notice for further improvement.  
 \*Actual products' colors may be different from the colors shown in this printed material.

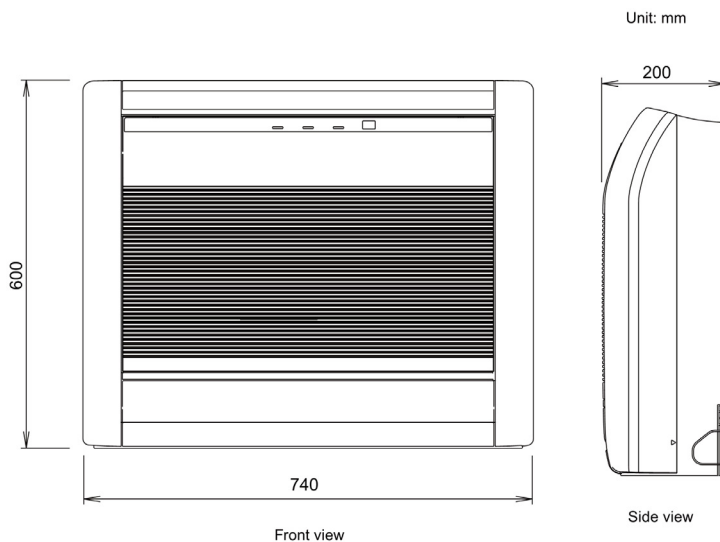
## AGYG12KVCA

Please visit our webstore for full product and technical documentation 

Unit Type	Floor Standing
Remote Controller	IR Included
Nominal Cooling Capacity (kW)	3.5
Nominal Heating Capacity (kW)	4.5
Height (mm)	600
Width (mm)	740
Depth (mm)	200
Weight (kg)	14
Airflow Rate - Cooling - High (m3/h)	570
Airflow Rate - Heating - High (m3/h)	600
Sound Pressure Level - Cooling - High (dB(A))	40
Sound Pressure Level - Cooling - Low (dB(A))	29
Sound Pressure Level - Heating - High (dB(A))	41
Sound Pressure Level - Heating - Low (dB(A))	29
Refrigerant Type (Global Warming Potential)	R32 (675)
Liquid Pipe Size	1/4"
Gas Pipe Size	3/8"
Unit Power Supply	From Outdoor Unit



### Document Downloads

[Airflow - Fan Curve](#)
[Controls & Accessories](#)
[Dimensional Drawing](#)
[Electrical Characteristics](#)
[Function Settings](#)
[Inputs & Outputs](#)
[Installation Manual](#)
[Noise Curve](#)
[Operation Manual](#)
[Product Image](#)
[Spare Parts List All Pages](#)
[Specifications](#)
[Wiring Diagram](#)


### Related Items

[AOYG12KVCA](#)
[AOYG14KBTA2](#)
[AOYG18KBTA2](#)
[AOYG18KBTA3](#)
[AOYG24KBTA3](#)
[AOYG30KBTA4](#)
[AOYG36KBTA5](#)
[UTYRNRZY5](#)
[UTYTFXSZ1](#)
[UTYRCRYZ1](#)
[UTYRHRV](#)
[UTYRSRY](#)
[UTYTERX](#)
[UTYVTGX](#)
[UTYVTGXV](#)
[UTYTWRXZ3](#)
[UTYXWZXZ5](#)

3.5kW Outdoor Unit - R32 Single Phase

4.0kW 2 Way Multi Outdoor Unit - R32 1 Ph

5.0kW 2 Way Multi Outdoor Unit - R32 1 Ph

5.4kW 3 Way Multi Outdoor Unit - R32 1 Ph

6.8kW 3 Way Multi Outdoor Unit - R32 1 Ph

8.0kW 4 Way Multi Outdoor Unit - R32 1 Ph

10.0kW 5 Way Multi Outdoor Unit - R32 1 Ph

Touch Screen Remote Controller

Wireless LAN interface

Compact Simple Remote controller

Simple Remote Controller (without Master Control)

Simple Remote Controller (with Master Control)

External switch controller

Splits Network Converter (DC Powered)

Splits Network Converter (AC Powered)

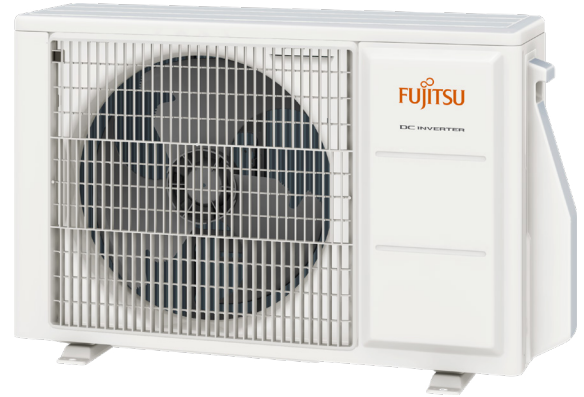
External Connect Kit

External Connect Kit

# AOYG12KVCA

Please visit our [webstore](#) for full product and technical documentation 

Nominal Cooling Capacity	(kW)	3.5
Nominal Heating Capacity	(kW)	4.5
Height	(mm)	542
Width	(mm)	799
Depth	(mm)	290
Weight	(kg)	36
Airflow Rate - Cooling - High	(m <sup>3</sup> /h)	1530
Airflow Rate - Heating - High	(m <sup>3</sup> /h)	1510
Sound Pressure Level - Cooling - High	(dB(A))	45
Sound Pressure Level - Heating - High	(dB(A))	51
Sound Power Level - Cooling - High	(dB(A))	61
Sound Power Level - Heating - High	(dB(A))	64
Refrigerant Type (Global Warming Potential)		R32 (675)
Liquid Pipe Size		1/4"
Gas Pipe Size		3/8"
Min - Max Pipe Length	(m)	3 - 20
Max Height Difference	(m)	15
Refrigerant Charge (kg)	(kg)	0.85
Refrigerant CO <sub>2</sub> eq-T		0.574
Precharged For	(m)	15
Additional Charge (g/m)	(g/m)	20
Unit Power Supply		1Ph-230V-50Hz
Suggested Fuse Size	(A)	10
Cooling Mode Minimum Ambient	(°C)	-10
Cooling Mode Maximum Ambient	(°C)	46
Heating Mode Minimum Ambient	(°C)	-15
Heating Mode Maximum Ambient	(°C)	24



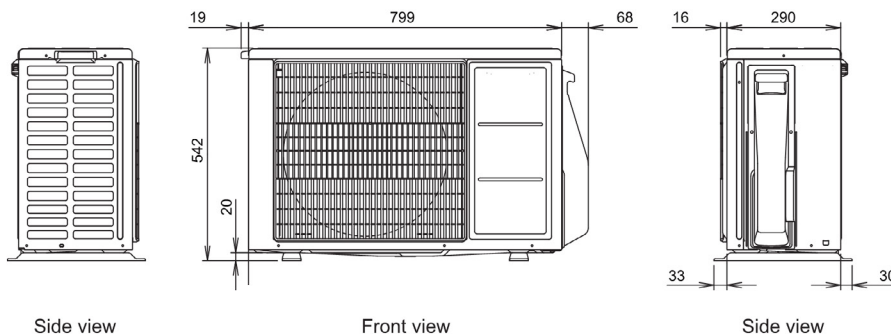
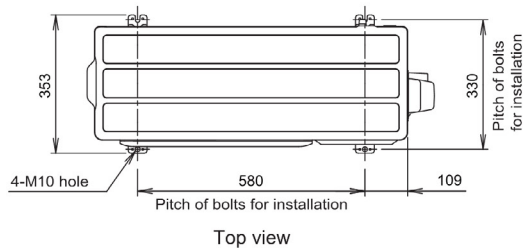
### Document Downloads

[Airflow](#)
[Capacity Correction](#)
[Controls & Accessories](#)
[Dimensional Drawing](#)
[Electrical Characteristics](#)
[Installation Manual](#)
[Noise Curve](#)
[Product Image](#)
[Refrigerant Circuit](#)
[Spare Parts List All Pages](#)
[Specifications](#)
[Wiring Diagram](#)

### Related Items

[AGYG12KVCA](#)

3.5kW Floor Standing Indoor Unit - R32



Units: mm

\*Specifications and design are subject to change without notice for further improvement.  
 \*Actual products' colors may be different from the colors shown in this printed material.

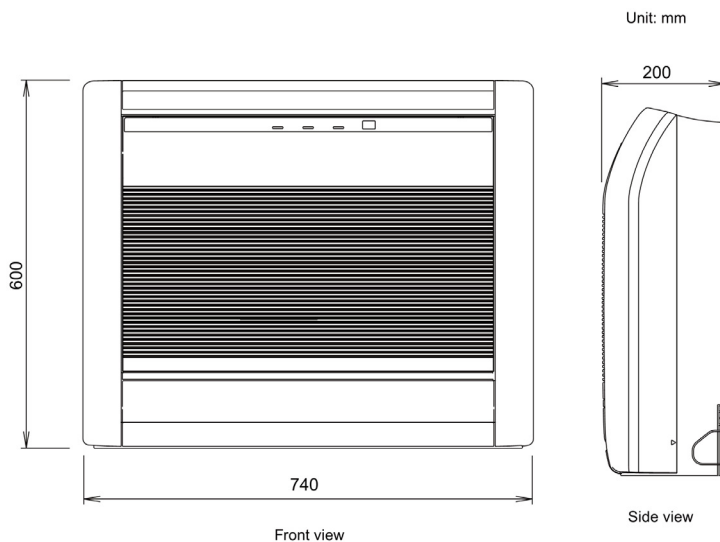
## AGYG14KVCA

Please visit our webstore for full product and technical documentation 

Unit Type	Floor Standing
Remote Controller	IR Included
Nominal Cooling Capacity (kW)	4.2
Nominal Heating Capacity (kW)	5.2
Height (mm)	600
Width (mm)	740
Depth (mm)	200
Weight (kg)	14
Airflow Rate - Cooling - High (m3/h)	650
Airflow Rate - Heating - High (m3/h)	650
Sound Pressure Level - Cooling - High (dB(A))	44
Sound Pressure Level - Cooling - Low (dB(A))	31
Sound Pressure Level - Heating - High (dB(A))	43
Sound Pressure Level - Heating - Low (dB(A))	29
Refrigerant Type (Global Warming Potential)	R32 (675)
Liquid Pipe Size	1/4"
Gas Pipe Size	3/8"
Unit Power Supply	From Outdoor Unit



### Document Downloads

[Airflow - Fan Curve](#)
[Controls & Accessories](#)
[Dimensional Drawing](#)
[Electrical Characteristics](#)
[Function Settings](#)
[Inputs & Outputs](#)
[Installation Manual](#)
[Noise Curve](#)
[Operation Manual](#)
[Product Image](#)
[Spare Parts List All Pages](#)
[Specifications](#)
[Wiring Diagram](#)


### Related Items

[AOYG14KVCA](#)
[AOYG14KBTA2](#)
[AOYG18KBTA2](#)
[AOYG18KBTA3](#)
[AOYG24KBTA3](#)
[AOYG30KBTA4](#)
[AOYG36KBTA5](#)
[UTYRNRZY5](#)
[UTYTFXSZ1](#)
[UTYRCRYZ1](#)
[UTYRHR](#)
[UTYRSRY](#)
[UTYTERX](#)
[UTYVTGX](#)
[UTYVTGXV](#)
[UTYTWRXZ3](#)
[UTYXWZXZ5](#)

4.2kW Outdoor Unit - R32 Single Phase

4.0kW 2 Way Multi Outdoor Unit - R32 1 Ph

5.0kW 2 Way Multi Outdoor Unit - R32 1 Ph

5.4kW 3 Way Multi Outdoor Unit - R32 1 Ph

6.8kW 3 Way Multi Outdoor Unit - R32 1 Ph

8.0kW 4 Way Multi Outdoor Unit - R32 1 Ph

10.0kW 5 Way Multi Outdoor Unit - R32 1 Ph

Touch Screen Remote Controller

Wireless LAN interface

Compact Simple Remote controller

Simple Remote Controller (without Master Control)

Simple Remote Controller (with Master Control)

External switch controller

Splits Network Converter (DC Powered)

Splits Network Converter (AC Powered)

External Connect Kit

External Connect Kit

\*Specifications and design are subject to change without notice for further improvement.

\*Actual products' colors may be different from the colors shown in this printed material.

### AOYG14KVCA

Please visit our [webstore](#) for full product and technical documentation 

Nominal Cooling Capacity	(kW)	3.5
Nominal Heating Capacity	(kW)	4.5
Height	(mm)	542
Width	(mm)	799
Depth	(mm)	290
Weight	(kg)	36
Airflow Rate - Cooling - High	(m3/h)	1530
Airflow Rate - Heating - High	(m3/h)	1510
Sound Pressure Level - Cooling - High	(dB(A))	45
Sound Pressure Level - Heating - High	(dB(A))	51
Sound Power Level - Cooling - High	(dB(A))	61
Sound Power Level - Heating - High	(dB(A))	64
Refrigerant Type (Global Warming Potential)		R32 (675)
Liquid Pipe Size		1/4"
Gas Pipe Size		3/8"
Min - Max Pipe Length	(m)	3 - 20
Max Height Difference	(m)	15
Refrigerant Charge (kg)	(kg)	0.85
Refrigerant CO2eq-T		0.574
Precharged For	(m)	15
Additional Charge (g/m)	(g/m)	20
Unit Power Supply		1Ph-230V-50Hz
Suggested Fuse Size	(A)	10
Cooling Mode Minimum Ambient	(°C)	-10
Cooling Mode Maximum Ambient	(°C)	46
Heating Mode Minimum Ambient	(°C)	-15
Heating Mode Maximum Ambient	(°C)	24



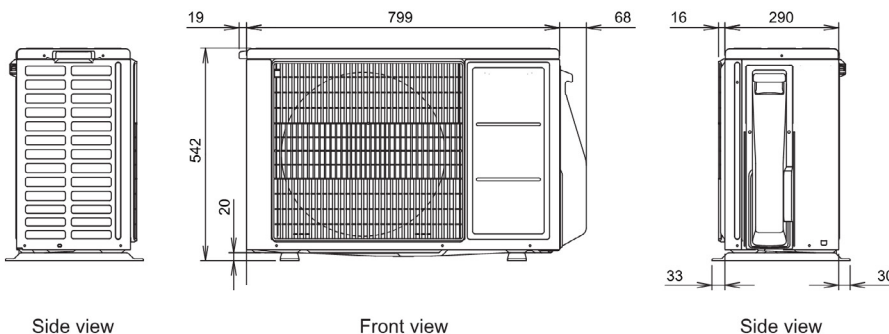
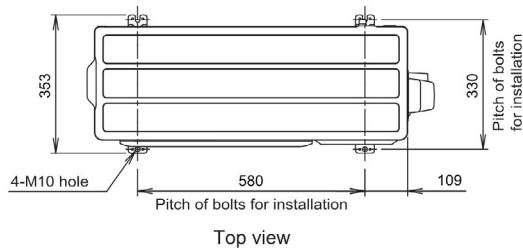
#### Document Downloads

[Airflow](#)
[Capacity Correction](#)
[Controls & Accessories](#)
[Dimensional Drawing](#)
[Electrical Characteristics](#)
[Installation Manual](#)
[Noise Curve](#)
[Product Image](#)
[Refrigerant Circuit](#)
[Spare Parts List All Pages](#)
[Specifications](#)
[Wiring Diagram](#)

#### Related Items

[AGYG14KVCA](#)

4.2kW Floor Standing Indoor Unit - R32



Units: mm

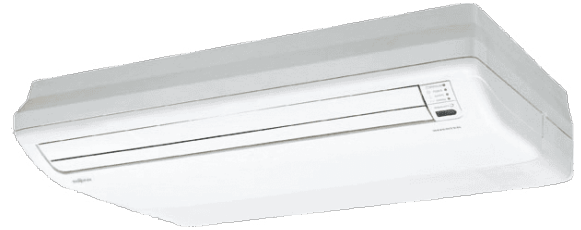
\*Specifications and design are subject to change without notice for further improvement.  
 \*Actual products' colors may be different from the colors shown in this printed material.



## ABYG18LVTB

Please visit our webstore for full product and technical documentation 

Unit Type	Floor - Ceiling
Remote Controller	IR Included
Nominal Cooling Capacity (kW)	5.2
Nominal Heating Capacity (kW)	6.0
Height (mm)	199
Width (mm)	990
Depth (mm)	655
Weight (kg)	27
Airflow Rate - Cooling - High (m <sup>3</sup> /h)	780
Airflow Rate - Heating - High (m <sup>3</sup> /h)	780
Sound Pressure Level - Cooling - High (dB(A))	43
Sound Pressure Level - Cooling - Low (dB(A))	31
Sound Pressure Level - Heating - High (dB(A))	43
Sound Pressure Level - Heating - Low (dB(A))	31
Sound Power Level - Cooling - High (dB(A))	57
Sound Power Level - Heating - High (dB(A))	57
Moisture Removal (l/h)	2
Refrigerant Type (Global Warming Potential)	R410A (2,088)
Liquid Pipe Size	1/4"
Gas Pipe Size	1/2"
Unit Power Supply	From Outdoor Unit



### Document Downloads

[Airflow - Fan Curve](#)
[Controls & Accessories](#)
[Dimensional Drawing](#)
[Electrical Characteristics](#)
[Function Settings](#)
[Inputs & Outputs](#)
[Installation Manual](#)
[Noise Curve](#)
[Operation Manual](#)
[Product Image](#)
[Spare Parts List All Pages](#)
[Specifications](#)
[Wiring Diagram](#)

### Related Items

[AOYG18LBCB](#)
[UTYTFNXZ1](#)
[UTYRVNYM](#)
[UTYRSNYM](#)
[UTYTERX](#)
[FJRCWIF1](#)
[UTYVTGX](#)
[UTYVTGXV](#)
[UTYXWZX](#)
[FJRCMBS1](#)
[FJRCKNX1i](#)

5.2kW Outdoor Unit - R410A Single Phase

Wireless LAN interface

LCD Wired Remote Controller

Simplified Wired Remote Controller

External switch controller

IntesisHome Wireless LAN Adapter for Splits & VRF

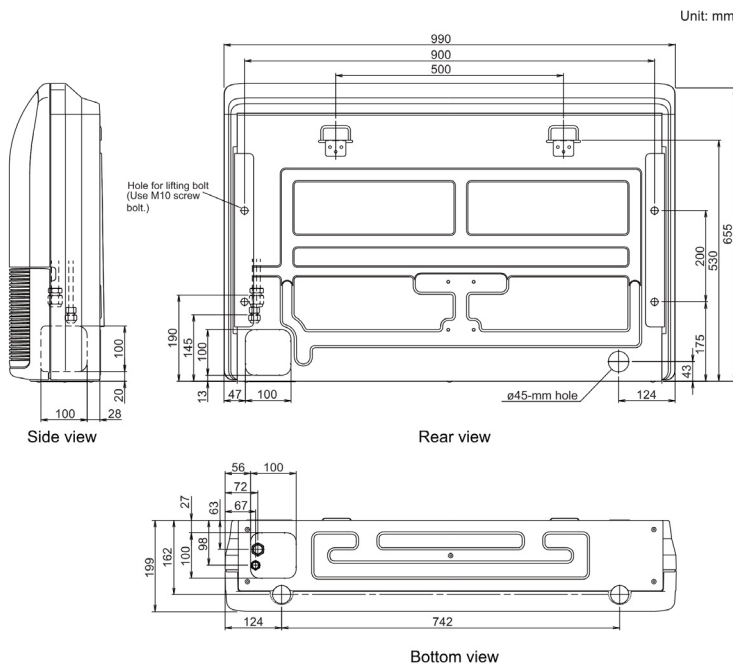
Splits Network Converter (DC Powered)

Splits Network Converter (AC Powered)

External Connect Kit

MODBUS Interface for Splits & VRF

KNX Interface for Splits & VRF



\*Specifications and design are subject to change without notice for further improvement.

\*Actual products' colors may be different from the colors shown in this printed material.

### AOYG18LBCB

Please visit our webstore for full product and technical documentation 

Nominal Cooling Capacity	(kW)	5.2
Nominal Heating Capacity	(kW)	6.0
Height	(mm)	632
Width	(mm)	799
Depth	(mm)	290
Weight	(kg)	36
Airflow Rate - Cooling - High	(m <sup>3</sup> /h)	2380
Airflow Rate - Heating - High	(m <sup>3</sup> /h)	2080
Sound Pressure Level - Cooling - High	(dB(A))	50
Sound Pressure Level - Heating - High	(dB(A))	50
Sound Power Level - Cooling - High	(dB(A))	62
Sound Power Level - Heating - High	(dB(A))	65
Refrigerant Type (Global Warming Potential)		R410A (2,088)
Liquid Pipe Size		1/4"
Gas Pipe Size		1/2"
Min - Max Pipe Length	(m)	5 - 25
Max Height Difference	(m)	15
Refrigerant Charge	(kg)	1.2
Refrigerant CO <sub>2</sub> eq-T		2.506
Precharged For	(m)	15
Additional Charge	(g/m)	20
Unit Power Supply		1Ph-230V-50Hz
Suggested Fuse Size	(A)	16
Cooling Mode Minimum Ambient	(°C)	-10
Cooling Mode Maximum Ambient	(°C)	46
Heating Mode Minimum Ambient	(°C)	-15
Heating Mode Maximum Ambient	(°C)	24



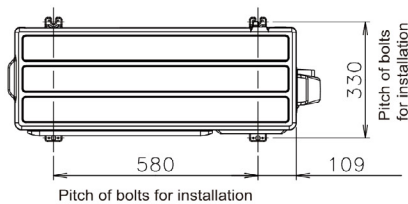
#### Document Downloads

[Accessories](#)
[Airflow](#)
[Capacity Correction](#)
[Dimensional Drawing](#)
[Installation Manual](#)
[Noise Curve](#)
[Product Image](#)
[Refrigerant Circuit](#)
[Spare Parts List All Pages](#)
[Specifications](#)
[Wiring Diagram](#)

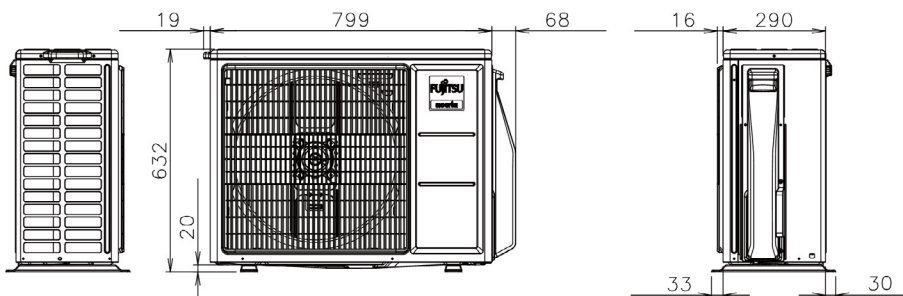
#### Related Items

[ABYG18LVTB](#)

5.2kW Floor / Ceiling Indoor Unit - R410A



Top view



Side view

Front view

Side view

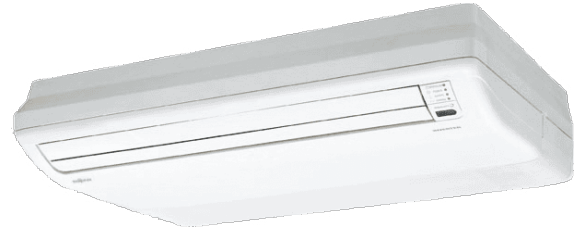
Units: mm

\*Specifications and design are subject to change without notice for further improvement.  
 \*Actual products' colors may be different from the colors shown in this printed material.

## ABYG24LVTA

Please visit our webstore for full product and technical documentation 

Unit Type	Floor - Ceiling
Remote Controller	IR Included
Nominal Cooling Capacity (kW)	6.8
Nominal Heating Capacity (kW)	8.0
Height (mm)	199
Width (mm)	990
Depth (mm)	655
Weight (kg)	27
Airflow Rate - Cooling - High (m <sup>3</sup> /h)	980
Airflow Rate - Heating - High (m <sup>3</sup> /h)	980
Sound Pressure Level - Cooling - High (dB(A))	48
Sound Pressure Level - Cooling - Low (dB(A))	35
Sound Pressure Level - Heating - High (dB(A))	48
Sound Pressure Level - Heating - Low (dB(A))	35
Sound Power Level - Cooling - High (dB(A))	61
Sound Power Level - Heating - High (dB(A))	61
Moisture Removal (l/h)	2.7
Refrigerant Type (Global Warming Potential)	R410A (2,088)
Liquid Pipe Size	1/4"
Gas Pipe Size	5/8"
Unit Power Supply	From Outdoor Unit



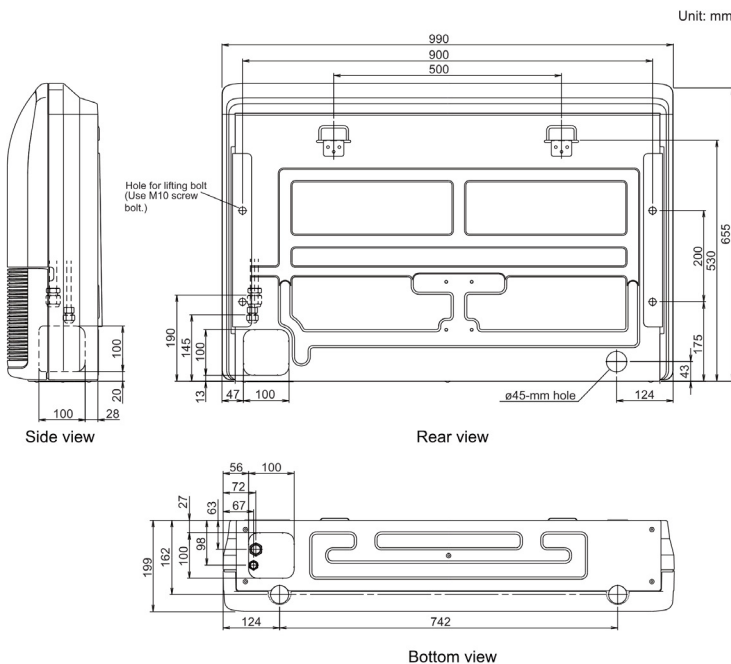
### Document Downloads

[Airflow - Fan Curve](#)  
[Controls & Accessories](#)  
[Dimensional Drawing](#)  
[Function Settings](#)  
[Inputs & Outputs](#)  
[Installation Manual](#)  
[Noise Curve](#)  
[Operation Manual](#)  
[Product Image](#)

[Spare Parts List All Pages](#)  
[Specifications](#)  
[Wiring Diagram](#)

### Related Items

[AOYG24LBCB](#) 6.8kW Outdoor Unit - R410A Single Phase  
[UTYTFNXZ1](#) Wireless LAN interface  
[UTYRVNYM](#) LCD Wired Remote Controller  
[UTYRSNYM](#) Simplified Wired Remote Controller  
[UTYTERX](#) External switch controller  
[FJRCWIF1](#) IntesisHome Wireless LAN Adapter for Splits & VRF  
[UTYVTGX](#) Splits Network Converter (DC Powered)  
[UTYVTGXV](#) Splits Network Converter (AC Powered)  
[UTYXWZX](#) External Connect Kit  
[FJRCMBS1](#) MODBUS Interface for Splits & VRF  
[FJRCNX1i](#) KNX Interface for Splits & VRF



\*Specifications and design are subject to change without notice for further improvement.  
 •Actual products' colors may be different from the colors shown in this printed material.

### AOYG24LBCB

Please visit our webstore for full product and technical documentation 

Nominal Cooling Capacity	(kW)	6.8
Nominal Heating Capacity	(kW)	8.0
Height	(mm)	716
Width	(mm)	820
Depth	(mm)	315
Weight	(kg)	42
Airflow Rate - Cooling - High	(m3/h)	2850
Airflow Rate - Heating - High	(m3/h)	2700
Sound Pressure Level - Cooling - High	(dB(A))	53
Sound Pressure Level - Heating - High	(dB(A))	54
Sound Power Level - Cooling - High	(dB(A))	66
Sound Power Level - Heating - High	(dB(A))	66
Refrigerant Type (Global Warming Potential)		R410A (2,088)
Liquid Pipe Size		1/4"
Gas Pipe Size		5/8"
Min - Max Pipe Length	(m)	5 - 30
Max Height Difference	(m)	20
Refrigerant Charge (kg)	(kg)	1.5
Refrigerant CO2eq-T		3.132
Precharged For	(m)	15
Additional Charge (g/m)	(g/m)	20
Unit Power Supply		1Ph-230V-50Hz
Suggested Fuse Size	(A)	20
Cooling Mode Minimum Ambient	(°C)	-10
Cooling Mode Maximum Ambient	(°C)	46
Heating Mode Minimum Ambient	(°C)	-15
Heating Mode Maximum Ambient	(°C)	24



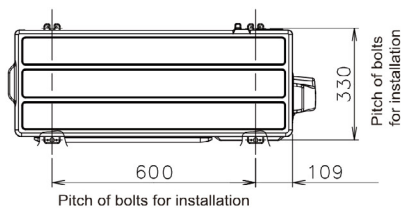
#### Document Downloads

[Accessories](#)
[Airflow](#)
[Capacity Correction](#)
[Dimensional Drawing](#)
[Installation Manual](#)
[Noise Curve](#)
[Product Image](#)
[Refrigerant Circuit](#)
[Spare Parts List All Pages](#)
[Specifications](#)
[Wiring Diagram](#)

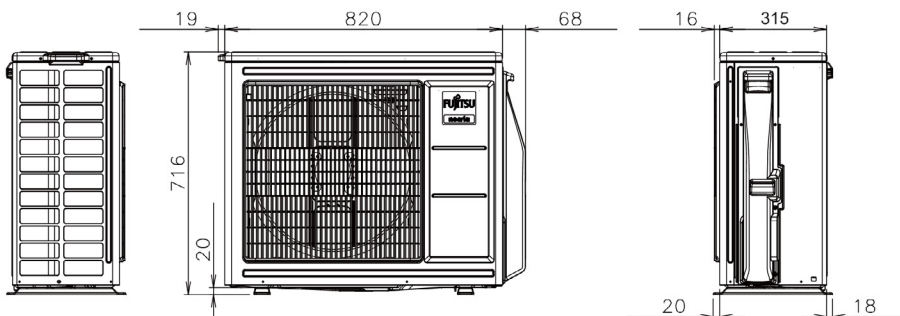
#### Related Items

[ABYG24LVTA](#)

6.8kW Floor / Ceiling Indoor Unit - R410A



Top view



Units: mm

\*Specifications and design are subject to change without notice for further improvement.  
 \*Actual products' colors may be different from the colors shown in this printed material.

## AUXG07KVLA

Please visit our webstore for full product and technical documentation 

Unit Type	Compact Cassette	
Remote Controller	Option	
Nominal Cooling Capacity (kW)	2.0	
Nominal Heating Capacity (kW)		
Height (mm)	245	
Width (mm)	570	
Depth (mm)	570	
Weight (kg)	15	
Grille	UTGUFYFW	
Grille Dimensions (HxWxD) (mm)	49 x 620 x 620	
Grille Weight (kg)	2.3	
Airflow Rate - Cooling - High (m3/h)	540	
Airflow Rate - Heating - High (m3/h)	540	
Sound Pressure Level - Cooling - High (dB(A))	33	
Sound Pressure Level - Cooling - Low (dB(A))	27	
Sound Pressure Level - Heating - High (dB(A))	34	
Sound Pressure Level - Heating - Low (dB(A))	27	
Sound Power Level - Cooling - High (dB(A))	46	
Sound Power Level - Heating - High (dB(A))	47	
Moisture Removal (l/h)	0.6	
Refrigerant Type (Global Warming Potential)	R32 (675)	
Liquid Pipe Size	1/4"	
Gas Pipe Size	3/8"	
Unit Power Supply	From Outdoor Unit	

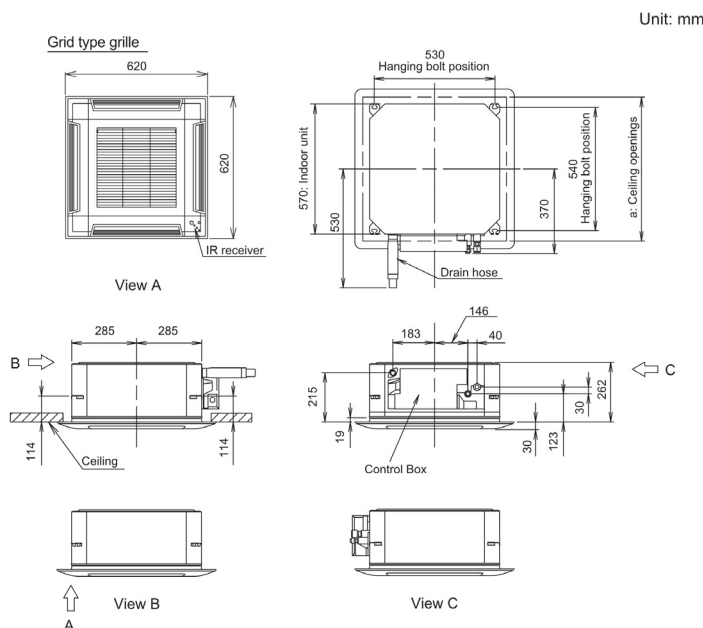


### Document Downloads

[Air Distribution](#)
[Airflow](#)
[Controls & Accessories](#)
[Dimensional Drawing](#)
[Electrical Characteristics](#)
[Function Settings](#)
[Inputs & Outputs](#)
[Noise Curve](#)
[Product Image](#)
[Spare Parts List All Pages](#)
[Specifications](#)
[Wiring Diagram](#)

### Related Items

- [AOYG14KBTA2](#) 4.0kW 2 Way Multi Outdoor Unit - R32 1 Ph
- [AOYG18KBTA2](#) 5.0kW 2 Way Multi Outdoor Unit - R32 1 Ph
- [AOYG18KBTA3](#) 5.4kW 3 Way Multi Outdoor Unit - R32 1 Ph
- [AOYG24KBTA3](#) 6.8kW 3 Way Multi Outdoor Unit - R32 1 Ph
- [AOYG30KBTA4](#) 8.0kW 4 Way Multi Outdoor Unit - R32 1 Ph
- [AOYG36KBTA5](#) 10.0kW 5 Way Multi Outdoor Unit - R32 1 Ph
- [UTGUFYFW](#) Compact Cassette Grid Grille
- [UTYRNRYZ5](#) Touch Screen Remote Controller
- [UTYTFXSZ1](#) Wireless LAN interface
- [UTRYDZB](#) Air Outlet Shutter Plate for Compact Cassette
- [UTZVXAA](#) Fresh Air Intake Kit for Compact Cassette
- [UTYRCRYZ1](#) Compact Simple Remote controller
- [UTYRVNYM](#) LCD Wired Remote Controller
- [UTYRHRY](#) Simple Remote Controller (without Master Control)
- [UTYRSRY](#) Simple Remote Controller (with Master Control)
- [UTYRSNYM](#) Simplified Wired Remote Controller
- [UTYLNNTY](#) Wireless Remote Controller
- [UTYTERX](#) External switch controller
- [FJRCWIFI1](#) IntesisHome Wireless LAN Adapter for Splits & VRF
- [UTYXWZXZG](#) External Connect Kit
- [UTYVTGX](#) Splits Network Converter (DC Powered)
- [UTYVTGXV](#) Splits Network Converter (AC Powered)
- [UTYXCSX](#) External Input / Output PCB
- [UTZGXRA](#) External Input / output PCB Box



a: Ceiling openings		
Cassette grille (Option [Grid type])	mm	580 to 610

\*Specifications and design are subject to change without notice for further improvement.  
 •Actual products' colors may be different from the colors shown in this printed material.

### AUXG09KVLA

Please visit our webstore for full product and technical documentation 

Unit Type	Compact Cassette	
Remote Controller	Option	
Nominal Cooling Capacity (kW)	2.5	
Nominal Heating Capacity (kW)	3.2	
Height (mm)	245	
Width (mm)	570	
Depth (mm)	570	
Weight (kg)	15	
Grille	UTGUFYFW	
Grille Dimensions (HxWxD) (mm)	49 x 620 x 620	
Grille Weight (kg)	2.3	
Airflow Rate - Cooling - High (m3/h)	540	
Airflow Rate - Heating - High (m3/h)	540	
Sound Pressure Level - Cooling - High (dB(A))	33	
Sound Pressure Level - Cooling - Low (dB(A))	27	
Sound Pressure Level - Heating - High (dB(A))	34	
Sound Pressure Level - Heating - Low (dB(A))	27	
Sound Power Level - Cooling - High (dB(A))	46	
Sound Power Level - Heating - High (dB(A))	47	
Moisture Removal (l/h)	0.6	
Refrigerant Type (Global Warming Potential)	R32 (675)	
Liquid Pipe Size	1/4"	
Gas Pipe Size	3/8"	
Unit Power Supply	From Outdoor Unit	



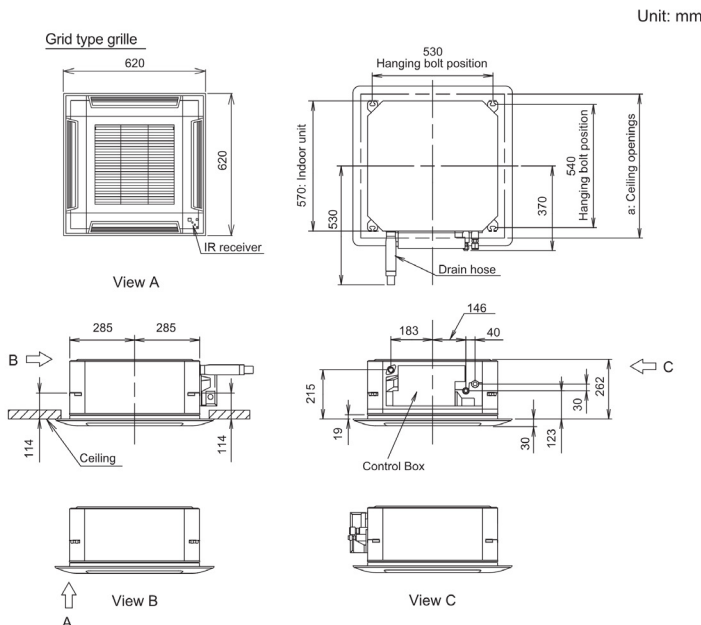
#### Document Downloads

- [Airflow - Fan Curve](#)
- [Controls & Accessories](#)
- [Dimensional Drawing](#)
- [Electrical Characteristics](#)
- [Function Settings](#)
- [Inputs & Outputs](#)
- [Installation Manual](#)
- [Noise Curve](#)
- [Operation Manual](#)

- [Product Image](#)
- [Spare Parts List All Pages](#)
- [Specifications](#)
- [Wiring Diagram](#)

#### Related Items

- [AOYG09KATA](#) 2.5kW Economy Outdoor Unit - R32 Single Phase
- [AOYG09KBTB](#) 2.5kW Outdoor Unit - R32 Single Phase
- [AOYG14KBTB2](#) 4.0kW 2 Way Multi Outdoor Unit - R32 1 Ph
- [AOYG18KBTB2](#) 5.0kW 2 Way Multi Outdoor Unit - R32 1 Ph
- [AOYG18KBTB3](#) 5.4kW 3 Way Multi Outdoor Unit - R32 1 Ph
- [AOYG24KBTB3](#) 6.8kW 3 Way Multi Outdoor Unit - R32 1 Ph
- [AOYG30KBTB4](#) 8.0kW 4 Way Multi Outdoor Unit - R32 1 Ph
- [AOYG36KBTB5](#) 10.0kW 5 Way Multi Outdoor Unit - R32 1 Ph
- [UTGUFYFW](#) Compact Cassette Grid Grille
- [UTYRNRZY5](#) Touch Screen Remote Controller
- [UTYFESXZ1](#) Wireless LAN interface
- [UTRYDZB](#) Air Outlet Shutter Plate for Compact Cassette
- [UTZYXAA](#) Fresh Air Intake Kit for Compact Cassette
- [UTYRCRYZ1](#) Compact Simple Remote controller
- [UTYRVNYM](#) LCD Wired Remote Controller
- [UTYRHRY](#) Simple Remote Controller (without Master Control)
- [UTYRSRY](#) Simple Remote Controller (with Master Control)
- [UTYRSNYM](#) Simplified Wired Remote Controller
- [UTYLNTY](#) Wireless Remote Controller
- [UTYTERX](#) External switch controller
- [FJRCWIF1](#) IntesisHome Wireless LAN Adapter for Splits & VRF
- [UTYXWZXZG](#) External Connect Kit
- [UTYVTGX](#) Splits Network Converter (DC Powered)
- [UTYVTGXV](#) Splits Network Converter (AC Powered)
- [UTYXCSX](#) External Input / Output PCB
- [UTZXGRA](#) External Input / output PCB Box



a: Ceiling openings		
Cassette grille (Option [Grid type])	mm	580 to 610

\*Specifications and design are subject to change without notice for further improvement.  
 \*Actual products' colors may be different from the colors shown in this printed material.

## AUXG12KVLA

Please visit our webstore for full product and technical documentation 

Unit Type	Compact Cassette	
Remote Controller	Option	
Nominal Cooling Capacity (kW)	3.5	
Nominal Heating Capacity (kW)	4.1	
Height (mm)	245	
Width (mm)	570	
Depth (mm)	570	
Weight (kg)	15	
Grille	UTGUFYFW	
Grille Dimensions (HxWxD) (mm)	49 x 620 x 620	
Grille Weight (kg)	2.3	
Airflow Rate - Cooling - High (m3/h)	600	
Airflow Rate - Heating - High (m3/h)	600	
Sound Pressure Level - Cooling - High (dB(A))	37	
Sound Pressure Level - Cooling - Low (dB(A))	27	
Sound Pressure Level - Heating - High (dB(A))	37	
Sound Pressure Level - Heating - Low (dB(A))	29	
Sound Power Level - Cooling - High (dB(A))	49	
Sound Power Level - Heating - High (dB(A))	49	
Moisture Removal (l/h)	1.2	
Refrigerant Type (Global Warming Potential)	R32 (675)	
Liquid Pipe Size	1/4"	
Gas Pipe Size	3/8"	
Unit Power Supply	From Outdoor Unit	

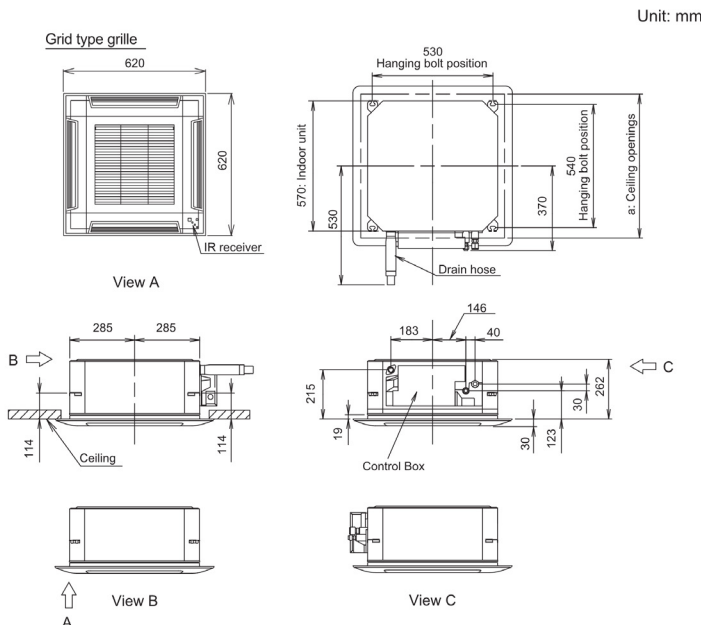


### Document Downloads

[Airflow - Fan Curve](#)
[Controls & Accessories](#)
[Dimensional Drawing](#)
[Electrical Characteristics](#)
[Function Settings](#)
[Inputs & Outputs](#)
[Installation Manual](#)
[Noise Curve](#)
[Operation Manual](#)
[Product Image](#)
[Spare Parts List All Pages](#)
[Specifications](#)
[Wiring Diagram](#)

### Related Items

- [AOYG12KATA](#) 3.5kW Economy Outdoor Unit - R32 Single Phase
- [AOYG12KBTB](#) 3.5kW Standard Outdoor Unit - R32 Single Phase
- [AOYG14KBT2](#) 4.0kW 2 Way Multi Outdoor Unit - R32 1 Ph
- [AOYG18KBT2](#) 5.0kW 2 Way Multi Outdoor Unit - R32 1 Ph
- [AOYG18KBT3](#) 5.4kW 3 Way Multi Outdoor Unit - R32 1 Ph
- [AOYG24KBT3](#) 6.8kW 3 Way Multi Outdoor Unit - R32 1 Ph
- [AOYG30KBT4](#) 8.0kW 4 Way Multi Outdoor Unit - R32 1 Ph
- [AOYG36KBT5](#) 10.0kW 5 Way Multi Outdoor Unit - R32 1 Ph
- [UTGUFYFW](#) Compact Cassette Grid Grille
- [UTYRNRZY5](#) Touch Screen Remote Controller
- [UTYFESXZ1](#) Wireless LAN interface
- [UTRYDZB](#) Air Outlet Shutter Plate for Compact Cassette
- [UTZYXAA](#) Fresh Air Intake Kit for Compact Cassette
- [UTYRCRYZ1](#) Compact Simple Remote controller
- [UTYRVNYM](#) LCD Wired Remote Controller
- [UTYRHRY](#) Simple Remote Controller (without Master Control)
- [UTYRSRY](#) Simple Remote Controller (with Master Control)
- [UTYRSNYM](#) Simplified Wired Remote Controller
- [UTYLNTY](#) Wireless Remote Controller
- [UTYTERX](#) External switch controller
- [FJRCWIF1](#) IntesisHome Wireless LAN Adapter for Splits & VRF
- [UTYXWZYZG](#) External Connect Kit
- [UTYVTGX](#) Splits Network Converter (DC Powered)
- [UTYVTGXV](#) Splits Network Converter (AC Powered)
- [UTYXCSX](#) External Input / Output PCB
- [UTZXGRA](#) External Input / output PCB Box



\*Specifications and design are subject to change without notice for further improvement.

\*Actual products' colors may be different from the colors shown in this printed material.

## AUXG14KVLA

Please visit our webstore for full product and technical documentation 

Unit Type	Compact Cassette	
Remote Controller	Option	
Nominal Cooling Capacity (kW)	4.3	
Nominal Heating Capacity (kW)	5.0	
Height (mm)	245	
Width (mm)	570	
Depth (mm)	570	
Weight (kg)	15	
Grille	UTGUFYFW	
Grille Dimensions (HxWxD) (mm)	49 x 620 x 620	
Grille Weight (kg)	2.3	
Airflow Rate - Cooling - High (m3/h)	680	
Airflow Rate - Heating - High (m3/h)	800	
Sound Pressure Level - Cooling - High (dB(A))	38	
Sound Pressure Level - Cooling - Low (dB(A))	27	
Sound Pressure Level - Heating - High (dB(A))	43	
Sound Pressure Level - Heating - Low (dB(A))	30	
Sound Power Level - Cooling - High (dB(A))	50	
Sound Power Level - Heating - High (dB(A))	55	
Moisture Removal (l/h)	1.5	
Refrigerant Type (Global Warming Potential)	R32 (675)	
Liquid Pipe Size	1/4"	
Gas Pipe Size	3/8"	
Unit Power Supply	From Outdoor Unit	



### Document Downloads

[Airflow - Fan Curve](#)
[Controls & Accessories](#)
[Dimensional Drawing](#)
[Electrical Characteristics](#)
[Function Settings](#)
[Inputs & Outputs](#)
[Installation Manual](#)
[Noise Curve](#)
[Operation Manual](#)
[Product Image](#)
[Spare Parts List All Pages](#)
[Specifications](#)
[Wiring Diagram](#)

### Related Items

[AOYG14KATA](#)

4.3kW Economy Outdoor Unit - R32 Single Phase

[AOYG14KBTB](#)

4.3kW Standard Outdoor Unit - R32 Single Phase

[AOYG14KBTA2](#)

4.0kW 2 Way Multi Outdoor Unit - R32 1 Ph

[AOYG18KBTA2](#)

5.0kW 2 Way Multi Outdoor Unit - R32 1 Ph

[AOYG18KBTA3](#)

5.4kW 3 Way Multi Outdoor Unit - R32 1 Ph

[AOYG24KBTA3](#)

6.8kW 3 Way Multi Outdoor Unit - R32 1 Ph

[AOYG30KBTA4](#)

8.0kW 4 Way Multi Outdoor Unit - R32 1 Ph

[AOYG36KBTA5](#)

10.0kW 5 Way Multi Outdoor Unit - R32 1 Ph

[UTGUFYFW](#)

Compact Cassette Grid Grille

[UTYRNRZY5](#)

Touch Screen Remote Controller

[UTYFESXZ1](#)

Wireless LAN interface

[UTRYDZB](#)

Air Outlet Shutter Plate for Compact Cassette

[UTZVXAA](#)

Fresh Air Intake Kit for Compact Cassette

[UTYRCRYZ1](#)

Compact Simple Remote controller

[UTYRVNYM](#)

LCD Wired Remote Controller

[UTYRHRY](#)

Simple Remote Controller (without Master Control)

[UTYRSRY](#)

Simple Remote Controller (with Master Control)

[UTYRSNYM](#)

Simplified Wired Remote Controller

[UTYLNTY](#)

Wireless Remote Controller

[UTYTERX](#)

External switch controller

[FJRCWIF1](#)

IntesisHome Wireless LAN Adapter for Splits &amp; VRF

[UTYXWZYZG](#)

External Connect Kit

[UTYVTGX](#)

Splits Network Converter (DC Powered)

[UTYVTGXV](#)

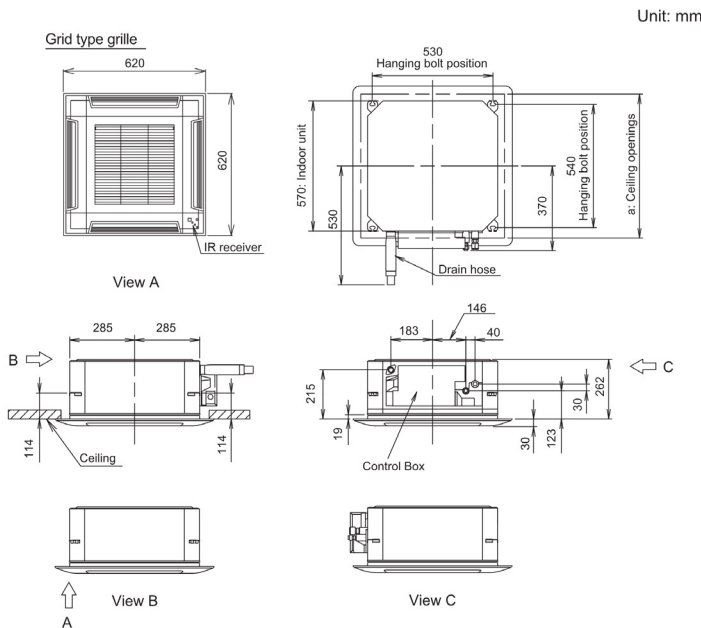
Splits Network Converter (AC Powered)

[UTYXCSX](#)

External Input / Output PCB

[UTZXGRA](#)

External Input / output PCB Box



a: Ceiling openings		
Cassette grille (Option [Grid type])	mm	580 to 610

\*Specifications and design are subject to change without notice for further improvement.

\*Actual products' colors may be different from the colors shown in this printed material.



### AUXG18KVLA

Please visit our webstore for full product and technical documentation 

Unit Type	Compact Cassette	
Remote Controller	Option	
Nominal Cooling Capacity (kW)	5.2	
Nominal Heating Capacity (kW)	6.0	
Height (mm)	245	
Width (mm)	570	
Depth (mm)	570	
Weight (kg)	15	
Grille	UTGUFYFW	
Grille Dimensions (HxWxD) (mm)	49 x 620 x 620	
Grille Weight (kg)	2.3	
Airflow Rate - Cooling - High (m3/h)	680	
Airflow Rate - Heating - High (m3/h)	800	
Sound Pressure Level - Cooling - High (dB(A))	38	
Sound Pressure Level - Cooling - Low (dB(A))	26	
Sound Pressure Level - Heating - High (dB(A))	43	
Sound Pressure Level - Heating - Low (dB(A))	30	
Sound Power Level - Cooling - High (dB(A))	50	
Sound Power Level - Heating - High (dB(A))	55	
Moisture Removal (l/h)	2.2	
Refrigerant Type (Global Warming Potential)	R32 (675)	
Liquid Pipe Size	1/4"	
Gas Pipe Size	1/2"	
Unit Power Supply	From Outdoor Unit	

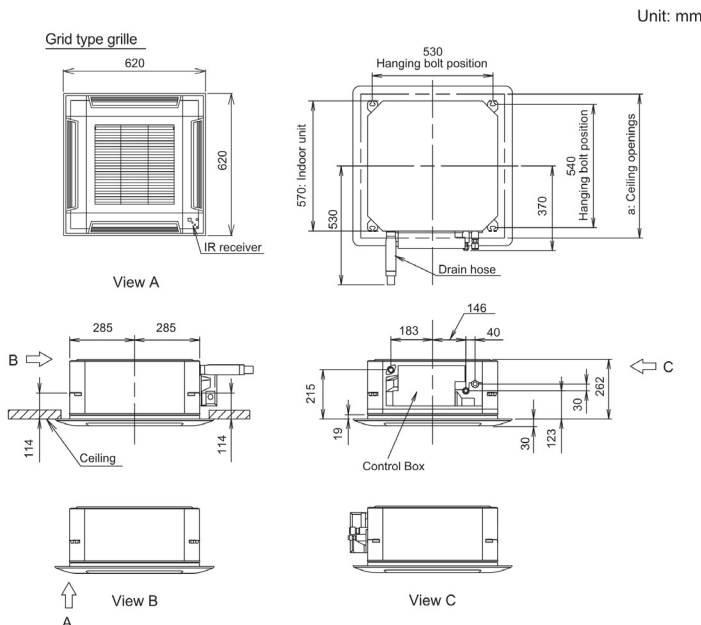


#### Document Downloads

- [Airflow - Fan Curve](#)
- [Controls & Accessories](#)
- [Dimensional Drawing](#)
- [Function Settings](#)
- [Inputs & Outputs](#)
- [Installation Manual](#)
- [Noise Curve](#)
- [Operation Manual](#)
- [Product Image](#)
- [Spare Parts List All Pages](#)
- [Specifications](#)
- [Wiring Diagram](#)

#### Related Items

- [AOYG18KATA](#) 5.2kW Economy Outdoor Unit - R32 Single Phase
- [AOYG18KBTB](#) 5.2kW Standard Outdoor Unit - R32 Single Phase
- [AOYG18KBTA3](#) 5.4kW 3 Way Multi Outdoor Unit - R32 1 Ph
- [AOYG24KBTA3](#) 6.8kW 3 Way Multi Outdoor Unit - R32 1 Ph
- [AOYG30KBTA4](#) 8.0kW 4 Way Multi Outdoor Unit - R32 1 Ph
- [AOYG36KBTA5](#) 10.0kW 5 Way Multi Outdoor Unit - R32 1 Ph
- [UTGUFYFW](#) Compact Cassette Grid Grille
- [UTYRNRYZ5](#) Touch Screen Remote Controller
- [UTYTFXSZ1](#) Wireless LAN interface
- [UTRYDZB](#) Air Outlet Shutter Plate for Compact Cassette
- [UTZVXAA](#) Fresh Air Intake Kit for Compact Cassette
- [UTYRCRYZ1](#) Compact Simple Remote controller
- [UTYRVNYM](#) LCD Wired Remote Controller
- [UTYRHRY](#) Simple Remote Controller (without Master Control)
- [UTYRSRY](#) Simple Remote Controller (with Master Control)
- [UTYRSNYM](#) Simplified Wired Remote Controller
- [UTYLNNTY](#) Wireless Remote Controller
- [UTYTERX](#) External switch controller
- [FJRCWIF1](#) IntesisHome Wireless LAN Adapter for Splits & VRF
- [UTYXWZXZG](#) External Connect Kit
- [UTYVTGX](#) Splits Network Converter (DC Powered)
- [UTYVTGXV](#) Splits Network Converter (AC Powered)
- [UTYXCSX](#) External Input / Output PCB
- [UTZGXRA](#) External Input / output PCB Box



a: Ceiling openings		
Cassette grille (Option [Grid type])	mm	580 to 610

\*Specifications and design are subject to change without notice for further improvement.  
 •Actual products' colors may be different from the colors shown in this printed material.

### AUXG22KVLA

Please visit our webstore for full product and technical documentation 

Unit Type	Compact Cassette	
Remote Controller	Option	
Nominal Cooling Capacity (kW)	6.0	
Nominal Heating Capacity (kW)	7.0	
Height (mm)	245	
Width (mm)	570	
Depth (mm)	570	
Weight (kg)	16	
Grille	UTGUFYFW	
Grille Dimensions (HxWxD) (mm)	49 x 620 x 620	
Grille Weight (kg)	2.3	
Airflow Rate - Cooling - High (m3/h)	830	
Airflow Rate - Heating - High (m3/h)	860	
Sound Pressure Level - Cooling - High (dB(A))	44	
Sound Pressure Level - Cooling - Low (dB(A))	30	
Sound Pressure Level - Heating - High (dB(A))	45	
Sound Pressure Level - Heating - Low (dB(A))	33	
Sound Power Level - Cooling - High (dB(A))	56	
Sound Power Level - Heating - High (dB(A))	57	
Moisture Removal (l/h)	2.6	
Refrigerant Type (Global Warming Potential)	R32 (675)	
Liquid Pipe Size	1/4"	
Gas Pipe Size	1/2"	
Unit Power Supply	From Outdoor Unit	



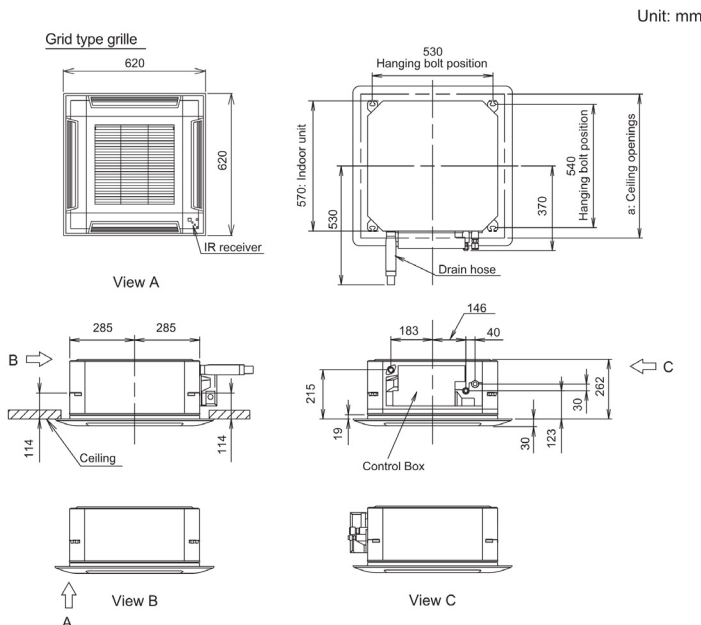
#### Document Downloads

- [Airflow - Fan Curve](#)
- [Controls & Accessories](#)
- [Dimensional Drawing](#)
- [Function Settings](#)
- [Inputs & Outputs](#)
- [Installation Manual](#)
- [Noise Curve](#)
- [Operation Manual](#)
- [Product Image](#)

- [Spare Parts List All Pages](#)
- [Specifications](#)
- [Wiring Diagram](#)

#### Related Items

- [AOYG22KATA](#) 6.0kW Economy Outdoor Unit - R32 Single Phase
- [AOYG22KBTB](#) 6.0kW Standard Outdoor Unit - R32 Single Phase
- [AOYG30KBT4](#) 8.0kW 4 Way Multi Outdoor Unit - R32 1 Ph
- [AOYG36KBT4](#) 10.0kW 5 Way Multi Outdoor Unit - R32 1 Ph
- [UTGUFYFW](#) Compact Cassette Grid Grille
- [UTYRNRZY5](#) Touch Screen Remote Controller
- [UTYTFXSZ1](#) Wireless LAN interface
- [UTRYDZB](#) Air Outlet Shutter Plate for Compact Cassette
- [UTZVXAA](#) Fresh Air Intake Kit for Compact Cassette
- [UTYRCRYZ1](#) Compact Simple Remote controller
- [UTYRVNYM](#) LCD Wired Remote Controller
- [UTYRHRY](#) Simple Remote Controller (without Master Control)
- [UTYRSRY](#) Simple Remote Controller (with Master Control)
- [UTYRSNYM](#) Simplified Wired Remote Controller
- [UTYLNTY](#) Wireless Remote Controller
- [UTYTERX](#) External switch controller
- [FJRCWIF1](#) IntesisHome Wireless LAN Adapter for Splits & VRF
- [UTYXWZXZG](#) External Connect Kit
- [UTYVTGX](#) Splits Network Converter (DC Powered)
- [UTYVTGXV](#) Splits Network Converter (AC Powered)
- [UTYXCSX](#) External Input / Output PCB
- [UTZXGRA](#) External Input / output PCB Box



a: Ceiling openings		
Cassette grille (Option [Grid type])	mm	580 to 610

\*Specifications and design are subject to change without notice for further improvement.  
 •Actual products' colors may be different from the colors shown in this printed material.

# AUXG24KVLA

Please visit our webstore for full product and technical documentation

Unit Type	Compact Cassette	
Remote Controller	Option	
Nominal Cooling Capacity (kW)	6.8	
Nominal Heating Capacity (kW)	7.5	
Height (mm)	245	
Width (mm)	570	
Depth (mm)	570	
Weight (kg)	16	
Grille	UTGUFYFW	
Grille Dimensions (HxWxD) (mm)	49 x 620 x 620	
Grille Weight (kg)	2.3	
Airflow Rate - Cooling - High (m3/h)	930	
Airflow Rate - Heating - High (m3/h)	930	
Sound Pressure Level - Cooling - High (dB(A))	49	
Sound Pressure Level - Cooling - Low (dB(A))	30	
Sound Pressure Level - Heating - High (dB(A))	49	
Sound Pressure Level - Heating - Low (dB(A))	33	
Sound Power Level - Cooling - High (dB(A))	59	
Sound Power Level - Heating - High (dB(A))	61	
Moisture Removal (l/h)	2.7	
Refrigerant Type (Global Warming Potential)	R32 (675)	
Liquid Pipe Size	1/4"	
Gas Pipe Size	1/2"	
Unit Power Supply	From Outdoor Unit	

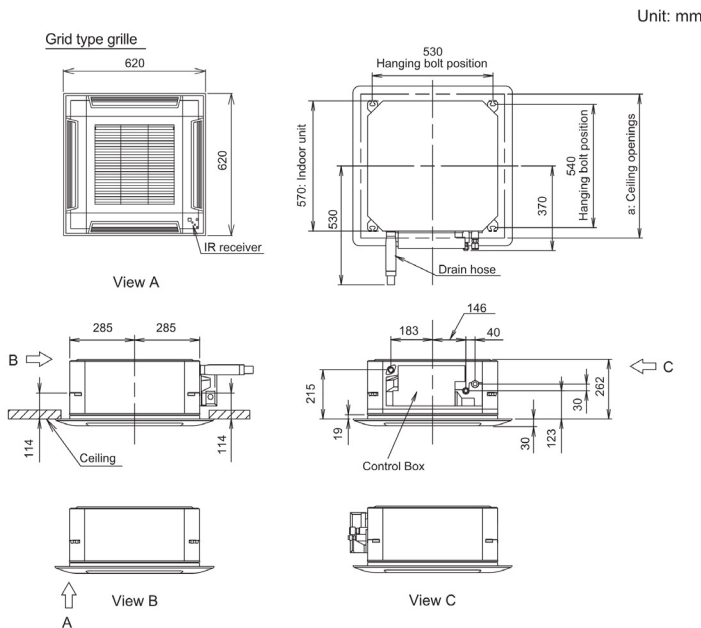


**Document Downloads**

- [Airflow - Fan Curve](#)
- [Controls & Accessories](#)
- [Dimensional Drawing](#)
- [Function Settings](#)
- [Inputs & Outputs](#)
- [Installation Manual](#)
- [Noise Curve](#)
- [Operation Manual](#)
- [Product Image](#)
- [Spare Parts List All Pages](#)
- [Specifications](#)
- [Wiring Diagram](#)

**Related Items**

- [AOYG24KATA](#) 6.8kW Economy Outdoor Unit - R32 Single Phase
- [AOYG24KBTB](#) 6.8kW Standard Outdoor Unit - R32 Single Phase
- [UTGUFYFW](#) Compact Cassette Grid Grille
- [UTYRNRZ5](#) Touch Screen Remote Controller
- [UTYTFXSZ1](#) Wireless LAN interface
- [UTRYDZB](#) Air Outlet Shutter Plate for Compact Cassette
- [UTZXAA](#) Fresh Air Intake Kit for Compact Cassette
- [UTYRCRYZ1](#) Compact Simple Remote controller
- [UTYRVNYM](#) LCD Wired Remote Controller
- [UTYRHRV](#) Simple Remote Controller (without Master Control)
- [UTYRSRY](#) Simple Remote Controller (with Master Control)
- [UTYRSNYM](#) Simplified Wired Remote Controller
- [UTYLNTY](#) Wireless Remote Controller
- [UTYTERX](#) External switch controller
- [FJRCWIF1](#) IntesisHome Wireless LAN Adapter for Splits & VRF
- [UTYXWZXZG](#) External Connect Kit
- [UTYVTGX](#) Splits Network Converter (DC Powered)
- [UTYVTGXV](#) Splits Network Converter (AC Powered)
- [UTYXCXS](#) External Input / Output PCB
- [UTZGXRA](#) External Input / output PCB Box



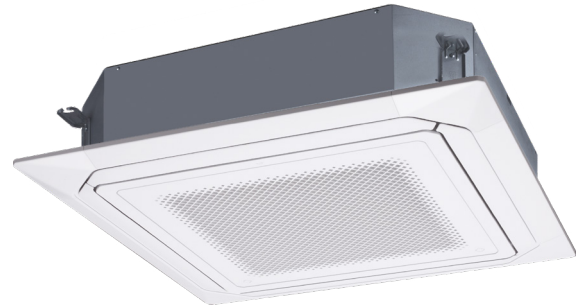
a: Ceiling openings		
Cassette grille (Option [Grid type])	mm	580 to 610

\*Specifications and design are subject to change without notice for further improvement.  
 •Actual products' colors may be different from the colors shown in this printed material.

## AUXG18KRLB

Please visit our [webstore](#) for full product and technical documentation 

Unit Type	Circular Flow Cassette	
Remote Controller	Option	
Nominal Cooling Capacity (kW)	5.2	
Nominal Heating Capacity (kW)	6.0	
Height (mm)	246	
Width (mm)	840	
Depth (mm)	840	
Weight (kg)	23	
Grille	UTGUKYAW	
Grille Dimensions (HxWxD) (mm)	53 x 950 x 950	
Grille Weight (kg)	6	
Airflow Rate - Cooling - High (m <sup>3</sup> /h)	1050	
Airflow Rate - Heating - High (m <sup>3</sup> /h)	1050	
Sound Pressure Level - Cooling - High (dB(A))	33	
Sound Pressure Level - Cooling - Low (dB(A))	28	
Sound Pressure Level - Heating - High (dB(A))	33	
Sound Pressure Level - Heating - Low (dB(A))	28	
Sound Power Level - Cooling - High (dB(A))	47	
Sound Power Level - Heating - High (dB(A))	47	
Moisture Removal (l/h)	1.5	
Refrigerant Type (Global Warming Potential)	R32 (675)	
Liquid Pipe Size	1/4"	
Gas Pipe Size	1/2"	
Unit Power Supply	From Outdoor Unit	



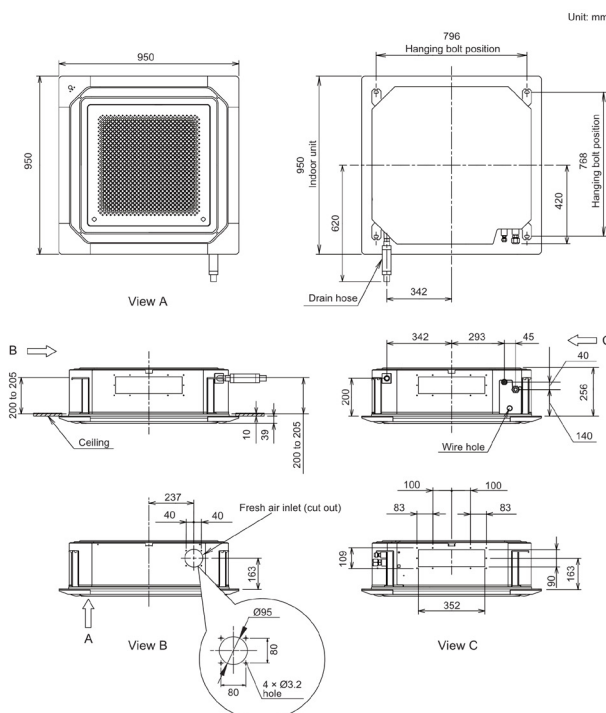
### Document Downloads

[Airflow - Fan Curve](#)  
[Controls & Accessories](#)  
[Dimensional Drawing](#)  
[Function Settings](#)  
[Inputs & Outputs](#)  
[Installation Manual](#)  
[Noise Curve](#)  
[Operation Manual](#)  
[Product Image](#)

[Spare Parts List All Pages](#)  
[Specifications](#)  
[Wiring Diagram](#)

### Related Items

[AOYG18KATA](#) 5.2kW Economy Outdoor Unit - R32 Single Phase  
[AOYG18KBTB](#) 5.2kW Standard Outdoor Unit - R32 Single Phase  
[UTGUKYAW](#) 360 Cassette Grille Including Controller  
[UTYFSSXZ1](#) Wireless LAN interface  
[UTZVXRA](#) Fresh Air Intake Kit for Cassette  
[UTYRCRYZ1](#) Compact Simple Remote controller  
[UTYRVNYM](#) LCD Wired Remote Controller  
[UTYRHRV](#) Simple Remote Controller (without Master Control)  
[UTYRSRY](#) Simple Remote Controller (with Master Control)  
[UTYRSNYM](#) Simplified Wired Remote Controller  
[UTYSHZXC](#) Human Sensor for Circular Flow Cassette  
[UTYTERX](#) External switch controller  
[FJRCWIFI1](#) IntesisHome Wireless LAN Adapter for Splits & VRF  
[UTYXCSX](#) External Input / Output PCB  
[UTZGXRA](#) External Input / output PCB Box  
[UTYLBTYC](#) Infra-Red Receiver Kit - 360 Cassettes  
[UTYXWZXZG](#) External Connect Kit  
[UTYVTGX](#) Splits Network Converter (DC Powered)  
[UTYVTGXV](#) Splits Network Converter (AC Powered)

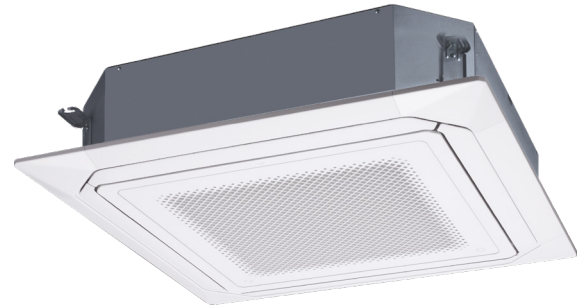


\*Specifications and design are subject to change without notice for further improvement.  
 •Actual products' colors may be different from the colors shown in this printed material.

## AUXG22KRLB

Please visit our webstore for full product and technical documentation 

Unit Type	Circular Flow Cassette	
Remote Controller	Option	
Nominal Cooling Capacity (kW)	6.0	
Nominal Heating Capacity (kW)	7.0	
Height (mm)	246	
Width (mm)	840	
Depth (mm)	840	
Weight (kg)	23	
Grille	UTGUKYAW	
Grille Dimensions (HxWxD) (mm)	53 x 950 x 950	
Grille Weight (kg)	6	
Airflow Rate - Cooling - High (m <sup>3</sup> /h)	1050	
Airflow Rate - Heating - High (m <sup>3</sup> /h)	1050	
Sound Pressure Level - Cooling - High (dB(A))	33	
Sound Pressure Level - Cooling - Low (dB(A))	28	
Sound Pressure Level - Heating - High (dB(A))	33	
Sound Pressure Level - Heating - Low (dB(A))	28	
Sound Power Level - Cooling - High (dB(A))	49	
Sound Power Level - Heating - High (dB(A))	49	
Moisture Removal (l/h)	2.2	
Refrigerant Type (Global Warming Potential)	R32 (675)	
Liquid Pipe Size	1/4"	
Gas Pipe Size	1/2"	
Unit Power Supply	From Outdoor Unit	



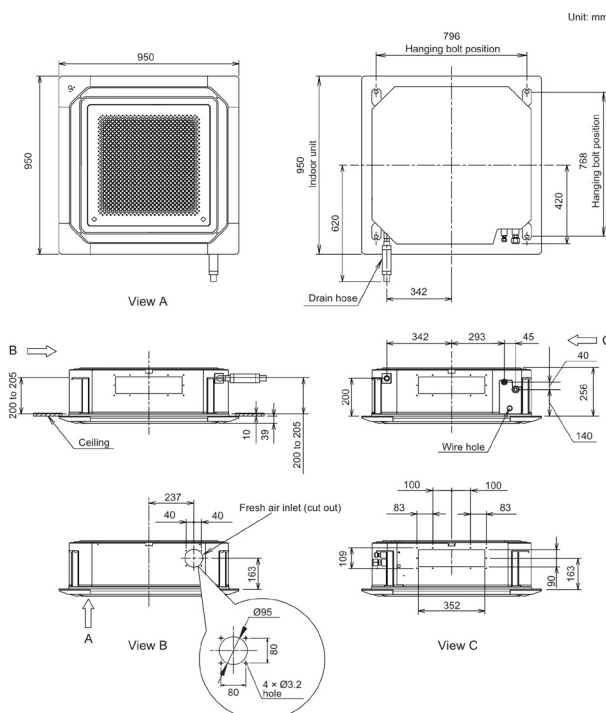
### Document Downloads

[Airflow - Fan Curve](#)  
[Controls & Accessories](#)  
[Dimensional Drawing](#)  
[Function Settings](#)  
[Inputs & Outputs](#)  
[Installation Manual](#)  
[Noise Curve](#)  
[Operation Manual](#)  
[Product Image](#)

[Spare Parts List All Pages](#)  
[Specifications](#)  
[Wiring Diagram](#)

### Related Items

[AOYG22KATA](#) 6.0kW Economy Outdoor Unit - R32 Single Phase  
[AOYG22KBTB](#) 6.0kW Standard Outdoor Unit - R32 Single Phase  
[UTGUKYAW](#) 360 Cassette Grille Including Controller  
[UTYF5SXZ1](#) Wireless LAN interface  
[UTZVXRRA](#) Fresh Air Intake Kit for Cassette  
[UTYRCRYZ1](#) Compact Simple Remote controller  
[UTYRVNYM](#) LCD Wired Remote Controller  
[UTYRHRY](#) Simple Remote Controller (without Master Control)  
[UTYRSRY](#) Simple Remote Controller (with Master Control)  
[UTYRSNYM](#) Simplified Wired Remote Controller  
[UTYSHZXC](#) Human Sensor for Circular Flow Cassette  
[UTYTERX](#) External switch controller  
[FJRCWIFI1](#) IntesisHome Wireless LAN Adapter for Splits & VRF  
[UTYXCSX](#) External Input / Output PCB  
[UTZGXRA](#) External Input / output PCB Box  
[UTYLBTYC](#) Infra-Red Receiver Kit - 360 Cassettes  
[UTYXWZXZG](#) External Connect Kit  
[UTYVTGX](#) Splits Network Converter (DC Powered)  
[UTYVTGXV](#) Splits Network Converter (AC Powered)



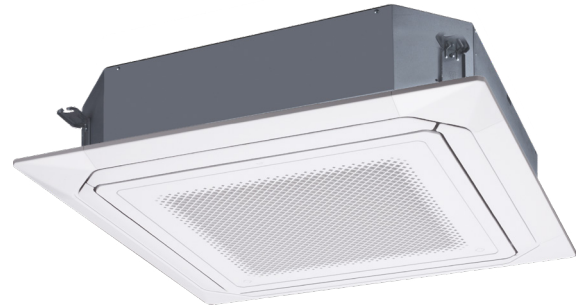
\*Specifications and design are subject to change without notice for further improvement.

\*Actual products' colors may be different from the colors shown in this printed material.

## AUXG24KRLB

Please visit our [webstore](#) for full product and technical documentation 

Unit Type	Circular Flow Cassette	
Remote Controller	Option	
Nominal Cooling Capacity (kW)	6.8	
Nominal Heating Capacity (kW)	7.5	
Height (mm)	246	
Width (mm)	840	
Depth (mm)	840	
Weight (kg)	24	
Grille	UTGUKYAW	
Grille Dimensions (HxWxD) (mm)	53 x 950 x 950	
Grille Weight (kg)	6	
Airflow Rate - Cooling - High (m <sup>3</sup> /h)	1150	
Airflow Rate - Heating - High (m <sup>3</sup> /h)	1150	
Sound Pressure Level - Cooling - High (dB(A))	35	
Sound Pressure Level - Cooling - Low (dB(A))	29	
Sound Pressure Level - Heating - High (dB(A))	35	
Sound Pressure Level - Heating - Low (dB(A))	29	
Sound Power Level - Cooling - High (dB(A))	49	
Sound Power Level - Heating - High (dB(A))	49	
Moisture Removal (l/h)	2.7	
Refrigerant Type (Global Warming Potential)	R32 (675)	
Liquid Pipe Size	1/4"	
Gas Pipe Size	1/2"	
Unit Power Supply	From Outdoor Unit	



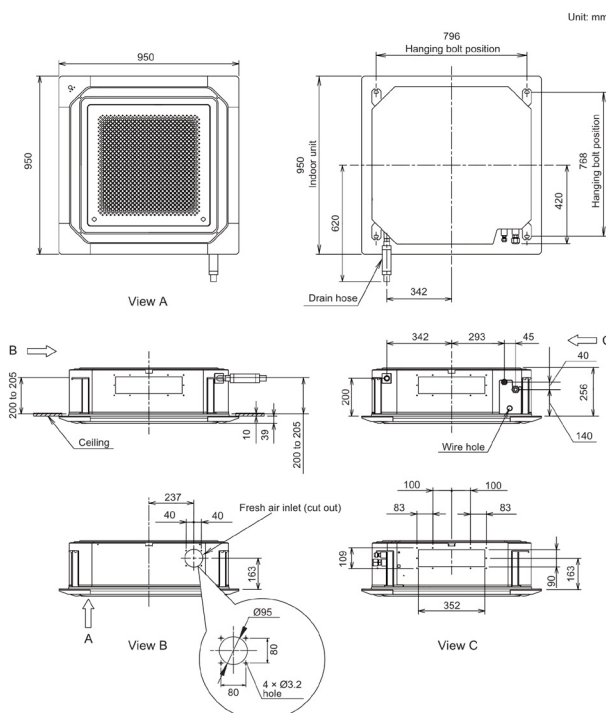
### Document Downloads

[Airflow - Fan Curve](#)  
[Controls & Accessories](#)  
[Dimensional Drawing](#)  
[Function Settings](#)  
[Inputs & Outputs](#)  
[Installation Manual](#)  
[Noise Curve](#)  
[Operation Manual](#)  
[Product Image](#)

[Spare Parts List All Pages](#)  
[Specifications](#)  
[Wiring Diagram](#)

### Related Items

[AOYG24KATA](#) 6.8kW Economy Outdoor Unit - R32 Single Phase  
[AOYG24KBTB](#) 6.8kW Standard Outdoor Unit - R32 Single Phase  
[UTGUKYAW](#) 360 Cassette Grille Including Controller  
[UTZVXRA](#) Fresh Air Intake Kit for Cassette  
[UTYTFESXZ1](#) Wireless LAN interface  
[UTYRCRYZ1](#) Compact Simple Remote controller  
[UTYRVNYM](#) LCD Wired Remote Controller  
[UTYRHRV](#) Simple Remote Controller (without Master Control)  
[UTYRSRY](#) Simple Remote Controller (with Master Control)  
[UTYRSNYM](#) Simplified Wired Remote Controller  
[UTYSHZXC](#) Human Sensor for Circular Flow Cassette  
[UTYTERX](#) External switch controller  
[FJRCWIFI1](#) IntesisHome Wireless LAN Adapter for Splits & VRF  
[UTYXCSX](#) External Input / Output PCB  
[UTZGXRA](#) External Input / output PCB Box  
[UTYLBTYC](#) Infra-Red Receiver Kit - 360 Cassettes  
[UTYXWZXZG](#) External Connect Kit  
[UTYVTGX](#) Splits Network Converter (DC Powered)  
[UTYVTGXV](#) Splits Network Converter (AC Powered)



\*Specifications and design are subject to change without notice for further improvement.

\*Actual products' colors may be different from the colors shown in this printed material.

## AUXG30KRLB

Please visit our [webstore](#) for full product and technical documentation 

Unit Type	Circular Flow Cassette	
Remote Controller	Option	
Nominal Cooling Capacity (kW)	8.5	
Nominal Heating Capacity (kW)	10.0	
Height (mm)	288	
Width (mm)	840	
Depth (mm)	840	
Weight (kg)	26	
Grille	UTGUKYAW	
Grille Dimensions (HxWxD) (mm)	53 x 950 x 950	
Grille Weight (kg)	6	
Airflow Rate - Cooling - High (m <sup>3</sup> /h)	1600	
Airflow Rate - Heating - High (m <sup>3</sup> /h)	1600	
Sound Pressure Level - Cooling - High (dB(A))	40	
Sound Pressure Level - Cooling - Low (dB(A))	33	
Sound Pressure Level - Heating - High (dB(A))	40	
Sound Pressure Level - Heating - Low (dB(A))	33	
Sound Power Level - Cooling - High (dB(A))	54	
Sound Power Level - Heating - High (dB(A))	54	
Moisture Removal (l/h)	2.5	
Refrigerant Type (Global Warming Potential)	R32 (675)	
Liquid Pipe Size	3/8"	
Gas Pipe Size	5/8"	
Unit Power Supply	From Outdoor Unit	



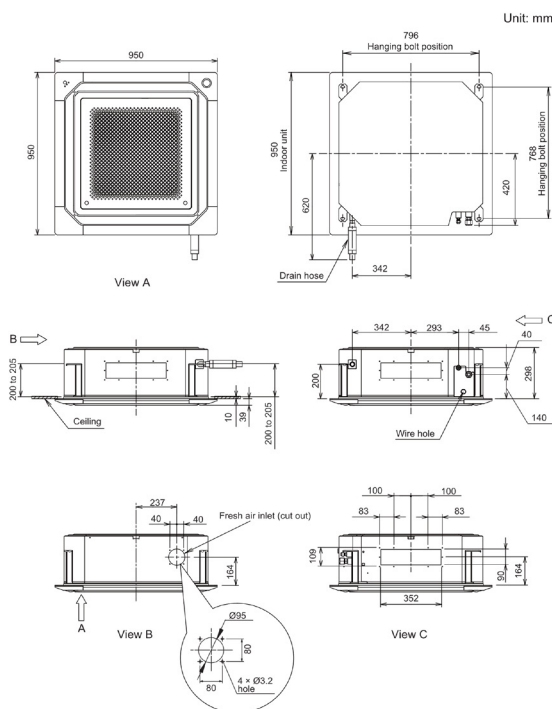
### Document Downloads

[Airflow - Fan Curve](#)  
[Controls & Accessories](#)  
[Dimensional Drawing](#)  
[Function Settings](#)  
[Inputs & Outputs](#)  
[Installation Manual](#)  
[Noise Curve](#)  
[Operation Manual](#)  
[Product Image](#)

[Spare Parts List All Pages](#)  
[Specifications](#)  
[Wiring Diagram](#)

### Related Items

[AOYG30KATA](#) 8.5kW Economy Outdoor Unit - R32 Single Phase  
[AOYG30KBTB](#) 8.5kW Standard Outdoor Unit - R32 Single Phase  
[UTGUKYAW](#) 360 Cassette Grille Including Controller  
[UTYFSSXZ1](#) Wireless LAN interface  
[UTZVXRRA](#) Fresh Air Intake Kit for Cassette  
[UTYRCRYZ1](#) Compact Simple Remote controller  
[UTYRVNYM](#) LCD Wired Remote Controller  
[UTYRHRY](#) Simple Remote Controller (without Master Control)  
[UTYRSRY](#) Simple Remote Controller (with Master Control)  
[UTYRSNYM](#) Simplified Wired Remote Controller  
[UTYSHZXC](#) Human Sensor for Circular Flow Cassette  
[UTYTERX](#) External switch controller  
[FJRCWIFI1](#) IntesisHome Wireless LAN Adapter for Splits & VRF  
[UTYXCSX](#) External Input / Output PCB  
[UTZGXRA](#) External Input / output PCB Box  
[UTYLBTYC](#) Infra-Red Receiver Kit - 360 Cassettes  
[UTYXWZXZG](#) External Connect Kit  
[UTYVTGX](#) Splits Network Converter (DC Powered)  
[UTYVTGXV](#) Splits Network Converter (AC Powered)



\*Specifications and design are subject to change without notice for further improvement.

\*Actual products' colors may be different from the colors shown in this printed material.

# AUXG36KRLB

Please visit our webstore for full product and technical documentation

Unit Type	Circular Flow Cassette	
Remote Controller	Option	
Nominal Cooling Capacity (kW)	9.5	
Nominal Heating Capacity (kW)	10.8	
Height (mm)	288	
Width (mm)	840	
Depth (mm)	840	
Weight (kg)	29	
Grille	UTGUKYAW	
Grille Dimensions (HxWxD) (mm)	53 x 950 x 950	
Grille Weight (kg)	6	
Airflow Rate - Cooling - High (m3/h)	1870	
Airflow Rate - Heating - High (m3/h)	1870	
Sound Pressure Level - Cooling - High (dB(A))	44	
Sound Pressure Level - Cooling - Low (dB(A))	34	
Sound Pressure Level - Heating - High (dB(A))	44	
Sound Pressure Level - Heating - Low (dB(A))	34	
Sound Power Level - Cooling - High (dB(A))	58	
Sound Power Level - Heating - High (dB(A))	58	
Moisture Removal (l/h)	3.3	
Refrigerant Type (Global Warming Potential)	R32 (675)	
Liquid Pipe Size	3/8"	
Gas Pipe Size	5/8"	
Unit Power Supply	From Outdoor Unit	

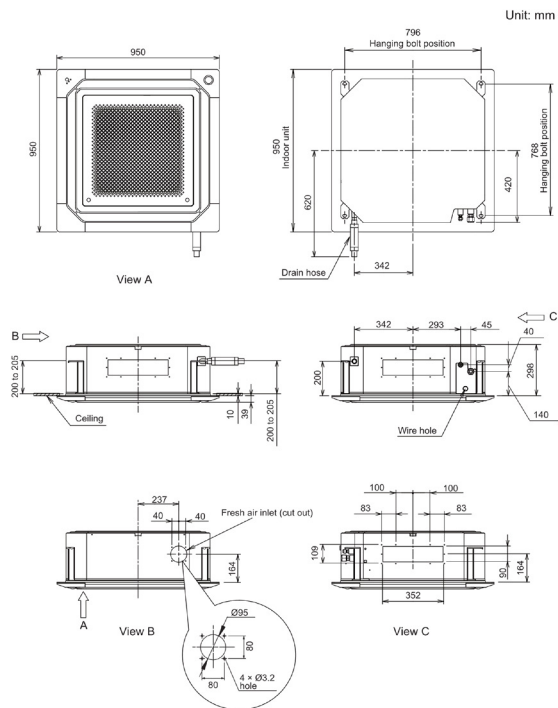


### Document Downloads

- [Airflow - Fan Curve](#)
- [Controls & Accessories](#)
- [Dimensional Drawing](#)
- [Function Settings](#)
- [Inputs & Outputs](#)
- [Installation Manual](#)
- [Noise Curve](#)
- [Operation Manual](#)
- [Product Image](#)
- [Spare Parts List All Pages](#)
- [Specifications](#)
- [Wiring Diagram](#)

### Related Items

- [AOYG36KATA](#) 9.5kW Economy Outdoor Unit - R32 Single Phase
- [AOYG36KQTA](#) 9.5kW Economy Outdoor Unit - R32 Three Phase
- [AOYG36KBTB](#) 9.5kW Standard Outdoor Unit - R32 Single Phase
- [AOYG36KRTA](#) 9.5kW Standard Outdoor Unit - R32 Three Phase
- [UTGUKYAW](#) 360 Cassette Grille Including Controller
- [UTYTF5XZ1](#) Wireless LAN interface
- [UTZVXRA](#) Fresh Air Intake Kit for Cassette
- [UTYRCRYZ1](#) Compact Simple Remote controller
- [UTYRVNYM](#) LCD Wired Remote Controller
- [UTYRHRY](#) Simple Remote Controller (without Master Control)
- [UTYRSRY](#) Simple Remote Controller (with Master Control)
- [UTYRSNYM](#) Simplified Wired Remote Controller
- [UTYSHZXC](#) Human Sensor for Circular Flow Cassette
- [UTYTERX](#) External switch controller
- [FJRCWIF1](#) IntesisHome Wireless LAN Adapter for Splits & VRF
- [UTYXCSX](#) External Input / Output PCB
- [UTZGXRA](#) External Input / output PCB Box
- [UTYLBTYC](#) Infra-Red Receiver Kit - 360 Cassettes
- [UTYXWZXZG](#) External Connect Kit
- [UTYVTGX](#) Splits Network Converter (DC Powered)
- [UTYVTGXV](#) Splits Network Converter (AC Powered)



\*Specifications and design are subject to change without notice for further improvement.  
 •Actual products' colors may be different from the colors shown in this printed material.



## AUXG45KRLB

Please visit our webstore for full product and technical documentation 

Unit Type	Circular Flow Cassette	
Remote Controller	Option	
Nominal Cooling Capacity (kW)	12.1	
Nominal Heating Capacity (kW)	13.5	
Height (mm)	288	
Width (mm)	840	
Depth (mm)	840	
Weight (kg)	29	
Grille	UTGUKYAW	
Grille Dimensions (HxWxD) (mm)	53 x 950 x 950	
Grille Weight (kg)	6	
Airflow Rate - Cooling - High (m <sup>3</sup> /h)	2000	
Airflow Rate - Heating - High (m <sup>3</sup> /h)	2000	
Sound Pressure Level - Cooling - High (dB(A))	46	
Sound Pressure Level - Cooling - Low (dB(A))	35	
Sound Pressure Level - Heating - High (dB(A))	46	
Sound Pressure Level - Heating - Low (dB(A))	35	
Sound Power Level - Cooling - High (dB(A))	60	
Sound Power Level - Heating - High (dB(A))	60	
Moisture Removal (l/h)	4.5	
Refrigerant Type (Global Warming Potential)	R32 (675)	
Liquid Pipe Size	3/8"	
Gas Pipe Size	5/8"	
Unit Power Supply	From Outdoor Unit	



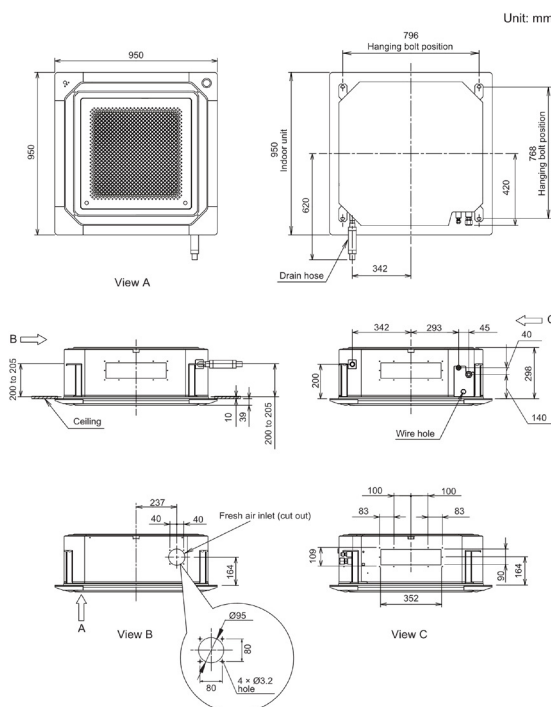
### Document Downloads

[Airflow - Fan Curve](#)  
[Controls & Accessories](#)  
[Dimensional Drawing](#)  
[Function Settings](#)  
[Inputs & Outputs](#)  
[Installation Manual](#)  
[Noise Curve](#)  
[Operation Manual](#)  
[Product Image](#)

[Spare Parts List All Pages](#)  
[Specifications](#)  
[Wiring Diagram](#)

### Related Items

[AOYG45KATA](#) 12.1kW Economy Outdoor Unit - R32 Single Phase  
[AOYG45KQTA](#) 12.1kW Economy Outdoor Unit - R32 Three Phase  
[AOYG45KBTB](#) 12.1kW Standard Outdoor Unit - R32 Single Phase  
[AOYG45KRTA](#) 12.1kW Standard Outdoor Unit - R32 Three Phase  
[UTGUKYAW](#) 360 Cassette Grille Including Controller  
[UTYTF5XZ1](#) Wireless LAN interface  
[UTZVXRA](#) Fresh Air Intake Kit for Cassette  
[UTYRCRYZ1](#) Compact Simple Remote controller  
[UTYRVNYM](#) LCD Wired Remote Controller  
[UTYRHRY](#) Simple Remote Controller (without Master Control)  
[UTYRSRY](#) Simple Remote Controller (with Master Control)  
[UTYRSNYM](#) Simplified Wired Remote Controller  
[UTYSHZXC](#) Human Sensor for Circular Flow Cassette  
[UTYTERX](#) External switch controller  
[FJRCWIF1](#) IntesisHome Wireless LAN Adapter for Splits & VRF  
[UTYXCSX](#) External Input / Output PCB  
[UTZGXRA](#) External Input / output PCB Box  
[UTYLBTYC](#) Infra-Red Receiver Kit - 360 Cassettes  
[UTYXWZXZG](#) External Connect Kit  
[UTYVTGX](#) Splits Network Converter (DC Powered)  
[UTYVTGXV](#) Splits Network Converter (AC Powered)



\*Specifications and design are subject to change without notice for further improvement.

\*Actual products' colors may be different from the colors shown in this printed material.

## AUXG54KRLB

Please visit our webstore for full product and technical documentation 

Unit Type	Circular Flow Cassette	
Remote Controller	Option	
Nominal Cooling Capacity (kW)	13.4	
Nominal Heating Capacity (kW)	15.5	
Height (mm)	288	
Width (mm)	840	
Depth (mm)	840	
Weight (kg)	29	
Grille	UTGUKYAW	
Grille Dimensions (HxWxD) (mm)	53 x 950 x 950	
Grille Weight (kg)	6	
Airflow Rate - Cooling - High (m3/h)	2100	
Airflow Rate - Heating - High (m3/h)	2100	
Sound Pressure Level - Cooling - High (dB(A))	47	
Sound Pressure Level - Cooling - Low (dB(A))	36	
Sound Pressure Level - Heating - High (dB(A))	47	
Sound Pressure Level - Heating - Low (dB(A))	36	
Sound Power Level - Cooling - High (dB(A))	61	
Sound Power Level - Heating - High (dB(A))	61	
Moisture Removal (l/h)	5	
Refrigerant Type (Global Warming Potential)	R32 (675)	
Liquid Pipe Size	3/8"	
Gas Pipe Size	5/8"	
Unit Power Supply	From Outdoor Unit	



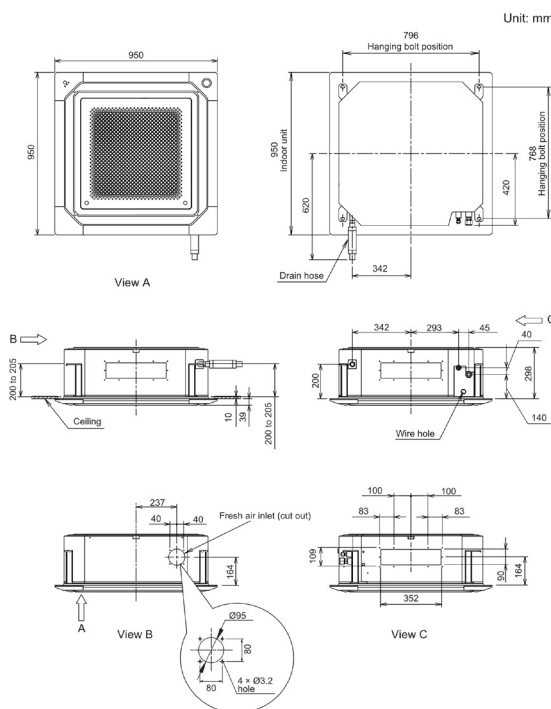
### Document Downloads

[Airflow - Fan Curve](#)  
[Controls & Accessories](#)  
[Dimensional Drawing](#)  
[Function Settings](#)  
[Inputs & Outputs](#)  
[Installation Manual](#)  
[Noise Curve](#)  
[Operation Manual](#)  
[Product Image](#)

[Spare Parts List All Pages](#)  
[Specifications](#)  
[Wiring Diagram](#)

### Related Items

[AOYG54KATA](#) 13.4kW Economy Outdoor Unit - R32 Single Phase  
[AOYG54KQTA](#) 13.4kW Economy Outdoor Unit - R32 Three Phase  
[AOYG54KBTB](#) 13.4kW Standard Outdoor Unit - R32 Single Phase  
[AOYG54KRTA](#) 13.4kW Standard Outdoor Unit - R32 Three Phase  
[UTGUKYAW](#) 360 Cassette Grille Including Controller  
[UTYTF5XZ1](#) Wireless LAN interface  
[UTZVXRA](#) Fresh Air Intake Kit for Cassette  
[UTYRCRYZ1](#) Compact Simple Remote controller  
[UTYRVNYM](#) LCD Wired Remote Controller  
[UTYRHRV](#) Simple Remote Controller (without Master Control)  
[UTYRSRY](#) Simple Remote Controller (with Master Control)  
[UTYRSNYM](#) Simplified Wired Remote Controller  
[UTYSHZXC](#) Human Sensor for Circular Flow Cassette  
[UTYTERX](#) External switch controller  
[FJRCWIF1](#) IntesisHome Wireless LAN Adapter for Splits & VRF  
[UTYXCSX](#) External Input / Output PCB  
[UTZGXRA](#) External Input / output PCB Box  
[UTYLBTYC](#) Infra-Red Receiver Kit - 360 Cassettes  
[UTYXWZXZG](#) External Connect Kit  
[UTYVTGX](#) Splits Network Converter (DC Powered)  
[UTYVTGXV](#) Splits Network Converter (AC Powered)



\*Specifications and design are subject to change without notice for further improvement.  
 •Actual products' colors may be different from the colors shown in this printed material.

# ARXG07KLLAP

Please visit our webstore for full product and technical documentation 

Unit Type	Slim Ducted	
Remote Controller	Option	
Nominal Cooling Capacity (kW)	2.0	
Height (mm)	198	
Width (mm)	700	
Depth (mm)	620	
Weight (kg)	16	
Standard Static Pressure (Pa)	25	
Static Pressure Ranget (Pa)	0 to 90	
Airflow Rate - Cooling - High (m3/h)	550	
Airflow Rate - Heating - High (m3/h)	550	
Sound Pressure Level - Cooling - High (dB(A))	28	
Sound Pressure Level - Cooling - Low (dB(A))	25	
Sound Pressure Level - Heating - High (dB(A))	28	
Sound Pressure Level - Heating - Low (dB(A))	24	
Sound Power Level - Cooling - High (dB(A))	57	
Sound Power Level - Heating - High (dB(A))	57	
Moisture Removal (l/h)	0.7	
Refrigerant Type (Global Warming Potential)	R32 (675)	
Liquid Pipe Size	1/4"	
Gas Pipe Size	3/8"	
Unit Power Supply	From Outdoor Unit	

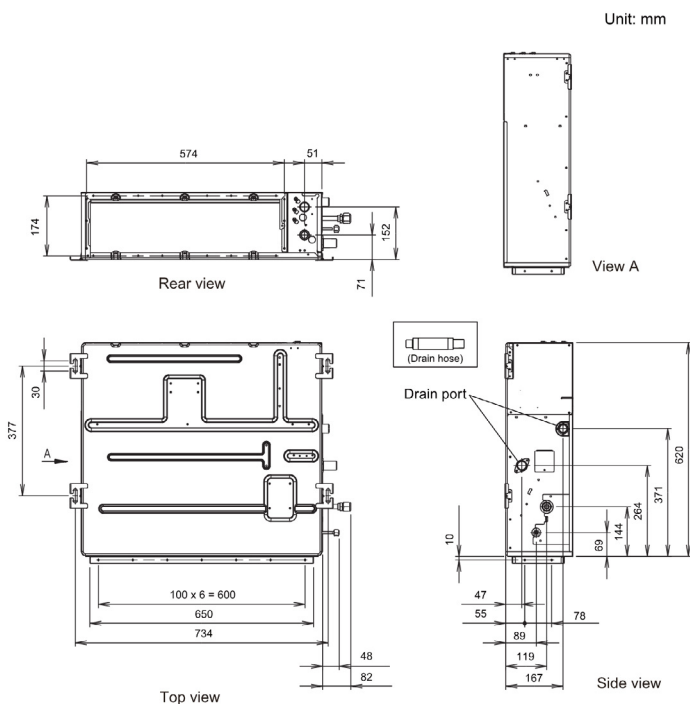


### Document Downloads

- [Air Distribution](#)
- [Airflow](#)
- [Controls & Accessories](#)
- [Dimensional Drawing](#)
- [Electrical Characteristics](#)
- [Fan Curve](#)
- [Function Settings](#)
- [Inputs & Outputs](#)
- [Installation Manual](#)
- [Noise Curve](#)
- [Operation Manual](#)
- [Product Image](#)
- [Spare Parts List All Pages](#)
- [Specifications](#)
- [Wiring Diagram](#)

### Related Items

- [AOYG14KBTA2](#) 4.0kW 2 Way Multi Outdoor Unit - R32 1 Ph
- [AOYG18KBTA2](#) 5.0kW 2 Way Multi Outdoor Unit - R32 1 Ph
- [AOYG18KBTA3](#) 5.4kW 3 Way Multi Outdoor Unit - R32 1 Ph
- [AOYG24KBTA3](#) 6.8kW 3 Way Multi Outdoor Unit - R32 1 Ph
- [AOYG30KBTA4](#) 8.0kW 4 Way Multi Outdoor Unit - R32 1 Ph
- [AOYG36KBTA5](#) 10.0kW 5 Way Multi Outdoor Unit - R32 1 Ph
- [UTZXAA](#) Fresh Air Intake Kit for Compact Cassette
- [UTDXTAW](#) Auto Louvre Grille Kit (Size 07-14 IU's)
- [UTYTFXSZ1](#) Wireless LAN interface
- [UTYRNRZY5](#) Touch Screen Remote Controller
- [UTYRCRYZ1](#) Compact Simple Remote controller
- [UTYRVNYM](#) LCD Wired Remote Controller
- [UTYRHRY](#) Simple Remote Controller (without Master Control)
- [UTYRSRY](#) Simple Remote Controller (with Master Control)
- [UTYRSNYM](#) Simplified Wired Remote Controller
- [UTYTERX](#) External switch controller
- [FJRCWIF1](#) IntesisHome Wireless LAN Adapter for Splits & VRF
- [UTYXSZX](#) Remote Sensor Unit (for All Duct type)
- [UTYLBTYM](#) Infra-Red Receiver Kit, Receiver Wire -9710358012
- [UTYVTGX](#) Splits Network Converter (DC Powered)
- [UTYVTGXV](#) Splits Network Converter (AC Powered)
- [UTYXWZXZG](#) External Connect Kit



\*Specifications and design are subject to change without notice for further improvement.

\*Actual products' colors may be different from the colors shown in this printed material.

# ARXG09KLLAP

Please visit our webstore for full product and technical documentation 

Unit Type	Slim Ducted	
Remote Controller	Option	
Nominal Cooling Capacity (kW)		2.5
Nominal Heating Capacity (kW)		3.2
Height (mm)		198
Width (mm)		700
Depth (mm)		620
Weight (kg)		17
Standard Static Pressure (Pa)		25
Static Pressure Ranget (Pa)		0 to 90
Airflow Rate - Cooling - High (m3/h)		600
Airflow Rate - Heating - High (m3/h)		600
Sound Pressure Level - Cooling - High (dB(A))		28
Sound Pressure Level - Cooling - Low (dB(A))		25
Sound Pressure Level - Heating - High (dB(A))		28
Sound Pressure Level - Heating - Low (dB(A))		24
Sound Power Level - Cooling - High (dB(A))		57
Sound Power Level - Heating - High (dB(A))		57
Moisture Removal (l/h)		0.7
Refrigerant Type (Global Warming Potential)		R32 (675)
Liquid Pipe Size		1/4"
Gas Pipe Size		3/8"
Unit Power Supply		From Outdoor Unit

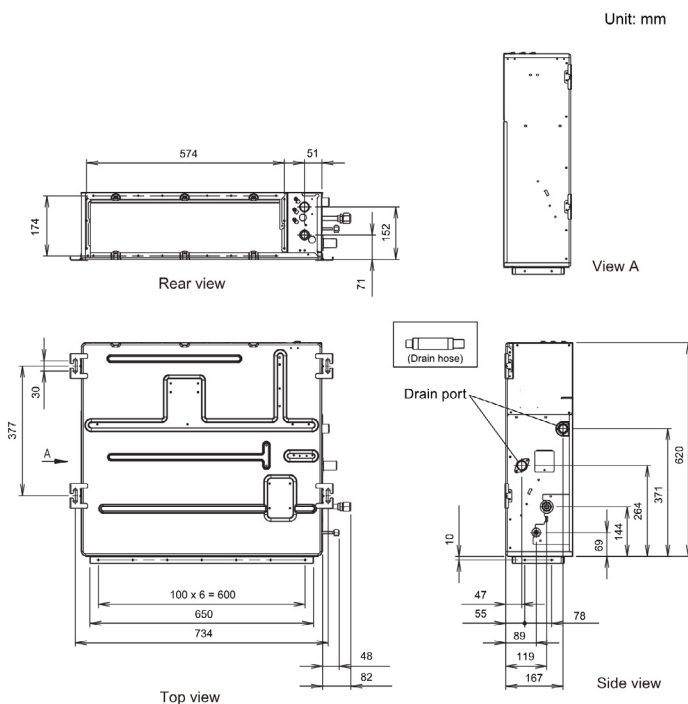


### Document Downloads

- [Airflow - Fan Curve](#)
- [Controls & Accessories](#)
- [Dimensional Drawing](#)
- [Electrical Characteristics](#)
- [Function Settings](#)
- [Inputs & Outputs](#)
- [Installation Manual](#)
- [Noise Curve](#)
- [Operation Manual](#)
- [Product Image](#)
- [Spare Parts List All Pages](#)
- [Specifications](#)
- [Wiring Diagram](#)

### Related Items

- [AOYG09KATA](#) 2.5kW Economy Outdoor Unit - R32 Single Phase
- [AOYG09KBTB](#) 2.5kW Outdoor Unit - R32 Single Phase
- [AOYG14KBTA2](#) 4.0kW 2 Way Multi Outdoor Unit - R32 1 Ph
- [AOYG18KBTA2](#) 5.0kW 2 Way Multi Outdoor Unit - R32 1 Ph
- [AOYG18KBTA3](#) 5.4kW 3 Way Multi Outdoor Unit - R32 1 Ph
- [AOYG24KBTA3](#) 6.8kW 3 Way Multi Outdoor Unit - R32 1 Ph
- [AOYG30KBTA4](#) 8.0kW 4 Way Multi Outdoor Unit - R32 1 Ph
- [AOYG36KBTA5](#) 10.0kW 5 Way Multi Outdoor Unit - R32 1 Ph
- [UTZVXAA](#) Fresh Air Intake Kit for Compact Cassette
- [UTDGXTAW](#) Auto Louvre Grille Kit (Size 07-14 IU's)
- [UTYTFXSZ1](#) Wireless LAN interface
- [UTYRNRZY5](#) Touch Screen Remote Controller
- [UTYRCRYZ1](#) Compact Simple Remote controller
- [UTYRVNYM](#) LCD Wired Remote Controller
- [UTYRHRY](#) Simple Remote Controller (without Master Control)
- [UTYRSRY](#) Simple Remote Controller (with Master Control)
- [UTYRSNYM](#) Simplified Wired Remote Controller
- [UTYTERX](#) External switch controller
- [FJRCWIF11](#) IntesisHome Wireless LAN Adapter for Splits & VRF
- [UTYXSZX](#) Remote Sensor Unit (for All Duct type)
- [UTYLBTYM](#) Infra-Red Receiver Kit, Receiver Wire -9710358012
- [UTYVTGX](#) Splits Network Converter (DC Powered)
- [UTYVTGXV](#) Splits Network Converter (AC Powered)
- [UTYXWZXZG](#) External Connect Kit



\*Specifications and design are subject to change without notice for further improvement.

\*Actual products' colors may be different from the colors shown in this printed material.

# ARXG12KLLAP

Please visit our webstore for full product and technical documentation 

Unit Type	Slim Ducted	
Remote Controller	Option	
Nominal Cooling Capacity (kW)	3.5	
Nominal Heating Capacity (kW)	4.1	
Height (mm)	198	
Width (mm)	700	
Depth (mm)	620	
Weight (kg)	17	
Standard Static Pressure (Pa)	25	
Static Pressure Ranget (Pa)	0 to 90	
Airflow Rate - Cooling - High (m3/h)	650	
Airflow Rate - Heating - High (m3/h)	650	
Sound Pressure Level - Cooling - High (dB(A))	29	
Sound Pressure Level - Cooling - Low (dB(A))	25	
Sound Pressure Level - Heating - High (dB(A))	29	
Sound Pressure Level - Heating - Low (dB(A))	24	
Sound Power Level - Cooling - High (dB(A))	58	
Sound Power Level - Heating - High (dB(A))	58	
Moisture Removal (l/h)	1.3	
Refrigerant Type (Global Warming Potential)	R32 (675)	
Liquid Pipe Size	1/4"	
Gas Pipe Size	3/8"	
Unit Power Supply	From Outdoor Unit	

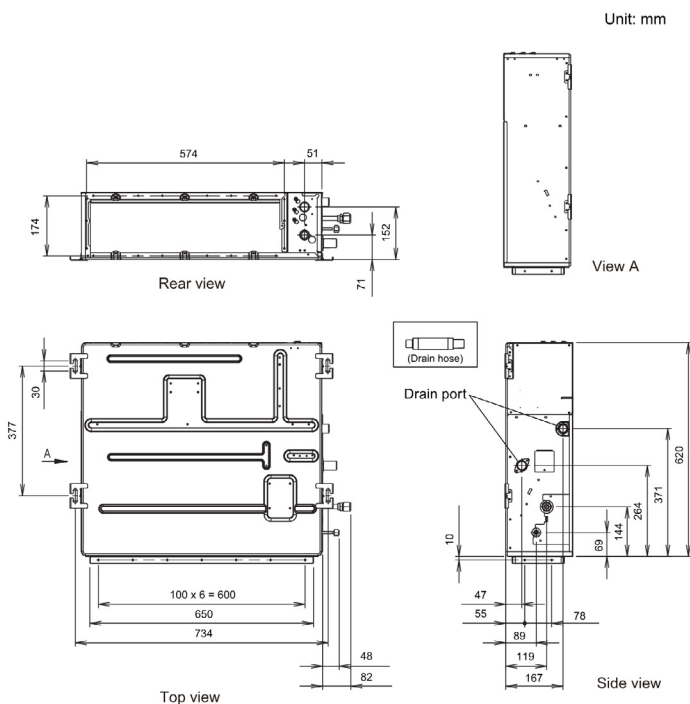


### Document Downloads

- [Airflow - Fan Curve](#)
- [Controls & Accessories](#)
- [Dimensional Drawing](#)
- [Electrical Characteristics](#)
- [Function Settings](#)
- [Inputs & Outputs](#)
- [Installation Manual](#)
- [Noise Curve](#)
- [Operation Manual](#)
- [Product Image](#)
- [Spare Parts List All Pages](#)
- [Specifications](#)
- [Wiring Diagram](#)

### Related Items

- [AOYG12KATA](#) 3.5kW Economy Outdoor Unit - R32 Single Phase
- [AOYG12KBTB](#) 3.5kW Standard Outdoor Unit - R32 Single Phase
- [AOYG14KBTA2](#) 4.0kW 2 Way Multi Outdoor Unit - R32 1 Ph
- [AOYG18KBTA2](#) 5.0kW 2 Way Multi Outdoor Unit - R32 1 Ph
- [AOYG18KBTA3](#) 5.4kW 3 Way Multi Outdoor Unit - R32 1 Ph
- [AOYG24KBTA3](#) 6.8kW 3 Way Multi Outdoor Unit - R32 1 Ph
- [AOYG30KBTA4](#) 8.0kW 4 Way Multi Outdoor Unit - R32 1 Ph
- [AOYG36KBTA5](#) 10.0kW 5 Way Multi Outdoor Unit - R32 1 Ph
- [UTYRNRZY5](#) Touch Screen Remote Controller
- [UTYTFSXZ1](#) Wireless LAN interface
- [UTZVXAA](#) Fresh Air Intake Kit for Compact Cassette
- [UTDGXTAW](#) Auto Louvre Grille Kit (Size 07-14 IU's)
- [UTYRCRYZ1](#) Compact Simple Remote controller
- [UTYRVNYM](#) LCD Wired Remote Controller
- [UTYRHRY](#) Simple Remote Controller (without Master Control)
- [UTYRSRY](#) Simple Remote Controller (with Master Control)
- [UTYRSNYM](#) Simplified Wired Remote Controller
- [UTYTERX](#) External switch controller
- [FJRCWIF11](#) IntesisHome Wireless LAN Adapter for Splits & VRF
- [UTYXSZX](#) Remote Sensor Unit (for All Duct type)
- [UTYLBTYM](#) Infra-Red Receiver Kit, Receiver Wire -9710358012
- [UTYVTGX](#) Splits Network Converter (DC Powered)
- [UTYVTGXV](#) Splits Network Converter (AC Powered)
- [UTYXWZXZG](#) External Connect Kit



\*Specifications and design are subject to change without notice for further improvement.  
 •Actual products' colors may be different from the colors shown in this printed material.

# ARXG14KLLAP

Please visit our [webstore](#) for full product and technical documentation

Unit Type	Slim Ducted	
Remote Controller	Option	
Nominal Cooling Capacity (kW)	4.3	
Nominal Heating Capacity (kW)	5.0	
Height (mm)	198	
Width (mm)	700	
Depth (mm)	620	
Weight (kg)	17	
Standard Static Pressure (Pa)	25	
Static Pressure Ranget (Pa)	0 to 90	
Airflow Rate - Cooling - High (m3/h)	800	
Airflow Rate - Heating - High (m3/h)	800	
Sound Pressure Level - Cooling - High (dB(A))	32	
Sound Pressure Level - Cooling - Low (dB(A))	26	
Sound Pressure Level - Heating - High (dB(A))	32	
Sound Pressure Level - Heating - Low (dB(A))	25	
Sound Power Level - Cooling - High (dB(A))	60	
Sound Power Level - Heating - High (dB(A))	60	
Moisture Removal (l/h)	1.5	
Refrigerant Type (Global Warming Potential)	R32 (675)	
Liquid Pipe Size	1/4"	
Gas Pipe Size	3/8"	
Unit Power Supply	From Outdoor Unit	

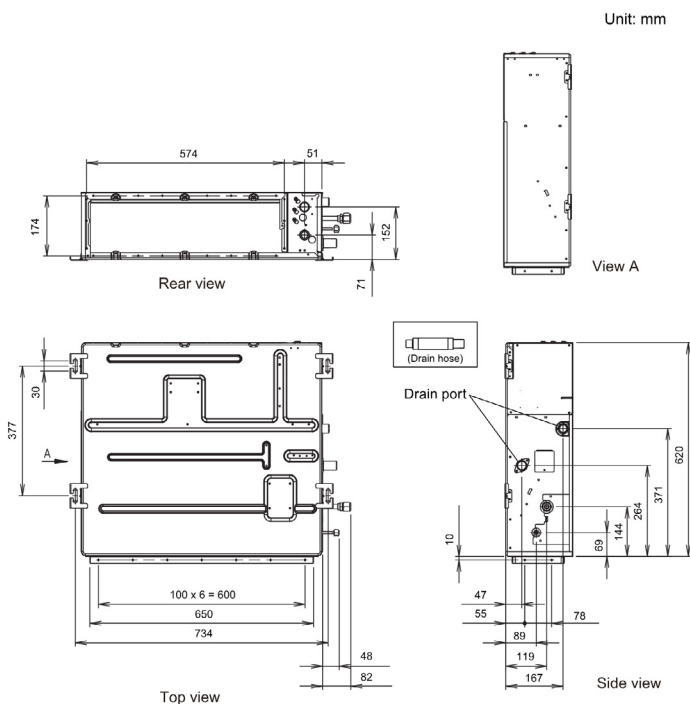


**Document Downloads**

- [Airflow - Fan Curve](#)
- [Product Image](#)
- [Controls & Accessories](#)
- [Spare Parts List All Pages](#)
- [Dimensional Drawing](#)
- [Specifications](#)
- [Electrical Characteristics](#)
- [Wiring Diagram](#)
- [Function Settings](#)
- [Inputs & Outputs](#)
- [Installation Manual](#)
- [Noise Curve](#)
- [Operation Manual](#)

**Related Items**

- [AOYG14KATA](#) 4.3kW Economy Outdoor Unit - R32 Single Phase
- [AOYG14KBTB](#) 4.3kW Standard Outdoor Unit - R32 Single Phase
- [AOYG14KBTA2](#) 4.0kW 2 Way Multi Outdoor Unit - R32 1 Ph
- [AOYG18KBTA2](#) 5.0kW 2 Way Multi Outdoor Unit - R32 1 Ph
- [AOYG18KBTA3](#) 5.4kW 3 Way Multi Outdoor Unit - R32 1 Ph
- [AOYG24KBTA3](#) 6.8kW 3 Way Multi Outdoor Unit - R32 1 Ph
- [AOYG30KBTA4](#) 8.0kW 4 Way Multi Outdoor Unit - R32 1 Ph
- [AOYG36KBTA5](#) 10.0kW 5 Way Multi Outdoor Unit - R32 1 Ph
- [UTYRNRZY5](#) Touch Screen Remote Controller
- [UTYTFSXZ1](#) Wireless LAN interface
- [UTZVXAA](#) Fresh Air Intake Kit for Compact Cassette
- [UTDGXTAW](#) Auto Louvre Grille Kit (Size 07-14 IU's)
- [UTYRCRYZ1](#) Compact Simple Remote controller
- [UTYRVNYM](#) LCD Wired Remote Controller
- [UTYRHRY](#) Simple Remote Controller (without Master Control)
- [UTYRSRY](#) Simple Remote Controller (with Master Control)
- [UTYRSNYM](#) Simplified Wired Remote Controller
- [UTYTERX](#) External switch controller
- [FJRCWIF11](#) IntesisHome Wireless LAN Adapter for Splits & VRF
- [UTYXSZX](#) Remote Sensor Unit (for All Duct type)
- [UTYLBTYM](#) Infra-Red Receiver Kit, Receiver Wire -9710358012
- [UTYVTGX](#) Splits Network Converter (DC Powered)
- [UTYVTGXV](#) Splits Network Converter (AC Powered)
- [UTYXWZXZG](#) External Connect Kit

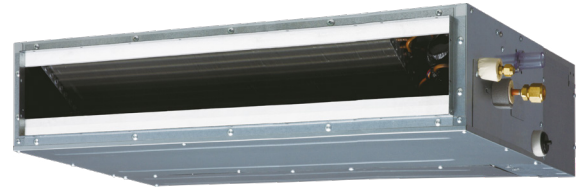


\*Specifications and design are subject to change without notice for further improvement.  
 •Actual products' colors may be different from the colors shown in this printed material.

# ARXG18KLLAP

Please visit our webstore for full product and technical documentation 

Unit Type	Slim Ducted	
Remote Controller	Option	
Nominal Cooling Capacity (kW)	5.2	
Nominal Heating Capacity (kW)	6.0	
Height (mm)	198	
Width (mm)	900	
Depth (mm)	620	
Weight (kg)	20	
Standard Static Pressure (Pa)	25	
Static Pressure Ranget (Pa)	0 to 90	
Airflow Rate - Cooling - High (m3/h)	940	
Airflow Rate - Heating - High (m3/h)	940	
Sound Pressure Level - Cooling - High (dB(A))	32	
Sound Pressure Level - Cooling - Low (dB(A))	27	
Sound Pressure Level - Heating - High (dB(A))	32	
Sound Pressure Level - Heating - Low (dB(A))	27	
Sound Power Level - Cooling - High (dB(A))	58	
Sound Power Level - Heating - High (dB(A))	58	
Moisture Removal (l/h)	2	
Refrigerant Type (Global Warming Potential)	R32 (675)	
Liquid Pipe Size	1/4"	
Gas Pipe Size	1/2"	
Unit Power Supply	From Outdoor Unit	



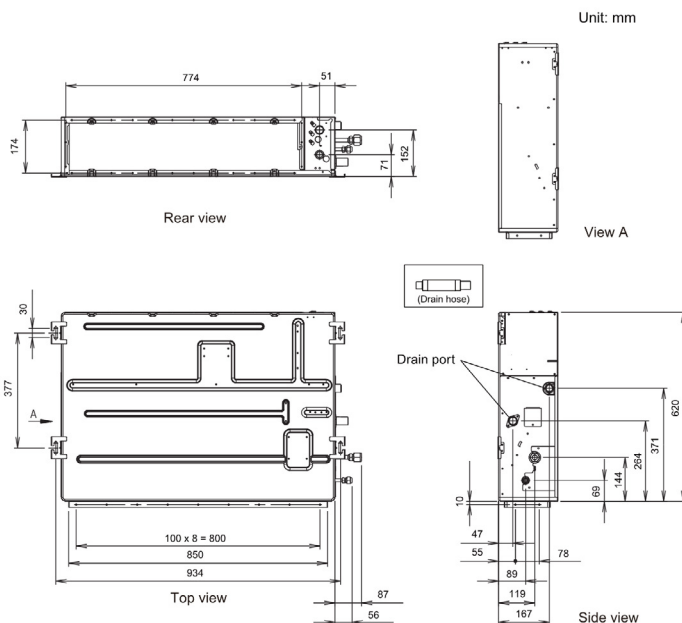
### Document Downloads

- [Airflow - Fan Curve](#)
- [Controls & Accessories](#)
- [Dimensional Drawing](#)
- [Function Settings](#)
- [Inputs & Outputs](#)
- [Installation Manual](#)
- [Noise Curve](#)
- [Operation Manual](#)
- [Product Image](#)

- [Spare Parts List All Pages](#)
- [Specifications](#)
- [Wiring Diagram](#)

### Related Items

- [AOYG18KATA](#) 5.2kW Economy Outdoor Unit - R32 Single Phase
- [AOYG18KBTB](#) 5.2kW Standard Outdoor Unit - R32 Single Phase
- [AOYG18KBTB3](#) 5.4kW 3 Way Multi Outdoor Unit - R32 1 Ph
- [AOYG24KBTB3](#) 6.8kW 3 Way Multi Outdoor Unit - R32 1 Ph
- [AOYG30KBTB4](#) 8.0kW 4 Way Multi Outdoor Unit - R32 1 Ph
- [AOYG36KBTB5](#) 10.0kW 5 Way Multi Outdoor Unit - R32 1 Ph
- [UTYRNRZY5](#) Touch Screen Remote Controller
- [UTYTFXSZ1](#) Wireless LAN interface
- [UTZVXAA](#) Fresh Air Intake Kit for Compact Cassette
- [UTDGXTBW](#) Auto Louvre Grille Kit (Size 18 IU's)
- [UTYRCRYZ1](#) Compact Simple Remote controller
- [UTYRVNYM](#) LCD Wired Remote Controller
- [UTYRHRY](#) Simple Remote Controller (without Master Control)
- [UTYRSRY](#) Simple Remote Controller (with Master Control)
- [UTYRSNYM](#) Simplified Wired Remote Controller
- [UTYTERX](#) External switch controller
- [FJRCWIF1](#) IntesisHome Wireless LAN Adapter for Splits & VRF
- [UTYXSZX](#) Remote Sensor Unit (for All Duct type)
- [UTYLBTYM](#) Infra-Red Receiver Kit, Receiver Wire -9710358012
- [UTYVTGX](#) Splits Network Converter (DC Powered)
- [UTYVTGXV](#) Splits Network Converter (AC Powered)
- [UTYXWZXZG](#) External Connect Kit



\*Specifications and design are subject to change without notice for further improvement.

\*Actual products' colors may be different from the colors shown in this printed material.

# ARXG12KHTAP

Please visit our webstore for full product and technical documentation 

Unit Type	Medium Static Ducted	
Remote Controller	Option	
Nominal Cooling Capacity (kW)	3.5	
Nominal Heating Capacity (kW)	4.1	
Height (mm)	300	
Width (mm)	700	
Depth (mm)	700	
Weight (kg)	27	
Filter	UTDLFNC	
Standard Static Pressure (Pa)	35	
Static Pressure Ranget (Pa)	30 to 200	
Airflow Rate - Cooling - High (m3/h)	850	
Airflow Rate - Heating - High (m3/h)	850	
Sound Pressure Level - Cooling - High (dB(A))	32	
Sound Pressure Level - Cooling - Low (dB(A))	24	
Sound Pressure Level - Heating - High (dB(A))	32	
Sound Pressure Level - Heating - Low (dB(A))	24	
Sound Power Level - Cooling - High (dB(A))	57	
Sound Power Level - Heating - High (dB(A))	58	
Moisture Removal (l/h)	0.7	
Refrigerant Type (Global Warming Potential)	R32 (675)	
Liquid Pipe Size	1/4"	
Gas Pipe Size	3/8"	
Unit Power Supply	From Outdoor Unit	

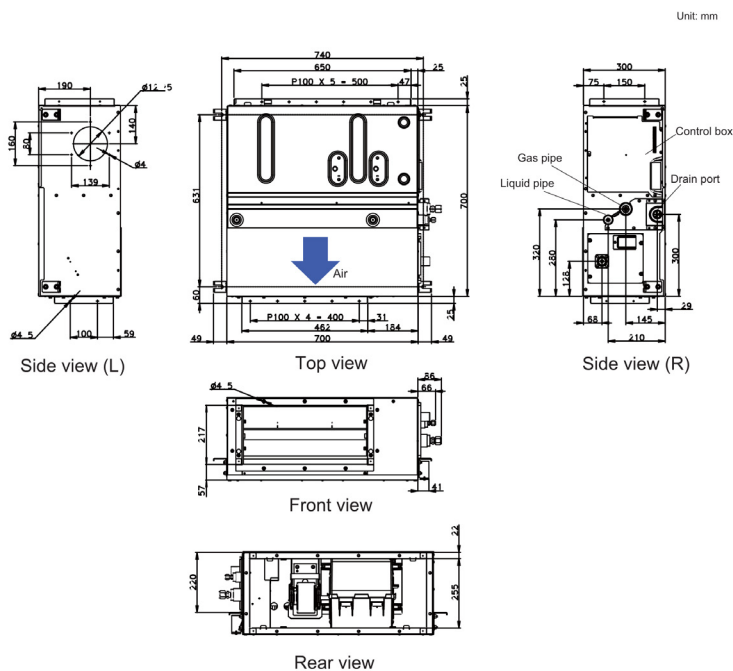


### Document Downloads

- [Airflow - Fan Curve](#)
- [Controls & Accessories](#)
- [Dimensional Drawing](#)
- [Function Settings](#)
- [Inputs & Outputs](#)
- [Installation Manual](#)
- [Noise Curve](#)
- [Operation Manual](#)
- [Product Image](#)
- [Spare Parts List All Pages](#)
- [Specifications](#)
- [Wiring Diagram](#)

### Related Items

- [AOYG12KBTB](#) 3.5kW Standard Outdoor Unit - R32 Single Phase
- [UTYRNRZY5](#) Touch Screen Remote Controller
- [UTYTF SXZ1](#) Wireless LAN interface
- [UTDLFNC](#) Long Life Filter Kit
- [UTYRCRYZ1](#) Compact Simple Remote controller
- [UTYRVNYM](#) LCD Wired Remote Controller
- [UTYRHRY](#) Simple Remote Controller (without Master Control)
- [UTYRSRY](#) Simple Remote Controller (with Master Control)
- [UTYRSNYM](#) Simplified Wired Remote Controller
- [UTYXCSX](#) External Input / Output PCB
- [UTYXWZXZG](#) External Connect Kit
- [UTZGXNA](#) External Input / Output PCB Bracket
- [UTYTERX](#) External switch controller
- [UTYXSZX](#) Remote Sensor Unit (for All Duct type)
- [FJRCWIF1](#) IntesisHome Wireless LAN Adapter for Splits & VRF
- [UTYLBTYM](#) Infra-Red Receiver Kit, Receiver Wire -9710358012
- [UTYVTGX](#) Splits Network Converter (DC Powered)
- [UTYVTGXV](#) Splits Network Converter (AC Powered)



\*Specifications and design are subject to change without notice for further improvement.  
 •Actual products' colors may be different from the colors shown in this printed material.



## ARXG14KHTAP

Please visit our webstore for full product and technical documentation 

Unit Type	Medium Static Ducted	
Remote Controller	Option	
Nominal Cooling Capacity (kW)	4.3	
Nominal Heating Capacity (kW)	5.0	
Height (mm)	300	
Width (mm)	700	
Depth (mm)	700	
Weight (kg)	27	
Filter	UTDLFNC	
Standard Static Pressure (Pa)	35	
Static Pressure Ranget (Pa)	30 to 200	
Airflow Rate - Cooling - High (m3/h)	950	
Airflow Rate - Heating - High (m3/h)	950	
Sound Pressure Level - Cooling - High (dB(A))	33	
Sound Pressure Level - Cooling - Low (dB(A))	25	
Sound Pressure Level - Heating - High (dB(A))	33	
Sound Pressure Level - Heating - Low (dB(A))	25	
Sound Power Level - Cooling - High (dB(A))	59	
Sound Power Level - Heating - High (dB(A))	60	
Moisture Removal (l/h)	0.9	
Refrigerant Type (Global Warming Potential)	R32 (675)	
Liquid Pipe Size	1/4"	
Gas Pipe Size	3/8"	
Unit Power Supply	From Outdoor Unit	



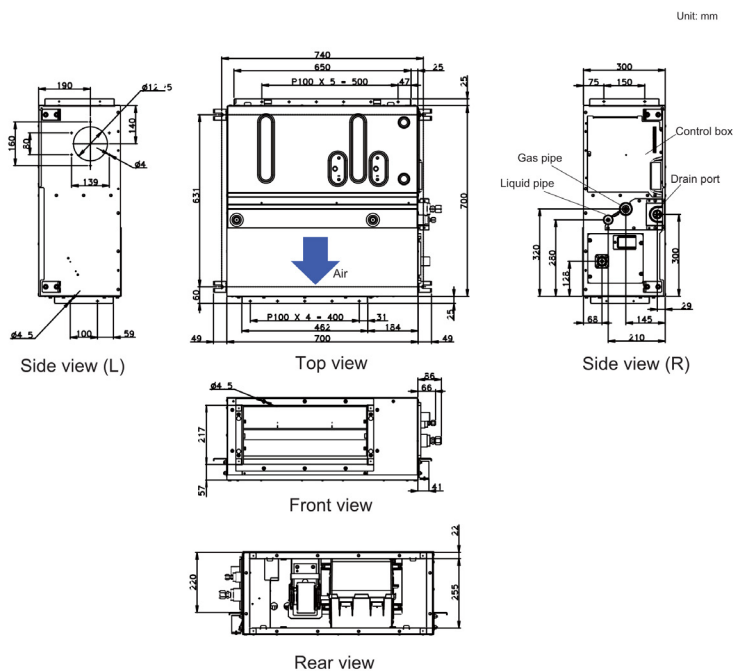
### Document Downloads

[Airflow - Fan Curve](#)  
[Controls & Accessories](#)  
[Dimensional Drawing](#)  
[Function Settings](#)  
[Inputs & Outputs](#)  
[Installation Manual](#)  
[Noise Curve](#)  
[Operation Manual](#)  
[Product Image](#)

[Spare Parts List All Pages](#)  
[Specifications](#)  
[Wiring Diagram](#)

### Related Items

[AOYG14KBTB](#) 4.3kW Standard Outdoor Unit - R32 Single Phase  
[UTYRNRZY5](#) Touch Screen Remote Controller  
[UTYTF SXZ1](#) Wireless LAN interface  
[UTDLFNC](#) Long Life Filter Kit  
[UTYRCRYZ1](#) Compact Simple Remote controller  
[UTYRVNYM](#) LCD Wired Remote Controller  
[UTYRHRY](#) Simple Remote Controller (without Master Control)  
[UTYRSRY](#) Simple Remote Controller (with Master Control)  
[UTYRSNYM](#) Simplified Wired Remote Controller  
[UTYXCSX](#) External Input / Output PCB  
[UTYXWZXZG](#) External Connect Kit  
[UTZGXNA](#) External Input / Output PCB Bracket  
[UTYTERX](#) External switch controller  
[UTYXSZX](#) Remote Sensor Unit (for All Duct type)  
[FJRCWIF1](#) IntesisHome Wireless LAN Adapter for Splits & VRF  
[UTYLBTYM](#) Infra-Red Receiver Kit, Receiver Wire -9710358012  
[UTYVTGX](#) Splits Network Converter (DC Powered)  
[UTYVTGXV](#) Splits Network Converter (AC Powered)

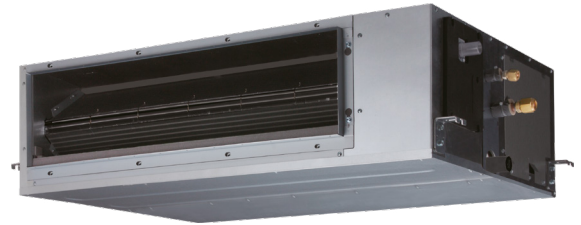


\*Specifications and design are subject to change without notice for further improvement.  
 •Actual products' colors may be different from the colors shown in this printed material.

# ARXG18KHTAP

Please visit our webstore for full product and technical documentation 

Unit Type	Medium Static Ducted	
Remote Controller	Option	
Nominal Cooling Capacity (kW)	5.2	
Nominal Heating Capacity (kW)	6.0	
Height (mm)	300	
Width (mm)	1000	
Depth (mm)	700	
Weight (kg)	35	
Filter	UTDLFNB	
Standard Static Pressure (Pa)	35	
Static Pressure Ranget (Pa)	30 to 200	
Airflow Rate - Cooling - High (m3/h)	1050	
Airflow Rate - Heating - High (m3/h)	1050	
Sound Pressure Level - Cooling - High (dB(A))	28	
Sound Pressure Level - Cooling - Low (dB(A))	20	
Sound Pressure Level - Heating - High (dB(A))	28	
Sound Pressure Level - Heating - Low (dB(A))	20	
Sound Power Level - Cooling - High (dB(A))	54	
Sound Power Level - Heating - High (dB(A))	54	
Moisture Removal (l/h)	1.2	
Refrigerant Type (Global Warming Potential)	R32 (675)	
Liquid Pipe Size	1/4"	
Gas Pipe Size	1/2"	
Unit Power Supply	From Outdoor Unit	

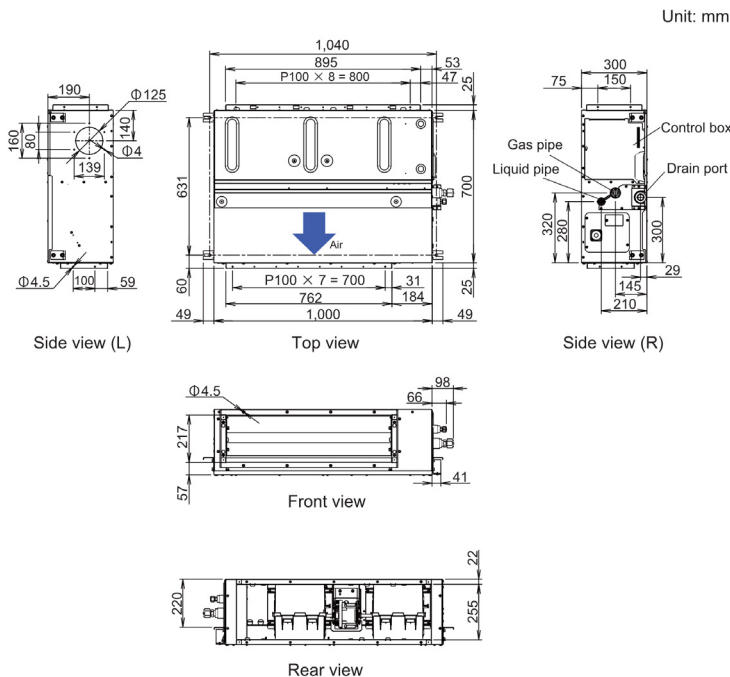


### Document Downloads

- [Airflow - Fan Curve](#)
- [Controls & Accessories](#)
- [Dimensional Drawing](#)
- [Function Settings](#)
- [Inputs & Outputs](#)
- [Installation Manual](#)
- [Noise Curve](#)
- [Operation Manual](#)
- [Product Image](#)
- [Spare Parts List All Pages](#)
- [Specifications](#)
- [Wiring Diagram](#)

### Related Items

- [AOYG18KBTB](#) 5.2kW Standard Outdoor Unit - R32 Single Phase
- [UTYRNRYZ5](#) Touch Screen Remote Controller
- [UTYTF SXZ1](#) Wireless LAN interface
- [UTDLFNB](#) Long Life Filter Kit
- [UTYRCRYZ1](#) Compact Simple Remote controller
- [UTYRVNYM](#) LCD Wired Remote Controller
- [UTYRHRY](#) Simple Remote Controller (without Master Control)
- [UTYRSRY](#) Simple Remote Controller (with Master Control)
- [UTYRSNYM](#) Simplified Wired Remote Controller
- [UTYXCSX](#) External Input / Output PCB
- [UTYXWZXZG](#) External Connect Kit
- [UTZGXNA](#) External Input / Output PCB Bracket
- [UTYTERX](#) External switch controller
- [UTYXSZX](#) Remote Sensor Unit (for All Duct type)
- [FJRCWIF1](#) IntesisHome Wireless LAN Adapter for Splits & VRF
- [UTYLBTYM](#) Infra-Red Receiver Kit, Receiver Wire -9710358012
- [UTYVTGX](#) Splits Network Converter (DC Powered)
- [UTYVTGXV](#) Splits Network Converter (AC Powered)

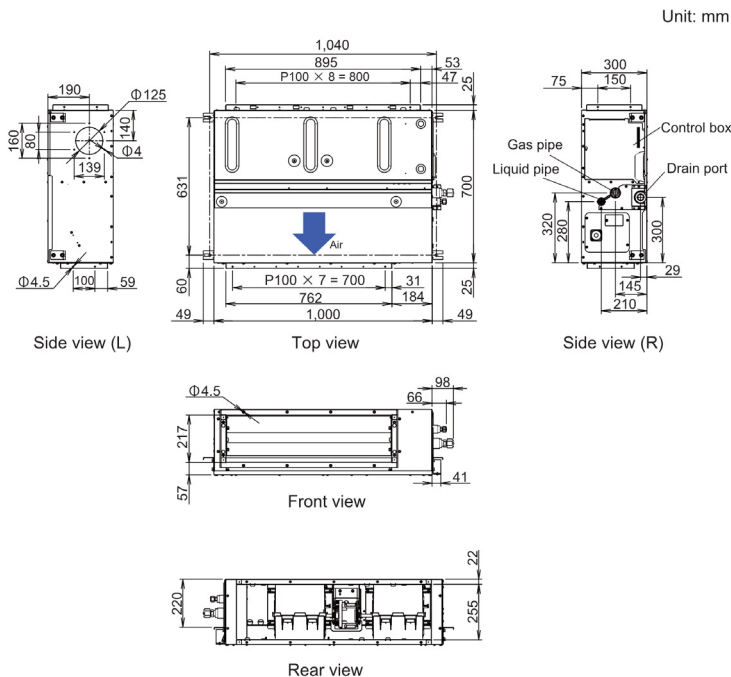


\*Specifications and design are subject to change without notice for further improvement.  
 \*Actual products' colors may be different from the colors shown in this printed material.

# ARXG22KHTAP

Please visit our webstore for full product and technical documentation 

Unit Type	Medium Static Ducted
Remote Controller	Option
Nominal Cooling Capacity (kW)	6.0
Nominal Heating Capacity (kW)	7.0
Height (mm)	300
Width (mm)	1000
Depth (mm)	700
Weight (kg)	35
Filter	UTDLFNB
Standard Static Pressure (Pa)	35
Static Pressure Ranget (Pa)	30 to 200
Airflow Rate - Cooling - High (m3/h)	1050
Airflow Rate - Heating - High (m3/h)	1050
Sound Pressure Level - Cooling - High (dB(A))	28
Sound Pressure Level - Cooling - Low (dB(A))	20
Sound Pressure Level - Heating - High (dB(A))	28
Sound Pressure Level - Heating - Low (dB(A))	20
Sound Power Level - Cooling - High (dB(A))	57
Sound Power Level - Heating - High (dB(A))	57
Moisture Removal (l/h)	1.5
Refrigerant Type (Global Warming Potential)	R32 (675)
Liquid Pipe Size	1/4"
Gas Pipe Size	1/2"
Unit Power Supply	From Outdoor Unit



### Document Downloads

- [Airflow - Fan Curve](#)
- [Controls & Accessories](#)
- [Dimensional Drawing](#)
- [Function Settings](#)
- [Inputs & Outputs](#)
- [Installation Manual](#)
- [Noise Curve](#)
- [Operation Manual](#)
- [Product Image](#)
- [Spare Parts List All Pages](#)
- [Specifications](#)
- [Wiring Diagram](#)

### Related Items

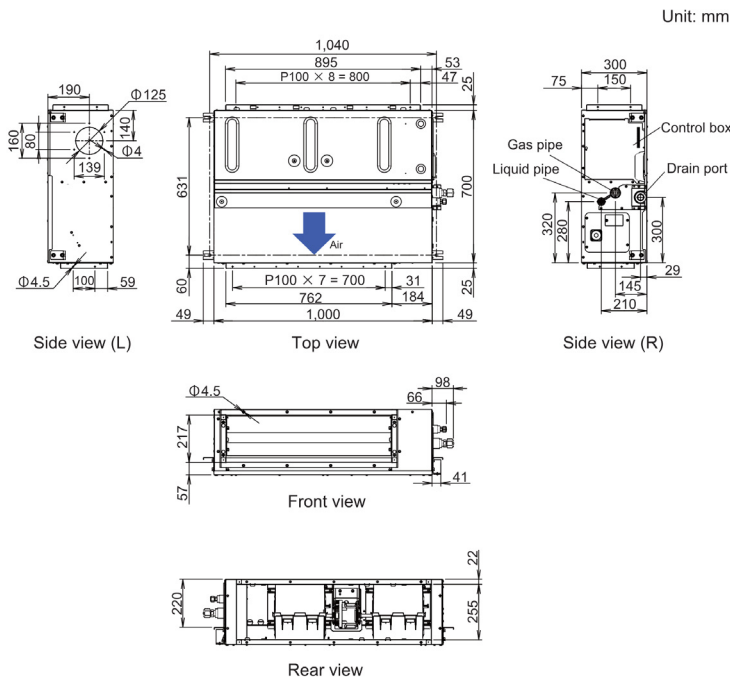
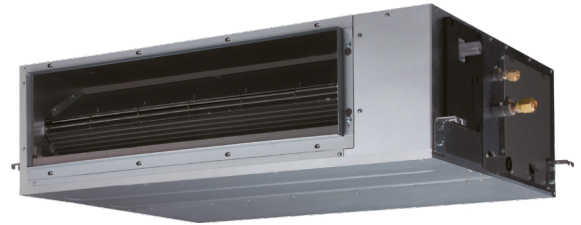
- [AOYG22KBTB](#) 6.0kW Standard Outdoor Unit - R32 Single Phase
- [UTYRNRYZ5](#) Touch Screen Remote Controller
- [UTYTF SXZ1](#) Wireless LAN interface
- [UTDLFNB](#) Long Life Filter Kit
- [UTYRCRYZ1](#) Compact Simple Remote controller
- [UTYRVNYM](#) LCD Wired Remote Controller
- [UTYRHRY](#) Simple Remote Controller (without Master Control)
- [UTYRSRY](#) Simple Remote Controller (with Master Control)
- [UTYRSNYM](#) Simplified Wired Remote Controller
- [UTYXCSX](#) External Input / Output PCB
- [UTYXWZXZG](#) External Connect Kit
- [UTZGXNA](#) External Input / Output PCB Bracket
- [UTYTERX](#) External switch controller
- [UTYXSZX](#) Remote Sensor Unit (for All Duct type)
- [FJRCWIF1](#) IntesisHome Wireless LAN Adapter for Splits & VRF
- [UTYLBTYM](#) Infra-Red Receiver Kit, Receiver Wire -9710358012
- [UTYVTGX](#) Splits Network Converter (DC Powered)
- [UTYVTGXV](#) Splits Network Converter (AC Powered)

\*Specifications and design are subject to change without notice for further improvement.  
 \*Actual products' colors may be different from the colors shown in this printed material.

# ARXG24KHTAP

Please visit our webstore for full product and technical documentation 

Unit Type	Medium Static Ducted	
Remote Controller	Option	
Nominal Cooling Capacity (kW)	6.8	
Nominal Heating Capacity (kW)	7.5	
Height (mm)	300	
Width (mm)	1000	
Depth (mm)	700	
Weight (kg)	36	
Filter	UTDLFNB	
Standard Static Pressure (Pa)	35	
Static Pressure Ranget (Pa)	30 to 200	
Airflow Rate - Cooling - High (m3/h)	1360	
Airflow Rate - Heating - High (m3/h)	1360	
Sound Pressure Level - Cooling - High (dB(A))	32	
Sound Pressure Level - Cooling - Low (dB(A))	21	
Sound Pressure Level - Heating - High (dB(A))	32	
Sound Pressure Level - Heating - Low (dB(A))	21	
Sound Power Level - Cooling - High (dB(A))	57	
Sound Power Level - Heating - High (dB(A))	57	
Moisture Removal (l/h)	1.8	
Refrigerant Type (Global Warming Potential)	R32 (675)	
Liquid Pipe Size	1/4"	
Gas Pipe Size	1/2"	
Unit Power Supply	From Outdoor Unit	



### Document Downloads

- [Airflow - Fan Curve](#)
- [Controls & Accessories](#)
- [Dimensional Drawing](#)
- [Function Settings](#)
- [Inputs & Outputs](#)
- [Installation Manual](#)
- [Noise Curve](#)
- [Operation Manual](#)
- [Product Image](#)
- [Spare Parts List All Pages](#)
- [Specifications](#)
- [Wiring Diagram](#)

### Related Items

- [AOYG24KBTB](#)
- [UTYRNRYZ5](#)
- [UTYTF SXZ1](#)
- [UTDLFNB](#)
- [UTYRCRYZ1](#)
- [UTYRVNYM](#)
- [UTYRHRY](#)
- [UTYRSRY](#)
- [UTYRSNYM](#)
- [UTYXCSX](#)
- [UTYXWZXZG](#)
- [UTZGXNA](#)
- [UTYTERX](#)
- [UTYXSZX](#)
- [FJRCWIF1](#)
- [UTYLBTYM](#)
- [UTYVTGX](#)
- [UTYVTGXV](#)
- 6.8kW Standard Outdoor Unit - R32 Single Phase
- Touch Screen Remote Controller
- Wireless LAN interface
- Long Life Filter Kit
- Compact Simple Remote controller
- LCD Wired Remote Controller
- Simple Remote Controller (without Master Control)
- Simple Remote Controller (with Master Control)
- Simplified Wired Remote Controller
- External Input / Output PCB
- External Connect Kit
- External Input / Output PCB Bracket
- External switch controller
- Remote Sensor Unit (for All Duct type)
- IntesisHome Wireless LAN Adapter for Splits & VRF
- Infra-Red Receiver Kit, Receiver Wire -9710358012
- Splits Network Converter (DC Powered)
- Splits Network Converter (AC Powered)

\*Specifications and design are subject to change without notice for further improvement.  
 •Actual products' colors may be different from the colors shown in this printed material.

# ARXG30KHTAP

Please visit our webstore for full product and technical documentation 

Unit Type	Medium Static Ducted
Remote Controller	Option
Nominal Cooling Capacity (kW)	8.5
Nominal Heating Capacity (kW)	10.0
Height (mm)	300
Width (mm)	1000
Depth (mm)	700
Weight (kg)	36
Filter	UTDLFNB
Standard Static Pressure (Pa)	47
Static Pressure Ranget (Pa)	30 to 200
Airflow Rate - Cooling - High (m3/h)	1700
Airflow Rate - Heating - High (m3/h)	1700
Sound Pressure Level - Cooling - High (dB(A))	36
Sound Pressure Level - Cooling - Low (dB(A))	29
Sound Pressure Level - Heating - High (dB(A))	36
Sound Pressure Level - Heating - Low (dB(A))	29
Sound Power Level - Cooling - High (dB(A))	63
Sound Power Level - Heating - High (dB(A))	65
Moisture Removal (l/h)	2.3
Refrigerant Type (Global Warming Potential)	R32 (675)
Liquid Pipe Size	3/8"
Gas Pipe Size	5/8"
Unit Power Supply	From Outdoor Unit

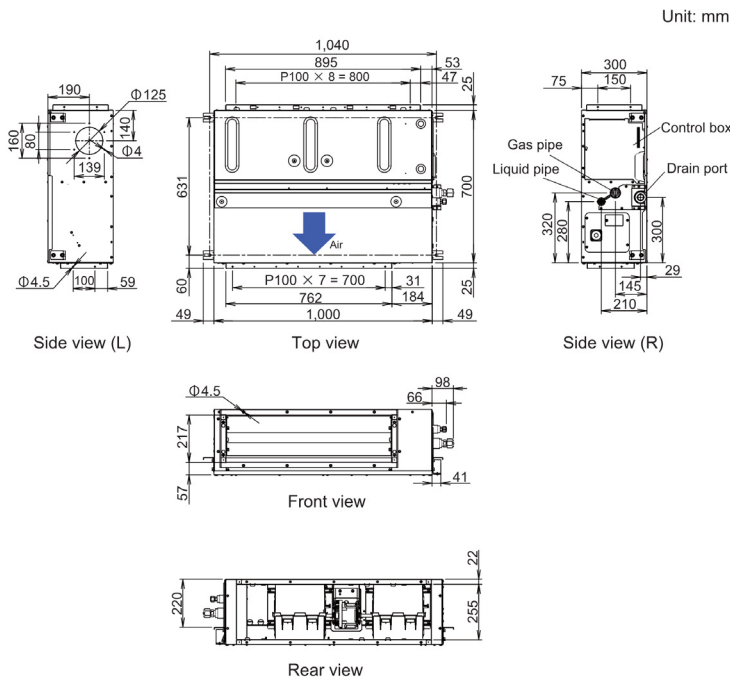


### Document Downloads

- [Airflow - Fan Curve](#)
- [Controls & Accessories](#)
- [Dimensional Drawing](#)
- [Function Settings](#)
- [Inputs & Outputs](#)
- [Installation Manual](#)
- [Noise Curve](#)
- [Operation Manual](#)
- [Product Image](#)
- [Spare Parts List All Pages](#)
- [Specifications](#)
- [Wiring Diagram](#)

### Related Items

- [AOYG30KBTB](#) 8.5kW Standard Outdoor Unit - R32 Single Phase
- [UTYRNRZY5](#) Touch Screen Remote Controller
- [UTYTF SXZ1](#) Wireless LAN interface
- [UTDLFNB](#) Long Life Filter Kit
- [UTYRCRYZ1](#) Compact Simple Remote controller
- [UTYRVNYM](#) LCD Wired Remote Controller
- [UTYRHRY](#) Simple Remote Controller (without Master Control)
- [UTYRSRY](#) Simple Remote Controller (with Master Control)
- [UTYRSNYM](#) Simplified Wired Remote Controller
- [UTYXCSX](#) External Input / Output PCB
- [UTYXWZXZG](#) External Connect Kit
- [UTZGXNA](#) External Input / Output PCB Bracket
- [UTYTERX](#) External switch controller
- [UTYXSZX](#) Remote Sensor Unit (for All Duct type)
- [FJRCWIF1](#) IntesisHome Wireless LAN Adapter for Splits & VRF
- [UTYLBTYM](#) Infra-Red Receiver Kit, Receiver Wire -9710358012
- [UTYVTGX](#) Splits Network Converter (DC Powered)
- [UTYVTGXV](#) Splits Network Converter (AC Powered)



\*Specifications and design are subject to change without notice for further improvement.

\*Actual products' colors may be different from the colors shown in this printed material.

### ARXG36KHTAP

Please visit our webstore for full product and technical documentation 

Unit Type	Medium Static Ducted	
Remote Controller	Option	
Nominal Cooling Capacity (kW)	9.5	
Nominal Heating Capacity (kW)	10.8	
Height (mm)	300	
Width (mm)	1400	
Depth (mm)	700	
Weight (kg)	46	
Filter	UTDLFNA	
Standard Static Pressure (Pa)	47	
Static Pressure Ranget (Pa)	30 to 200	
Airflow Rate - Cooling - High (m3/h)	2050	
Airflow Rate - Heating - High (m3/h)	1850	
Sound Pressure Level - Cooling - High (dB(A))	36	
Sound Pressure Level - Cooling - Low (dB(A))	26	
Sound Pressure Level - Heating - High (dB(A))	33	
Sound Pressure Level - Heating - Low (dB(A))	26	
Sound Power Level - Cooling - High (dB(A))	64	
Sound Power Level - Heating - High (dB(A))	63	
Moisture Removal (l/h)	2	
Refrigerant Type (Global Warming Potential)	R32 (675)	
Liquid Pipe Size	3/8"	
Gas Pipe Size	5/8"	
Unit Power Supply	From Outdoor Unit	

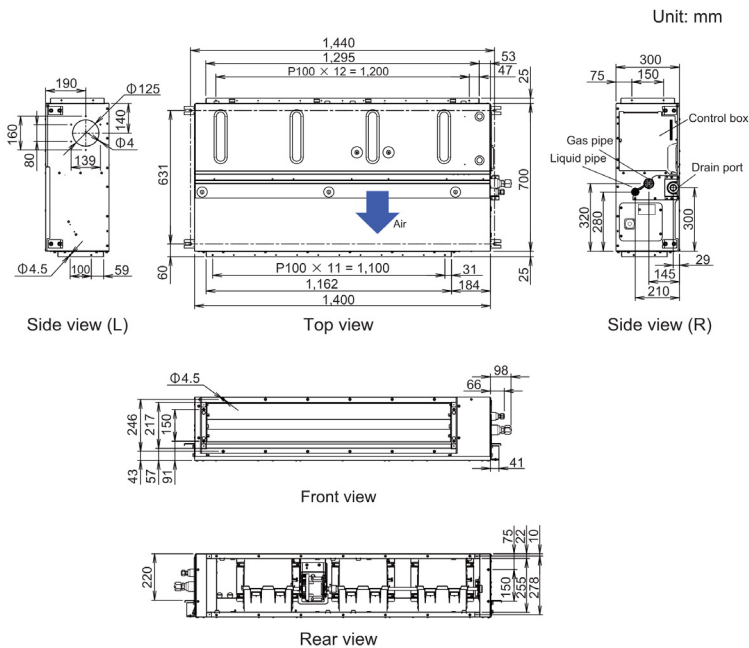


#### Document Downloads

- [Airflow - Fan Curve](#)
- [Controls & Accessories](#)
- [Dimensional Drawing](#)
- [Function Settings](#)
- [Inputs & Outputs](#)
- [Installation Manual](#)
- [Noise Curve](#)
- [Operation Manual](#)
- [Product Image](#)
- [Spare Parts List All Pages](#)
- [Specifications](#)
- [Wiring Diagram](#)

#### Related Items

- [AOYG36KBTB](#) 9.5kW Standard Outdoor Unit - R32 Single Phase
- [AOYG36KRTA](#) 9.5kW Standard Outdoor Unit - R32 Three Phase
- [UTYRNRZY5](#) Touch Screen Remote Controller
- [UTYFCSXZ1](#) Wireless LAN interface
- [UTDLFNA](#) Long Life Filter Kit
- [UTYRCRYZ1](#) Compact Simple Remote controller
- [UTYRVNYM](#) LCD Wired Remote Controller
- [UTYRHRV](#) Simple Remote Controller (without Master Control)
- [UTYRSRY](#) Simple Remote Controller (with Master Control)
- [UTYRSNYM](#) Simplified Wired Remote Controller
- [UTYXCSX](#) External Input / Output PCB
- [UTYXWZXZG](#) External Connect Kit
- [UTZGXNA](#) External Input / Output PCB Bracket
- [UTYTERX](#) External switch controller
- [UTYXSZX](#) Remote Sensor Unit (for All Duct type)
- [FJRCWIFI1](#) IntesisHome Wireless LAN Adapter for Splits & VRF
- [UTYLBTYM](#) Infra-Red Receiver Kit, Receiver Wire -9710358012
- [UTYVTGX](#) Splits Network Converter (DC Powered)
- [UTYVTGXV](#) Splits Network Converter (AC Powered)



\*Specifications and design are subject to change without notice for further improvement.  
 •Actual products' colors may be different from the colors shown in this printed material.

# ARXG45KHTAP

Please visit our webstore for full product and technical documentation 

Unit Type	Medium Static Ducted	
Remote Controller	Option	
Nominal Cooling Capacity (kW)	12.1	
Nominal Heating Capacity (kW)	13.5	
Height (mm)	300	
Width (mm)	1400	
Depth (mm)	700	
Weight (kg)	46	
Filter	UTDLFNA	
Standard Static Pressure (Pa)	60	
Static Pressure Ranget (Pa)	30 to 200	
Airflow Rate - Cooling - High (m3/h)	2550	
Airflow Rate - Heating - High (m3/h)	2550	
Sound Pressure Level - Cooling - High (dB(A))	39	
Sound Pressure Level - Cooling - Low (dB(A))	29	
Sound Pressure Level - Heating - High (dB(A))	39	
Sound Pressure Level - Heating - Low (dB(A))	29	
Sound Power Level - Cooling - High (dB(A))	67	
Sound Power Level - Heating - High (dB(A))	69	
Moisture Removal (l/h)	2.6	
Refrigerant Type (Global Warming Potential)	R32 (675)	
Liquid Pipe Size	3/8"	
Gas Pipe Size	5/8"	
Unit Power Supply	From Outdoor Unit	

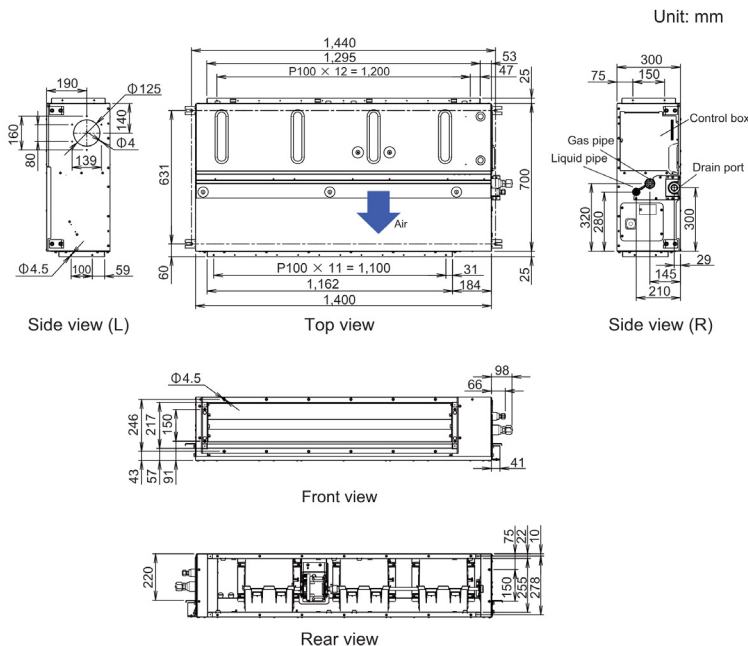


### Document Downloads

- [Airflow - Fan Curve](#)
- [Controls & Accessories](#)
- [Dimensional Drawing](#)
- [Function Settings](#)
- [Inputs & Outputs](#)
- [Installation Manual](#)
- [Noise Curve](#)
- [Operation Manual](#)
- [Product Image](#)
- [Spare Parts List All Pages](#)
- [Specifications](#)
- [Wiring Diagram](#)

### Related Items

- [AOYG45KBTB](#) 12.1kW Standard Outdoor Unit - R32 Single Phase
- [AOYG45KRTA](#) 12.1kW Standard Outdoor Unit - R32 Three Phase
- [UTYRNRZY5](#) Touch Screen Remote Controller
- [UTYFCSXZ1](#) Wireless LAN interface
- [UTDLFNA](#) Long Life Filter Kit
- [UTYRCRYZ1](#) Compact Simple Remote controller
- [UTYRVNYM](#) LCD Wired Remote Controller
- [UTYRHRV](#) Simple Remote Controller (without Master Control)
- [UTYRSRY](#) Simple Remote Controller (with Master Control)
- [UTYRSNYM](#) Simplified Wired Remote Controller
- [UTYXCSX](#) External Input / Output PCB
- [UTYXWZXZG](#) External Connect Kit
- [UTZGXNA](#) External Input / Output PCB Bracket
- [UTYTERX](#) External switch controller
- [UTYXSZX](#) Remote Sensor Unit (for All Duct type)
- [FJRCWIFI1](#) IntesisHome Wireless LAN Adapter for Splits & VRF
- [UTYLBTYM](#) Infra-Red Receiver Kit, Receiver Wire -9710358012
- [UTYVTGX](#) Splits Network Converter (DC Powered)
- [UTYVTGXV](#) Splits Network Converter (AC Powered)



\*Specifications and design are subject to change without notice for further improvement.  
 •Actual products' colors may be different from the colors shown in this printed material.

# ARXG54KHTAP

Please visit our webstore for full product and technical documentation 

Unit Type	Medium Static Ducted	
Remote Controller	Option	
Nominal Cooling Capacity (kW)	13.4	
Nominal Heating Capacity (kW)	15.5	
Height (mm)	300	
Width (mm)	1400	
Depth (mm)	700	
Weight (kg)	46	
Filter	UTDLFNA	
Standard Static Pressure (Pa)	60	
Static Pressure Ranget (Pa)	30 to 200	
Airflow Rate - Cooling - High (m3/h)	2550	
Airflow Rate - Heating - High (m3/h)	2550	
Sound Pressure Level - Cooling - High (dB(A))	39	
Sound Pressure Level - Cooling - Low (dB(A))	29	
Sound Pressure Level - Heating - High (dB(A))	39	
Sound Pressure Level - Heating - Low (dB(A))	29	
Sound Power Level - Cooling - High (dB(A))	67	
Sound Power Level - Heating - High (dB(A))	69	
Moisture Removal (l/h)	3.7	
Refrigerant Type (Global Warming Potential)	R32 (675)	
Liquid Pipe Size	3/8"	
Gas Pipe Size	5/8"	
Unit Power Supply	From Outdoor Unit	

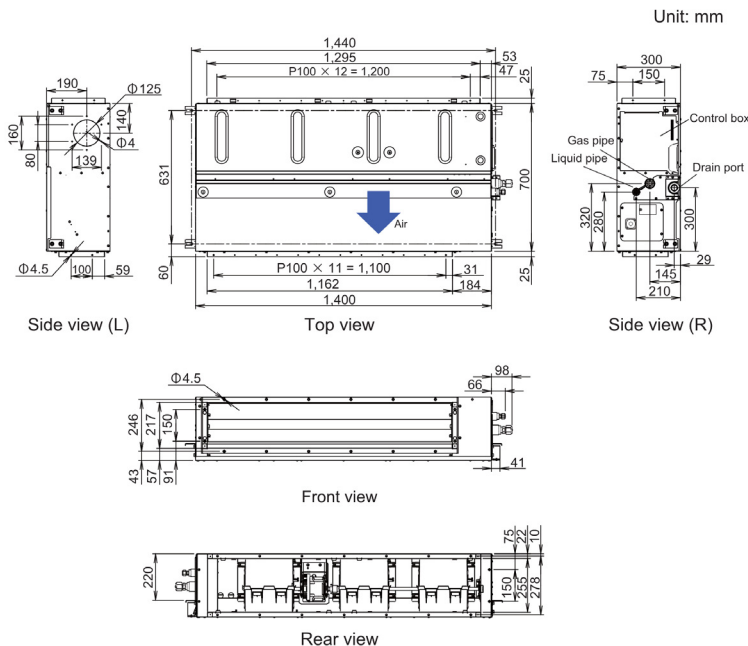


### Document Downloads

- [Airflow - Fan Curve](#)
- [Controls & Accessories](#)
- [Dimensional Drawing](#)
- [Function Settings](#)
- [Inputs & Outputs](#)
- [Installation Manual](#)
- [Noise Curve](#)
- [Operation Manual](#)
- [Product Image](#)
- [Spare Parts List All Pages](#)
- [Specifications](#)
- [Wiring Diagram](#)

### Related Items

- [AOYG54KBTB](#) 13.4kW Standard Outdoor Unit - R32 Single Phase
- [AOYG54KRTA](#) 13.4kW Standard Outdoor Unit - R32 Three Phase
- [UTYRNRZY5](#) Touch Screen Remote Controller
- [UTYFCSXZ1](#) Wireless LAN interface
- [UTDLFNA](#) Long Life Filter Kit
- [UTYRCRYZ1](#) Compact Simple Remote controller
- [UTYRVNYM](#) LCD Wired Remote Controller
- [UTYRHRV](#) Simple Remote Controller (without Master Control)
- [UTYRSRY](#) Simple Remote Controller (with Master Control)
- [UTYRSNYM](#) Simplified Wired Remote Controller
- [UTYXCSX](#) External Input / Output PCB
- [UTYXWZXZG](#) External Connect Kit
- [UTZGXNA](#) External Input / Output PCB Bracket
- [UTYTERX](#) External switch controller
- [UTYXSZX](#) Remote Sensor Unit (for All Duct type)
- [FJRCWIFI1](#) IntesisHome Wireless LAN Adapter for Splits & VRF
- [UTYLBTYM](#) Infra-Red Receiver Kit, Receiver Wire -9710358012
- [UTYVTGX](#) Splits Network Converter (DC Powered)
- [UTYVTGXV](#) Splits Network Converter (AC Powered)



\*Specifications and design are subject to change without notice for further improvement.  
 •Actual products' colors may be different from the colors shown in this printed material.

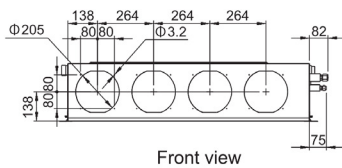


## ARXG22KMLA

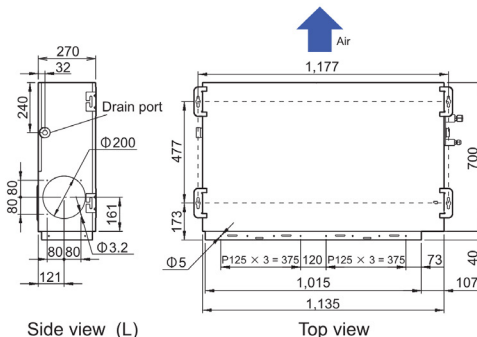
Please visit our webstore for full product and technical documentation 

Unit Type	Medium Static Ducted
Remote Controller	Option
Nominal Cooling Capacity (kW)	6.0
Nominal Heating Capacity (kW)	7.0
Height (mm)	270
Width (mm)	1135
Depth (mm)	700
Weight (kg)	35
Filter	UTDLF25NA / UTRDF204
Standard Static Pressure (Pa)	35
Static Pressure Ranget (Pa)	30 to 150
Airflow Rate - Cooling - High (m3/h)	1100
Airflow Rate - Heating - High (m3/h)	1100
Sound Pressure Level - Cooling - High (dB(A))	31
Sound Pressure Level - Cooling - Low (dB(A))	25
Sound Pressure Level - Heating - High (dB(A))	31
Sound Pressure Level - Heating - Low (dB(A))	25
Sound Power Level - Cooling - High (dB(A))	60
Sound Power Level - Heating - High (dB(A))	62
Moisture Removal (l/h)	2.1
Refrigerant Type (Global Warming Potential)	R32 (675)
Liquid Pipe Size	1/4"
Gas Pipe Size	1/2"
Unit Power Supply	From Outdoor Unit

Unit: mm

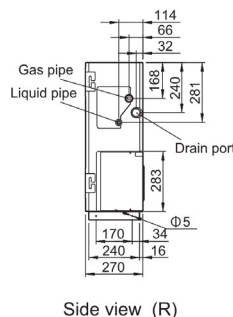


Front view

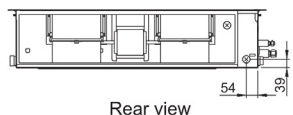


Side view (L)

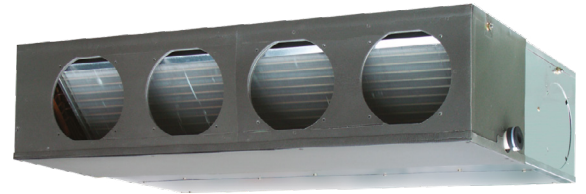
Top view



Side view (R)



Rear view



### Document Downloads

[Airflow - Fan Curve](#)  
[Controls & Accessories](#)  
[Dimensional Drawing](#)  
[Function Settings](#)  
[Inputs & Outputs](#)  
[Installation Manual](#)  
[Noise Curve](#)  
[Operation Manual](#)  
[Product Image](#)

[Spare Parts List All Pages](#)  
[Specifications](#)  
[Wiring Diagram](#)

### Related Items

[AOYG22KATA](#) 6.0kW Economy Outdoor Unit - R32 Single Phase  
[AOYG22KBTB](#) 6.0kW Standard Outdoor Unit - R32 Single Phase  
[UTYRNRYZ5](#) Touch Screen Remote Controller  
[UTYFYSXZ1](#) Wireless LAN interface  
[UTDLF25NA](#) Long Life Filter Kit  
[UTDRF204](#) Flange (Round)  
[UTZPX1NBA](#) Drain Pump Unit for ARXA024-045GLEH  
[UTYRCRYZ1](#) Compact Simple Remote controller  
[UTYRVNYM](#) LCD Wired Remote Controller  
[UTYRHRY](#) Simple Remote Controller (without Master Control)  
[UTYRSRY](#) Simple Remote Controller (with Master Control)  
[UTYRSNYM](#) Simplified Wired Remote Controller  
[UTYTERX](#) External switch controller  
[FJRCWIFI1](#) IntesisHome Wireless LAN Adapter for Splits & VRF  
[UTYLBTYM](#) Infra-Red Receiver Kit, Receiver Wire -9710358012  
[UTYXSZX](#) Remote Sensor Unit (for All Duct type)  
[UTYXWZXZG](#) External Connect Kit  
[UTYVTGX](#) Splits Network Converter (DC Powered)  
[UTYVTGXV](#) Splits Network Converter (AC Powered)

\*Specifications and design are subject to change without notice for further improvement.

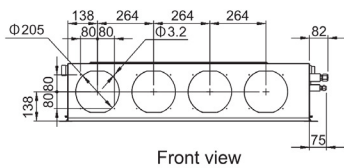
\*Actual products' colors may be different from the colors shown in this printed material.

# ARXG22KMLB

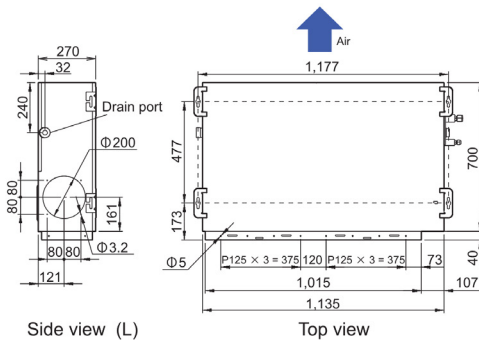
Please visit our webstore for full product and technical documentation 

Unit Type	Medium Static Ducted
Remote Controller	Option
Nominal Cooling Capacity (kW)	6.0
Nominal Heating Capacity (kW)	7.0
Height (mm)	270
Width (mm)	1135
Depth (mm)	700
Weight (kg)	35
Filter	UTDLF25NA / UTRDF204
Standard Static Pressure (Pa)	35
Static Pressure Ranget (Pa)	30 to 150
Airflow Rate - Cooling - High (m3/h)	1100
Airflow Rate - Heating - High (m3/h)	1100
Sound Pressure Level - Cooling - High (dB(A))	31
Sound Pressure Level - Cooling - Low (dB(A))	25
Sound Pressure Level - Heating - High (dB(A))	31
Sound Pressure Level - Heating - Low (dB(A))	25
Sound Power Level - Cooling - High (dB(A))	60
Sound Power Level - Heating - High (dB(A))	62
Moisture Removal (l/h)	2.1
Refrigerant Type (Global Warming Potential)	R32 (675)
Liquid Pipe Size	1/4"
Gas Pipe Size	1/2"
Unit Power Supply	From Outdoor Unit

Unit: mm

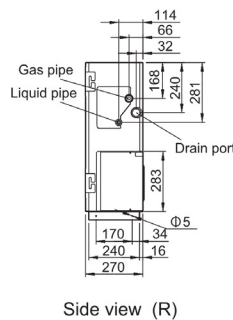


Front view

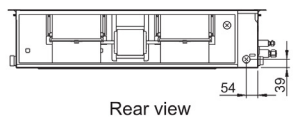


Side view (L)

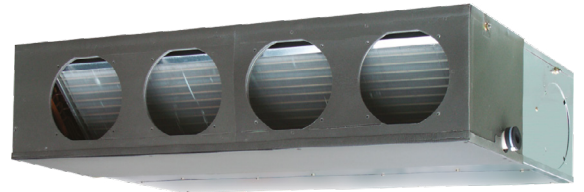
Top view



Side view (R)



Rear view



### Document Downloads

- [Airflow - Fan Curve](#)
- [Airflow](#)
- [Dimensional Drawing](#)
- [Installation Manual](#)
- [Noise Curve](#)
- [Operation Manual](#)
- [Product Image](#)
- [Spare Parts List All Pages](#)
- [Specifications](#)
- [Wiring Diagram](#)

### Related Items

- [AOYG30KBTA4](#) 8.0kW 4 Way Multi Outdoor Unit - R32 1 Ph
- [AOYG36KBTA5](#) 10.0kW 5 Way Multi Outdoor Unit - R32 1 Ph
- [UTYRNRYZ5](#) Touch Screen Remote Controller
- [UTYFYSXZ1](#) Wireless LAN interface
- [UTDLF25NA](#) Long Life Filter Kit
- [UTDRF204](#) Flange (Round)
- [UTZPX1NBA](#) Drain Pump Unit for ARXA024-045GLEH
- [UTYRCRYZ1](#) Compact Simple Remote controller
- [UTYRVNYM](#) LCD Wired Remote Controller
- [UTYRHRY](#) Simple Remote Controller (without Master Control)
- [UTYRSRY](#) Simple Remote Controller (with Master Control)
- [UTYRSNYM](#) Simplified Wired Remote Controller
- [UTYTERX](#) External switch controller
- [FJRCWIFI1](#) IntesisHome Wireless LAN Adapter for Splits & VRF
- [UTYLBTYM](#) Infra-Red Receiver Kit, Receiver Wire -9710358012
- [UTYXSZX](#) Remote Sensor Unit (for All Duct type)
- [UTYXWZXZG](#) External Connect Kit
- [UTYVTGX](#) Splits Network Converter (DC Powered)
- [UTYVTGXV](#) Splits Network Converter (AC Powered)

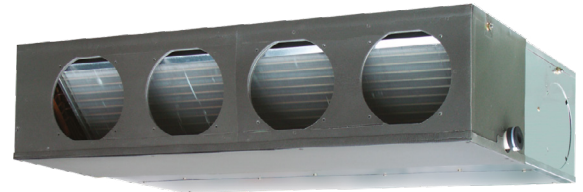
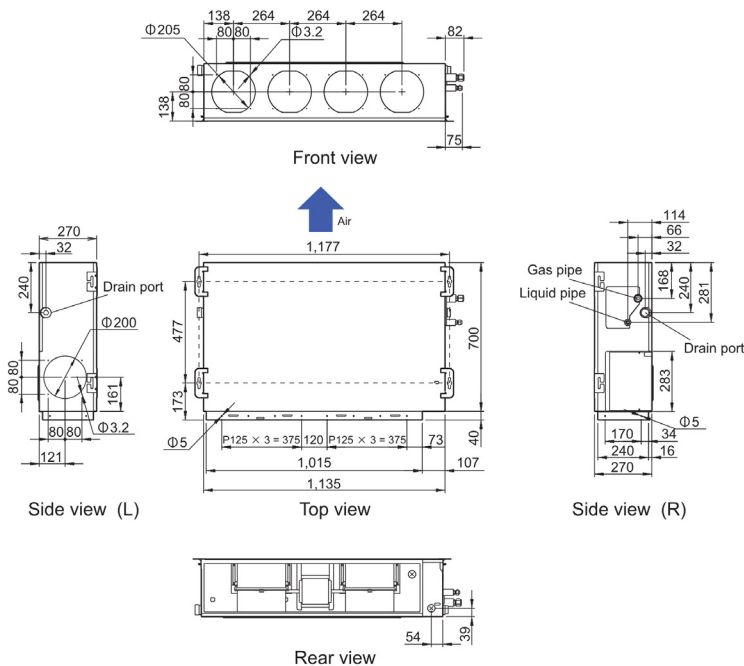
\*Specifications and design are subject to change without notice for further improvement.  
 •Actual products' colors may be different from the colors shown in this printed material.

## ARXG24KMLA

Please visit our webstore for full product and technical documentation 

Unit Type	Medium Static Ducted
Remote Controller	Option
Nominal Cooling Capacity (kW)	6.8
Nominal Heating Capacity (kW)	7.5
Height (mm)	270
Width (mm)	1135
Depth (mm)	700
Weight (kg)	35
Filter	UTDLF25NA / UTDRF204
Standard Static Pressure (Pa)	35
Static Pressure Ranget (Pa)	30 to 150
Airflow Rate - Cooling - High (m3/h)	1100
Airflow Rate - Heating - High (m3/h)	1100
Sound Pressure Level - Cooling - High (dB(A))	31
Sound Pressure Level - Cooling - Low (dB(A))	25
Sound Pressure Level - Heating - High (dB(A))	31
Sound Pressure Level - Heating - Low (dB(A))	25
Sound Power Level - Cooling - High (dB(A))	60
Sound Power Level - Heating - High (dB(A))	62
Moisture Removal (l/h)	2.5
Refrigerant Type (Global Warming Potential)	R32 (675)
Liquid Pipe Size	1/4"
Gas Pipe Size	1/2"
Unit Power Supply	From Outdoor Unit

Unit: mm



### Document Downloads

[Airflow - Fan Curve](#)  
[Controls & Accessories](#)  
[Dimensional Drawing](#)  
[Function Settings](#)  
[Inputs & Outputs](#)  
[Installation Manual](#)  
[Noise Curve](#)  
[Operation Manual](#)  
[Product Image](#)

[Spare Parts List All Pages](#)  
[Specifications](#)  
[Wiring Diagram](#)

### Related Items

[AOYG24KATA](#) 6.8kW Economy Outdoor Unit - R32 Single Phase  
[AOYG24KBTB](#) 6.8kW Standard Outdoor Unit - R32 Single Phase  
[UTYRNRYZ5](#) Touch Screen Remote Controller  
[UTYFYSXZ1](#) Wireless LAN interface  
[UTDLF25NA](#) Long Life Filter Kit  
[UTDRF204](#) Flange (Round)  
[UTZPX1NBA](#) Drain Pump Unit for ARXA024-045GLEH  
[UTYRCRYZ1](#) Compact Simple Remote controller  
[UTYRVNYM](#) LCD Wired Remote Controller  
[UTYRHRY](#) Simple Remote Controller (without Master Control)  
[UTYRSRY](#) Simple Remote Controller (with Master Control)  
[UTYRSNYM](#) Simplified Wired Remote Controller  
[UTYTERX](#) External switch controller  
[FJRCWIFI1](#) IntesisHome Wireless LAN Adapter for Splits & VRF  
[UTYLBITYM](#) Infra-Red Receiver Kit, Receiver Wire -9710358012  
[UTYXSZX](#) Remote Sensor Unit (for All Duct type)  
[UTYXWZXZG](#) External Connect Kit  
[UTYVTGX](#) Splits Network Converter (DC Powered)  
[UTYVTGXV](#) Splits Network Converter (AC Powered)

\*Specifications and design are subject to change without notice for further improvement.

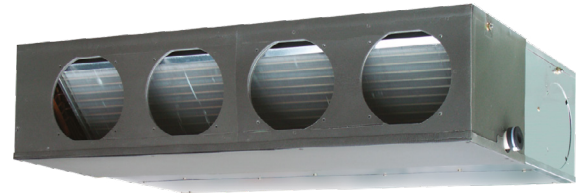
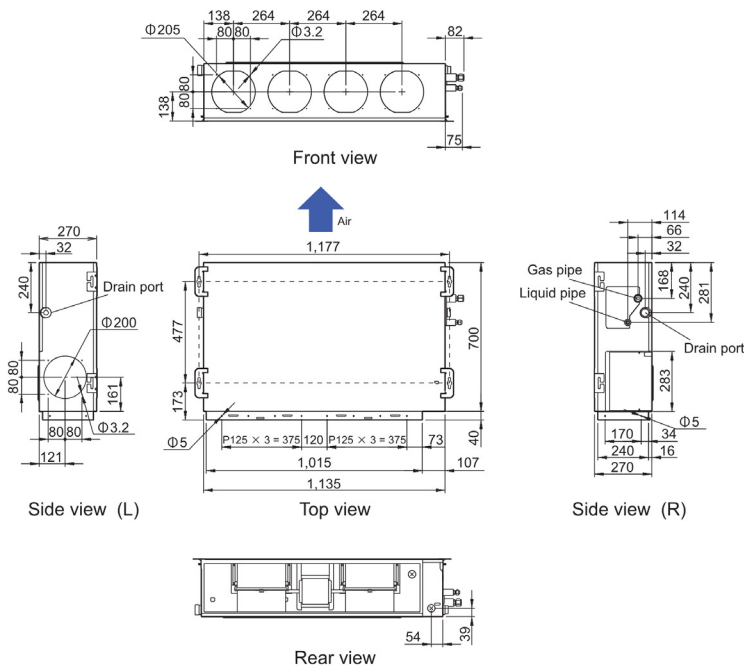
\*Actual products' colors may be different from the colors shown in this printed material.

## ARXG30KMLA

Please visit our webstore for full product and technical documentation 

Unit Type	Medium Static Ducted
Remote Controller	Option
Nominal Cooling Capacity (kW)	8.5
Nominal Heating Capacity (kW)	10.0
Height (mm)	270
Width (mm)	1135
Depth (mm)	700
Weight (kg)	38
Filter	UTDLF25NA / UTRDF204
Standard Static Pressure (Pa)	47
Static Pressure Ranget (Pa)	30 to 150
Airflow Rate - Cooling - High (m3/h)	1900
Airflow Rate - Heating - High (m3/h)	2100
Sound Pressure Level - Cooling - High (dB(A))	39
Sound Pressure Level - Cooling - Low (dB(A))	26
Sound Pressure Level - Heating - High (dB(A))	42
Sound Pressure Level - Heating - Low (dB(A))	26
Sound Power Level - Cooling - High (dB(A))	65
Sound Power Level - Heating - High (dB(A))	69
Moisture Removal (l/h)	2.5
Refrigerant Type (Global Warming Potential)	R32 (675)
Liquid Pipe Size	3/8"
Gas Pipe Size	5/8"
Unit Power Supply	From Outdoor Unit

Unit: mm



### Document Downloads

[Airflow - Fan Curve](#)  
[Controls & Accessories](#)  
[Dimensional Drawing](#)  
[Function Settings](#)  
[Inputs & Outputs](#)  
[Installation Manual](#)  
[Noise Curve](#)  
[Operation Manual](#)  
[Product Image](#)

[Spare Parts List All Pages](#)  
[Specifications](#)  
[Wiring Diagram](#)

### Related Items

[AOYG30KATA](#) 8.5kW Economy Outdoor Unit - R32 Single Phase  
[AOYG30KBTB](#) 8.5kW Standard Outdoor Unit - R32 Single Phase  
[UTYRNRYZ5](#) Touch Screen Remote Controller  
[UTYFYSXZ1](#) Wireless LAN interface  
[UTDLF25NA](#) Long Life Filter Kit  
[UTDRF204](#) Flange (Round)  
[UTZPX1NBA](#) Drain Pump Unit for ARXA024-045GLEH  
[UTYRCRYZ1](#) Compact Simple Remote controller  
[UTYRVNYM](#) LCD Wired Remote Controller  
[UTYRHRY](#) Simple Remote Controller (without Master Control)  
[UTYRSRY](#) Simple Remote Controller (with Master Control)  
[UTYRSNYM](#) Simplified Wired Remote Controller  
[UTYTERX](#) External switch controller  
[FJRCWIFI1](#) IntesisHome Wireless LAN Adapter for Splits & VRF  
[UTYLBITYM](#) Infra-Red Receiver Kit, Receiver Wire -9710358012  
[UTYXSZX](#) Remote Sensor Unit (for All Duct type)  
[UTYXWZXZG](#) External Connect Kit  
[UTYVTGX](#) Splits Network Converter (DC Powered)  
[UTYVTGXV](#) Splits Network Converter (AC Powered)

\*Specifications and design are subject to change without notice for further improvement.

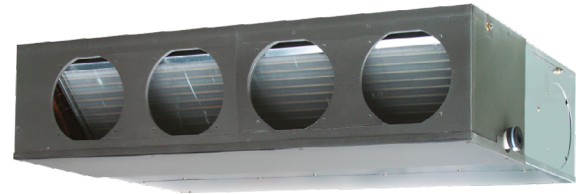
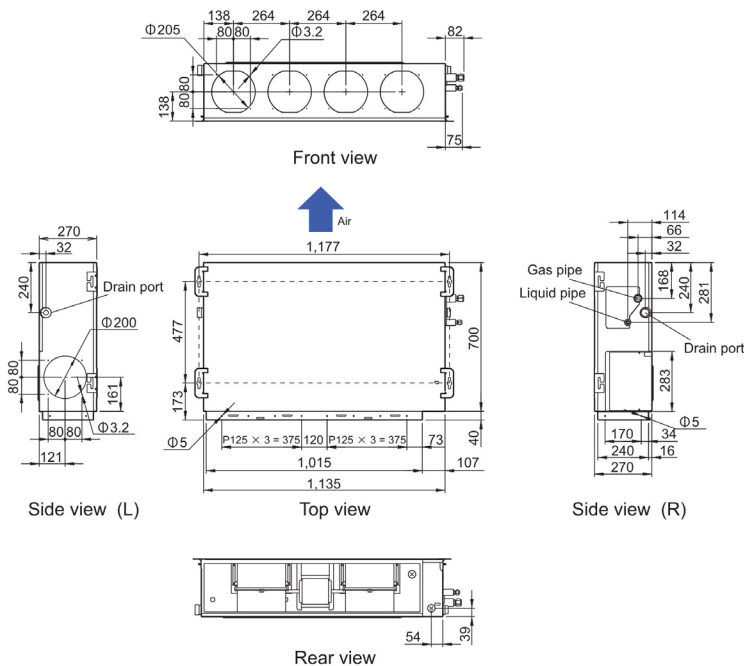
\*Actual products' colors may be different from the colors shown in this printed material.

## ARXG36KMLA

Please visit our webstore for full product and technical documentation 

Unit Type	Medium Static Ducted
Remote Controller	Option
Nominal Cooling Capacity (kW)	9.5
Nominal Heating Capacity (kW)	10.8
Height (mm)	270
Width (mm)	1135
Depth (mm)	700
Weight (kg)	38
Filter	UTDLF25NA / UTDRF204
Standard Static Pressure (Pa)	47
Static Pressure Ranget (Pa)	30 to 150
Airflow Rate - Cooling - High (m3/h)	1900
Airflow Rate - Heating - High (m3/h)	2100
Sound Pressure Level - Cooling - High (dB(A))	39
Sound Pressure Level - Cooling - Low (dB(A))	26
Sound Pressure Level - Heating - High (dB(A))	42
Sound Pressure Level - Heating - Low (dB(A))	26
Sound Power Level - Cooling - High (dB(A))	65
Sound Power Level - Heating - High (dB(A))	70
Moisture Removal (l/h)	3
Refrigerant Type (Global Warming Potential)	R32 (675)
Liquid Pipe Size	3/8"
Gas Pipe Size	5/8"
Unit Power Supply	From Outdoor Unit

Unit: mm



### Document Downloads

[Airflow - Fan Curve](#)  
[Controls & Accessories](#)  
[Dimensional Drawing](#)  
[Function Settings](#)  
[Inputs & Outputs](#)  
[Installation Manual](#)  
[Noise Curve](#)  
[Operation Manual](#)  
[Product Image](#)

[Spare Parts List All Pages](#)  
[Specifications](#)  
[Wiring Diagram](#)

### Related Items

[AOYG36KATA](#) 9.5kW Economy Outdoor Unit - R32 Single Phase  
[AOYG36KQTA](#) 9.5kW Economy Outdoor Unit - R32 Three Phase  
[AOYG36KBTB](#) 9.5kW Standard Outdoor Unit - R32 Single Phase  
[AOYG36KRTA](#) 9.5kW Standard Outdoor Unit - R32 Three Phase  
[UTYRNRZY5](#) Touch Screen Remote Controller  
[UTYTFXSZ1](#) Wireless LAN interface  
[UTDLF25NA](#) Long Life Filter Kit  
[UTDRF204](#) Flange (Round)  
[UTZPX1NBA](#) Drain Pump Unit for ARXA024-045GLEH  
[UTYRCRYZ1](#) Compact Simple Remote controller  
[UTYRVNYM](#) LCD Wired Remote Controller  
[UTYRHRY](#) Simple Remote Controller (without Master Control)  
[UTYRSRY](#) Simple Remote Controller (with Master Control)  
[UTYRSNYM](#) Simplified Wired Remote Controller  
[UTYTERX](#) External switch controller  
[FJRCWIFI1](#) IntesisHome Wireless LAN Adapter for Splits & VRF  
[UTYLBTYM](#) Infra-Red Receiver Kit, Receiver Wire -9710358012  
[UTYXSZX](#) Remote Sensor Unit (for All Duct type)  
[UTYXWZXZG](#) External Connect Kit  
[UTYVTGX](#) Splits Network Converter (DC Powered)  
[UTYVTGXV](#) Splits Network Converter (AC Powered)

\*Specifications and design are subject to change without notice for further improvement.

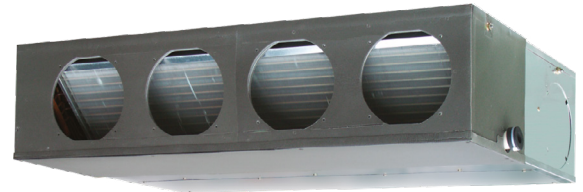
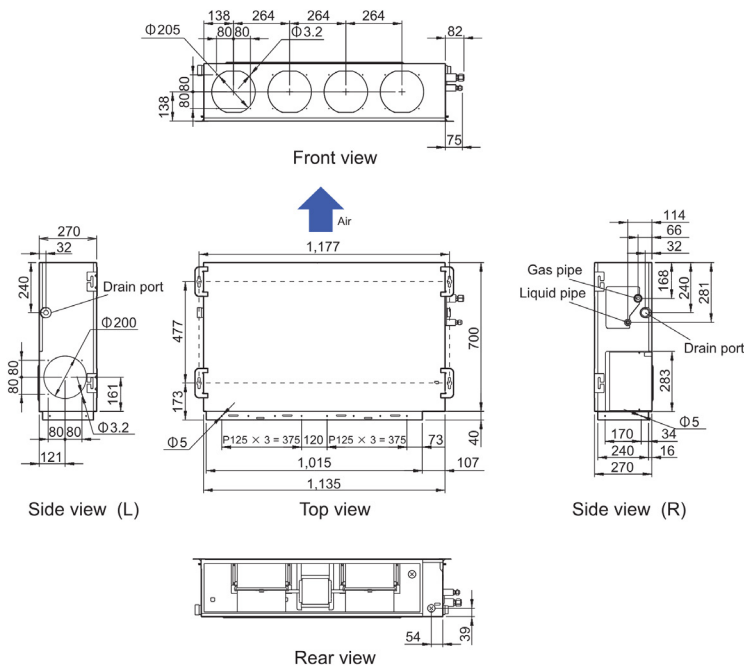
\*Actual products' colors may be different from the colors shown in this printed material.

## ARXG45KMLA

Please visit our webstore for full product and technical documentation 

Unit Type	Medium Static Ducted
Remote Controller	Option
Nominal Cooling Capacity (kW)	12.1
Nominal Heating Capacity (kW)	13.5
Height (mm)	270
Width (mm)	1135
Depth (mm)	700
Weight (kg)	39
Filter	UTDLF25NA / UTDRF204
Standard Static Pressure (Pa)	60
Static Pressure Ranget (Pa)	30 to 150
Airflow Rate - Cooling - High (m3/h)	2100
Airflow Rate - Heating - High (m3/h)	2100
Sound Pressure Level - Cooling - High (dB(A))	42
Sound Pressure Level - Cooling - Low (dB(A))	28
Sound Pressure Level - Heating - High (dB(A))	42
Sound Pressure Level - Heating - Low (dB(A))	28
Sound Power Level - Cooling - High (dB(A))	68
Sound Power Level - Heating - High (dB(A))	70
Moisture Removal (l/h)	4
Refrigerant Type (Global Warming Potential)	R32 (675)
Liquid Pipe Size	3/8"
Gas Pipe Size	5/8"
Unit Power Supply	From Outdoor Unit

Unit: mm



### Document Downloads

[Airflow - Fan Curve](#)  
[Controls & Accessories](#)  
[Dimensional Drawing](#)  
[Function Settings](#)  
[Inputs & Outputs](#)  
[Installation Manual](#)  
[Noise Curve](#)  
[Operation Manual](#)  
[Product Image](#)

[Spare Parts List All Pages](#)  
[Specifications](#)  
[Wiring Diagram](#)

### Related Items

[AOYG45KATA](#) 12.1kW Economy Outdoor Unit - R32 Single Phase  
[AOYG45KQTA](#) 12.1kW Economy Outdoor Unit - R32 Three Phase  
[AOYG45KBTB](#) 12.1kW Standard Outdoor Unit - R32 Single Phase  
[AOYG45KRTA](#) 12.1kW Standard Outdoor Unit - R32 Three Phase  
[UTYRNRZY5](#) Touch Screen Remote Controller  
[UTYTFSXZ1](#) Wireless LAN interface  
[UTDLF25NA](#) Long Life Filter Kit  
[UTDRF204](#) Flange (Round)  
[UTZPX1NBA](#) Drain Pump Unit for ARXA024-045GLEH  
[UTYRCRYZ1](#) Compact Simple Remote controller  
[UTYRVNYM](#) LCD Wired Remote Controller  
[UTYRHRY](#) Simple Remote Controller (without Master Control)  
[UTYRSRY](#) Simple Remote Controller (with Master Control)  
[UTYRSNYM](#) Simplified Wired Remote Controller  
[UTYTERX](#) External switch controller  
[FJRCWIFI1](#) IntesisHome Wireless LAN Adapter for Splits & VRF  
[UTYLBTYM](#) Infra-Red Receiver Kit, Receiver Wire -9710358012  
[UTYXSZX](#) Remote Sensor Unit (for All Duct type)  
[UTYXWZXZG](#) External Connect Kit  
[UTYVTGX](#) Splits Network Converter (DC Powered)  
[UTYVTGXV](#) Splits Network Converter (AC Powered)

\*Specifications and design are subject to change without notice for further improvement.

\*Actual products' colors may be different from the colors shown in this printed material.

# ARXG45KHTA

Please visit our webstore for full product and technical documentation 

Unit Type	High Static Ducted	
Remote Controller	Option	
Nominal Cooling Capacity (kW)	12.1	
Nominal Heating Capacity (kW)	13.5	
Height (mm)	400	
Width (mm)	1050	
Depth (mm)	500	
Weight (kg)	46	
Filter	UTDLF60KA	
Standard Static Pressure (Pa)	100	
Static Pressure Ranget (Pa)	100 to 250	
Airflow Rate - Cooling - High (m3/h)	3350	
Airflow Rate - Heating - High (m3/h)	3350	
Sound Pressure Level - Cooling - High (dB(A))	47	
Sound Pressure Level - Cooling - Low (dB(A))	40	
Sound Pressure Level - Heating - High (dB(A))	47	
Sound Pressure Level - Heating - Low (dB(A))	40	
Sound Power Level - Cooling - High (dB(A))	75	
Sound Power Level - Heating - High (dB(A))	74	
Moisture Removal (l/h)	1.5	
Refrigerant Type (Global Warming Potential)	R32 (675)	
Liquid Pipe Size	3/8"	
Gas Pipe Size	5/8"	
Unit Power Supply	From Outdoor Unit	



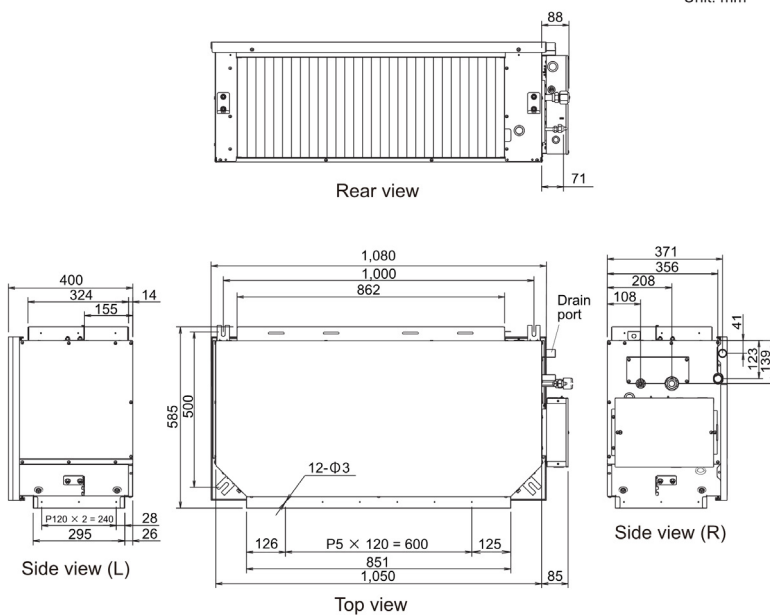
### Document Downloads

- [Airflow - Fan Curve](#)
- [Controls & Accessories](#)
- [Dimensional Drawing](#)
- [Function Settings](#)
- [Inputs & Outputs](#)
- [Installation Manual](#)
- [Noise Curve](#)
- [Operation Manual](#)
- [Product Image](#)
- [Spare Parts List All Pages](#)
- [Specifications](#)
- [Wiring Diagram](#)

### Related Items

- [AOYG45KBTB](#) 12.1kW Standard Outdoor Unit - R32 Single Phase
- [AOYG45KRTA](#) 12.1kW Standard Outdoor Unit - R32 Three Phase
- [UTYRVNYM](#) LCD Wired Remote Controller
- [UTYTFNXZ1](#) Wireless LAN interface
- [UTDLF60KA](#) Long Life Filter Kit
- [UTYRSNYM](#) Simplified Wired Remote Controller
- [FJRCWIFI1](#) IntesisHome Wireless LAN Adapter for Splits & VRF
- [UTDECSSA](#) External Control Set
- [UTYXSZX](#) Remote Sensor Unit (for All Duct type)
- [UTYTERX](#) External switch controller
- [UTYVTGX](#) Splits Network Converter (DC Powered)
- [UTYVTGXV](#) Splits Network Converter (AC Powered)

Unit: mm



\*Specifications and design are subject to change without notice for further improvement.  
 •Actual products' colors may be different from the colors shown in this printed material.

### ARXG54KHTA

Please visit our webstore for full product and technical documentation 

Unit Type	High Static Ducted	
Remote Controller	Option	
Nominal Cooling Capacity (kW)	13.4	
Nominal Heating Capacity (kW)	15.5	
Height (mm)	400	
Width (mm)	1050	
Depth (mm)	500	
Weight (kg)	46	
Filter	UTDLF60KA	
Standard Static Pressure (Pa)	100	
Static Pressure Ranget (Pa)	100 to 250	
Airflow Rate - Cooling - High (m3/h)	3350	
Airflow Rate - Heating - High (m3/h)	3350	
Sound Pressure Level - Cooling - High (dB(A))	47	
Sound Pressure Level - Cooling - Low (dB(A))	40	
Sound Pressure Level - Heating - High (dB(A))	47	
Sound Pressure Level - Heating - Low (dB(A))	40	
Sound Power Level - Cooling - High (dB(A))	75	
Sound Power Level - Heating - High (dB(A))	74	
Moisture Removal (l/h)	2	
Refrigerant Type (Global Warming Potential)	R32 (675)	
Liquid Pipe Size	3/8"	
Gas Pipe Size	5/8"	
Unit Power Supply	From Outdoor Unit	



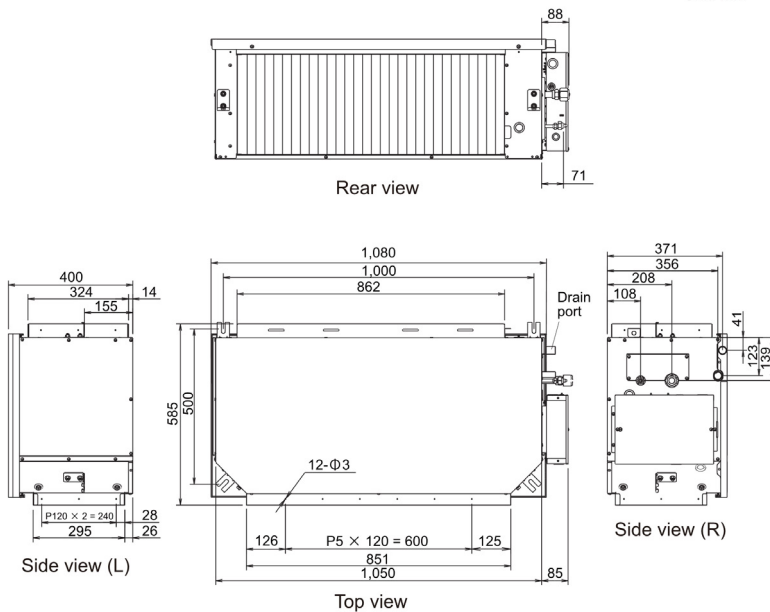
#### Document Downloads

- [Airflow - Fan Curve](#)
- [Controls & Accessories](#)
- [Dimensional Drawing](#)
- [Function Settings](#)
- [Inputs & Outputs](#)
- [Installation Manual](#)
- [Noise Curve](#)
- [Operation Manual](#)
- [Product Image](#)
- [Spare Parts List All Pages](#)
- [Specifications](#)
- [Wiring Diagram](#)

#### Related Items

- [AOYG54KBTB](#) 13.4kW Standard Outdoor Unit - R32 Single Phase
- [AOYG54KRTA](#) 13.4kW Standard Outdoor Unit - R32 Three Phase
- [UTYRVNYM](#) LCD Wired Remote Controller
- [UTYTFNXZ1](#) Wireless LAN interface
- [UTDLF60KA](#) Long Life Filter Kit
- [UTYRSNYM](#) Simplified Wired Remote Controller
- [FJRCWIFI1](#) IntesisHome Wireless LAN Adapter for Splits & VRF
- [UTDECSSA](#) External Control Set
- [UTYXSZX](#) Remote Sensor Unit (for All Duct type)
- [UTYTERX](#) External switch controller
- [UTYVTGX](#) Splits Network Converter (DC Powered)
- [UTYVTGXV](#) Splits Network Converter (AC Powered)

Unit: mm



\*Specifications and design are subject to change without notice for further improvement.  
 •Actual products' colors may be different from the colors shown in this printed material.



## ABYG18KRTA

Please visit our webstore for full product and technical documentation 

Unit Type	Remote Controller	Ceiling Suspended Option
Nominal Cooling Capacity	(kW)	5.2
Nominal Heating Capacity	(kW)	6.0
Height	(mm)	235
Width	(mm)	1080
Depth	(mm)	705
Weight	(kg)	24
Airflow Rate - Cooling - High	(m <sup>3</sup> /h)	840
Airflow Rate - Heating - High	(m <sup>3</sup> /h)	840
Sound Pressure Level - Cooling - High	(dB(A))	38
Sound Pressure Level - Cooling - Low	(dB(A))	33
Sound Pressure Level - Heating - High	(dB(A))	38
Sound Pressure Level - Heating - Low	(dB(A))	33
Sound Power Level - Cooling - High	(dB(A))	53
Sound Power Level - Heating - High	(dB(A))	53
Moisture Removal	(l/h)	2
Refrigerant Type (Global Warming Potential)		R32 (675)
Liquid Pipe Size		1/4"
Gas Pipe Size		1/2"
Unit Power Supply		From Outdoor Unit



### Document Downloads

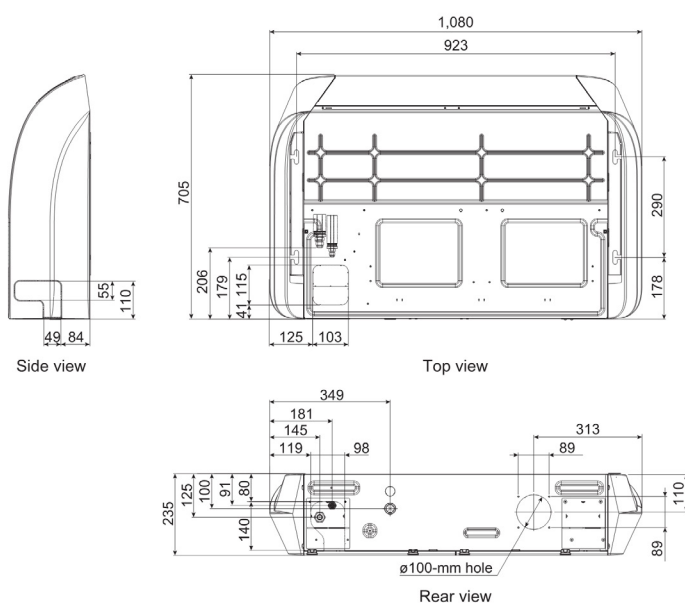
[Airflow - Fan Curve](#)  
[Controls & Accessories](#)  
[Dimensional Drawing](#)  
[Function Settings](#)  
[Inputs & Outputs](#)  
[Installation Manual](#)  
[Noise Curve](#)  
[Operation Manual](#)  
[Product Image](#)

[Spare Parts List All Pages](#)  
[Specifications](#)  
[Wiring Diagram](#)

### Related Items

[AOYG18KATA](#) 5.2kW Economy Outdoor Unit - R32 Single Phase  
[AOYG18KBTB](#) 5.2kW Standard Outdoor Unit - R32 Single Phase  
[AOYG18KBTA3](#) 5.4kW 3 Way Multi Outdoor Unit - R32 1 Ph  
[AOYG24KBTA3](#) 6.8kW 3 Way Multi Outdoor Unit - R32 1 Ph  
[AOYG30KBTA4](#) 8.0kW 4 Way Multi Outdoor Unit - R32 1 Ph  
[AOYG36KBTA5](#) 10.0kW 5 Way Multi Outdoor Unit - R32 1 Ph  
[UTYRNRZY5](#) Touch Screen Remote Controller  
[UTYTFXSXZ1](#) Wireless LAN interface  
[UTRDPB24T](#) Drain Pump Unit (for Ceiling type)  
[UTYRCRYZ1](#) Compact Simple Remote controller  
[UTYRHRV](#) Simple Remote Controller (without Master Control)  
[UTYRSRY](#) Simple Remote Controller (with Master Control)  
[UTYXCX](#) External Input / Output PCB  
[UTZGXEA](#) External input output PCB box  
[UTYXWZXZG](#) External Connect Kit  
[UTYLBTYH](#) Infra-Red Receiver Kit - Ceiling Suspended  
[UTYTERX](#) External switch controller  
[UTYVTGX](#) Splits Network Converter (DC Powered)  
[UTYVTGXV](#) Splits Network Converter (AC Powered)

Unit: mm



\*Specifications and design are subject to change without notice for further improvement.

\*Actual products' colors may be different from the colors shown in this printed material.

## ABYG22KRTA

Please visit our webstore for full product and technical documentation 

Unit Type	Remote Controller	Ceiling Suspended	Option
Nominal Cooling Capacity	(kW)	6.0	
Nominal Heating Capacity	(kW)	7.0	
Height	(mm)	235	
Width	(mm)	1080	
Depth	(mm)	705	
Weight	(kg)	24	
Airflow Rate - Cooling - High	(m <sup>3</sup> /h)	900	
Airflow Rate - Heating - High	(m <sup>3</sup> /h)	900	
Sound Pressure Level - Cooling - High	(dB(A))	42	
Sound Pressure Level - Cooling - Low	(dB(A))	34	
Sound Pressure Level - Heating - High	(dB(A))	42	
Sound Pressure Level - Heating - Low	(dB(A))	34	
Sound Power Level - Cooling - High	(dB(A))	57	
Sound Power Level - Heating - High	(dB(A))	57	
Moisture Removal	(l/h)	2.5	
Refrigerant Type (Global Warming Potential)		R32 (675)	
Liquid Pipe Size		1/4"	
Gas Pipe Size		1/2"	
Unit Power Supply		From Outdoor Unit	



### Document Downloads

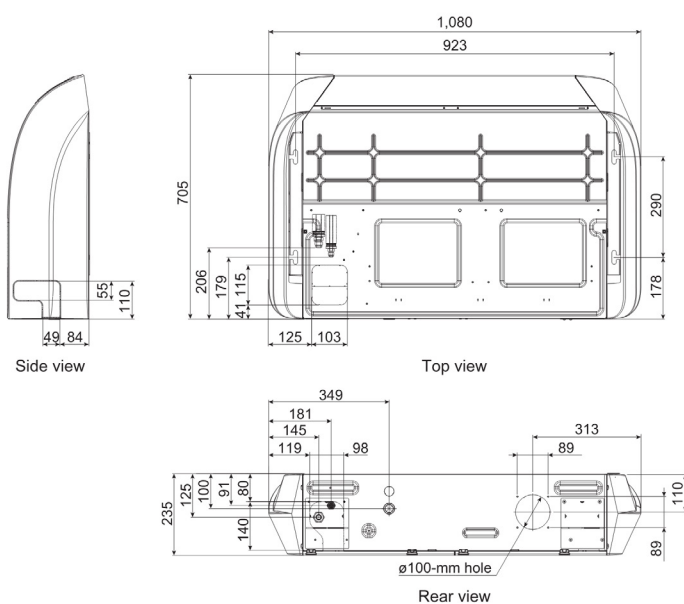
[Airflow - Fan Curve](#)  
[Controls & Accessories](#)  
[Dimensional Drawing](#)  
[Function Settings](#)  
[Inputs & Outputs](#)  
[Installation Manual](#)  
[Noise Curve](#)  
[Operation Manual](#)  
[Product Image](#)

[Spare Parts List All Pages](#)  
[Specifications](#)  
[Wiring Diagram](#)

### Related Items

[AOYG22KATA](#) 6.0kW Economy Outdoor Unit - R32 Single Phase  
[AOYG22KBTB](#) 6.0kW Standard Outdoor Unit - R32 Single Phase  
[AOYG30KBTA4](#) 8.0kW 4 Way Multi Outdoor Unit - R32 1 Ph  
[AOYG36KBTA5](#) 10.0kW 5 Way Multi Outdoor Unit - R32 1 Ph  
[UTYRNRZY5](#) Touch Screen Remote Controller  
[UTYTF SXZ1](#) Wireless LAN interface  
[UTRDPB24T](#) Drain Pump Unit (for Ceiling type)  
[UTYRCRYZ1](#) Compact Simple Remote controller  
[UTYRHRY](#) Simple Remote Controller (without Master Control)  
[UTYRSRY](#) Simple Remote Controller (with Master Control)  
[UTYXCSX](#) External Input / Output PCB  
[UTZGXEA](#) External input output PCB box  
[UTYXWZXZG](#) External Connect Kit  
[UTYLBTYH](#) Infra-Red Receiver Kit - Ceiling Suspended  
[UTYTERX](#) External switch controller  
[UTYVTGX](#) Splits Network Converter (DC Powered)  
[UTYVTGXV](#) Splits Network Converter (AC Powered)

Unit: mm



\*Specifications and design are subject to change without notice for further improvement.

\*Actual products' colors may be different from the colors shown in this printed material.

## ABYG24KRTA

Please visit our webstore for full product and technical documentation 

Unit Type	Remote Controller	Ceiling Suspended Option
Nominal Cooling Capacity	(kW)	6.8
Nominal Heating Capacity	(kW)	7.5
Height	(mm)	235
Width	(mm)	1390
Depth	(mm)	705
Weight	(kg)	31
Airflow Rate - Cooling - High	(m <sup>3</sup> /h)	1230
Airflow Rate - Heating - High	(m <sup>3</sup> /h)	1230
Sound Pressure Level - Cooling - High	(dB(A))	41
Sound Pressure Level - Cooling - Low	(dB(A))	32
Sound Pressure Level - Heating - High	(dB(A))	41
Sound Pressure Level - Heating - Low	(dB(A))	32
Sound Power Level - Cooling - High	(dB(A))	56
Sound Power Level - Heating - High	(dB(A))	56
Moisture Removal	(l/h)	2.2
Refrigerant Type (Global Warming Potential)		R32 (675)
Liquid Pipe Size		1/4"
Gas Pipe Size		1/2"
Unit Power Supply		From Outdoor Unit



### Document Downloads

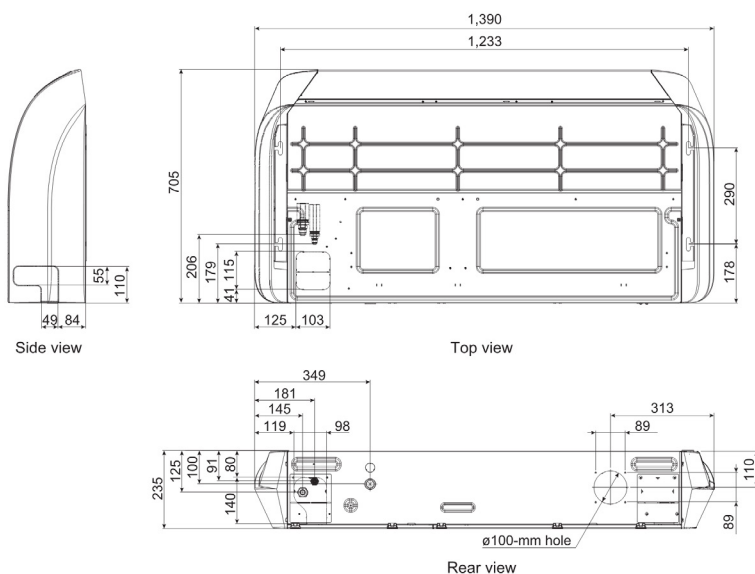
[Airflow - Fan Curve](#)  
[Controls & Accessories](#)  
[Dimensional Drawing](#)  
[Function Settings](#)  
[Inputs & Outputs](#)  
[Installation Manual](#)  
[Noise Curve](#)  
[Operation Manual](#)  
[Product Image](#)

[Spare Parts List All Pages](#)  
[Specifications](#)  
[Wiring Diagram](#)

### Related Items

[AOYG24KATA](#) 6.8kW Economy Outdoor Unit - R32 Single Phase  
[AOYG24KBTB](#) 6.8kW Standard Outdoor Unit - R32 Single Phase  
[UTYRNRYZ5](#) Touch Screen Remote Controller  
[UTYFSSXZ1](#) Wireless LAN interface  
[UTRDPB24T](#) Drain Pump Unit (for Ceiling type)  
[UTYRCRYZ1](#) Compact Simple Remote controller  
[UTYRHRY](#) Simple Remote Controller (without Master Control)  
[UTYRSRY](#) Simple Remote Controller (with Master Control)  
[UTYXCSX](#) External Input / Output PCB  
[UTZGXEAE](#) External input output PCB box  
[UTYXWZXZG](#) External Connect Kit  
[UTYLBTYH](#) Infra-Red Receiver Kit - Ceiling Suspended  
[UTYTERX](#) External switch controller  
[UTYVTGX](#) Splits Network Converter (DC Powered)  
[UTYVTGXV](#) Splits Network Converter (AC Powered)

Unit: mm



\*Specifications and design are subject to change without notice for further improvement.  
 •Actual products' colors may be different from the colors shown in this printed material.

## ABYG30KRTA

Please visit our webstore for full product and technical documentation 

Unit Type	Remote Controller	Ceiling Suspended Option
Nominal Cooling Capacity	(kW)	8.5
Nominal Heating Capacity	(kW)	10.0
Height	(mm)	235
Width	(mm)	1390
Depth	(mm)	705
Weight	(kg)	31
Airflow Rate - Cooling - High	(m <sup>3</sup> /h)	1400
Airflow Rate - Heating - High	(m <sup>3</sup> /h)	1400
Sound Pressure Level - Cooling - High	(dB(A))	45
Sound Pressure Level - Cooling - Low	(dB(A))	35
Sound Pressure Level - Heating - High	(dB(A))	45
Sound Pressure Level - Heating - Low	(dB(A))	35
Sound Power Level - Cooling - High	(dB(A))	60
Sound Power Level - Heating - High	(dB(A))	60
Moisture Removal	(l/h)	3
Refrigerant Type (Global Warming Potential)		R32 (675)
Liquid Pipe Size		3/8"
Gas Pipe Size		5/8"
Unit Power Supply		From Outdoor Unit



### Document Downloads

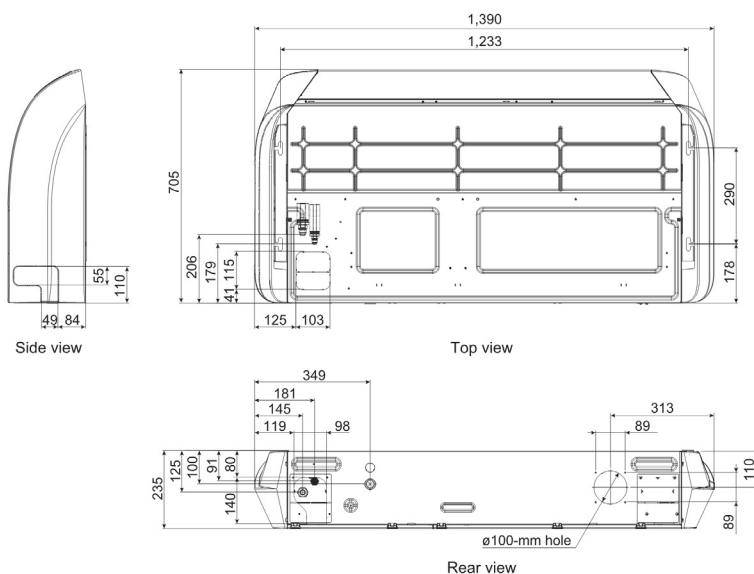
[Airflow - Fan Curve](#)  
[Controls & Accessories](#)  
[Dimensional Drawing](#)  
[Function Settings](#)  
[Inputs & Outputs](#)  
[Installation Manual](#)  
[Noise Curve](#)  
[Operation Manual](#)  
[Product Image](#)

[Spare Parts List All Pages](#)  
[Specifications](#)  
[Wiring Diagram](#)

### Related Items

[AOYG30KATA](#) 8.5kW Economy Outdoor Unit - R32 Single Phase  
[AOYG30KBTB](#) 8.5kW Standard Outdoor Unit - R32 Single Phase  
[UTYRNRYZ5](#) Touch Screen Remote Controller  
[UTYFSSXZ1](#) Wireless LAN interface  
[UTRDPB24T](#) Drain Pump Unit (for Ceiling type)  
[UTYRCRYZ1](#) Compact Simple Remote controller  
[UTYRHRY](#) Simple Remote Controller (without Master Control)  
[UTYRSRY](#) Simple Remote Controller (with Master Control)  
[UTYXCSX](#) External Input / Output PCB  
[UTZGXEAE](#) External input output PCB box  
[UTYXWZXZG](#) External Connect Kit  
[UTYLBTYH](#) Infra-Red Receiver Kit - Ceiling Suspended  
[UTYTERX](#) External switch controller  
[UTYVTGX](#) Splits Network Converter (DC Powered)  
[UTYVTGXV](#) Splits Network Converter (AC Powered)

Unit: mm



\*Specifications and design are subject to change without notice for further improvement.  
 •Actual products' colors may be different from the colors shown in this printed material.

## ABYG36KRTA

Please visit our webstore for full product and technical documentation 

Unit Type	Remote Controller	Ceiling Suspended Option
Nominal Cooling Capacity	(kW)	9.5
Nominal Heating Capacity	(kW)	10.8
Height	(mm)	235
Width	(mm)	1700
Depth	(mm)	705
Weight	(kg)	38
Airflow Rate - Cooling - High	(m <sup>3</sup> /h)	1850
Airflow Rate - Heating - High	(m <sup>3</sup> /h)	1850
Sound Pressure Level - Cooling - High	(dB(A))	44
Sound Pressure Level - Cooling - Low	(dB(A))	37
Sound Pressure Level - Heating - High	(dB(A))	44
Sound Pressure Level - Heating - Low	(dB(A))	37
Sound Power Level - Cooling - High	(dB(A))	59
Sound Power Level - Heating - High	(dB(A))	59
Moisture Removal	(l/h)	2.6
Refrigerant Type (Global Warming Potential)		R32 (675)
Liquid Pipe Size		3/8"
Gas Pipe Size		5/8"
Unit Power Supply		From Outdoor Unit



### Document Downloads

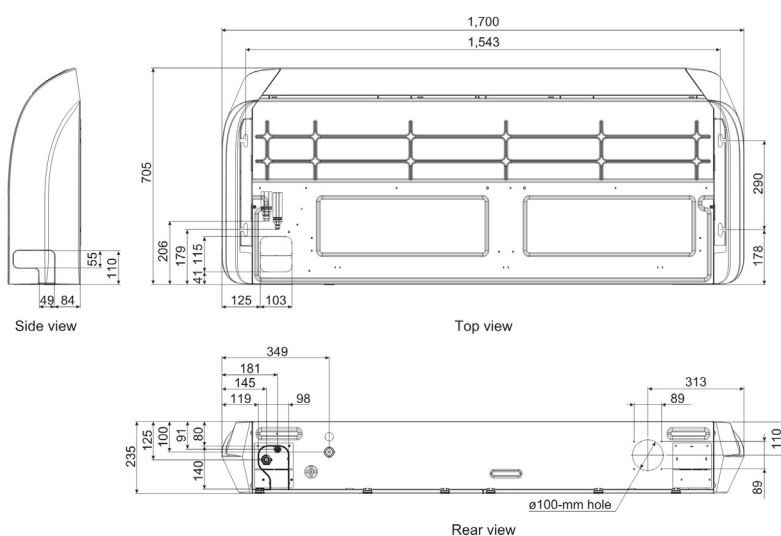
[Airflow - Fan Curve](#)  
[Controls & Accessories](#)  
[Dimensional Drawing](#)  
[Function Settings](#)  
[Inputs & Outputs](#)  
[Installation Manual](#)  
[Noise Curve](#)  
[Operation Manual](#)  
[Product Image](#)

[Spare Parts List All Pages](#)  
[Specifications](#)  
[Wiring Diagram](#)

### Related Items

[AOYG36KATA](#) 9.5kW Economy Outdoor Unit - R32 Single Phase  
[AOYG36KQTA](#) 9.5kW Economy Outdoor Unit - R32 Three Phase  
[AOYG36KBTB](#) 9.5kW Standard Outdoor Unit - R32 Single Phase  
[AOYG36KRTA](#) 9.5kW Standard Outdoor Unit - R32 Three Phase  
[UTYRNRYZ5](#) Touch Screen Remote Controller  
[UTYTF SXZ1](#) Wireless LAN interface  
[UTRD PB24T](#) Drain Pump Unit (for Ceiling type)  
[UTYRCRYZ1](#) Compact Simple Remote controller  
[UTYRHRY](#) Simple Remote Controller (without Master Control)  
[UTYRSRY](#) Simple Remote Controller (with Master Control)  
[UTYXCSX](#) External Input / Output PCB  
[UTZG XEA](#) External input output PCB box  
[UTYXWZXZG](#) External Connect Kit  
[UTYLBTYH](#) Infra-Red Receiver Kit - Ceiling Suspended  
[UTYTERX](#) External switch controller  
[UTYVTGX](#) Splits Network Converter (DC Powered)  
[UTYVTGXV](#) Splits Network Converter (AC Powered)

Unit: mm



\*Specifications and design are subject to change without notice for further improvement.  
 •Actual products' colors may be different from the colors shown in this printed material.

## ABYG45KRTA

Please visit our webstore for full product and technical documentation 

Unit Type	Remote Controller	Ceiling Suspended
Nominal Cooling Capacity (kW)		12.1
Nominal Heating Capacity (kW)		13.5
Height (mm)		235
Width (mm)		1700
Depth (mm)		705
Weight (kg)		38
Airflow Rate - Cooling - High (m <sup>3</sup> /h)		1900
Airflow Rate - Heating - High (m <sup>3</sup> /h)		1850
Sound Pressure Level - Cooling - High (dB(A))		45
Sound Pressure Level - Cooling - Low (dB(A))		39
Sound Pressure Level - Heating - High (dB(A))		45
Sound Pressure Level - Heating - Low (dB(A))		39
Sound Power Level - Cooling - High (dB(A))		60
Sound Power Level - Heating - High (dB(A))		60
Moisture Removal (l/h)		4.5
Refrigerant Type (Global Warming Potential)		R32 (675)
Liquid Pipe Size		3/8"
Gas Pipe Size		5/8"
Unit Power Supply		From Outdoor Unit



### Document Downloads

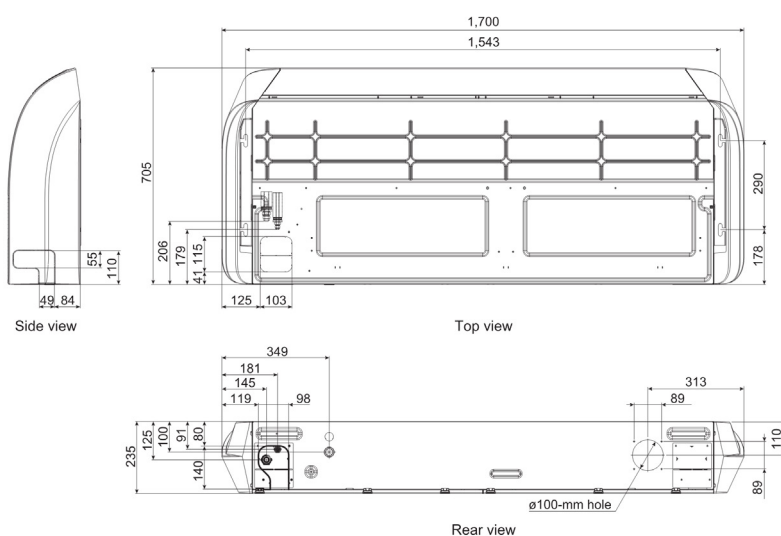
[Airflow - Fan Curve](#)  
[Controls & Accessories](#)  
[Dimensional Drawing](#)  
[Function Settings](#)  
[Inputs & Outputs](#)  
[Installation Manual](#)  
[Noise Curve](#)  
[Operation Manual](#)  
[Product Image](#)

[Spare Parts List All Pages](#)  
[Specifications](#)  
[Wiring Diagram](#)

### Related Items

[AOYG45KATA](#) 12.1kW Economy Outdoor Unit - R32 Single Phase  
[AOYG45KQTA](#) 12.1kW Economy Outdoor Unit - R32 Three Phase  
[AOYG45KBTB](#) 12.1kW Standard Outdoor Unit - R32 Single Phase  
[AOYG45KRTA](#) 12.1kW Standard Outdoor Unit - R32 Three Phase  
[UTYRNRYZ5](#) Touch Screen Remote Controller  
[UTYTF SXZ1](#) Wireless LAN interface  
[UTRDPB24T](#) Drain Pump Unit (for Ceiling type)  
[UTYRCRYZ1](#) Compact Simple Remote controller  
[UTYRHRY](#) Simple Remote Controller (without Master Control)  
[UTYRSRY](#) Simple Remote Controller (with Master Control)  
[UTYXCSX](#) External Input / Output PCB  
[UTZGXEA](#) External input output PCB box  
[UTYXWZXZG](#) External Connect Kit  
[UTYLBTYH](#) Infra-Red Receiver Kit - Ceiling Suspended  
[UTYTERX](#) External switch controller  
[UTYVTGX](#) Splits Network Converter (DC Powered)  
[UTYVTGXV](#) Splits Network Converter (AC Powered)

Unit: mm



\*Specifications and design are subject to change without notice for further improvement.  
 •Actual products' colors may be different from the colors shown in this printed material.

## ABYG54KRTA

Please visit our webstore for full product and technical documentation 

Unit Type	Remote Controller	Ceiling Suspended	Option
Nominal Cooling Capacity (kW)		13.4	
Nominal Heating Capacity (kW)		15.5	
Height (mm)		235	
Width (mm)		1700	
Depth (mm)		705	
Weight (kg)		40	
Sound Pressure Level - Cooling - High (dB(A))		48	
Sound Pressure Level - Cooling - Low (dB(A))		41	
Sound Pressure Level - Heating - High (dB(A))		48	
Sound Pressure Level - Heating - Low (dB(A))		41	
Sound Power Level - Cooling - High (dB(A))		63	
Sound Power Level - Heating - High (dB(A))		63	
Moisture Removal (l/h)			
Refrigerant Type (Global Warming Potential)		R32 (675)	
Liquid Pipe Size		3/8"	
Gas Pipe Size		5/8"	
Unit Power Supply		From Outdoor Unit	



### Document Downloads

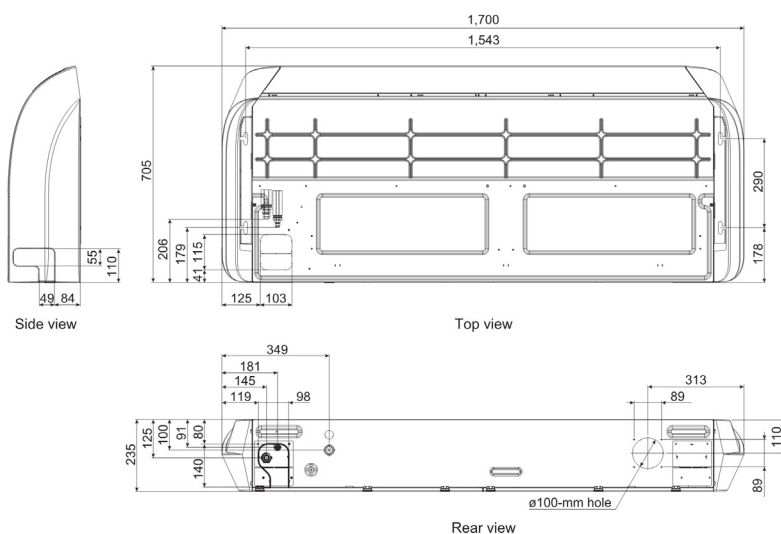
[Airflow - Fan Curve](#)  
[Controls & Accessories](#)  
[Dimensional Drawing](#)  
[Function Settings](#)  
[Inputs & Outputs](#)  
[Installation Manual](#)  
[Noise Curve](#)  
[Operation Manual](#)  
[Product Image](#)

[Spare Parts List All Pages](#)  
[Specifications](#)  
[Wiring Diagram](#)

### Related Items

[AOYG54KRTA](#) 13.4kW Standard Outdoor Unit - R32 Three Phase  
[UTYRNRYZ5](#) Touch Screen Remote Controller  
[UTYFSSXZ1](#) Wireless LAN interface  
[UTRDPB24T](#) Drain Pump Unit (for Ceiling type)  
[UTYRCRYZ1](#) Compact Simple Remote controller  
[UTYRHRY](#) Simple Remote Controller (without Master Control)  
[UTYRSRY](#) Simple Remote Controller (with Master Control)  
[UTYXCSX](#) External Input / Output PCB  
[UTZGXEAE](#) External input output PCB box  
[UTYXWZXZG](#) External Connect Kit  
[UTYLBTYH](#) Infra-Red Receiver Kit - Ceiling Suspended  
[UTYTERX](#) External switch controller  
[UTYVTGX](#) Splits Network Converter (DC Powered)  
[UTYVTGXV](#) Splits Network Converter (AC Powered)

Unit: mm

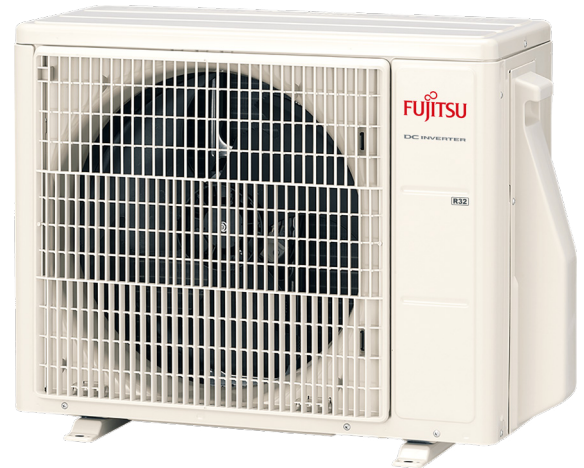


\*Specifications and design are subject to change without notice for further improvement.  
 •Actual products' colors may be different from the colors shown in this printed material.

# AOYG09KATA

Please visit our [webstore](#) for full product and technical documentation 

Nominal Cooling Capacity	(kW)	2.5
Nominal Heating Capacity	(kW)	3.2
Height	(mm)	541
Width	(mm)	663
Depth	(mm)	290
Weight	(kg)	23
Airflow Rate - Cooling - High	(m3/h)	1610
Airflow Rate - Heating - High	(m3/h)	1550
Sound Pressure Level - Cooling - High	(dB(A))	47
Sound Pressure Level - Heating - High	(dB(A))	48
Sound Power Level - Cooling - High	(dB(A))	60
Sound Power Level - Heating - High	(dB(A))	60
Refrigerant Type (Global Warming Potential)		R32 (675)
Liquid Pipe Size		1/4"
Gas Pipe Size		3/8"
Min - Max Pipe Length	(m)	3 - 15
Max Height Difference	(m)	15
Refrigerant Charge (kg)	(kg)	0.6
Refrigerant CO2eq-T		0.405
Precharged For	(m)	15
Additional Charge (g/m)	(g/m)	20
Unit Power Supply		1Ph-230V-50Hz
Suggested Fuse Size	(A)	10
Cooling Mode Minimum Ambient	(°C)	-10
Cooling Mode Maximum Ambient	(°C)	46
Heating Mode Minimum Ambient	(°C)	-15
Heating Mode Maximum Ambient	(°C)	24



### Document Downloads

[Accessories](#)
[Airflow](#)
[Capacity Correction](#)
[Charging Details](#)
[Controls & Accessories](#)
[Dimensional Drawing](#)
[Electrical Characteristics](#)
[Installation Manual](#)
[Installation Space](#)
[Noise Curve](#)
[Product Image](#)
[Refrigerant Circuit](#)
[Spare Parts List All Pages](#)
[Specifications](#)
[Wiring Diagram](#)

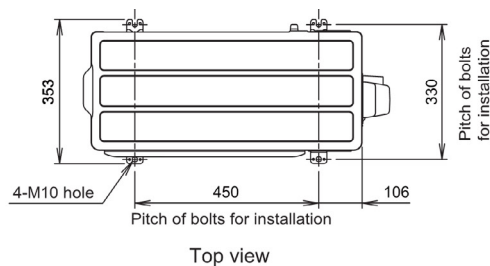
### Related Items

[AUXG09KVL](#)

2.5kW Compact Cassette Indoor Unit - R32

[ARXG09KLLAP](#)

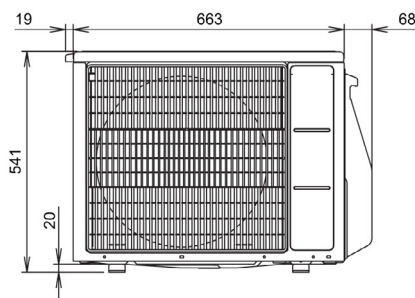
2.5kW Slim Ducted Indoor Unit - R32



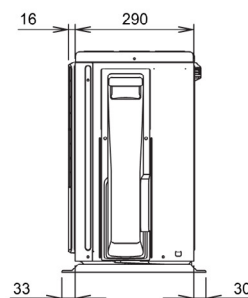
Top view



Side view



Front view



Side view

Units: mm

\*Specifications and design are subject to change without notice for further improvement.

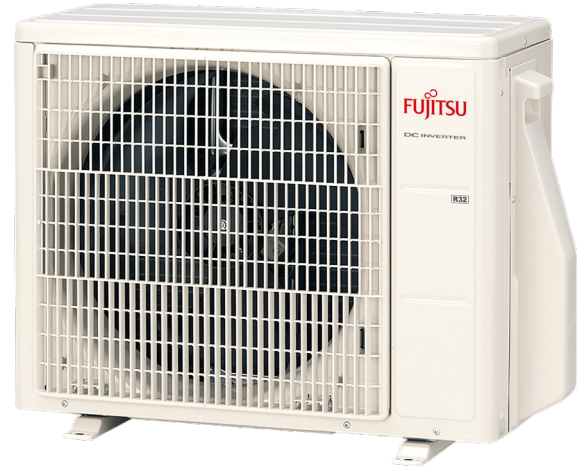
\*Actual products' colors may be different from the colors shown in this printed material.



# AOYG12KATA

Please visit our [webstore](#) for full product and technical documentation 

Nominal Cooling Capacity	(kW)	3.5
Nominal Heating Capacity	(kW)	4.1
Height	(mm)	541
Width	(mm)	663
Depth	(mm)	290
Weight	(kg)	25
Airflow Rate - Cooling - High	(m3/h)	1630
Airflow Rate - Heating - High	(m3/h)	1410
Sound Pressure Level - Cooling - High	(dB(A))	49
Sound Pressure Level - Heating - High	(dB(A))	50
Sound Power Level - Cooling - High	(dB(A))	62
Sound Power Level - Heating - High	(dB(A))	62
Refrigerant Type (Global Warming Potential)		R32 (675)
Liquid Pipe Size		1/4"
Gas Pipe Size		3/8"
Min - Max Pipe Length	(m)	3 - 15
Max Height Difference	(m)	15
Refrigerant Charge (kg)	(kg)	0.7
Refrigerant CO2eq-T		0.473
Precharged For	(m)	15
Additional Charge (g/m)	(g/m)	20
Unit Power Supply		1Ph-230V-50Hz
Suggested Fuse Size	(A)	10
Cooling Mode Minimum Ambient	(°C)	-10
Cooling Mode Maximum Ambient	(°C)	46
Heating Mode Minimum Ambient	(°C)	-15
Heating Mode Maximum Ambient	(°C)	24



### Document Downloads

[Accessories](#)
[Airflow](#)
[Capacity Correction](#)
[Charging Details](#)
[Controls & Accessories](#)
[Dimensional Drawing](#)
[Electrical Characteristics](#)
[Installation Manual](#)
[Installation Space](#)
[Noise Curve](#)
[Product Image](#)
[Refrigerant Circuit](#)
[Spare Parts List All Pages](#)
[Specifications](#)
[Wiring Diagram](#)

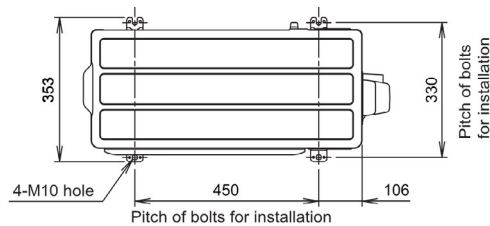
### Related Items

[AUXG12KVL4](#)

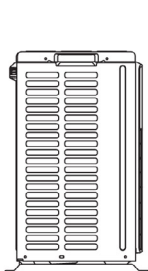
3.5kW Compact Cassette Indoor Unit - R32

[ARXG12KLLAP](#)

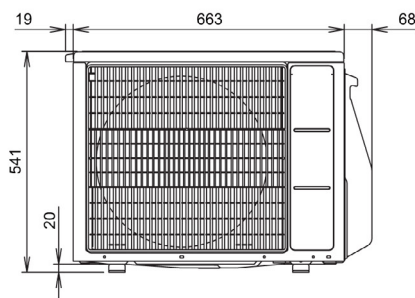
3.5kW Slim Ducted Indoor Unit - R32



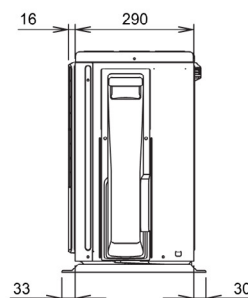
Top view



Side view



Front view



Side view

Units: mm

\*Specifications and design are subject to change without notice for further improvement.

\*Actual products' colors may be different from the colors shown in this printed material.

### AOYG14KATA

Please visit our [webstore](#) for full product and technical documentation 

Nominal Cooling Capacity	(kW)	4.3
Nominal Heating Capacity	(kW)	5.0
Height	(mm)	542
Width	(mm)	799
Depth	(mm)	290
Weight	(kg)	32
Airflow Rate - Cooling - High	(m3/h)	1670
Airflow Rate - Heating - High	(m3/h)	1580
Sound Pressure Level - Cooling - High	(dB(A))	50
Sound Pressure Level - Heating - High	(dB(A))	51
Sound Power Level - Cooling - High	(dB(A))	63
Sound Power Level - Heating - High	(dB(A))	63
Refrigerant Type (Global Warming Potential)		R32 (675)
Liquid Pipe Size		1/4"
Gas Pipe Size		3/8"
Min - Max Pipe Length	(m)	3 - 20
Max Height Difference	(m)	15
Refrigerant Charge (kg)	(kg)	0.85
Refrigerant CO2eq-T		0.574
Precharged For	(m)	15
Additional Charge (g/m)	(g/m)	20
Unit Power Supply		1Ph-230V-50Hz
Suggested Fuse Size	(A)	16
Cooling Mode Minimum Ambient	(°C)	-10
Cooling Mode Maximum Ambient	(°C)	46
Heating Mode Minimum Ambient	(°C)	-15
Heating Mode Maximum Ambient	(°C)	24



#### Document Downloads

[Accessories](#)
[Airflow](#)
[Capacity Correction](#)
[Charging Details](#)
[Controls & Accessories](#)
[Dimensional Drawing](#)
[Electrical Characteristics](#)
[Installation Manual](#)
[Installation Space](#)
[Noise Curve](#)
[Product Image](#)
[Refrigerant Circuit](#)
[Spare Parts List All Pages](#)
[Specifications](#)
[Wiring Diagram](#)

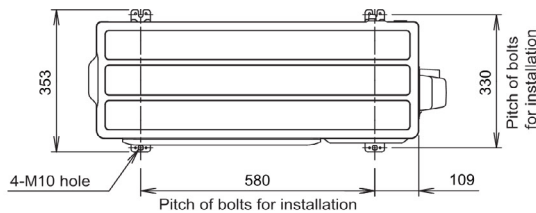
#### Related Items

[AUXG14KVL4](#)

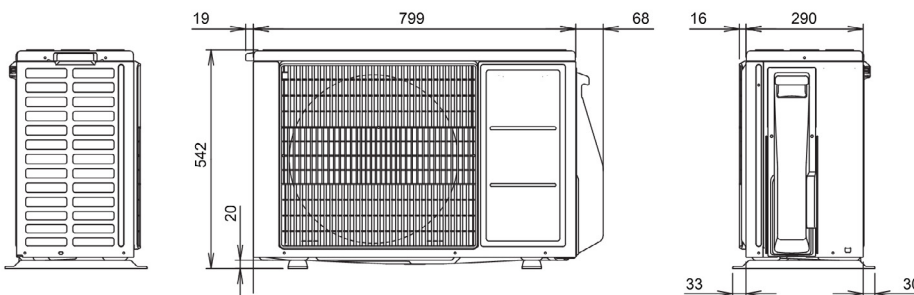
4.3kW Compact Cassette Indoor Unit - R32

[ARXG14KLLAP](#)

4.3kW Slim Ducted Indoor Unit - R32



Top view



Side view

Front view

Side view

Units: mm

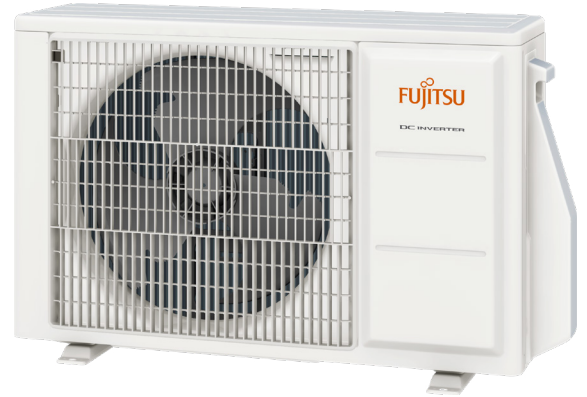
\*Specifications and design are subject to change without notice for further improvement.

\*Actual products' colors may be different from the colors shown in this printed material.

# AOYG18KATA

Please visit our [webstore](#) for full product and technical documentation 

Nominal Cooling Capacity	(kW)	5.2
Nominal Heating Capacity	(kW)	6.0
Height	(mm)	542
Width	(mm)	799
Depth	(mm)	290
Weight	(kg)	33
Airflow Rate - Cooling - High	(m <sup>3</sup> /h)	1710
Airflow Rate - Heating - High	(m <sup>3</sup> /h)	1840
Sound Pressure Level - Cooling - High	(dB(A))	51
Sound Pressure Level - Heating - High	(dB(A))	52
Sound Power Level - Cooling - High	(dB(A))	63
Sound Power Level - Heating - High	(dB(A))	64
Refrigerant Type (Global Warming Potential)		R32 (675)
Liquid Pipe Size		1/4"
Gas Pipe Size		1/2"
Min - Max Pipe Length	(m)	3 - 20
Max Height Difference	(m)	15
Refrigerant Charge (kg)	(kg)	0.9
Refrigerant CO <sub>2</sub> eq-T		0.608
Precharged For	(m)	15
Additional Charge (g/m)	(g/m)	20
Unit Power Supply		1Ph-230V-50Hz
Suggested Fuse Size	(A)	16
Cooling Mode Minimum Ambient	(°C)	-10
Cooling Mode Maximum Ambient	(°C)	46
Heating Mode Minimum Ambient	(°C)	-15
Heating Mode Maximum Ambient	(°C)	24



### Document Downloads

[Accessories](#)
[Airflow](#)
[Capacity Correction](#)
[Charging Details](#)
[Controls & Accessories](#)
[Dimensional Drawing](#)
[Electrical Characteristics](#)
[Installation Manual](#)
[Installation Space](#)
[Noise Curve](#)
[Product Image](#)
[Refrigerant Circuit](#)
[Spare Parts List All Pages](#)
[Specifications](#)
[Wiring Diagram](#)

### Related Items

[AUXG18KVLA](#)

5.2kW Compact Cassette Indoor Unit - R32

[AUXG18KRLB](#)

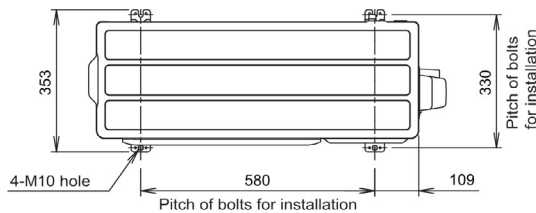
5.2kW Circular Flow Cassette Indoor Unit - R32

[ARXG18KLLAP](#)

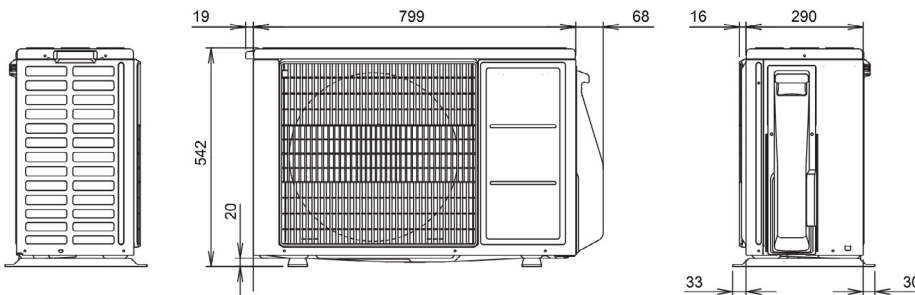
5.2kW Slim Ducted Indoor Unit - R32

[ABYG18KRTA](#)

5.2kW Ceiling Suspended Indoor Unit - R32



Top view



Side view

Front view

Side view

Units: mm

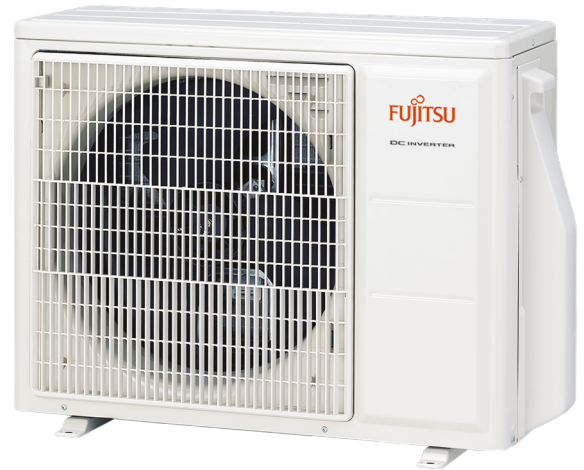
\*Specifications and design are subject to change without notice for further improvement.

\*Actual products' colors may be different from the colors shown in this printed material.

# AOYG22KATA

Please visit our webstore for full product and technical documentation 

Nominal Cooling Capacity	(kW)	6.0
Nominal Heating Capacity	(kW)	7.0
Height	(mm)	632
Width	(mm)	799
Depth	(mm)	290
Weight	(kg)	36
Airflow Rate - Cooling - High	(m <sup>3</sup> /h)	2240
Airflow Rate - Heating - High	(m <sup>3</sup> /h)	2240
Sound Pressure Level - Cooling - High	(dB(A))	52
Sound Pressure Level - Heating - High	(dB(A))	53
Sound Power Level - Cooling - High	(dB(A))	64
Sound Power Level - Heating - High	(dB(A))	65
Refrigerant Type (Global Warming Potential)		R32 (675)
Liquid Pipe Size		1/4"
Gas Pipe Size		1/2"
Min - Max Pipe Length	(m)	3 - 25
Max Height Difference	(m)	20
Refrigerant Charge (kg)	(kg)	1.1
Refrigerant CO <sub>2</sub> eq-T		0.743
Precharged For	(m)	15
Additional Charge (g/m)	(g/m)	20
Unit Power Supply		1Ph-230V-50Hz
Suggested Fuse Size	(A)	16
Cooling Mode Minimum Ambient	(°C)	-10
Cooling Mode Maximum Ambient	(°C)	46
Heating Mode Minimum Ambient	(°C)	-15
Heating Mode Maximum Ambient	(°C)	24



### Document Downloads

[Accessories](#)
[Airflow](#)
[Capacity Correction](#)
[Charging Details](#)
[Dimensional Drawing](#)
[Electrical Characteristics](#)
[Installation Manual](#)
[Installation Space](#)
[Noise Curve](#)
[Product Image](#)
[Refrigerant Circuit](#)
[Spare Parts List All Pages](#)
[Specifications](#)
[Wiring Diagram](#)

### Related Items

[AUXG22KVLA](#)

6.0kW Compact Cassette Indoor Unit - R32

[AUXG22KRLB](#)

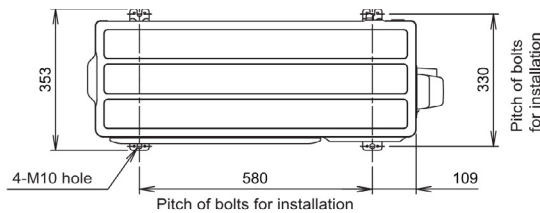
6.0kW Circular Flow Cassette Indoor Unit - R32

[ARXG22KMLA](#)

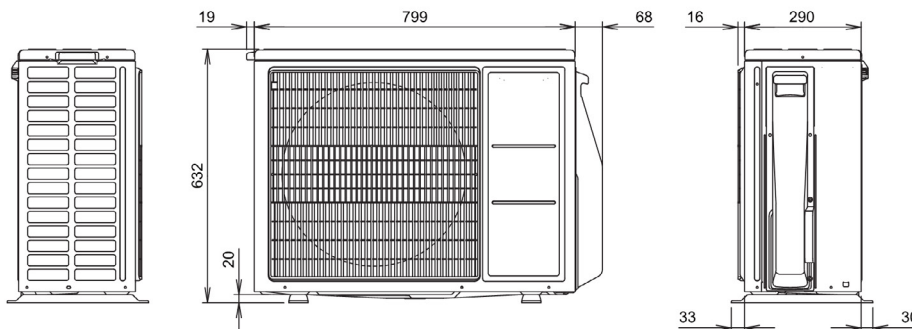
6.0kW Medium Static Ducted Indoor Unit - R32

[ABYG22KRTA](#)

6.0kW Ceiling Suspended Indoor Unit - R32



Top view



Side view

Front view

Side view

Units: mm

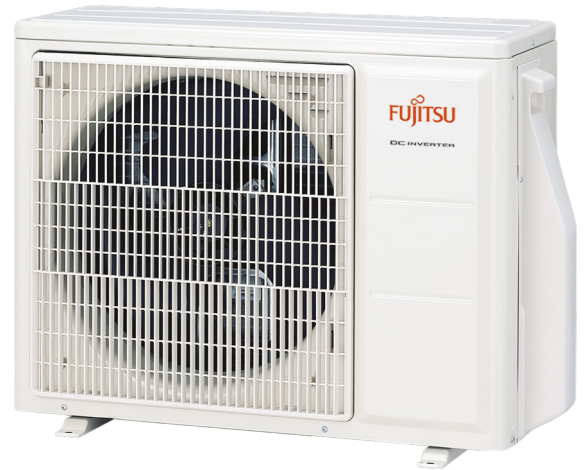
\*Specifications and design are subject to change without notice for further improvement.

\*Actual products' colors may be different from the colors shown in this printed material.

### AOYG24KATA

Please visit our webstore for full product and technical documentation 

Nominal Cooling Capacity	(kW)	6.8
Nominal Heating Capacity	(kW)	7.5
Height	(mm)	632
Width	(mm)	799
Depth	(mm)	290
Weight	(kg)	38
Airflow Rate - Cooling - High	(m3/h)	2885
Airflow Rate - Heating - High	(m3/h)	2350
Sound Pressure Level - Cooling - High	(dB(A))	54
Sound Pressure Level - Heating - High	(dB(A))	55
Sound Power Level - Cooling - High	(dB(A))	66
Sound Power Level - Heating - High	(dB(A))	67
Refrigerant Type (Global Warming Potential)		R32 (675)
Liquid Pipe Size		1/4"
Gas Pipe Size		1/2"
Min - Max Pipe Length	(m)	3 - 25
Max Height Difference	(m)	20
Refrigerant Charge (kg)	(kg)	1.25
Refrigerant CO2eq-T		0.844
Precharged For	(m)	20
Additional Charge (g/m)	(g/m)	20
Unit Power Supply		1Ph-230V-50Hz
Suggested Fuse Size	(A)	16
Cooling Mode Minimum Ambient	(°C)	-10
Cooling Mode Maximum Ambient	(°C)	46
Heating Mode Minimum Ambient	(°C)	-15
Heating Mode Maximum Ambient	(°C)	24



#### Document Downloads

[Accessories](#)
[Airflow](#)
[Capacity Correction](#)
[Charging Details](#)
[Dimensional Drawing](#)
[Electrical Characteristics](#)
[Installation Manual](#)
[Noise Curve](#)
[Product Image](#)
[Refrigerant Circuit](#)
[Spare Parts List All Pages](#)
[Specifications](#)
[Wiring Diagram](#)

#### Related Items

[AUXG24KVL](#)

6.8kW Compact Cassette Indoor Unit - R32

[AUXG24KRLB](#)

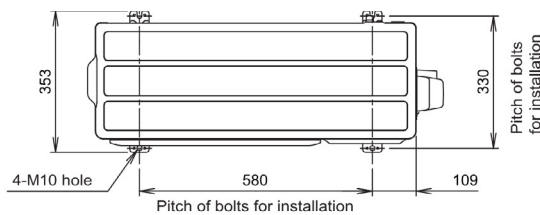
6.8kW Circular Flow Cassette Indoor Unit - R32

[ARXG24KMLA](#)

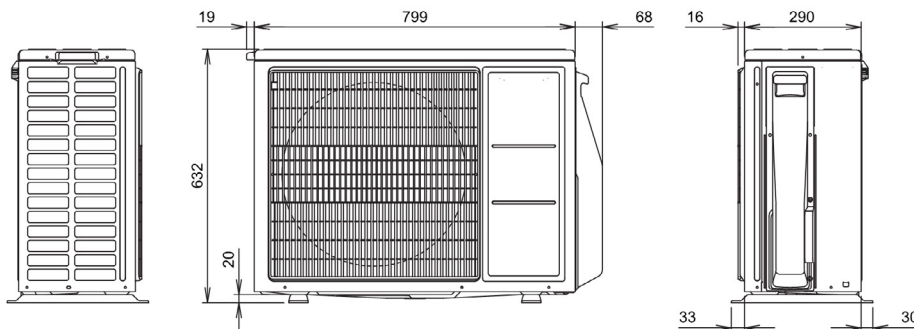
6.8kW Medium Static Ducted Indoor Unit - R32

[ABYG24KRTA](#)

6.8kW Ceiling Suspended Indoor Unit - R32



Top view



Side view

Front view

Side view

Units: mm

\*Specifications and design are subject to change without notice for further improvement.

\*Actual products' colors may be different from the colors shown in this printed material.

# AOYG30KATA

Please visit our [webstore](#) for full product and technical documentation 

Nominal Cooling Capacity	(kW)	8.5
Nominal Heating Capacity	(kW)	10.0
Height	(mm)	788
Width	(mm)	940
Depth	(mm)	320
Weight	(kg)	52
Airflow Rate - Cooling - High	(m <sup>3</sup> /h)	3750
Airflow Rate - Heating - High	(m <sup>3</sup> /h)	3750
Sound Pressure Level - Cooling - High	(dB(A))	53
Sound Pressure Level - Heating - High	(dB(A))	55
Sound Power Level - Cooling - High	(dB(A))	68
Sound Power Level - Heating - High	(dB(A))	69
Refrigerant Type (Global Warming Potential)		R32 (675)
Liquid Pipe Size		3/8"
Gas Pipe Size		5/8"
Min - Max Pipe Length	(m)	3 - 30
Max Height Difference	(m)	30
Refrigerant Charge (kg)	(kg)	1.9
Refrigerant CO <sub>2</sub> eq-T		1.283
Precharged For	(m)	30
Additional Charge (g/m)	(g/m)	20
Unit Power Supply		1Ph-230V-50Hz
Suggested Fuse Size	(A)	25
Cooling Mode Minimum Ambient	(°C)	-10
Cooling Mode Maximum Ambient	(°C)	46
Heating Mode Minimum Ambient	(°C)	-15
Heating Mode Maximum Ambient	(°C)	24



### Document Downloads

[Accessories](#)
[Airflow](#)
[Capacity Correction](#)
[Charging Details](#)
[Controls & Accessories](#)
[Dimensional Drawing](#)
[Electrical Characteristics](#)
[Inputs & Outputs](#)
[Installation Manual](#)
[Installation Space](#)
[Noise Curve](#)
[Product Image](#)
[Refrigerant Circuit](#)
[Spare Parts List All Pages](#)
[Specifications](#)
[Wiring Diagram](#)

### Related Items

[AUXG30KRLB](#)

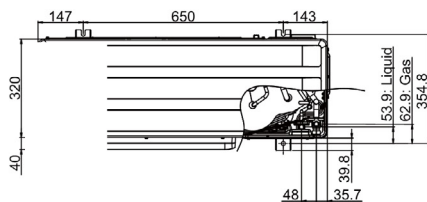
8.5kW Circular Flow Cassette Indoor Unit - R32

[ARXG30KMLA](#)

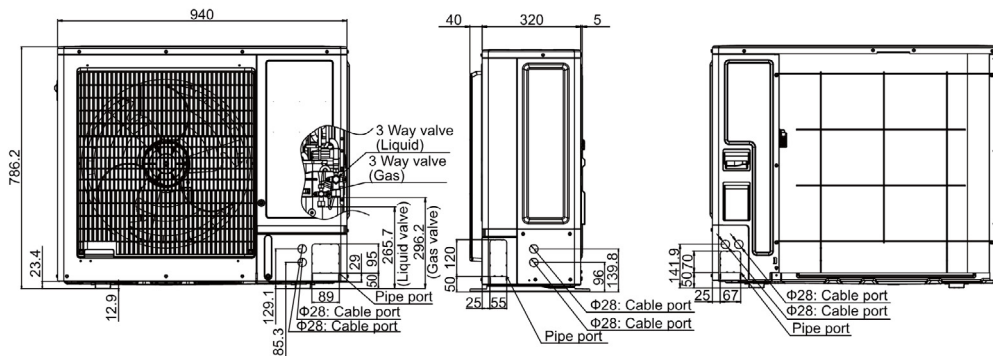
8.5kW Medium Static Ducted Indoor Unit - R32

[ABYG30KRTA](#)

8.5kW Ceiling Suspended Indoor Unit - R32



Top view



Front view

Side view

Rear view

Units: mm

\*Specifications and design are subject to change without notice for further improvement.

\*Actual products' colors may be different from the colors shown in this printed material.

# AOYG36KATA

Please visit our [webstore](#) for full product and technical documentation 

Nominal Cooling Capacity	(kW)	9.5
Nominal Heating Capacity	(kW)	10.8
Height	(mm)	788
Width	(mm)	940
Depth	(mm)	320
Weight	(kg)	52
Airflow Rate - Cooling - High	(m <sup>3</sup> /h)	3750
Airflow Rate - Heating - High	(m <sup>3</sup> /h)	3750
Sound Pressure Level - Cooling - High	(dB(A))	55
Sound Pressure Level - Heating - High	(dB(A))	55
Sound Power Level - Cooling - High	(dB(A))	70
Sound Power Level - Heating - High	(dB(A))	70
Refrigerant Type (Global Warming Potential)		R32 (675)
Liquid Pipe Size		3/8"
Gas Pipe Size		5/8"
Min - Max Pipe Length	(m)	3 - 30
Max Height Difference	(m)	30
Refrigerant Charge (kg)	(kg)	1.9
Refrigerant CO <sub>2</sub> eq-T		1.283
Precharged For	(m)	30
Additional Charge (g/m)	(g/m)	20
Unit Power Supply		1Ph-230V-50Hz
Suggested Fuse Size	(A)	25
Cooling Mode Minimum Ambient	(°C)	-10
Cooling Mode Maximum Ambient	(°C)	46
Heating Mode Minimum Ambient	(°C)	-15
Heating Mode Maximum Ambient	(°C)	24



### Document Downloads

[Accessories](#)
[Airflow](#)
[Capacity Correction](#)
[Controls & Accessories](#)
[Dimensional Drawing](#)
[Electrical Characteristics](#)
[Inputs & Outputs](#)
[Installation Manual](#)
[Installation Space](#)
[Noise Curve](#)
[Product Image](#)
[Refrigerant Circuit](#)
[Spare Parts List All Pages](#)
[Specifications](#)
[Wiring Diagram](#)

### Related Items

[AUXG36KRLB](#)

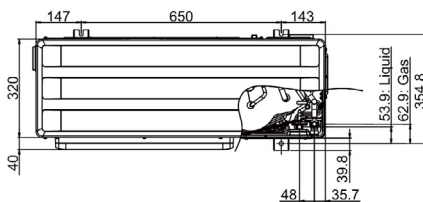
9.5kW Circular Flow Cassette Indoor Unit - R32

[ARXG36KMLA](#)

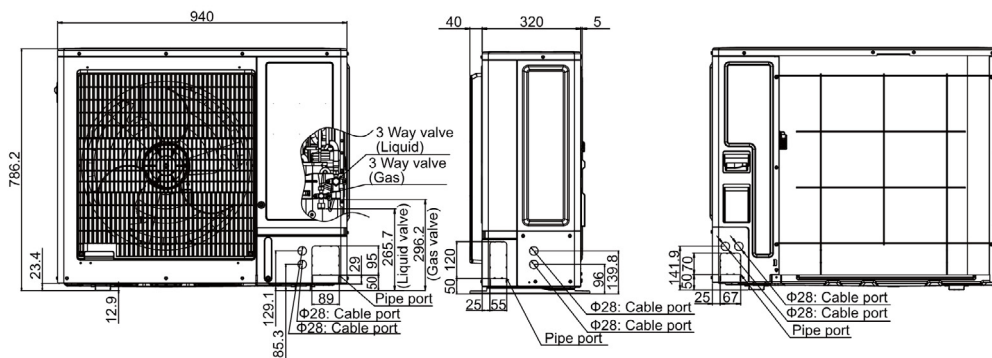
9.5kW Medium Static Ducted Indoor Unit - R32

[ABYG36KRTA](#)

9.5kW Ceiling Suspended Indoor Unit - R32



Top view



Front view

Side view

Rear view

Units: mm

\*Specifications and design are subject to change without notice for further improvement.

\*Actual products' colors may be different from the colors shown in this printed material.

# AOYG45KATA

Please visit our [webstore](#) for full product and technical documentation 

Nominal Cooling Capacity	(kW)	12.1
Nominal Heating Capacity	(kW)	13.5
Height	(mm)	998
Width	(mm)	940
Depth	(mm)	320
Weight	(kg)	61
Airflow Rate - Cooling - High	(m <sup>3</sup> /h)	4450
Airflow Rate - Heating - High	(m <sup>3</sup> /h)	4450
Sound Pressure Level - Cooling - High	(dB(A))	58
Sound Pressure Level - Heating - High	(dB(A))	59
Sound Power Level - Cooling - High	(dB(A))	72
Sound Power Level - Heating - High	(dB(A))	73
Refrigerant Type (Global Warming Potential)		R32 (675)
Liquid Pipe Size		3/8"
Gas Pipe Size		5/8"
Min - Max Pipe Length	(m)	3 - 30
Max Height Difference	(m)	30
Refrigerant Charge (kg)	(kg)	2.4
Refrigerant CO <sub>2</sub> eq-T		1.62
Precharged For	(m)	30
Additional Charge (g/m)	(g/m)	20
Unit Power Supply		1Ph-230V-50Hz
Suggested Fuse Size	(A)	32
Cooling Mode Minimum Ambient	(°C)	-10
Cooling Mode Maximum Ambient	(°C)	46
Heating Mode Minimum Ambient	(°C)	-15
Heating Mode Maximum Ambient	(°C)	24



### Document Downloads

[Accessories](#)
[Airflow](#)
[Capacity Correction](#)
[Charging Details](#)
[Controls & Accessories](#)
[Dimensional Drawing](#)
[Electrical Characteristics](#)
[Inputs & Outputs](#)
[Installation Manual](#)
[Installation Space](#)
[Noise Curve](#)
[Product Image](#)
[Refrigerant Circuit](#)
[Spare Parts List All Pages](#)
[Specifications](#)
[Wiring Diagram](#)

### Related Items

[AUXG45KRLB](#)

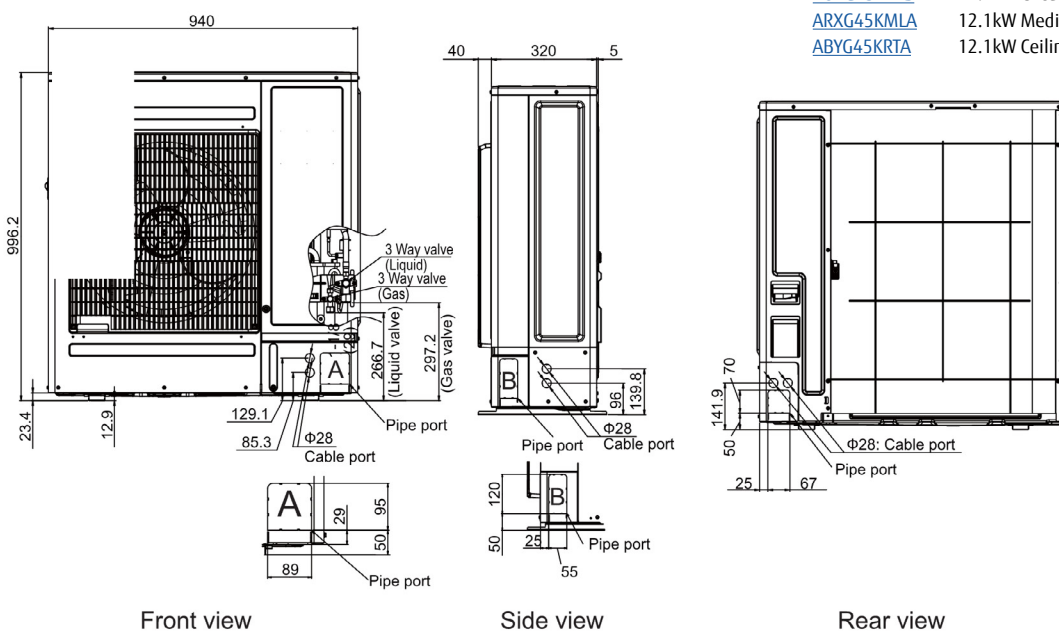
12.1kW Circular Flow Cassette Indoor Unit - R32

[ARXG45KMLA](#)

12.1kW Medium Static Ducted Indoor Unit - R32

[ABYG45KRTA](#)

12.1kW Ceiling Suspended Indoor Unit - R32



Units: mm

\*Specifications and design are subject to change without notice for further improvement.  
 •Actual products' colors may be different from the colors shown in this printed material.



### AOYG54KATA

Please visit our webstore for full product and technical documentation 

Nominal Cooling Capacity	(kW)	13.4
Nominal Heating Capacity	(kW)	15.5
Height	(mm)	998
Width	(mm)	940
Depth	(mm)	320
Weight	(kg)	63
Airflow Rate - Cooling - High	(m <sup>3</sup> /h)	4450
Airflow Rate - Heating - High	(m <sup>3</sup> /h)	4780
Sound Pressure Level - Cooling - High	(dB(A))	58
Sound Pressure Level - Heating - High	(dB(A))	61
Sound Power Level - Cooling - High	(dB(A))	74
Sound Power Level - Heating - High	(dB(A))	75
Refrigerant Type (Global Warming Potential)		R32 (675)
Liquid Pipe Size		3/8"
Gas Pipe Size		5/8"
Min - Max Pipe Length	(m)	3 - 30
Max Height Difference	(m)	30
Refrigerant Charge (kg)	(kg)	2.4
Refrigerant CO <sub>2</sub> eq-T		1.62
Precharged For	(m)	30
Additional Charge (g/m)	(g/m)	20
Unit Power Supply		1Ph-230V-50Hz
Suggested Fuse Size	(A)	32
Cooling Mode Minimum Ambient	(°C)	-10
Cooling Mode Maximum Ambient	(°C)	46
Heating Mode Minimum Ambient	(°C)	-15
Heating Mode Maximum Ambient	(°C)	24



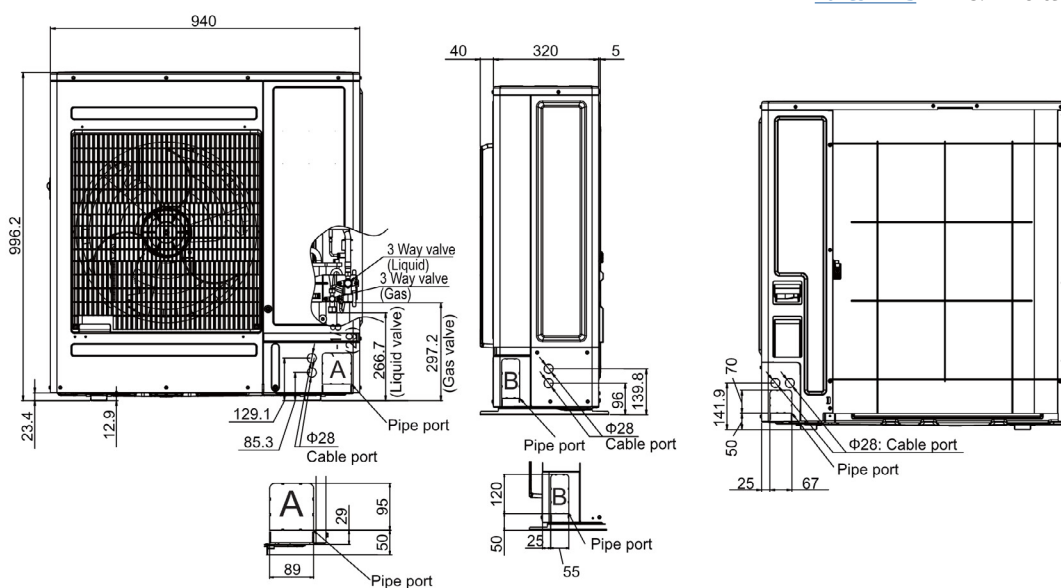
#### Document Downloads

[Accessories](#)
[Airflow](#)
[Capacity Correction](#)
[Charging Details](#)
[Dimensional Drawing](#)
[Inputs & Outputs](#)
[Installation Manual](#)
[Installation Space](#)
[Noise Curve](#)
[Product Image](#)
[Refrigerant Circuit](#)
[Spare Parts List All Pages](#)
[Specifications](#)
[Wiring Diagram](#)

#### Related Items

[AUXG54KRLB](#)

13.4kW Circular Flow Cassette Indoor Unit - R32



Front view

Side view

Rear view

Units: mm

\*Specifications and design are subject to change without notice for further improvement.  
 •Actual products' colors may be different from the colors shown in this printed material.

# AOYG36KQTA

Please visit our [webstore](#) for full product and technical documentation 

Nominal Cooling Capacity	(kW)	9.5
Nominal Heating Capacity	(kW)	10.8
Height	(mm)	788
Width	(mm)	940
Depth	(mm)	320
Weight	(kg)	53
Airflow Rate - Cooling - High	(m <sup>3</sup> /h)	3750
Airflow Rate - Heating - High	(m <sup>3</sup> /h)	3750
Sound Pressure Level - Cooling - High	(dB(A))	55
Sound Pressure Level - Heating - High	(dB(A))	55
Sound Power Level - Cooling - High	(dB(A))	70
Sound Power Level - Heating - High	(dB(A))	70
Refrigerant Type (Global Warming Potential)		R32 (675)
Liquid Pipe Size		3/8"
Gas Pipe Size		5/8"
Min - Max Pipe Length	(m)	3 - 30
Max Height Difference	(m)	30
Refrigerant Charge (kg)	(kg)	1.9
Refrigerant CO <sub>2</sub> eq-T		1.283
Precharged For	(m)	30
Additional Charge (g/m)	(g/m)	20
Unit Power Supply		3Ph-400V-50Hz
Suggested Fuse Size	(A)	16
Cooling Mode Minimum Ambient	(°C)	-10
Cooling Mode Maximum Ambient	(°C)	46
Heating Mode Minimum Ambient	(°C)	-15
Heating Mode Maximum Ambient	(°C)	24



### Document Downloads

[Accessories](#)
[Airflow](#)
[Capacity Correction](#)
[Charging Details](#)
[Controls & Accessories](#)
[Dimensional Drawing](#)
[Electrical Characteristics](#)
[Function Settings](#)
[Inputs & Outputs](#)
[Installation Manual](#)
[Installation Space](#)
[Noise Curve](#)
[Product Image](#)
[Refrigerant Circuit](#)
[Spare Parts List All Pages](#)
[Specifications](#)
[Wiring Diagram](#)

### Related Items

[AUXG36KRLB](#)

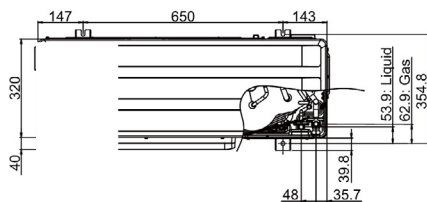
9.5kW Circular Flow Cassette Indoor Unit - R32

[ARXG36KMLA](#)

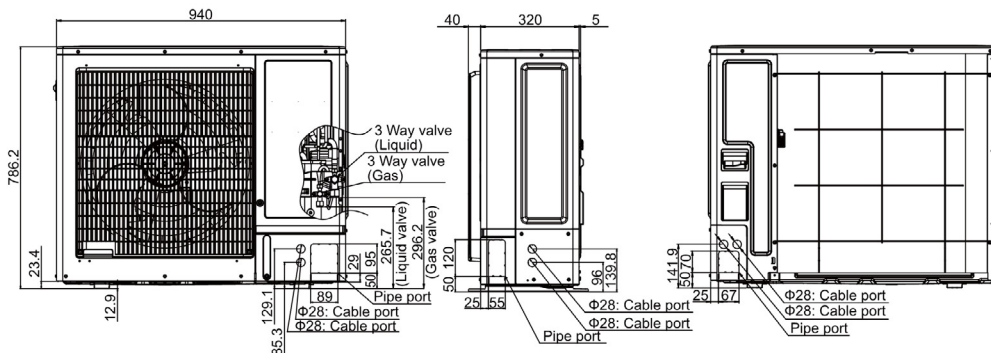
9.5kW Medium Static Ducted Indoor Unit - R32

[ABYG36KRTA](#)

9.5kW Ceiling Suspended Indoor Unit - R32



Top view



Front view

Side view

Rear view

Units: mm

\*Specifications and design are subject to change without notice for further improvement.

\*Actual products' colors may be different from the colors shown in this printed material.

# AOYG45KQTA

Please visit our [webstore](#) for full product and technical documentation 

Nominal Cooling Capacity	(kW)	12.1
Nominal Heating Capacity	(kW)	13.5
Height	(mm)	998
Width	(mm)	940
Depth	(mm)	320
Weight	(kg)	62
Airflow Rate - Cooling - High	(m3/h)	4450
Airflow Rate - Heating - High	(m3/h)	4450
Sound Pressure Level - Cooling - High	(dB(A))	58
Sound Pressure Level - Heating - High	(dB(A))	59
Sound Power Level - Cooling - High	(dB(A))	72
Sound Power Level - Heating - High	(dB(A))	73
Refrigerant Type (Global Warming Potential)		R32 (675)
Liquid Pipe Size		3/8"
Gas Pipe Size		5/8"
Min - Max Pipe Length	(m)	3 - 30
Max Height Difference	(m)	30
Refrigerant Charge (kg)	(kg)	2.4
Refrigerant CO2eq-T		1.62
Precharged For	(m)	30
Additional Charge (g/m)	(g/m)	20
Unit Power Supply		3Ph-400V-50Hz
Suggested Fuse Size	(A)	16
Cooling Mode Minimum Ambient	(°C)	-10
Cooling Mode Maximum Ambient	(°C)	46
Heating Mode Minimum Ambient	(°C)	-15
Heating Mode Maximum Ambient	(°C)	24



### Document Downloads

[Accessories](#)
[Airflow](#)
[Capacity Correction](#)
[Charging Details](#)
[Controls & Accessories](#)
[Dimensional Drawing](#)
[Electrical Characteristics](#)
[Function Settings](#)
[Inputs & Outputs](#)
[Installation Manual](#)
[Installation Space](#)
[Noise Curve](#)
[Product Image](#)
[Refrigerant Circuit](#)
[Spare Parts List All Pages](#)
[Specifications](#)
[Wiring Diagram](#)

### Related Items

[AUXG45KRLB](#)

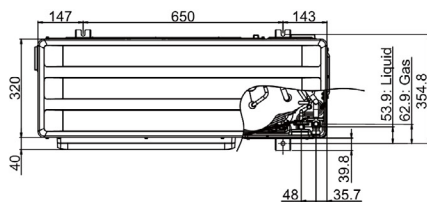
12.1kW Circular Flow Cassette Indoor Unit - R32

[ARXG45KMLA](#)

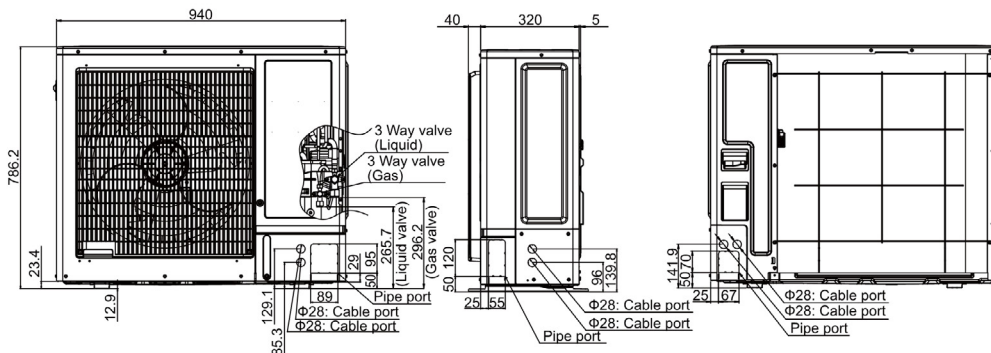
12.1kW Medium Static Ducted Indoor Unit - R32

[ABYG45KRTA](#)

12.1kW Ceiling Suspended Indoor Unit - R32



Top view



Front view

Side view

Rear view

Units: mm

\*Specifications and design are subject to change without notice for further improvement.

\*Actual products' colors may be different from the colors shown in this printed material.

# AOYG54KQTA

Please visit our [webstore](#) for full product and technical documentation 

Nominal Cooling Capacity	(kW)	13.4
Nominal Heating Capacity	(kW)	15.5
Height	(mm)	998
Width	(mm)	940
Depth	(mm)	320
Weight	(kg)	63
Airflow Rate - Cooling - High	(m <sup>3</sup> /h)	4450
Airflow Rate - Heating - High	(m <sup>3</sup> /h)	4780
Sound Pressure Level - Cooling - High	(dB(A))	61
Sound Pressure Level - Heating - High	(dB(A))	61
Sound Power Level - Cooling - High	(dB(A))	74
Sound Power Level - Heating - High	(dB(A))	75
Refrigerant Type (Global Warming Potential)		R32 (675)
Liquid Pipe Size		3/8"
Gas Pipe Size		5/8"
Min - Max Pipe Length	(m)	30
Max Height Difference	(m)	30
Refrigerant Charge (kg)	(kg)	2.4
Refrigerant CO <sub>2</sub> eq-T		1.62
Precharged For	(m)	30
Additional Charge (g/m)	(g/m)	20
Unit Power Supply		3Ph-400V-50Hz
Suggested Fuse Size	(A)	16
Cooling Mode Minimum Ambient	(°C)	-10
Cooling Mode Maximum Ambient	(°C)	46
Heating Mode Minimum Ambient	(°C)	-15
Heating Mode Maximum Ambient	(°C)	24



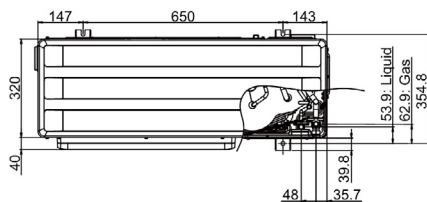
### Document Downloads

[Accessories](#)
[Airflow](#)
[Capacity Correction](#)
[Charging Details](#)
[Controls & Accessories](#)
[Dimensional Drawing](#)
[Electrical Characteristics](#)
[Function Settings](#)
[Inputs & Outputs](#)
[Installation Manual](#)
[Installation Space](#)
[Noise Curve](#)
[Product Image](#)
[Refrigerant Circuit](#)
[Spare Parts List All Pages](#)
[Specifications](#)
[Wiring Diagram](#)

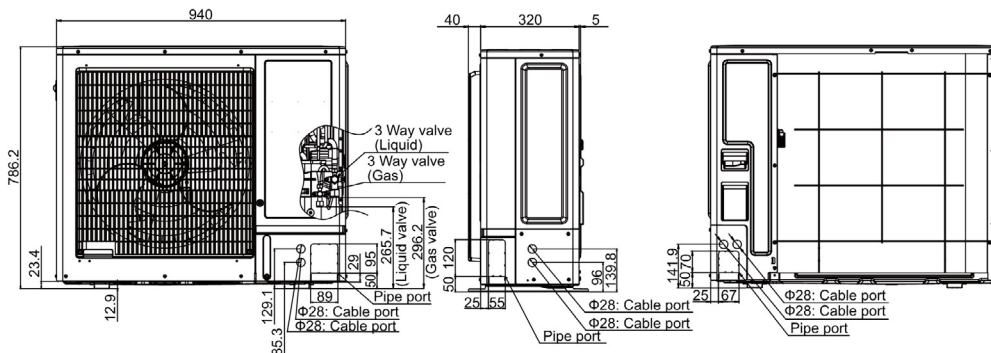
### Related Items

[AUXG54KRLB](#)

13.4kW Circular Flow Cassette Indoor Unit - R32



Top view



Front view

Side view

Rear view

Units: mm

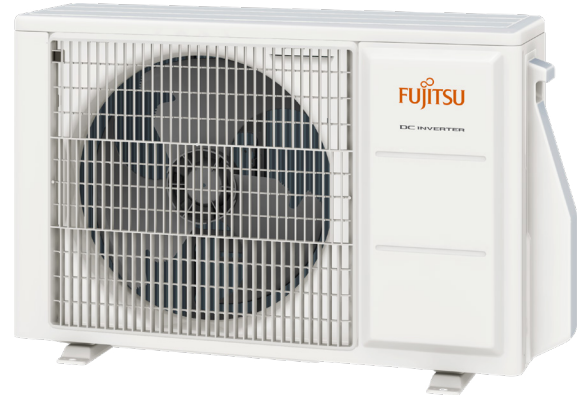
\*Specifications and design are subject to change without notice for further improvement.

\*Actual products' colors may be different from the colors shown in this printed material.

# AOYG09KBTB

Please visit our webstore for full product and technical documentation 

Nominal Cooling Capacity	(kW)	2.5
Nominal Heating Capacity	(kW)	3.2
Height	(mm)	542
Width	(mm)	799
Depth	(mm)	290
Weight	(kg)	32
Airflow Rate - Cooling - High	(m3/h)	1480
Airflow Rate - Heating - High	(m3/h)	1410
Sound Pressure Level - Cooling - High	(dB(A))	46
Sound Pressure Level - Heating - High	(dB(A))	46
Sound Power Level - Cooling - High	(dB(A))	59
Sound Power Level - Heating - High	(dB(A))	59
Refrigerant Type (Global Warming Potential)		R32 (675)
Liquid Pipe Size		1/4"
Gas Pipe Size		3/8"
Min - Max Pipe Length	(m)	3 - 20
Max Height Difference	(m)	15
Refrigerant Charge (kg)	(kg)	0.85
Refrigerant CO2eq-T		0.574
Precharged For	(m)	15
Additional Charge (g/m)	(g/m)	20
Unit Power Supply		1Ph-230V-50Hz
Suggested Fuse Size	(A)	10
Cooling Mode Minimum Ambient	(°C)	-15
Cooling Mode Maximum Ambient	(°C)	46
Heating Mode Minimum Ambient	(°C)	-15
Heating Mode Maximum Ambient	(°C)	24



### Document Downloads

[Accessories](#)
[Airflow](#)
[Capacity Correction](#)
[Charging Details](#)
[Controls & Accessories](#)
[Dimensional Drawing](#)
[Electrical Characteristics](#)
[Installation Manual](#)
[Installation Space](#)
[Noise Curve](#)
[Product Image](#)
[Refrigerant Circuit](#)
[Spare Parts List All Pages](#)
[Specifications](#)
[Wiring Diagram](#)

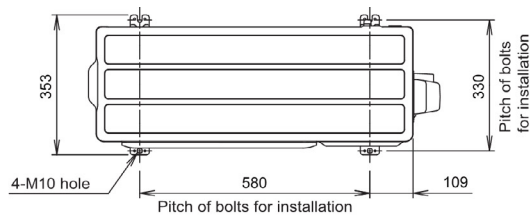
### Related Items

[AUXG09KVLA](#)

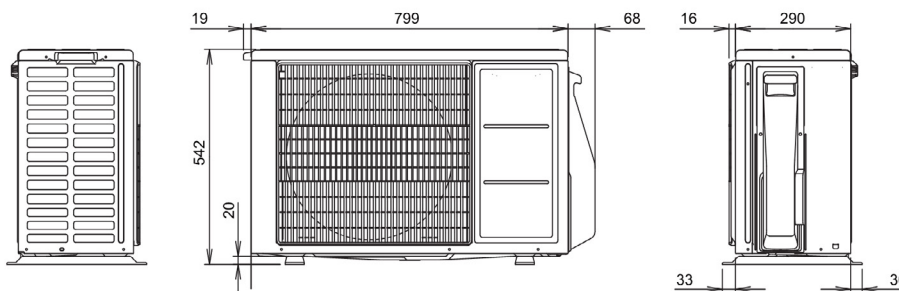
2.5kW Compact Cassette Indoor Unit - R32

[ARXG09KLLAP](#)

2.5kW Slim Ducted Indoor Unit - R32



Top view



Side view

Front view

Side view

Units: mm

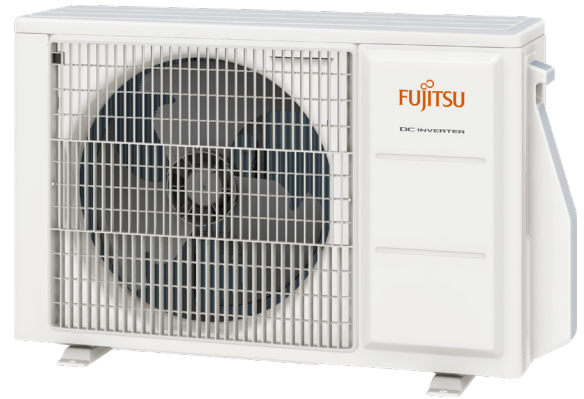
\*Specifications and design are subject to change without notice for further improvement.

\*Actual products' colors may be different from the colors shown in this printed material.

### AOYG12KBTB

Please visit our webstore for full product and technical documentation 

Nominal Cooling Capacity	(kW)	3.5
Nominal Heating Capacity	(kW)	4.1
Height	(mm)	542
Width	(mm)	799
Depth	(mm)	290
Weight	(kg)	33
Airflow Rate - Cooling - High	(m <sup>3</sup> /h)	1580
Airflow Rate - Heating - High	(m <sup>3</sup> /h)	1520
Sound Pressure Level - Cooling - High	(dB(A))	47
Sound Pressure Level - Heating - High	(dB(A))	47
Sound Power Level - Cooling - High	(dB(A))	61
Sound Power Level - Heating - High	(dB(A))	61
Refrigerant Type (Global Warming Potential)		R32 (675)
Liquid Pipe Size		1/4"
Gas Pipe Size		3/8"
Min - Max Pipe Length	(m)	3 - 25
Max Height Difference	(m)	20
Refrigerant Charge (kg)	(kg)	0.85
Refrigerant CO <sub>2</sub> eq-T		0.574
Precharged For	(m)	15
Additional Charge (g/m)	(g/m)	20
Unit Power Supply		1Ph-230V-50Hz
Suggested Fuse Size	(A)	10
Cooling Mode Minimum Ambient	(°C)	-15
Cooling Mode Maximum Ambient	(°C)	46
Heating Mode Minimum Ambient	(°C)	-15
Heating Mode Maximum Ambient	(°C)	24



#### Document Downloads

[Accessories](#)
[Airflow](#)
[Capacity Correction](#)
[Charging Details](#)
[Controls & Accessories](#)
[Dimensional Drawing](#)
[Electrical Characteristics](#)
[Installation Manual](#)
[Installation Space](#)
[Noise Curve](#)
[Product Image](#)
[Refrigerant Circuit](#)
[Spare Parts List All Pages](#)
[Specifications](#)
[Wiring Diagram](#)

#### Related Items

[AUXG12KVLA](#)

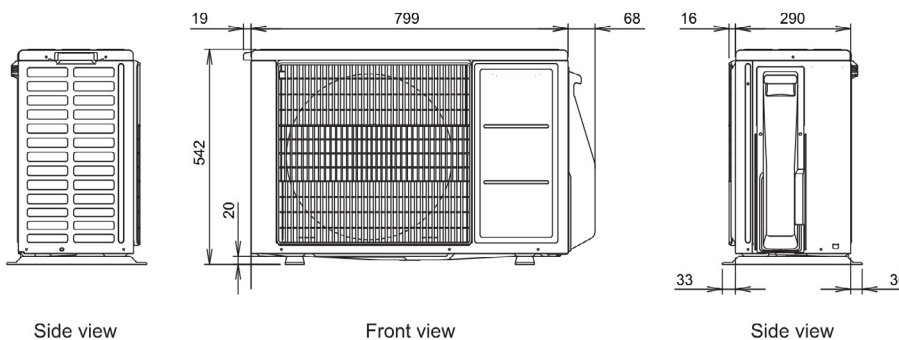
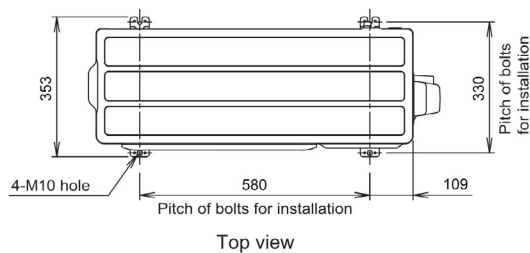
3.5kW Compact Cassette Indoor Unit - R32

[ARXG12KLLAP](#)

3.5kW Slim Ducted Indoor Unit - R32

[ARXG12KHTAP](#)

3.5kW Medium - Hi Static Ducted Indoor Unit - R32



Units: mm

\*Specifications and design are subject to change without notice for further improvement.

\*Actual products' colors may be different from the colors shown in this printed material.

### AOYG14KBTB

Please visit our webstore for full product and technical documentation 

Nominal Cooling Capacity	(kW)	4.3
Nominal Heating Capacity	(kW)	5.0
Height	(mm)	542
Width	(mm)	799
Depth	(mm)	290
Weight	(kg)	33
Airflow Rate - Cooling - High	(m3/h)	1670
Airflow Rate - Heating - High	(m3/h)	1580
Sound Pressure Level - Cooling - High	(dB(A))	49
Sound Pressure Level - Heating - High	(dB(A))	49
Sound Power Level - Cooling - High	(dB(A))	62
Sound Power Level - Heating - High	(dB(A))	62
Refrigerant Type (Global Warming Potential)		R32 (675)
Liquid Pipe Size		1/4"
Gas Pipe Size		3/8"
Min - Max Pipe Length	(m)	3 - 25
Max Height Difference	(m)	20
Refrigerant Charge (kg)	(kg)	0.85
Refrigerant CO2eq-T		0.574
Precharged For	(m)	15
Additional Charge (g/m)	(g/m)	20
Unit Power Supply		1Ph-230V-50Hz
Suggested Fuse Size	(A)	16
Cooling Mode Minimum Ambient	(°C)	-15
Cooling Mode Maximum Ambient	(°C)	46
Heating Mode Minimum Ambient	(°C)	-15
Heating Mode Maximum Ambient	(°C)	24



#### Document Downloads

[Accessories](#)
[Airflow](#)
[Capacity Correction](#)
[Charging Details](#)
[Controls & Accessories](#)
[Dimensional Drawing](#)
[Electrical Characteristics](#)
[Installation Manual](#)
[Installation Space](#)
[Noise Curve](#)
[Product Image](#)
[Refrigerant Circuit](#)
[Spare Parts List All Pages](#)
[Specifications](#)
[Wiring Diagram](#)

#### Related Items

[AUXG14KVLA](#)

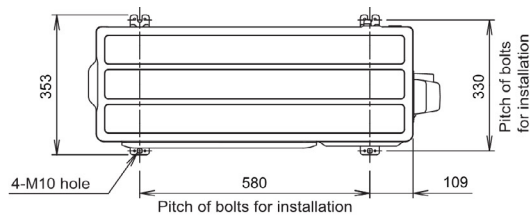
4.3kW Compact Cassette Indoor Unit - R32

[ARXG14KLLAP](#)

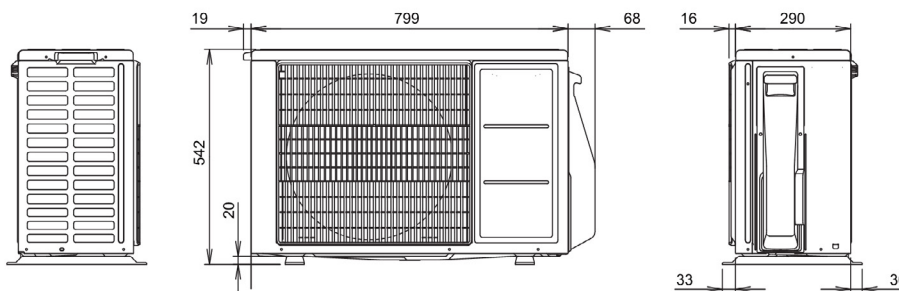
4.3kW Slim Ducted Indoor Unit - R32

[ARXG14KHTAP](#)

4.3kW Medium - Hi Static Ducted Indoor Unit - R32



Top view



Side view

Front view

Side view

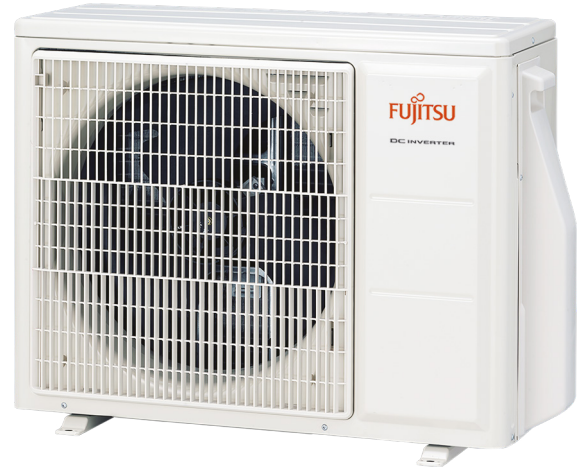
Units: mm

\*Specifications and design are subject to change without notice for further improvement.  
 •Actual products' colors may be different from the colors shown in this printed material.

### AOYG18KBTB

Please visit our [webstore](#) for full product and technical documentation 

Nominal Cooling Capacity	(kW)	5.2
Nominal Heating Capacity	(kW)	6.0
Height	(mm)	632
Width	(mm)	799
Depth	(mm)	290
Weight	(kg)	36
Airflow Rate - Cooling - High	(m <sup>3</sup> /h)	2160
Airflow Rate - Heating - High	(m <sup>3</sup> /h)	1830
Sound Pressure Level - Cooling - High	(dB(A))	50
Sound Pressure Level - Heating - High	(dB(A))	50
Sound Power Level - Cooling - High	(dB(A))	62
Sound Power Level - Heating - High	(dB(A))	62
Refrigerant Type (Global Warming Potential)		R32 (675)
Liquid Pipe Size		1/4"
Gas Pipe Size		1/2"
Min - Max Pipe Length	(m)	3 - 30
Max Height Difference	(m)	20
Refrigerant Charge (kg)	(kg)	1.02
Refrigerant CO <sub>2</sub> eq-T		0.689
Precharged For	(m)	20
Additional Charge (g/m)	(g/m)	20
Unit Power Supply		1Ph-230V-50Hz
Suggested Fuse Size	(A)	16
Cooling Mode Minimum Ambient	(°C)	-15
Cooling Mode Maximum Ambient	(°C)	46
Heating Mode Minimum Ambient	(°C)	-15
Heating Mode Maximum Ambient	(°C)	24



#### Document Downloads

[Accessories](#)
[Airflow](#)
[Capacity Correction](#)
[Charging Details](#)
[Controls & Accessories](#)
[Dimensional Drawing](#)
[Electrical Characteristics](#)
[Installation Manual](#)
[Installation Space](#)
[Noise Curve](#)
[Product Image](#)
[Refrigerant Circuit](#)
[Spare Parts List All Pages](#)
[Specifications](#)
[Wiring Diagram](#)

#### Related Items

[AUXG18KVLA](#)

5.2kW Compact Cassette Indoor Unit - R32

[AUXG18KRLB](#)

5.2kW Circular Flow Cassette Indoor Unit - R32

[ARXG18KLLAP](#)

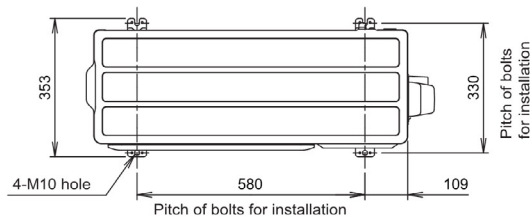
5.2kW Slim Ducted Indoor Unit - R32

[ARXG18KHTAP](#)

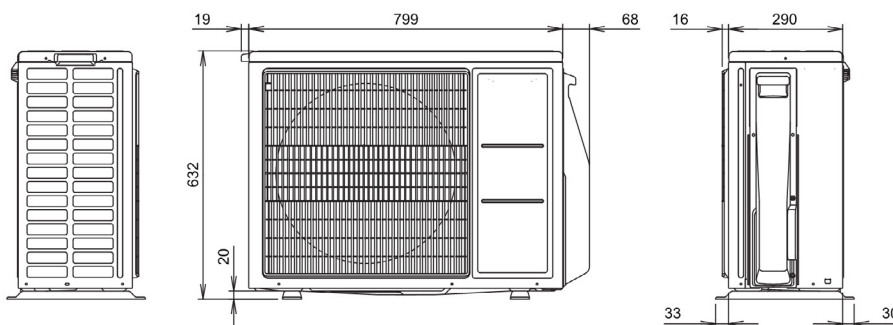
5.2kW Medium - Hi Static Ducted Indoor Unit - R32

[ABYG18KRTA](#)

5.2kW Ceiling Suspended Indoor Unit - R32



Top view



Side view

Front view

Side view

Units: mm

\*Specifications and design are subject to change without notice for further improvement.

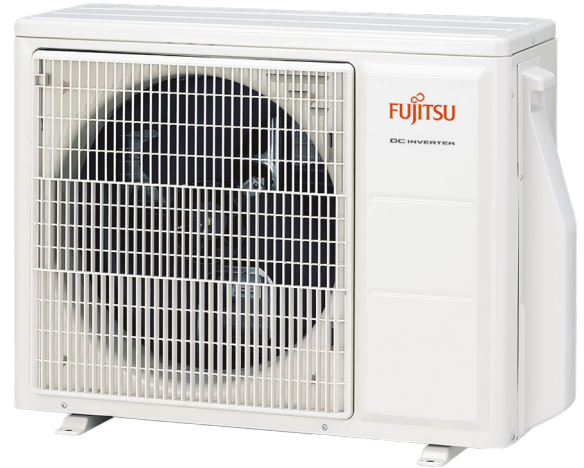
\*Actual products' colors may be different from the colors shown in this printed material.



## AOYG22KBTB

Please visit our webstore for full product and technical documentation 

Nominal Cooling Capacity	(kW)	6.0
Nominal Heating Capacity	(kW)	7.0
Height	(mm)	632
Width	(mm)	799
Depth	(mm)	290
Weight	(kg)	38
Airflow Rate - Cooling - High	(m <sup>3</sup> /h)	2240
Airflow Rate - Heating - High	(m <sup>3</sup> /h)	1960
Sound Pressure Level - Cooling - High	(dB(A))	51
Sound Pressure Level - Heating - High	(dB(A))	51
Sound Power Level - Cooling - High	(dB(A))	63
Sound Power Level - Heating - High	(dB(A))	63
Refrigerant Type (Global Warming Potential)		R32 (675)
Liquid Pipe Size		1/4"
Gas Pipe Size		1/2"
Min - Max Pipe Length	(m)	3 - 30
Max Height Difference	(m)	25
Refrigerant Charge (kg)	(kg)	1.25
Refrigerant CO <sub>2</sub> eq-T		0.844
Precharged For	(m)	20
Additional Charge (g/m)	(g/m)	20
Unit Power Supply		1Ph-230V-50Hz
Suggested Fuse Size	(A)	16
Cooling Mode Minimum Ambient	(°C)	-15
Cooling Mode Maximum Ambient	(°C)	46
Heating Mode Minimum Ambient	(°C)	-15
Heating Mode Maximum Ambient	(°C)	24



### Document Downloads

[Accessories](#)
[Airflow](#)
[Capacity Correction](#)
[Dimensional Drawing](#)
[Installation Manual](#)
[Installation Space](#)
[Noise Curve](#)
[Product Image](#)
[Refrigerant Circuit](#)
[Spare Parts List All Pages](#)
[Specifications](#)
[Wiring Diagram](#)

### Related Items

[AUXG22KVLA](#)

6.0kW Compact Cassette Indoor Unit - R32

[AUXG22KRLB](#)

6.0kW Circular Flow Cassette Indoor Unit - R32

[ARXG22KHTAP](#)

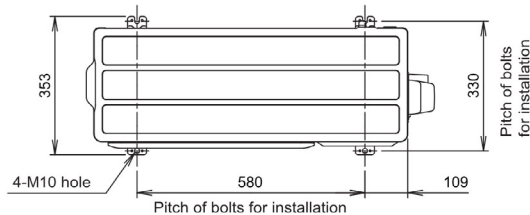
6.0kW Medium - Hi Static Ducted Indoor Unit - R32

[ARXG22KMLA](#)

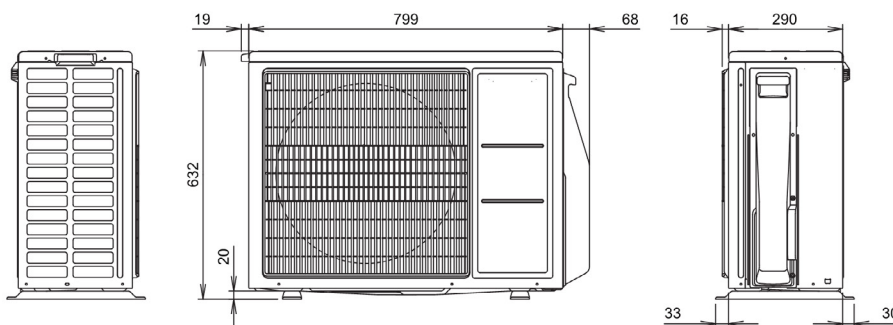
6.0kW Medium Static Ducted Indoor Unit - R32

[ABYG22KRTA](#)

6.0kW Ceiling Suspended Indoor Unit - R32



Top view



Side view

Front view

Side view

Units: mm

\*Specifications and design are subject to change without notice for further improvement.

\*Actual products' colors may be different from the colors shown in this printed material.

### AOYG24KBTB

Please visit our [webstore](#) for full product and technical documentation 

Nominal Cooling Capacity	(kW)	6.8
Nominal Heating Capacity	(kW)	7.5
Height	(mm)	716
Width	(mm)	820
Depth	(mm)	315
Weight	(kg)	42
Airflow Rate - Cooling - High	(m <sup>3</sup> /h)	2700
Airflow Rate - Heating - High	(m <sup>3</sup> /h)	2700
Sound Pressure Level - Cooling - High	(dB(A))	53
Sound Pressure Level - Heating - High	(dB(A))	54
Sound Power Level - Cooling - High	(dB(A))	65
Sound Power Level - Heating - High	(dB(A))	66
Refrigerant Type (Global Warming Potential)		R32 (675)
Liquid Pipe Size		1/4"
Gas Pipe Size		1/2"
Min - Max Pipe Length	(m)	3 - 30
Max Height Difference	(m)	25
Refrigerant Charge (kg)	(kg)	1.25
Refrigerant CO <sub>2</sub> eq-T		0.844
Precharged For	(m)	20
Additional Charge (g/m)	(g/m)	20
Unit Power Supply		1Ph-230V-50Hz
Suggested Fuse Size	(A)	16
Cooling Mode Minimum Ambient	(°C)	-15
Cooling Mode Maximum Ambient	(°C)	46
Heating Mode Minimum Ambient	(°C)	-15
Heating Mode Maximum Ambient	(°C)	24



#### Document Downloads

[Accessories](#)
[Airflow](#)
[Capacity Correction](#)
[Charging Details](#)
[Controls & Accessories](#)
[Dimensional Drawing](#)
[Electrical Characteristics](#)
[Function Settings](#)
[Inputs & Outputs](#)
[Installation Manual](#)
[Installation Space](#)
[Noise Curve](#)
[Product Image](#)
[Refrigerant Circuit](#)
[Spare Parts List All Pages](#)
[Specifications](#)
[Wiring Diagram](#)

#### Related Items

[AUXG24KVLA](#)

6.8kW Compact Cassette Indoor Unit - R32

[AUXG24KRLB](#)

6.8kW Circular Flow Cassette Indoor Unit - R32

[ARXG24KHTAP](#)

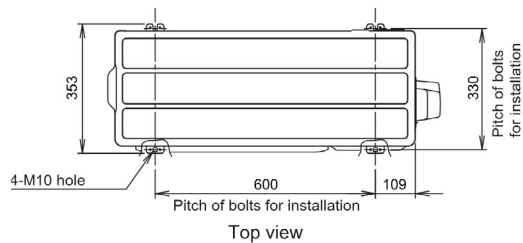
6.8kW Medium - Hi Static Ducted Indoor Unit - R32

[ARXG24KMLA](#)

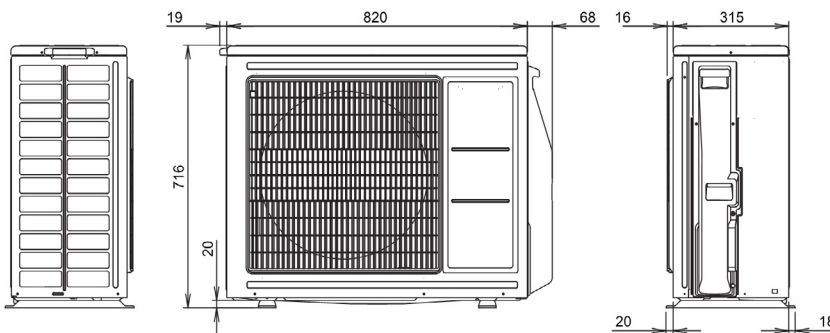
6.8kW Medium Static Ducted Indoor Unit - R32

[ABYG24KRTA](#)

6.8kW Ceiling Suspended Indoor Unit - R32



Top view



Side view

Front view

Side view

Units: mm

\*Specifications and design are subject to change without notice for further improvement.

\*Actual products' colors may be different from the colors shown in this printed material.

# AOYG30KBTB

Please visit our [webstore](#) for full product and technical documentation 

Nominal Cooling Capacity	(kW)	8.5
Nominal Heating Capacity	(kW)	10.0
Height	(mm)	788
Width	(mm)	940
Depth	(mm)	320
Weight	(kg)	52
Airflow Rate - Cooling - High	(m3/h)	3750
Airflow Rate - Heating - High	(m3/h)	3750
Sound Pressure Level - Cooling - High	(dB(A))	53
Sound Pressure Level - Heating - High	(dB(A))	55
Sound Power Level - Cooling - High	(dB(A))	68
Sound Power Level - Heating - High	(dB(A))	69
Refrigerant Type (Global Warming Potential)		R32 (675)
Liquid Pipe Size		3/8"
Gas Pipe Size		5/8"
Min - Max Pipe Length	(m)	3 - 50
Max Height Difference	(m)	30
Refrigerant Charge (kg)	(kg)	1.9
Refrigerant CO2eq-T		1.283
Precharged For	(m)	30
Additional Charge (g/m)	(g/m)	40
Unit Power Supply		1Ph-230V-50Hz
Suggested Fuse Size	(A)	25
Cooling Mode Minimum Ambient	(°C)	-15
Cooling Mode Maximum Ambient	(°C)	46
Heating Mode Minimum Ambient	(°C)	-15
Heating Mode Maximum Ambient	(°C)	24



### Document Downloads

[Accessories](#)
[Airflow](#)
[Capacity Correction](#)
[Charging Details](#)
[Controls & Accessories](#)
[Dimensional Drawing](#)
[Electrical Characteristics](#)
[Function Settings](#)
[Inputs & Outputs](#)
[Installation Manual](#)
[Installation Space](#)
[Noise Curve](#)
[Product Image](#)
[Refrigerant Circuit](#)
[Spare Parts List All Pages](#)
[Specifications](#)
[Wiring Diagram](#)

### Related Items

[AUXG30KRLB](#)

8.5kW Circular Flow Cassette Indoor Unit - R32

[ARXG30KHTAP](#)

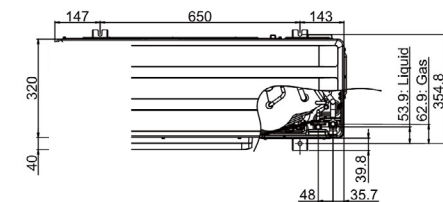
8.5kW Medium - Hi Static Ducted Indoor Unit - R32

[ARXG30KMLA](#)

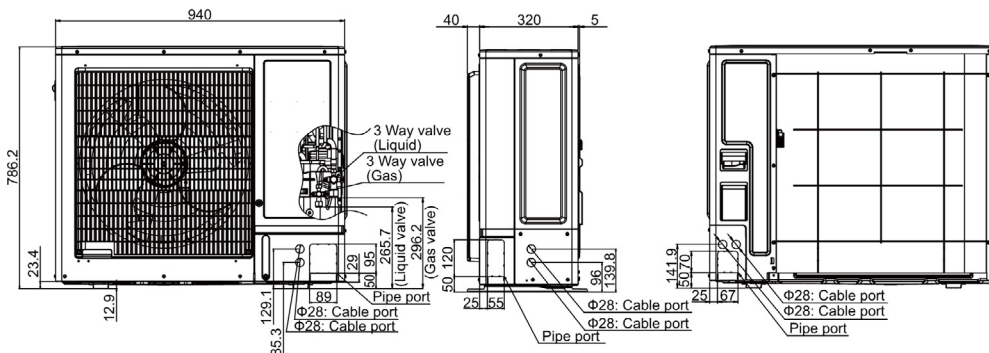
8.5kW Medium Static Ducted Indoor Unit - R32

[ABYG30KRTA](#)

8.5kW Ceiling Suspended Indoor Unit - R32



Top view



Front view

Side view

Rear view

Units: mm

\*Specifications and design are subject to change without notice for further improvement.

\*Actual products' colors may be different from the colors shown in this printed material.

# AOYG36KBTB

Please visit our [webstore](#) for full product and technical documentation 

Nominal Cooling Capacity	(kW)	9.5
Nominal Heating Capacity	(kW)	10.8
Height	(mm)	788
Width	(mm)	940
Depth	(mm)	320
Weight	(kg)	52
Airflow Rate - Cooling - High	(m <sup>3</sup> /h)	3750
Airflow Rate - Heating - High	(m <sup>3</sup> /h)	3750
Sound Pressure Level - Cooling - High	(dB(A))	55
Sound Pressure Level - Heating - High	(dB(A))	55
Sound Power Level - Cooling - High	(dB(A))	70
Sound Power Level - Heating - High	(dB(A))	70
Refrigerant Type (Global Warming Potential)		R32 (675)
Liquid Pipe Size		3/8"
Gas Pipe Size		5/8"
Min - Max Pipe Length	(m)	3 - 50
Max Height Difference	(m)	30
Refrigerant Charge (kg)	(kg)	1.9
Refrigerant CO <sub>2</sub> eq-T		1.283
Precharged For	(m)	30
Additional Charge (g/m)	(g/m)	40
Unit Power Supply		1Ph-230V-50Hz
Suggested Fuse Size	(A)	25
Cooling Mode Minimum Ambient	(°C)	-15
Cooling Mode Maximum Ambient	(°C)	46
Heating Mode Minimum Ambient	(°C)	-15
Heating Mode Maximum Ambient	(°C)	24



### Document Downloads

[Accessories](#)
[Airflow](#)
[Capacity Correction](#)
[Charging Details](#)
[Controls & Accessories](#)
[Dimensional Drawing](#)
[Electrical Characteristics](#)
[Function Settings](#)
[Inputs & Outputs](#)
[Installation Manual](#)
[Installation Space](#)
[Noise Curve](#)
[Product Image](#)
[Refrigerant Circuit](#)
[Spare Parts List All Pages](#)
[Specifications](#)
[Wiring Diagram](#)

### Related Items

[AUXG36KRLB](#)

9.5kW Circular Flow Cassette Indoor Unit - R32

[ARXG36KHTAP](#)

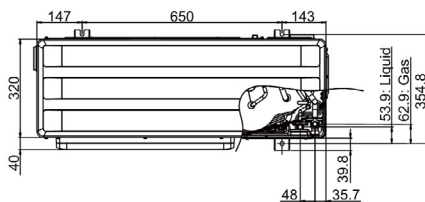
9.5kW Medium - Hi Static Ducted Indoor Unit - R32

[ARXG36KMLA](#)

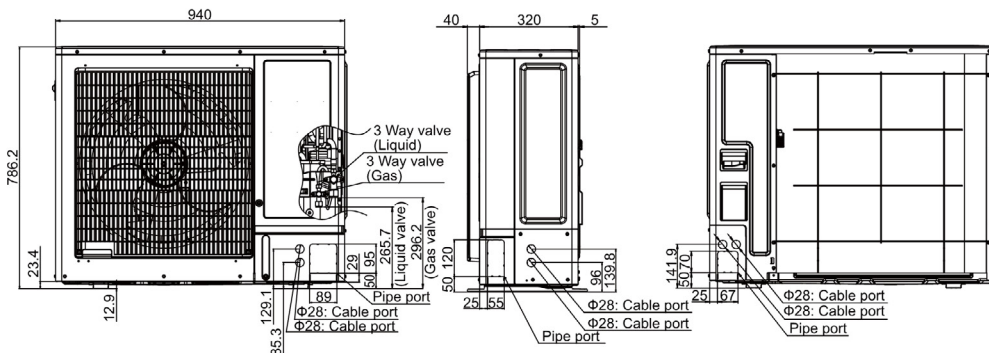
9.5kW Medium Static Ducted Indoor Unit - R32

[ABYG36KRTA](#)

9.5kW Ceiling Suspended Indoor Unit - R32



Top view



Front view

Side view

Rear view

Units: mm

\*Specifications and design are subject to change without notice for further improvement.

\*Actual products' colors may be different from the colors shown in this printed material.

### AOYG45KBTB

Please visit our [webstore](#) for full product and technical documentation 

Nominal Cooling Capacity	(kW)	12.1
Nominal Heating Capacity	(kW)	13.5
Height	(mm)	998
Width	(mm)	940
Depth	(mm)	320
Weight	(kg)	67
Airflow Rate - Cooling - High	(m <sup>3</sup> /h)	4450
Airflow Rate - Heating - High	(m <sup>3</sup> /h)	4450
Sound Pressure Level - Cooling - High	(dB(A))	57
Sound Pressure Level - Heating - High	(dB(A))	57
Sound Power Level - Cooling - High	(dB(A))	71
Sound Power Level - Heating - High	(dB(A))	71
Refrigerant Type (Global Warming Potential)		R32 (675)
Liquid Pipe Size		3/8"
Gas Pipe Size		5/8"
Min - Max Pipe Length	(m)	3 - 50
Max Height Difference	(m)	30
Refrigerant Charge (kg)	(kg)	2.7
Refrigerant CO <sub>2</sub> eq-T		1.823
Precharged For	(m)	30
Additional Charge (g/m)	(g/m)	40
Unit Power Supply		1Ph-230V-50Hz
Suggested Fuse Size	(A)	32
Cooling Mode Minimum Ambient	(°C)	-15
Cooling Mode Maximum Ambient	(°C)	46
Heating Mode Minimum Ambient	(°C)	-15
Heating Mode Maximum Ambient	(°C)	24



#### Document Downloads

[Accessories](#)
[Airflow](#)
[Capacity Correction](#)
[Charging Details](#)
[Controls & Accessories](#)
[Dimensional Drawing](#)
[Electrical Characteristics](#)
[Function Settings](#)
[Inputs & Outputs](#)
[Installation Manual](#)
[Installation Space](#)
[Noise Curve](#)
[Product Image](#)
[Refrigerant Circuit](#)
[Spare Parts List All Pages](#)
[Specifications](#)
[Wiring Diagram](#)

#### Related Items

[AUXG45KRLB](#)

12.1kW Circular Flow Cassette Indoor Unit - R32

[ARXG45KHTAP](#)

12.1kW Medium - Hi Static Ducted Indoor Unit - R32

[ARXG45KMLA](#)

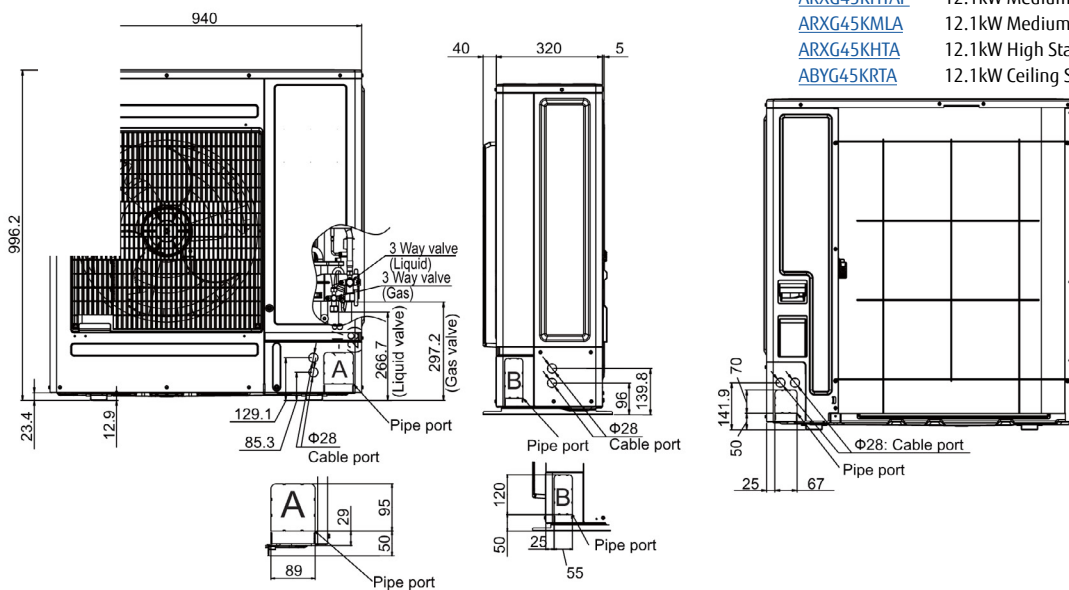
12.1kW Medium Static Ducted Indoor Unit - R32

[ARXG45KHTA](#)

12.1kW High Static Ducted Indoor Unit - R32

[ABYG45KRTA](#)

12.1kW Ceiling Suspended Indoor Unit - R32



Front view

Side view

Rear view

Units: mm

\*Specifications and design are subject to change without notice for further improvement.  
 •Actual products' colors may be different from the colors shown in this printed material.

### AOYG54KBTB

Please visit our [webstore](#) for full product and technical documentation 

Nominal Cooling Capacity	(kW)	13.4
Nominal Heating Capacity	(kW)	15.5
Height	(mm)	998
Width	(mm)	940
Depth	(mm)	320
Weight	(kg)	67
Airflow Rate - Cooling - High	(m <sup>3</sup> /h)	4450
Airflow Rate - Heating - High	(m <sup>3</sup> /h)	4450
Sound Pressure Level - Cooling - High	(dB(A))	57
Sound Pressure Level - Heating - High	(dB(A))	59
Sound Power Level - Cooling - High	(dB(A))	73
Sound Power Level - Heating - High	(dB(A))	73
Refrigerant Type (Global Warming Potential)		R32 (675)
Liquid Pipe Size		3/8"
Gas Pipe Size		5/8"
Min - Max Pipe Length	(m)	3 - 50
Max Height Difference	(m)	30
Refrigerant Charge (kg)	(kg)	2.7
Refrigerant CO <sub>2</sub> eq-T		1.823
Precharged For	(m)	30
Additional Charge (g/m)	(g/m)	40
Unit Power Supply		1Ph-230V-50Hz
Suggested Fuse Size	(A)	25
Cooling Mode Minimum Ambient	(°C)	-15
Cooling Mode Maximum Ambient	(°C)	46
Heating Mode Minimum Ambient	(°C)	-15
Heating Mode Maximum Ambient	(°C)	24



#### Document Downloads

[Accessories](#)
[Airflow](#)
[Capacity Correction](#)
[Charging Details](#)
[Controls & Accessories](#)
[Dimensional Drawing](#)
[Electrical Characteristics](#)
[Function Settings](#)
[Inputs & Outputs](#)
[Installation Manual](#)
[Installation Space](#)
[Noise Curve](#)
[Product Image](#)
[Refrigerant Circuit](#)
[Spare Parts List All Pages](#)
[Specifications](#)
[Wiring Diagram](#)

#### Related Items

[AUXG54KRLB](#)

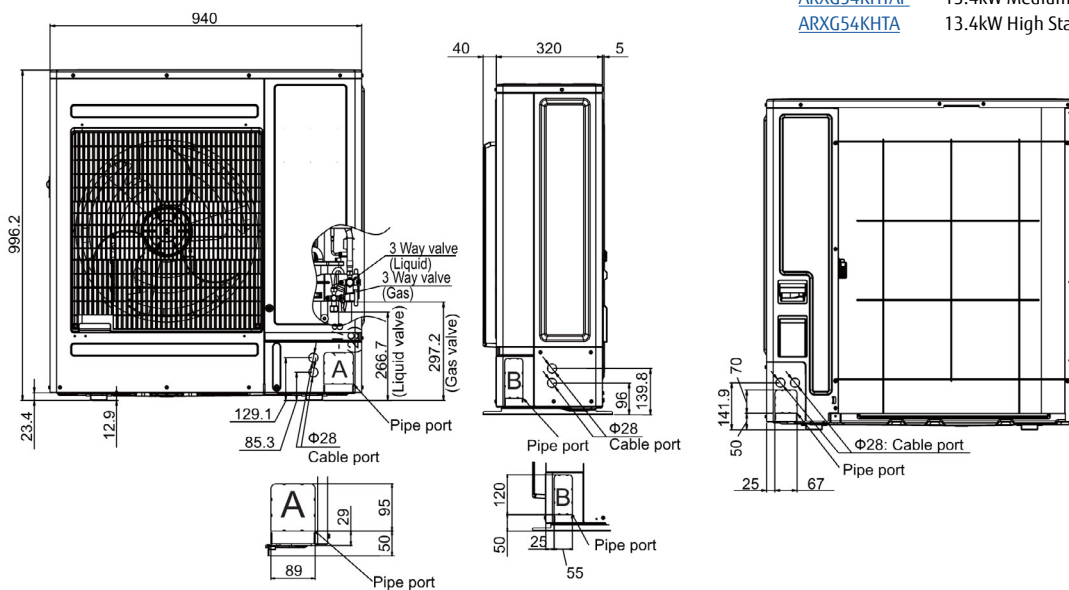
13.4kW Circular Flow Cassette Indoor Unit - R32

[ARXG54KHTAP](#)

13.4kW Medium - Hi Static Ducted Indoor Unit - R32

[ARXG54KHTA](#)

13.4kW High Static Ducted Indoor Unit - R32



Front view

Side view

Rear view

Units: mm

\*Specifications and design are subject to change without notice for further improvement.  
 •Actual products' colors may be different from the colors shown in this printed material.

# AOYG36KRTA

Please visit our [webstore](#) for full product and technical documentation 

Nominal Cooling Capacity	(kW)	9.5
Nominal Heating Capacity	(kW)	10.8
Height	(mm)	788
Width	(mm)	940
Depth	(mm)	320
Weight	(kg)	53
Airflow Rate - Cooling - High	(m3/h)	3750
Airflow Rate - Heating - High	(m3/h)	3750
Sound Pressure Level - Cooling - High	(dB(A))	55
Sound Pressure Level - Heating - High	(dB(A))	55
Sound Power Level - Cooling - High	(dB(A))	70
Sound Power Level - Heating - High	(dB(A))	70
Refrigerant Type (Global Warming Potential)		R32 (675)
Liquid Pipe Size		3/8"
Gas Pipe Size		5/8"
Min - Max Pipe Length	(m)	50
Max Height Difference	(m)	30
Refrigerant Charge (kg)	(kg)	1.9
Refrigerant CO2eq-T		1.283
Precharged For	(m)	30
Additional Charge (g/m)	(g/m)	40
Unit Power Supply		3Ph-400V-50Hz
Suggested Fuse Size	(A)	16
Cooling Mode Minimum Ambient	(°C)	-15
Cooling Mode Maximum Ambient	(°C)	46
Heating Mode Minimum Ambient	(°C)	-15
Heating Mode Maximum Ambient	(°C)	24



### Document Downloads

[Accessories](#)
[Airflow](#)
[Capacity Correction](#)
[Charging Details](#)
[Controls & Accessories](#)
[Dimensional Drawing](#)
[Electrical Characteristics](#)
[Function Settings](#)
[Inputs & Outputs](#)
[Installation Manual](#)
[Installation Space](#)
[Noise Curve](#)
[Product Image](#)
[Refrigerant Circuit](#)
[Spare Parts List All Pages](#)
[Specifications](#)
[Wiring Diagram](#)

### Related Items

[AUXG36KRLB](#)

9.5kW Circular Flow Cassette Indoor Unit - R32

[ARXG36KHTAP](#)

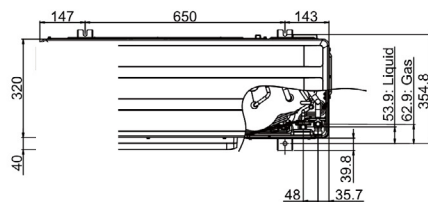
9.5kW Medium - Hi Static Ducted Indoor Unit - R32

[ARXG36KMLA](#)

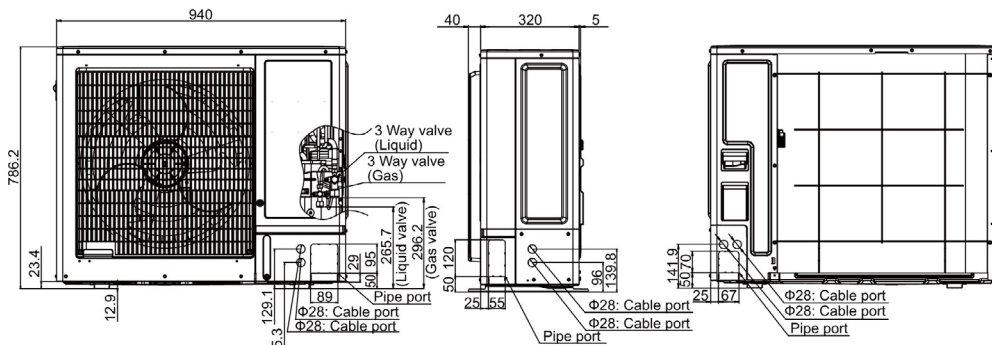
9.5kW Medium Static Ducted Indoor Unit - R32

[ABYG36KRTA](#)

9.5kW Ceiling Suspended Indoor Unit - R32



Top view



Front view

Side view

Rear view

Units: mm

\*Specifications and design are subject to change without notice for further improvement.

\*Actual products' colors may be different from the colors shown in this printed material.

# AOYG45KRTA

Please visit our [webstore](#) for full product and technical documentation 

Nominal Cooling Capacity	(kW)	12.1
Nominal Heating Capacity	(kW)	13.5
Height	(mm)	998
Width	(mm)	940
Depth	(mm)	320
Weight	(kg)	67
Airflow Rate - Cooling - High	(m <sup>3</sup> /h)	4450
Airflow Rate - Heating - High	(m <sup>3</sup> /h)	4450
Sound Pressure Level - Cooling - High	(dB(A))	57
Sound Pressure Level - Heating - High	(dB(A))	57
Sound Power Level - Cooling - High	(dB(A))	71
Sound Power Level - Heating - High	(dB(A))	71
Refrigerant Type (Global Warming Potential)		R32 (675)
Liquid Pipe Size		3/8"
Gas Pipe Size		5/8"
Min - Max Pipe Length	(m)	3 - 50
Max Height Difference	(m)	30
Refrigerant Charge (kg)	(kg)	2.7
Refrigerant CO <sub>2</sub> eq-T		1.823
Precharged For	(m)	30
Additional Charge (g/m)	(g/m)	40
Unit Power Supply		3Ph-400V-50Hz
Suggested Fuse Size	(A)	16
Cooling Mode Minimum Ambient	(°C)	-15
Cooling Mode Maximum Ambient	(°C)	46
Heating Mode Minimum Ambient	(°C)	-15
Heating Mode Maximum Ambient	(°C)	24



### Document Downloads

[Accessories](#)
[Airflow](#)
[Capacity Correction](#)
[Charging Details](#)
[Controls & Accessories](#)
[Dimensional Drawing](#)
[Electrical Characteristics](#)
[Function Settings](#)
[Inputs & Outputs](#)
[Installation Manual](#)
[Installation Space](#)
[Noise Curve](#)
[Product Image](#)
[Refrigerant Circuit](#)
[Spare Parts List All Pages](#)
[Specifications](#)
[Wiring Diagram](#)

### Related Items

[AUXG45KRLB](#)

12.1kW Circular Flow Cassette Indoor Unit - R32

[ARXG45KHTAP](#)

12.1kW Medium - Hi Static Ducted Indoor Unit - R32

[ARXG45KMLA](#)

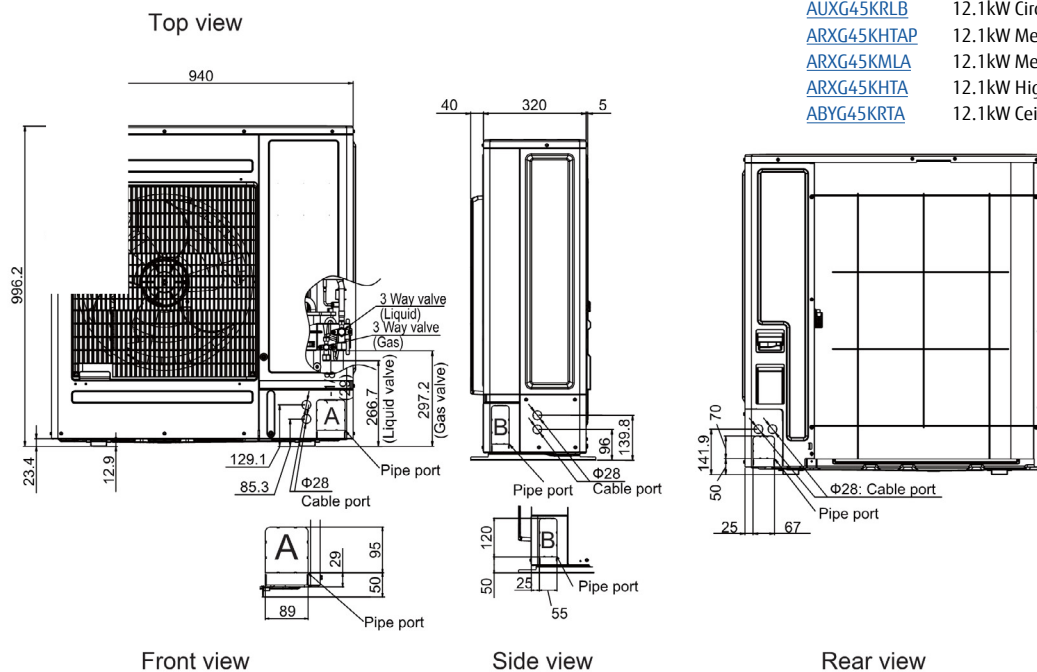
12.1kW Medium Static Ducted Indoor Unit - R32

[ARXG45KHATA](#)

12.1kW High Static Ducted Indoor Unit - R32

[ABYG45KRTA](#)

12.1kW Ceiling Suspended Indoor Unit - R32



\*Specifications and design are subject to change without notice for further improvement.

\*Actual products' colors may be different from the colors shown in this printed material.



# AOYG54KRTA

Please visit our [webstore](#) for full product and technical documentation 

Nominal Cooling Capacity	(kW)	13.4
Nominal Heating Capacity	(kW)	15.5
Height	(mm)	998
Width	(mm)	940
Depth	(mm)	320
Weight	(kg)	67
Airflow Rate - Cooling - High	(m <sup>3</sup> /h)	4450
Airflow Rate - Heating - High	(m <sup>3</sup> /h)	4450
Sound Pressure Level - Cooling - High	(dB(A))	57
Sound Pressure Level - Heating - High	(dB(A))	59
Sound Power Level - Cooling - High	(dB(A))	73
Sound Power Level - Heating - High	(dB(A))	73
Refrigerant Type (Global Warming Potential)		R32 (675)
Liquid Pipe Size		3/8"
Gas Pipe Size		5/8"
Min - Max Pipe Length	(m)	3 - 50
Max Height Difference	(m)	30
Refrigerant Charge (kg)	(kg)	2.7
Refrigerant CO <sub>2</sub> eq-T		1.823
Precharged For	(m)	30
Additional Charge (g/m)	(g/m)	40
Unit Power Supply		3Ph-400V-50Hz
Suggested Fuse Size	(A)	16
Cooling Mode Minimum Ambient	(°C)	-15
Cooling Mode Maximum Ambient	(°C)	46
Heating Mode Minimum Ambient	(°C)	-15
Heating Mode Maximum Ambient	(°C)	24



### Document Downloads

[Accessories](#)
[Airflow](#)
[Capacity Correction](#)
[Charging Details](#)
[Controls & Accessories](#)
[Dimensional Drawing](#)
[Electrical Characteristics](#)
[Function Settings](#)
[Inputs & Outputs](#)
[Installation Manual](#)
[Installation Space](#)
[Noise Curve](#)
[Product Image](#)
[Refrigerant Circuit](#)
[Spare Parts List All Pages](#)
[Specifications](#)
[Wiring Diagram](#)

### Related Items

[AUXG54KRLB](#)

13.4kW Circular Flow Cassette Indoor Unit - R32

[ARXG54KHTAP](#)

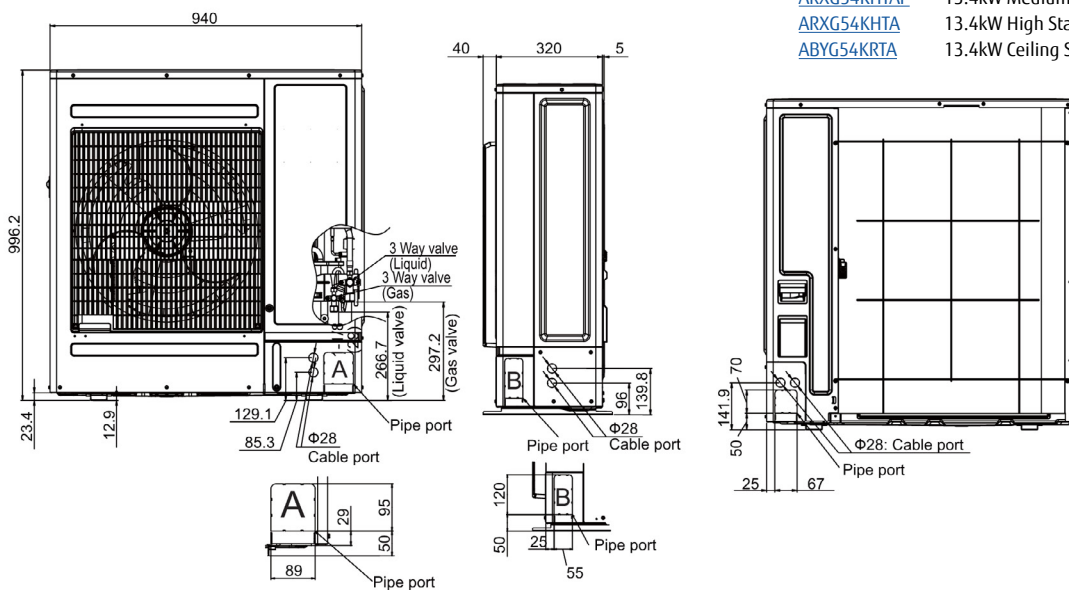
13.4kW Medium - Hi Static Ducted Indoor Unit - R32

[ARXG54KHTA](#)

13.4kW High Static Ducted Indoor Unit - R32

[ABYG54KRTA](#)

13.4kW Ceiling Suspended Indoor Unit - R32



Front view

Side view

Rear view

Units: mm

\*Specifications and design are subject to change without notice for further improvement.  
 •Actual products' colors may be different from the colors shown in this printed material.

# ARYG60LHTA

Please visit our webstore for full product and technical documentation 

Unit Type	High Static Ducted	
Remote Controller	Option	
Nominal Cooling Capacity (kW)	15.0	
Nominal Heating Capacity (kW)	18.0	
Height (mm)	425	
Width (mm)	1250	
Depth (mm)	490	
Weight (kg)	54	
Standard Static Pressure (Pa)	60	
Static Pressure Ranget (Pa)	60 to 260	
Airflow Rate - Cooling - High (m3/h)	3550	
Airflow Rate - Heating - High (m3/h)	3550	
Sound Pressure Level - Cooling - High (dB(A))	45	
Sound Pressure Level - Cooling - Low (dB(A))	36	
Sound Pressure Level - Heating - High (dB(A))	45	
Sound Pressure Level - Heating - Low (dB(A))	36	
Moisture Removal (l/h)	2	
Refrigerant Type (Global Warming Potential)	R410A (2,088)	
Liquid Pipe Size	3/8"	
Gas Pipe Size	5/8"	
Unit Power Supply	From Outdoor Unit	



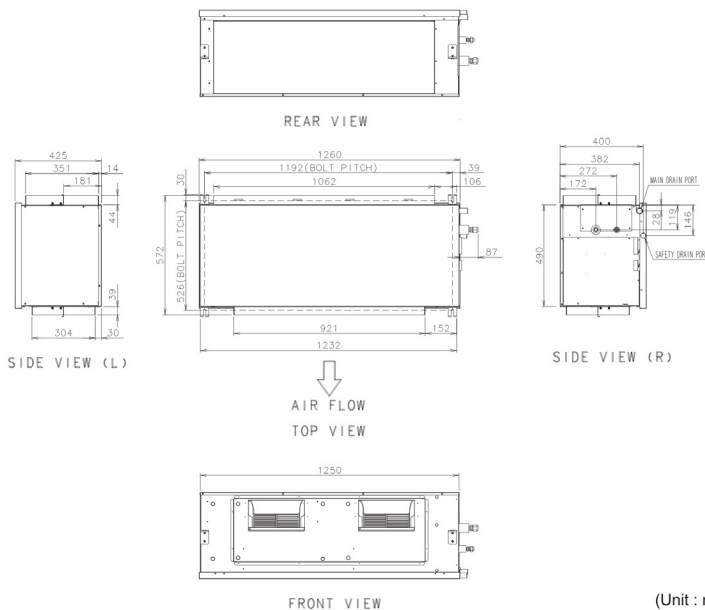
### Document Downloads

- [Airflow - Fan Curve](#)
- [Controls & Accessories](#)
- [Dimensional Drawing](#)
- [Function Settings](#)
- [Inputs & Outputs](#)
- [Installation Manual](#)
- [Noise Curve](#)
- [Operation Manual](#)
- [Product Image](#)

- [Spare Parts List All Pages](#)
- [Specifications](#)
- [Wiring Diagram](#)

### Related Items

- [AOYG60LATT](#) 15.0kW Outdoor Unit - R410A Three Phase
- [UTYRVNYM](#) LCD Wired Remote Controller
- [UTYTFNXZ1](#) Wireless LAN interface
- [UTYRSNYM](#) Simplified Wired Remote Controller
- [UTYTERX](#) External switch controller
- [FJRCWIF1](#) IntesisHome Wireless LAN Adapter for Splits & VRF
- [UTYXSZX](#) Remote Sensor Unit (for All Duct type)
- [UTYVTGX](#) Splits Network Converter (DC Powered)
- [UTYVTGXV](#) Splits Network Converter (AC Powered)
- [UTDECSSA](#) External Control Set
- [UTYLRHYM](#) Infra-Red Receiver & Controller



\*Specifications and design are subject to change without notice for further improvement.  
 \*Actual products' colors may be different from the colors shown in this printed material.

# AOYG60LATT

Please visit our webstore for full product and technical documentation 

Nominal Cooling Capacity	(kW)	15.0
Nominal Heating Capacity	(kW)	18.0
Height	(mm)	1290
Width	(mm)	900
Depth	(mm)	330
Weight	(kg)	104
Airflow Rate - Cooling - High	(m3/h)	6900
Airflow Rate - Heating - High	(m3/h)	7300
Sound Pressure Level - Cooling - High	(dB(A))	56
Sound Pressure Level - Heating - High	(dB(A))	58
Refrigerant Type (Global Warming Potential)		R410A (2,088)
Liquid Pipe Size		3/8"
Gas Pipe Size		5/8"
Min - Max Pipe Length	(m)	5 - 75
Max Height Difference	(m)	30
Refrigerant Charge (kg)	(kg)	3.45
Refrigerant CO2eq-T		7.204
Precharged For	(m)	30
Additional Charge (g/m)	(g/m)	50
Unit Power Supply		3Ph-400V-50Hz
Suggested Fuse Size	(A)	16
Cooling Mode Minimum Ambient	(°C)	-15
Cooling Mode Maximum Ambient	(°C)	46
Heating Mode Minimum Ambient	(°C)	-15
Heating Mode Maximum Ambient	(°C)	24



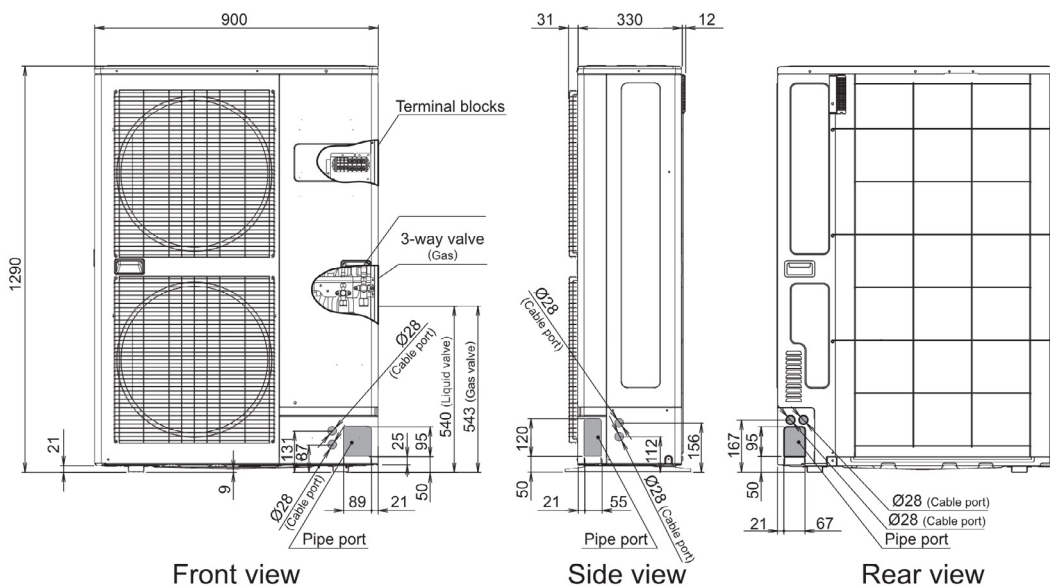
### Document Downloads

[Accessories](#)
[Airflow](#)
[Capacity Correction](#)
[Dimensional Drawing](#)
[Function Settings](#)
[Inputs & Outputs](#)
[Installation Manual](#)
[Noise Curve](#)
[Product Image](#)
[Refrigerant Circuit](#)
[Spare Parts List All Pages](#)
[Specifications](#)
[Wiring Diagram](#)

### Related Items

[ARYG60LHTA](#)

15.0kW High Static Ducted Indoor Unit - R410A



Units: mm

\*Specifications and design are subject to change without notice for further improvement.

\*Actual products' colors may be different from the colors shown in this printed material.

# ARYG72LHTA

Please visit our webstore for full product and technical documentation 

Unit Type	High Static Ducted	
Remote Controller	Included	
Nominal Cooling Capacity (kW)	19.0	
Nominal Heating Capacity (kW)	22.4	
Height (mm)	360	
Width (mm)	1400	
Depth (mm)	850	
Weight (kg)	69	
Standard Static Pressure (Pa)	72	
Static Pressure Ranget (Pa)	50 to 150	
Airflow Rate - Cooling - High (m3/h)	4300	
Airflow Rate - Heating - High (m3/h)	4300	
Sound Pressure Level - Cooling - High (dB(A))	46	
Sound Pressure Level - Cooling - Low (dB(A))	39	
Sound Pressure Level - Heating - High (dB(A))	46	
Sound Pressure Level - Heating - Low (dB(A))	39	
Moisture Removal (l/h)	4.5	
Refrigerant Type (Global Warming Potential)	R410A (2,088)	
Liquid Pipe Size	1/2"	
Gas Pipe Size	1 1/8"	
Unit Power Supply	From Outdoor Unit	

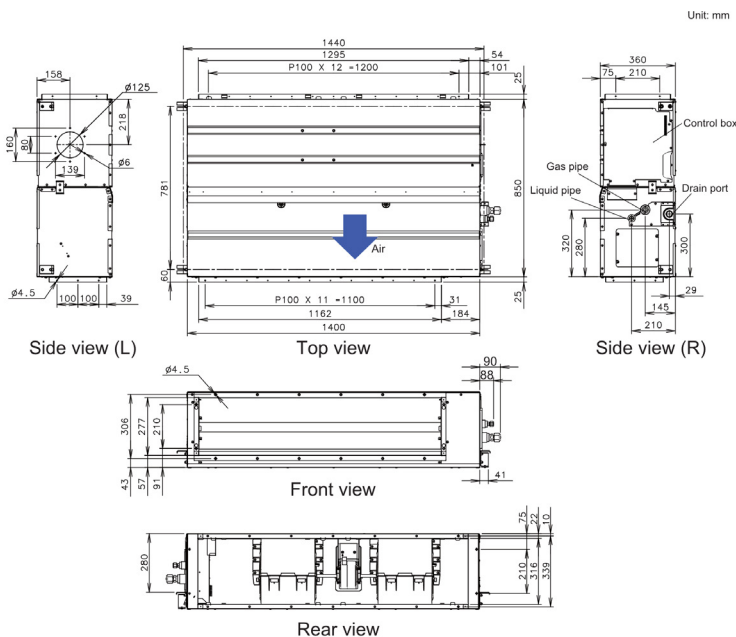


### Document Downloads

- [Airflow - Fan Curve](#)
- [Controls & Accessories](#)
- [Dimensional Drawing](#)
- [Function Settings](#)
- [Inputs & Outputs](#)
- [Installation Manual](#)
- [Noise Curve](#)
- [Operation Manual](#)
- [Product Image](#)
- [Spare Parts List All Pages](#)
- [Specifications](#)
- [Wiring Diagram](#)

### Related Items

- [AOYG72LRLA](#) 19.0kW Outdoor Unit - R410A Three Phase
- [UTDLFKA](#) Long Life Filter Kit
- [UTZPX1NAB](#) Condensate Lift Pump Kit (Size 72 & 90)
- [UTYFSSXZ1](#) Wireless LAN interface
- [UTYRCRYZ1](#) Compact Simple Remote controller
- [UTYRVNYM](#) LCD Wired Remote Controller
- [UTYRHRY](#) Simple Remote Controller (without Master Control)
- [UTYRSRY](#) Simple Remote Controller (with Master Control)
- [UTYRSNYM](#) Simplified Wired Remote Controller
- [UTYTERX](#) External switch controller
- [FJRCWIFI1](#) IntesisHome Wireless LAN Adapter for Splits & VRF
- [UTYXCSX](#) External Input / Output PCB
- [UTYXSZX](#) Remote Sensor Unit (for All Duct type)
- [UTYXWZXZG](#) External Connect Kit
- [UTYVTGX](#) Splits Network Converter (DC Powered)
- [UTYVTGXV](#) Splits Network Converter (AC Powered)
- [UTYLBTYM](#) Infra-Red Receiver Kit, Receiver Wire -9710358012
- [UTYLRHYM](#) Infra-Red Receiver & Controller

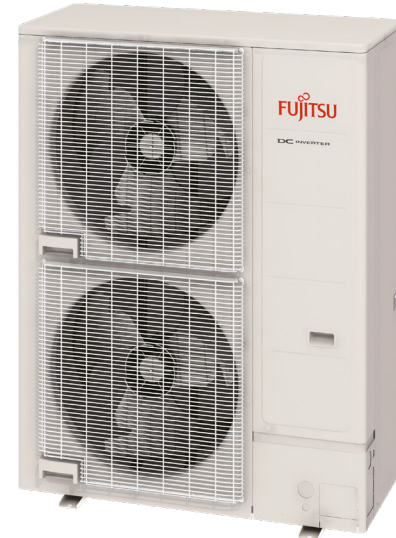


\*Specifications and design are subject to change without notice for further improvement.  
 •Actual products' colors may be different from the colors shown in this printed material.

# AOYG72LRLA

Please visit our webstore for full product and technical documentation 

Nominal Cooling Capacity	(kW)	19.0
Nominal Heating Capacity	(kW)	22.4
Height	(mm)	1428
Width	(mm)	1080
Depth	(mm)	480
Weight	(kg)	165
Airflow Rate - Cooling - High	(m3/h)	8400
Airflow Rate - Heating - High	(m3/h)	8400
Sound Pressure Level - Cooling - High	(dB(A))	55
Sound Pressure Level - Heating - High	(dB(A))	55
Refrigerant Type (Global Warming Potential)		R410A (2,088)
Liquid Pipe Size		1/2"
Gas Pipe Size		1 1/8"
Min - Max Pipe Length	(m)	5 - 100
Max Height Difference	(m)	30
Refrigerant Charge (kg)	(kg)	5.6
Refrigerant CO2eq-T		11.693
Precharged For	(m)	30
Additional Charge (g/m)	(g/m)	3/8 = 50 1/2 = 110
Unit Power Supply		3Ph-400V-50Hz
Suggested Fuse Size	(A)	16
Cooling Mode Minimum Ambient	(°C)	-15
Cooling Mode Maximum Ambient	(°C)	46
Heating Mode Minimum Ambient	(°C)	-20
Heating Mode Maximum Ambient	(°C)	24



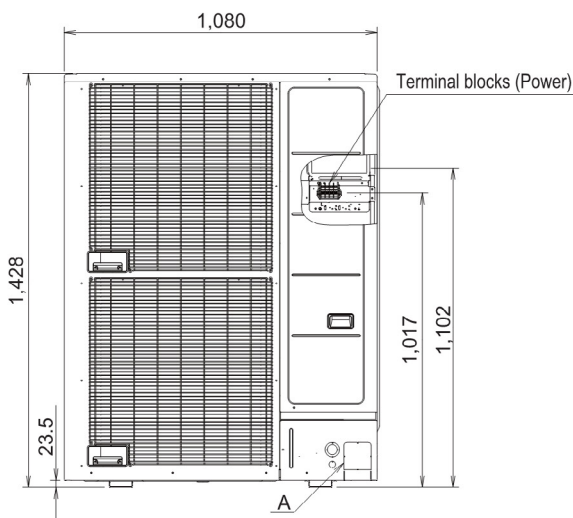
### Document Downloads

[Accessories](#)
[Airflow](#)
[Capacity Correction](#)
[Dimensional Drawing](#)
[Function Settings](#)
[Inputs & Outputs](#)
[Installation Manual](#)
[Noise Curve](#)
[Product Image](#)
[Refrigerant Circuit](#)
[Spare Parts List All Pages](#)
[Specifications](#)
[Wiring Diagram](#)

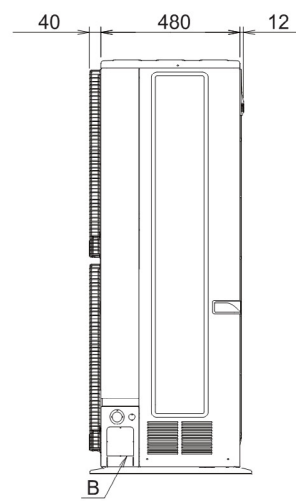
### Related Items

[ARYG72LHTA](#)

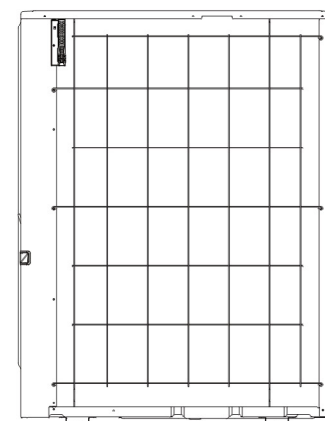
19.0kW High Static Ducted Indoor Unit - R410A



Front view



Side view



Rear view

Units: mm

\*Specifications and design are subject to change without notice for further improvement.  
 •Actual products' colors may be different from the colors shown in this printed material.

## ARYG90LHTA

Please visit our webstore for full product and technical documentation 

Unit Type	High Static Ducted	
Remote Controller	Included	
Nominal Cooling Capacity (kW)	22.0	
Nominal Heating Capacity (kW)	27.0	
Height (mm)	360	
Width (mm)	1400	
Depth (mm)	850	
Weight (kg)	80	
Standard Static Pressure (Pa)	72	
Static Pressure Ranget (Pa)	50 to 200	
Airflow Rate - Cooling - High (m3/h)	4300	
Airflow Rate - Heating - High (m3/h)	4300	
Sound Pressure Level - Cooling - High (dB(A))	47	
Sound Pressure Level - Cooling - Low (dB(A))	40	
Sound Pressure Level - Heating - High (dB(A))	47	
Sound Pressure Level - Heating - Low (dB(A))	40	
Moisture Removal (l/h)	6	
Refrigerant Type (Global Warming Potential)	R410A (2,088)	
Liquid Pipe Size	1/2"	
Gas Pipe Size	1 1/8"	
Unit Power Supply	From Outdoor Unit	



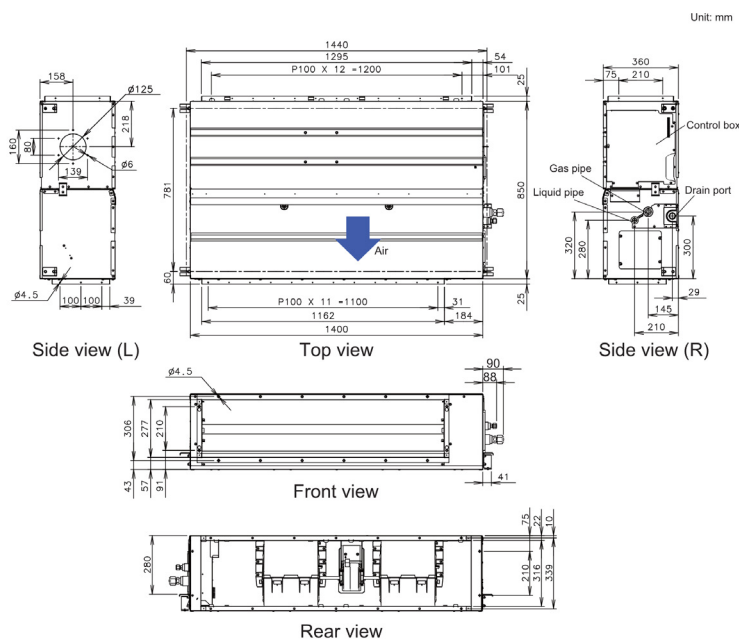
### Document Downloads

- [Airflow - Fan Curve](#)
- [Controls & Accessories](#)
- [Dimensional Drawing](#)
- [Function Settings](#)
- [Inputs & Outputs](#)
- [Installation Manual](#)
- [Noise Curve](#)
- [Operation Manual](#)
- [Product Image](#)

- [Spare Parts List All Pages](#)
- [Specifications](#)
- [Wiring Diagram](#)

### Related Items

- [AOYG90LRLA](#) 22.0kW Outdoor Unit - R410A Three Phase
- [UTDLFKA](#) Long Life Filter Kit
- [UTZPX1NAB](#) Condensate Lift Pump Kit (Size 72 & 90)
- [UTYFCSXZ1](#) Wireless LAN interface
- [UTYRCRYZ1](#) Compact Simple Remote controller
- [UTYRVNYM](#) LCD Wired Remote Controller
- [UTYRHRY](#) Simple Remote Controller (without Master Control)
- [UTYRSRY](#) Simple Remote Controller (with Master Control)
- [UTYRSNYM](#) Simplified Wired Remote Controller
- [UTYTERX](#) External switch controller
- [FJRCWIFI1](#) IntesisHome Wireless LAN Adapter for Splits & VRF
- [UTYXCSX](#) External Input / Output PCB
- [UTYXSZX](#) Remote Sensor Unit (for All Duct type)
- [UTYXWZXZG](#) External Connect Kit
- [UTYVTGX](#) Splits Network Converter (DC Powered)
- [UTYVTGXV](#) Splits Network Converter (AC Powered)
- [UTYLBTYM](#) Infra-Red Receiver Kit, Receiver Wire -9710358012
- [UTYLRHYM](#) Infra-Red Receiver & Controller



\*Specifications and design are subject to change without notice for further improvement.  
 •Actual products' colors may be different from the colors shown in this printed material.

# AOYG90LRLA

Please visit our webstore for full product and technical documentation 

Nominal Cooling Capacity	(kW)	22.0
Nominal Heating Capacity	(kW)	27.0
Height	(mm)	1428
Width	(mm)	1080
Depth	(mm)	480
Weight	(kg)	174
Airflow Rate - Cooling - High	(m3/h)	8400
Airflow Rate - Heating - High	(m3/h)	9000
Sound Pressure Level - Cooling - High	(dB(A))	55
Sound Pressure Level - Heating - High	(dB(A))	57
Refrigerant Type (Global Warming Potential)		R410A (2,088)
Liquid Pipe Size		1/2"
Gas Pipe Size		1 1/8"
Min - Max Pipe Length	(m)	5 - 100
Max Height Difference	(m)	30
Refrigerant Charge (kg)	(kg)	7.1
Refrigerant CO2eq-T		14.825
Precharged For	(m)	30
Additional Charge (g/m)	(g/m)	3/8 = 50 1/2 = 110
Unit Power Supply		3Ph-400V-50Hz
Suggested Fuse Size	(A)	16
Cooling Mode Minimum Ambient	(°C)	-15
Cooling Mode Maximum Ambient	(°C)	46
Heating Mode Minimum Ambient	(°C)	-20
Heating Mode Maximum Ambient	(°C)	24



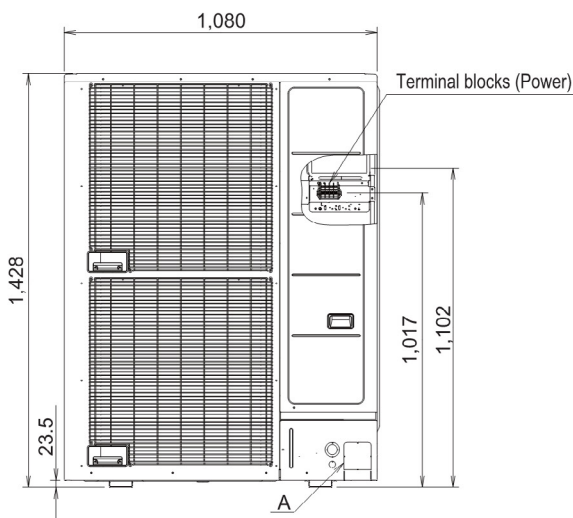
### Document Downloads

[Accessories](#)
[Airflow](#)
[Capacity Correction](#)
[Dimensional Drawing](#)
[Function Settings](#)
[Inputs & Outputs](#)
[Installation Manual](#)
[Noise Curve](#)
[Product Image](#)
[Refrigerant Circuit](#)
[Spare Parts List All Pages](#)
[Specifications](#)
[Wiring Diagram](#)

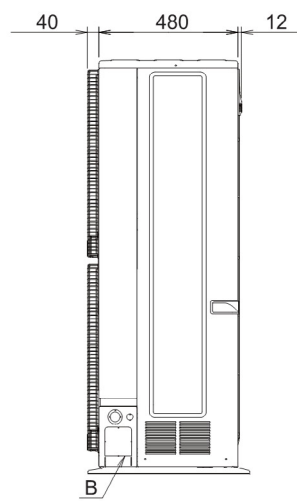
### Related Items

[ARYG90LHTA](#)

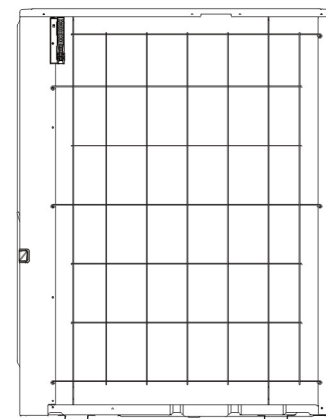
22.0kW High Static Ducted Indoor Unit - R410A



Front view



Side view



Rear view

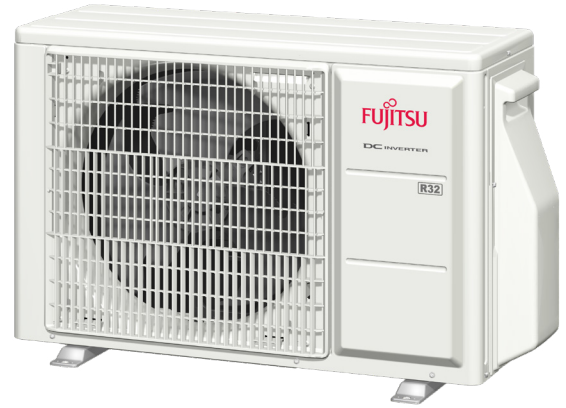
Units: mm

\*Specifications and design are subject to change without notice for further improvement.  
 •Actual products' colors may be different from the colors shown in this printed material.

### AOYG14KBTA2

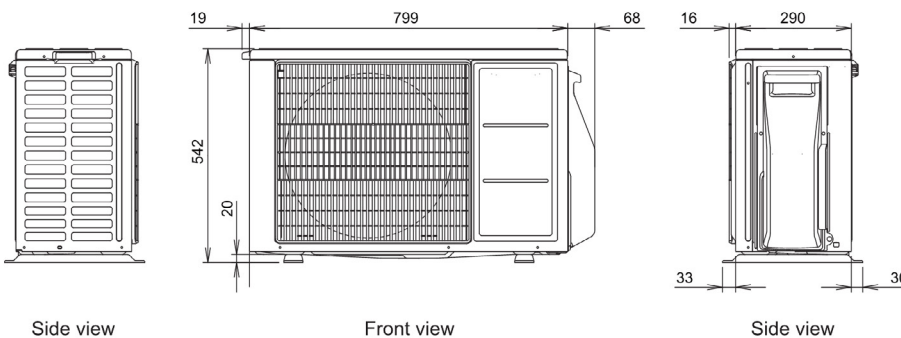
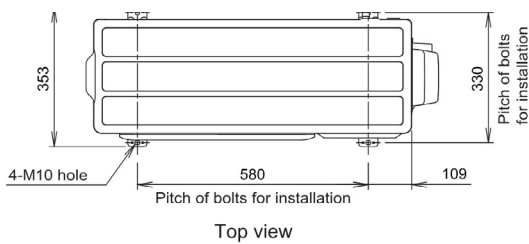
Please visit our webstore for full product and technical documentation 

Nominal Cooling Capacity (kW)	4.0
Nominal Heating Capacity (kW)	4.4
Maximum Connectable Indoor Units	2
EER	4.12
COP (Nominal Heating)	4.63
Height (mm)	542
Width (mm)	799
Depth (mm)	290
Weight (kg)	33
Sound Pressure Level - Cooling - High (dB(A))	47
Sound Pressure Level - Heating - High (dB(A))	49
Refrigerant Type (Global Warming Potential)	R32 (675)
Liquid Pipe Size	Depending on Indoor
Gas Pipe Size	Depending on Indoor
Max Pipe Length (m)	30 Total 20 Each Unit
Max Height Difference (m)	15
Refrigerant Charge (kg)	0.9
Refrigerant CO2eq-T	0.608
Unit Power Supply	1Ph-230V-50Hz
Cooling Mode Minimum Ambient (°C)	-10
Cooling Mode Maximum Ambient (°C)	46
Heating Mode Minimum Ambient (°C)	-15
Heating Mode Maximum Ambient (°C)	24



#### Document Downloads

- [Airflow](#)
- [Capacity Correction](#)
- [Capacity Tables](#)
- [Charging Details](#)
- [Controls & Accessories](#)
- [Design & Technical Manual](#)
- [Dimensional Drawing](#)
- [Electrical Characteristics](#)
- [Indoor Unit Combinations](#)
- [Installation Manual](#)
- [Noise Curve](#)
- [Product Image](#)
- [Refrigerant Circuit](#)
- [Spare Parts List All Pages](#)
- [Specifications](#)
- [Wiring Diagram](#)



Units: mm

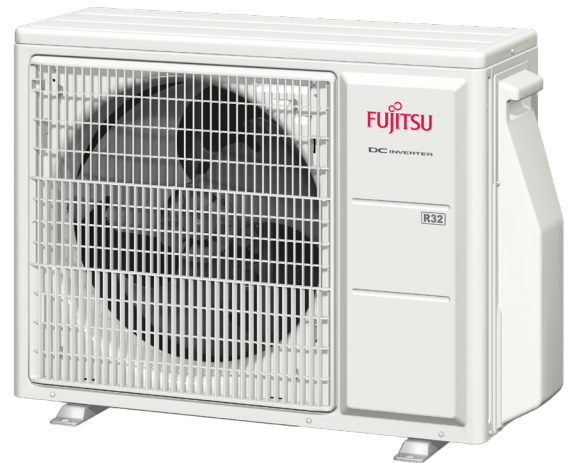
\*Specifications and design are subject to change without notice for further improvement.  
 \*Actual products' colors may be different from the colors shown in this printed material.



### AOYG18KBT A2

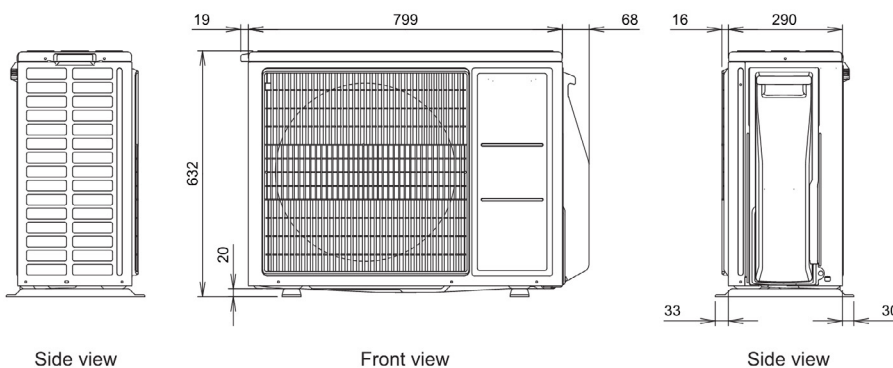
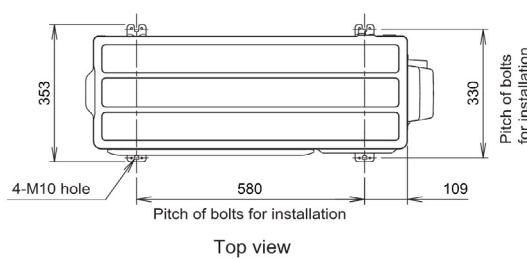
Please visit our webstore for full product and technical documentation 

Nominal Cooling Capacity (kW)	5.0
Nominal Heating Capacity (kW)	5.6
Maximum Connectable Indoor Units	2
EER	4.03
COP (Nominal Heating)	4.59
Height (mm)	632
Width (mm)	799
Depth (mm)	290
Weight (kg)	37
Sound Pressure Level - Cooling - High (dB(A))	47
Sound Pressure Level - Heating - High (dB(A))	50
Refrigerant Type (Global Warming Potential)	R32 (675)
Liquid Pipe Size	Depending on Indoor
Gas Pipe Size	Depending on Indoor
Max Pipe Length (m)	30 Total 20 Each Unit
Max Height Difference (m)	15
Refrigerant Charge (kg)	1.02
Refrigerant CO2eq-T	0.689
Unit Power Supply	1Ph-230V-50Hz
Cooling Mode Minimum Ambient (°C)	-10
Cooling Mode Maximum Ambient (°C)	46
Heating Mode Minimum Ambient (°C)	-15
Heating Mode Maximum Ambient (°C)	24



#### Document Downloads

- [Airflow](#)
- [Capacity Correction](#)
- [Capacity Tables](#)
- [Charging Details](#)
- [Controls & Accessories](#)
- [Design & Technical Manual](#)
- [Dimensional Drawing](#)
- [Electrical Characteristics](#)
- [Indoor Unit Combinations](#)
- [Installation Manual](#)
- [Noise Curve](#)
- [Product Image](#)
- [Refrigerant Circuit](#)
- [Spare Parts List All Pages](#)
- [Specifications](#)
- [Wiring Diagram](#)



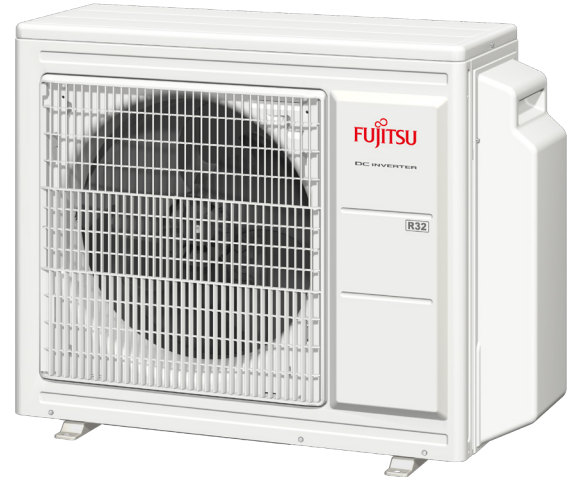
Units: mm

\*Specifications and design are subject to change without notice for further improvement.  
 •Actual products' colors may be different from the colors shown in this printed material.

### AOYG18KBT A3

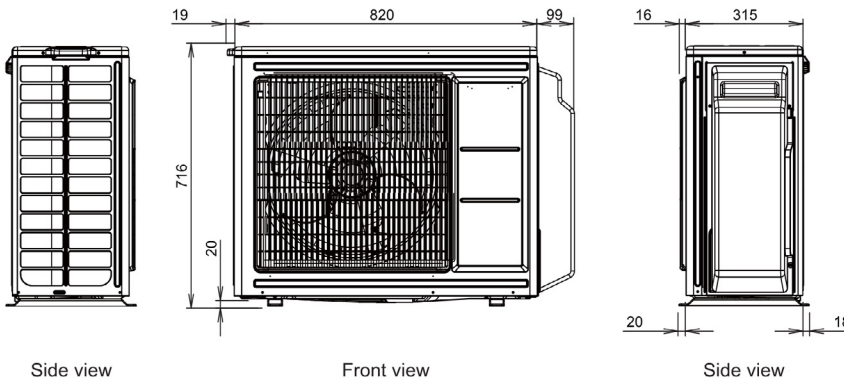
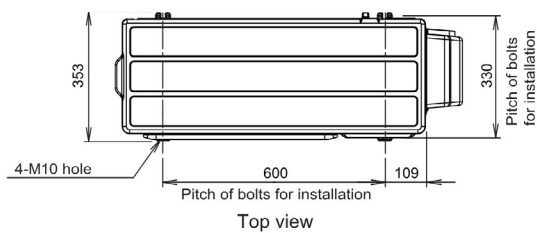
Please visit our webstore for full product and technical documentation 

Nominal Cooling Capacity (kW)	5.4
Nominal Heating Capacity (kW)	6.8
Maximum Connectable Indoor Units	3
EER	4.78
COP (Nominal Heating)	4.89
Height (mm)	716
Width (mm)	820
Depth (mm)	315
Weight (kg)	46
Sound Pressure Level - Cooling - High (dB(A))	46
Sound Pressure Level - Heating - High (dB(A))	49
Refrigerant Type (Global Warming Potential)	R32 (675)
Liquid Pipe Size	Depending on Indoor
Gas Pipe Size	Depending on Indoor
Max Pipe Length (m)	50 Total 25 Each Unit
Max Height Difference (m)	15
Refrigerant Charge (kg)	1.8
Refrigerant CO2eq-T	1.215
Unit Power Supply	1Ph-230V-50Hz
Cooling Mode Minimum Ambient (°C)	-10
Cooling Mode Maximum Ambient (°C)	46
Heating Mode Minimum Ambient (°C)	-15
Heating Mode Maximum Ambient (°C)	24



#### Document Downloads

- [Airflow](#)
- [Capacity Correction](#)
- [Capacity Tables](#)
- [Charging Details](#)
- [Controls & Accessories](#)
- [Design & Technical Manual](#)
- [Dimensional Drawing](#)
- [Electrical Characteristics](#)
- [Function Settings](#)
- [Indoor Unit Combinations](#)
- [Installation Manual](#)
- [Noise Curve](#)
- [Product Image](#)
- [Refrigerant Circuit](#)
- [Spare Parts List All Pages](#)
- [Specifications](#)
- [Wiring Diagram](#)



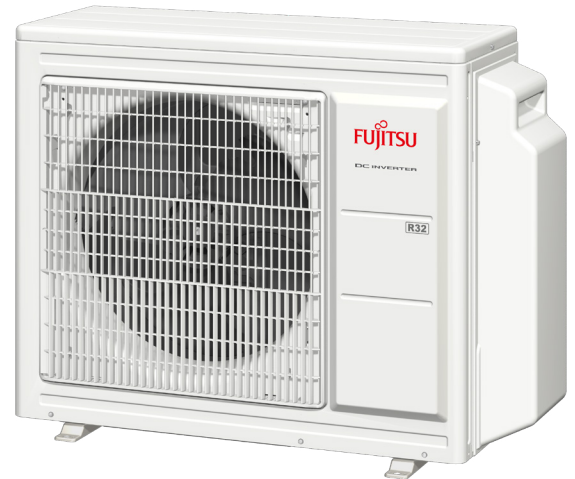
Units: mm

\*Specifications and design are subject to change without notice for further improvement.  
 \*Actual products' colors may be different from the colors shown in this printed material.

### AOYG24KBT A3

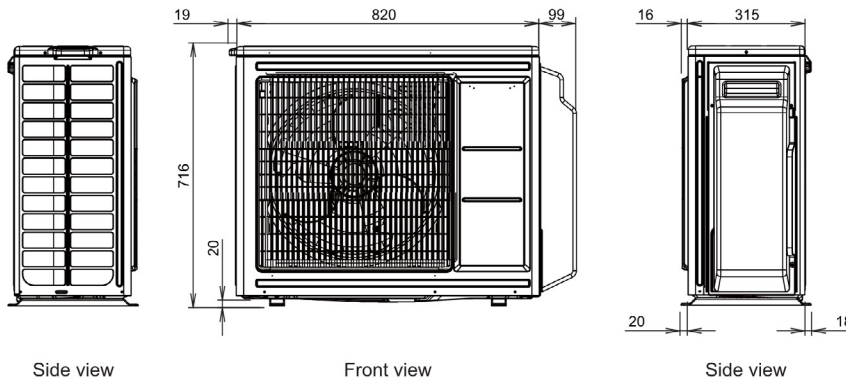
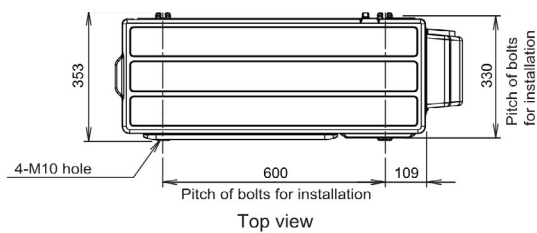
Please visit our webstore for full product and technical documentation 

Nominal Cooling Capacity (kW)	6.8
Nominal Heating Capacity (kW)	8.0
Maximum Connectable Indoor Units	3
EER	3.9
COP (Nominal Heating)	4.4
Height (mm)	716
Width (mm)	820
Depth (mm)	315
Weight (kg)	46
Sound Pressure Level - Cooling - High (dB(A))	48
Sound Pressure Level - Heating - High (dB(A))	53
Refrigerant Type (Global Warming Potential)	R32 (675)
Liquid Pipe Size	Depending on Indoor
Gas Pipe Size	Depending on Indoor
Max Pipe Length (m)	50 Total 25 Each Unit
Max Height Difference (m)	15
Refrigerant Charge (kg)	1.8
Refrigerant CO2eq-T	1.215
Unit Power Supply	1Ph-230V-50Hz
Cooling Mode Minimum Ambient (°C)	-10
Cooling Mode Maximum Ambient (°C)	46
Heating Mode Minimum Ambient (°C)	-15
Heating Mode Maximum Ambient (°C)	24



#### Document Downloads

- [Airflow](#)
- [Capacity Correction](#)
- [Capacity Tables](#)
- [Charging Details](#)
- [Controls & Accessories](#)
- [Design & Technical Manual](#)
- [Dimensional Drawing](#)
- [Electrical Characteristics](#)
- [Function Settings](#)
- [Indoor Unit Combinations](#)
- [Installation Manual](#)
- [Noise Curve](#)
- [Product Image](#)
- [Refrigerant Circuit](#)
- [Spare Parts List All Pages](#)
- [Specifications](#)
- [Wiring Diagram](#)



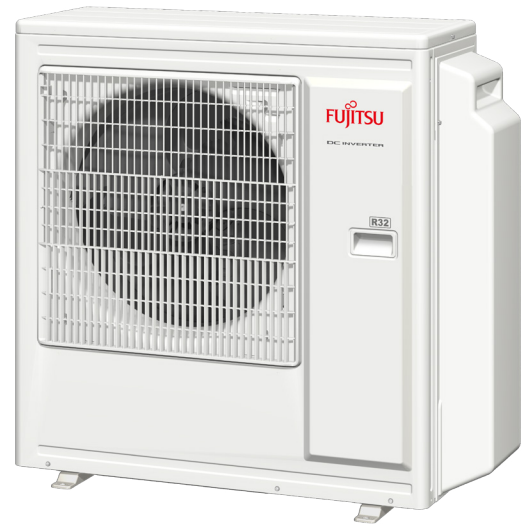
Units: mm

\*Specifications and design are subject to change without notice for further improvement.  
 •Actual products' colors may be different from the colors shown in this printed material.

### AOYG30KBTA4

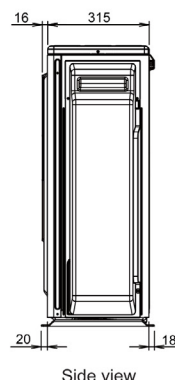
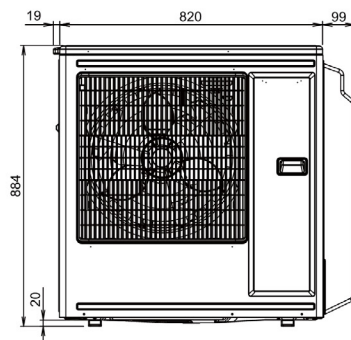
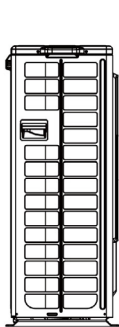
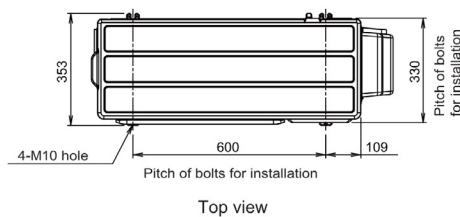
Please visit our webstore for full product and technical documentation 

Nominal Cooling Capacity (kW)	8.0
Nominal Heating Capacity (kW)	9.6
Maximum Connectable Indoor Units	4
EER	3.9
COP (Nominal Heating)	4.55
Height (mm)	844
Width (mm)	820
Depth (mm)	315
Weight (kg)	55
Sound Pressure Level - Cooling - High (dB(A))	50
Sound Pressure Level - Heating - High (dB(A))	54
Refrigerant Type (Global Warming Potential)	R32 (675)
Liquid Pipe Size	Depending on Indoor
Gas Pipe Size	Depending on Indoor
Max Pipe Length (m)	70 Total 25 Each Unit
Max Height Difference (m)	15
Refrigerant Charge (kg)	2.2
Refrigerant CO2eq-T	1.485
Unit Power Supply	1Ph-230V-50Hz
Cooling Mode Minimum Ambient (°C)	-10
Cooling Mode Maximum Ambient (°C)	46
Heating Mode Minimum Ambient (°C)	-15
Heating Mode Maximum Ambient (°C)	24



#### Document Downloads

- [Airflow](#)
- [Capacity Correction](#)
- [Capacity Tables](#)
- [Charging Details](#)
- [Controls & Accessories](#)
- [Design & Technical Manual](#)
- [Dimensional Drawing](#)
- [Electrical Characteristics](#)
- [Function Settings](#)
- [Indoor Unit Combinations](#)
- [Installation Manual](#)
- [Noise Curve](#)
- [Product Image](#)
- [Refrigerant Circuit](#)
- [Spare Parts List All Pages](#)
- [Specifications](#)
- [Wiring Diagram](#)



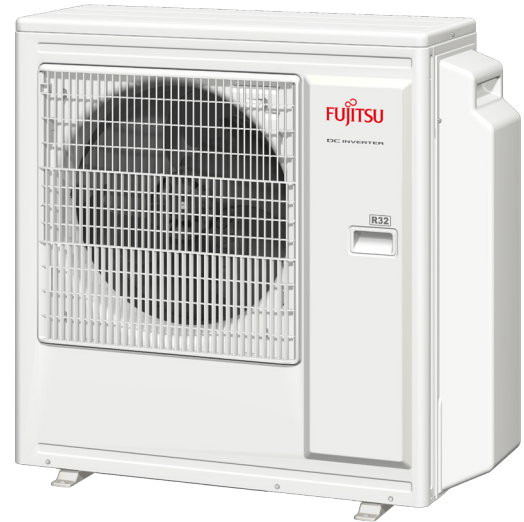
Units: mm

\*Specifications and design are subject to change without notice for further improvement.  
 \*Actual products' colors may be different from the colors shown in this printed material.

### AOYG36KBT A5

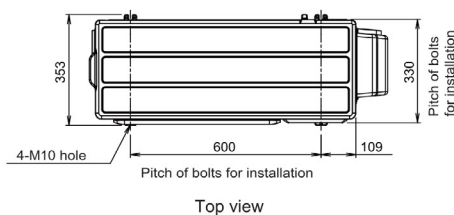
Please visit our [webstore](#) for full product and technical documentation 

Nominal Cooling Capacity (kW)	9.5
Nominal Heating Capacity (kW)	10.6
Maximum Connectable Indoor Units	5
EER	3.8
COP (Nominal Heating)	4.5
Height (mm)	844
Width (mm)	820
Depth (mm)	315
Weight (kg)	59
Sound Pressure Level - Cooling - High (dB(A))	52
Sound Pressure Level - Heating - High (dB(A))	55
Refrigerant Type (Global Warming Potential)	R32 (675)
Liquid Pipe Size	Depending on Indoor
Gas Pipe Size	Depending on Indoor
Max Pipe Length (m)	75 Total 25 Each Unit
Max Height Difference (m)	15
Refrigerant Charge (kg)	2.2
Refrigerant CO2eq-T	1.688
Unit Power Supply	1Ph-230V-50Hz
Cooling Mode Minimum Ambient (°C)	-10
Cooling Mode Maximum Ambient (°C)	46
Heating Mode Minimum Ambient (°C)	-15
Heating Mode Maximum Ambient (°C)	24

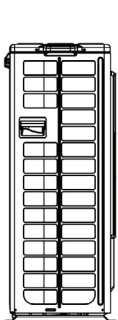


#### Document Downloads

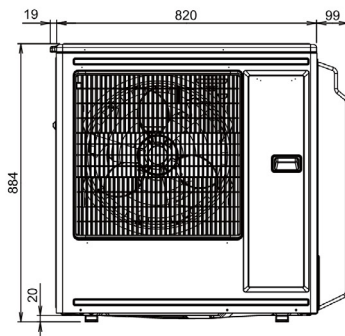
- [Airflow](#)
- [Capacity Correction](#)
- [Capacity Tables](#)
- [Charging Details](#)
- [Controls & Accessories](#)
- [Design & Technical Manual](#)
- [Dimensional Drawing](#)
- [Electrical Characteristics](#)
- [Function Settings](#)
- [Indoor Unit Combinations](#)
- [Installation Manual](#)
- [Noise Curve](#)
- [Product Image](#)
- [Refrigerant Circuit](#)
- [Spare Parts List All Pages](#)
- [Specifications](#)
- [Wiring Diagram](#)



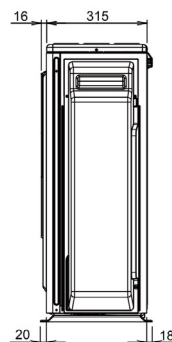
Top view



Side view



Front view



Side view

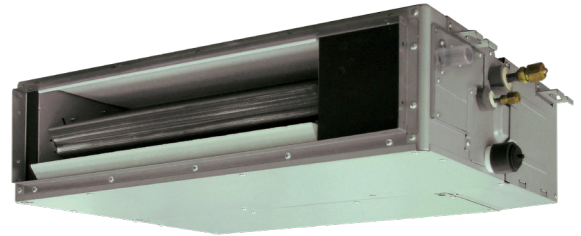
Units: mm

\*Specifications and design are subject to change without notice for further improvement.  
 \*Actual products' colors may be different from the colors shown in this printed material.

# ARXG07KSLAP

Please visit our [webstore](#) for full product and technical documentation 

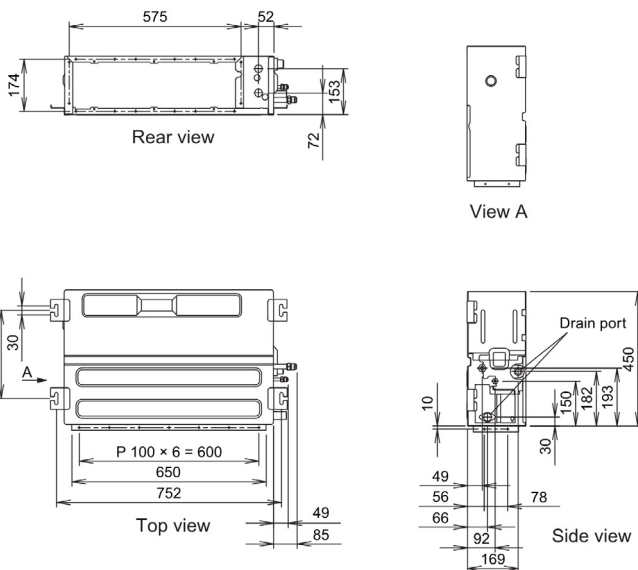
Unit Type	Mini Duct
Nominal Cooling Capacity (kW)	2.0
Height (mm)	198
Width (mm)	700
Depth (mm)	450
Weight (kg)	15.5
Static Pressure Ranget (Pa)	0 to 30
Airflow Rate - Cooling - High (m3/h)	550
Airflow Rate - Heating - High (m3/h)	550
Sound Pressure Level - Cooling - High (dB(A))	29
Sound Pressure Level - Cooling - Low (dB(A))	24
Sound Pressure Level - Heating - High (dB(A))	29
Sound Pressure Level - Heating - Low (dB(A))	24
Sound Power Level - Cooling - High (dB(A))	52
Sound Power Level - Heating - High (dB(A))	53
Refrigerant Type (Global Warming Potential)	R32 (675)
Liquid Pipe Size	1/4"
Gas Pipe Size	3/8"



### Document Downloads

[Air Distribution](#)
[Airflow](#)
[Controls & Accessories](#)
[Dimensional Drawing](#)
[Electrical Characteristics](#)
[Fan Curve](#)
[Function Settings](#)
[Inputs & Outputs](#)
[Installation Manual](#)
[Noise Curve](#)
[Operation Manual](#)
[Product Image](#)
[Spare Parts List All Pages](#)
[Specifications](#)
[Wiring Diagram](#)

Unit: mm



### Related Items

[AOYG14KBTA2](#)
[AOYG18KBTA2](#)
[AOYG18KBTA3](#)
[AOYG24KBTA3](#)
[AOYG30KBTA4](#)
[AOYG36KBTA5](#)
[UTYTFSXZ1](#)
[UTYRVNYM](#)
[UTYRHRY](#)
[UTYRSRY](#)
[UTYRSNYM](#)
[UTYLBTYM](#)
[UTYXSZX](#)
[UTYVTGX](#)
[UTYVTGXV](#)

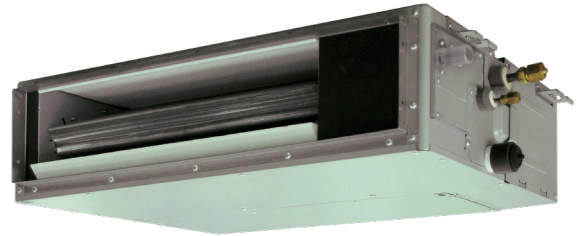
- 4.0kW 2 Way Multi Outdoor Unit - R32 1 Ph
- 5.0kW 2 Way Multi Outdoor Unit - R32 1 Ph
- 5.4kW 3 Way Multi Outdoor Unit - R32 1 Ph
- 6.8kW 3 Way Multi Outdoor Unit - R32 1 Ph
- 8.0kW 4 Way Multi Outdoor Unit - R32 1 Ph
- 10.0kW 5 Way Multi Outdoor Unit - R32 1 Ph
- Wireless LAN interface
- LCD Wired Remote Controller
- Simple Remote Controller (without Master Control)
- Simple Remote Controller (with Master Control)
- Simplified Wired Remote Controller
- Infra-Red Receiver Kit, Receiver Wire -9710358012
- Remote Sensor Unit (for All Duct type)
- Splits Network Converter (DC Powered)
- Splits Network Converter (AC Powered)

\*Specifications and design are subject to change without notice for further improvement.  
 •Actual products' colors may be different from the colors shown in this printed material.

# ARXG09KSLAP

Please visit our [webstore](#) for full product and technical documentation 

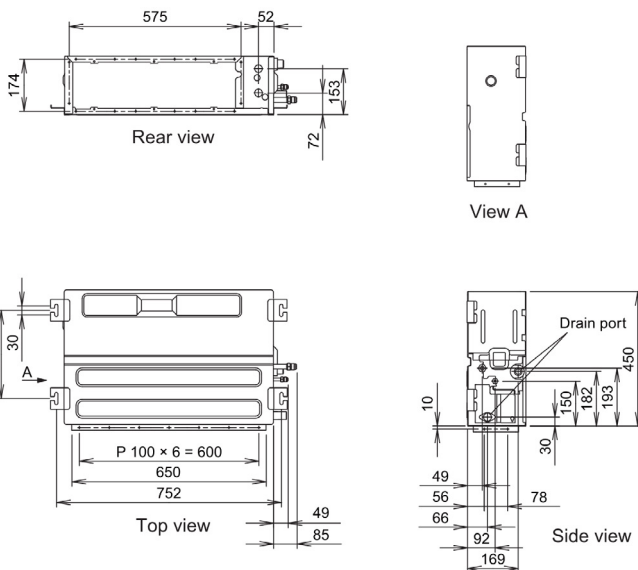
Unit Type	Mini Duct
Nominal Cooling Capacity (kW)	2.5
Height (mm)	198
Width (mm)	700
Depth (mm)	450
Weight (kg)	15.5
Static Pressure Ranget (Pa)	0 to 30
Airflow Rate - Cooling - High (m3/h)	600
Airflow Rate - Heating - High (m3/h)	600
Sound Pressure Level - Cooling - High (dB(A))	29
Sound Pressure Level - Cooling - Low (dB(A))	24
Sound Pressure Level - Heating - High (dB(A))	29
Sound Pressure Level - Heating - Low (dB(A))	24
Sound Power Level - Cooling - High (dB(A))	54
Sound Power Level - Heating - High (dB(A))	56
Refrigerant Type (Global Warming Potential)	R32 (675)
Liquid Pipe Size	1/4"
Gas Pipe Size	3/8"



### Document Downloads

[Air Distribution](#)
[Airflow](#)
[Controls & Accessories](#)
[Dimensional Drawing](#)
[Electrical Characteristics](#)
[Fan Curve](#)
[Function Settings](#)
[Inputs & Outputs](#)
[Installation Manual](#)
[Noise Curve](#)
[Operation Manual](#)
[Product Image](#)
[Spare Parts List All Pages](#)
[Specifications](#)
[Wiring Diagram](#)

Unit: mm



### Related Items

[AOYG14KBTA2](#)
[AOYG18KBTA2](#)
[AOYG18KBTA3](#)
[AOYG24KBTA3](#)
[AOYG30KBTA4](#)
[AOYG36KBTA5](#)
[UTYTFSXZ1](#)
[UTYRVNYM](#)
[UTYRHRY](#)
[UTYRSRY](#)
[UTYRSNYM](#)
[UTYLBTYM](#)
[UTYXSZX](#)
[UTYVTGX](#)
[UTYVTGXV](#)

- 4.0kW 2 Way Multi Outdoor Unit - R32 1 Ph
- 5.0kW 2 Way Multi Outdoor Unit - R32 1 Ph
- 5.4kW 3 Way Multi Outdoor Unit - R32 1 Ph
- 6.8kW 3 Way Multi Outdoor Unit - R32 1 Ph
- 8.0kW 4 Way Multi Outdoor Unit - R32 1 Ph
- 10.0kW 5 Way Multi Outdoor Unit - R32 1 Ph
- Wireless LAN interface
- LCD Wired Remote Controller
- Simple Remote Controller (without Master Control)
- Simple Remote Controller (with Master Control)
- Simplified Wired Remote Controller
- Infra-Red Receiver Kit, Receiver Wire -9710358012
- Remote Sensor Unit (for All Duct type)
- Splits Network Converter (DC Powered)
- Splits Network Converter (AC Powered)

\*Specifications and design are subject to change without notice for further improvement.  
 •Actual products' colors may be different from the colors shown in this printed material.

# ARXG12KSLAP

Please visit our webstore for full product and technical documentation 

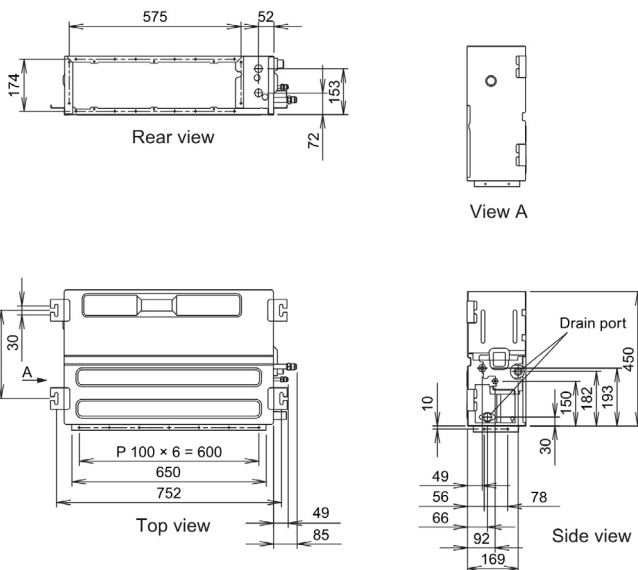
Unit Type	Mini Duct
Nominal Cooling Capacity (kW)	3.5
Height (mm)	198
Width (mm)	700
Depth (mm)	450
Weight (kg)	15.5
Static Pressure Ranget (Pa)	0 to 30
Airflow Rate - Cooling - High (m3/h)	650
Airflow Rate - Heating - High (m3/h)	650
Sound Pressure Level - Cooling - High (dB(A))	31
Sound Pressure Level - Cooling - Low (dB(A))	25
Sound Pressure Level - Heating - High (dB(A))	31
Sound Pressure Level - Heating - Low (dB(A))	25
Sound Power Level - Cooling - High (dB(A))	55
Sound Power Level - Heating - High (dB(A))	57
Refrigerant Type (Global Warming Potential)	R32 (675)
Liquid Pipe Size	1/4"
Gas Pipe Size	3/8"



### Document Downloads

[Air Distribution](#)
[Airflow](#)
[Controls & Accessories](#)
[Dimensional Drawing](#)
[Electrical Characteristics](#)
[Fan Curve](#)
[Function Settings](#)
[Inputs & Outputs](#)
[Installation Manual](#)
[Noise Curve](#)
[Operation Manual](#)
[Product Image](#)
[Spare Parts List All Pages](#)
[Specifications](#)
[Wiring Diagram](#)

Unit: mm



### Related Items

- [AOYG14KBTA2](#) 4.0kW 2 Way Multi Outdoor Unit - R32 1 Ph
- [AOYG18KBTA2](#) 5.0kW 2 Way Multi Outdoor Unit - R32 1 Ph
- [AOYG18KBTA3](#) 5.4kW 3 Way Multi Outdoor Unit - R32 1 Ph
- [AOYG24KBTA3](#) 6.8kW 3 Way Multi Outdoor Unit - R32 1 Ph
- [AOYG30KBTA4](#) 8.0kW 4 Way Multi Outdoor Unit - R32 1 Ph
- [AOYG36KBTA5](#) 10.0kW 5 Way Multi Outdoor Unit - R32 1 Ph
- [UTYTFSXZ1](#) Wireless LAN interface
- [UTYRVNYM](#) LCD Wired Remote Controller
- [UTYRHRY](#) Simple Remote Controller (without Master Control)
- [UTYRSRY](#) Simple Remote Controller (with Master Control)
- [UTYRSNYM](#) Simplified Wired Remote Controller
- [UTYLBTYM](#) Infra-Red Receiver Kit, Receiver Wire -9710358012
- [UTYXSZX](#) Remote Sensor Unit (for All Duct type)
- [UTYVTGX](#) Splits Network Converter (DC Powered)
- [UTYVTGXV](#) Splits Network Converter (AC Powered)

\*Specifications and design are subject to change without notice for further improvement.  
 •Actual products' colors may be different from the colors shown in this printed material.



## ARXG14KSLAP

Please visit our [webstore](#) for full product and technical documentation 

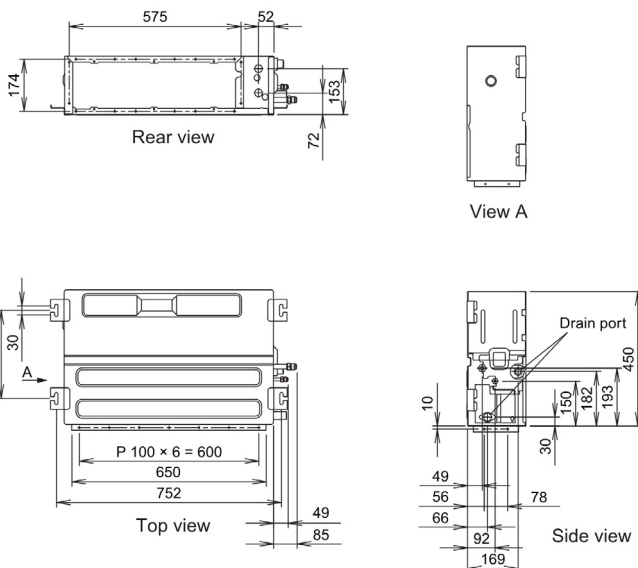
Unit Type	Mini Duct
Nominal Cooling Capacity (kW)	4.0
Height (mm)	198
Width (mm)	700
Depth (mm)	450
Weight (kg)	15.5
Static Pressure Ranget (Pa)	0 to 50
Airflow Rate - Cooling - High (m3/h)	800
Airflow Rate - Heating - High (m3/h)	800
Sound Pressure Level - Cooling - High (dB(A))	35
Sound Pressure Level - Cooling - Low (dB(A))	27
Sound Pressure Level - Heating - High (dB(A))	35
Sound Pressure Level - Heating - Low (dB(A))	27
Sound Power Level - Cooling - High (dB(A))	60
Sound Power Level - Heating - High (dB(A))	62
Refrigerant Type (Global Warming Potential)	R32 (675)
Liquid Pipe Size	1/4"
Gas Pipe Size	3/8"



### Document Downloads

[Air Distribution](#)
[Airflow](#)
[Controls & Accessories](#)
[Dimensional Drawing](#)
[Electrical Characteristics](#)
[Fan Curve](#)
[Function Settings](#)
[Inputs & Outputs](#)
[Installation Manual](#)
[Noise Curve](#)
[Operation Manual](#)
[Product Image](#)
[Spare Parts List All Pages](#)
[Specifications](#)
[Wiring Diagram](#)

Unit: mm



### Related Items

[AOYG14KBTA2](#)
[AOYG18KBTA2](#)
[AOYG18KBTA3](#)
[AOYG24KBTA3](#)
[AOYG30KBTA4](#)
[AOYG36KBTA5](#)
[UTYTFSXZ1](#)
[UTYRVNYM](#)
[UTYRHRH](#)
[UTYRSRY](#)
[UTYRSNYM](#)
[UTYLBTYM](#)
[UTYXSZX](#)
[UTYVTGX](#)
[UTYVTGXV](#)

- 4.0kW 2 Way Multi Outdoor Unit - R32 1 Ph
- 5.0kW 2 Way Multi Outdoor Unit - R32 1 Ph
- 5.4kW 3 Way Multi Outdoor Unit - R32 1 Ph
- 6.8kW 3 Way Multi Outdoor Unit - R32 1 Ph
- 8.0kW 4 Way Multi Outdoor Unit - R32 1 Ph
- 10.0kW 5 Way Multi Outdoor Unit - R32 1 Ph
- Wireless LAN interface
- LCD Wired Remote Controller
- Simple Remote Controller (without Master Control)
- Simple Remote Controller (with Master Control)
- Simplified Wired Remote Controller
- Infra-Red Receiver Kit, Receiver Wire -9710358012
- Remote Sensor Unit (for All Duct type)
- Splits Network Converter (DC Powered)
- Splits Network Converter (AC Powered)

\*Specifications and design are subject to change without notice for further improvement.  
 •Actual products' colors may be different from the colors shown in this printed material.

# ARXG18KSLAP

Please visit our webstore for full product and technical documentation 

Unit Type	Mini Duct
Nominal Cooling Capacity (kW)	5.0
Height (mm)	198
Width (mm)	900
Depth (mm)	450
Weight (kg)	18.5
Static Pressure Ranget (Pa)	0 to 50
Airflow Rate - Cooling - High (m3/h)	940
Airflow Rate - Heating - High (m3/h)	940
Sound Pressure Level - Cooling - High (dB(A))	33
Sound Pressure Level - Cooling - Low (dB(A))	26
Sound Pressure Level - Heating - High (dB(A))	33
Sound Pressure Level - Heating - Low (dB(A))	26
Sound Power Level - Cooling - High (dB(A))	58
Sound Power Level - Heating - High (dB(A))	59
Refrigerant Type (Global Warming Potential)	R32 (675)
Liquid Pipe Size	1/4"
Gas Pipe Size	1/2"



### Document Downloads

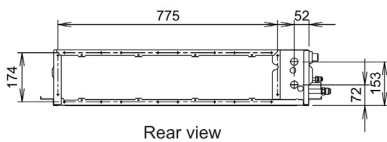
- [Airflow - Fan Curve](#)
- [Airflow](#)
- [Dimensional Drawing](#)
- [Installation Manual](#)
- [Noise Curve](#)
- [Operation Manual](#)
- [Product Image](#)
- [Spare Parts List All Pages](#)
- [Specifications](#)

[Wiring Diagram](#)

Unit: mm

### Related Items

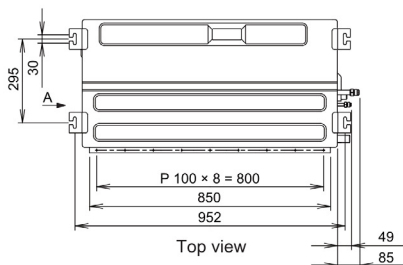
- [AOYG18KBTA3](#) 5.4kW 3 Way Multi Outdoor Unit - R32 1 Ph
- [AOYG24KBTA3](#) 6.8kW 3 Way Multi Outdoor Unit - R32 1 Ph
- [AOYG30KBTA4](#) 8.0kW 4 Way Multi Outdoor Unit - R32 1 Ph
- [AOYG36KBTA5](#) 10.0kW 5 Way Multi Outdoor Unit - R32 1 Ph
- [UTYTFXSZ1](#) Wireless LAN interface
- [UTYRVNYM](#) LCD Wired Remote Controller
- [UTYRHRY](#) Simple Remote Controller (without Master Control)
- [UTYRSRY](#) Simple Remote Controller (with Master Control)
- [UTYRSNYM](#) Simplified Wired Remote Controller
- [UTYLBTYM](#) Infra-Red Receiver Kit, Receiver Wire -9710358012
- [UTYXSZX](#) Remote Sensor Unit (for All Duct type)
- [UTYVTGX](#) Splits Network Converter (DC Powered)
- [UTYVTGXV](#) Splits Network Converter (AC Powered)



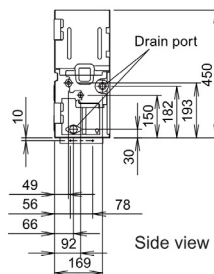
Rear view



View A



Top view



Side view

\*Specifications and design are subject to change without notice for further improvement.  
 •Actual products' colors may be different from the colors shown in this printed material.

### AOYG45LBLA6

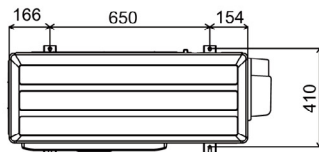
Please visit our [webstore](#) for full product and technical documentation 

Nominal Cooling Capacity (kW)	12.5
Nominal Heating Capacity (kW)	13.5
Maximum Connectable Indoor Units	6
EER	3.5
COP (Nominal Heating)	4
Height (mm)	998
Width (mm)	970
Depth (mm)	370
Weight (kg)	94
Sound Pressure Level - Cooling - High (dB(A))	53
Sound Pressure Level - Heating - High (dB(A))	55
Refrigerant Type (Global Warming Potential)	R410A (2,088)
Liquid Pipe Size	Depending on Indoor
Gas Pipe Size	Depending on Indoor
Max Pipe Length (m)	80 Total 25 Each Unit
Max Height Difference (m)	15
Refrigerant Charge (kg)	4
Refrigerant CO2eq-T	8.352
Unit Power Supply	1Ph-230V-50Hz
Cooling Mode Minimum Ambient (°C)	-10
Cooling Mode Maximum Ambient (°C)	46
Heating Mode Minimum Ambient (°C)	-15
Heating Mode Maximum Ambient (°C)	24

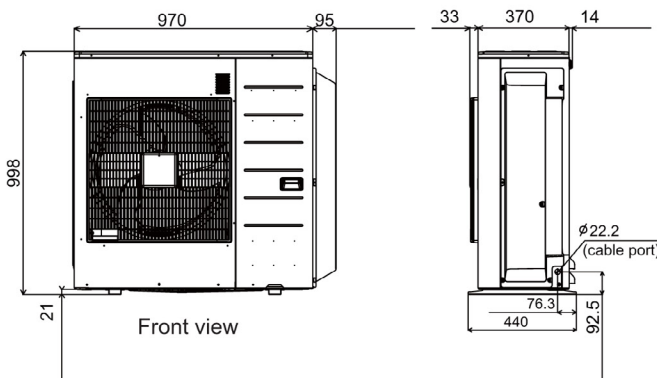
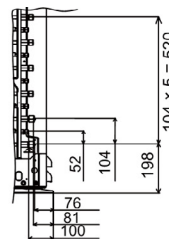


#### Document Downloads

- [Airflow](#)
- [Capacity Correction](#)
- [Capacity Tables](#)
- [Charging Details](#)
- [Controls & Accessories](#)
- [Design & Technical Manual](#)
- [Dimensional Drawing](#)
- [Electrical Characteristics](#)
- [Function Settings](#)
- [Indoor Unit Combinations](#)
- [Installation Manual](#)
- [Noise Curve](#)
- [Product Image](#)
- [Refrigerant Circuit](#)
- [Spare Parts List All Pages](#)
- [Specifications](#)
- [Wiring Diagram](#)



Top view



Front view

Rear view

Units: mm

\*Specifications and design are subject to change without notice for further improvement.

\*Actual products' colors may be different from the colors shown in this printed material.

### ARYG07LSLAP

Please visit our [webstore](#) for full product and technical documentation 

Unit Type	Mini Duct	
Remote Controller	IR Included	
Nominal Cooling Capacity	(kW)	2.0
Height	(mm)	198
Width	(mm)	700
Depth	(mm)	450
Weight	(kg)	15.5
Static Pressure Ranget	(Pa)	0 to 30
Airflow Rate - Cooling - High	(m3/h)	550
Airflow Rate - Heating - High	(m3/h)	550
Sound Pressure Level - Cooling - High	(dB(A))	29
Sound Pressure Level - Cooling - Low	(dB(A))	24
Sound Pressure Level - Heating - High	(dB(A))	29
Sound Pressure Level - Heating - Low	(dB(A))	24
Sound Power Level - Cooling - High	(dB(A))	52
Sound Power Level - Heating - High	(dB(A))	53
Refrigerant Type (Global Warming Potential)	R410A (2,088)	
Liquid Pipe Size	1/4"	
Gas Pipe Size	3/8"	
Unit Power Supply	From Outdoor Unit	

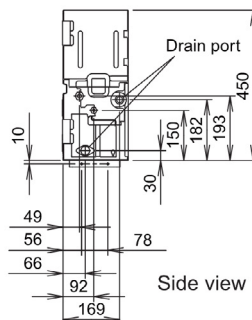
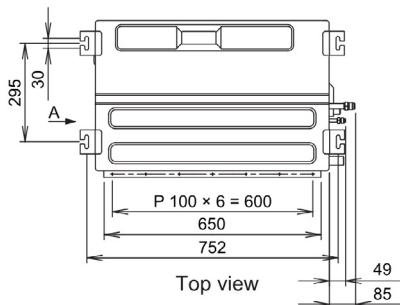
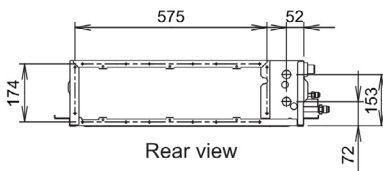


#### Document Downloads

- [Air Distribution](#)
- [Airflow](#)
- [Controls & Accessories](#)
- [Dimensional Drawing](#)
- [Electrical Characteristics](#)
- [Fan Curve](#)
- [Function Settings](#)
- [Inputs & Outputs](#)
- [Installation Manual](#)
- [Noise Curve](#)
- [Operation Manual](#)
- [Product Image](#)
- [Spare Parts List All Pages](#)
- [Specifications](#)
- [Wiring Diagram](#)

#### Related Items

- [AOYG45LBLA6](#) 12.5kW 6 Way Multi Outdoor Unit - R410A 1 Ph



\*Specifications and design are subject to change without notice for further improvement.  
 •Actual products' colors may be different from the colors shown in this printed material.

# ARYG09LSLAP

Please visit our [webstore](#) for full product and technical documentation 

Unit Type	Mini Duct	
Remote Controller	IR Included	
Nominal Cooling Capacity (kW)	2.5	
Height (mm)	198	
Width (mm)	700	
Depth (mm)	450	
Weight (kg)	15.5	
Static Pressure Ranget (Pa)	0 to 30	
Airflow Rate - Cooling - High (m3/h)	600	
Airflow Rate - Heating - High (m3/h)	600	
Sound Pressure Level - Cooling - High (dB(A))	29	
Sound Pressure Level - Cooling - Low (dB(A))	26	
Sound Pressure Level - Heating - High (dB(A))	29	
Sound Pressure Level - Heating - Low (dB(A))	24	
Sound Power Level - Cooling - High (dB(A))	54	
Sound Power Level - Heating - High (dB(A))	56	
Refrigerant Type (Global Warming Potential)	R410A (2,088)	
Liquid Pipe Size	1/4"	
Gas Pipe Size	3/8"	
Unit Power Supply	From Outdoor Unit	

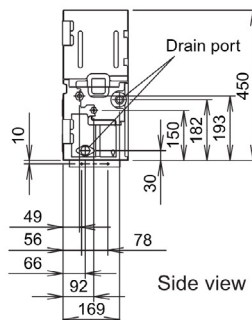
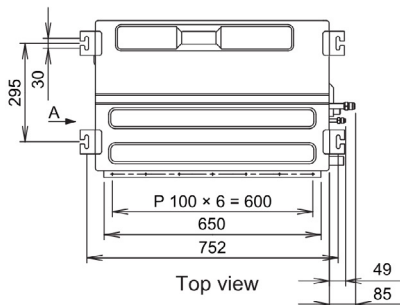
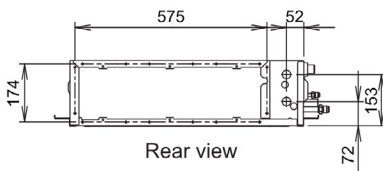


### Document Downloads

- [Air Distribution](#)
- [Noise Curve](#)
- [Airflow](#)
- [Operation Manual](#)
- [Controls & Accessories](#)
- [Product Image](#)
- [Dimensional Drawing](#)
- [Spare Parts List All Pages](#)
- [Electrical Characteristics](#)
- [Specifications](#)
- [Fan Curve](#)
- [Wiring Diagram](#)
- [Function Settings](#)
- [Inputs & Outputs](#)
- [Installation Manual](#)

### Related Items

- [AOYG45LBLA6](#) 12.5kW 6 Way Multi Outdoor Unit - R410A 1 Ph

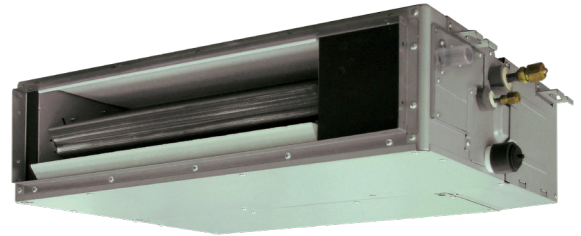


\*Specifications and design are subject to change without notice for further improvement.  
 •Actual products' colors may be different from the colors shown in this printed material.

## ARYG12LSLAP

Please visit our webstore for full product and technical documentation 

Unit Type	Slim Ducted	
Nominal Cooling Capacity (kW)		3.5
Nominal Heating Capacity (kW)		4.1
Height (mm)		198
Width (mm)		700
Depth (mm)		450
Weight (kg)		15.5
Standard Static Pressure (Pa)		10
Static Pressure Ranget (Pa)		0 to 30
Airflow Rate - Cooling - High (m3/h)		650
Airflow Rate - Heating - High (m3/h)		650
Sound Pressure Level - Cooling - High (dB(A))		31
Sound Pressure Level - Cooling - Low (dB(A))		23
Sound Pressure Level - Heating - High (dB(A))		31
Sound Pressure Level - Heating - Low (dB(A))		23
Sound Power Level - Cooling - High (dB(A))		55
Sound Power Level - Heating - High (dB(A))		57
Moisture Removal (l/h)		1.2
Refrigerant Type (Global Warming Potential)		R410A (2,088)
Liquid Pipe Size		1/4"
Gas Pipe Size		3/8"
Unit Power Supply		From Outdoor Unit



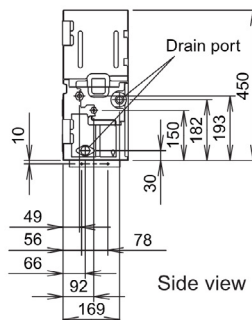
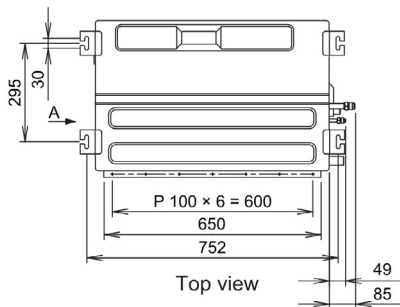
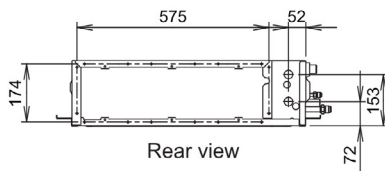
### Document Downloads

- [Airflow - Fan Curve](#)
- [Controls & Accessories](#)
- [Dimensional Drawing](#)
- [Electrical Characteristics](#)
- [Function Settings](#)
- [Inputs & Outputs](#)
- [Installation Manual](#)
- [Noise Curve](#)
- [Operation Manual](#)

- [Product Image](#)
- [Spare Parts List All Pages](#)
- [Specifications](#)
- [Wiring Diagram](#)

### Related Items

- [AOYG45LBLA6](#) 12.5kW 6 Way Multi Outdoor Unit - R410A 1 Ph

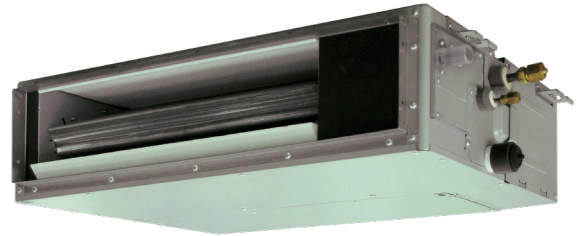


\*Specifications and design are subject to change without notice for further improvement.  
 •Actual products' colors may be different from the colors shown in this printed material.

### ARYG14LSLAP

Please visit our webstore for full product and technical documentation 

Unit Type	Slim Ducted	
Nominal Cooling Capacity (kW)		4.3
Nominal Heating Capacity (kW)		5.0
Height (mm)		198
Width (mm)		700
Depth (mm)		450
Weight (kg)		15.5
Standard Static Pressure (Pa)		15
Static Pressure Ranget (Pa)		0 to 50
Airflow Rate - Cooling - High (m3/h)		800
Airflow Rate - Heating - High (m3/h)		800
Sound Pressure Level - Cooling - High (dB(A))		35
Sound Pressure Level - Cooling - Low (dB(A))		23
Sound Pressure Level - Heating - High (dB(A))		35
Sound Pressure Level - Heating - Low (dB(A))		23
Sound Power Level - Cooling - High (dB(A))		60
Sound Power Level - Heating - High (dB(A))		62
Moisture Removal (l/h)		1.4
Refrigerant Type (Global Warming Potential)		R410A (2,088)
Liquid Pipe Size		1/4"
Gas Pipe Size		1/2"
Unit Power Supply		From Outdoor Unit



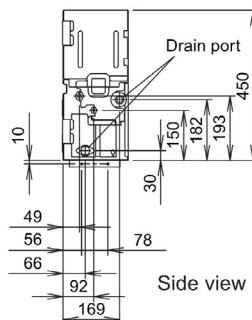
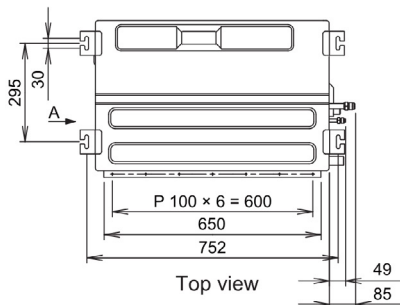
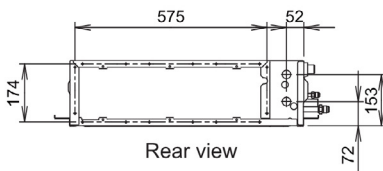
#### Document Downloads

- [Airflow - Fan Curve](#)
- [Controls & Accessories](#)
- [Dimensional Drawing](#)
- [Electrical Characteristics](#)
- [Function Settings](#)
- [Inputs & Outputs](#)
- [Installation Manual](#)
- [Noise Curve](#)
- [Operation Manual](#)

- [Product Image](#)
- [Spare Parts List All Pages](#)
- [Specifications](#)
- [Wiring Diagram](#)

#### Related Items

- [AOYG45LBLA6](#) 12.5kW 6 Way Multi Outdoor Unit - R410A 1 Ph



\*Specifications and design are subject to change without notice for further improvement.  
 •Actual products' colors may be different from the colors shown in this printed material.

### ARYG18LSLAP

Please visit our webstore for full product and technical documentation 

Unit Type	Slim Ducted	
Nominal Cooling Capacity (kW)	(kW)	5.2
Nominal Heating Capacity (kW)	(kW)	6.0
Height (mm)	(mm)	198
Width (mm)	(mm)	900
Depth (mm)	(mm)	450
Weight (kg)	(kg)	18.5
Standard Static Pressure (Pa)	(Pa)	15
Static Pressure Ranget (Pa)	(Pa)	0 to 50
Airflow Rate - Cooling - High (m3/h)	(m3/h)	940
Airflow Rate - Heating - High (m3/h)	(m3/h)	940
Sound Pressure Level - Cooling - High (dB(A))	(dB(A))	33
Sound Pressure Level - Cooling - Low (dB(A))	(dB(A))	23
Sound Pressure Level - Heating - High (dB(A))	(dB(A))	33
Sound Pressure Level - Heating - Low (dB(A))	(dB(A))	23
Sound Power Level - Cooling - High (dB(A))	(dB(A))	58
Sound Power Level - Heating - High (dB(A))	(dB(A))	59
Moisture Removal (l/h)	(l/h)	1.8
Refrigerant Type (Global Warming Potential)		R410A (2,088)
Liquid Pipe Size		1/4"
Gas Pipe Size		1/2"
Unit Power Supply		From Outdoor Unit



#### Document Downloads

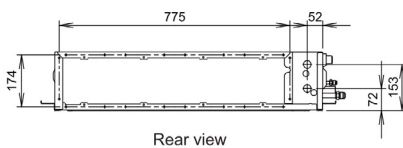
- [Airflow - Fan Curve](#)
- [Controls & Accessories](#)
- [Dimensional Drawing](#)
- [Electrical Characteristics](#)
- [Function Settings](#)
- [Inputs & Outputs](#)
- [Installation Manual](#)
- [Noise Curve](#)
- [Operation Manual](#)

- [Product Image](#)
- [Spare Parts List All Pages](#)
- [Specifications](#)
- [Wiring Diagram](#)

#### Related Items

- [AOYG45LBLA6](#) 12.5kW 6 Way Multi Outdoor Unit - R410A 1 Ph

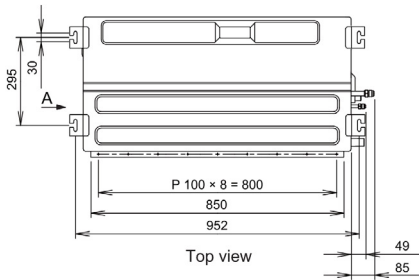
Unit: mm



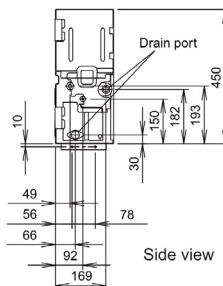
Rear view



View A



Top view



Side view

\*Specifications and design are subject to change without notice for further improvement.  
 •Actual products' colors may be different from the colors shown in this printed material.



### ARYG07LLTA

Please visit our webstore for full product and technical documentation 

Unit Type	Slim Ducted	
Nominal Cooling Capacity (kW)		2.0
Height (mm)		198
Width (mm)		700
Depth (mm)		620
Weight (kg)		17
Static Pressure Ranget (Pa)		0 to 90
Airflow Rate - Cooling - High (m3/h)		550
Airflow Rate - Heating - High (m3/h)		550
Sound Pressure Level - Cooling - High (dB(A))		28
Sound Pressure Level - Cooling - Low (dB(A))		25
Sound Pressure Level - Heating - High (dB(A))		28
Sound Pressure Level - Heating - Low (dB(A))		25
Sound Power Level - Cooling - High (dB(A))		57
Sound Power Level - Heating - High (dB(A))		57
Refrigerant Type (Global Warming Potential)	R410A (2,088)	
Liquid Pipe Size	1/4"	
Gas Pipe Size	3/8"	
Unit Power Supply	From Outdoor Unit	

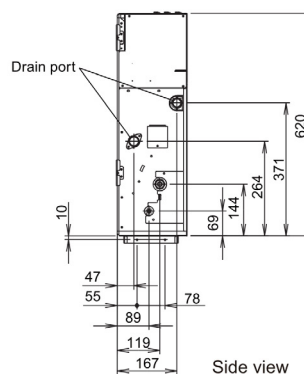
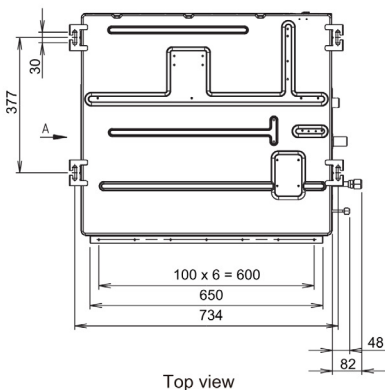
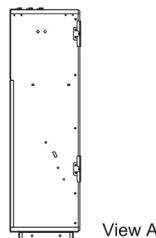
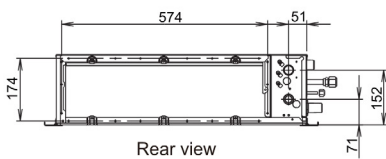


#### Document Downloads

- [Air Distribution](#)
- [Airflow](#)
- [Controls & Accessories](#)
- [Dimensional Drawing](#)
- [Electrical Characteristics](#)
- [Fan Curve](#)
- [Function Settings](#)
- [Installation Manual](#)
- [Noise Curve](#)
- [Operation Manual](#)
- [Product Image](#)
- [Spare Parts List All Pages](#)
- [Specifications](#)
- [Wiring Diagram](#)

#### Related Items

- [AOYG45LBLA6](#) 12.5kW 6 Way Multi Outdoor Unit - R410A 1 Ph



\*Specifications and design are subject to change without notice for further improvement.  
 •Actual products' colors may be different from the colors shown in this printed material.

### ARYG09LLTA

Please visit our webstore for full product and technical documentation 

Unit Type	Slim Ducted	
Nominal Cooling Capacity (kW)		2.5
Nominal Heating Capacity (kW)		
Height (mm)		198
Width (mm)		700
Depth (mm)		620
Weight (kg)		19
Static Pressure Ranget (Pa)		0 to 90
Airflow Rate - Cooling - High (m3/h)		600
Airflow Rate - Heating - High (m3/h)		600
Sound Pressure Level - Cooling - High (dB(A))		28
Sound Pressure Level - Cooling - Low (dB(A))		25
Sound Pressure Level - Heating - High (dB(A))		28
Sound Pressure Level - Heating - Low (dB(A))		25
Sound Power Level - Cooling - High (dB(A))		57
Sound Power Level - Heating - High (dB(A))		57
Refrigerant Type (Global Warming Potential)	R410A (2,088)	
Liquid Pipe Size	1/4"	
Gas Pipe Size	3/8"	
Unit Power Supply	From Outdoor Unit	

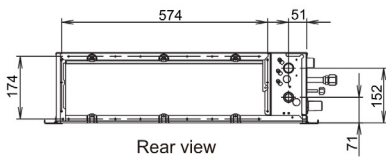


#### Document Downloads

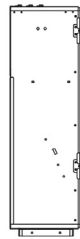
- [Air Distribution](#)
- [Airflow](#)
- [Controls & Accessories](#)
- [Dimensional Drawing](#)
- [Electrical Characteristics](#)
- [Fan Curve](#)
- [Function Settings](#)
- [Installation Manual](#)
- [Noise Curve](#)
- [Operation Manual](#)
- [Product Image](#)
- [Spare Parts List All Pages](#)
- [Specifications](#)
- [Wiring Diagram](#)

#### Related Items

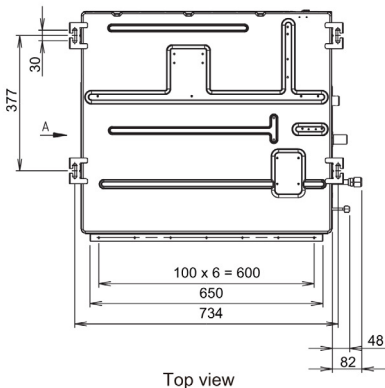
- [AOYG45LBLA6](#) 12.5kW 6 Way Multi Outdoor Unit - R410A 1 Ph



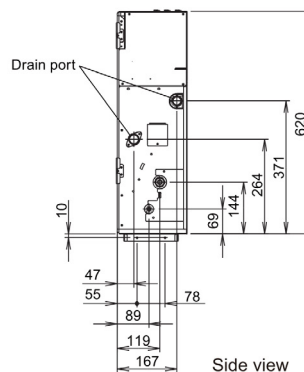
Rear view



View A



Top view



Side view

\*Specifications and design are subject to change without notice for further improvement.

\*Actual products' colors may be different from the colors shown in this printed material.

### ARYG12LLTB

Please visit our webstore for full product and technical documentation 

Unit Type	Slim Ducted	
Nominal Cooling Capacity (kW)		3.5
Nominal Heating Capacity (kW)		4.1
Height (mm)		198
Width (mm)		700
Depth (mm)		620
Weight (kg)		19
Standard Static Pressure (Pa)		25
Static Pressure Ranget (Pa)		0 to 90
Airflow Rate - Cooling - High (m3/h)		650
Airflow Rate - Heating - High (m3/h)		650
Sound Pressure Level - Cooling - High (dB(A))		29
Sound Pressure Level - Cooling - Low (dB(A))		25
Sound Pressure Level - Heating - High (dB(A))		29
Sound Pressure Level - Heating - Low (dB(A))		24
Sound Power Level - Cooling - High (dB(A))		58
Sound Power Level - Heating - High (dB(A))		58
Moisture Removal (l/h)		1.3
Refrigerant Type (Global Warming Potential)		R410A (2,088)
Liquid Pipe Size		1/4"
Gas Pipe Size		3/8"
Unit Power Supply	From Outdoor Unit	



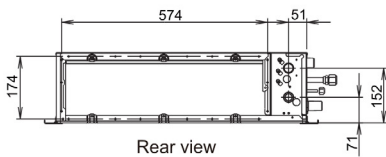
#### Document Downloads

- [Airflow - Fan Curve](#)
- [Controls & Accessories](#)
- [Dimensional Drawing](#)
- [Electrical Characteristics](#)
- [Function Settings](#)
- [Inputs & Outputs](#)
- [Installation Manual](#)
- [Noise Curve](#)
- [Operation Manual](#)

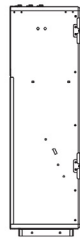
- [Product Image](#)
- [Spare Parts List All Pages](#)
- [Specifications](#)
- [Wiring Diagram](#)

#### Related Items

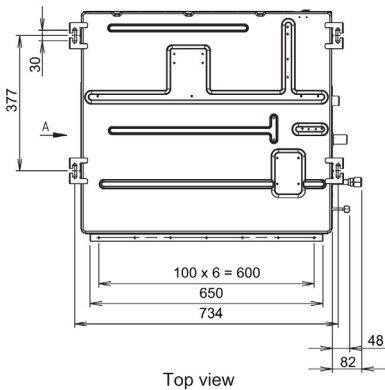
- [AOYG45LBLA6](#) 12.5kW 6 Way Multi Outdoor Unit - R410A 1 Ph



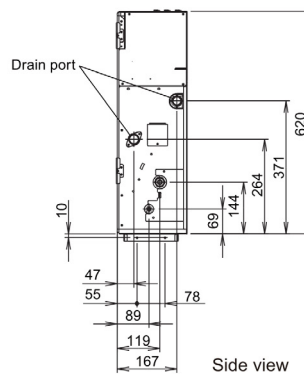
Rear view



View A



Top view



Side view

\*Specifications and design are subject to change without notice for further improvement.

\*Actual products' colors may be different from the colors shown in this printed material.

### ARYG14LLTB

Please visit our webstore for full product and technical documentation 

Unit Type		Slim Ducted
Nominal Cooling Capacity	(kW)	4.3
Nominal Heating Capacity	(kW)	5.0
Height	(mm)	198
Width	(mm)	700
Depth	(mm)	620
Weight	(kg)	19
Standard Static Pressure	(Pa)	25
Static Pressure Ranget	(Pa)	0 to 90
Airflow Rate - Cooling - High	(m3/h)	800
Airflow Rate - Heating - High	(m3/h)	800
Sound Pressure Level - Cooling - High	(dB(A))	32
Sound Pressure Level - Cooling - Low	(dB(A))	26
Sound Pressure Level - Heating - High	(dB(A))	32
Sound Pressure Level - Heating - Low	(dB(A))	25
Sound Power Level - Cooling - High	(dB(A))	60
Sound Power Level - Heating - High	(dB(A))	60
Moisture Removal	(l/h)	1.5
Refrigerant Type (Global Warming Potential)		R410A (2,088)
Liquid Pipe Size		1/4"
Gas Pipe Size		1/2"
Unit Power Supply		From Outdoor Unit



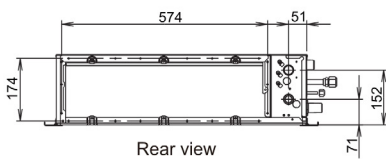
#### Document Downloads

- [Airflow - Fan Curve](#)
- [Controls & Accessories](#)
- [Dimensional Drawing](#)
- [Electrical Characteristics](#)
- [Function Settings](#)
- [Inputs & Outputs](#)
- [Installation Manual](#)
- [Noise Curve](#)
- [Operation Manual](#)

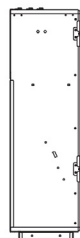
- [Product Image](#)
- [Spare Parts List All Pages](#)
- [Specifications](#)
- [Wiring Diagram](#)

#### Related Items

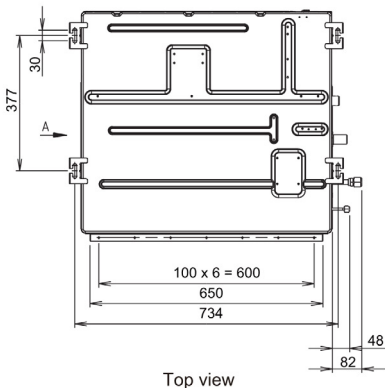
- [AOYG45LBLA6](#) 12.5kW 6 Way Multi Outdoor Unit - R410A 1 Ph



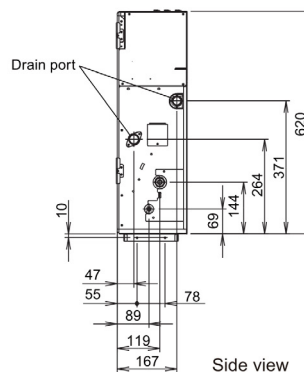
Rear view



View A



Top view



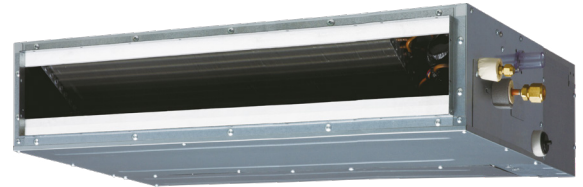
Side view

\*Specifications and design are subject to change without notice for further improvement.  
 •Actual products' colors may be different from the colors shown in this printed material.

### ARYG18LLTB

Please visit our webstore for full product and technical documentation 

Unit Type	Slim Ducted	
Nominal Cooling Capacity (kW)		5.2
Nominal Heating Capacity (kW)		6.0
Height (mm)		198
Width (mm)		900
Depth (mm)		620
Weight (kg)		23
Standard Static Pressure (Pa)		25
Static Pressure Ranget (Pa)		0 to 90
Airflow Rate - Cooling - High (m3/h)		940
Airflow Rate - Heating - High (m3/h)		940
Sound Pressure Level - Cooling - High (dB(A))		32
Sound Pressure Level - Cooling - Low (dB(A))		27
Sound Pressure Level - Heating - High (dB(A))		32
Sound Pressure Level - Heating - Low (dB(A))		27
Sound Power Level - Cooling - High (dB(A))		58
Sound Power Level - Heating - High (dB(A))		58
Moisture Removal (l/h)		2
Refrigerant Type (Global Warming Potential)	R410A (2,088)	
Liquid Pipe Size	1/4"	
Gas Pipe Size	1/2"	
Unit Power Supply	From Outdoor Unit	



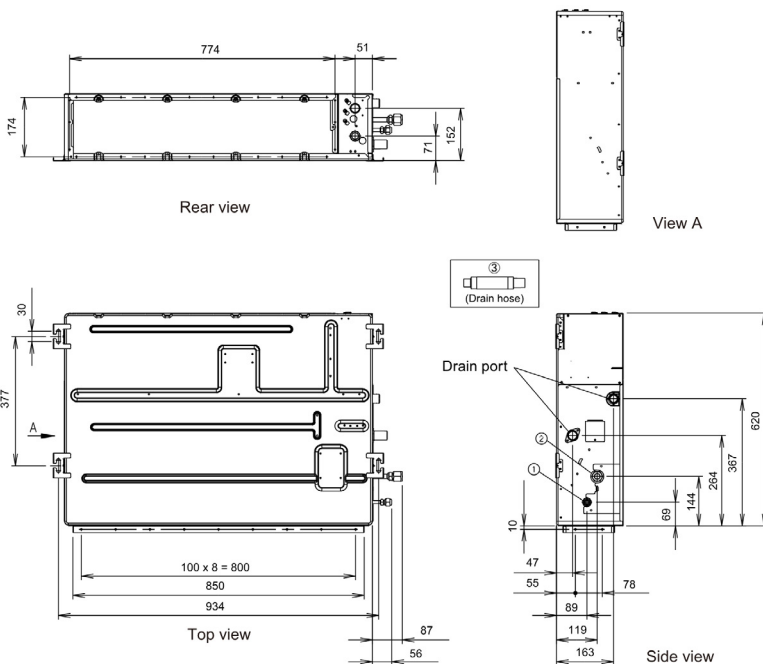
#### Document Downloads

- [Airflow - Fan Curve](#)
- [Controls & Accessories](#)
- [Dimensional Drawing](#)
- [Electrical Characteristics](#)
- [Function Settings](#)
- [Inputs & Outputs](#)
- [Installation Manual](#)
- [Noise Curve](#)
- [Operation Manual](#)

- [Product Image](#)
- [Spare Parts List All Pages](#)
- [Specifications](#)
- [Wiring Diagram](#)

#### Related Items

- [AOYG45LBLA6](#) 12.5kW 6 Way Multi Outdoor Unit - R410A 1 Ph



\*Specifications and design are subject to change without notice for further improvement.  
 •Actual products' colors may be different from the colors shown in this printed material.

### ASYG07LLCE

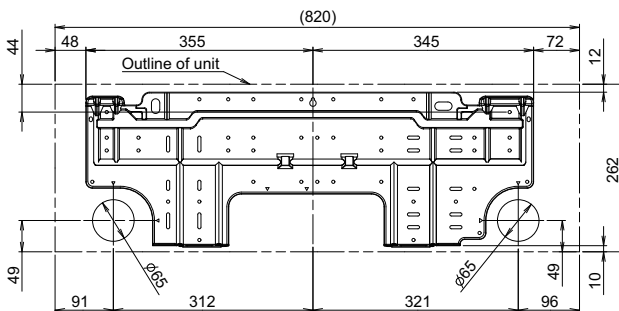
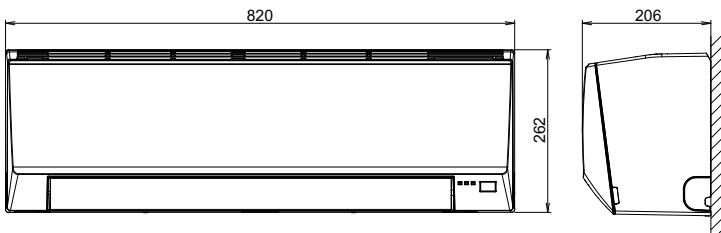
Please visit our webstore for full product and technical documentation 

Unit Type	Wall Mounted
Remote Controller	IR Included
Nominal Cooling Capacity (kW)	2.0
Nominal Heating Capacity (kW)	2.7
Height (mm)	262
Width (mm)	820
Depth (mm)	206
Weight (kg)	7
Airflow Rate - Cooling - High (m <sup>3</sup> /h)	720
Airflow Rate - Heating - High (m <sup>3</sup> /h)	740
Sound Pressure Level - Cooling - High (dB(A))	43
Sound Pressure Level - Cooling - Low (dB(A))	22
Sound Pressure Level - Heating - High (dB(A))	43
Sound Pressure Level - Heating - Low (dB(A))	22
Sound Power Level - Cooling - High (dB(A))	59
Sound Power Level - Heating - High (dB(A))	60
Moisture Removal (l/h)	1
Refrigerant Type (Global Warming Potential)	R410A (2,088)
Liquid Pipe Size	1/4"
Gas Pipe Size	3/8"
Unit Power Supply	From Outdoor Unit



#### Document Downloads

- [Airflow - Fan Curve](#)
- [Controls & Accessories](#)
- [Dimensional Drawing](#)
- [Function Settings](#)
- [Noise Curve](#)
- [Product Image](#)
- [Spare Parts List All Pages](#)
- [Specifications](#)
- [Wiring Diagram](#)

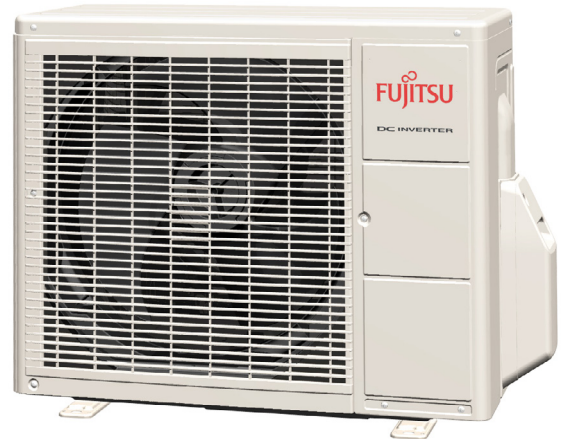


\*Specifications and design are subject to change without notice for further improvement.  
 •Actual products' colors may be different from the colors shown in this printed material.

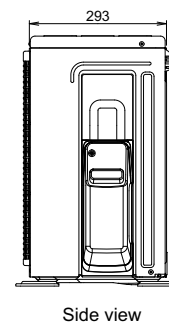
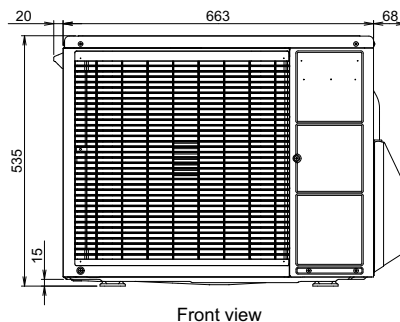
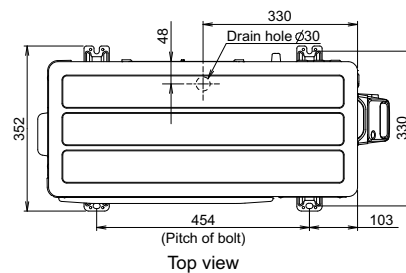
### AOYG07LLCE

Please visit our webstore for full product and technical documentation 

Nominal Cooling Capacity	(kW)	2.0
Nominal Heating Capacity	(kW)	2.7
Height	(mm)	535
Width	(mm)	663
Depth	(mm)	293
Weight	(kg)	24
Airflow Rate - Cooling - High	(m3/h)	1670
Airflow Rate - Heating - High	(m3/h)	1470
Sound Pressure Level - Cooling - High	(dB(A))	47
Sound Pressure Level - Heating - High	(dB(A))	48
Sound Power Level - Cooling - High	(dB(A))	61
Sound Power Level - Heating - High	(dB(A))	61
Refrigerant Type (Global Warming Potential)		R410A (2,088)
Liquid Pipe Size		1/4"
Gas Pipe Size		3/8"
Max Pipe Length	(m)	20
Max Height Difference	(m)	15
Refrigerant Charge	(kg)	0.65
Refrigerant CO2eq-T		1.357
Precharged For	(m)	15
Additional Charge	(g/m)	20
Unit Power Supply		1Ph-230V-50Hz
Suggested Fuse Size	(A)	10
Cooling Mode Minimum Ambient	(°C)	-10
Cooling Mode Maximum Ambient	(°C)	43
Heating Mode Minimum Ambient	(°C)	-15
Heating Mode Maximum Ambient	(°C)	24



#### Document Downloads

[Accessories](#)
[Wiring Diagram](#)
[Airflow](#)
[Capacity Correction](#)
[Dimensional Drawing](#)
[Noise Curve](#)
[Product Image](#)
[Refrigerant Circuit](#)
[Spare Parts List All Pages](#)
[Specifications](#)


Units: mm

\*Specifications and design are subject to change without notice for further improvement.

\*Actual products' colors may be different from the colors shown in this printed material.

### ASYG09LLCE

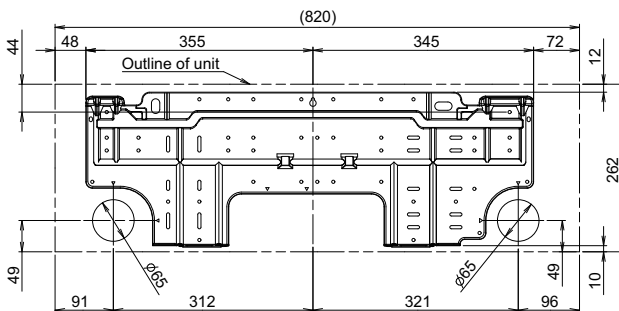
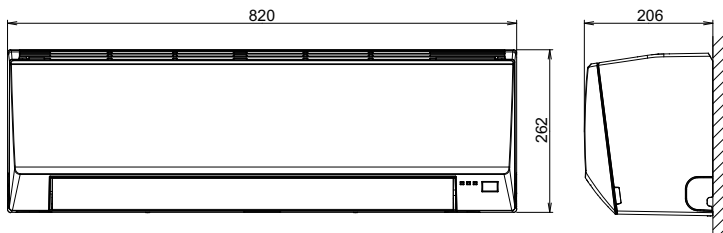
Please visit our [webstore](#) for full product and technical documentation 

Unit Type	Wall Mounted
Remote Controller	IR Included
Nominal Cooling Capacity (kW)	2.5
Nominal Heating Capacity (kW)	3.0
Height (mm)	262
Width (mm)	820
Depth (mm)	206
Weight (kg)	7
Airflow Rate - Cooling - High (m <sup>3</sup> /h)	720
Airflow Rate - Heating - High (m <sup>3</sup> /h)	740
Sound Pressure Level - Cooling - High (dB(A))	43
Sound Pressure Level - Cooling - Low (dB(A))	22
Sound Pressure Level - Heating - High (dB(A))	43
Sound Pressure Level - Heating - Low (dB(A))	22
Sound Power Level - Cooling - High (dB(A))	59
Sound Power Level - Heating - High (dB(A))	60
Moisture Removal (l/h)	1.3
Refrigerant Type (Global Warming Potential)	R410A (2,088)
Liquid Pipe Size	1/4"
Gas Pipe Size	3/8"
Unit Power Supply	From Outdoor Unit



#### Document Downloads


- [Airflow - Fan Curve](#)
- [Controls & Accessories](#)
- [Dimensional Drawing](#)
- [Function Settings](#)
- [Noise Curve](#)
- [Product Image](#)
- [Spare Parts List All Pages](#)
- [Specifications](#)
- [Wiring Diagram](#)



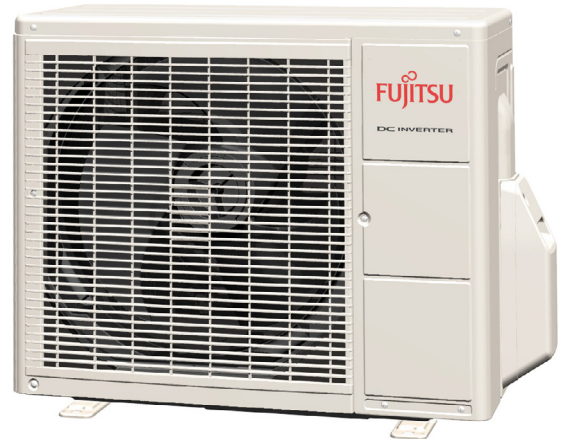
\*Specifications and design are subject to change without notice for further improvement.  
 •Actual products' colors may be different from the colors shown in this printed material.



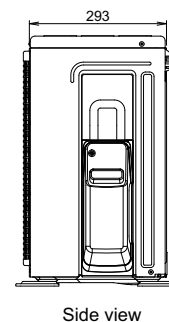
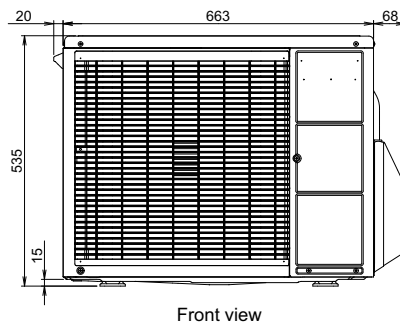
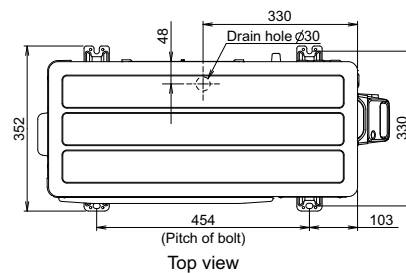
### AOYG09LLCE

Please visit our webstore for full product and technical documentation 

Nominal Cooling Capacity	(kW)	2.5
Nominal Heating Capacity	(kW)	3.0
Height	(mm)	535
Width	(mm)	663
Depth	(mm)	293
Weight	(kg)	24
Airflow Rate - Cooling - High	(m3/h)	1670
Airflow Rate - Heating - High	(m3/h)	1470
Sound Pressure Level - Cooling - High	(dB(A))	47
Sound Pressure Level - Heating - High	(dB(A))	48
Sound Power Level - Cooling - High	(dB(A))	61
Sound Power Level - Heating - High	(dB(A))	61
Refrigerant Type (Global Warming Potential)		R410A (2,088)
Liquid Pipe Size		1/4"
Gas Pipe Size		3/8"
Max Pipe Length	(m)	20
Max Height Difference	(m)	15
Refrigerant Charge	(kg)	0.65
Refrigerant CO2eq-T		1.357
Precharged For	(m)	15
Additional Charge	(g/m)	20
Unit Power Supply		1Ph-230V-50Hz
Suggested Fuse Size	(A)	10
Cooling Mode Minimum Ambient	(°C)	-10
Cooling Mode Maximum Ambient	(°C)	43
Heating Mode Minimum Ambient	(°C)	-15
Heating Mode Maximum Ambient	(°C)	24



#### Document Downloads

[Accessories](#)
[Wiring Diagram](#)
[Airflow](#)
[Capacity Correction](#)
[Dimensional Drawing](#)
[Noise Curve](#)
[Product Image](#)
[Refrigerant Circuit](#)
[Spare Parts List All Pages](#)
[Specifications](#)


Units: mm

\*Specifications and design are subject to change without notice for further improvement.

\*Actual products' colors may be different from the colors shown in this printed material.

### ASYG12LLCE

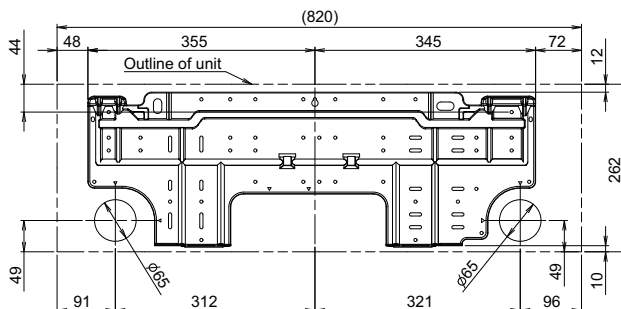
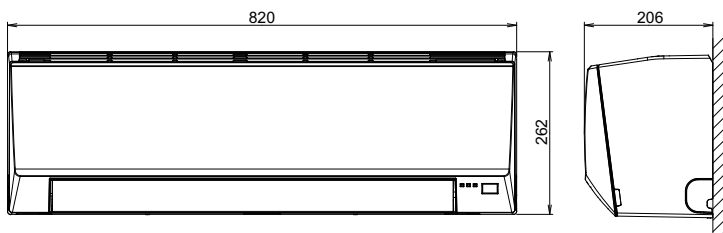
Please visit our webstore for full product and technical documentation 

Unit Type	Wall Mounted
Remote Controller	IR Included
Nominal Cooling Capacity (kW)	3.4
Nominal Heating Capacity (kW)	4.0
Height (mm)	262
Width (mm)	820
Depth (mm)	206
Weight (kg)	7
Airflow Rate - Cooling - High (m <sup>3</sup> /h)	720
Airflow Rate - Heating - High (m <sup>3</sup> /h)	740
Sound Pressure Level - Cooling - High (dB(A))	43
Sound Pressure Level - Cooling - Low (dB(A))	22
Sound Pressure Level - Heating - High (dB(A))	43
Sound Pressure Level - Heating - Low (dB(A))	22
Sound Power Level - Cooling - High (dB(A))	59
Sound Power Level - Heating - High (dB(A))	60
Moisture Removal (l/h)	1.8
Refrigerant Type (Global Warming Potential)	R410A (2,088)
Liquid Pipe Size	1/4"
Gas Pipe Size	3/8"
Unit Power Supply	From Outdoor Unit



#### Document Downloads

- [Airflow - Fan Curve](#)
- [Controls & Accessories](#)
- [Dimensional Drawing](#)
- [Function Settings](#)
- [Noise Curve](#)
- [Product Image](#)
- [Spare Parts List All Pages](#)
- [Specifications](#)
- [Wiring Diagram](#)

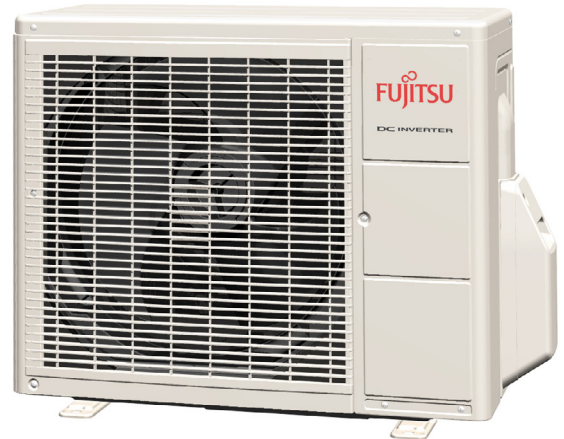


\*Specifications and design are subject to change without notice for further improvement.  
 •Actual products' colors may be different from the colors shown in this printed material.

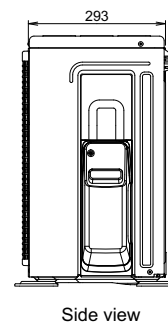
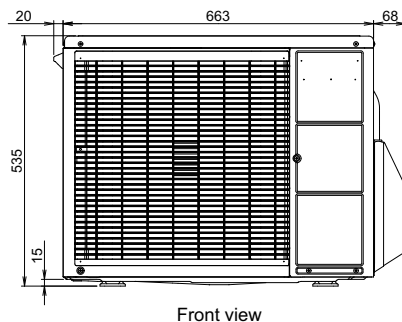
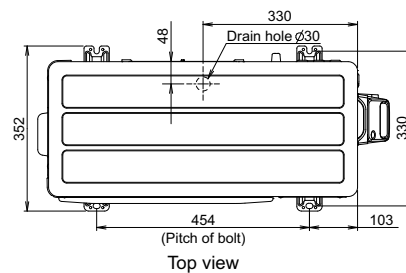
### AOYG12LLCE

Please visit our webstore for full product and technical documentation 

Nominal Cooling Capacity	(kW)	3.4
Nominal Heating Capacity	(kW)	4.0
Height	(mm)	535
Width	(mm)	663
Depth	(mm)	293
Weight	(kg)	26
Airflow Rate - Cooling - High	(m <sup>3</sup> /h)	1830
Airflow Rate - Heating - High	(m <sup>3</sup> /h)	1600
Sound Pressure Level - Cooling - High	(dB(A))	50
Sound Pressure Level - Heating - High	(dB(A))	51
Sound Power Level - Cooling - High	(dB(A))	65
Sound Power Level - Heating - High	(dB(A))	65
Refrigerant Type (Global Warming Potential)		R410A (2,088)
Liquid Pipe Size		1/4"
Gas Pipe Size		3/8"
Max Pipe Length	(m)	20
Max Height Difference	(m)	15
Refrigerant Charge	(kg)	0.85
Refrigerant CO <sub>2</sub> eq-T		1.775
Precharged For	(m)	15
Additional Charge	(g/m)	20
Unit Power Supply		1Ph-230V-50Hz
Suggested Fuse Size	(A)	10
Cooling Mode Minimum Ambient	(°C)	-10
Cooling Mode Maximum Ambient	(°C)	43
Heating Mode Minimum Ambient	(°C)	-15
Heating Mode Maximum Ambient	(°C)	24



#### Document Downloads

[Accessories](#)
[Airflow](#)
[Capacity Correction](#)
[Dimensional Drawing](#)
[Noise Curve](#)
[Product Image](#)
[Refrigerant Circuit](#)
[Spare Parts List All Pages](#)
[Specifications](#)
[Wiring Diagram](#)


Units: mm

\*Specifications and design are subject to change without notice for further improvement.

\*Actual products' colors may be different from the colors shown in this printed material.

### ASYG07LMCE

Please visit our webstore for full product and technical documentation 

Unit Type	Wall Mounted
Remote Controller	IR Included
Nominal Cooling Capacity (kW)	2.0
Nominal Heating Capacity (kW)	3.0
Height (mm)	270
Width (mm)	870
Depth (mm)	204
Weight (kg)	8.5
Airflow Rate - Cooling - High (m <sup>3</sup> /h)	750
Airflow Rate - Heating - High (m <sup>3</sup> /h)	750
Sound Pressure Level - Cooling - High (dB(A))	43
Sound Pressure Level - Cooling - Low (dB(A))	21
Sound Pressure Level - Heating - High (dB(A))	43
Sound Pressure Level - Heating - Low (dB(A))	22
Sound Power Level - Cooling - High (dB(A))	59
Sound Power Level - Heating - High (dB(A))	59
Moisture Removal (l/h)	1
Refrigerant Type (Global Warming Potential)	R410A (2,088)
Liquid Pipe Size	1/4"
Gas Pipe Size	3/8"
Unit Power Supply	From Outdoor Unit



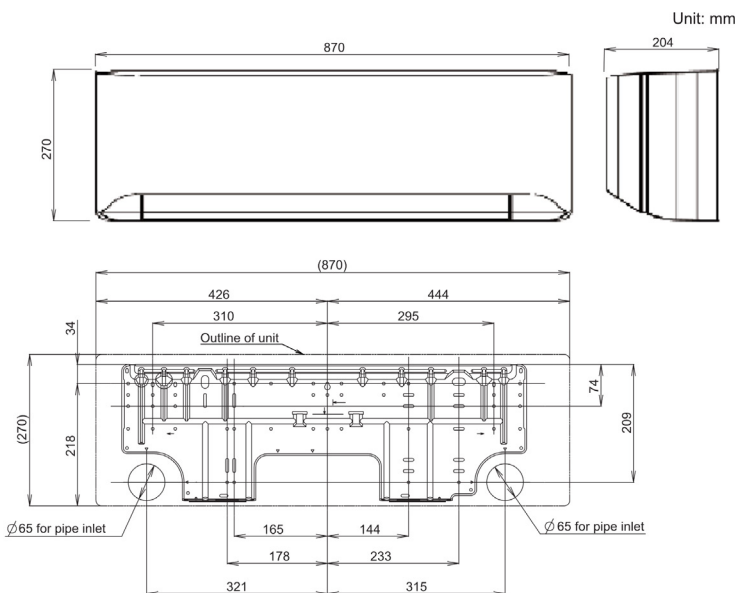
#### Document Downloads

- [Airflow - Fan Curve](#)
- [Controls & Accessories](#)
- [Dimensional Drawing](#)
- [Electrical Characteristics](#)
- [Function Settings](#)
- [Inputs & Outputs](#)
- [Installation Manual](#)
- [Noise Curve](#)
- [Operation Manual](#)

- [Product Image](#)
- [Spare Parts List All Pages](#)
- [Specifications](#)
- [Wiring Diagram](#)

#### Related Items

- [AOYG45LBLA6](#) 12.5kW 6 Way Multi Outdoor Unit - R410A 1 Ph

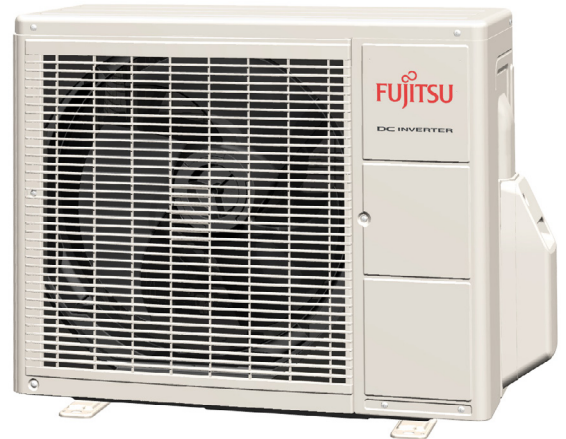


\*Specifications and design are subject to change without notice for further improvement.  
 •Actual products' colors may be different from the colors shown in this printed material.

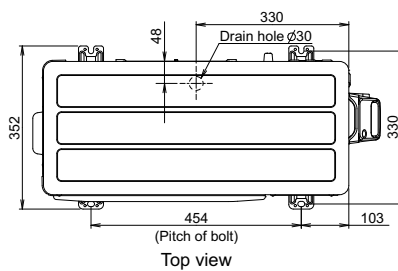
### AOYG07LMCE

Please visit our [webstore](#) for full product and technical documentation 

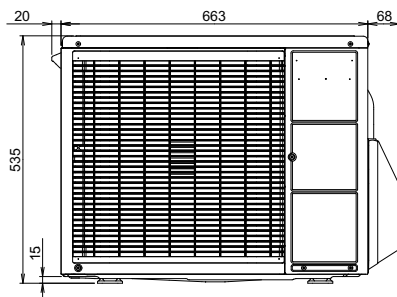
Nominal Cooling Capacity	(kW)	2.0
Nominal Heating Capacity	(kW)	3.0
Height	(mm)	535
Width	(mm)	663
Depth	(mm)	293
Weight	(kg)	21
Airflow Rate - Cooling - High	(m <sup>3</sup> /h)	1670
Airflow Rate - Heating - High	(m <sup>3</sup> /h)	1470
Sound Pressure Level - Cooling - High	(dB(A))	45
Sound Pressure Level - Heating - High	(dB(A))	45
Sound Power Level - Cooling - High	(dB(A))	58
Sound Power Level - Heating - High	(dB(A))	56
Refrigerant Type (Global Warming Potential)		R410A (2,088)
Liquid Pipe Size		1/4"
Gas Pipe Size		3/8"
Min - Max Pipe Length	(m)	5 - 20
Max Height Difference	(m)	15
Refrigerant Charge	(kg)	0.7
Refrigerant CO <sub>2</sub> eq-T		1.462
Precharged For	(m)	15
Additional Charge	(g/m)	20
Unit Power Supply		1Ph-230V-50Hz
Suggested Fuse Size	(A)	10
Cooling Mode Minimum Ambient	(°C)	-10
Cooling Mode Maximum Ambient	(°C)	43
Heating Mode Minimum Ambient	(°C)	-15
Heating Mode Maximum Ambient	(°C)	24



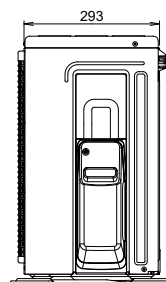
#### Document Downloads

[Accessories](#)
[Airflow](#)
[Capacity Correction](#)
[Charging Details](#)
[Controls & Accessories](#)
[Design & Technical Manual](#)
[Dimensional Drawing](#)
[Electrical Characteristics](#)
[Installation Manual](#)
[Installation Space](#)
[Noise Curve](#)
[Product Image](#)
[Refrigerant Circuit](#)
[Spare Parts List All Pages](#)
[Specifications](#)
[Wiring Diagram](#)


Top view



Front view



Side view

Units: mm

\*Specifications and design are subject to change without notice for further improvement.

\*Actual products' colors may be different from the colors shown in this printed material.

### ASYG09LMCE

Please visit our webstore for full product and technical documentation 

Unit Type	Wall Mounted
Remote Controller	IR Included
Nominal Cooling Capacity (kW)	2.5
Nominal Heating Capacity (kW)	3.2
Height (mm)	270
Width (mm)	870
Depth (mm)	204
Weight (kg)	8.5
Airflow Rate - Cooling - High (m <sup>3</sup> /h)	750
Airflow Rate - Heating - High (m <sup>3</sup> /h)	750
Sound Pressure Level - Cooling - High (dB(A))	43
Sound Pressure Level - Cooling - Low (dB(A))	21
Sound Pressure Level - Heating - High (dB(A))	43
Sound Pressure Level - Heating - Low (dB(A))	22
Sound Power Level - Cooling - High (dB(A))	59
Sound Power Level - Heating - High (dB(A))	59
Moisture Removal (l/h)	1.3
Refrigerant Type (Global Warming Potential)	R410A (2,088)
Liquid Pipe Size	1/4"
Gas Pipe Size	3/8"
Unit Power Supply	From Outdoor Unit



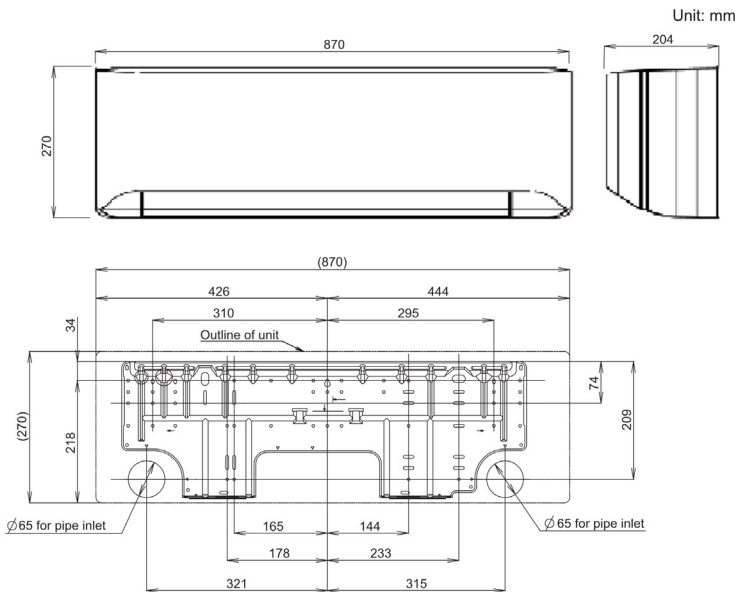
#### Document Downloads

- [Airflow - Fan Curve](#)
- [Controls & Accessories](#)
- [Dimensional Drawing](#)
- [Electrical Characteristics](#)
- [Function Settings](#)
- [Inputs & Outputs](#)
- [Installation Manual](#)
- [Noise Curve](#)
- [Operation Manual](#)

- [Product Image](#)
- [Spare Parts List All Pages](#)
- [Specifications](#)
- [Wiring Diagram](#)

#### Related Items

- [AOYG45LBLA6](#) 12.5kW 6 Way Multi Outdoor Unit - R410A 1 Ph

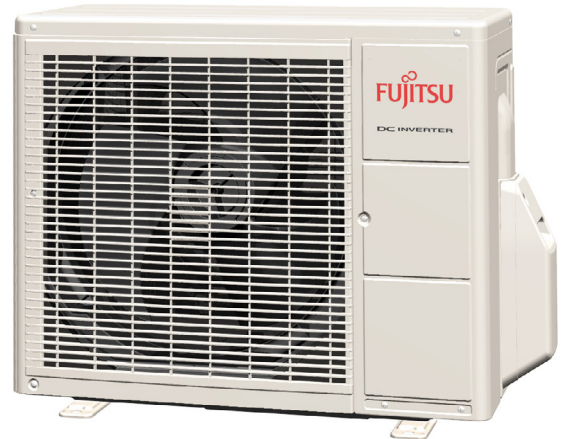


\*Specifications and design are subject to change without notice for further improvement.  
 •Actual products' colors may be different from the colors shown in this printed material.

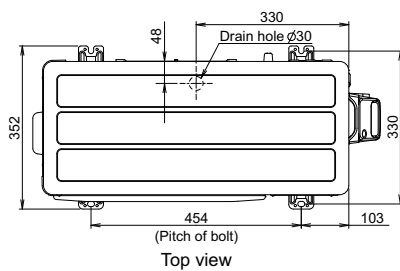
### AOYG09LMCE

Please visit our [webstore](#) for full product and technical documentation 

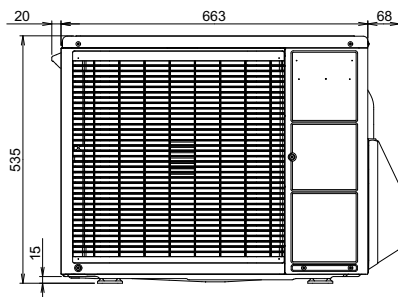
Nominal Cooling Capacity	(kW)	2.5
Nominal Heating Capacity	(kW)	3.2
Height	(mm)	535
Width	(mm)	663
Depth	(mm)	293
Weight	(kg)	21
Airflow Rate - Cooling - High	(m3/h)	1670
Airflow Rate - Heating - High	(m3/h)	1470
Sound Pressure Level - Cooling - High	(dB(A))	45
Sound Pressure Level - Heating - High	(dB(A))	45
Sound Power Level - Cooling - High	(dB(A))	58
Sound Power Level - Heating - High	(dB(A))	56
Refrigerant Type (Global Warming Potential)		R410A (2,088)
Liquid Pipe Size		1/4"
Gas Pipe Size		3/8"
Min - Max Pipe Length	(m)	5 - 20
Max Height Difference	(m)	15
Refrigerant Charge	(kg)	0.7
Refrigerant CO2eq-T		1.462
Precharged For	(m)	15
Additional Charge	(g/m)	20
Unit Power Supply		1Ph-230V-50Hz
Suggested Fuse Size	(A)	10
Cooling Mode Minimum Ambient	(°C)	-10
Cooling Mode Maximum Ambient	(°C)	43
Heating Mode Minimum Ambient	(°C)	-15
Heating Mode Maximum Ambient	(°C)	24



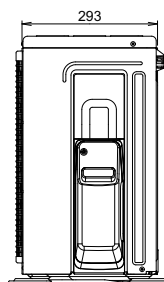
#### Document Downloads

[Accessories](#)
[Airflow](#)
[Capacity Correction](#)
[Charging Details](#)
[Controls & Accessories](#)
[Design & Technical Manual](#)
[Dimensional Drawing](#)
[Electrical Characteristics](#)
[Installation Manual](#)
[Installation Space](#)
[Noise Curve](#)
[Product Image](#)
[Refrigerant Circuit](#)
[Spare Parts List All Pages](#)
[Specifications](#)
[Wiring Diagram](#)


Top view



Front view



Side view

Units: mm

\*Specifications and design are subject to change without notice for further improvement.

\*Actual products' colors may be different from the colors shown in this printed material.

# ASYG12LMCE

Please visit our webstore for full product and technical documentation 

Unit Type	Wall Mounted
Remote Controller	IR Included
Nominal Cooling Capacity (kW)	3.4
Nominal Heating Capacity (kW)	4.0
Height (mm)	270
Width (mm)	870
Depth (mm)	204
Weight (kg)	8.5
Airflow Rate - Cooling - High (m <sup>3</sup> /h)	750
Airflow Rate - Heating - High (m <sup>3</sup> /h)	750
Sound Pressure Level - Cooling - High (dB(A))	43
Sound Pressure Level - Cooling - Low (dB(A))	21
Sound Pressure Level - Heating - High (dB(A))	43
Sound Pressure Level - Heating - Low (dB(A))	22
Sound Power Level - Cooling - High (dB(A))	59
Sound Power Level - Heating - High (dB(A))	59
Moisture Removal (l/h)	1.8
Refrigerant Type (Global Warming Potential)	R410A (2,088)
Liquid Pipe Size	1/4"
Gas Pipe Size	3/8"
Unit Power Supply	From Outdoor Unit



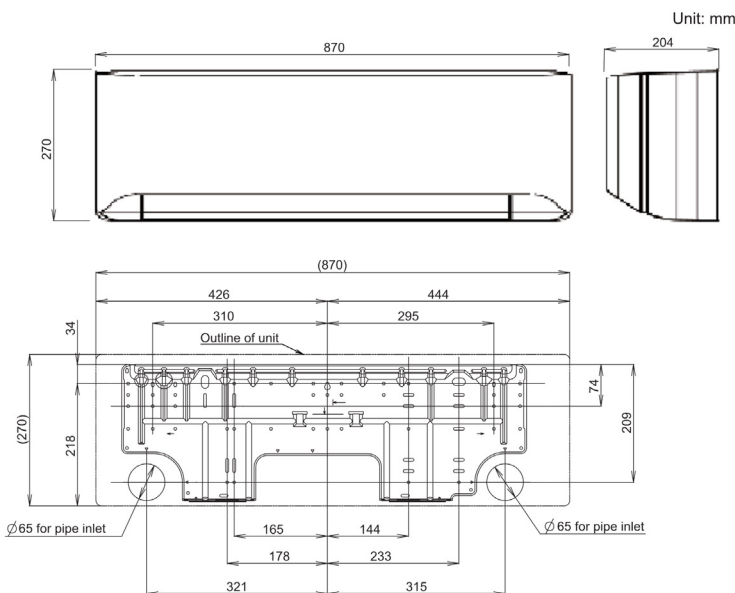
### Document Downloads

- [Airflow - Fan Curve](#)
- [Controls & Accessories](#)
- [Dimensional Drawing](#)
- [Electrical Characteristics](#)
- [Function Settings](#)
- [Inputs & Outputs](#)
- [Installation Manual](#)
- [Noise Curve](#)
- [Operation Manual](#)

- [Product Image](#)
- [Spare Parts List All Pages](#)
- [Specifications](#)
- [Wiring Diagram](#)

### Related Items

- [AOYG45LBLA6](#) 12.5kW 6 Way Multi Outdoor Unit - R410A 1 Ph



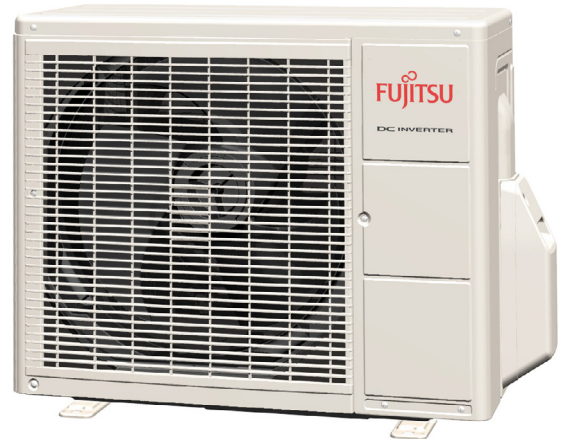
\*Specifications and design are subject to change without notice for further improvement.  
 •Actual products' colors may be different from the colors shown in this printed material.



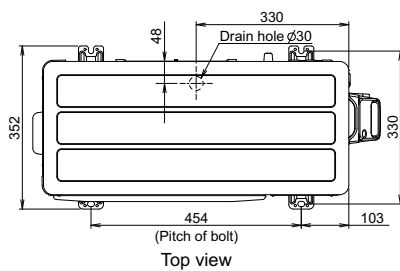
### AOYG12LMCE

Please visit our [webstore](#) for full product and technical documentation 

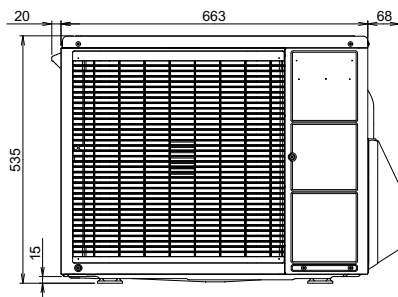
Nominal Cooling Capacity	(kW)	3.4
Nominal Heating Capacity	(kW)	4.0
Height	(mm)	535
Width	(mm)	663
Depth	(mm)	293
Weight	(kg)	26
Airflow Rate - Cooling - High	(m <sup>3</sup> /h)	1830
Airflow Rate - Heating - High	(m <sup>3</sup> /h)	1600
Sound Pressure Level - Cooling - High	(dB(A))	50
Sound Pressure Level - Heating - High	(dB(A))	50
Sound Power Level - Cooling - High	(dB(A))	61
Sound Power Level - Heating - High	(dB(A))	61
Refrigerant Type (Global Warming Potential)		R410A (2,088)
Liquid Pipe Size		1/4"
Gas Pipe Size		3/8"
Min - Max Pipe Length	(m)	5 - 20
Max Height Difference	(m)	15
Refrigerant Charge (kg)	(kg)	0.85
Refrigerant CO <sub>2</sub> eq-T		1.775
Precharged For	(m)	15
Additional Charge (g/m)	(g/m)	20
Unit Power Supply		1Ph-230V-50Hz
Suggested Fuse Size	(A)	10
Cooling Mode Minimum Ambient	(°C)	-10
Cooling Mode Maximum Ambient	(°C)	43
Heating Mode Minimum Ambient	(°C)	-15
Heating Mode Maximum Ambient	(°C)	24



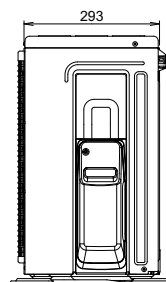
#### Document Downloads

[Accessories](#)
[Airflow](#)
[Capacity Correction](#)
[Charging Details](#)
[Controls & Accessories](#)
[Design & Technical Manual](#)
[Dimensional Drawing](#)
[Electrical Characteristics](#)
[Installation Manual](#)
[Installation Space](#)
[Noise Curve](#)
[Product Image](#)
[Refrigerant Circuit](#)
[Spare Parts List All Pages](#)
[Specifications](#)
[Wiring Diagram](#)


Top view



Front view



Side view

Units: mm

\*Specifications and design are subject to change without notice for further improvement.

\*Actual products' colors may be different from the colors shown in this printed material.

### ASYG14LMCE

Please visit our webstore for full product and technical documentation 

Unit Type	Wall Mounted
Remote Controller	IR Included
Nominal Cooling Capacity (kW)	4.0
Nominal Heating Capacity (kW)	5.0
Height (mm)	270
Width (mm)	870
Depth (mm)	204
Weight (kg)	8.5
Airflow Rate - Cooling - High (m <sup>3</sup> /h)	770
Airflow Rate - Heating - High (m <sup>3</sup> /h)	770
Sound Pressure Level - Cooling - High (dB(A))	44
Sound Pressure Level - Cooling - Low (dB(A))	25
Sound Pressure Level - Heating - High (dB(A))	44
Sound Pressure Level - Heating - Low (dB(A))	27
Sound Power Level - Cooling - High (dB(A))	60
Sound Power Level - Heating - High (dB(A))	60
Moisture Removal (l/h)	2.1
Refrigerant Type (Global Warming Potential)	R410A (2,088)
Liquid Pipe Size	1/4"
Gas Pipe Size	1/2"
Unit Power Supply	From Outdoor Unit

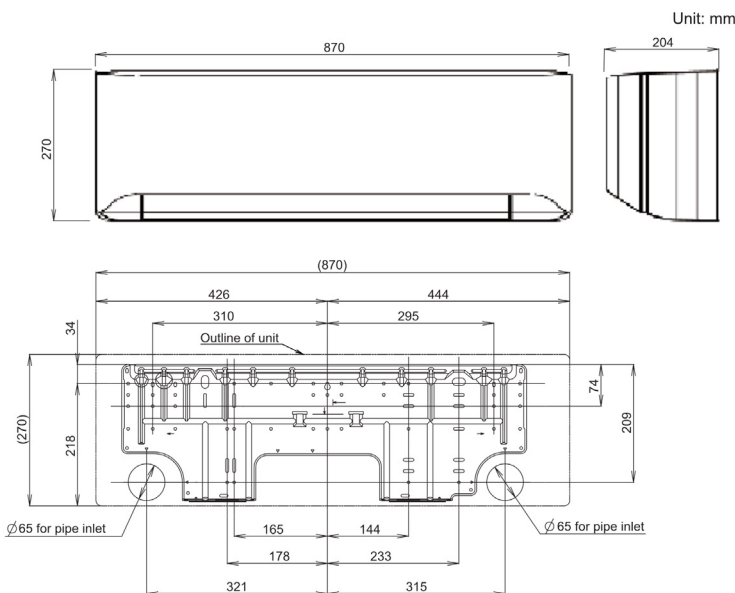


#### Document Downloads

- [Airflow - Fan Curve](#)
- [Controls & Accessories](#)
- [Dimensional Drawing](#)
- [Electrical Characteristics](#)
- [Function Settings](#)
- [Inputs & Outputs](#)
- [Installation Manual](#)
- [Noise Curve](#)
- [Operation Manual](#)
- [Product Image](#)
- [Spare Parts List All Pages](#)
- [Specifications](#)
- [Wiring Diagram](#)

#### Related Items

- [AOYG45LBLA6](#) 12.5kW 6 Way Multi Outdoor Unit - R410A 1 Ph

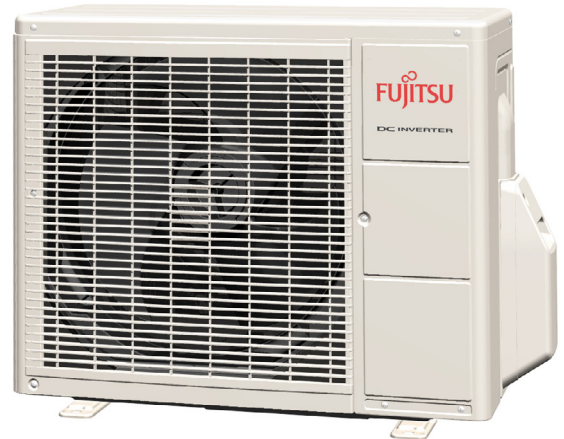


\*Specifications and design are subject to change without notice for further improvement.  
 •Actual products' colors may be different from the colors shown in this printed material.

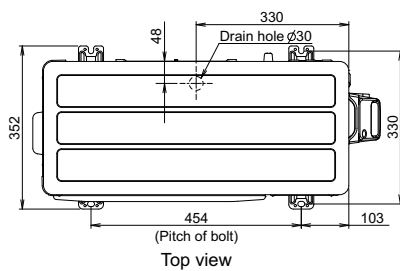
### AOYG14LMCE

Please visit our [webstore](#) for full product and technical documentation 

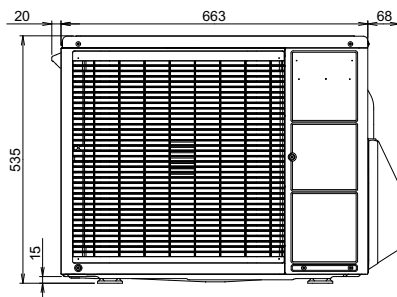
Nominal Cooling Capacity	(kW)	3.4
Nominal Heating Capacity	(kW)	4.0
Height	(mm)	535
Width	(mm)	663
Depth	(mm)	293
Weight	(kg)	26
Airflow Rate - Cooling - High	(m <sup>3</sup> /h)	1830
Airflow Rate - Heating - High	(m <sup>3</sup> /h)	1600
Sound Pressure Level - Cooling - High	(dB(A))	50
Sound Pressure Level - Heating - High	(dB(A))	50
Sound Power Level - Cooling - High	(dB(A))	61
Sound Power Level - Heating - High	(dB(A))	61
Refrigerant Type (Global Warming Potential)		R410A (2,088)
Liquid Pipe Size		1/4"
Gas Pipe Size		3/8"
Min - Max Pipe Length	(m)	5 - 20
Max Height Difference	(m)	15
Refrigerant Charge (kg)	(kg)	0.85
Refrigerant CO <sub>2</sub> eq-T		1.775
Precharged For	(m)	15
Additional Charge (g/m)	(g/m)	20
Unit Power Supply		1Ph-230V-50Hz
Suggested Fuse Size	(A)	10
Cooling Mode Minimum Ambient	(°C)	-10
Cooling Mode Maximum Ambient	(°C)	43
Heating Mode Minimum Ambient	(°C)	-15
Heating Mode Maximum Ambient	(°C)	24



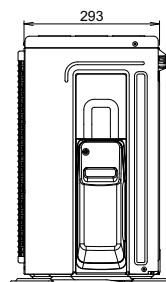
#### Document Downloads

[Accessories](#)
[Airflow](#)
[Capacity Correction](#)
[Charging Details](#)
[Controls & Accessories](#)
[Design & Technical Manual](#)
[Dimensional Drawing](#)
[Electrical Characteristics](#)
[Installation Manual](#)
[Installation Space](#)
[Noise Curve](#)
[Product Image](#)
[Refrigerant Circuit](#)
[Spare Parts List All Pages](#)
[Specifications](#)
[Wiring Diagram](#)


Top view



Front view



Side view

Units: mm

\*Specifications and design are subject to change without notice for further improvement.

\*Actual products' colors may be different from the colors shown in this printed material.

### ASYG07LUCA

Please visit our webstore for full product and technical documentation 

Unit Type	Wall Mounted
Remote Controller	IR Included
Nominal Cooling Capacity (kW)	2.0
Nominal Heating Capacity (kW)	3.0
Height (mm)	282
Width (mm)	870
Depth (mm)	185
Weight (kg)	9.5
Airflow Rate - Cooling - High (m <sup>3</sup> /h)	680
Airflow Rate - Heating - High (m <sup>3</sup> /h)	710
Sound Pressure Level - Cooling - High (dB(A))	38
Sound Pressure Level - Cooling - Low (dB(A))	21
Sound Pressure Level - Heating - High (dB(A))	38
Sound Pressure Level - Heating - Low (dB(A))	21
Sound Power Level - Cooling - High (dB(A))	57
Sound Power Level - Heating - High (dB(A))	59
Moisture Removal (l/h)	1
Refrigerant Type (Global Warming Potential)	R410A (2,088)
Liquid Pipe Size	1/4"
Gas Pipe Size	3/8"
Unit Power Supply	From Outdoor Unit



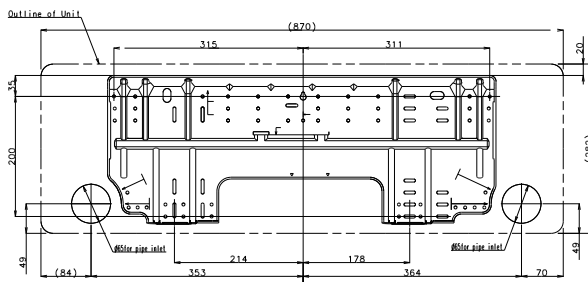
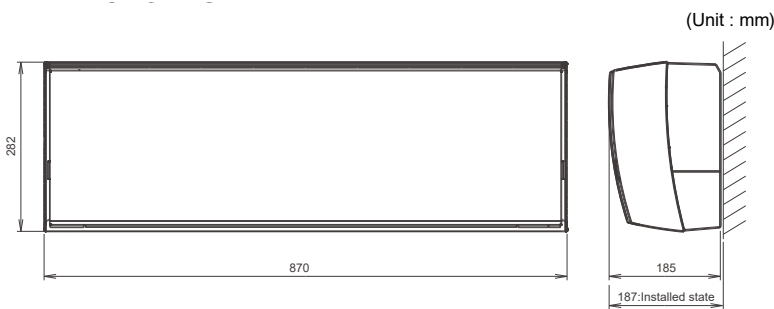
#### Document Downloads

- [Airflow - Fan Curve](#)
- [Controls & Accessories](#)
- [Dimensional Drawing](#)
- [Electrical Characteristics](#)
- [Function Settings](#)
- [Inputs & Outputs](#)
- [Installation Manual](#)
- [Noise Curve](#)
- [Operation Manual](#)

- [Product Image](#)
- [Spare Parts List All Pages](#)
- [Specifications](#)
- [Wiring Diagram](#)

#### Related Items

- [AOYG45LBLA6](#) 12.5kW 6 Way Multi Outdoor Unit - R410A 1 Ph



\*Specifications and design are subject to change without notice for further improvement.  
 •Actual products' colors may be different from the colors shown in this printed material.

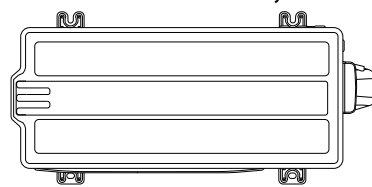
### AOYG07LUCA

Please visit our [webstore](#) for full product and technical documentation 

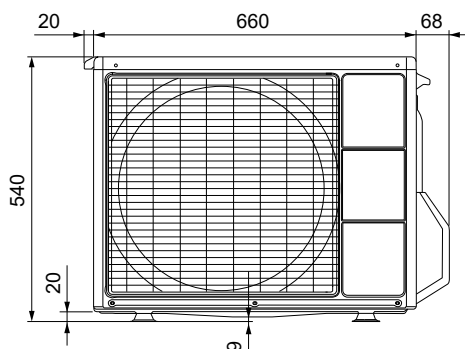
Nominal Cooling Capacity	(kW)	2.0
Nominal Heating Capacity	(kW)	3.0
Height	(mm)	540
Width	(mm)	660
Depth	(mm)	290
Weight	(kg)	23
Airflow Rate - Cooling - High	(m <sup>3</sup> /h)	1720
Airflow Rate - Heating - High	(m <sup>3</sup> /h)	1510
Sound Pressure Level - Cooling - High	(dB(A))	46
Sound Pressure Level - Heating - High	(dB(A))	46
Sound Power Level - Cooling - High	(dB(A))	58
Sound Power Level - Heating - High	(dB(A))	58
Refrigerant Type (Global Warming Potential)		R410A (2,088)
Liquid Pipe Size		1/4"
Gas Pipe Size		3/8"
Max Pipe Length	(m)	20
Max Height Difference	(m)	15
Refrigerant Charge (kg)	(kg)	0.7
Refrigerant CO <sub>2</sub> eq-T		1.462
Precharged For	(m)	15
Additional Charge (g/m)	(g/m)	20
Unit Power Supply		1Ph-230V-50Hz
Suggested Fuse Size	(A)	10
Cooling Mode Minimum Ambient	(°C)	-10
Cooling Mode Maximum Ambient	(°C)	46
Heating Mode Minimum Ambient	(°C)	-15
Heating Mode Maximum Ambient	(°C)	24



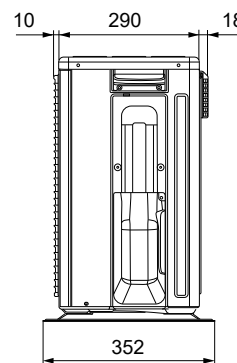
#### Document Downloads

[Airflow](#)
[Wiring Diagram](#)
[Capacity Correction](#)
[Dimensional Drawing](#)
[Installation Manual](#)
[Noise Curve](#)
[Product Image](#)
[Refrigerant Circuit](#)
[Spare Parts List All Pages](#)
[Specifications](#)


Top view



Front view



Side view

Units: mm

\*Specifications and design are subject to change without notice for further improvement.

\*Actual products' colors may be different from the colors shown in this printed material.

### ASYG09LUCA

Please visit our webstore for full product and technical documentation 

Unit Type	Wall Mounted
Remote Controller	IR Included
Nominal Cooling Capacity (kW)	2.5
Nominal Heating Capacity (kW)	3.2
Height (mm)	282
Width (mm)	870
Depth (mm)	185
Weight (kg)	9.5
Airflow Rate - Cooling - High (m <sup>3</sup> /h)	800
Airflow Rate - Heating - High (m <sup>3</sup> /h)	800
Sound Pressure Level - Cooling - High (dB(A))	42
Sound Pressure Level - Cooling - Low (dB(A))	21
Sound Pressure Level - Heating - High (dB(A))	42
Sound Pressure Level - Heating - Low (dB(A))	21
Sound Power Level - Cooling - High (dB(A))	59
Sound Power Level - Heating - High (dB(A))	61
Moisture Removal (l/h)	1.3
Refrigerant Type (Global Warming Potential)	R410A (2,088)
Liquid Pipe Size	1/4"
Gas Pipe Size	3/8"
Unit Power Supply	From Outdoor Unit



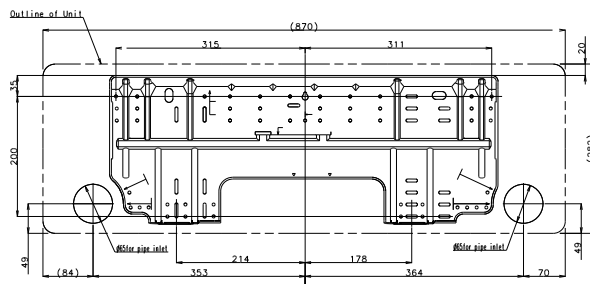
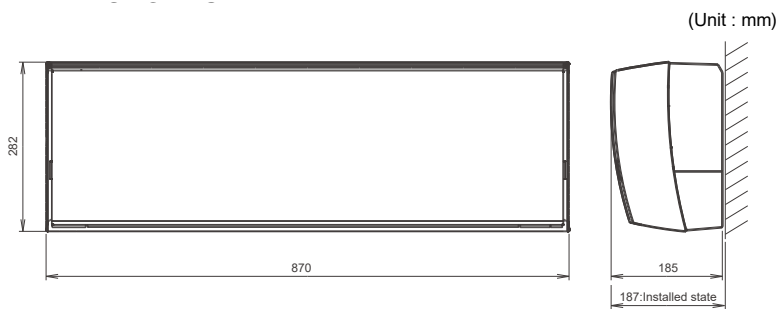
#### Document Downloads

- [Airflow - Fan Curve](#)
- [Controls & Accessories](#)
- [Dimensional Drawing](#)
- [Electrical Characteristics](#)
- [Function Settings](#)
- [Inputs & Outputs](#)
- [Installation Manual](#)
- [Noise Curve](#)
- [Operation Manual](#)

- [Product Image](#)
- [Spare Parts List All Pages](#)
- [Specifications](#)
- [Wiring Diagram](#)

#### Related Items

- [AOYG45LBLA6](#) 12.5kW 6 Way Multi Outdoor Unit - R410A 1 Ph



\*Specifications and design are subject to change without notice for further improvement.  
 •Actual products' colors may be different from the colors shown in this printed material.

### AOYG09LUCB

Please visit our webstore for full product and technical documentation 

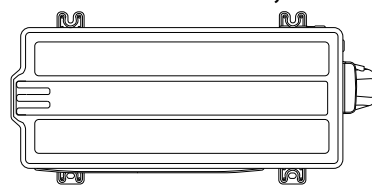
Nominal Cooling Capacity	(kW)	2.5
Nominal Heating Capacity	(kW)	3.2
Height	(mm)	540
Width	(mm)	660
Depth	(mm)	290
Weight	(kg)	25
Airflow Rate - Cooling - High	(m3/h)	1720
Airflow Rate - Heating - High	(m3/h)	1510
Sound Pressure Level - Cooling - High	(dB(A))	48
Sound Pressure Level - Heating - High	(dB(A))	48
Sound Power Level - Cooling - High	(dB(A))	60
Sound Power Level - Heating - High	(dB(A))	60
Refrigerant Type (Global Warming Potential)		R410A (2,088)
Liquid Pipe Size		1/4"
Gas Pipe Size		3/8"
Max Pipe Length	(m)	20
Max Height Difference	(m)	15
Refrigerant Charge (kg)	(kg)	0.85
Refrigerant CO2eq-T		1.775
Precharged For	(m)	15
Additional Charge (g/m)	(g/m)	20
Unit Power Supply		1Ph-230V-50Hz
Suggested Fuse Size	(A)	10
Cooling Mode Minimum Ambient	(°C)	-10
Cooling Mode Maximum Ambient	(°C)	46
Heating Mode Minimum Ambient	(°C)	-15
Heating Mode Maximum Ambient	(°C)	24



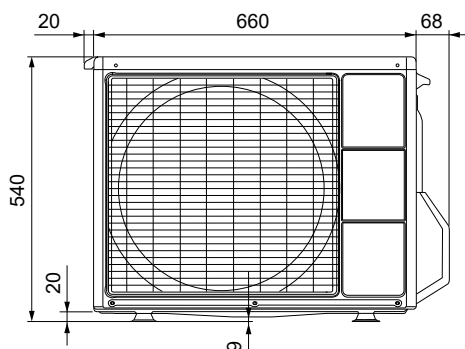
#### Document Downloads

- [Airflow](#)
- [Capacity Correction](#)
- [Dimensional Drawing](#)
- [Installation Manual](#)
- [Noise Curve](#)
- [Product Image](#)
- [Refrigerant Circuit](#)
- [Spare Parts List All Pages](#)
- [Specifications](#)

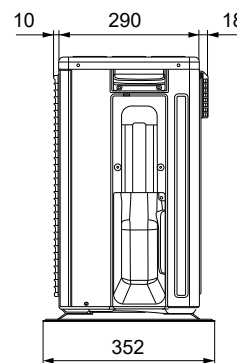
[Wiring Diagram](#)



Top view



Front view



Side view

Units: mm

\*Specifications and design are subject to change without notice for further improvement.

\*Actual products' colors may be different from the colors shown in this printed material.

# ASYG12LUCA

Please visit our webstore for full product and technical documentation 

Unit Type	Wall Mounted
Remote Controller	IR Included
Nominal Cooling Capacity (kW)	3.5
Nominal Heating Capacity (kW)	4.0
Height (mm)	282
Width (mm)	870
Depth (mm)	185
Weight (kg)	9.5
Airflow Rate - Cooling - High (m <sup>3</sup> /h)	850
Airflow Rate - Heating - High (m <sup>3</sup> /h)	850
Sound Pressure Level - Cooling - High (dB(A))	43
Sound Pressure Level - Cooling - Low (dB(A))	21
Sound Pressure Level - Heating - High (dB(A))	43
Sound Pressure Level - Heating - Low (dB(A))	21
Sound Power Level - Cooling - High (dB(A))	60
Sound Power Level - Heating - High (dB(A))	62
Moisture Removal (l/h)	1.8
Refrigerant Type (Global Warming Potential)	R410A (2,088)
Liquid Pipe Size	1/4"
Gas Pipe Size	3/8"
Unit Power Supply	From Outdoor Unit



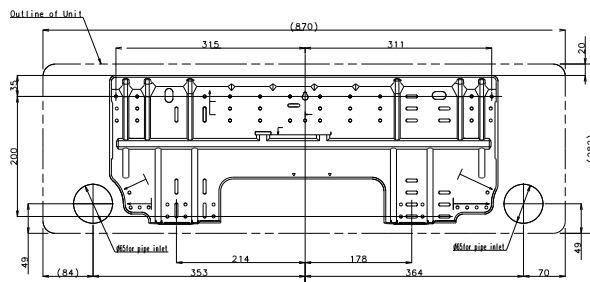
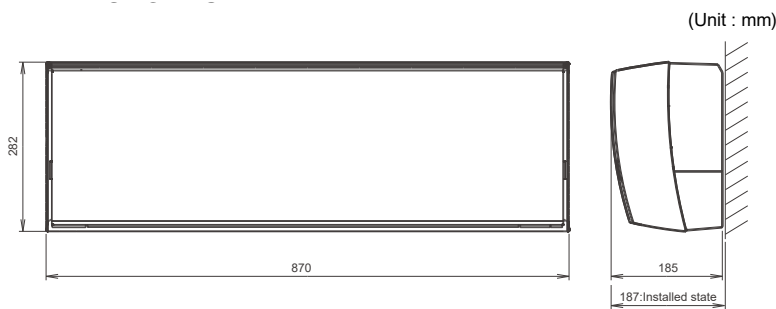
### Document Downloads

- [Airflow - Fan Curve](#)
- [Controls & Accessories](#)
- [Dimensional Drawing](#)
- [Electrical Characteristics](#)
- [Function Settings](#)
- [Inputs & Outputs](#)
- [Installation Manual](#)
- [Noise Curve](#)
- [Operation Manual](#)

- [Product Image](#)
- [Spare Parts List All Pages](#)
- [Specifications](#)
- [Wiring Diagram](#)

### Related Items

- [AOYG45LBLA6](#) 12.5kW 6 Way Multi Outdoor Unit - R410A 1 Ph



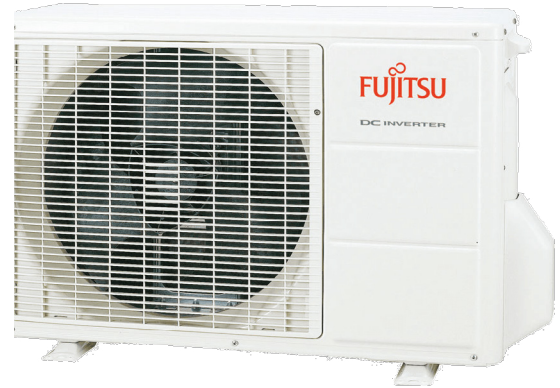
\*Specifications and design are subject to change without notice for further improvement.  
 •Actual products' colors may be different from the colors shown in this printed material.



# AOYG12LUC

Please visit our [webstore](#) for full product and technical documentation 

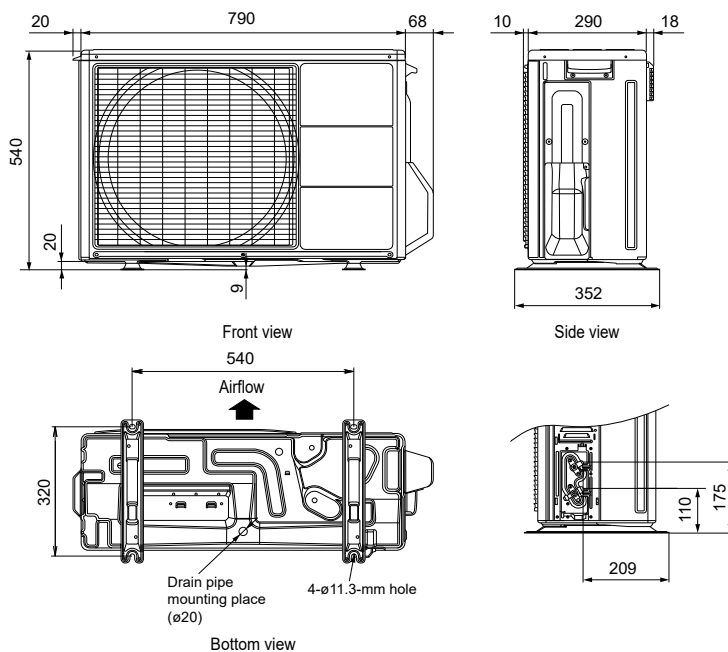
Nominal Cooling Capacity	(kW)	3.5
Nominal Heating Capacity	(kW)	4.0
Height	(mm)	540
Width	(mm)	790
Depth	(mm)	290
Weight	(kg)	33
Airflow Rate - Cooling - High	(m <sup>3</sup> /h)	1940
Airflow Rate - Heating - High	(m <sup>3</sup> /h)	1700
Sound Pressure Level - Cooling - High	(dB(A))	50
Sound Pressure Level - Heating - High	(dB(A))	50
Sound Power Level - Cooling - High	(dB(A))	65
Sound Power Level - Heating - High	(dB(A))	65
Refrigerant Type (Global Warming Potential)		R410A (2,088)
Liquid Pipe Size		1/4"
Gas Pipe Size		3/8"
Min - Max Pipe Length	(m)	5 - 20
Max Height Difference	(m)	15
Refrigerant Charge (kg)	(kg)	1.05
Refrigerant CO <sub>2</sub> eq-T		2.192
Precharged For	(m)	15
Additional Charge (g/m)	(g/m)	20
Unit Power Supply		1Ph-230V-50Hz
Suggested Fuse Size	(A)	10
Cooling Mode Minimum Ambient	(°C)	-10
Cooling Mode Maximum Ambient	(°C)	43
Heating Mode Minimum Ambient	(°C)	-15
Heating Mode Maximum Ambient	(°C)	24



### Document Downloads

- [Airflow](#)
- [Capacity Correction](#)
- [Dimensional Drawing](#)
- [Installation Manual](#)
- [Noise Curve](#)
- [Product Image](#)
- [Refrigerant Circuit](#)
- [Spare Parts List All Pages](#)
- [Specifications](#)

[Wiring Diagram](#)



Units: mm

\*Specifications and design are subject to change without notice for further improvement.

\*Actual products' colors may be different from the colors shown in this printed material.

### ASYG14LUCA

Please visit our webstore for full product and technical documentation 

Unit Type	Wall Mounted
Remote Controller	IR Included
Nominal Cooling Capacity (kW)	4.2
Nominal Heating Capacity (kW)	5.4
Height (mm)	282
Width (mm)	870
Depth (mm)	185
Weight (kg)	9.5
Airflow Rate - Cooling - High (m <sup>3</sup> /h)	900
Airflow Rate - Heating - High (m <sup>3</sup> /h)	950
Sound Pressure Level - Cooling - High (dB(A))	45
Sound Pressure Level - Cooling - Low (dB(A))	25
Sound Pressure Level - Heating - High (dB(A))	45
Sound Pressure Level - Heating - Low (dB(A))	27
Sound Power Level - Cooling - High (dB(A))	60
Sound Power Level - Heating - High (dB(A))	64
Moisture Removal (l/h)	2.1
Refrigerant Type (Global Warming Potential)	R410A (2,088)
Liquid Pipe Size	1/4"
Gas Pipe Size	1/2"
Unit Power Supply	From Outdoor Unit



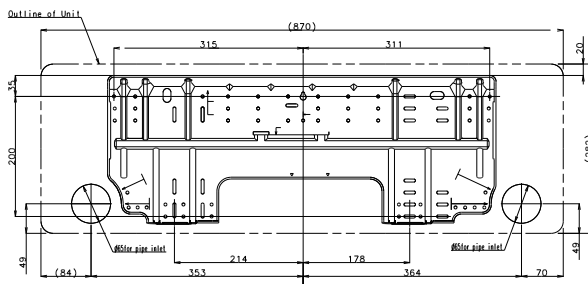
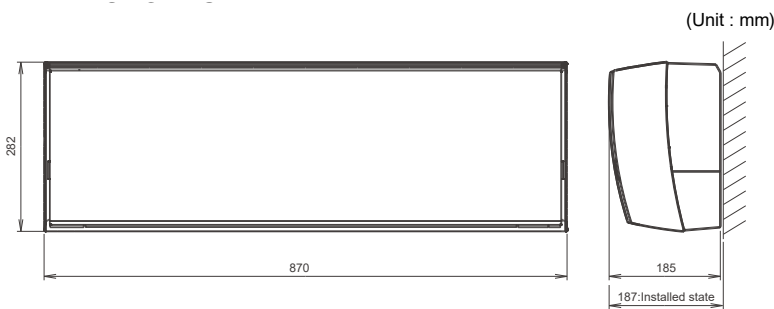
#### Document Downloads

- [Airflow - Fan Curve](#)
- [Controls & Accessories](#)
- [Dimensional Drawing](#)
- [Electrical Characteristics](#)
- [Function Settings](#)
- [Inputs & Outputs](#)
- [Installation Manual](#)
- [Noise Curve](#)
- [Operation Manual](#)

- [Product Image](#)
- [Spare Parts List All Pages](#)
- [Specifications](#)
- [Wiring Diagram](#)

#### Related Items

- [AOYG45LBLA6](#) 12.5kW 6 Way Multi Outdoor Unit - R410A 1 Ph

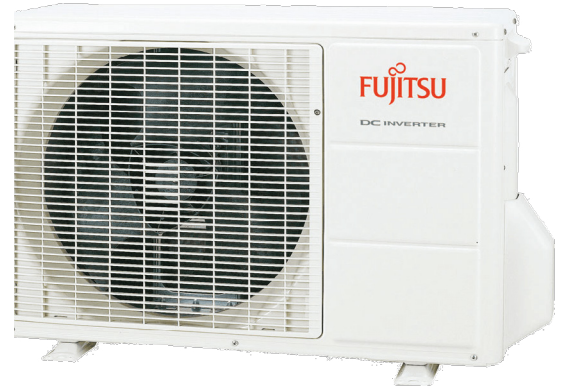


\*Specifications and design are subject to change without notice for further improvement.  
 •Actual products' colors may be different from the colors shown in this printed material.

### AOYG14LUC

Please visit our [webstore](#) for full product and technical documentation 

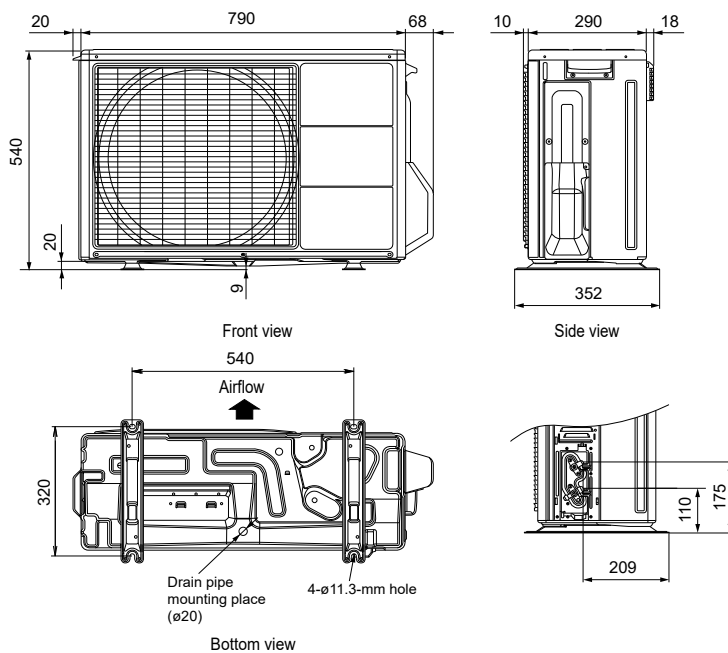
Nominal Cooling Capacity	(kW)	4.2
Nominal Heating Capacity	(kW)	5.4
Height	(mm)	540
Width	(mm)	790
Depth	(mm)	290
Weight	(kg)	34
Airflow Rate - Cooling - High	(m <sup>3</sup> /h)	1940
Airflow Rate - Heating - High	(m <sup>3</sup> /h)	1700
Sound Pressure Level - Cooling - High	(dB(A))	50
Sound Pressure Level - Heating - High	(dB(A))	50
Sound Power Level - Cooling - High	(dB(A))	65
Sound Power Level - Heating - High	(dB(A))	65
Refrigerant Type (Global Warming Potential)		R410A (2,088)
Liquid Pipe Size		1/4"
Gas Pipe Size		1/2"
Min - Max Pipe Length	(m)	5 - 20
Max Height Difference	(m)	15
Refrigerant Charge (kg)	(kg)	1.05
Refrigerant CO <sub>2</sub> eq-T		2.192
Precharged For	(m)	15
Additional Charge (g/m)	(g/m)	20
Unit Power Supply		1Ph-230V-50Hz
Suggested Fuse Size	(A)	16
Cooling Mode Minimum Ambient	(°C)	-10
Cooling Mode Maximum Ambient	(°C)	43
Heating Mode Minimum Ambient	(°C)	-15
Heating Mode Maximum Ambient	(°C)	24



#### Document Downloads

- [Airflow](#)
- [Capacity Correction](#)
- [Dimensional Drawing](#)
- [Installation Manual](#)
- [Noise Curve](#)
- [Product Image](#)
- [Refrigerant Circuit](#)
- [Spare Parts List All Pages](#)
- [Specifications](#)

[Wiring Diagram](#)



Units: mm

\*Specifications and design are subject to change without notice for further improvement.  
 •Actual products' colors may be different from the colors shown in this printed material.

### ASYG09LTCA

Please visit our webstore for full product and technical documentation 

Unit Type	Remote Controller	Wall Mounted	IR Included
Nominal Cooling Capacity	(kW)	2.5	
Nominal Heating Capacity	(kW)	3.2	
Height	(mm)	282	
Width	(mm)	870	
Depth	(mm)	185	
Weight	(kg)	9.5	
Airflow Rate - Cooling - High	(m <sup>3</sup> /h)	800	
Airflow Rate - Heating - High	(m <sup>3</sup> /h)	800	
Sound Pressure Level - Cooling - High	(dB(A))	42	
Sound Pressure Level - Cooling - Low	(dB(A))	21	
Sound Pressure Level - Heating - High	(dB(A))	42	
Sound Pressure Level - Heating - Low	(dB(A))	21	
Sound Power Level - Cooling - High	(dB(A))	59	
Sound Power Level - Heating - High	(dB(A))	61	
Moisture Removal	(l/h)	1.3	
Refrigerant Type (Global Warming Potential)		R410A (2,088)	
Liquid Pipe Size		1/4"	
Gas Pipe Size		3/8"	
Unit Power Supply		From Outdoor Unit	

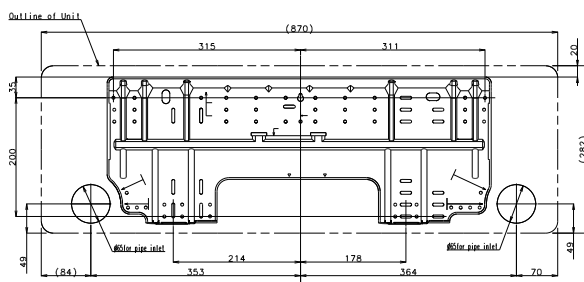
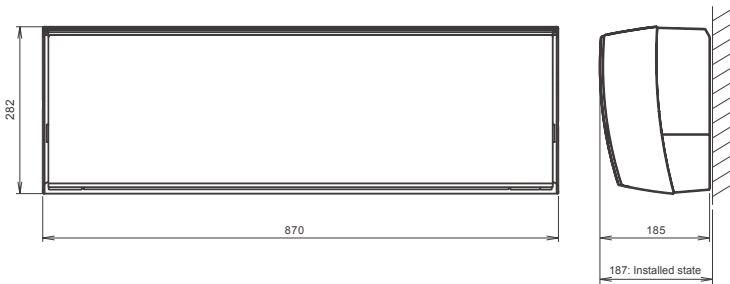


#### Document Downloads

- [Airflow - Fan Curve](#)
- [Controls & Accessories](#)
- [Dimensional Drawing](#)
- [Function Settings](#)
- [Inputs & Outputs](#)
- [Installation Manual](#)
- [Noise Curve](#)
- [Product Image](#)
- [Spare Parts List All Pages](#)

- [Specifications](#)
- [Wiring Diagram](#)

(Unit : mm)

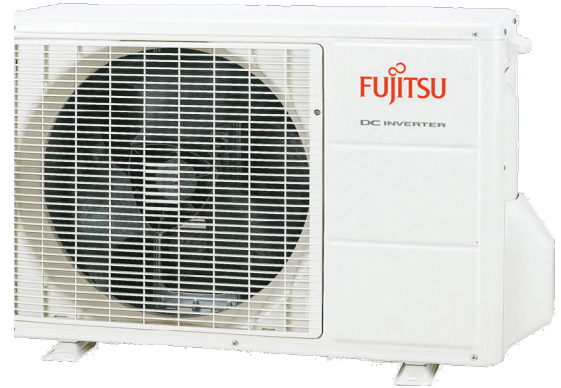


\*Specifications and design are subject to change without notice for further improvement.  
 •Actual products' colors may be different from the colors shown in this printed material.

### AOYG09LTC

Please visit our [webstore](#) for full product and technical documentation 

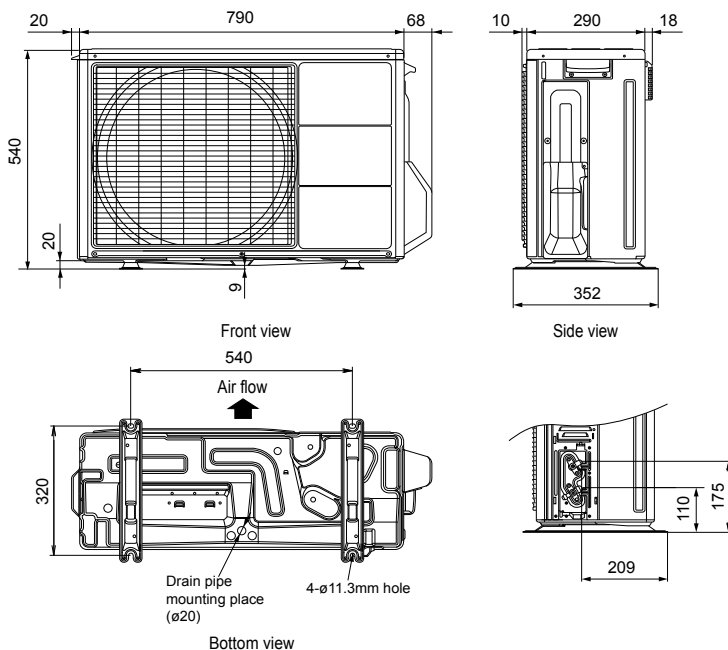
Nominal Cooling Capacity	(kW)	2.5
Nominal Heating Capacity	(kW)	3.2
Height	(mm)	540
Width	(mm)	790
Depth	(mm)	290
Weight	(kg)	33
Airflow Rate - Cooling - High	(m <sup>3</sup> /h)	1700
Airflow Rate - Heating - High	(m <sup>3</sup> /h)	1700
Sound Pressure Level - Cooling - High	(dB(A))	48
Sound Pressure Level - Heating - High	(dB(A))	50
Sound Power Level - Cooling - High	(dB(A))	63
Sound Power Level - Heating - High	(dB(A))	65
Refrigerant Type (Global Warming Potential)		R410A (2,088)
Liquid Pipe Size		1/4"
Gas Pipe Size		3/8"
Min - Max Pipe Length	(m)	5 - 20
Max Height Difference	(m)	15
Refrigerant Charge (kg)	(kg)	1.05
Refrigerant CO <sub>2</sub> eq-T		2.192
Precharged For	(m)	15
Additional Charge (g/m)	(g/m)	20
Unit Power Supply		1Ph-230V-50Hz
Suggested Fuse Size	(A)	10
Cooling Mode Minimum Ambient	(°C)	-10
Cooling Mode Maximum Ambient	(°C)	43
Heating Mode Minimum Ambient	(°C)	-20
Heating Mode Maximum Ambient	(°C)	24



#### Document Downloads

- [Airflow](#)
- [Capacity Correction](#)
- [Dimensional Drawing](#)
- [Installation Manual](#)
- [Noise Curve](#)
- [Product Image](#)
- [Refrigerant Circuit](#)
- [Spare Parts List All Pages](#)
- [Specifications](#)

[Wiring Diagram](#)



Units: mm

\*Specifications and design are subject to change without notice for further improvement.

\*Actual products' colors may be different from the colors shown in this printed material.

### ASYG12LTCA

Please visit our webstore for full product and technical documentation 

Unit Type	Wall Mounted
Remote Controller	IR Included
Nominal Cooling Capacity (kW)	3.5
Nominal Heating Capacity (kW)	4.0
Height (mm)	282
Width (mm)	870
Depth (mm)	185
Weight (kg)	9.5
Airflow Rate - Cooling - High (m <sup>3</sup> /h)	850
Airflow Rate - Heating - High (m <sup>3</sup> /h)	850
Sound Pressure Level - Cooling - High (dB(A))	43
Sound Pressure Level - Cooling - Low (dB(A))	21
Sound Pressure Level - Heating - High (dB(A))	43
Sound Pressure Level - Heating - Low (dB(A))	21
Sound Power Level - Cooling - High (dB(A))	60
Sound Power Level - Heating - High (dB(A))	62
Moisture Removal (l/h)	1.8
Refrigerant Type (Global Warming Potential)	R410A (2,088)
Liquid Pipe Size	1/4"
Gas Pipe Size	3/8"
Unit Power Supply	From Outdoor Unit

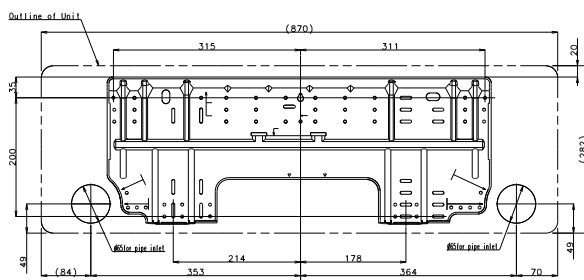
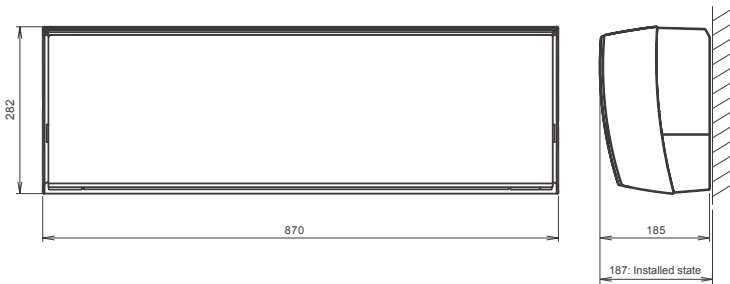


#### Document Downloads

- [Airflow - Fan Curve](#)
- [Controls & Accessories](#)
- [Dimensional Drawing](#)
- [Function Settings](#)
- [Inputs & Outputs](#)
- [Installation Manual](#)
- [Noise Curve](#)
- [Product Image](#)
- [Spare Parts List All Pages](#)

- [Specifications](#)
- [Wiring Diagram](#)

(Unit : mm)



\*Specifications and design are subject to change without notice for further improvement.  
 •Actual products' colors may be different from the colors shown in this printed material.

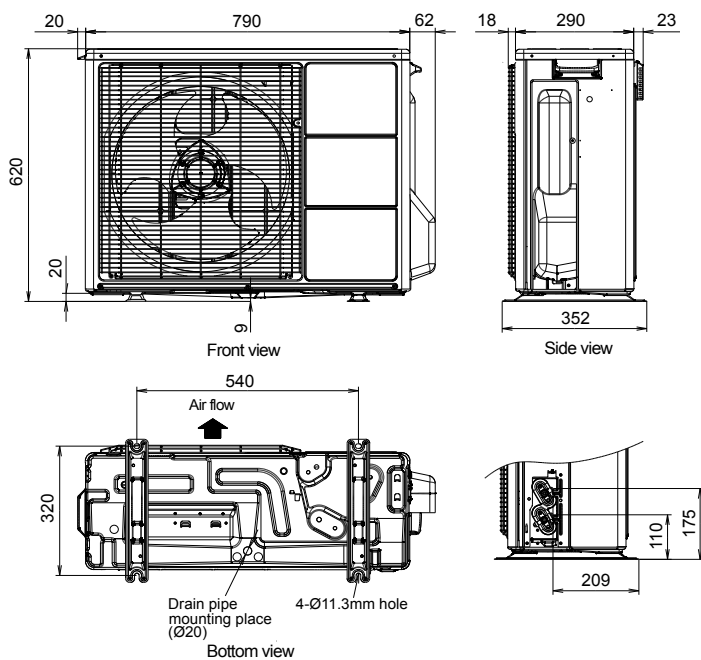
### AOYG12LTC

Please visit our webstore for full product and technical documentation 

Nominal Cooling Capacity	(kW)	3.5
Nominal Heating Capacity	(kW)	4.0
Height	(mm)	620
Width	(mm)	790
Depth	(mm)	290
Weight	(kg)	40
Airflow Rate - Cooling - High	(m3/h)	2050
Airflow Rate - Heating - High	(m3/h)	2000
Sound Pressure Level - Cooling - High	(dB(A))	48
Sound Pressure Level - Heating - High	(dB(A))	49
Sound Power Level - Cooling - High	(dB(A))	64
Sound Power Level - Heating - High	(dB(A))	65
Refrigerant Type (Global Warming Potential)		R410A (2,088)
Liquid Pipe Size		1/4"
Gas Pipe Size		3/8"
Min - Max Pipe Length	(m)	20
Max Height Difference	(m)	15
Refrigerant Charge (kg)	(kg)	1.2
Refrigerant CO2eq-T		2.506
Precharged For	(m)	15
Additional Charge (g/m)	(g/m)	20
Unit Power Supply		1Ph-230V-50Hz
Suggested Fuse Size	(A)	10
Cooling Mode Minimum Ambient	(°C)	-10
Cooling Mode Maximum Ambient	(°C)	43
Heating Mode Minimum Ambient	(°C)	-20
Heating Mode Maximum Ambient	(°C)	24



#### Document Downloads

[Airflow](#)
[Wiring Diagram](#)
[Capacity Correction](#)
[Dimensional Drawing](#)
[Installation Manual](#)
[Noise Curve](#)
[Product Image](#)
[Refrigerant Circuit](#)
[Spare Parts List All Pages](#)
[Specifications](#)


Units: mm

\*Specifications and design are subject to change without notice for further improvement.  
 \*Actual products' colors may be different from the colors shown in this printed material.

### ASYG30LMTA

Please visit our webstore for full product and technical documentation 

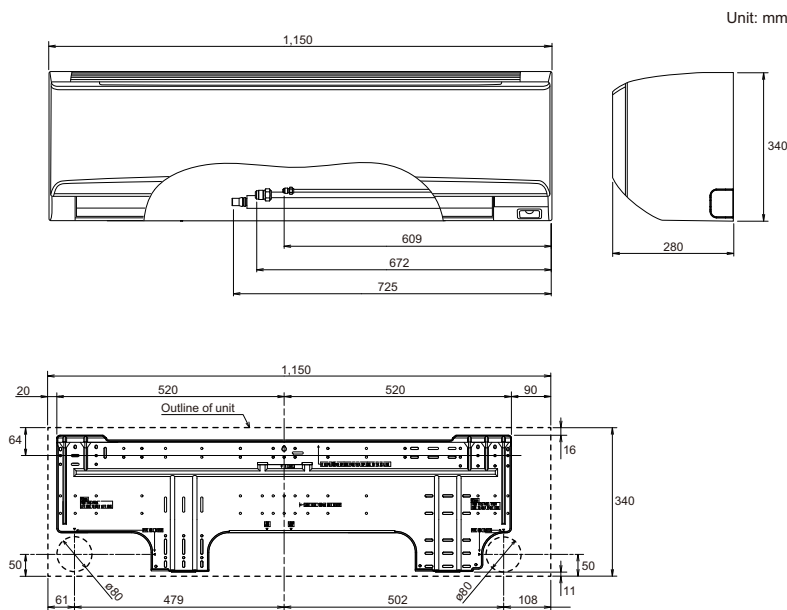
Unit Type	Wall Mounted
Remote Controller	IR Included
Nominal Cooling Capacity (kW)	8.0
Nominal Heating Capacity (kW)	8.8
Height (mm)	340
Width (mm)	1150
Depth (mm)	280
Weight (kg)	18
Airflow Rate - Cooling - High (m <sup>3</sup> /h)	1380
Airflow Rate - Heating - High (m <sup>3</sup> /h)	1380
Sound Pressure Level - Cooling - High (dB(A))	50
Sound Pressure Level - Cooling - Low (dB(A))	31
Sound Pressure Level - Heating - High (dB(A))	49
Sound Pressure Level - Heating - Low (dB(A))	33
Sound Power Level - Cooling - High (dB(A))	65
Sound Power Level - Heating - High (dB(A))	65
Moisture Removal (l/h)	2.7
Refrigerant Type (Global Warming Potential)	R410A (2,088)
Liquid Pipe Size	3/8"
Gas Pipe Size	5/8"
Unit Power Supply	From Outdoor Unit



#### Document Downloads

- [Airflow - Fan Curve](#)
- [Controls & Accessories](#)
- [Dimensional Drawing](#)
- [Function Settings](#)
- [Inputs & Outputs](#)
- [Installation Manual](#)
- [Noise Curve](#)
- [Product Image](#)
- [Spare Parts List All Pages](#)

- [Specifications](#)
- [Wiring Diagram](#)



\*Specifications and design are subject to change without notice for further improvement.  
 •Actual products' colors may be different from the colors shown in this printed material.



### AOYG30LMTA

Please visit our webstore for full product and technical documentation 

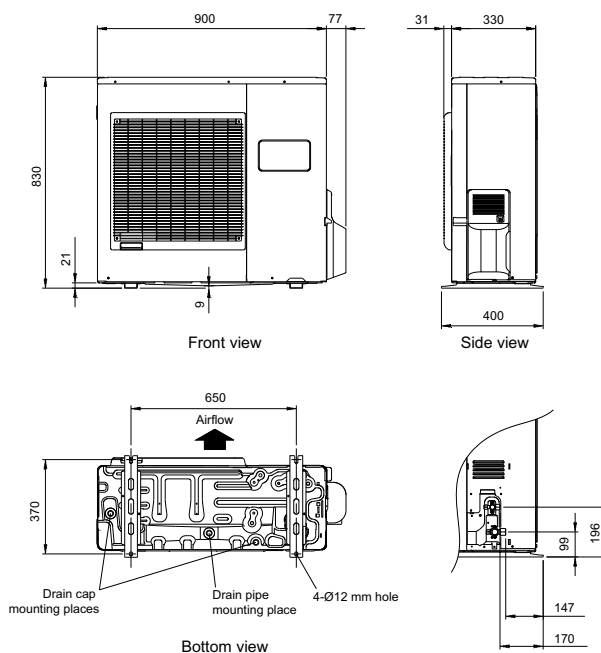
Nominal Cooling Capacity	(kW)	8.0
Nominal Heating Capacity	(kW)	8.8
Height	(mm)	830
Width	(mm)	900
Depth	(mm)	330
Weight	(kg)	61
Airflow Rate - Cooling - High	(m <sup>3</sup> /h)	3600
Airflow Rate - Heating - High	(m <sup>3</sup> /h)	3600
Sound Pressure Level - Cooling - High	(dB(A))	52
Sound Pressure Level - Heating - High	(dB(A))	55
Sound Power Level - Cooling - High	(dB(A))	67
Sound Power Level - Heating - High	(dB(A))	68
Refrigerant Type (Global Warming Potential)		R410A (2,088)
Liquid Pipe Size		3/8"
Gas Pipe Size		5/8"
Min - Max Pipe Length	(m)	5 - 50
Max Height Difference	(m)	30
Refrigerant Charge	(kg)	2.1
Refrigerant CO <sub>2</sub> eq-T		4.385
Precharged For	(m)	20
Additional Charge	(g/m)	40
Unit Power Supply		1Ph-230V-50Hz
Suggested Fuse Size	(A)	20
Cooling Mode Minimum Ambient	(°C)	-15
Cooling Mode Maximum Ambient	(°C)	46
Heating Mode Minimum Ambient	(°C)	-15
Heating Mode Maximum Ambient	(°C)	24



#### Document Downloads

- [Accessories](#)
- [Airflow](#)
- [Capacity Correction](#)
- [Dimensional Drawing](#)
- [Installation Manual](#)
- [Noise Curve](#)
- [Product Image](#)
- [Refrigerant Circuit](#)
- [Spare Parts List All Pages](#)

- [Specifications](#)
- [Wiring Diagram](#)



Units: mm

\*Specifications and design are subject to change without notice for further improvement.

\*Actual products' colors may be different from the colors shown in this printed material.

### ASYG36LMTA

Please visit our webstore for full product and technical documentation 

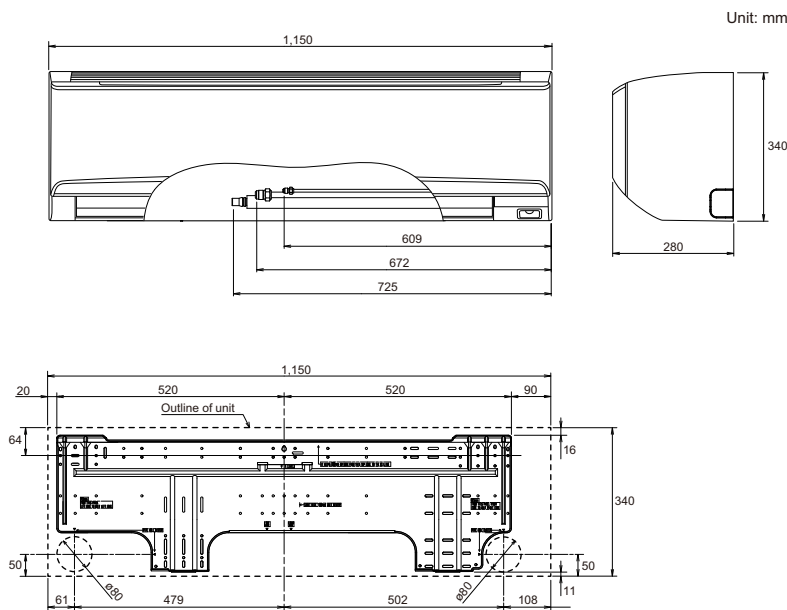
Unit Type	Wall Mounted
Remote Controller	IR Included
Nominal Cooling Capacity (kW)	9.4
Nominal Heating Capacity (kW)	10.1
Height (mm)	340
Width (mm)	1150
Depth (mm)	280
Weight (kg)	18
Airflow Rate - Cooling - High (m <sup>3</sup> /h)	1380
Airflow Rate - Heating - High (m <sup>3</sup> /h)	1380
Sound Pressure Level - Cooling - High (dB(A))	50
Sound Pressure Level - Cooling - Low (dB(A))	31
Sound Pressure Level - Heating - High (dB(A))	49
Sound Pressure Level - Heating - Low (dB(A))	33
Sound Power Level - Cooling - High (dB(A))	65
Sound Power Level - Heating - High (dB(A))	65
Moisture Removal (l/h)	3.7
Refrigerant Type (Global Warming Potential)	R410A (2,088)
Liquid Pipe Size	3/8"
Gas Pipe Size	5/8"
Unit Power Supply	From Outdoor Unit



#### Document Downloads

- [Airflow - Fan Curve](#)
- [Controls & Accessories](#)
- [Dimensional Drawing](#)
- [Function Settings](#)
- [Inputs & Outputs](#)
- [Installation Manual](#)
- [Noise Curve](#)
- [Product Image](#)
- [Spare Parts List All Pages](#)

- [Specifications](#)
- [Wiring Diagram](#)



\*Specifications and design are subject to change without notice for further improvement.  
 •Actual products' colors may be different from the colors shown in this printed material.

### AOYG36LMTA

Please visit our webstore for full product and technical documentation 

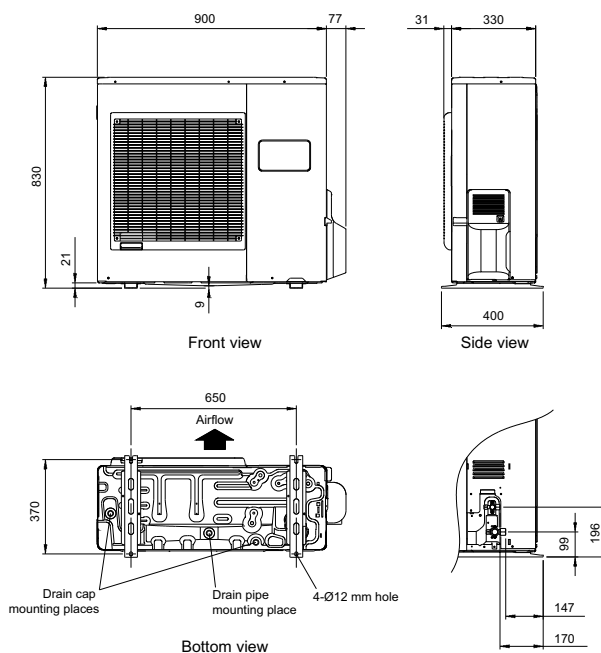
Nominal Cooling Capacity	(kW)	9.4
Nominal Heating Capacity	(kW)	10.1
Height	(mm)	830
Width	(mm)	900
Depth	(mm)	330
Weight	(kg)	61
Airflow Rate - Cooling - High	(m <sup>3</sup> /h)	3800
Airflow Rate - Heating - High	(m <sup>3</sup> /h)	3800
Sound Pressure Level - Cooling - High	(dB(A))	55
Sound Pressure Level - Heating - High	(dB(A))	56
Sound Power Level - Cooling - High	(dB(A))	68
Sound Power Level - Heating - High	(dB(A))	70
Refrigerant Type (Global Warming Potential)		R410A (2,088)
Liquid Pipe Size		3/8"
Gas Pipe Size		5/8"
Min - Max Pipe Length	(m)	5 - 50
Max Height Difference	(m)	30
Refrigerant Charge	(kg)	2.1
Refrigerant CO <sub>2</sub> eq-T		4.385
Precharged For	(m)	20
Additional Charge	(g/m)	40
Unit Power Supply		1Ph-230V-50Hz
Suggested Fuse Size	(A)	25
Cooling Mode Minimum Ambient	(°C)	-15
Cooling Mode Maximum Ambient	(°C)	46
Heating Mode Minimum Ambient	(°C)	-15
Heating Mode Maximum Ambient	(°C)	24



#### Document Downloads

- [Accessories](#)
- [Airflow](#)
- [Capacity Correction](#)
- [Dimensional Drawing](#)
- [Installation Manual](#)
- [Noise Curve](#)
- [Product Image](#)
- [Refrigerant Circuit](#)
- [Spare Parts List All Pages](#)

- [Specifications](#)
- [Wiring Diagram](#)



Units: mm

\*Specifications and design are subject to change without notice for further improvement.

\*Actual products' colors may be different from the colors shown in this printed material.

### ASYG18LFCA

Please visit our webstore for full product and technical documentation 

Unit Type	Wall Mounted
Remote Controller	IR Included
Nominal Cooling Capacity (kW)	5.2
Nominal Heating Capacity (kW)	6.3
Height (mm)	320
Width (mm)	998
Depth (mm)	238
Weight (kg)	14
Airflow Rate - Cooling - High (m <sup>3</sup> /h)	900
Airflow Rate - Heating - High (m <sup>3</sup> /h)	900
Sound Pressure Level - Cooling - High (dB(A))	43
Sound Pressure Level - Cooling - Low (dB(A))	26
Sound Pressure Level - Heating - High (dB(A))	42
Sound Pressure Level - Heating - Low (dB(A))	25
Sound Power Level - Cooling - High (dB(A))	58
Sound Power Level - Heating - High (dB(A))	58
Moisture Removal (l/h)	2.6
Refrigerant Type (Global Warming Potential)	R410A (2,088)
Liquid Pipe Size	1/4"
Gas Pipe Size	1/2"
Unit Power Supply	From Outdoor Unit



#### Document Downloads

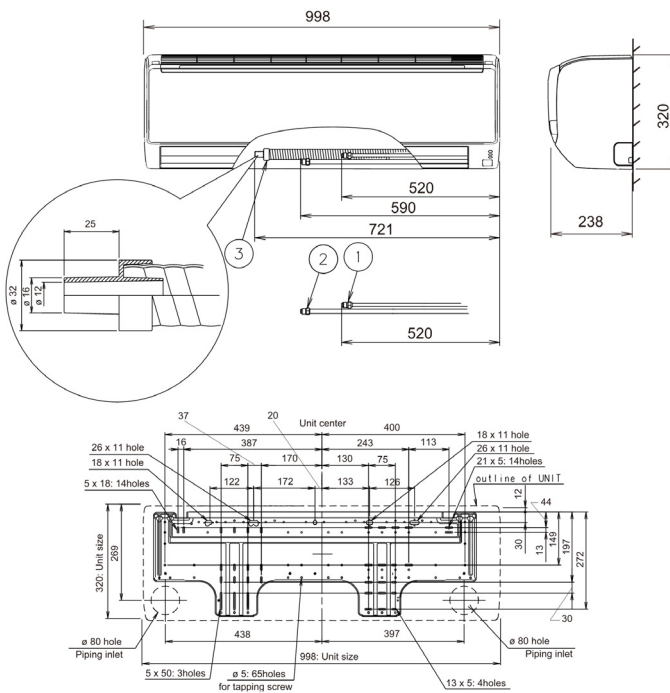
- [Airflow - Fan Curve](#)
- [Controls & Accessories](#)
- [Dimensional Drawing](#)
- [Electrical Characteristics](#)
- [Function Settings](#)
- [Inputs & Outputs](#)
- [Installation Manual](#)
- [Noise Curve](#)
- [Operation Manual](#)

- [Product Image](#)
- [Spare Parts List All Pages](#)
- [Specifications](#)
- [Wiring Diagram](#)

#### Related Items

- [AOYG45LBLA6](#) 12.5kW 6 Way Multi Outdoor Unit - R410A 1 Ph

(Unit : mm)



\*Specifications and design are subject to change without notice for further improvement.  
 •Actual products' colors may be different from the colors shown in this printed material.

### AOYG18LFC

Please visit our webstore for full product and technical documentation 

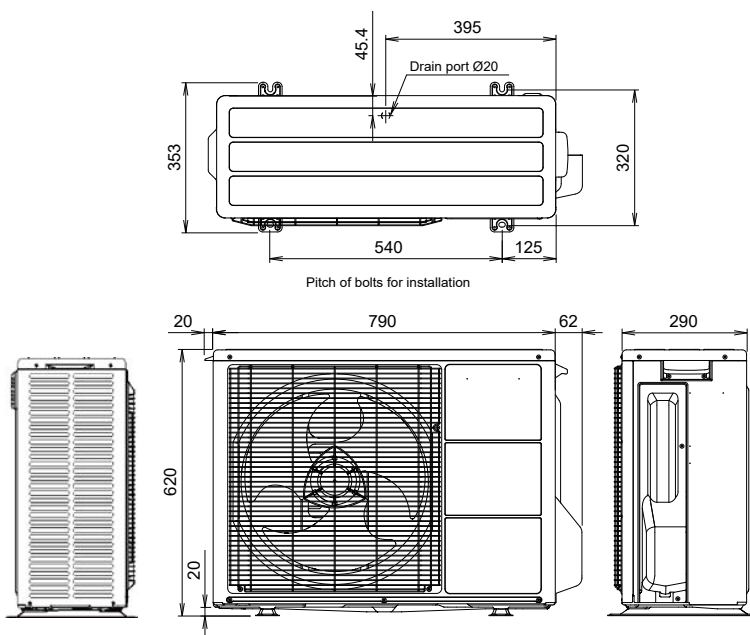
Nominal Cooling Capacity	(kW)	5.2
Nominal Heating Capacity	(kW)	6.3
Height	(mm)	620
Width	(mm)	790
Depth	(mm)	290
Weight	(kg)	41
Airflow Rate - Cooling - High	(m <sup>3</sup> /h)	2150
Airflow Rate - Heating - High	(m <sup>3</sup> /h)	2070
Sound Pressure Level - Cooling - High	(dB(A))	50
Sound Pressure Level - Heating - High	(dB(A))	51
Sound Power Level - Cooling - High	(dB(A))	65
Sound Power Level - Heating - High	(dB(A))	66
Refrigerant Type (Global Warming Potential)		R410A (2,088)
Liquid Pipe Size		1/4"
Gas Pipe Size		1/2"
Min - Max Pipe Length	(m)	5 - 25
Max Height Difference	(m)	20
Refrigerant Charge (kg)	(kg)	1.2
Refrigerant CO <sub>2</sub> eq-T		2.506
Precharged For	(m)	15
Additional Charge (g/m)	(g/m)	20
Unit Power Supply		1Ph-230V-50Hz
Suggested Fuse Size	(A)	16
Cooling Mode Minimum Ambient	(°C)	-10
Cooling Mode Maximum Ambient	(°C)	46
Heating Mode Minimum Ambient	(°C)	-15
Heating Mode Maximum Ambient	(°C)	24



#### Document Downloads

- [Airflow](#)
- [Capacity Correction](#)
- [Dimensional Drawing](#)
- [Installation Manual](#)
- [Noise Curve](#)
- [Product Image](#)
- [Refrigerant Circuit](#)
- [Spare Parts List All Pages](#)
- [Specifications](#)

[Wiring Diagram](#)



Units: mm

\*Specifications and design are subject to change without notice for further improvement.

\*Actual products' colors may be different from the colors shown in this printed material.

### ASYG24LFCC

Please visit our webstore for full product and technical documentation 

Unit Type	Wall Mounted
Remote Controller	IR Included
Nominal Cooling Capacity (kW)	7.1
Nominal Heating Capacity (kW)	8.0
Height (mm)	320
Width (mm)	998
Depth (mm)	238
Weight (kg)	14
Airflow Rate - Cooling - High (m <sup>3</sup> /h)	1120
Airflow Rate - Heating - High (m <sup>3</sup> /h)	1120
Sound Pressure Level - Cooling - High (dB(A))	49
Sound Pressure Level - Cooling - Low (dB(A))	32
Sound Pressure Level - Heating - High (dB(A))	48
Sound Pressure Level - Heating - Low (dB(A))	32
Sound Power Level - Cooling - High (dB(A))	64
Sound Power Level - Heating - High (dB(A))	64
Moisture Removal (l/h)	2.7
Refrigerant Type (Global Warming Potential)	R410A (2,088)
Liquid Pipe Size	1/4"
Gas Pipe Size	5/8"
Unit Power Supply	From Outdoor Unit



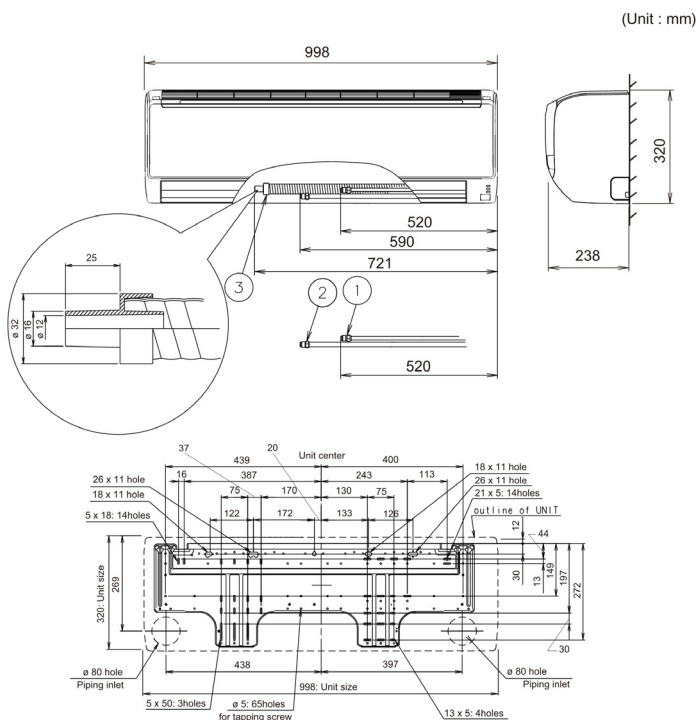
#### Document Downloads

- [Airflow - Fan Curve](#)
- [Controls & Accessories](#)
- [Dimensional Drawing](#)
- [Electrical Characteristics](#)
- [Function Settings](#)
- [Inputs & Outputs](#)
- [Installation Manual](#)
- [Noise Curve](#)
- [Operation Manual](#)

- [Product Image](#)
- [Spare Parts List All Pages](#)
- [Specifications](#)
- [Wiring Diagram](#)

#### Related Items

- [AOYG45LBLA6](#) 12.5kW 6 Way Multi Outdoor Unit - R410A 1 Ph



\*Specifications and design are subject to change without notice for further improvement.

\*Actual products' colors may be different from the colors shown in this printed material.

### AOYG24LFCC

Please visit our webstore for full product and technical documentation 

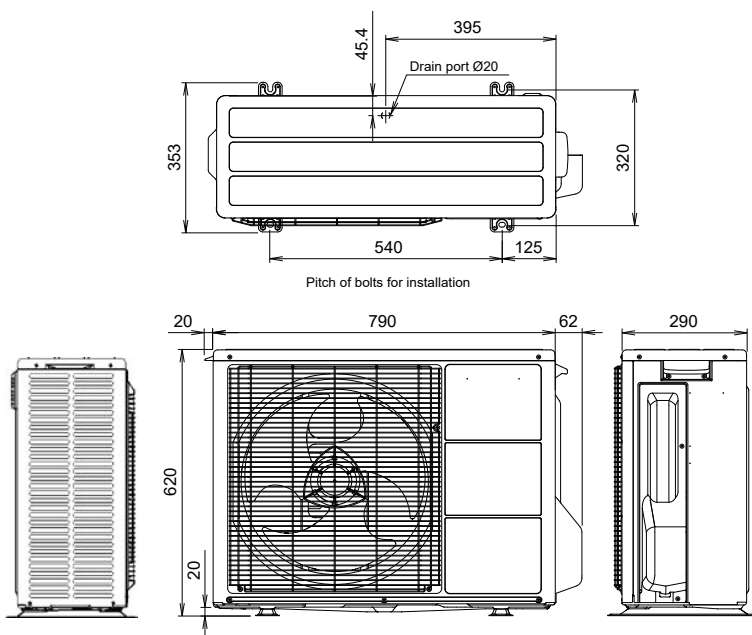
Nominal Cooling Capacity	(kW)	7.1
Nominal Heating Capacity	(kW)	8.0
Height	(mm)	620
Width	(mm)	790
Depth	(mm)	290
Weight	(kg)	41
Airflow Rate - Cooling - High	(m <sup>3</sup> /h)	2460
Airflow Rate - Heating - High	(m <sup>3</sup> /h)	2340
Sound Pressure Level - Cooling - High	(dB(A))	55
Sound Pressure Level - Heating - High	(dB(A))	56
Sound Power Level - Cooling - High	(dB(A))	68
Sound Power Level - Heating - High	(dB(A))	69
Refrigerant Type (Global Warming Potential)		R410A (2,088)
Liquid Pipe Size		1/4"
Gas Pipe Size		5/8"
Min - Max Pipe Length	(m)	5 - 30
Max Height Difference	(m)	20
Refrigerant Charge (kg)	(kg)	1.8
Refrigerant CO <sub>2</sub> eq-T		3.758
Precharged For	(m)	15
Additional Charge (g/m)	(g/m)	20
Unit Power Supply		1Ph-230V-50Hz
Suggested Fuse Size	(A)	20
Cooling Mode Minimum Ambient	(°C)	-10
Cooling Mode Maximum Ambient	(°C)	46
Heating Mode Minimum Ambient	(°C)	-15
Heating Mode Maximum Ambient	(°C)	24



#### Document Downloads

- [Airflow](#)
- [Capacity Correction](#)
- [Dimensional Drawing](#)
- [Installation Manual](#)
- [Noise Curve](#)
- [Product Image](#)
- [Refrigerant Circuit](#)
- [Spare Parts List All Pages](#)
- [Specifications](#)

[Wiring Diagram](#)



Units: mm

\*Specifications and design are subject to change without notice for further improvement.

\*Actual products' colors may be different from the colors shown in this printed material.

# ASYG30LFCA

Please visit our webstore for full product and technical documentation 

Unit Type	Wall Mounted
Remote Controller	IR Included
Nominal Cooling Capacity (kW)	8.0
Nominal Heating Capacity (kW)	8.8
Height (mm)	320
Width (mm)	998
Depth (mm)	238
Weight (kg)	14
Airflow Rate - Cooling - High (m <sup>3</sup> /h)	1100
Airflow Rate - Heating - High (m <sup>3</sup> /h)	1150
Sound Pressure Level - Cooling - High (dB(A))	48
Sound Pressure Level - Cooling - Low (dB(A))	33
Sound Pressure Level - Heating - High (dB(A))	49
Sound Pressure Level - Heating - Low (dB(A))	33
Sound Power Level - Cooling - High (dB(A))	64
Sound Power Level - Heating - High (dB(A))	64
Moisture Removal (l/h)	3.2
Refrigerant Type (Global Warming Potential)	R410A (2,088)
Liquid Pipe Size	3/8"
Gas Pipe Size	5/8"
Unit Power Supply	From Outdoor Unit

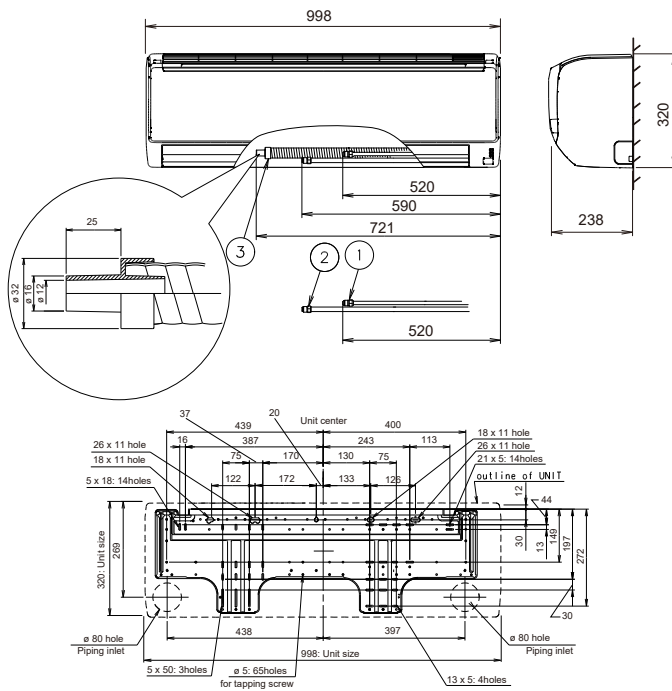


### Document Downloads

- [Airflow - Fan Curve](#)
- [Controls & Accessories](#)
- [Dimensional Drawing](#)
- [Function Settings](#)
- [Inputs & Outputs](#)
- [Installation Manual](#)
- [Noise Curve](#)
- [Product Image](#)
- [Spare Parts List All Pages](#)

- [Specifications](#)
- [Wiring Diagram](#)

(Unit : mm)



\*Specifications and design are subject to change without notice for further improvement.  
 •Actual products' colors may be different from the colors shown in this printed material.



### AOYG30LFT

Please visit our webstore for full product and technical documentation 

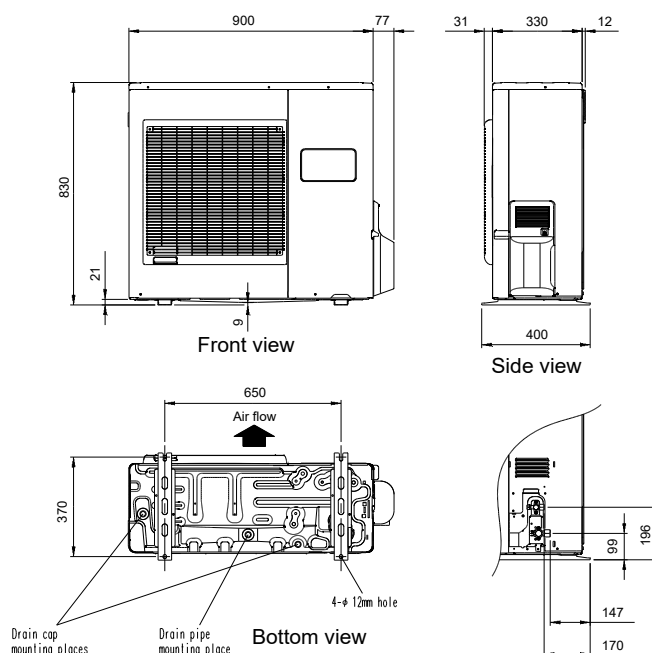
Nominal Cooling Capacity	(kW)	8.0
Nominal Heating Capacity	(kW)	8.8
Height	(mm)	830
Width	(mm)	900
Depth	(mm)	330
Weight	(kg)	61
Airflow Rate - Cooling - High	(m3/h)	3600
Airflow Rate - Heating - High	(m3/h)	3600
Sound Pressure Level - Cooling - High	(dB(A))	53
Sound Pressure Level - Heating - High	(dB(A))	55
Sound Power Level - Cooling - High	(dB(A))	68
Sound Power Level - Heating - High	(dB(A))	71
Refrigerant Type (Global Warming Potential)		R410A (2,088)
Liquid Pipe Size		3/8"
Gas Pipe Size		5/8"
Min - Max Pipe Length	(m)	5 - 50
Max Height Difference	(m)	30
Refrigerant Charge (kg)	(kg)	2.1
Refrigerant CO2eq-T		4.385
Precharged For	(m)	20
Additional Charge (g/m)	(g/m)	40
Unit Power Supply		1Ph-230V-50Hz
Suggested Fuse Size	(A)	20
Cooling Mode Minimum Ambient	(°C)	-10
Cooling Mode Maximum Ambient	(°C)	46
Heating Mode Minimum Ambient	(°C)	-15
Heating Mode Maximum Ambient	(°C)	24



#### Document Downloads

- [Airflow](#)
- [Capacity Correction](#)
- [Dimensional Drawing](#)
- [Installation Manual](#)
- [Noise Curve](#)
- [Product Image](#)
- [Refrigerant Circuit](#)
- [Spare Parts List All Pages](#)
- [Specifications](#)

[Wiring Diagram](#)



Units: mm

\*Specifications and design are subject to change without notice for further improvement.

\*Actual products' colors may be different from the colors shown in this printed material.

## AGYG09LVCA

Please visit our webstore for full product and technical documentation 

Unit Type		Floor Standing
Remote Controller		IR Included
Nominal Cooling Capacity	(kW)	2.6
Nominal Heating Capacity	(kW)	3.5
Height	(mm)	600
Width	(mm)	740
Depth	(mm)	200
Weight	(kg)	14
Airflow Rate - Cooling - High	(m <sup>3</sup> /h)	570
Airflow Rate - Heating - High	(m <sup>3</sup> /h)	600
Sound Pressure Level - Cooling - High	(dB(A))	40
Sound Pressure Level - Cooling - Low	(dB(A))	22
Sound Pressure Level - Heating - High	(dB(A))	40
Sound Pressure Level - Heating - Low	(dB(A))	22
Sound Power Level - Cooling - High	(dB(A))	55
Sound Power Level - Heating - High	(dB(A))	56
Moisture Removal	(l/h)	1.3
Refrigerant Type (Global Warming Potential)		R410A (2,088)
Liquid Pipe Size		1/4"
Gas Pipe Size		3/8"
Unit Power Supply		From Outdoor Unit



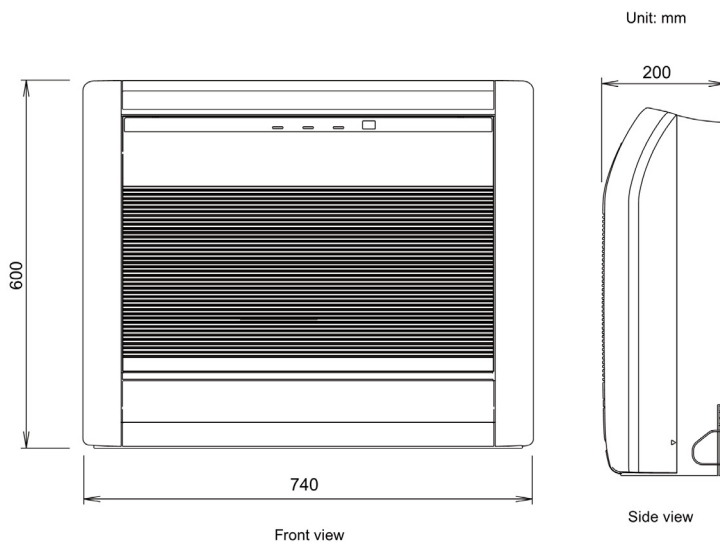
### Document Downloads

[Airflow - Fan Curve](#)  
[Controls & Accessories](#)  
[Dimensional Drawing](#)  
[Electrical Characteristics](#)  
[Function Settings](#)  
[Inputs & Outputs](#)  
[Installation Manual](#)  
[Noise Curve](#)  
[Operation Manual](#)

[Product Image](#)  
[Spare Parts List All Pages](#)  
[Specifications](#)  
[Wiring Diagram](#)

### Related Items

[AOYG45LBA6](#) 12.5kW 6 Way Multi Outdoor Unit - R410A 1 Ph



### AOYG09LVCA

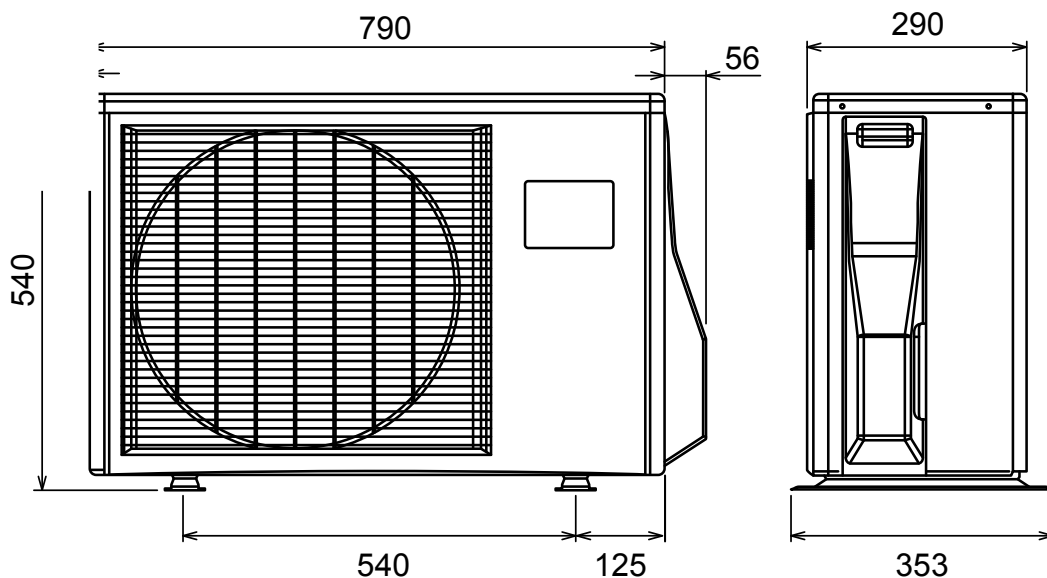
Please visit our webstore for full product and technical documentation 

Nominal Cooling Capacity	(kW)	2.6
Nominal Heating Capacity	(kW)	3.5
Height	(mm)	540
Width	(mm)	790
Depth	(mm)	290
Weight	(kg)	36
Airflow Rate - Cooling - High	(m3/h)	1680
Airflow Rate - Heating - High	(m3/h)	1490
Sound Pressure Level - Cooling - High	(dB(A))	47
Sound Pressure Level - Heating - High	(dB(A))	48
Sound Power Level - Cooling - High	(dB(A))	
Sound Power Level - Heating - High	(dB(A))	
Refrigerant Type (Global Warming Potential)		R410A (2,088)
Liquid Pipe Size		1/4"
Gas Pipe Size		3/8"
Min - Max Pipe Length	(m)	5 - 20
Max Height Difference	(m)	15
Refrigerant Charge (kg)	(kg)	1.05
Refrigerant CO2eq-T		2.192
Precharged For	(m)	15
Additional Charge (g/m)	(g/m)	20
Unit Power Supply		1Ph-230V-50Hz
Suggested Fuse Size	(A)	10
Cooling Mode Minimum Ambient	(°C)	-10
Cooling Mode Maximum Ambient	(°C)	43
Heating Mode Minimum Ambient	(°C)	-15
Heating Mode Maximum Ambient	(°C)	24



#### Document Downloads

- [Airflow](#)
- [Capacity Correction](#)
- [Charging Details](#)
- [Design & Technical Manual](#)
- [Dimensional Drawing](#)
- [Electrical Characteristics](#)
- [Installation Manual](#)
- [Noise Curve](#)
- [Product Image](#)
- [Refrigerant Circuit](#)
- [Spare Parts List All Pages](#)
- [Specifications](#)
- [Wiring Diagram](#)



Units: mm

\*Specifications and design are subject to change without notice for further improvement.

\*Actual products' colors may be different from the colors shown in this printed material.

## AGYG12LVCA

Please visit our webstore for full product and technical documentation 

Unit Type	Floor Standing
Remote Controller	IR Included
Nominal Cooling Capacity (kW)	3.5
Nominal Heating Capacity (kW)	4.5
Height (mm)	600
Width (mm)	740
Depth (mm)	200
Weight (kg)	14
Airflow Rate - Cooling - High (m <sup>3</sup> /h)	570
Airflow Rate - Heating - High (m <sup>3</sup> /h)	600
Sound Pressure Level - Cooling - High (dB(A))	40
Sound Pressure Level - Cooling - Low (dB(A))	22
Sound Pressure Level - Heating - High (dB(A))	40
Sound Pressure Level - Heating - Low (dB(A))	22
Sound Power Level - Cooling - High (dB(A))	55
Sound Power Level - Heating - High (dB(A))	56
Moisture Removal (l/h)	1.8
Refrigerant Type (Global Warming Potential)	R410A (2,088)
Liquid Pipe Size	1/4"
Gas Pipe Size	3/8"
Unit Power Supply	From Outdoor Unit



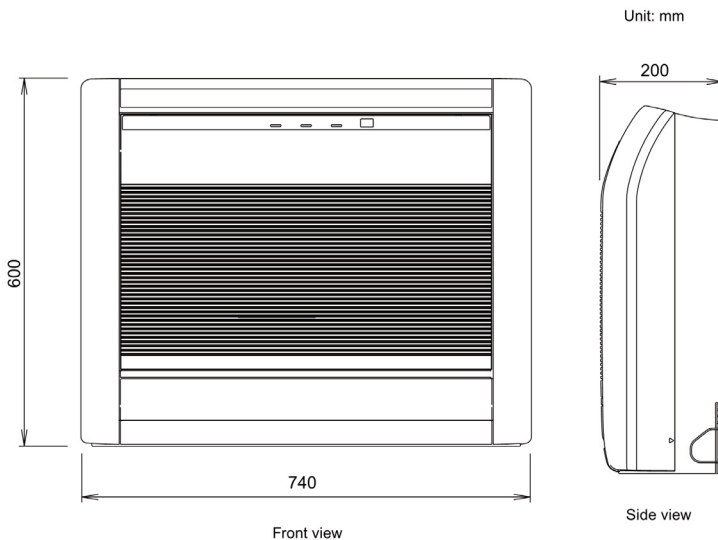
### Document Downloads

- [Airflow - Fan Curve](#)
- [Controls & Accessories](#)
- [Dimensional Drawing](#)
- [Electrical Characteristics](#)
- [Function Settings](#)
- [Inputs & Outputs](#)
- [Installation Manual](#)
- [Noise Curve](#)
- [Operation Manual](#)

- [Product Image](#)
- [Spare Parts List All Pages](#)
- [Specifications](#)
- [Wiring Diagram](#)

### Related Items

- [AOYG45LBA6](#) 12.5kW 6 Way Multi Outdoor Unit - R410A 1 Ph



\*Specifications and design are subject to change without notice for further improvement.  
 •Actual products' colors may be different from the colors shown in this printed material.

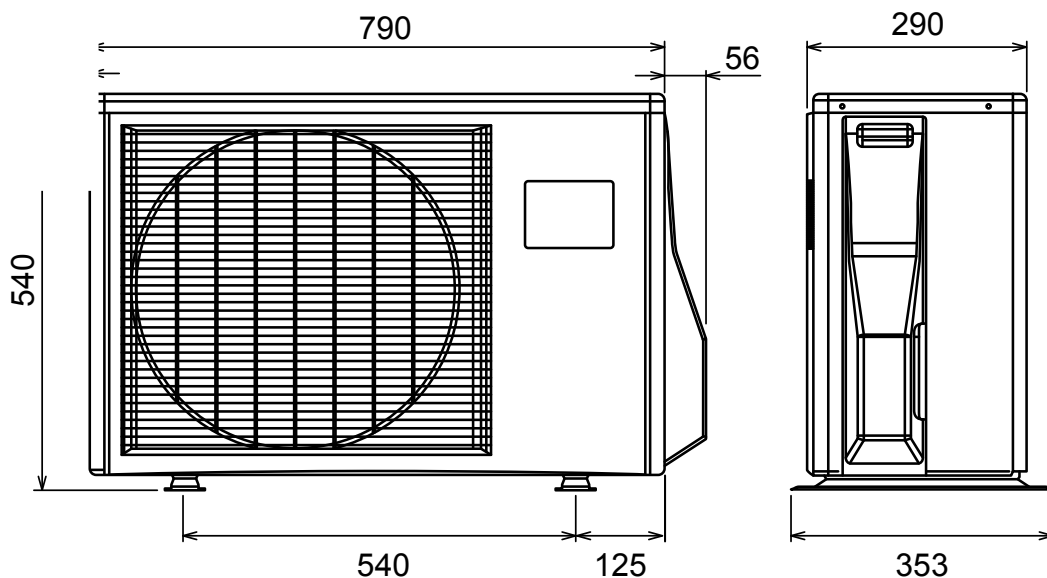
### AOYG12LVCA

Please visit our webstore for full product and technical documentation 

Nominal Cooling Capacity	(kW)	2.6
Nominal Heating Capacity	(kW)	3.5
Height	(mm)	540
Width	(mm)	790
Depth	(mm)	290
Weight	(kg)	36
Airflow Rate - Cooling - High	(m3/h)	1680
Airflow Rate - Heating - High	(m3/h)	1490
Sound Pressure Level - Cooling - High	(dB(A))	47
Sound Pressure Level - Heating - High	(dB(A))	48
Sound Power Level - Cooling - High	(dB(A))	
Sound Power Level - Heating - High	(dB(A))	
Refrigerant Type (Global Warming Potential)		R410A (2,088)
Liquid Pipe Size		1/4"
Gas Pipe Size		3/8"
Min - Max Pipe Length	(m)	5 - 20
Max Height Difference	(m)	15
Refrigerant Charge (kg)	(kg)	1.05
Refrigerant CO2eq-T		2.192
Precharged For	(m)	15
Additional Charge (g/m)	(g/m)	20
Unit Power Supply		1Ph-230V-50Hz
Suggested Fuse Size	(A)	10
Cooling Mode Minimum Ambient	(°C)	-10
Cooling Mode Maximum Ambient	(°C)	43
Heating Mode Minimum Ambient	(°C)	-15
Heating Mode Maximum Ambient	(°C)	24



#### Document Downloads

[Airflow](#)
[Capacity Correction](#)
[Charging Details](#)
[Design & Technical Manual](#)
[Dimensional Drawing](#)
[Electrical Characteristics](#)
[Installation Manual](#)
[Noise Curve](#)
[Product Image](#)
[Refrigerant Circuit](#)
[Spare Parts List All Pages](#)
[Specifications](#)
[Wiring Diagram](#)


Units: mm

\*Specifications and design are subject to change without notice for further improvement.

\*Actual products' colors may be different from the colors shown in this printed material.

## AGYG14LVCA

Please visit our webstore for full product and technical documentation 

Unit Type	Floor Standing
Remote Controller	IR Included
Nominal Cooling Capacity (kW)	4.2
Nominal Heating Capacity (kW)	5.2
Height (mm)	600
Width (mm)	740
Depth (mm)	200
Weight (kg)	14
Airflow Rate - Cooling - High (m <sup>3</sup> /h)	650
Airflow Rate - Heating - High (m <sup>3</sup> /h)	650
Sound Pressure Level - Cooling - High (dB(A))	44
Sound Pressure Level - Cooling - Low (dB(A))	22
Sound Pressure Level - Heating - High (dB(A))	43
Sound Pressure Level - Heating - Low (dB(A))	22
Sound Power Level - Cooling - High (dB(A))	58
Sound Power Level - Heating - High (dB(A))	58
Moisture Removal (l/h)	2.1
Refrigerant Type (Global Warming Potential)	R410A (2,088)
Liquid Pipe Size	1/4"
Gas Pipe Size	1/2"
Unit Power Supply	From Outdoor Unit



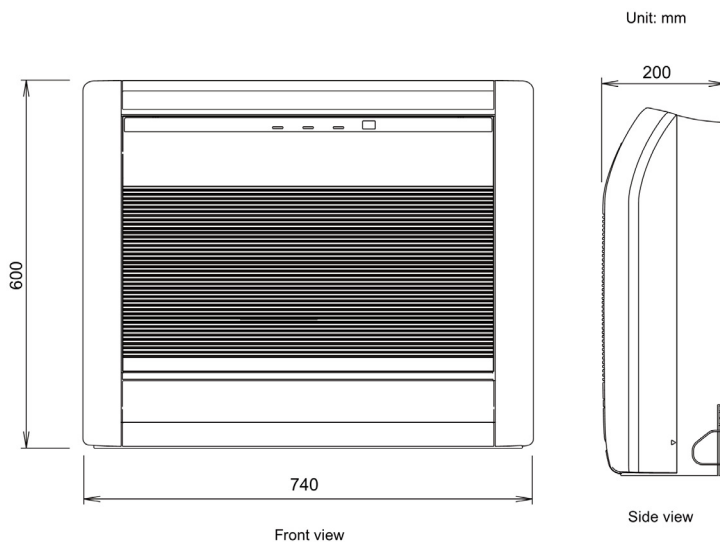
### Document Downloads

- [Airflow - Fan Curve](#)
- [Controls & Accessories](#)
- [Dimensional Drawing](#)
- [Electrical Characteristics](#)
- [Function Settings](#)
- [Inputs & Outputs](#)
- [Installation Manual](#)
- [Noise Curve](#)
- [Operation Manual](#)

- [Product Image](#)
- [Spare Parts List All Pages](#)
- [Specifications](#)
- [Wiring Diagram](#)

### Related Items

- [AOYG45LBLA6](#) 12.5kW 6 Way Multi Outdoor Unit - R410A 1 Ph



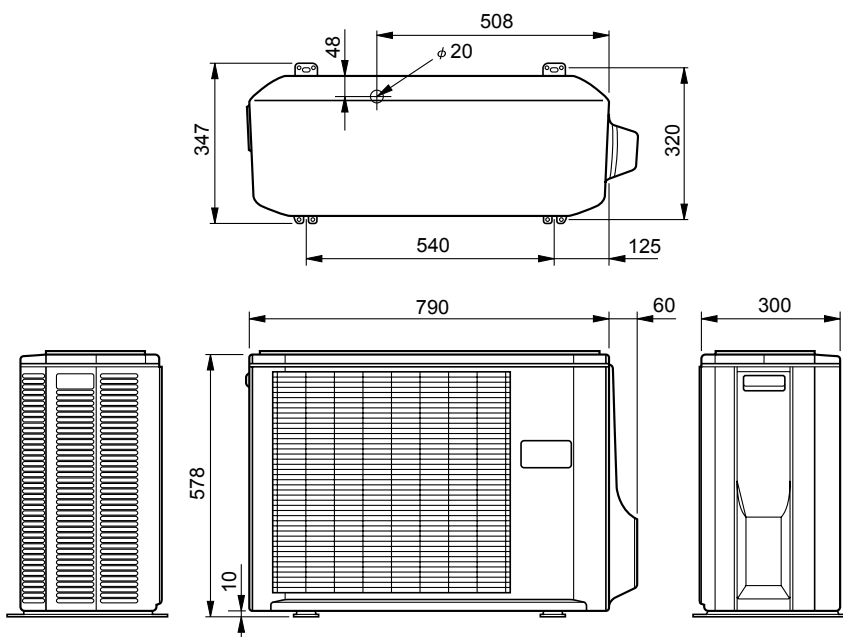
## AOYG14LVLA

Please visit our webstore for full product and technical documentation 



Nominal Cooling Capacity	(kW)	4.2
Nominal Heating Capacity	(kW)	5.2
Height	(mm)	578
Width	(mm)	790
Depth	(mm)	300
Weight	(kg)	40
Airflow Rate - Cooling - High	(m <sup>3</sup> /h)	1910
Airflow Rate - Heating - High	(m <sup>3</sup> /h)	1750
Sound Pressure Level - Cooling - High	(dB(A))	50
Sound Pressure Level - Heating - High	(dB(A))	50
Sound Power Level - Cooling - High	(dB(A))	65
Sound Power Level - Heating - High	(dB(A))	66
Refrigerant Type (Global Warming Potential)		R410A (2,088)
Liquid Pipe Size		1/4"
Gas Pipe Size		1/2"
Min - Max Pipe Length	(m)	5 - 20
Max Height Difference	(m)	15
Refrigerant Charge (kg)	(kg)	1.15
Refrigerant CO <sub>2</sub> eq-T		2.401
Precharged For	(m)	15
Additional Charge (g/m)	(g/m)	20
Unit Power Supply		1Ph-230V-50Hz
Suggested Fuse Size	(A)	16
Cooling Mode Minimum Ambient	(°C)	-10
Cooling Mode Maximum Ambient	(°C)	43
Heating Mode Minimum Ambient	(°C)	-15
Heating Mode Maximum Ambient	(°C)	24

### Document Downloads

[Airflow](#)
[Capacity Correction](#)
[Charging Details](#)
[Design & Technical Manual](#)
[Dimensional Drawing](#)
[Electrical Characteristics](#)
[Installation Manual](#)
[Noise Curve](#)
[Product Image](#)
[Refrigerant Circuit](#)
[Spare Parts List All Pages](#)
[Specifications](#)
[Wiring Diagram](#)


Units: mm

\*Specifications and design are subject to change without notice for further improvement.

\*Actual products' colors may be different from the colors shown in this printed material.

### AUYG12LVLB

Please visit our webstore for full product and technical documentation 

Unit Type	Compact Cassette	
Remote Controller	IR Included	
Nominal Cooling Capacity (kW)	3.5	
Nominal Heating Capacity (kW)	4.1	
Height (mm)	245	
Width (mm)	570	
Depth (mm)	570	
Weight (kg)	15	
Grille	UTGUFYDW	
Grille Dimensions (HxWxD) (mm)	49 x 700 x 700	
Grille Weight (kg)	2.6	
Airflow Rate - Cooling - High (m3/h)	600	
Airflow Rate - Heating - High (m3/h)	600	
Sound Pressure Level - Cooling - High (dB(A))	37	
Sound Pressure Level - Cooling - Low (dB(A))	27	
Sound Pressure Level - Heating - High (dB(A))	37	
Sound Pressure Level - Heating - Low (dB(A))	29	
Sound Power Level - Cooling - High (dB(A))	49	
Sound Power Level - Heating - High (dB(A))	49	
Moisture Removal (l/h)	1.2	
Refrigerant Type (Global Warming Potential)	R410A (2,088)	
Liquid Pipe Size	1/4"	
Gas Pipe Size	3/8"	
Unit Power Supply	From Outdoor Unit	



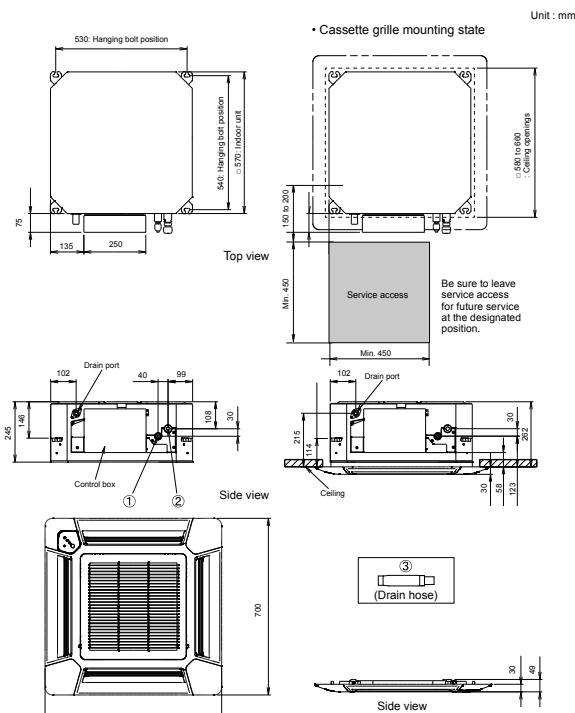
#### Document Downloads

- [Airflow - Fan Curve](#)
- [Controls & Accessories](#)
- [Dimensional Drawing](#)
- [Electrical Characteristics](#)
- [Function Settings](#)
- [Inputs & Outputs](#)
- [Installation Manual](#)
- [Noise Curve](#)
- [Operation Manual](#)

- [Product Image](#)
- [Spare Parts List All Pages](#)
- [Specifications](#)
- [Wiring Diagram](#)

#### Related Items

- [AOYG45LBLA6](#) 12.5kW 6 Way Multi Outdoor Unit - R410A 1 Ph
- [UTGUFYDW](#) Compact Cassette Grille



\*Specifications and design are subject to change without notice for further improvement.

\*Actual products' colors may be different from the colors shown in this printed material.



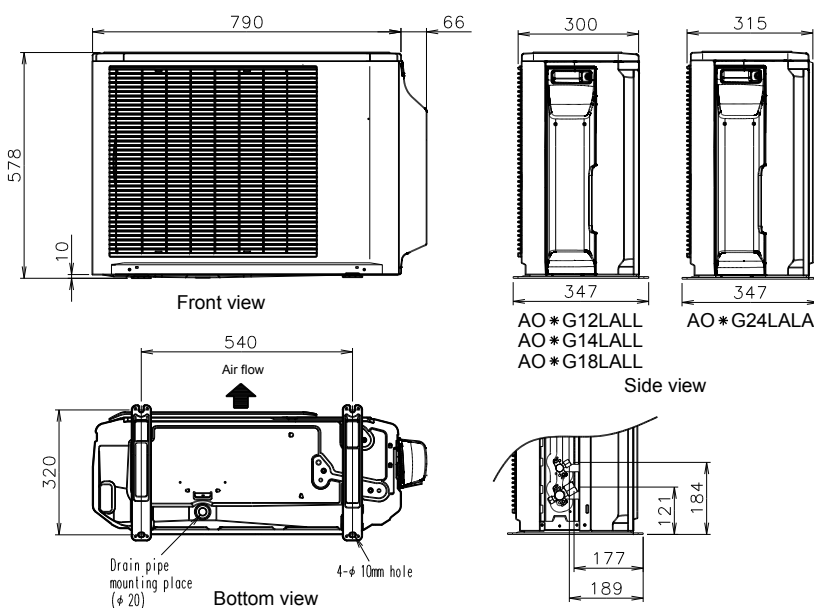
### AOYG12LALL

Please visit our webstore for full product and technical documentation 

Nominal Cooling Capacity	(kW)	3.5
Nominal Heating Capacity	(kW)	4.1
Height	(mm)	578
Width	(mm)	790
Depth	(mm)	300
Weight	(kg)	40
Airflow Rate - Cooling - High	(m3/h)	1780
Airflow Rate - Heating - High	(m3/h)	1630
Sound Pressure Level - Cooling - High	(dB(A))	47
Sound Pressure Level - Heating - High	(dB(A))	48
Sound Power Level - Cooling - High	(dB(A))	61
Sound Power Level - Heating - High	(dB(A))	63
Refrigerant Type (Global Warming Potential)		R410A (2,088)
Liquid Pipe Size		1/4"
Gas Pipe Size		3/8"
Min - Max Pipe Length	(m)	5 - 25
Max Height Difference	(m)	15
Refrigerant Charge (kg)	(kg)	1.15
Refrigerant CO2eq-T		2.401
Precharged For	(m)	15
Additional Charge (g/m)	(g/m)	20
Unit Power Supply		1Ph-230V-50Hz
Suggested Fuse Size	(A)	10
Cooling Mode Minimum Ambient	(°C)	-10
Cooling Mode Maximum Ambient	(°C)	46
Heating Mode Minimum Ambient	(°C)	-15
Heating Mode Maximum Ambient	(°C)	24



#### Document Downloads

[Airflow](#)
[Capacity Correction](#)
[Charging Details](#)
[Controls & Accessories](#)
[Dimensional Drawing](#)
[Electrical Characteristics](#)
[Installation Manual](#)
[Installation Space](#)
[Noise Curve](#)
[Product Image](#)
[Refrigerant Circuit](#)
[Spare Parts List All Pages](#)
[Specifications](#)
[Wiring Diagram](#)


Units: mm

\*Specifications and design are subject to change without notice for further improvement.  
\*Actual products' colors may be different from the colors shown in this printed material.

### AUYG14LVLB

Please visit our webstore for full product and technical documentation 

Unit Type	Compact Cassette	
Remote Controller	IR Included	
Nominal Cooling Capacity (kW)	4.3	
Nominal Heating Capacity (kW)	5.0	
Height (mm)	245	
Width (mm)	570	
Depth (mm)	570	
Weight (kg)	15	
Grille	UTGUFYDW	
Grille Dimensions (HxWxD) (mm)	49 x 700 x 700	
Grille Weight (kg)	2.6	
Airflow Rate - Cooling - High (m3/h)	680	
Airflow Rate - Heating - High (m3/h)	800	
Sound Pressure Level - Cooling - High (dB(A))	38	
Sound Pressure Level - Cooling - Low (dB(A))	27	
Sound Pressure Level - Heating - High (dB(A))	43	
Sound Pressure Level - Heating - Low (dB(A))	30	
Sound Power Level - Cooling - High (dB(A))	50	
Sound Power Level - Heating - High (dB(A))	55	
Moisture Removal (l/h)	1.5	
Refrigerant Type (Global Warming Potential)	R410A (2,088)	
Liquid Pipe Size	1/4"	
Gas Pipe Size	1/2"	
Unit Power Supply	From Outdoor Unit	



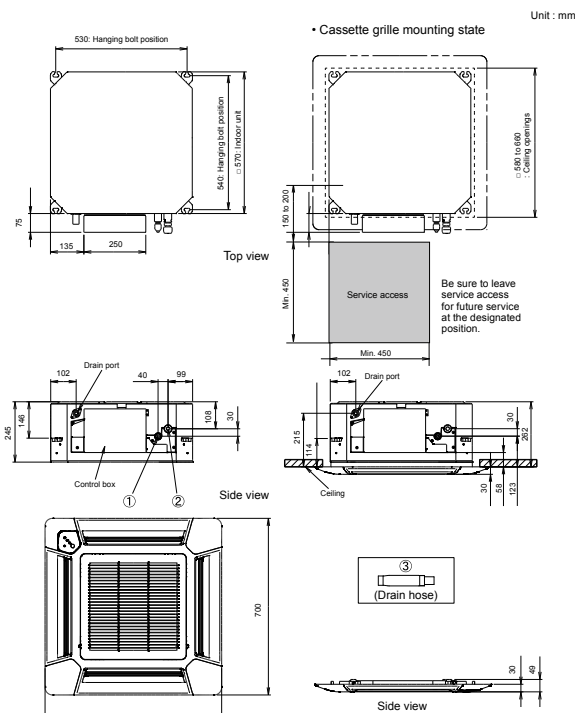
#### Document Downloads

- [Airflow - Fan Curve](#)
- [Controls & Accessories](#)
- [Dimensional Drawing](#)
- [Electrical Characteristics](#)
- [Function Settings](#)
- [Inputs & Outputs](#)
- [Installation Manual](#)
- [Noise Curve](#)
- [Operation Manual](#)

- [Product Image](#)
- [Spare Parts List All Pages](#)
- [Specifications](#)
- [Wiring Diagram](#)

#### Related Items

- [AOYG45LBLA6](#) 12.5kW 6 Way Multi Outdoor Unit - R410A 1 Ph
- [UTGUFYDW](#) Compact Cassette Grille



\*Specifications and design are subject to change without notice for further improvement.

\*Actual products' colors may be different from the colors shown in this printed material.

### AOYG14LALL

Please visit our webstore for full product and technical documentation 

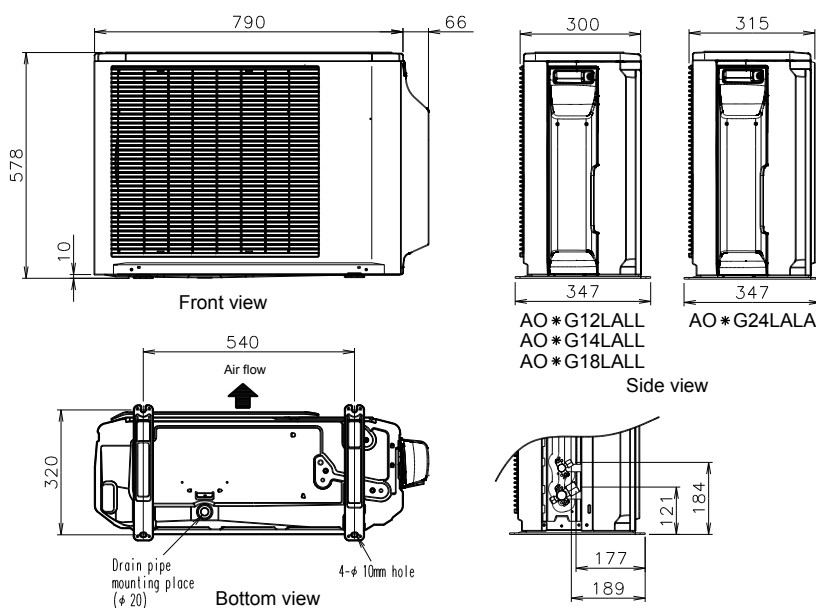
Nominal Cooling Capacity	(kW)	4.3
Nominal Heating Capacity	(kW)	5.0
Height	(mm)	578
Width	(mm)	790
Depth	(mm)	300
Weight	(kg)	40
Airflow Rate - Cooling - High	(m3/h)	1910
Airflow Rate - Heating - High	(m3/h)	1740
Sound Pressure Level - Cooling - High	(dB(A))	49
Sound Pressure Level - Heating - High	(dB(A))	49
Sound Power Level - Cooling - High	(dB(A))	62
Sound Power Level - Heating - High	(dB(A))	64
Refrigerant Type (Global Warming Potential)		R410A (2,088)
Liquid Pipe Size		1/4"
Gas Pipe Size		1/2"
Min - Max Pipe Length	(m)	5 - 25
Max Height Difference	(m)	15
Refrigerant Charge (kg)	(kg)	1.25
Refrigerant CO2eq-T		2.61
Precharged For	(m)	15
Additional Charge (g/m)	(g/m)	20
Unit Power Supply		1Ph-230V-50Hz
Suggested Fuse Size	(A)	16
Cooling Mode Minimum Ambient	(°C)	-10
Cooling Mode Maximum Ambient	(°C)	46
Heating Mode Minimum Ambient	(°C)	-15
Heating Mode Maximum Ambient	(°C)	24



#### Document Downloads

- [Airflow](#)
- [Capacity Correction](#)
- [Charging Details](#)
- [Controls & Accessories](#)
- [Dimensional Drawing](#)
- [Electrical Characteristics](#)
- [Installation Manual](#)
- [Installation Space](#)
- [Noise Curve](#)

- [Product Image](#)
- [Refrigerant Circuit](#)
- [Spare Parts List All Pages](#)
- [Specifications](#)
- [Wiring Diagram](#)



Units: mm

\*Specifications and design are subject to change without notice for further improvement.

\*Actual products' colors may be different from the colors shown in this printed material.

### AUYG18LVLB

Please visit our webstore for full product and technical documentation 

Unit Type	Compact Cassette	
Remote Controller	IR Included	
Nominal Cooling Capacity (kW)	5.2	
Nominal Heating Capacity (kW)	6.0	
Height (mm)	245	
Width (mm)	570	
Depth (mm)	570	
Weight (kg)	15	
Grille	UTGUFYDW	
Grille Dimensions (HxWxD) (mm)	49 x 700 x 700	
Grille Weight (kg)	2.6	
Airflow Rate - Cooling - High (m3/h)	680	
Airflow Rate - Heating - High (m3/h)	800	
Sound Pressure Level - Cooling - High (dB(A))	38	
Sound Pressure Level - Cooling - Low (dB(A))	26	
Sound Pressure Level - Heating - High (dB(A))	43	
Sound Pressure Level - Heating - Low (dB(A))	30	
Sound Power Level - Cooling - High (dB(A))	50	
Sound Power Level - Heating - High (dB(A))	55	
Moisture Removal (l/h)	2.2	
Refrigerant Type (Global Warming Potential)	R410A (2,088)	
Liquid Pipe Size	1/4"	
Gas Pipe Size	1/2"	
Unit Power Supply	From Outdoor Unit	

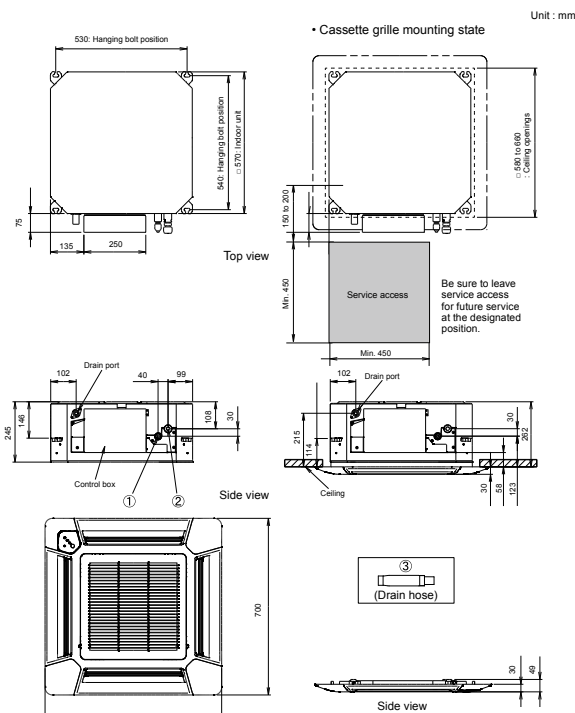


#### Document Downloads

- [Airflow - Fan Curve](#)
- [Controls & Accessories](#)
- [Dimensional Drawing](#)
- [Electrical Characteristics](#)
- [Function Settings](#)
- [Inputs & Outputs](#)
- [Installation Manual](#)
- [Noise Curve](#)
- [Operation Manual](#)
- [Product Image](#)
- [Spare Parts List All Pages](#)
- [Specifications](#)
- [Wiring Diagram](#)

#### Related Items

- [AOYG45LBLA6](#) 12.5kW 6 Way Multi Outdoor Unit - R410A 1 Ph
- [UTGUFYDW](#) Compact Cassette Grille

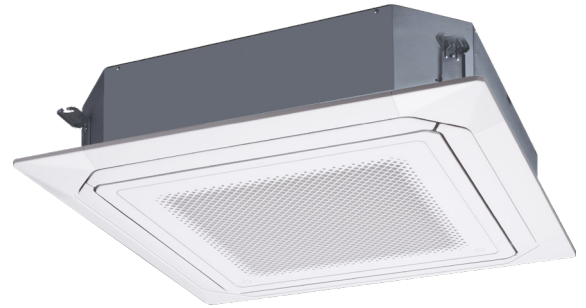


\*Specifications and design are subject to change without notice for further improvement.  
 \*Actual products' colors may be different from the colors shown in this printed material.

### AUXG18LRLB

Please visit our webstore for full product and technical documentation 

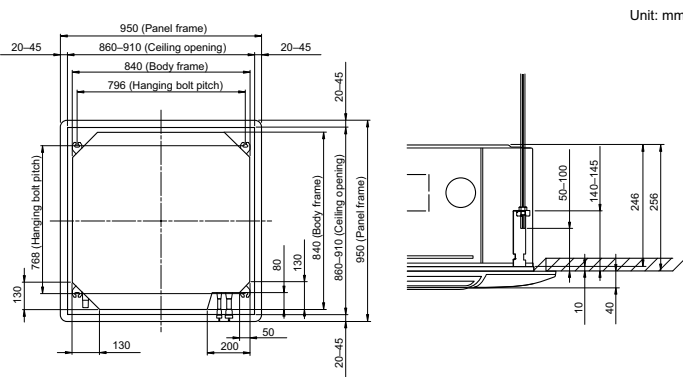
Unit Type	Circular Flow Cassette	
Remote Controller	RC Inc with Grille	
Nominal Cooling Capacity (kW)	5.2	
Nominal Heating Capacity (kW)	6.0	
Height (mm)	246	
Width (mm)	840	
Depth (mm)	840	
Weight (kg)	24	
Grille	UTGUKYAW	
Grille Dimensions (HxWxD) (mm)	53 x 950 x 950	
Grille Weight (kg)	6	
Airflow Rate - Cooling - High (m3/h)	1050	
Airflow Rate - Heating - High (m3/h)	1050	
Sound Pressure Level - Cooling - High (dB(A))	33	
Sound Pressure Level - Cooling - Low (dB(A))	28	
Sound Pressure Level - Heating - High (dB(A))	33	
Sound Pressure Level - Heating - Low (dB(A))	28	
Sound Power Level - Cooling - High (dB(A))	47	
Sound Power Level - Heating - High (dB(A))	47	
Moisture Removal (l/h)	2.2	
Refrigerant Type (Global Warming Potential)	R410A (2,088)	
Liquid Pipe Size	1/4"	
Gas Pipe Size	1/2"	
Unit Power Supply	From Outdoor Unit	



#### Document Downloads

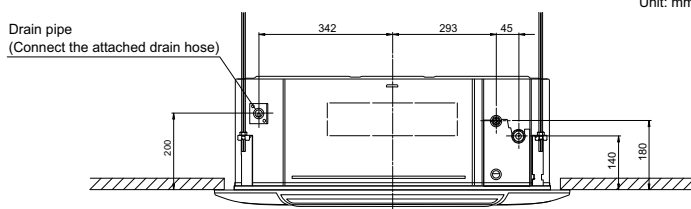
- [Airflow - Fan Curve](#)
- [Controls & Accessories](#)
- [Dimensional Drawing](#)
- [Function Settings](#)
- [Inputs & Outputs](#)
- [Installation Manual](#)
- [Noise Curve](#)
- [Product Image](#)
- [Spare Parts List All Pages](#)

- [Specifications](#)
- [Wiring Diagram](#)



Unit: mm

#### Refrigerant piping and drain piping positions



Unit: mm

\*Specifications and design are subject to change without notice for further improvement.  
 •Actual products' colors may be different from the colors shown in this printed material.

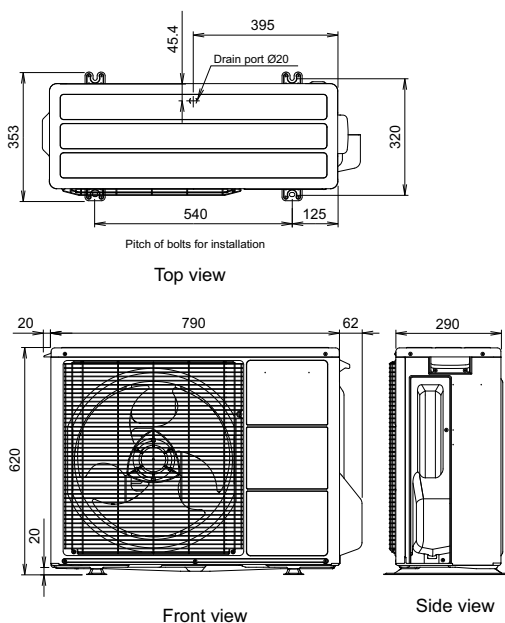
### AOYG18LBCA

Please visit our [webstore](#) for full product and technical documentation 

Nominal Cooling Capacity	(kW)	5.2
Nominal Heating Capacity	(kW)	6.0
Height	(mm)	620
Width	(mm)	790
Depth	(mm)	290
Weight	(kg)	41
Airflow Rate - Cooling - High	(m <sup>3</sup> /h)	1900
Airflow Rate - Heating - High	(m <sup>3</sup> /h)	1700
Sound Pressure Level - Cooling - High	(dB(A))	51
Sound Pressure Level - Heating - High	(dB(A))	51
Sound Power Level - Cooling - High	(dB(A))	64
Sound Power Level - Heating - High	(dB(A))	62
Refrigerant Type (Global Warming Potential)		R410A (2,088)
Liquid Pipe Size		1/4"
Gas Pipe Size		1/2"
Min - Max Pipe Length	(m)	5 - 30
Max Height Difference	(m)	20
Refrigerant Charge (kg)	(kg)	1.8
Refrigerant CO <sub>2</sub> eq-T		3.758
Precharged For	(m)	15
Additional Charge (g/m)	(g/m)	20
Unit Power Supply		1Ph-230V-50Hz
Suggested Fuse Size	(A)	16
Cooling Mode Minimum Ambient	(°C)	-15
Cooling Mode Maximum Ambient	(°C)	46
Heating Mode Minimum Ambient	(°C)	-15
Heating Mode Maximum Ambient	(°C)	24



#### Document Downloads

[Accessories](#)
[Airflow](#)
[Capacity Correction](#)
[Charging Details](#)
[Controls & Accessories](#)
[Dimensional Drawing](#)
[Electrical Characteristics](#)
[Function Settings](#)
[Inputs & Outputs](#)
[Installation Manual](#)
[Installation Space](#)
[Noise Curve](#)
[Product Image](#)
[Refrigerant Circuit](#)
[Spare Parts List All Pages](#)
[Specifications](#)
[Wiring Diagram](#)


Units: mm

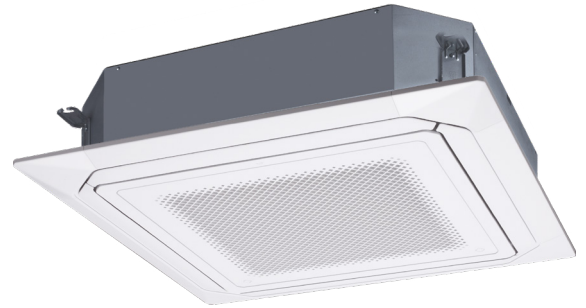
\*Specifications and design are subject to change without notice for further improvement.

\*Actual products' colors may be different from the colors shown in this printed material.

### AUXG24LRLB

Please visit our webstore for full product and technical documentation 

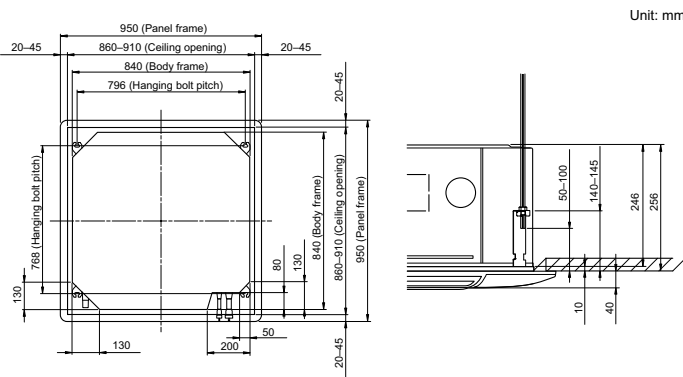
Unit Type	Circular Flow Cassette	
Remote Controller	RC Inc with Grille	
Nominal Cooling Capacity (kW)	6.8	
Nominal Heating Capacity (kW)	7.8	
Height (mm)	246	
Width (mm)	840	
Depth (mm)	840	
Weight (kg)	24	
Grille	UTGUKYAW	
Grille Dimensions (HxWxD) (mm)	53 x 950 x 950	
Grille Weight (kg)	6	
Airflow Rate - Cooling - High (m3/h)	1150	
Airflow Rate - Heating - High (m3/h)	1150	
Sound Pressure Level - Cooling - High (dB(A))	35	
Sound Pressure Level - Cooling - Low (dB(A))	29	
Sound Pressure Level - Heating - High (dB(A))	35	
Sound Pressure Level - Heating - Low (dB(A))	29	
Sound Power Level - Cooling - High (dB(A))	49	
Sound Power Level - Heating - High (dB(A))	49	
Moisture Removal (l/h)	2.7	
Refrigerant Type (Global Warming Potential)	R410A (2,088)	
Liquid Pipe Size	1/4"	
Gas Pipe Size	5/8"	
Unit Power Supply	From Outdoor Unit	



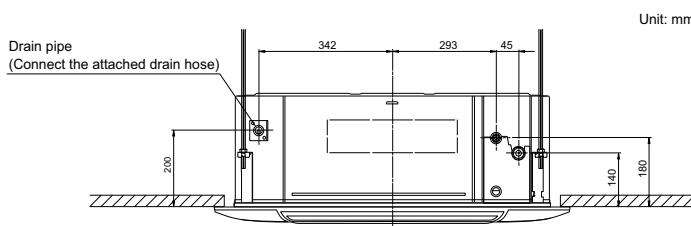
#### Document Downloads

- [Airflow - Fan Curve](#)
- [Controls & Accessories](#)
- [Dimensional Drawing](#)
- [Function Settings](#)
- [Inputs & Outputs](#)
- [Installation Manual](#)
- [Noise Curve](#)
- [Product Image](#)
- [Spare Parts List All Pages](#)

- [Specifications](#)
- [Wiring Diagram](#)



#### Refrigerant piping and drain piping positions



\*Specifications and design are subject to change without notice for further improvement.  
 •Actual products' colors may be different from the colors shown in this printed material.

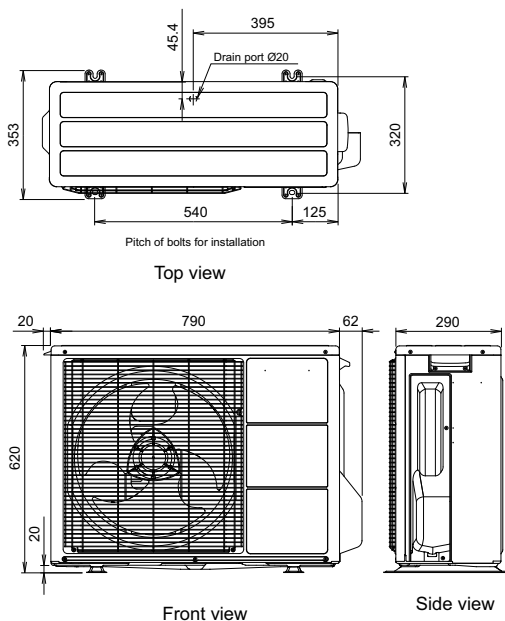
### AOYG24LBCA

Please visit our [webstore](#) for full product and technical documentation 

Nominal Cooling Capacity	(kW)	6.8
Nominal Heating Capacity	(kW)	7.8
Height	(mm)	620
Width	(mm)	790
Depth	(mm)	290
Weight	(kg)	41
Airflow Rate - Cooling - High	(m3/h)	2460
Airflow Rate - Heating - High	(m3/h)	2340
Sound Pressure Level - Cooling - High	(dB(A))	55
Sound Pressure Level - Heating - High	(dB(A))	56
Sound Power Level - Cooling - High	(dB(A))	68
Sound Power Level - Heating - High	(dB(A))	68
Refrigerant Type (Global Warming Potential)		R410A (2,088)
Liquid Pipe Size		1/4"
Gas Pipe Size		5/8"
Min - Max Pipe Length	(m)	5 - 30
Max Height Difference	(m)	20
Refrigerant Charge	(kg)	1.8
Refrigerant CO2eq-T		3.758
Precharged For	(m)	15
Additional Charge	(g/m)	20
Unit Power Supply		1Ph-230V-50Hz
Suggested Fuse Size	(A)	20
Cooling Mode Minimum Ambient	(°C)	-15
Cooling Mode Maximum Ambient	(°C)	46
Heating Mode Minimum Ambient	(°C)	-15
Heating Mode Maximum Ambient	(°C)	24



#### Document Downloads

[Accessories](#)
[Airflow](#)
[Capacity Correction](#)
[Charging Details](#)
[Controls & Accessories](#)
[Dimensional Drawing](#)
[Electrical Characteristics](#)
[Function Settings](#)
[Inputs & Outputs](#)
[Installation Manual](#)
[Installation Space](#)
[Noise Curve](#)
[Product Image](#)
[Refrigerant Circuit](#)
[Spare Parts List All Pages](#)
[Specifications](#)
[Wiring Diagram](#)


Units: mm

\*Specifications and design are subject to change without notice for further improvement.

\*Actual products' colors may be different from the colors shown in this printed material.



### AUXG30LRLB

Please visit our [webstore](#) for full product and technical documentation 

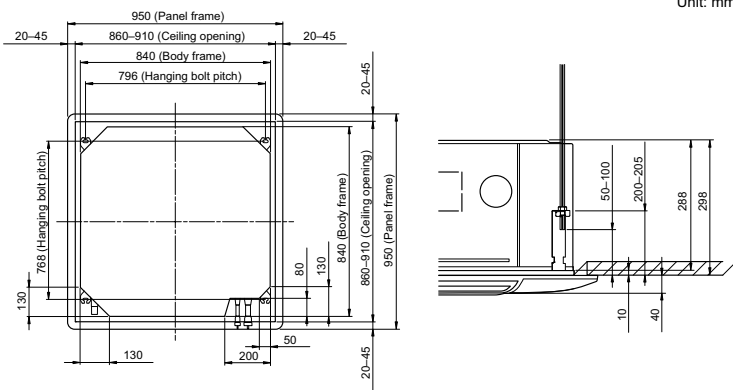
Unit Type	Circular Flow Cassette	
Remote Controller	RC Inc with Grille	
Nominal Cooling Capacity (kW)	8.5	
Nominal Heating Capacity (kW)	10.0	
Height (mm)	288	
Width (mm)	840	
Depth (mm)	840	
Weight (kg)	26	
Grille	UTGUKYAW	
Grille Dimensions (HxWxD) (mm)	53 x 950 x 950	
Grille Weight (kg)	6	
Airflow Rate - Cooling - High (m3/h)	1600	
Airflow Rate - Heating - High (m3/h)	1600	
Sound Pressure Level - Cooling - High (dB(A))	40	
Sound Pressure Level - Cooling - Low (dB(A))	33	
Sound Pressure Level - Heating - High (dB(A))	40	
Sound Pressure Level - Heating - Low (dB(A))	33	
Sound Power Level - Cooling - High (dB(A))	54	
Sound Power Level - Heating - High (dB(A))	54	
Moisture Removal (l/h)	2.5	
Refrigerant Type (Global Warming Potential)	R410A (2,088)	
Liquid Pipe Size	3/8"	
Gas Pipe Size	5/8"	
Unit Power Supply	From Outdoor Unit	



#### Document Downloads

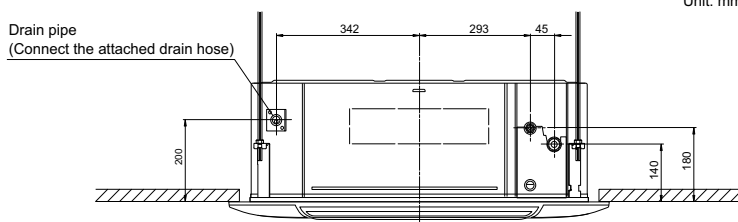
- [Airflow - Fan Curve](#)
- [Controls & Accessories](#)
- [Dimensional Drawing](#)
- [Function Settings](#)
- [Inputs & Outputs](#)
- [Installation Manual](#)
- [Noise Curve](#)
- [Product Image](#)
- [Spare Parts List All Pages](#)

- [Specifications](#)
- [Wiring Diagram](#)



Unit: mm

#### Refrigerant piping and drain piping positions



Unit: mm

\*Specifications and design are subject to change without notice for further improvement.  
 •Actual products' colors may be different from the colors shown in this printed material.

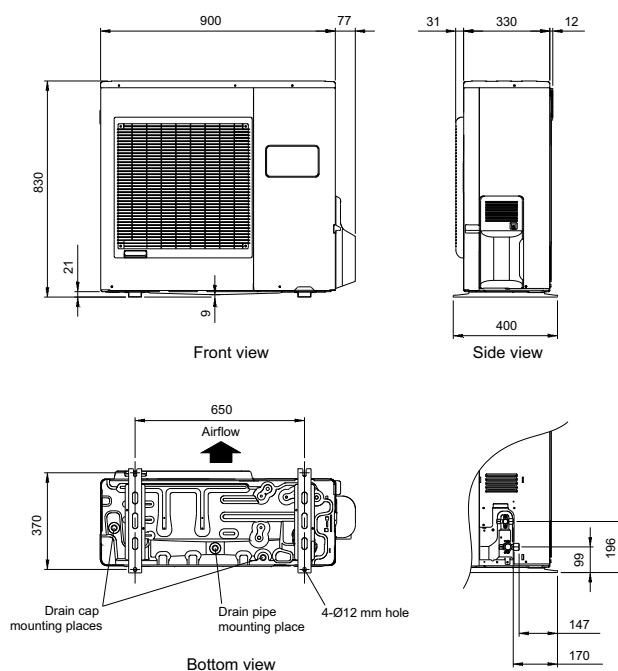
# AOYG30LBTA

Please visit our [webstore](#) for full product and technical documentation 

Nominal Cooling Capacity	(kW)	8.5
Nominal Heating Capacity	(kW)	10.0
Height	(mm)	830
Width	(mm)	900
Depth	(mm)	330
Weight	(kg)	61
Airflow Rate - Cooling - High	(m3/h)	3600
Airflow Rate - Heating - High	(m3/h)	3600
Sound Pressure Level - Cooling - High	(dB(A))	53
Sound Pressure Level - Heating - High	(dB(A))	55
Sound Power Level - Cooling - High	(dB(A))	68
Sound Power Level - Heating - High	(dB(A))	69
Refrigerant Type (Global Warming Potential)		R410A (2,088)
Liquid Pipe Size		3/8"
Gas Pipe Size		5/8"
Min - Max Pipe Length	(m)	5 - 50
Max Height Difference	(m)	30
Refrigerant Charge	(kg)	2.1
Refrigerant CO2eq-T		4.385
Precharged For	(m)	20
Additional Charge	(g/m)	40
Unit Power Supply		1Ph-230V-50Hz
Suggested Fuse Size	(A)	20
Cooling Mode Minimum Ambient	(°C)	-15
Cooling Mode Maximum Ambient	(°C)	46
Heating Mode Minimum Ambient	(°C)	-15
Heating Mode Maximum Ambient	(°C)	24



### Document Downloads

[Accessories](#)
[Airflow](#)
[Capacity Correction](#)
[Charging Details](#)
[Controls & Accessories](#)
[Dimensional Drawing](#)
[Electrical Characteristics](#)
[Function Settings](#)
[Inputs & Outputs](#)
[Installation Manual](#)
[Installation Space](#)
[Noise Curve](#)
[Product Image](#)
[Refrigerant Circuit](#)
[Spare Parts List All Pages](#)
[Specifications](#)
[Wiring Diagram](#)


Units: mm

\*Specifications and design are subject to change without notice for further improvement.

\*Actual products' colors may be different from the colors shown in this printed material.

### AUXG36LRLB

Please visit our webstore for full product and technical documentation 

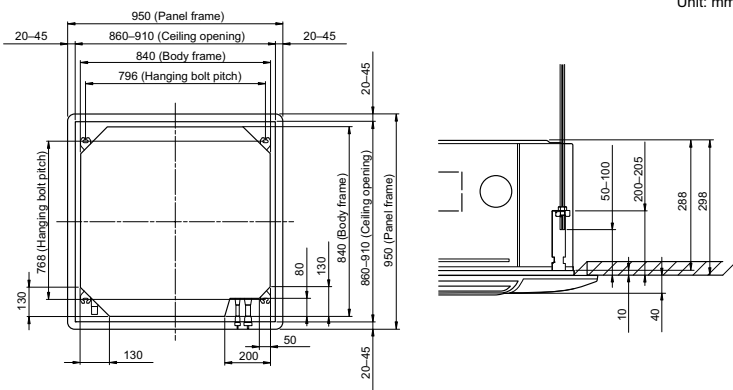
Unit Type	Circular Flow Cassette	
Remote Controller	RC Inc with Grille	
Nominal Cooling Capacity (kW)	9.5	
Nominal Heating Capacity (kW)	10.8	
Height (mm)	288	
Width (mm)	840	
Depth (mm)	840	
Weight (kg)	26	
Grille	UTGUKYAW	
Grille Dimensions (HxWxD) (mm)	53 x 950 x 950	
Grille Weight (kg)	6	
Airflow Rate - Cooling - High (m3/h)	1900	
Airflow Rate - Heating - High (m3/h)	1900	
Sound Pressure Level - Cooling - High (dB(A))	44	
Sound Pressure Level - Cooling - Low (dB(A))	34	
Sound Pressure Level - Heating - High (dB(A))	44	
Sound Pressure Level - Heating - Low (dB(A))	34	
Sound Power Level - Cooling - High (dB(A))	58	
Sound Power Level - Heating - High (dB(A))	58	
Moisture Removal (l/h)	3.3	
Refrigerant Type (Global Warming Potential)	R410A (2,088)	
Liquid Pipe Size	3/8"	
Gas Pipe Size	5/8"	
Unit Power Supply	From Outdoor Unit	



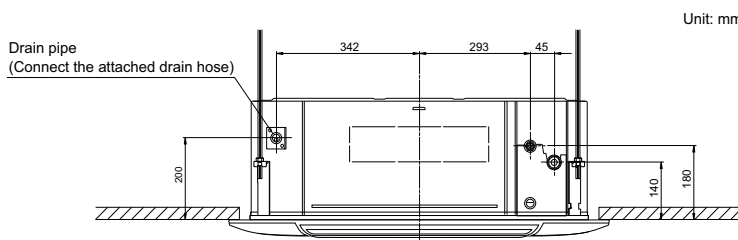
#### Document Downloads

- [Airflow - Fan Curve](#)
- [Controls & Accessories](#)
- [Dimensional Drawing](#)
- [Function Settings](#)
- [Inputs & Outputs](#)
- [Installation Manual](#)
- [Noise Curve](#)
- [Product Image](#)
- [Spare Parts List All Pages](#)

- [Specifications](#)
- [Wiring Diagram](#)



#### Refrigerant piping and drain piping positions



\*Specifications and design are subject to change without notice for further improvement.  
 •Actual products' colors may be different from the colors shown in this printed material.

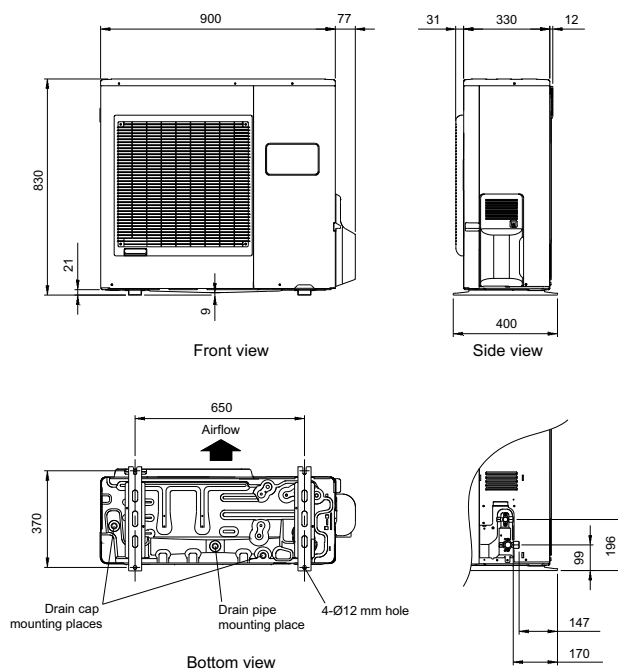
# AOYG36LBTA

Please visit our [webstore](#) for full product and technical documentation 

Nominal Cooling Capacity	(kW)	9.4
Nominal Heating Capacity	(kW)	10.8
Height	(mm)	830
Width	(mm)	900
Depth	(mm)	330
Weight	(kg)	61
Airflow Rate - Cooling - High	(m3/h)	3800
Airflow Rate - Heating - High	(m3/h)	3800
Sound Pressure Level - Cooling - High	(dB(A))	54
Sound Pressure Level - Heating - High	(dB(A))	55
Sound Power Level - Cooling - High	(dB(A))	69
Sound Power Level - Heating - High	(dB(A))	70
Refrigerant Type (Global Warming Potential)		R410A (2,088)
Liquid Pipe Size		3/8"
Gas Pipe Size		5/8"
Min - Max Pipe Length	(m)	5 - 50
Max Height Difference	(m)	30
Refrigerant Charge	(kg)	2.1
Refrigerant CO2eq-T		4.385
Precharged For	(m)	20
Additional Charge	(g/m)	40
Unit Power Supply		1Ph-230V-50Hz
Suggested Fuse Size	(A)	25
Cooling Mode Minimum Ambient	(°C)	-15
Cooling Mode Maximum Ambient	(°C)	46
Heating Mode Minimum Ambient	(°C)	-15
Heating Mode Maximum Ambient	(°C)	24



### Document Downloads

[Accessories](#)
[Airflow](#)
[Capacity Correction](#)
[Charging Details](#)
[Controls & Accessories](#)
[Dimensional Drawing](#)
[Electrical Characteristics](#)
[Function Settings](#)
[Inputs & Outputs](#)
[Installation Manual](#)
[Installation Space](#)
[Noise Curve](#)
[Product Image](#)
[Refrigerant Circuit](#)
[Spare Parts List All Pages](#)
[Specifications](#)
[Wiring Diagram](#)


Units: mm

\*Specifications and design are subject to change without notice for further improvement.  
 •Actual products' colors may be different from the colors shown in this printed material.

### AUXG45LRLB

Please visit our webstore for full product and technical documentation 

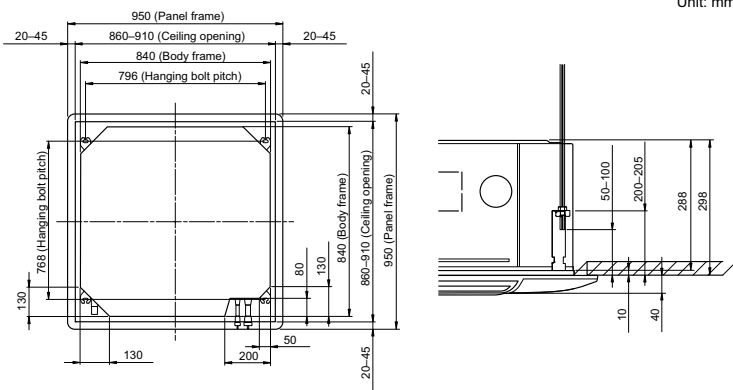
Unit Type	Circular Flow Cassette	
Remote Controller	RC Inc with Grille	
Nominal Cooling Capacity (kW)	12.5	
Nominal Heating Capacity (kW)	14.0	
Height (mm)	288	
Width (mm)	840	
Depth (mm)	840	
Weight (kg)	29	
Grille	UTGUKYAW	
Grille Dimensions (HxWxD) (mm)	53 x 950 x 950	
Grille Weight (kg)	6	
Airflow Rate - Cooling - High (m3/h)	2000	
Airflow Rate - Heating - High (m3/h)	2000	
Sound Pressure Level - Cooling - High (dB(A))	46	
Sound Pressure Level - Cooling - Low (dB(A))	35	
Sound Pressure Level - Heating - High (dB(A))	46	
Sound Pressure Level - Heating - Low (dB(A))	35	
Sound Power Level - Cooling - High (dB(A))	60	
Sound Power Level - Heating - High (dB(A))	60	
Moisture Removal (l/h)	4.5	
Refrigerant Type (Global Warming Potential)	R410A (2,088)	
Liquid Pipe Size	3/8"	
Gas Pipe Size	5/8"	
Unit Power Supply	From Outdoor Unit	



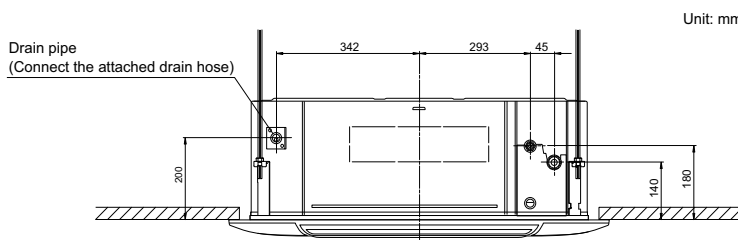
#### Document Downloads

- [Airflow - Fan Curve](#)
- [Controls & Accessories](#)
- [Dimensional Drawing](#)
- [Function Settings](#)
- [Inputs & Outputs](#)
- [Installation Manual](#)
- [Noise Curve](#)
- [Product Image](#)
- [Spare Parts List All Pages](#)

- [Specifications](#)
- [Wiring Diagram](#)



#### Refrigerant piping and drain piping positions

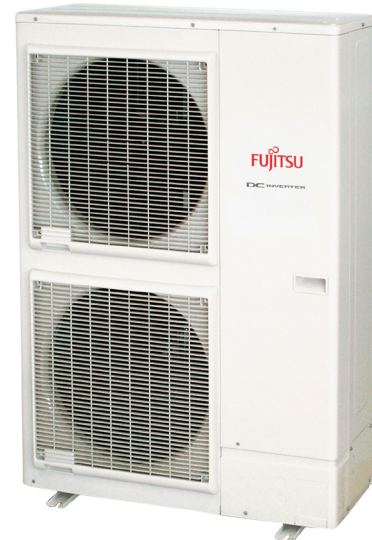


\*Specifications and design are subject to change without notice for further improvement.  
 •Actual products' colors may be different from the colors shown in this printed material.

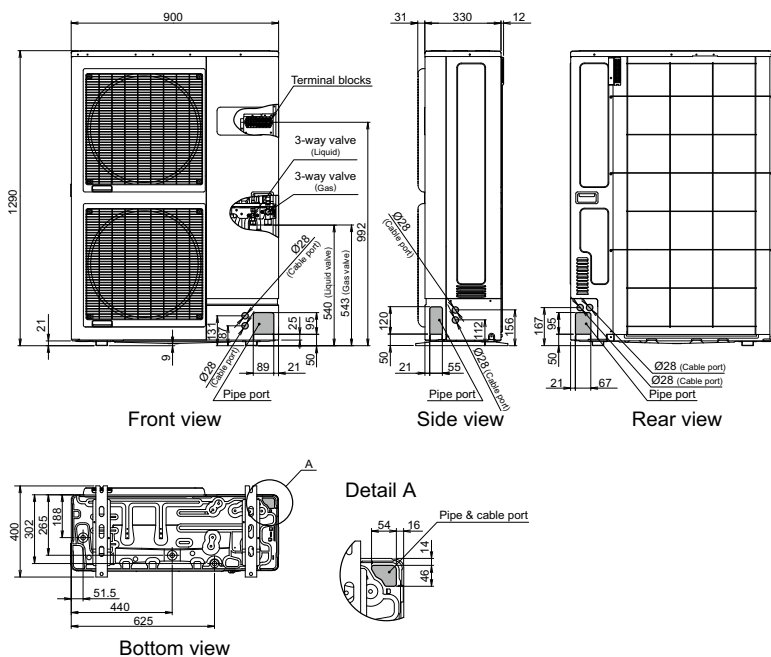
# AOYG45LBTA

Please visit our [webstore](#) for full product and technical documentation 

Nominal Cooling Capacity	(kW)	12.1
Nominal Heating Capacity	(kW)	13.3
Height	(mm)	1290
Width	(mm)	900
Depth	(mm)	330
Weight	(kg)	86
Airflow Rate - Cooling - High	(m <sup>3</sup> /h)	6750
Airflow Rate - Heating - High	(m <sup>3</sup> /h)	6200
Sound Pressure Level - Cooling - High	(dB(A))	55
Sound Pressure Level - Heating - High	(dB(A))	55
Sound Power Level - Cooling - High	(dB(A))	69
Sound Power Level - Heating - High	(dB(A))	68
Refrigerant Type (Global Warming Potential)		R410A (2,088)
Liquid Pipe Size		3/8"
Gas Pipe Size		5/8"
Min - Max Pipe Length	(m)	5 - 50
Max Height Difference	(m)	30
Refrigerant Charge (kg)	(kg)	3.35
Refrigerant CO <sub>2</sub> eq-T		6.995
Precharged For	(m)	20
Additional Charge (g/m)	(g/m)	40
Unit Power Supply		1Ph-230V-50Hz
Suggested Fuse Size	(A)	25
Cooling Mode Minimum Ambient	(°C)	-15
Cooling Mode Maximum Ambient	(°C)	46
Heating Mode Minimum Ambient	(°C)	-15
Heating Mode Maximum Ambient	(°C)	24



### Document Downloads

[Accessories](#)
[Airflow](#)
[Capacity Correction](#)
[Charging Details](#)
[Controls & Accessories](#)
[Dimensional Drawing](#)
[Electrical Characteristics](#)
[Function Settings](#)
[Inputs & Outputs](#)
[Installation Manual](#)
[Installation Space](#)
[Noise Curve](#)
[Product Image](#)
[Refrigerant Circuit](#)
[Spare Parts List All Pages](#)
[Specifications](#)
[Wiring Diagram](#)


Units: mm

\*Specifications and design are subject to change without notice for further improvement.  
 •Actual products' colors may be different from the colors shown in this printed material.

### AUXG54LRLB

Please visit our webstore for full product and technical documentation 

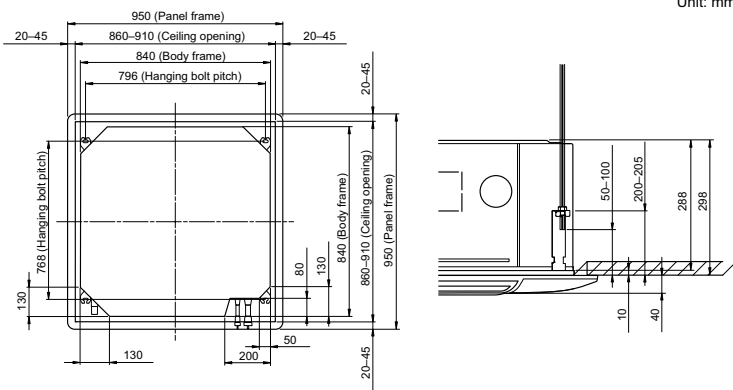
Unit Type	Circular Flow Cassette	
Remote Controller	RC Inc with Grille	
Nominal Cooling Capacity (kW)	13.3	
Nominal Heating Capacity (kW)	15.8	
Height (mm)	288	
Width (mm)	840	
Depth (mm)	840	
Weight (kg)	29	
Grille	UTGUKYAW	
Grille Dimensions (HxWxD) (mm)	53 x 950 x 950	
Grille Weight (kg)	6	
Airflow Rate - Cooling - High (m3/h)	2100	
Airflow Rate - Heating - High (m3/h)	2100	
Sound Pressure Level - Cooling - High (dB(A))	47	
Sound Pressure Level - Cooling - Low (dB(A))	36	
Sound Pressure Level - Heating - High (dB(A))	47	
Sound Pressure Level - Heating - Low (dB(A))	36	
Sound Power Level - Cooling - High (dB(A))	61	
Sound Power Level - Heating - High (dB(A))	61	
Moisture Removal (l/h)	5	
Refrigerant Type (Global Warming Potential)	R410A (2,088)	
Liquid Pipe Size	3/8"	
Gas Pipe Size	5/8"	
Unit Power Supply	From Outdoor Unit	



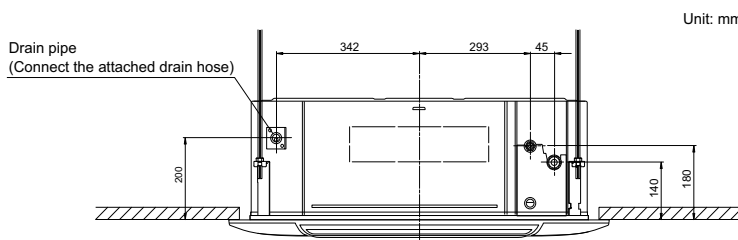
#### Document Downloads

- [Airflow - Fan Curve](#)
- [Controls & Accessories](#)
- [Dimensional Drawing](#)
- [Function Settings](#)
- [Inputs & Outputs](#)
- [Installation Manual](#)
- [Noise Curve](#)
- [Product Image](#)
- [Spare Parts List All Pages](#)

- [Specifications](#)
- [Wiring Diagram](#)



#### Refrigerant piping and drain piping positions

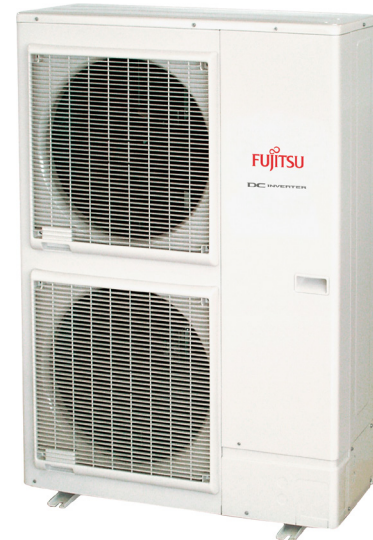


\*Specifications and design are subject to change without notice for further improvement.  
 •Actual products' colors may be different from the colors shown in this printed material.

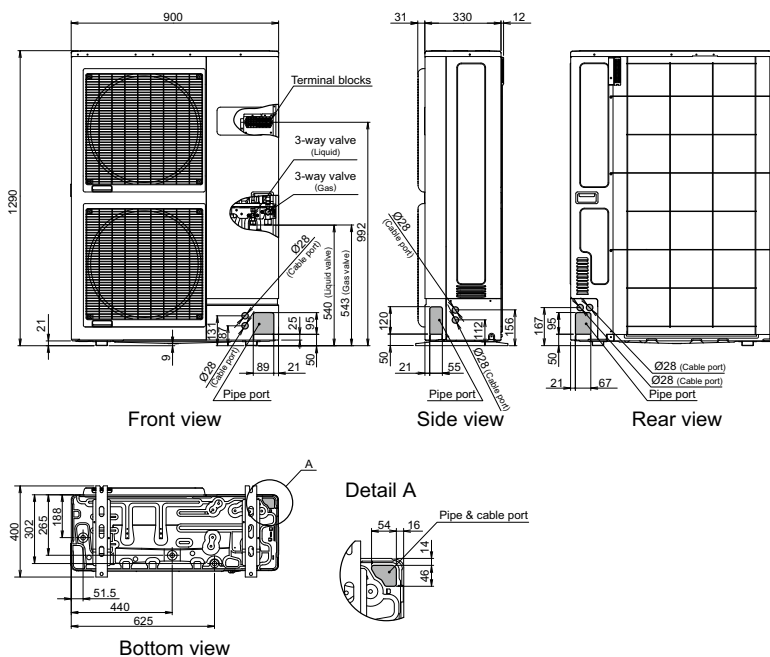
# AOYG54LBTA

Please visit our [webstore](#) for full product and technical documentation 

Nominal Cooling Capacity	(kW)	13.3
Nominal Heating Capacity	(kW)	15.8
Height	(mm)	1290
Width	(mm)	900
Depth	(mm)	330
Weight	(kg)	86
Airflow Rate - Cooling - High	(m <sup>3</sup> /h)	6750
Airflow Rate - Heating - High	(m <sup>3</sup> /h)	6850
Sound Pressure Level - Cooling - High	(dB(A))	55
Sound Pressure Level - Heating - High	(dB(A))	57
Sound Power Level - Cooling - High	(dB(A))	69
Sound Power Level - Heating - High	(dB(A))	71
Refrigerant Type (Global Warming Potential)		R410A (2,088)
Liquid Pipe Size		3/8"
Gas Pipe Size		5/8"
Min - Max Pipe Length	(m)	5 - 50
Max Height Difference	(m)	30
Refrigerant Charge (kg)	(kg)	3.35
Refrigerant CO <sub>2</sub> eq-T		6.995
Precharged For	(m)	20
Additional Charge (g/m)	(g/m)	40
Unit Power Supply		1Ph-230V-50Hz
Suggested Fuse Size	(A)	25
Cooling Mode Minimum Ambient	(°C)	-15
Cooling Mode Maximum Ambient	(°C)	46
Heating Mode Minimum Ambient	(°C)	-15
Heating Mode Maximum Ambient	(°C)	24



### Document Downloads

[Accessories](#)
[Airflow](#)
[Capacity Correction](#)
[Charging Details](#)
[Controls & Accessories](#)
[Dimensional Drawing](#)
[Electrical Characteristics](#)
[Function Settings](#)
[Inputs & Outputs](#)
[Installation Manual](#)
[Installation Space](#)
[Noise Curve](#)
[Product Image](#)
[Refrigerant Circuit](#)
[Spare Parts List All Pages](#)
[Specifications](#)
[Wiring Diagram](#)


Units: mm

\*Specifications and design are subject to change without notice for further improvement.  
 \*Actual products' colors may be different from the colors shown in this printed material.



# AUYG30LRLE

Please visit our webstore for full product and technical documentation 

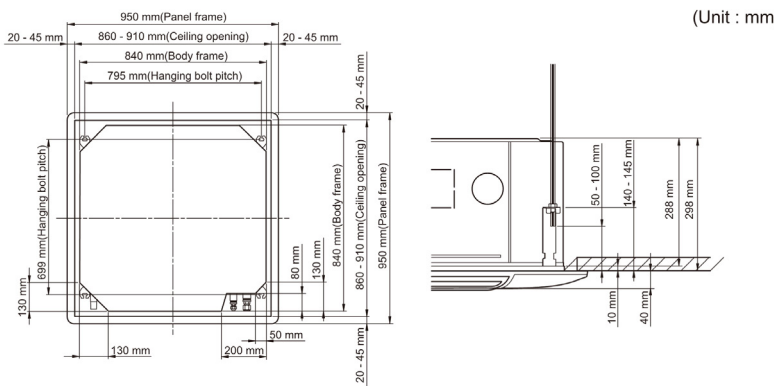
Unit Type	4 Way Cassette	
Remote Controller	Option	
Nominal Cooling Capacity (kW)	8.5	
Nominal Heating Capacity (kW)	10.0	
Height (mm)	288	
Width (mm)	840	
Depth (mm)	840	
Weight (kg)	26	
Grille	UTGUGYAW	
Grille Dimensions (HxWxD) (mm)	50 x 950 x 950	
Grille Weight (kg)	5.5	
Airflow Rate - Cooling - High (m <sup>3</sup> /h)	1600	
Airflow Rate - Heating - High (m <sup>3</sup> /h)	1600	
Sound Pressure Level - Cooling - High (dB(A))	40	
Sound Pressure Level - Cooling - Low (dB(A))	32	
Sound Pressure Level - Heating - High (dB(A))	40	
Sound Pressure Level - Heating - Low (dB(A))	32	
Sound Power Level - Cooling - High (dB(A))	54	
Sound Power Level - Heating - High (dB(A))	54	
Moisture Removal (l/h)	2.5	
Refrigerant Type (Global Warming Potential)	R410A (2,088)	
Liquid Pipe Size	3/8"	
Gas Pipe Size	5/8"	
Unit Power Supply	From Outdoor Unit	



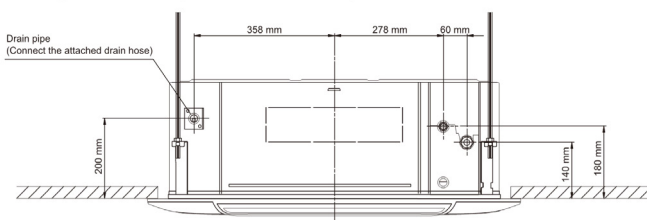
### Document Downloads

[Airflow - Fan Curve](#)  
[Controls & Accessories](#)  
[Dimensional Drawing](#)  
[Function Settings](#)  
[Inputs & Outputs](#)  
[Installation Manual](#)  
[Noise Curve](#)  
[Product Image](#)  
[Spare Parts List All Pages](#)

[Specifications](#)  
[Wiring Diagram](#)



### ● Refrigerant piping and drain piping positions



\*Specifications and design are subject to change without notice for further improvement.  
 •Actual products' colors may be different from the colors shown in this printed material.

### AOYG30LETL

Please visit our webstore for full product and technical documentation 

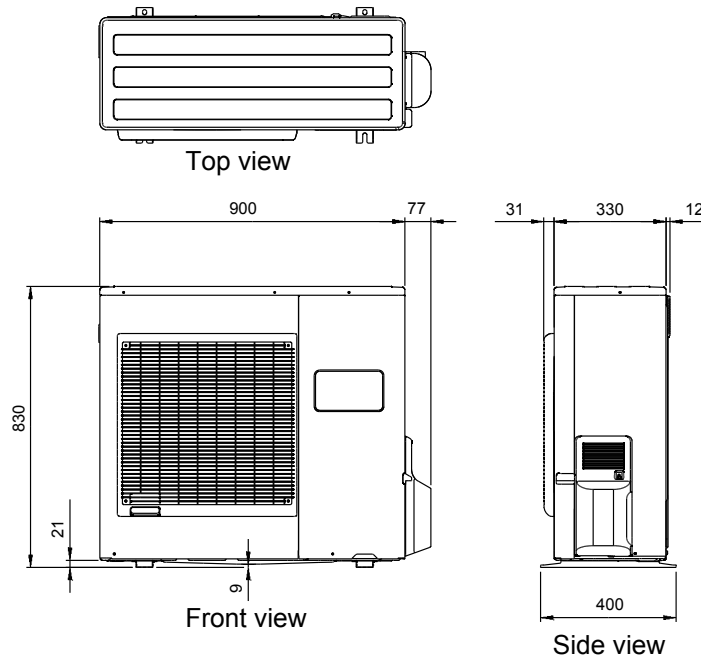
Nominal Cooling Capacity	(kW)	8.5
Nominal Heating Capacity	(kW)	10.0
Height	(mm)	830
Width	(mm)	900
Depth	(mm)	330
Weight	(kg)	61
Airflow Rate - Cooling - High	(m3/h)	3600
Airflow Rate - Heating - High	(m3/h)	3600
Sound Pressure Level - Cooling - High	(dB(A))	53
Sound Pressure Level - Heating - High	(dB(A))	55
Sound Power Level - Cooling - High	(dB(A))	68
Sound Power Level - Heating - High	(dB(A))	69
Refrigerant Type (Global Warming Potential)		R410A (2,088)
Liquid Pipe Size		3/8"
Gas Pipe Size		5/8"
Min - Max Pipe Length	(m)	5 - 50
Max Height Difference	(m)	30
Refrigerant Charge	(kg)	2.1
Refrigerant CO2eq-T		4.385
Precharged For	(m)	20
Additional Charge	(g/m)	40
Unit Power Supply		1Ph-230V-50Hz
Suggested Fuse Size	(A)	20
Cooling Mode Minimum Ambient	(°C)	-15
Cooling Mode Maximum Ambient	(°C)	46
Heating Mode Minimum Ambient	(°C)	-15
Heating Mode Maximum Ambient	(°C)	24



#### Document Downloads

- [Airflow](#)
- [Capacity Correction](#)
- [Dimensional Drawing](#)
- [Installation Manual](#)
- [Noise Curve](#)
- [Product Image](#)
- [Refrigerant Circuit](#)
- [Spare Parts List All Pages](#)
- [Specifications](#)

[Wiring Diagram](#)



Units: mm

\*Specifications and design are subject to change without notice for further improvement.

\*Actual products' colors may be different from the colors shown in this printed material.

### AUYG36LRLA

Please visit our webstore for full product and technical documentation 

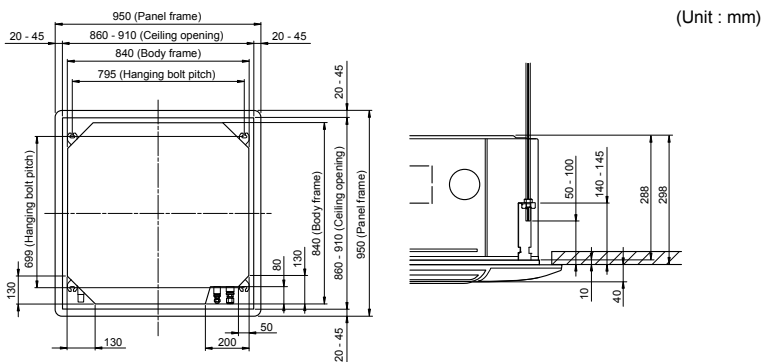
Unit Type	4 Way Cassette	
Remote Controller	Option	
Nominal Cooling Capacity (kW)		10.0
Nominal Heating Capacity (kW)		11.2
Height (mm)		288
Width (mm)		840
Depth (mm)		840
Weight (kg)		26
Grille	UTGUGYAW	
Grille Dimensions (HxWxD) (mm)		50 x 950 x 950
Grille Weight (kg)		5.5
Airflow Rate - Cooling - High (m3/h)		1800
Airflow Rate - Heating - High (m3/h)		1800
Sound Pressure Level - Cooling - High (dB(A))		44
Sound Pressure Level - Cooling - Low (dB(A))		33
Sound Pressure Level - Heating - High (dB(A))		44
Sound Pressure Level - Heating - Low (dB(A))		33
Sound Power Level - Cooling - High (dB(A))		58
Sound Power Level - Heating - High (dB(A))		58
Moisture Removal (l/h)		3
Refrigerant Type (Global Warming Potential)		R410A (2,088)
Liquid Pipe Size		3/8"
Gas Pipe Size		5/8"
Unit Power Supply	From Outdoor Unit	



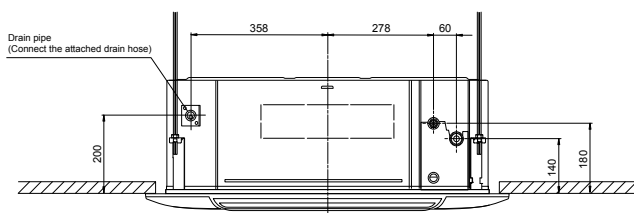
#### Document Downloads

- [Airflow - Fan Curve](#)
- [Controls & Accessories](#)
- [Dimensional Drawing](#)
- [Function Settings](#)
- [Inputs & Outputs](#)
- [Installation Manual](#)
- [Noise Curve](#)
- [Operation Manual](#)
- [Product Image](#)

- [Spare Parts List All Pages](#)
- [Specifications](#)
- [Wiring Diagram](#)



#### ● Refrigerant piping and drain piping positions



\*Specifications and design are subject to change without notice for further improvement.  
 •Actual products' colors may be different from the colors shown in this printed material.

# AUYG36LRLE

Please visit our webstore for full product and technical documentation 

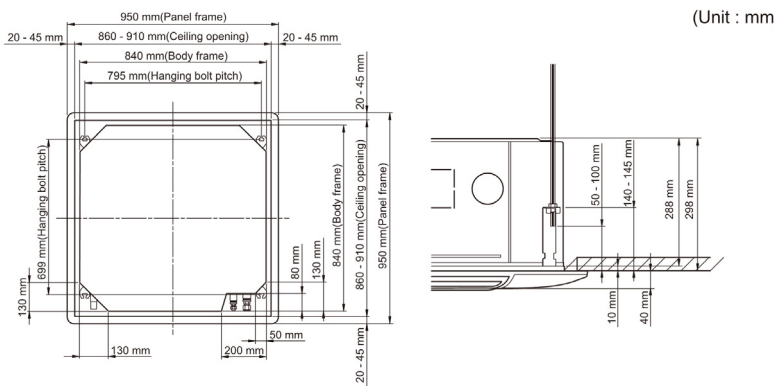
Unit Type	4 Way Cassette	
Remote Controller	Option	
Nominal Cooling Capacity (kW)		10.0
Nominal Heating Capacity (kW)		11.2
Height (mm)		288
Width (mm)		840
Depth (mm)		840
Weight (kg)		26
Grille	UTGUGYAW	
Grille Dimensions (HxWxD) (mm)		50 x 950 x 950
Grille Weight (kg)		5.5
Airflow Rate - Cooling - High (m <sup>3</sup> /h)		1800
Airflow Rate - Heating - High (m <sup>3</sup> /h)		1800
Sound Pressure Level - Cooling - High (dB(A))		43
Sound Pressure Level - Cooling - Low (dB(A))		32
Sound Pressure Level - Heating - High (dB(A))		43
Sound Pressure Level - Heating - Low (dB(A))		32
Sound Power Level - Cooling - High (dB(A))		57
Sound Power Level - Heating - High (dB(A))		57
Moisture Removal (l/h)		3.5
Refrigerant Type (Global Warming Potential)		R410A (2,088)
Liquid Pipe Size		3/8"
Gas Pipe Size		5/8"
Unit Power Supply	From Outdoor Unit	



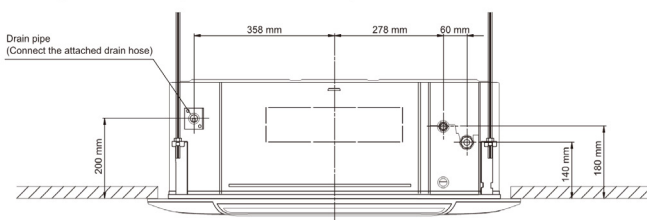
### Document Downloads

[Airflow - Fan Curve](#)  
[Controls & Accessories](#)  
[Dimensional Drawing](#)  
[Function Settings](#)  
[Inputs & Outputs](#)  
[Installation Manual](#)  
[Noise Curve](#)  
[Product Image](#)  
[Spare Parts List All Pages](#)

[Specifications](#)  
[Wiring Diagram](#)



### ● Refrigerant piping and drain piping positions



\*Specifications and design are subject to change without notice for further improvement.  
 •Actual products' colors may be different from the colors shown in this printed material.

### AOYG36LETL

Please visit our webstore for full product and technical documentation 

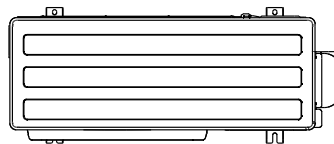
Nominal Cooling Capacity	(kW)	9.4
Nominal Heating Capacity	(kW)	11.2
Height	(mm)	830
Width	(mm)	900
Depth	(mm)	330
Weight	(kg)	61
Airflow Rate - Cooling - High	(m3/h)	3800
Airflow Rate - Heating - High	(m3/h)	3800
Sound Pressure Level - Cooling - High	(dB(A))	54
Sound Pressure Level - Heating - High	(dB(A))	55
Sound Power Level - Cooling - High	(dB(A))	69
Sound Power Level - Heating - High	(dB(A))	70
Refrigerant Type (Global Warming Potential)		R410A (2,088)
Liquid Pipe Size		3/8"
Gas Pipe Size		5/8"
Min - Max Pipe Length	(m)	5 - 50
Max Height Difference	(m)	30
Refrigerant Charge	(kg)	2.1
Refrigerant CO2eq-T		4.385
Precharged For	(m)	20
Additional Charge	(g/m)	40
Unit Power Supply		1Ph-230V-50Hz
Suggested Fuse Size	(A)	25
Cooling Mode Minimum Ambient	(°C)	-15
Cooling Mode Maximum Ambient	(°C)	46
Heating Mode Minimum Ambient	(°C)	-15
Heating Mode Maximum Ambient	(°C)	24



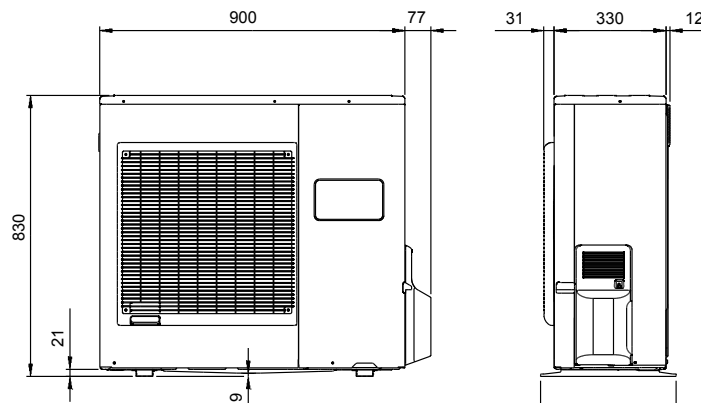
#### Document Downloads

- [Airflow](#)
- [Capacity Correction](#)
- [Dimensional Drawing](#)
- [Installation Manual](#)
- [Noise Curve](#)
- [Product Image](#)
- [Refrigerant Circuit](#)
- [Spare Parts List All Pages](#)
- [Specifications](#)

[Wiring Diagram](#)



Top view



Front view

Side view

Units: mm

\*Specifications and design are subject to change without notice for further improvement.

\*Actual products' colors may be different from the colors shown in this printed material.

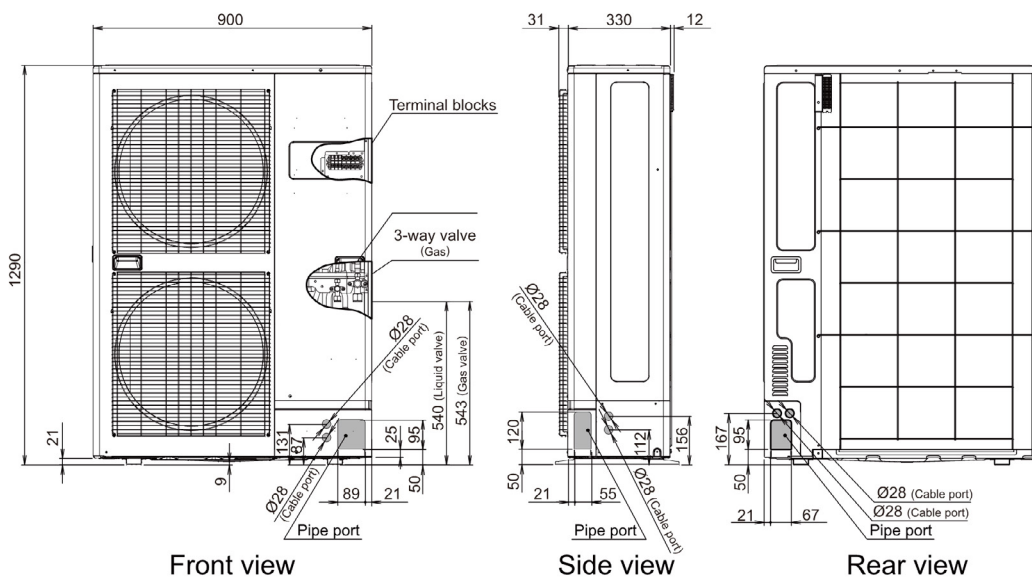
# AOYG36LATT

Please visit our webstore for full product and technical documentation 

Nominal Cooling Capacity	(kW)	10.0
Nominal Heating Capacity	(kW)	11.2
Height	(mm)	1290
Width	(mm)	900
Depth	(mm)	330
Weight	(kg)	104
Airflow Rate - Cooling - High	(m <sup>3</sup> /h)	6200
Airflow Rate - Heating - High	(m <sup>3</sup> /h)	6200
Sound Pressure Level - Cooling - High	(dB(A))	51
Sound Pressure Level - Heating - High	(dB(A))	53
Sound Power Level - Cooling - High	(dB(A))	67
Sound Power Level - Heating - High	(dB(A))	69
Refrigerant Type (Global Warming Potential)		R410A (2,088)
Liquid Pipe Size		3/8"
Gas Pipe Size		5/8"
Min - Max Pipe Length	(m)	5 - 75
Max Height Difference	(m)	30
Refrigerant Charge (kg)	(kg)	3.45
Refrigerant CO <sub>2</sub> eq-T		7.204
Precharged For	(m)	30
Additional Charge (g/m)	(g/m)	50
Unit Power Supply		3Ph-400V-50Hz
Suggested Fuse Size	(A)	16
Cooling Mode Minimum Ambient	(°C)	-15
Cooling Mode Maximum Ambient	(°C)	46
Heating Mode Minimum Ambient	(°C)	-15
Heating Mode Maximum Ambient	(°C)	24



### Document Downloads

[Airflow](#)
[Capacity Correction](#)
[Dimensional Drawing](#)
[Inputs & Outputs](#)
[Installation Manual](#)
[Noise Curve](#)
[Product Image](#)
[Refrigerant Circuit](#)
[Spare Parts List All Pages](#)
[Specifications](#)
[Wiring Diagram](#)


Units: mm

\*Specifications and design are subject to change without notice for further improvement.

\*Actual products' colors may be different from the colors shown in this printed material.

## AUYG45LRLA

Please visit our webstore for full product and technical documentation 

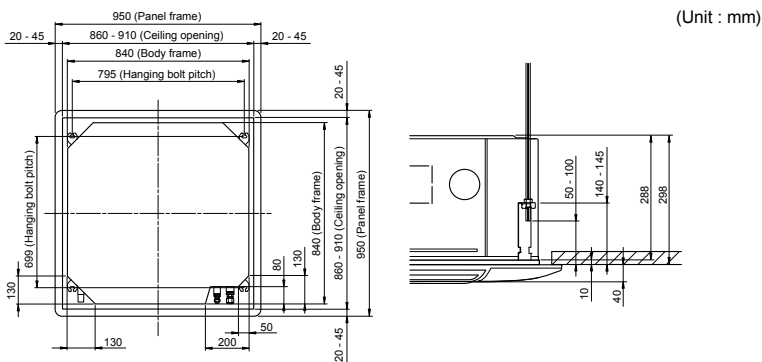
Unit Type	4 Way Cassette	
Remote Controller	Option	
Nominal Cooling Capacity (kW)		12.1
Nominal Heating Capacity (kW)		13.5
Height (mm)		288
Width (mm)		840
Depth (mm)		840
Weight (kg)		26
Grille	UTGUGYAW	
Grille Dimensions (HxWxD) (mm)		50 x 950 x 950
Grille Weight (kg)		5.5
Airflow Rate - Cooling - High (m <sup>3</sup> /h)		1900
Airflow Rate - Heating - High (m <sup>3</sup> /h)		1900
Sound Pressure Level - Cooling - High (dB(A))		46
Sound Pressure Level - Cooling - Low (dB(A))		36
Sound Pressure Level - Heating - High (dB(A))		46
Sound Pressure Level - Heating - Low (dB(A))		36
Sound Power Level - Cooling - High (dB(A))		
Sound Power Level - Heating - High (dB(A))		
Moisture Removal (l/h)		4.5
Refrigerant Type (Global Warming Potential)		R410A (2,088)
Liquid Pipe Size		3/8"
Gas Pipe Size		5/8"
Unit Power Supply	From Outdoor Unit	



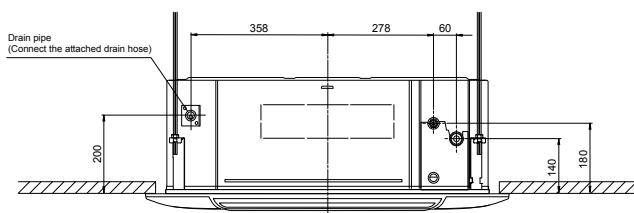
### Document Downloads

[Airflow - Fan Curve](#)  
[Controls & Accessories](#)  
[Dimensional Drawing](#)  
[Function Settings](#)  
[Inputs & Outputs](#)  
[Installation Manual](#)  
[Noise Curve](#)  
[Operation Manual](#)  
[Product Image](#)

[Spare Parts List All Pages](#)  
[Specifications](#)  
[Wiring Diagram](#)



### ● Refrigerant piping and drain piping positions



\*Specifications and design are subject to change without notice for further improvement.  
 \*Actual products' colors may be different from the colors shown in this printed material.

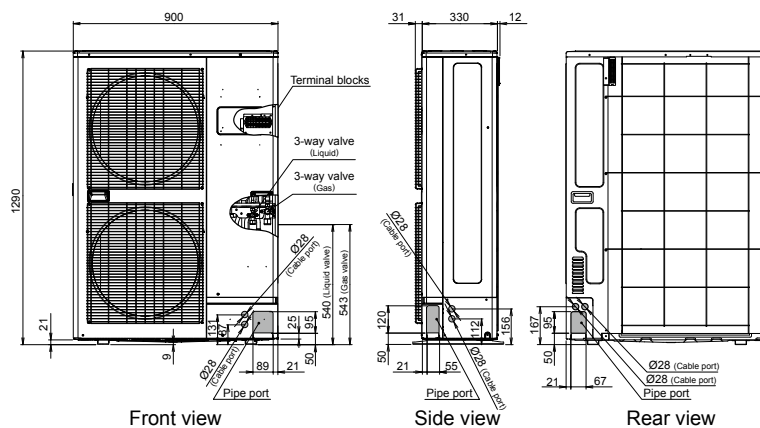
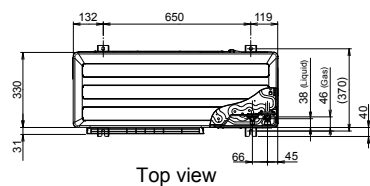
### AOYG45LETL

Please visit our [webstore](#) for full product and technical documentation 

Nominal Cooling Capacity	(kW)	12.1
Nominal Heating Capacity	(kW)	13.1
Height	(mm)	1290
Width	(mm)	900
Depth	(mm)	330
Weight	(kg)	86
Airflow Rate - Cooling - High	(m <sup>3</sup> /h)	6750
Airflow Rate - Heating - High	(m <sup>3</sup> /h)	6200
Sound Pressure Level - Cooling - High	(dB(A))	55
Sound Pressure Level - Heating - High	(dB(A))	55
Sound Power Level - Cooling - High	(dB(A))	
Sound Power Level - Heating - High	(dB(A))	
Refrigerant Type (Global Warming Potential)		R410A (2,088)
Liquid Pipe Size		3/8"
Gas Pipe Size		5/8"
Min - Max Pipe Length	(m)	5 - 50
Max Height Difference	(m)	30
Refrigerant Charge (kg)	(kg)	3.35
Refrigerant CO <sub>2</sub> eq-T		6.995
Precharged For	(m)	20
Additional Charge (g/m)	(g/m)	40
Unit Power Supply		1Ph-230V-50Hz
Suggested Fuse Size	(A)	25
Cooling Mode Minimum Ambient	(°C)	-15
Cooling Mode Maximum Ambient	(°C)	46
Heating Mode Minimum Ambient	(°C)	-15
Heating Mode Maximum Ambient	(°C)	24



#### Document Downloads

[Accessories](#)
[Airflow](#)
[Capacity Correction](#)
[Dimensional Drawing](#)
[Function Settings](#)
[Inputs & Outputs](#)
[Installation Manual](#)
[Noise Curve](#)
[Product Image](#)
[Refrigerant Circuit](#)
[Spare Parts List All Pages](#)
[Specifications](#)
[Wiring Diagram](#)


Units: mm

\*Specifications and design are subject to change without notice for further improvement.

\*Actual products' colors may be different from the colors shown in this printed material.



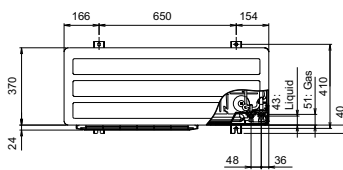
### AOYG45LBTC

Please visit our [webstore](#) for full product and technical documentation 

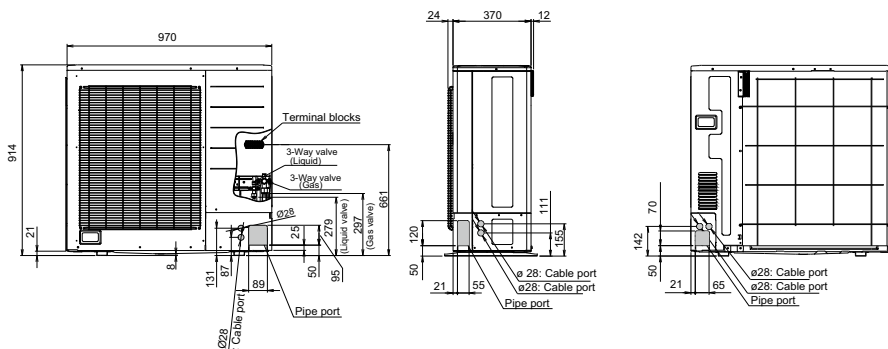
Nominal Cooling Capacity	(kW)	12.1
Nominal Heating Capacity	(kW)	13.3
Height	(mm)	914
Width	(mm)	970
Depth	(mm)	370
Weight	(kg)	75
Airflow Rate - Cooling - High	(m <sup>3</sup> /h)	4650
Airflow Rate - Heating - High	(m <sup>3</sup> /h)	4650
Sound Pressure Level - Cooling - High	(dB(A))	58
Sound Pressure Level - Heating - High	(dB(A))	58
Refrigerant Type (Global Warming Potential)		R410A (2,088)
Liquid Pipe Size		3/8"
Gas Pipe Size		5/8"
Min - Max Pipe Length	(m)	5 - 50
Max Height Difference	(m)	30
Refrigerant Charge (kg)	(kg)	2.9
Refrigerant CO <sub>2</sub> eq-T		6.055
Precharged For	(m)	20
Additional Charge (g/m)	(g/m)	40
Unit Power Supply		1Ph-230V-50Hz
Suggested Fuse Size	(A)	25
Cooling Mode Minimum Ambient	(°C)	-15
Cooling Mode Maximum Ambient	(°C)	46
Heating Mode Minimum Ambient	(°C)	-15
Heating Mode Maximum Ambient	(°C)	24



#### Document Downloads

[Accessories](#)
[Airflow](#)
[Capacity Correction](#)
[Dimensional Drawing](#)
[Function Settings](#)
[Inputs & Outputs](#)
[Installation Manual](#)
[Noise Curve](#)
[Product Image](#)
[Refrigerant Circuit](#)
[Spare Parts List All Pages](#)
[Specifications](#)
[Wiring Diagram](#)


Top view



Front view

Side view

Rear view

Units: mm

\*Specifications and design are subject to change without notice for further improvement.

\*Actual products' colors may be different from the colors shown in this printed material.

### AOYG45LATT

Please visit our webstore for full product and technical documentation 

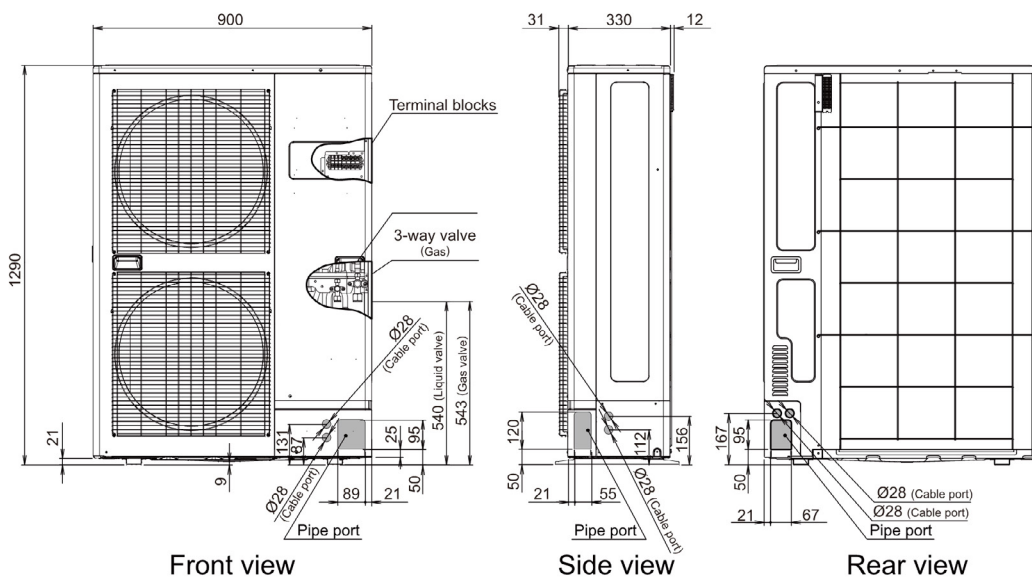
Nominal Cooling Capacity	(kW)	12.5
Nominal Heating Capacity	(kW)	14.0
Height	(mm)	1290
Width	(mm)	900
Depth	(mm)	330
Weight	(kg)	104
Airflow Rate - Cooling - High	(m <sup>3</sup> /h)	6750
Airflow Rate - Heating - High	(m <sup>3</sup> /h)	6200
Sound Pressure Level - Cooling - High	(dB(A))	54
Sound Pressure Level - Heating - High	(dB(A))	54
Refrigerant Type (Global Warming Potential)		R410A (2,088)
Liquid Pipe Size		3/8"
Gas Pipe Size		5/8"
Min - Max Pipe Length	(m)	5 - 75
Max Height Difference	(m)	30
Refrigerant Charge (kg)	(kg)	3.45
Refrigerant CO <sub>2</sub> eq-T		7.204
Precharged For	(m)	30
Additional Charge (g/m)	(g/m)	50
Unit Power Supply		3Ph-400V-50Hz
Suggested Fuse Size	(A)	16
Cooling Mode Minimum Ambient	(°C)	-15
Cooling Mode Maximum Ambient	(°C)	46
Heating Mode Minimum Ambient	(°C)	-15
Heating Mode Maximum Ambient	(°C)	24



#### Document Downloads

- [Airflow](#)
- [Capacity Correction](#)
- [Dimensional Drawing](#)
- [Inputs & Outputs](#)
- [Installation Manual](#)
- [Noise Curve](#)
- [Product Image](#)
- [Refrigerant Circuit](#)
- [Spare Parts List All Pages](#)

- [Specifications](#)
- [Wiring Diagram](#)



Units: mm

\*Specifications and design are subject to change without notice for further improvement.  
 •Actual products' colors may be different from the colors shown in this printed material.

## AUYG54LRLA

Please visit our webstore for full product and technical documentation 

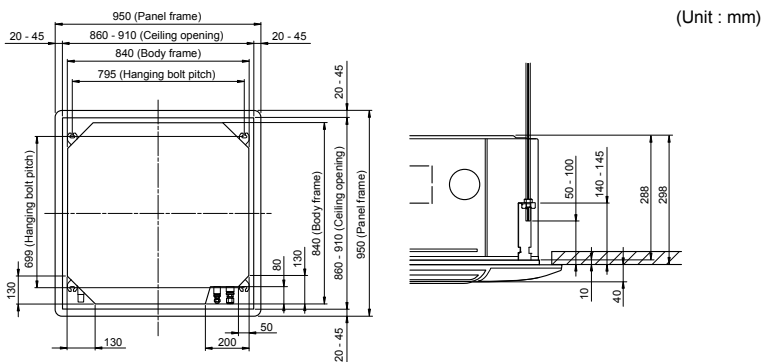
Unit Type	4 Way Cassette	
Remote Controller	Option	
Nominal Cooling Capacity (kW)		13.3
Nominal Heating Capacity (kW)		16.0
Height (mm)		288
Width (mm)		840
Depth (mm)		840
Weight (kg)		26
Grille	UTGUGYAW	
Grille Dimensions (HxWxD) (mm)		50 x 950 x 950
Grille Weight (kg)		5.5
Airflow Rate - Cooling - High (m3/h)		2000
Airflow Rate - Heating - High (m3/h)		2000
Sound Pressure Level - Cooling - High (dB(A))		47
Sound Pressure Level - Cooling - Low (dB(A))		37
Sound Pressure Level - Heating - High (dB(A))		47
Sound Pressure Level - Heating - Low (dB(A))		37
Sound Power Level - Cooling - High (dB(A))		
Sound Power Level - Heating - High (dB(A))		
Moisture Removal (l/h)		5
Refrigerant Type (Global Warming Potential)		R410A (2,088)
Liquid Pipe Size		3/8"
Gas Pipe Size		5/8"
Unit Power Supply	From Outdoor Unit	



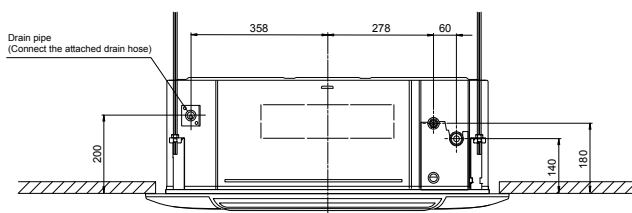
### Document Downloads

[Airflow - Fan Curve](#)  
[Controls & Accessories](#)  
[Dimensional Drawing](#)  
[Function Settings](#)  
[Inputs & Outputs](#)  
[Installation Manual](#)  
[Noise Curve](#)  
[Operation Manual](#)  
[Product Image](#)

[Spare Parts List All Pages](#)  
[Specifications](#)  
[Wiring Diagram](#)



### ● Refrigerant piping and drain piping positions



\*Specifications and design are subject to change without notice for further improvement.  
 \*Actual products' colors may be different from the colors shown in this printed material.

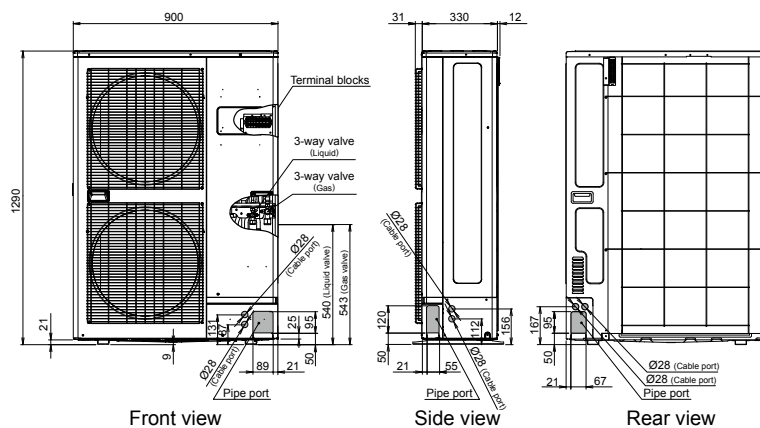
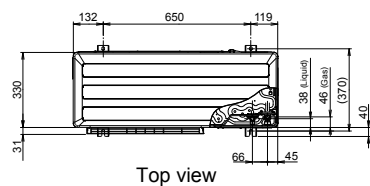
### AOYG54LETL

Please visit our [webstore](#) for full product and technical documentation 

Nominal Cooling Capacity	(kW)	13.4
Nominal Heating Capacity	(kW)	16.0
Height	(mm)	1290
Width	(mm)	900
Depth	(mm)	330
Weight	(kg)	86
Airflow Rate - Cooling - High	(m <sup>3</sup> /h)	6750
Airflow Rate - Heating - High	(m <sup>3</sup> /h)	6850
Sound Pressure Level - Cooling - High	(dB(A))	55
Sound Pressure Level - Heating - High	(dB(A))	57
Sound Power Level - Cooling - High	(dB(A))	
Sound Power Level - Heating - High	(dB(A))	
Refrigerant Type (Global Warming Potential)		R410A (2,088)
Liquid Pipe Size		3/8"
Gas Pipe Size		5/8"
Min - Max Pipe Length	(m)	5 - 50
Max Height Difference	(m)	30
Refrigerant Charge (kg)	(kg)	3.35
Refrigerant CO <sub>2</sub> eq-T		6.995
Precharged For	(m)	20
Additional Charge (g/m)	(g/m)	40
Unit Power Supply		1Ph-230V-50Hz
Suggested Fuse Size	(A)	25
Cooling Mode Minimum Ambient	(°C)	-15
Cooling Mode Maximum Ambient	(°C)	46
Heating Mode Minimum Ambient	(°C)	-15
Heating Mode Maximum Ambient	(°C)	24



#### Document Downloads

[Accessories](#)
[Airflow](#)
[Capacity Correction](#)
[Dimensional Drawing](#)
[Function Settings](#)
[Inputs & Outputs](#)
[Installation Manual](#)
[Noise Curve](#)
[Product Image](#)
[Refrigerant Circuit](#)
[Spare Parts List All Pages](#)
[Specifications](#)
[Wiring Diagram](#)


Units: mm

\*Specifications and design are subject to change without notice for further improvement.

\*Actual products' colors may be different from the colors shown in this printed material.

### AOYG54LATT

Please visit our webstore for full product and technical documentation 

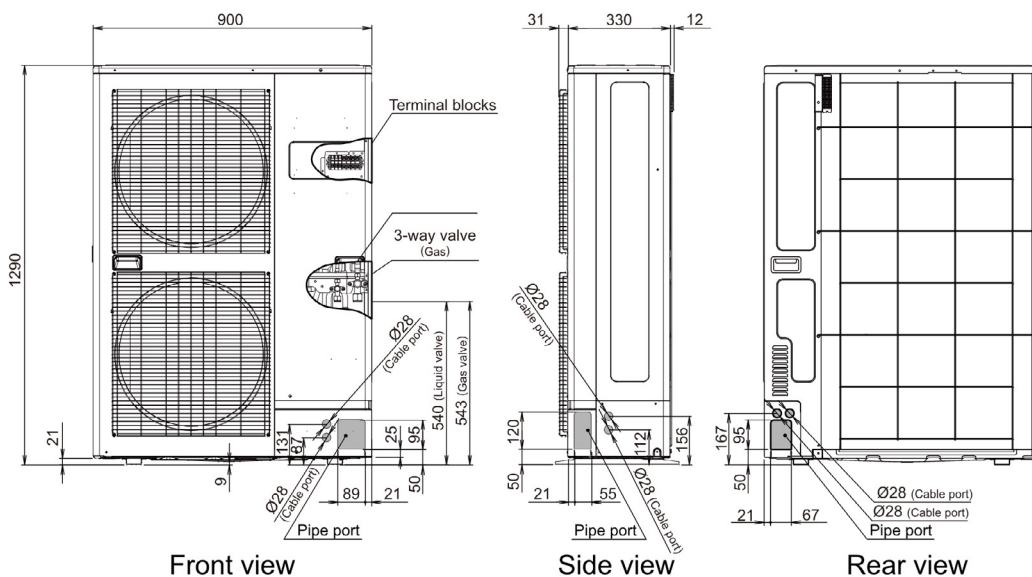
Nominal Cooling Capacity	(kW)	14.0
Nominal Heating Capacity	(kW)	16.0
Height	(mm)	1290
Width	(mm)	900
Depth	(mm)	330
Weight	(kg)	104
Airflow Rate - Cooling - High	(m <sup>3</sup> /h)	6900
Airflow Rate - Heating - High	(m <sup>3</sup> /h)	6900
Sound Pressure Level - Cooling - High	(dB(A))	55
Sound Pressure Level - Heating - High	(dB(A))	56
Refrigerant Type (Global Warming Potential)		R410A (2,088)
Liquid Pipe Size		3/8"
Gas Pipe Size		5/8"
Min - Max Pipe Length	(m)	5 - 75
Max Height Difference	(m)	30
Refrigerant Charge (kg)	(kg)	3.45
Refrigerant CO <sub>2</sub> eq-T		7.204
Precharged For	(m)	30
Additional Charge (g/m)	(g/m)	50
Unit Power Supply		3Ph-400V-50Hz
Suggested Fuse Size	(A)	16
Cooling Mode Minimum Ambient	(°C)	-15
Cooling Mode Maximum Ambient	(°C)	46
Heating Mode Minimum Ambient	(°C)	-15
Heating Mode Maximum Ambient	(°C)	24



#### Document Downloads

- [Airflow](#)
- [Capacity Correction](#)
- [Dimensional Drawing](#)
- [Inputs & Outputs](#)
- [Installation Manual](#)
- [Noise Curve](#)
- [Product Image](#)
- [Refrigerant Circuit](#)
- [Spare Parts List All Pages](#)

- [Specifications](#)
- [Wiring Diagram](#)



Units: mm

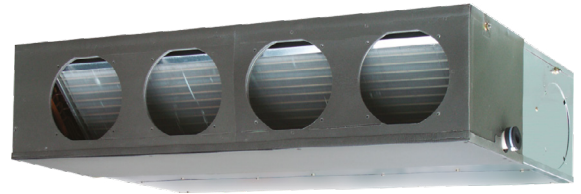
\*Specifications and design are subject to change without notice for further improvement.

\*Actual products' colors may be different from the colors shown in this printed material.

### ARYG24LMLA

Please visit our webstore for full product and technical documentation 

Unit Type	Medium Static Ducted	
Remote Controller	Included	
Nominal Cooling Capacity (kW)	6.8	
Nominal Heating Capacity (kW)	8.0	
Height (mm)	270	
Width (mm)	1135	
Depth (mm)	700	
Weight (kg)	38	
Filter	UTDLF25NA / UTRDF204	
Standard Static Pressure (Pa)	35	
Static Pressure Ranget (Pa)	30 to 150	
Airflow Rate - Cooling - High (m3/h)	1100	
Airflow Rate - Heating - High (m3/h)	1100	
Sound Pressure Level - Cooling - High (dB(A))	31	
Sound Pressure Level - Cooling - Low (dB(A))	25	
Sound Pressure Level - Heating - High (dB(A))	31	
Sound Pressure Level - Heating - Low (dB(A))	25	
Sound Power Level - Cooling - High (dB(A))	60	
Sound Power Level - Heating - High (dB(A))	62	
Moisture Removal (l/h)	2.5	
Refrigerant Type (Global Warming Potential)	R410A (2,088)	
Liquid Pipe Size	1/4"	
Gas Pipe Size	5/8"	
Unit Power Supply	From Outdoor Unit	

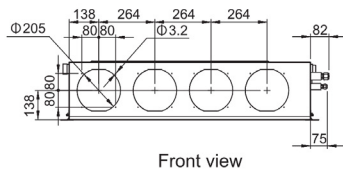


#### Document Downloads

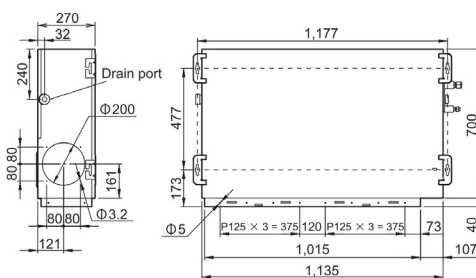
- [Airflow - Fan Curve](#)
- [Controls & Accessories](#)
- [Dimensional Drawing](#)
- [Function Settings](#)
- [Inputs & Outputs](#)
- [Installation Manual](#)
- [Noise Curve](#)
- [Operation Manual](#)
- [Product Image](#)

- [Spare Parts List All Pages](#)
- [Specifications](#)
- [Wiring Diagram](#)

Unit: mm

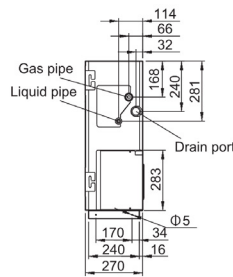


Front view

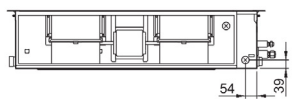


Side view (L)

Top view



Side view (R)



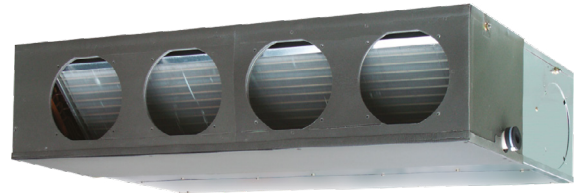
Rear view

\*Specifications and design are subject to change without notice for further improvement.  
 •Actual products' colors may be different from the colors shown in this printed material.

### ARYG30LMLE

Please visit our [webstore](#) for full product and technical documentation 

Unit Type	Medium Static Ducted	
Remote Controller	Included	
Nominal Cooling Capacity (kW)	8.5	
Nominal Heating Capacity (kW)	10.0	
Height (mm)	270	
Width (mm)	1135	
Depth (mm)	700	
Weight (kg)	40	
Filter	UTDLF25NA / UTRDF204	
Standard Static Pressure (Pa)	47	
Static Pressure Ranget (Pa)	30 to 150	
Airflow Rate - Cooling - High (m3/h)	1900	
Airflow Rate - Heating - High (m3/h)	2100	
Sound Pressure Level - Cooling - High (dB(A))	39	
Sound Pressure Level - Cooling - Low (dB(A))	26	
Sound Pressure Level - Heating - High (dB(A))	42	
Sound Pressure Level - Heating - Low (dB(A))	26	
Sound Power Level - Cooling - High (dB(A))	65	
Sound Power Level - Heating - High (dB(A))	69	
Moisture Removal (l/h)	2.5	
Refrigerant Type (Global Warming Potential)	R410A (2,088)	
Liquid Pipe Size	3/8"	
Gas Pipe Size	5/8"	
Unit Power Supply	From Outdoor Unit	

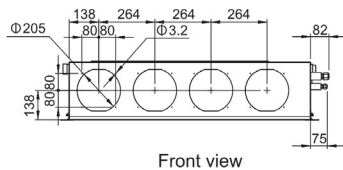


#### Document Downloads

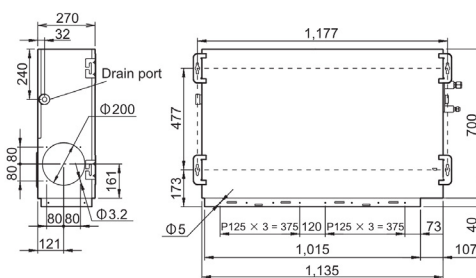
- [Airflow - Fan Curve](#)
- [Controls & Accessories](#)
- [Dimensional Drawing](#)
- [Function Settings](#)
- [Inputs & Outputs](#)
- [Installation Manual](#)
- [Noise Curve](#)
- [Product Image](#)
- [Spare Parts List All Pages](#)

- [Specifications](#)
- [Wiring Diagram](#)

Unit: mm

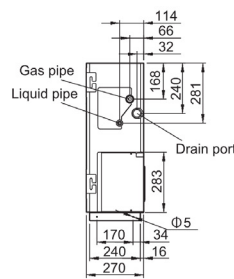


Front view

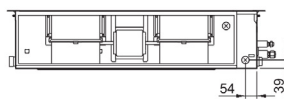


Side view (L)

Top view



Side view (R)



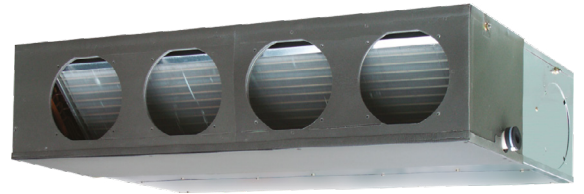
Rear view

\*Specifications and design are subject to change without notice for further improvement.  
 •Actual products' colors may be different from the colors shown in this printed material.

### ARYG36LMLA

Please visit our webstore for full product and technical documentation 

Unit Type	Medium Static Ducted	
Remote Controller	Included	
Nominal Cooling Capacity (kW)	10.0	
Nominal Heating Capacity (kW)	11.2	
Height (mm)	270	
Width (mm)	1135	
Depth (mm)	700	
Weight (kg)	40	
Filter	UTDLF25NA / UTRDF204	
Standard Static Pressure (Pa)	47	
Static Pressure Ranget (Pa)	30 to 150	
Airflow Rate - Cooling - High (m3/h)	1800	
Airflow Rate - Heating - High (m3/h)	1850	
Sound Pressure Level - Cooling - High (dB(A))	38	
Sound Pressure Level - Cooling - Low (dB(A))	26	
Sound Pressure Level - Heating - High (dB(A))	40	
Sound Pressure Level - Heating - Low (dB(A))	26	
Sound Power Level - Cooling - High (dB(A))	65	
Sound Power Level - Heating - High (dB(A))	67	
Moisture Removal (l/h)	3	
Refrigerant Type (Global Warming Potential)	R410A (2,088)	
Liquid Pipe Size	3/8"	
Gas Pipe Size	5/8"	
Unit Power Supply	From Outdoor Unit	

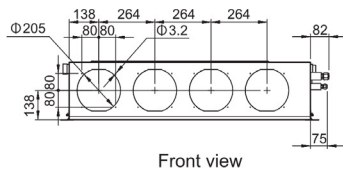


#### Document Downloads

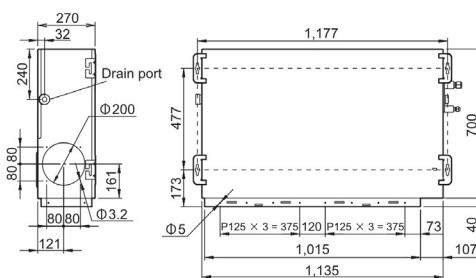
- [Airflow - Fan Curve](#)
- [Controls & Accessories](#)
- [Dimensional Drawing](#)
- [Function Settings](#)
- [Inputs & Outputs](#)
- [Installation Manual](#)
- [Noise Curve](#)
- [Operation Manual](#)
- [Product Image](#)

- [Spare Parts List All Pages](#)
- [Specifications](#)
- [Wiring Diagram](#)

Unit: mm

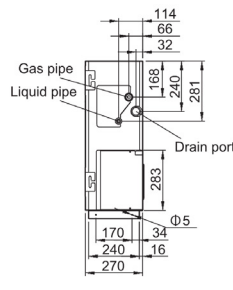


Front view

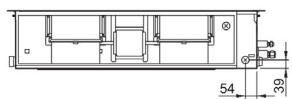


Side view (L)

Top view



Side view (R)



Rear view

\*Specifications and design are subject to change without notice for further improvement.

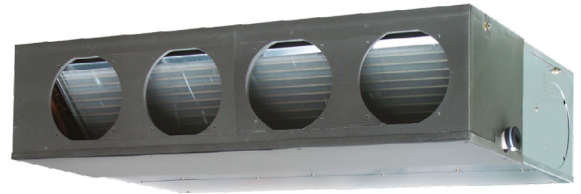
\*Actual products' colors may be different from the colors shown in this printed material.



### ARYG36LMLE

Please visit our webstore for full product and technical documentation 

Unit Type	Medium Static Ducted	
Remote Controller	Included	
Nominal Cooling Capacity (kW)	9.4	
Nominal Heating Capacity (kW)	11.2	
Height (mm)	270	
Width (mm)	1135	
Depth (mm)	700	
Weight (kg)	40	
Filter	UTDLF25NA / UTRDF204	
Standard Static Pressure (Pa)	47	
Static Pressure Ranget (Pa)	30 to 150	
Airflow Rate - Cooling - High (m3/h)	1900	
Airflow Rate - Heating - High (m3/h)	2100	
Sound Pressure Level - Cooling - High (dB(A))	39	
Sound Pressure Level - Cooling - Low (dB(A))	26	
Sound Pressure Level - Heating - High (dB(A))	42	
Sound Pressure Level - Heating - Low (dB(A))	26	
Sound Power Level - Cooling - High (dB(A))	65	
Sound Power Level - Heating - High (dB(A))	69	
Moisture Removal (l/h)	3	
Refrigerant Type (Global Warming Potential)	R410A (2,088)	
Liquid Pipe Size	3/8"	
Gas Pipe Size	5/8"	
Unit Power Supply	From Outdoor Unit	

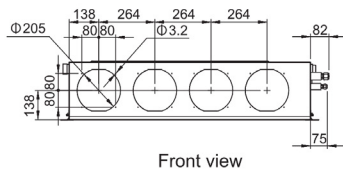


#### Document Downloads

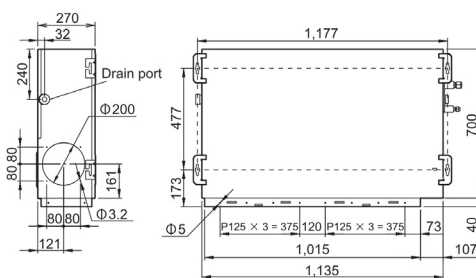
- [Airflow - Fan Curve](#)
- [Controls & Accessories](#)
- [Dimensional Drawing](#)
- [Function Settings](#)
- [Inputs & Outputs](#)
- [Installation Manual](#)
- [Noise Curve](#)
- [Product Image](#)
- [Spare Parts List All Pages](#)

- [Specifications](#)
- [Wiring Diagram](#)

Unit: mm

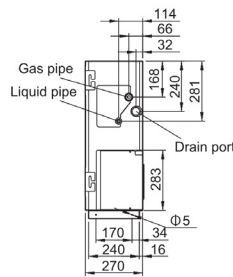


Front view

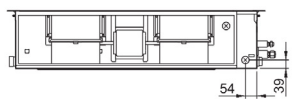


Side view (L)

Top view



Side view (R)



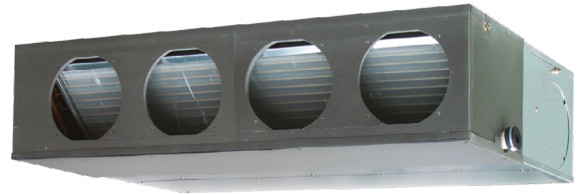
Rear view

\*Specifications and design are subject to change without notice for further improvement.  
 •Actual products' colors may be different from the colors shown in this printed material.

### ARYG45LMLA

Please visit our webstore for full product and technical documentation 

Unit Type	Medium Static Ducted	
Remote Controller	Included	
Nominal Cooling Capacity (kW)	12.1	
Nominal Heating Capacity (kW)	13.1	
Height (mm)	270	
Width (mm)	1135	
Depth (mm)	700	
Weight (kg)	40	
Filter	UTDLF25NA / UTRDF204	
Standard Static Pressure (Pa)	60	
Static Pressure Ranget (Pa)	30 to 150	
Airflow Rate - Cooling - High (m3/h)	2100	
Airflow Rate - Heating - High (m3/h)	2100	
Sound Pressure Level - Cooling - High (dB(A))	42	
Sound Pressure Level - Cooling - Low (dB(A))	28	
Sound Pressure Level - Heating - High (dB(A))	42	
Sound Pressure Level - Heating - Low (dB(A))	28	
Moisture Removal (l/h)	4	
Refrigerant Type (Global Warming Potential)	R410A (2,088)	
Liquid Pipe Size	3/8"	
Gas Pipe Size	5/8"	
Unit Power Supply	From Outdoor Unit	

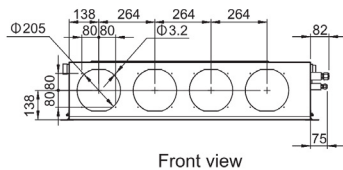


#### Document Downloads

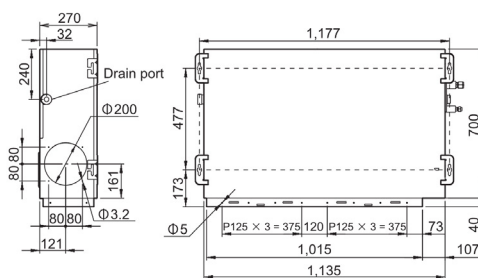
- [Airflow - Fan Curve](#)
- [Controls & Accessories](#)
- [Dimensional Drawing](#)
- [Function Settings](#)
- [Inputs & Outputs](#)
- [Installation Manual](#)
- [Noise Curve](#)
- [Operation Manual](#)
- [Product Image](#)

- [Spare Parts List All Pages](#)
- [Specifications](#)
- [Wiring Diagram](#)

Unit: mm

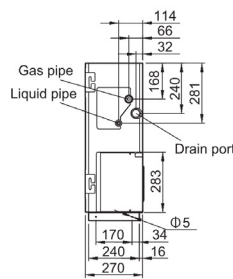


Front view

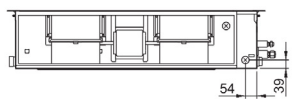


Side view (L)

Top view



Side view (R)



Rear view

\*Specifications and design are subject to change without notice for further improvement.  
 •Actual products' colors may be different from the colors shown in this printed material.

### ARYG12LHTBP

Please visit our webstore for full product and technical documentation 

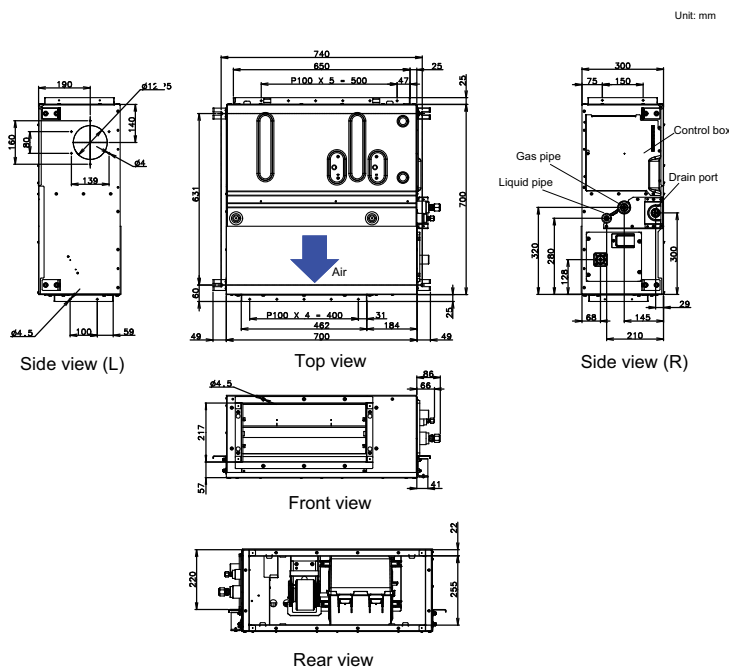
Unit Type	Medium Static Ducted	
Remote Controller	Included	
Nominal Cooling Capacity (kW)	3.5	
Nominal Heating Capacity (kW)	4.1	
Height (mm)	300	
Width (mm)	700	
Depth (mm)	700	
Weight (kg)	27	
Filter	UTDLFNC	
Standard Static Pressure (Pa)	35	
Static Pressure Ranget (Pa)	30 to 200	
Airflow Rate - Cooling - High (m3/h)	850	
Airflow Rate - Heating - High (m3/h)	850	
Sound Pressure Level - Cooling - High (dB(A))	32	
Sound Pressure Level - Cooling - Low (dB(A))	24	
Sound Pressure Level - Heating - High (dB(A))	31	
Sound Pressure Level - Heating - Low (dB(A))	24	
Sound Power Level - Cooling - High (dB(A))	57	
Sound Power Level - Heating - High (dB(A))	58	
Moisture Removal (l/h)	0.7	
Refrigerant Type (Global Warming Potential)	R410A (2,088)	
Liquid Pipe Size	1/4"	
Gas Pipe Size	3/8"	
Unit Power Supply	From Outdoor Unit	



#### Document Downloads

- [Airflow - Fan Curve](#)
- [Controls & Accessories](#)
- [Dimensional Drawing](#)
- [Function Settings](#)
- [Inputs & Outputs](#)
- [Installation Manual](#)
- [Noise Curve](#)
- [Operation Manual](#)
- [Product Image](#)

- [Spare Parts List All Pages](#)
- [Specifications](#)
- [Wiring Diagram](#)



\*Specifications and design are subject to change without notice for further improvement.  
 \*Actual products' colors may be different from the colors shown in this printed material.

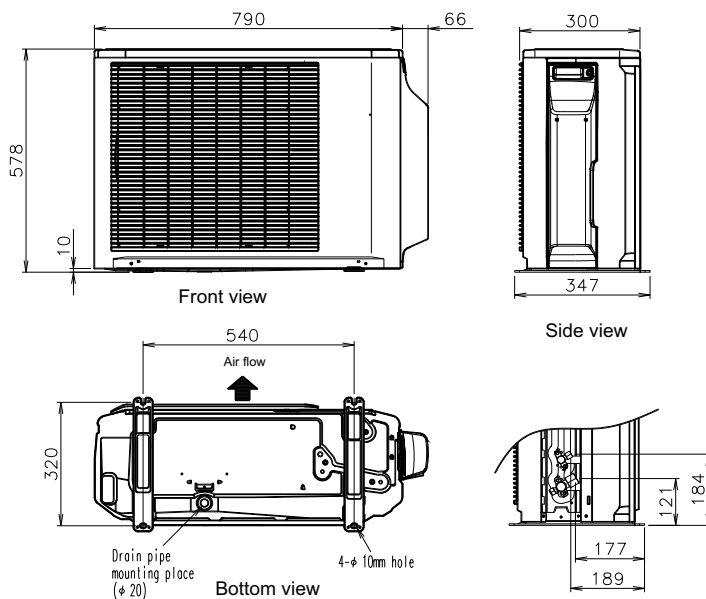
### AOYG12LBLA

Please visit our [webstore](#) for full product and technical documentation 

Nominal Cooling Capacity	(kW)	3.5
Nominal Heating Capacity	(kW)	4.1
Height	(mm)	578
Width	(mm)	790
Depth	(mm)	300
Weight	(kg)	40
Airflow Rate - Cooling - High	(m3/h)	1780
Airflow Rate - Heating - High	(m3/h)	1630
Sound Pressure Level - Cooling - High	(dB(A))	47
Sound Pressure Level - Heating - High	(dB(A))	48
Sound Power Level - Cooling - High	(dB(A))	60
Sound Power Level - Heating - High	(dB(A))	61
Refrigerant Type (Global Warming Potential)		R410A (2,088)
Liquid Pipe Size		1/4"
Gas Pipe Size		3/8"
Min - Max Pipe Length	(m)	5 - 25
Max Height Difference	(m)	15
Refrigerant Charge	(kg)	1.15
Refrigerant CO2eq-T		2.401
Precharged For	(m)	15
Additional Charge	(g/m)	20
Unit Power Supply		1Ph-230V-50Hz
Suggested Fuse Size	(A)	10
Cooling Mode Minimum Ambient	(°C)	-10
Cooling Mode Maximum Ambient	(°C)	46
Heating Mode Minimum Ambient	(°C)	-15
Heating Mode Maximum Ambient	(°C)	24



#### Document Downloads

[Accessories](#)
[Airflow](#)
[Capacity Correction](#)
[Charging Details](#)
[Controls & Accessories](#)
[Dimensional Drawing](#)
[Electrical Characteristics](#)
[Installation Manual](#)
[Installation Space](#)
[Noise Curve](#)
[Product Image](#)
[Refrigerant Circuit](#)
[Spare Parts List All Pages](#)
[Specifications](#)
[Wiring Diagram](#)


Units: mm

\*Specifications and design are subject to change without notice for further improvement.

\*Actual products' colors may be different from the colors shown in this printed material.

### ARYG14LHTBP

Please visit our webstore for full product and technical documentation 

Unit Type	Medium Static Ducted	
Remote Controller	Included	
Nominal Cooling Capacity (kW)	4.3	
Nominal Heating Capacity (kW)	5.0	
Height (mm)	300	
Width (mm)	700	
Depth (mm)	700	
Weight (kg)	27	
Filter	UTDLFNC	
Standard Static Pressure (Pa)	35	
Static Pressure Ranget (Pa)	30 to 200	
Airflow Rate - Cooling - High (m3/h)	950	
Airflow Rate - Heating - High (m3/h)	950	
Sound Pressure Level - Cooling - High (dB(A))	33	
Sound Pressure Level - Cooling - Low (dB(A))	25	
Sound Pressure Level - Heating - High (dB(A))	33	
Sound Pressure Level - Heating - Low (dB(A))	25	
Sound Power Level - Cooling - High (dB(A))	59	
Sound Power Level - Heating - High (dB(A))	60	
Moisture Removal (l/h)	0.9	
Refrigerant Type (Global Warming Potential)	R410A (2,088)	
Liquid Pipe Size	1/4"	
Gas Pipe Size	1/2"	
Unit Power Supply	From Outdoor Unit	

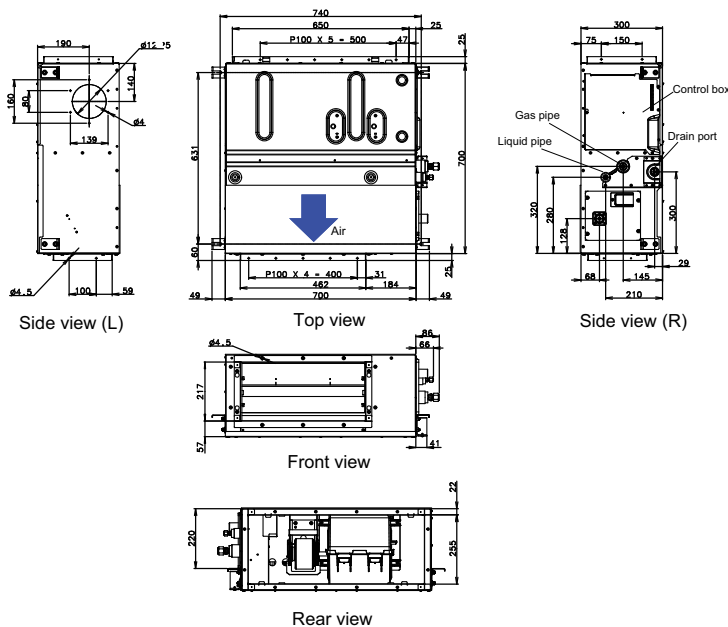


#### Document Downloads

- [Airflow - Fan Curve](#)
- [Controls & Accessories](#)
- [Dimensional Drawing](#)
- [Function Settings](#)
- [Inputs & Outputs](#)
- [Installation Manual](#)
- [Noise Curve](#)
- [Operation Manual](#)
- [Product Image](#)

- [Spare Parts List All Pages](#)
- [Specifications](#)
- [Wiring Diagram](#)

Unit: mm



\*Specifications and design are subject to change without notice for further improvement.  
 •Actual products' colors may be different from the colors shown in this printed material.

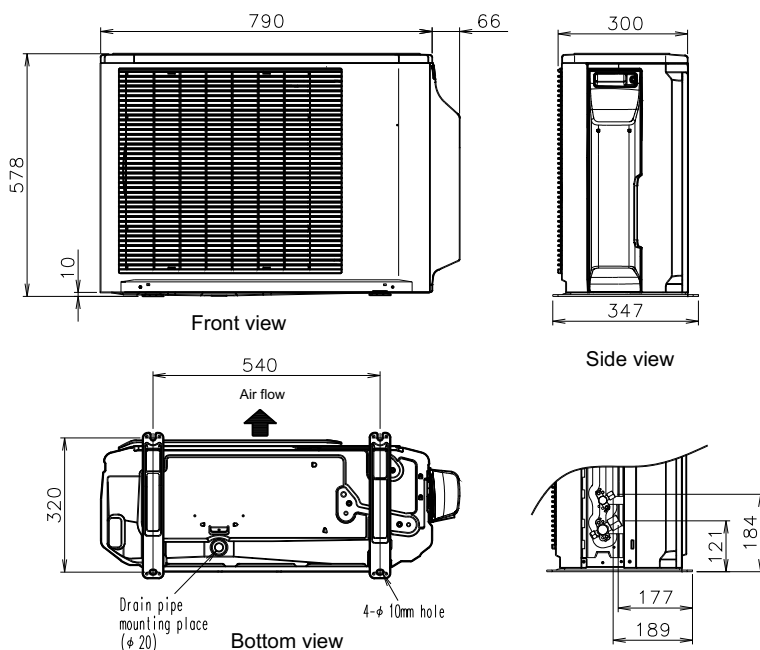
# AOYG14LBLA

Please visit our [webstore](#) for full product and technical documentation 

Nominal Cooling Capacity	(kW)	4.3
Nominal Heating Capacity	(kW)	5.0
Height	(mm)	578
Width	(mm)	790
Depth	(mm)	300
Weight	(kg)	40
Airflow Rate - Cooling - High	(m3/h)	1910
Airflow Rate - Heating - High	(m3/h)	1740
Sound Pressure Level - Cooling - High	(dB(A))	49
Sound Pressure Level - Heating - High	(dB(A))	49
Sound Power Level - Cooling - High	(dB(A))	64
Sound Power Level - Heating - High	(dB(A))	63
Refrigerant Type (Global Warming Potential)		R410A (2,088)
Liquid Pipe Size		1/4"
Gas Pipe Size		1/2"
Min - Max Pipe Length	(m)	3 - 25
Max Height Difference	(m)	15
Refrigerant Charge	(kg)	1.25
Refrigerant CO2eq-T		2.61
Precharged For	(m)	15
Additional Charge	(g/m)	20
Unit Power Supply		1Ph-230V-50Hz
Suggested Fuse Size	(A)	16
Cooling Mode Minimum Ambient	(°C)	-10
Cooling Mode Maximum Ambient	(°C)	46
Heating Mode Minimum Ambient	(°C)	-15
Heating Mode Maximum Ambient	(°C)	24



### Document Downloads

[Accessories](#)
[Airflow](#)
[Capacity Correction](#)
[Charging Details](#)
[Controls & Accessories](#)
[Dimensional Drawing](#)
[Electrical Characteristics](#)
[Installation Manual](#)
[Installation Space](#)
[Noise Curve](#)
[Product Image](#)
[Refrigerant Circuit](#)
[Spare Parts List All Pages](#)
[Specifications](#)
[Wiring Diagram](#)


Units: mm

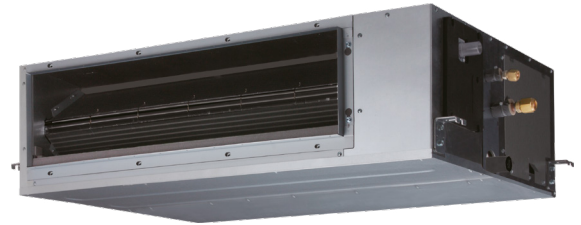
\*Specifications and design are subject to change without notice for further improvement.

\*Actual products' colors may be different from the colors shown in this printed material.

### ARYG18LHTBP

Please visit our webstore for full product and technical documentation 

Unit Type	Medium Static Ducted	
Remote Controller	Included	
Nominal Cooling Capacity (kW)	5.2	
Nominal Heating Capacity (kW)	6.0	
Height (mm)	300	
Width (mm)	1000	
Depth (mm)	700	
Weight (kg)	36	
Filter	UTDLFNB	
Standard Static Pressure (Pa)	35	
Static Pressure Ranget (Pa)	30 to 200	
Airflow Rate - Cooling - High (m3/h)	1050	
Airflow Rate - Heating - High (m3/h)	1050	
Sound Pressure Level - Cooling - High (dB(A))	28	
Sound Pressure Level - Cooling - Low (dB(A))	20	
Sound Pressure Level - Heating - High (dB(A))	28	
Sound Pressure Level - Heating - Low (dB(A))	20	
Sound Power Level - Cooling - High (dB(A))	54	
Sound Power Level - Heating - High (dB(A))	54	
Moisture Removal (l/h)	1.2	
Refrigerant Type (Global Warming Potential)	R410A (2,088)	
Liquid Pipe Size	1/4"	
Gas Pipe Size	1/2"	
Unit Power Supply	From Outdoor Unit	

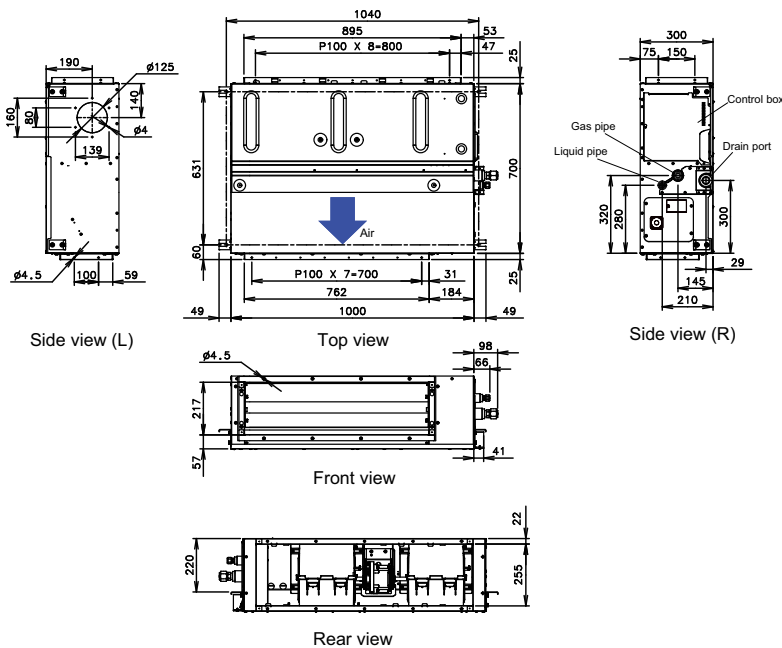


#### Document Downloads

- [Airflow - Fan Curve](#)
- [Controls & Accessories](#)
- [Dimensional Drawing](#)
- [Function Settings](#)
- [Inputs & Outputs](#)
- [Installation Manual](#)
- [Noise Curve](#)
- [Operation Manual](#)
- [Product Image](#)

- [Spare Parts List All Pages](#)
- [Specifications](#)
- [Wiring Diagram](#)

Unit: mm



\*Specifications and design are subject to change without notice for further improvement.  
 •Actual products' colors may be different from the colors shown in this printed material.

### ARYG24LHTBP

Please visit our webstore for full product and technical documentation 

Unit Type	Medium Static Ducted	
Remote Controller	Included	
Nominal Cooling Capacity (kW)	6.8	
Nominal Heating Capacity (kW)	8.0	
Height (mm)	300	
Width (mm)	1000	
Depth (mm)	700	
Weight (kg)	36	
Filter	UTDLFNB	
Standard Static Pressure (Pa)	35	
Static Pressure Ranget (Pa)	30 to 200	
Airflow Rate - Cooling - High (m3/h)	1360	
Airflow Rate - Heating - High (m3/h)	1360	
Sound Pressure Level - Cooling - High (dB(A))	32	
Sound Pressure Level - Cooling - Low (dB(A))	21	
Sound Pressure Level - Heating - High (dB(A))	32	
Sound Pressure Level - Heating - Low (dB(A))	21	
Sound Power Level - Cooling - High (dB(A))	57	
Sound Power Level - Heating - High (dB(A))	57	
Moisture Removal (l/h)	1.8	
Refrigerant Type (Global Warming Potential)	R410A (2,088)	
Liquid Pipe Size	1/4"	
Gas Pipe Size	5/8"	
Unit Power Supply	From Outdoor Unit	

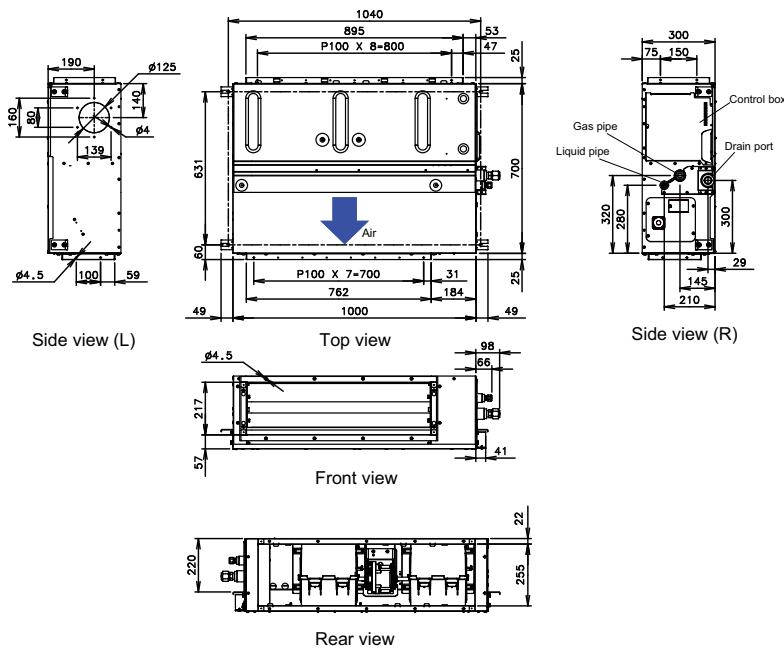


#### Document Downloads

- [Airflow - Fan Curve](#)
- [Controls & Accessories](#)
- [Dimensional Drawing](#)
- [Function Settings](#)
- [Inputs & Outputs](#)
- [Installation Manual](#)
- [Noise Curve](#)
- [Operation Manual](#)
- [Product Image](#)

- [Spare Parts List All Pages](#)
- [Specifications](#)
- [Wiring Diagram](#)

Unit: mm



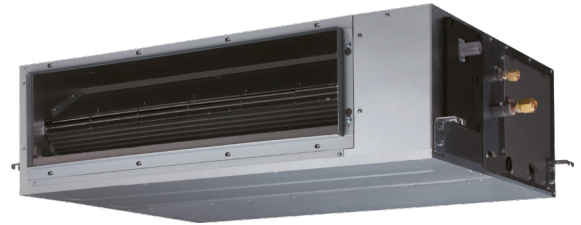
\*Specifications and design are subject to change without notice for further improvement.  
 •Actual products' colors may be different from the colors shown in this printed material.



### ARYG30LHTBP

Please visit our webstore for full product and technical documentation 

Unit Type	Medium Static Ducted	
Remote Controller	Included	
Nominal Cooling Capacity (kW)	8.5	
Nominal Heating Capacity (kW)	10.0	
Height (mm)	300	
Width (mm)	1000	
Depth (mm)	700	
Weight (kg)	36	
Filter	UTDLFNB	
Standard Static Pressure (Pa)	47	
Static Pressure Ranget (Pa)	30 to 200	
Airflow Rate - Cooling - High (m3/h)	1700	
Airflow Rate - Heating - High (m3/h)	1700	
Sound Pressure Level - Cooling - High (dB(A))	36	
Sound Pressure Level - Cooling - Low (dB(A))	29	
Sound Pressure Level - Heating - High (dB(A))	36	
Sound Pressure Level - Heating - Low (dB(A))	29	
Sound Power Level - Cooling - High (dB(A))	63	
Sound Power Level - Heating - High (dB(A))	65	
Moisture Removal (l/h)	2.3	
Refrigerant Type (Global Warming Potential)	R410A (2,088)	
Liquid Pipe Size	3/8"	
Gas Pipe Size	5/8"	
Unit Power Supply	From Outdoor Unit	

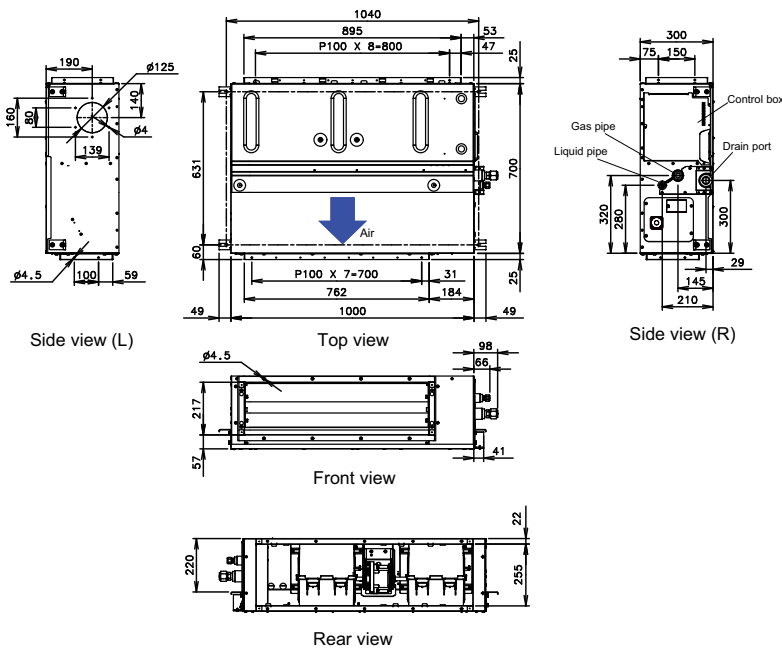


#### Document Downloads

- [Airflow - Fan Curve](#)
- [Controls & Accessories](#)
- [Dimensional Drawing](#)
- [Function Settings](#)
- [Inputs & Outputs](#)
- [Installation Manual](#)
- [Noise Curve](#)
- [Operation Manual](#)
- [Product Image](#)

- [Spare Parts List All Pages](#)
- [Specifications](#)
- [Wiring Diagram](#)

Unit: mm



\*Specifications and design are subject to change without notice for further improvement.  
 •Actual products' colors may be different from the colors shown in this printed material.

### ARYG36LHTBP

Please visit our webstore for full product and technical documentation 

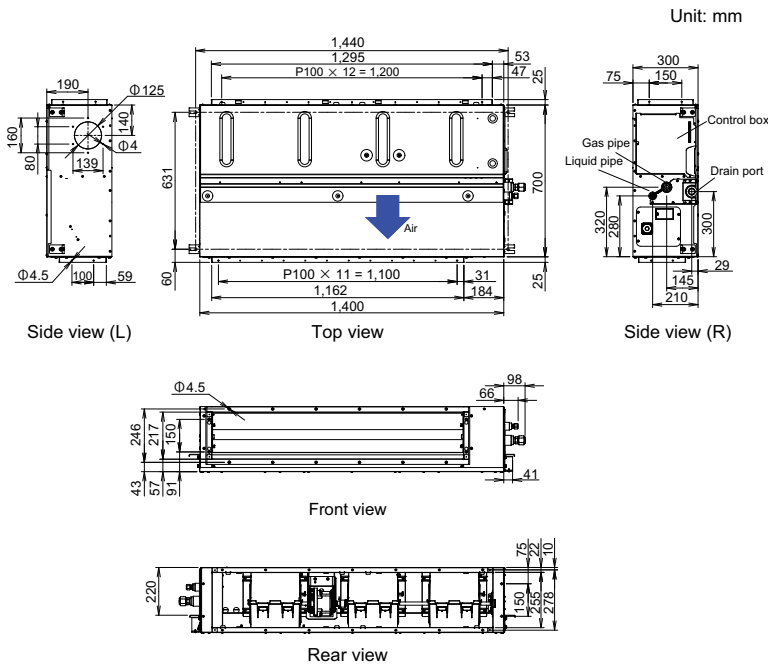
Unit Type	Medium Static Ducted	
Remote Controller	Included	
Nominal Cooling Capacity (kW)	9.4	
Nominal Heating Capacity (kW)	11.2	
Height (mm)	300	
Width (mm)	1400	
Depth (mm)	700	
Weight (kg)	46	
Filter	UTDLFNA	
Standard Static Pressure (Pa)	47	
Static Pressure Ranget (Pa)	30 to 200	
Airflow Rate - Cooling - High (m3/h)	2050	
Airflow Rate - Heating - High (m3/h)	1850	
Sound Pressure Level - Cooling - High (dB(A))	36	
Sound Pressure Level - Cooling - Low (dB(A))	26	
Sound Pressure Level - Heating - High (dB(A))	33	
Sound Pressure Level - Heating - Low (dB(A))	26	
Sound Power Level - Cooling - High (dB(A))	64	
Sound Power Level - Heating - High (dB(A))	63	
Moisture Removal (l/h)	2	
Refrigerant Type (Global Warming Potential)	R410A (2,088)	
Liquid Pipe Size	3/8"	
Gas Pipe Size	5/8"	
Unit Power Supply	From Outdoor Unit	



#### Document Downloads

- [Airflow - Fan Curve](#)
- [Controls & Accessories](#)
- [Dimensional Drawing](#)
- [Function Settings](#)
- [Inputs & Outputs](#)
- [Installation Manual](#)
- [Noise Curve](#)
- [Operation Manual](#)
- [Product Image](#)

- [Spare Parts List All Pages](#)
- [Specifications](#)
- [Wiring Diagram](#)



\*Specifications and design are subject to change without notice for further improvement.  
 •Actual products' colors may be different from the colors shown in this printed material.

### ARYG45LHTBP

Please visit our webstore for full product and technical documentation 

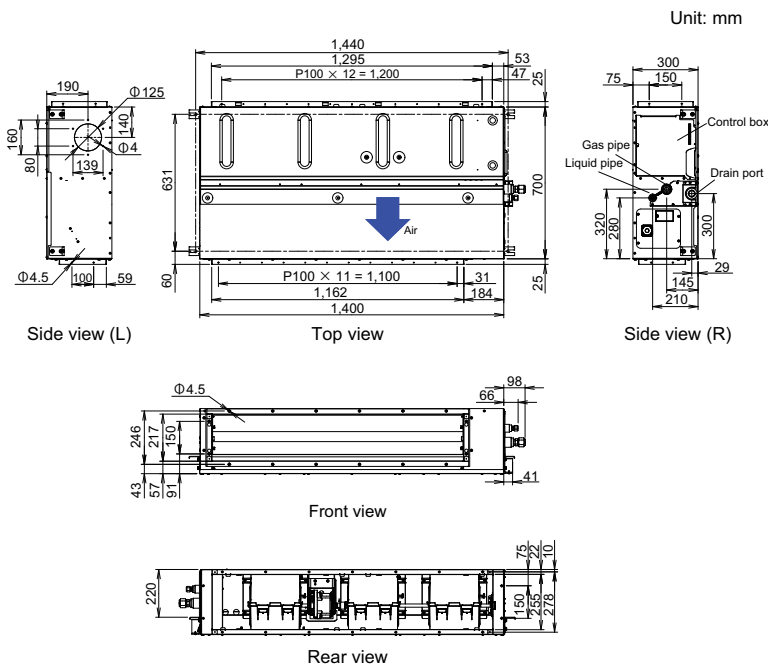
Unit Type	Medium Static Ducted	
Remote Controller	Included	
Nominal Cooling Capacity (kW)	12.1	
Nominal Heating Capacity (kW)	13.3	
Height (mm)	300	
Width (mm)	1400	
Depth (mm)	700	
Weight (kg)	46	
Filter	UTDLFNA	
Standard Static Pressure (Pa)	60	
Static Pressure Ranget (Pa)	30 to 200	
Airflow Rate - Cooling - High (m3/h)	2550	
Airflow Rate - Heating - High (m3/h)	2550	
Sound Pressure Level - Cooling - High (dB(A))	39	
Sound Pressure Level - Cooling - Low (dB(A))	29	
Sound Pressure Level - Heating - High (dB(A))	39	
Sound Pressure Level - Heating - Low (dB(A))	29	
Sound Power Level - Cooling - High (dB(A))	67	
Sound Power Level - Heating - High (dB(A))	69	
Moisture Removal (l/h)	2.6	
Refrigerant Type (Global Warming Potential)	R410A (2,088)	
Liquid Pipe Size	3/8"	
Gas Pipe Size	5/8"	
Unit Power Supply	From Outdoor Unit	



#### Document Downloads

- [Airflow - Fan Curve](#)
- [Controls & Accessories](#)
- [Dimensional Drawing](#)
- [Function Settings](#)
- [Inputs & Outputs](#)
- [Installation Manual](#)
- [Noise Curve](#)
- [Operation Manual](#)
- [Product Image](#)

- [Spare Parts List All Pages](#)
- [Specifications](#)
- [Wiring Diagram](#)



\*Specifications and design are subject to change without notice for further improvement.  
 •Actual products' colors may be different from the colors shown in this printed material.

### ARYG54LHTBP

Please visit our webstore for full product and technical documentation 

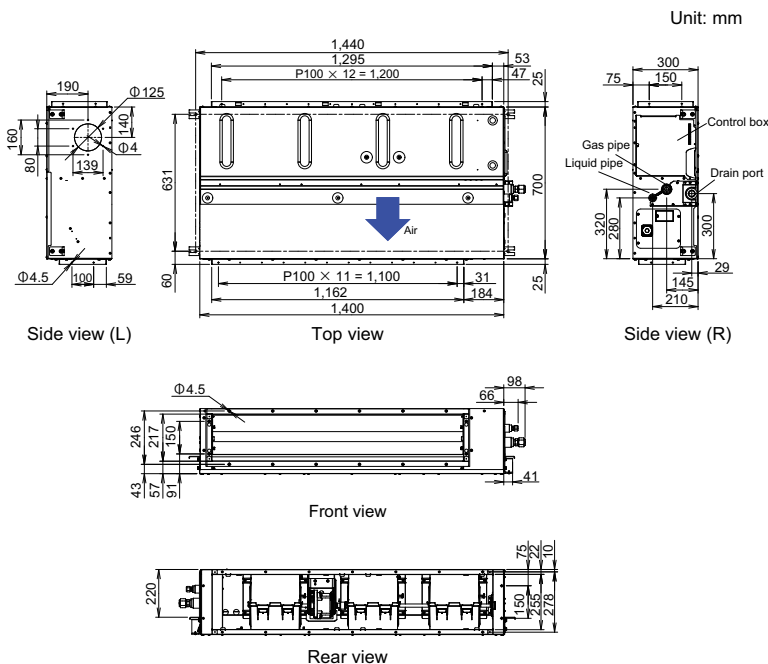
Unit Type	Medium Static Ducted	
Remote Controller	Included	
Nominal Cooling Capacity (kW)	13.4	
Nominal Heating Capacity (kW)	16.0	
Height (mm)	300	
Width (mm)	1400	
Depth (mm)	700	
Weight (kg)	46	
Filter	UTDLFNA	
Standard Static Pressure (Pa)	60	
Static Pressure Ranget (Pa)	30 to 200	
Airflow Rate - Cooling - High (m3/h)	2550	
Airflow Rate - Heating - High (m3/h)	2550	
Sound Pressure Level - Cooling - High (dB(A))	39	
Sound Pressure Level - Cooling - Low (dB(A))	29	
Sound Pressure Level - Heating - High (dB(A))	39	
Sound Pressure Level - Heating - Low (dB(A))	29	
Sound Power Level - Cooling - High (dB(A))	67	
Sound Power Level - Heating - High (dB(A))	69	
Moisture Removal (l/h)	3.7	
Refrigerant Type (Global Warming Potential)	R410A (2,088)	
Liquid Pipe Size	3/8"	
Gas Pipe Size	5/8"	
Unit Power Supply	From Outdoor Unit	



#### Document Downloads

- [Airflow - Fan Curve](#)
- [Controls & Accessories](#)
- [Dimensional Drawing](#)
- [Function Settings](#)
- [Inputs & Outputs](#)
- [Installation Manual](#)
- [Noise Curve](#)
- [Operation Manual](#)
- [Product Image](#)

- [Spare Parts List All Pages](#)
- [Specifications](#)
- [Wiring Diagram](#)



\*Specifications and design are subject to change without notice for further improvement.  
 •Actual products' colors may be different from the colors shown in this printed material.

### ARYG45LHTA

Please visit our webstore for full product and technical documentation 

Unit Type	High Static Ducted	
Remote Controller	Option	
Nominal Cooling Capacity (kW)	12.5	
Nominal Heating Capacity (kW)	14.0	
Height (mm)	400	
Width (mm)	1050	
Depth (mm)	500	
Weight (kg)	46	
Filter	UTDLF60KA	
Standard Static Pressure (Pa)	100	
Static Pressure Ranget (Pa)	100 to 250	
Airflow Rate - Cooling - High (m3/h)	3350	
Airflow Rate - Heating - High (m3/h)	3350	
Sound Pressure Level - Cooling - High (dB(A))	47	
Sound Pressure Level - Cooling - Low (dB(A))	40	
Sound Pressure Level - Heating - High (dB(A))	47	
Sound Pressure Level - Heating - Low (dB(A))	40	
Moisture Removal (l/h)	1.5	
Refrigerant Type (Global Warming Potential)	R410A (2,088)	
Liquid Pipe Size	3/8"	
Gas Pipe Size	5/8"	
Unit Power Supply	From Outdoor Unit	

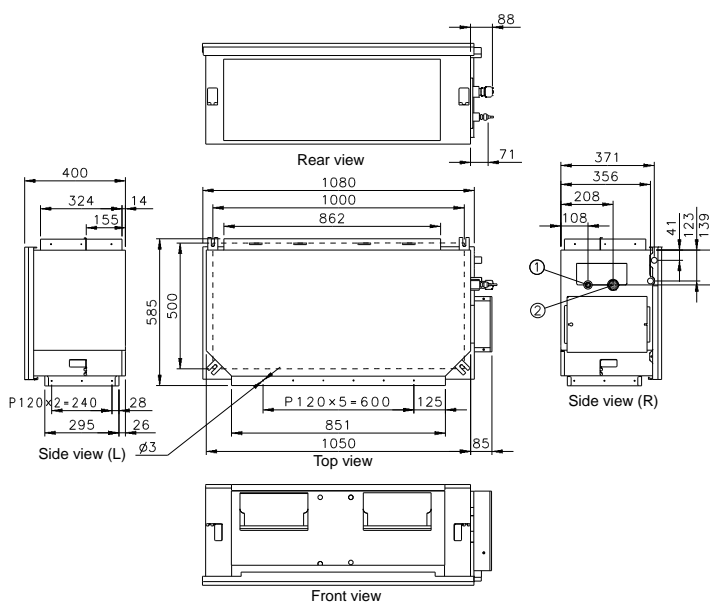
(Unit : mm)



#### Document Downloads

- [Airflow - Fan Curve](#)
- [Controls & Accessories](#)
- [Dimensional Drawing](#)
- [Function Settings](#)
- [Inputs & Outputs](#)
- [Installation Manual](#)
- [Noise Curve](#)
- [Operation Manual](#)
- [Product Image](#)

- [Spare Parts List All Pages](#)
- [Specifications](#)
- [Wiring Diagram](#)



- ① Refrigerant piping flare connection (Liquid)
- ② Refrigerant piping flare connection (Gas)

\*Specifications and design are subject to change without notice for further improvement.  
 •Actual products' colors may be different from the colors shown in this printed material.

# ARYG54LHTA

Please visit our webstore for full product and technical documentation 

Unit Type	High Static Ducted	
Remote Controller	Option	
Nominal Cooling Capacity (kW)	13.4	
Nominal Heating Capacity (kW)	16.0	
Height (mm)	400	
Width (mm)	1050	
Depth (mm)	500	
Weight (kg)	46	
Filter	UTDLF60KA	
Standard Static Pressure (Pa)	100	
Static Pressure Ranget (Pa)	100 to 250	
Airflow Rate - Cooling - High (m3/h)	3350	
Airflow Rate - Heating - High (m3/h)	3350	
Sound Pressure Level - Cooling - High (dB(A))	47	
Sound Pressure Level - Cooling - Low (dB(A))	40	
Sound Pressure Level - Heating - High (dB(A))	47	
Sound Pressure Level - Heating - Low (dB(A))	40	
Moisture Removal (l/h)	2	
Refrigerant Type (Global Warming Potential)	R410A (2,088)	
Liquid Pipe Size	3/8"	
Gas Pipe Size	5/8"	
Unit Power Supply	From Outdoor Unit	

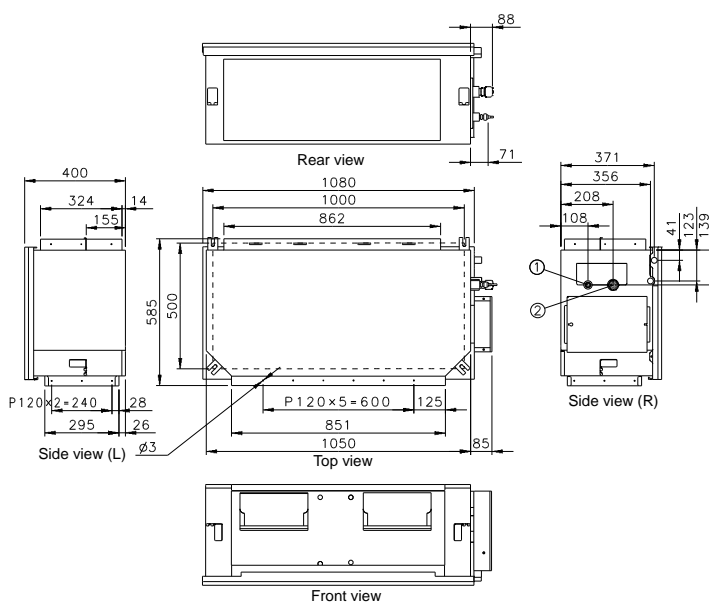
(Unit : mm)



### Document Downloads

- [Airflow - Fan Curve](#)
- [Controls & Accessories](#)
- [Dimensional Drawing](#)
- [Function Settings](#)
- [Inputs & Outputs](#)
- [Installation Manual](#)
- [Noise Curve](#)
- [Operation Manual](#)
- [Product Image](#)

- [Spare Parts List All Pages](#)
- [Specifications](#)
- [Wiring Diagram](#)



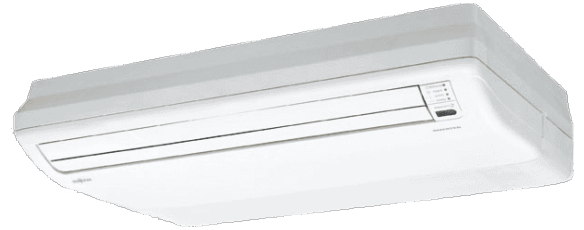
- ① Refrigerant piping flare connection (Liquid)
- ② Refrigerant piping flare connection (Gas)

\*Specifications and design are subject to change without notice for further improvement.  
 •Actual products' colors may be different from the colors shown in this printed material.

### ABYG14LVTA

Please visit our webstore for full product and technical documentation 

Unit Type	Floor - Ceiling
Remote Controller	IR Included
Nominal Cooling Capacity (kW)	4.0
Nominal Heating Capacity (kW)	
Height (mm)	199
Width (mm)	990
Depth (mm)	655
Weight (kg)	27
Airflow Rate - Cooling - High (m <sup>3</sup> /h)	640
Airflow Rate - Heating - High (m <sup>3</sup> /h)	640
Sound Pressure Level - Cooling - High (dB(A))	39
Sound Pressure Level - Cooling - Low (dB(A))	36
Sound Pressure Level - Heating - High (dB(A))	39
Sound Pressure Level - Heating - Low (dB(A))	36
Sound Power Level - Cooling - High (dB(A))	51
Sound Power Level - Heating - High (dB(A))	51
Moisture Removal (l/h)	
Refrigerant Type (Global Warming Potential)	R410A (2,088)
Liquid Pipe Size	1/4"
Gas Pipe Size	1/2"
Unit Power Supply	From Outdoor Unit

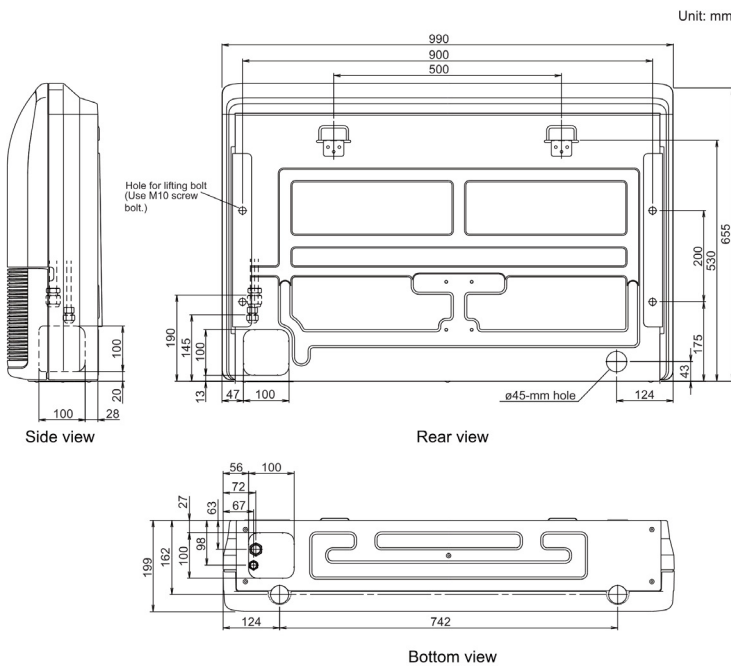


#### Document Downloads

- [Air Distribution](#)
- [Airflow](#)
- [Controls & Accessories](#)
- [Dimensional Drawing](#)
- [Electrical Characteristics](#)
- [Function Settings](#)
- [Inputs & Outputs](#)
- [Installation Manual](#)
- [Noise Curve](#)
- [Operation Manual](#)
- [Product Image](#)
- [Spare Parts List All Pages](#)
- [Specifications](#)
- [Wiring Diagram](#)

#### Related Items

- [AOYG45LBLA6](#) 12.5kW 6 Way Multi Outdoor Unit - R410A 1 Ph



\*Specifications and design are subject to change without notice for further improvement.  
 •Actual products' colors may be different from the colors shown in this printed material.

### ABYG30LRTE

Please visit our webstore for full product and technical documentation 

Unit Type	Remote Controller	Ceiling Suspended	IR Included
Nominal Cooling Capacity	(kW)	8.5	
Nominal Heating Capacity	(kW)	10.0	
Height	(mm)	240	
Width	(mm)	1660	
Depth	(mm)	700	
Weight	(kg)	46	
Airflow Rate - Cooling - High	(m <sup>3</sup> /h)	1660	
Airflow Rate - Heating - High	(m <sup>3</sup> /h)	1660	
Sound Pressure Level - Cooling - High	(dB(A))	45	
Sound Pressure Level - Cooling - Low	(dB(A))	32	
Sound Pressure Level - Heating - High	(dB(A))	45	
Sound Pressure Level - Heating - Low	(dB(A))	32	
Sound Power Level - Cooling - High	(dB(A))	57	
Sound Power Level - Heating - High	(dB(A))	60	
Moisture Removal	(l/h)	2.5	
Refrigerant Type (Global Warming Potential)		R410A (2,088)	
Liquid Pipe Size		3/8"	
Gas Pipe Size		5/8"	
Unit Power Supply		From Outdoor Unit	

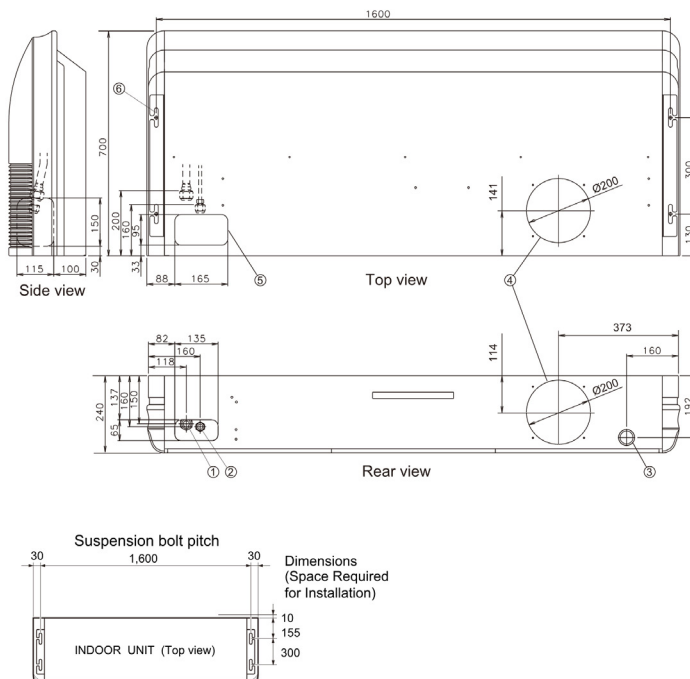


#### Document Downloads

- [Airflow - Fan Curve](#)
- [Controls & Accessories](#)
- [Dimensional Drawing](#)
- [Function Settings](#)
- [Inputs & Outputs](#)
- [Installation Manual](#)
- [Noise Curve](#)
- [Product Image](#)
- [Spare Parts List All Pages](#)

- [Specifications](#)
- [Wiring Diagram](#)

(Unit : mm)



\*Specifications and design are subject to change without notice for further improvement.  
 •Actual products' colors may be different from the colors shown in this printed material.



### ABYG36LRTE

Please visit our webstore for full product and technical documentation 

Unit Type	Remote Controller	Ceiling Suspended	IR Included
Nominal Cooling Capacity	(kW)	9.4	
Nominal Heating Capacity	(kW)	11.2	
Height	(mm)	240	
Width	(mm)	1660	
Depth	(mm)	700	
Weight	(kg)	46	
Airflow Rate - Cooling - High	(m <sup>3</sup> /h)	1900	
Airflow Rate - Heating - High	(m <sup>3</sup> /h)	1900	
Sound Pressure Level - Cooling - High	(dB(A))	47	
Sound Pressure Level - Cooling - Low	(dB(A))	32	
Sound Pressure Level - Heating - High	(dB(A))	47	
Sound Pressure Level - Heating - Low	(dB(A))	32	
Sound Power Level - Cooling - High	(dB(A))	60	
Sound Power Level - Heating - High	(dB(A))	61	
Moisture Removal	(l/h)	3	
Refrigerant Type (Global Warming Potential)		R410A (2,088)	
Liquid Pipe Size		3/8"	
Gas Pipe Size		5/8"	
Unit Power Supply		From Outdoor Unit	

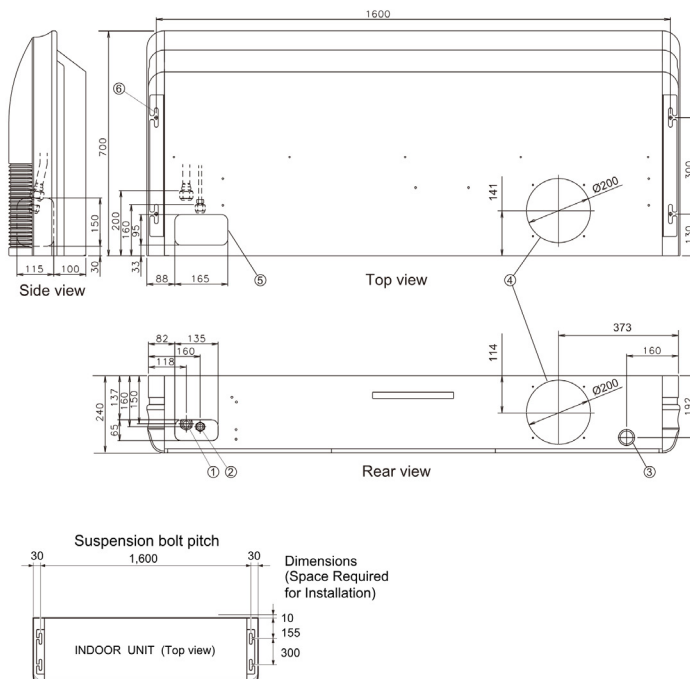


#### Document Downloads

- [Airflow - Fan Curve](#)
- [Controls & Accessories](#)
- [Dimensional Drawing](#)
- [Function Settings](#)
- [Inputs & Outputs](#)
- [Installation Manual](#)
- [Noise Curve](#)
- [Product Image](#)
- [Spare Parts List All Pages](#)

- [Specifications](#)
- [Wiring Diagram](#)

(Unit : mm)



\*Specifications and design are subject to change without notice for further improvement.  
 •Actual products' colors may be different from the colors shown in this printed material.

## ABYG36LRTA

Please visit our webstore for full product and technical documentation 

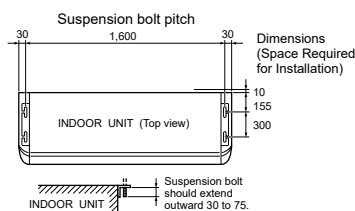
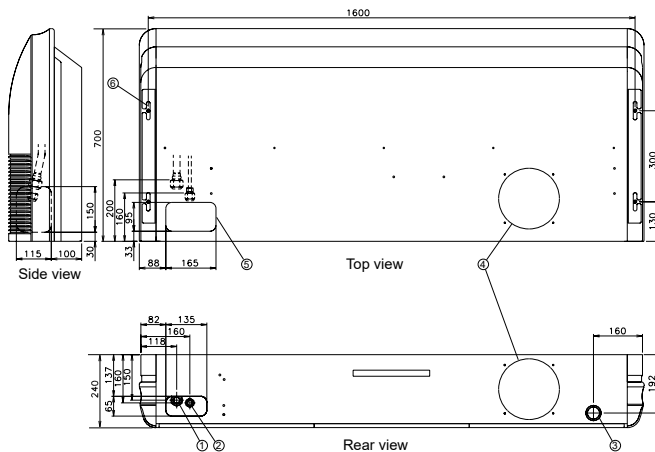
Unit Type	Remote Controller	Ceiling Suspended	IR Included
Nominal Cooling Capacity	(kW)	10.0	
Nominal Heating Capacity	(kW)	11.2	
Height	(mm)	240	
Width	(mm)	1660	
Depth	(mm)	700	
Weight	(kg)	46	
Airflow Rate - Cooling - High	(m <sup>3</sup> /h)	1900	
Airflow Rate - Heating - High	(m <sup>3</sup> /h)	1900	
Sound Pressure Level - Cooling - High	(dB(A))	47	
Sound Pressure Level - Cooling - Low	(dB(A))	32	
Sound Pressure Level - Heating - High	(dB(A))	47	
Sound Pressure Level - Heating - Low	(dB(A))	32	
Sound Power Level - Cooling - High	(dB(A))	61	
Sound Power Level - Heating - High	(dB(A))	61	
Moisture Removal	(l/h)	3	
Refrigerant Type (Global Warming Potential)		R410A (2,088)	
Liquid Pipe Size		3/8"	
Gas Pipe Size		5/8"	
Unit Power Supply		From Outdoor Unit	



### Document Downloads

- [Airflow - Fan Curve](#)
- [Controls & Accessories](#)
- [Dimensional Drawing](#)
- [Function Settings](#)
- [Inputs & Outputs](#)
- [Installation Manual](#)
- [Noise Curve](#)
- [Product Image](#)
- [Spare Parts List All Pages](#)

- [Specifications](#)
- [Wiring Diagram](#)



\*Specifications and design are subject to change without notice for further improvement.  
 •Actual products' colors may be different from the colors shown in this printed material.

### ABYG45LRTA

Please visit our webstore for full product and technical documentation 

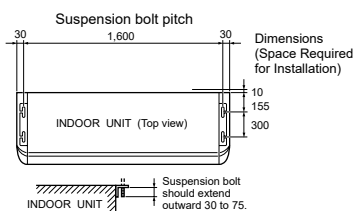
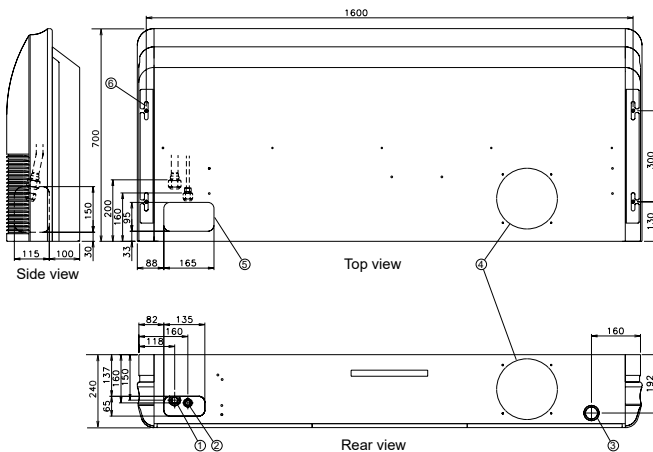
Unit Type	Remote Controller	Ceiling Suspended	IR Included
Nominal Cooling Capacity	(kW)	12.1	
Nominal Heating Capacity	(kW)	13.3	
Height	(mm)	240	
Width	(mm)	1660	
Depth	(mm)	700	
Weight	(kg)	46	
Airflow Rate - Cooling - High	(m3/h)	2100	
Airflow Rate - Heating - High	(m3/h)	2100	
Sound Pressure Level - Cooling - High	(dB(A))	49	
Sound Pressure Level - Cooling - Low	(dB(A))	34	
Sound Pressure Level - Heating - High	(dB(A))	49	
Sound Pressure Level - Heating - Low	(dB(A))	34	
Moisture Removal	(l/h)	4	
Refrigerant Type (Global Warming Potential)		R410A (2,088)	
Liquid Pipe Size		3/8"	
Gas Pipe Size		5/8"	
Unit Power Supply		From Outdoor Unit	



#### Document Downloads

- [Airflow - Fan Curve](#)
- [Controls & Accessories](#)
- [Dimensional Drawing](#)
- [Function Settings](#)
- [Inputs & Outputs](#)
- [Installation Manual](#)
- [Noise Curve](#)
- [Operation Manual](#)
- [Product Image](#)

- [Spare Parts List All Pages](#)
- [Specifications](#)
- [Wiring Diagram](#)



\*Specifications and design are subject to change without notice for further improvement.  
 •Actual products' colors may be different from the colors shown in this printed material.

### ABYG54LRTA

Please visit our webstore for full product and technical documentation 

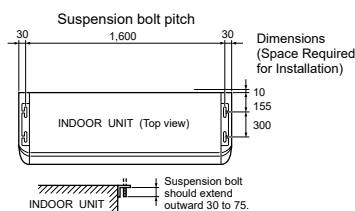
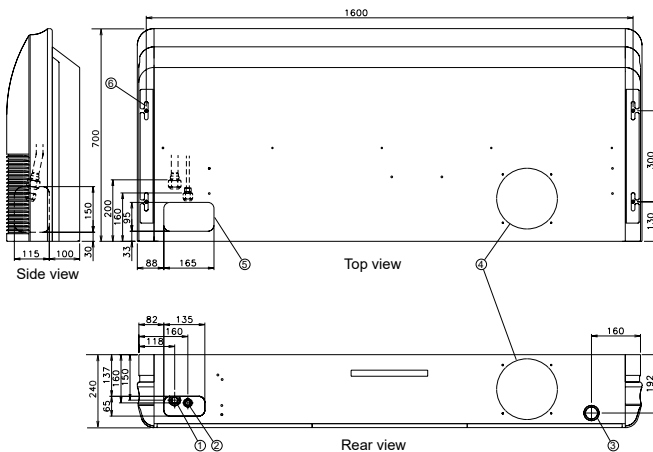
Unit Type	Ceiling Suspended	
Remote Controller	IR Included	
Nominal Cooling Capacity (kW)	14.0	
Nominal Heating Capacity (kW)	16.0	
Height (mm)	240	
Width (mm)	1660	
Depth (mm)	700	
Weight (kg)	48	
Airflow Rate - Cooling - High (m3/h)	2300	
Airflow Rate - Heating - High (m3/h)	2300	
Sound Pressure Level - Cooling - High (dB(A))	51	
Sound Pressure Level - Cooling - Low (dB(A))	38	
Sound Pressure Level - Heating - High (dB(A))	51	
Sound Pressure Level - Heating - Low (dB(A))	38	
Moisture Removal (l/h)	5	
Refrigerant Type (Global Warming Potential)	R410A (2,088)	
Liquid Pipe Size	3/8"	
Gas Pipe Size	5/8"	
Unit Power Supply	From Outdoor Unit	



#### Document Downloads

- [Airflow - Fan Curve](#)
- [Controls & Accessories](#)
- [Dimensional Drawing](#)
- [Function Settings](#)
- [Inputs & Outputs](#)
- [Installation Manual](#)
- [Noise Curve](#)
- [Product Image](#)
- [Spare Parts List All Pages](#)

- [Specifications](#)
- [Wiring Diagram](#)



\*Specifications and design are subject to change without notice for further improvement.  
 •Actual products' colors may be different from the colors shown in this printed material.

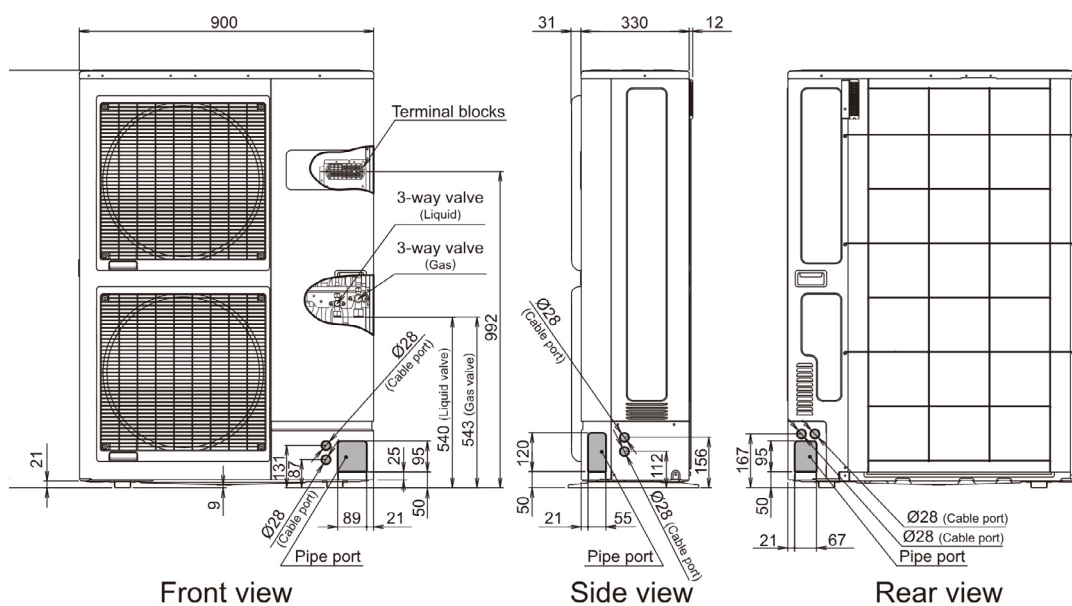
# AOYG36LBTB

Please visit our [webstore](#) for full product and technical documentation 



Nominal Cooling Capacity	(kW)	10.0
Nominal Heating Capacity	(kW)	11.2
Height	(mm)	1290
Width	(mm)	900
Depth	(mm)	330
Weight	(kg)	93
Airflow Rate - Cooling - High	(m <sup>3</sup> /h)	6200
Airflow Rate - Heating - High	(m <sup>3</sup> /h)	6200
Sound Pressure Level - Cooling - High	(dB(A))	52
Sound Pressure Level - Heating - High	(dB(A))	54
Sound Power Level - Cooling - High	(dB(A))	68
Sound Power Level - Heating - High	(dB(A))	69
Refrigerant Type (Global Warming Potential)		R410A (2,088)
Liquid Pipe Size		3/8"
Gas Pipe Size		5/8"
Min - Max Pipe Length	(m)	5 - 75
Max Height Difference	(m)	30
Refrigerant Charge (kg)	(kg)	3.45
Refrigerant CO <sub>2</sub> eq-T		7.204
Precharged For	(m)	30
Additional Charge (g/m)	(g/m)	
Unit Power Supply		1Ph-230V-50Hz
Suggested Fuse Size	(A)	
Cooling Mode Minimum Ambient	(°C)	-15
Cooling Mode Maximum Ambient	(°C)	46
Heating Mode Minimum Ambient	(°C)	-15
Heating Mode Maximum Ambient	(°C)	24

### Document Downloads

[Airflow](#)
[Capacity Correction](#)
[Charging Details](#)
[Design & Technical Manual](#)
[Dimensional Drawing](#)
[Electrical Characteristics](#)
[Installation Manual](#)
[Noise Curve](#)
[Product Image](#)
[Refrigerant Circuit](#)
[Spare Parts List All Pages](#)
[Specifications](#)
[Wiring Diagram](#)


Units: mm

\*Specifications and design are subject to change without notice for further improvement.

\*Actual products' colors may be different from the colors shown in this printed material.

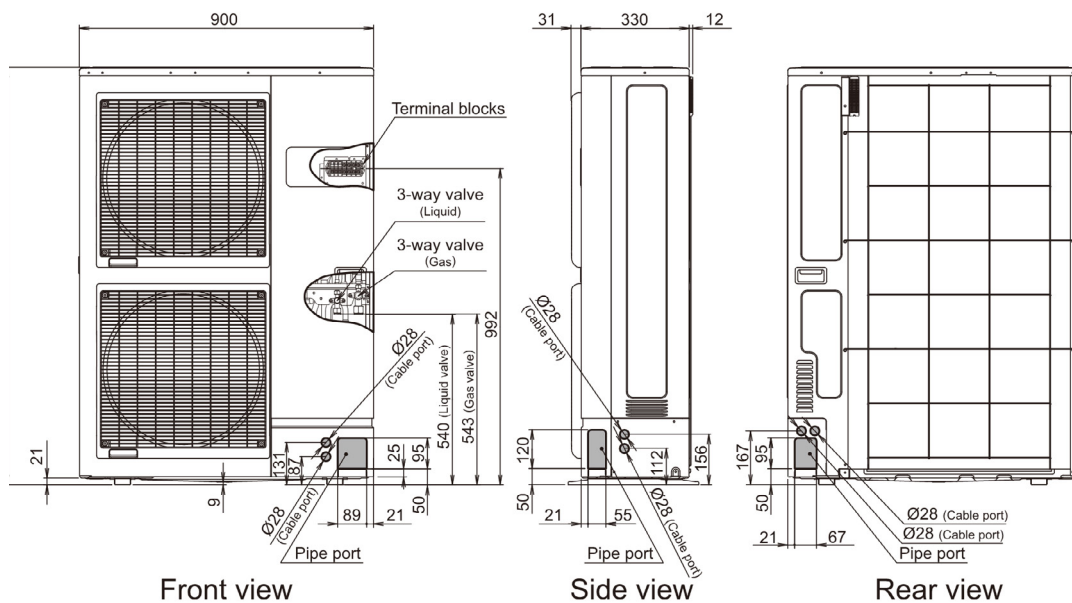
### AOYG54LBTB

Please visit our [webstore](#) for full product and technical documentation 



Nominal Cooling Capacity	(kW)	13.3
Nominal Heating Capacity	(kW)	15.0
Height	(mm)	1290
Width	(mm)	900
Depth	(mm)	330
Weight	(kg)	93
Airflow Rate - Cooling - High	(m3/h)	6850
Airflow Rate - Heating - High	(m3/h)	6750
Sound Pressure Level - Cooling - High	(dB(A))	55
Sound Pressure Level - Heating - High	(dB(A))	57
Sound Power Level - Cooling - High	(dB(A))	71
Sound Power Level - Heating - High	(dB(A))	72
Refrigerant Type (Global Warming Potential)		R410A (2,088)
Liquid Pipe Size		3/8"
Gas Pipe Size		5/8"
Min - Max Pipe Length	(m)	5 - 75
Max Height Difference	(m)	30
Refrigerant Charge (kg)	(kg)	3.45
Refrigerant CO2eq-T		7.204
Precharged For	(m)	30
Additional Charge (g/m)	(g/m)	
Unit Power Supply		1Ph-230V-50Hz
Suggested Fuse Size	(A)	
Cooling Mode Minimum Ambient	(°C)	-15
Cooling Mode Maximum Ambient	(°C)	46
Heating Mode Minimum Ambient	(°C)	-15
Heating Mode Maximum Ambient	(°C)	24

#### Document Downloads

[Airflow](#)
[Capacity Correction](#)
[Charging Details](#)
[Design & Technical Manual](#)
[Dimensional Drawing](#)
[Electrical Characteristics](#)
[Installation Manual](#)
[Noise Curve](#)
[Product Image](#)
[Refrigerant Circuit](#)
[Spare Parts List All Pages](#)
[Specifications](#)
[Wiring Diagram](#)


\*Specifications and design are subject to change without notice for further improvement.  
 •Actual products' colors may be different from the colors shown in this printed material.

### AJY040LCLBH

Please visit our webstore for full product and technical documentation 

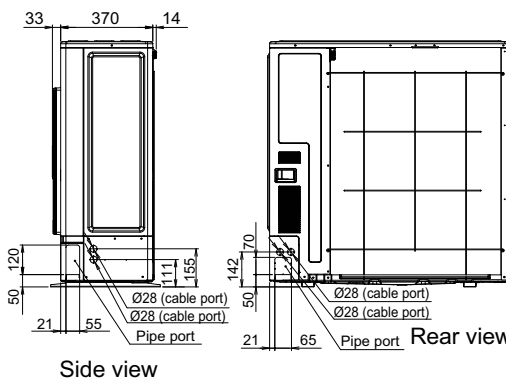
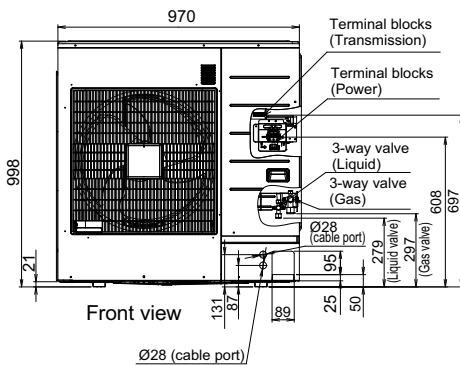
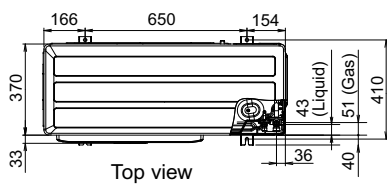
Nominal Cooling Capacity (kW)	12.1
Nominal Heating Capacity (kW)	12.1
Range	J-IVS
Horse Power	4
Maximum Connectable Indoor Units	11
EER	3.52
COP (Nominal Heating)	4.74
Dimensions (H x W x D) (mm)	998 x 970 x 370
Weight (kg)	86
Airflow Rate (Cooling - Heating) High (m <sup>3</sup> /h)	4040 - 4040
Available Static Pressure (Pa)	-
Sound Pressure Level (Cooling - Heating) High (dB(A))	51 - 54
Sound Power Level (Cooling - Heating) High (dB(A))	67 - 68
Refrigerant Type (Global Warming Potential)	R410A (2,088)
Pipe Sizes (Liquid - Gas)	3/8" - 5/8"
Total Pipe Length (m)	80
Max Height Difference (OU: Upper / Lower) (m)	30 / 30
Refrigerant Charge (kg)	4.0
Refrigerant CO <sub>2</sub> eq-T	8.4
Unit Power Supply	1Ph-230V-50Hz
Cooling Mode Operating Range (°C)	-5 to 46
Heating Mode Operating Range (°C)	-20 to 21



#### Document Downloads

- [Cooling Capacity](#)
- [Dimensional Drawing](#)
- [Electrical Characteristics](#)
- [Heating Capacity](#)
- [Installation Manual](#)
- [Installation Space](#)
- [Noise Curve](#)
- [Product Image](#)
- [Refrigerant Circuit](#)

- [Spare Parts List All Pages](#)
- [Specifications](#)
- [Wiring Diagram](#)



Units: mm

\*Specifications and design are subject to change without notice for further improvement.

\*Actual products' colors may be different from the colors shown in this printed material.

### AJY045LCLBH

Please visit our webstore for full product and technical documentation 

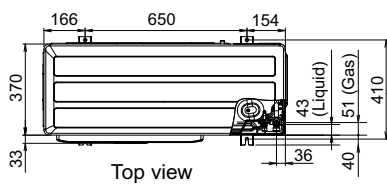
Nominal Cooling Capacity (kW)	14.0
Nominal Heating Capacity (kW)	14.0
Range	J-IVS
Horse Power	5
Maximum Connectable Indoor Units	12
EER	3.16
COP (Nominal Heating)	4.51
Dimensions (H x W x D) (mm)	998 x 970 x 370
Weight (kg)	86
Airflow Rate (Cooling - Heating) High (m3/h)	4200 - 4200
Available Static Pressure (Pa)	-
Sound Pressure Level (Cooling - Heating) High (dB(A))	53 - 56
Sound Power Level (Cooling - Heating) High (dB(A))	69 - 69
Refrigerant Type (Global Warming Potential)	R410A (2,088)
Pipe Sizes (Liquid - Gas)	3/8" - 5/8"
Total Pipe Length (m)	80
Max Height Difference (OU: Upper / Lower) (m)	30 / 30
Refrigerant Charge (kg)	4.0
Refrigerant CO2eq-T	8.4
Unit Power Supply	1Ph-230V-50Hz
Cooling Mode Operating Range (°C)	-5 to 46
Heating Mode Operating Range (°C)	-20 to 21



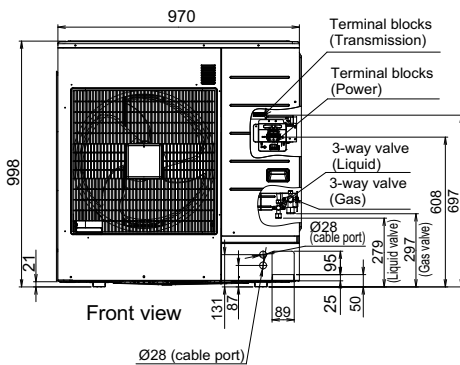
#### Document Downloads

- [Cooling Capacity](#)
- [Dimensional Drawing](#)
- [Electrical Characteristics](#)
- [Heating Capacity](#)
- [Installation Manual](#)
- [Installation Space](#)
- [Noise Curve](#)
- [Product Image](#)
- [Refrigerant Circuit](#)

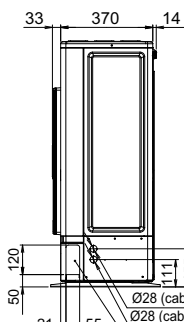
- [Spare Parts List All Pages](#)
- [Specifications](#)
- [Wiring Diagram](#)



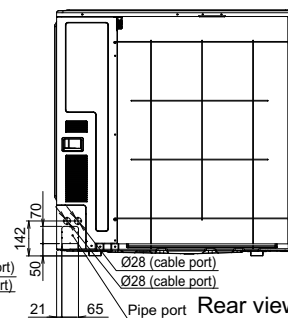
Top view



Front view



Side view



Rear view

Units: mm

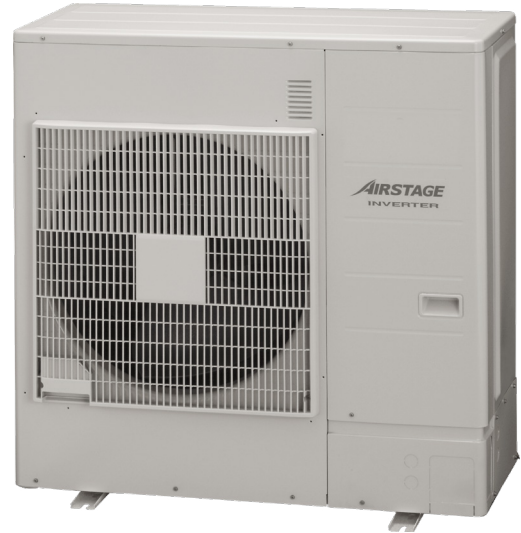
\*Specifications and design are subject to change without notice for further improvement.  
 •Actual products' colors may be different from the colors shown in this printed material.



### AJY054LCLBH

Please visit our webstore for full product and technical documentation 

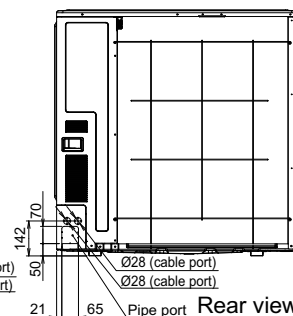
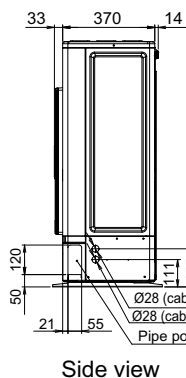
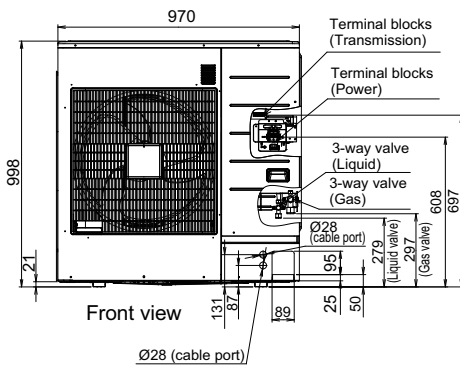
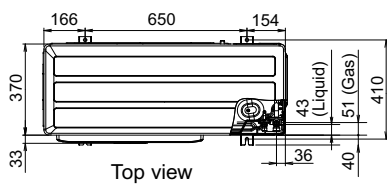
Nominal Cooling Capacity (kW)	15.1
Nominal Heating Capacity (kW)	15.1
Range	J-IVS
Horse Power	6
Maximum Connectable Indoor Units	13
EER	3
COP (Nominal Heating)	4.3
Dimensions (H x W x D) (mm)	998 x 970 x 370
Weight (kg)	87
Airflow Rate (Cooling - Heating) High (m3/h)	4200 - 4200
Available Static Pressure (Pa)	-
Sound Pressure Level (Cooling - Heating) High (dB(A))	54 - 56
Sound Power Level (Cooling - Heating) High (dB(A))	70 - 70
Refrigerant Type (Global Warming Potential)	R410A (2,088)
Pipe Sizes (Liquid - Gas)	3/8" - 5/8"
Total Pipe Length (m)	80
Max Height Difference (OU: Upper / Lower) (m)	30 / 30
Refrigerant Charge (kg) (kg)	4.0
Refrigerant CO2eq-T	8.4
Unit Power Supply	1Ph-230V-50Hz
Cooling Mode Operating Range (°C)	-5 to 46
Heating Mode Operating Range (°C)	-20 to 21



#### Document Downloads

- [Cooling Capacity](#)
- [Dimensional Drawing](#)
- [Electrical Characteristics](#)
- [Heating Capacity](#)
- [Installation Manual](#)
- [Installation Space](#)
- [Noise Curve](#)
- [Product Image](#)
- [Refrigerant Circuit](#)

- [Spare Parts List All Pages](#)
- [Specifications](#)
- [Wiring Diagram](#)



Units: mm

\*Specifications and design are subject to change without notice for further improvement.  
 •Actual products' colors may be different from the colors shown in this printed material.

### AJY040LBLBH

Please visit our webstore for full product and technical documentation 

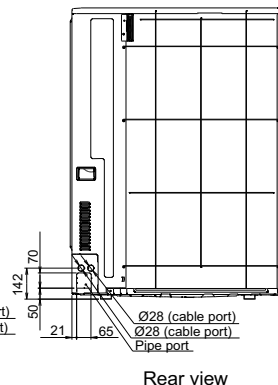
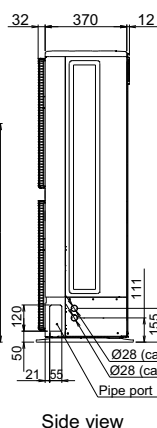
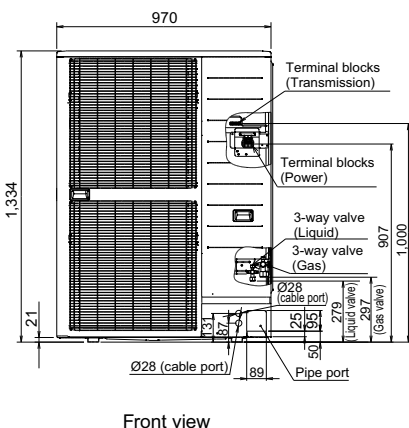
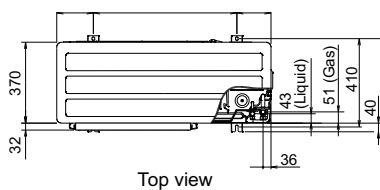
Nominal Cooling Capacity (kW)	12.1
Nominal Heating Capacity (kW)	12.1
Range	J-IV
Horse Power	4
Maximum Connectable Indoor Units	11
EER	4.17
COP (Nominal Heating)	5.06
Dimensions (H x W x D) (mm)	1334 x 970 x 370
Weight (kg)	117
Airflow Rate (Cooling - Heating) High (m3/h)	6200 - 6200
Available Static Pressure (Pa)	-
Sound Pressure Level (Cooling - Heating) High (dB(A))	50 - 52
Sound Power Level (Cooling - Heating) High (dB(A))	65 - 65
Refrigerant Type (Global Warming Potential)	R410A (2,088)
Pipe Sizes (Liquid - Gas)	3/8" - 5/8"
Total Pipe Length (m)	180
Max Height Difference (OU: Upper / Lower) (m)	50 / 40
Refrigerant Charge (kg)	4.8
Refrigerant CO2eq-T	10.0
Unit Power Supply	1Ph-230V-50Hz
Cooling Mode Operating Range (°C)	-5 to 46
Heating Mode Operating Range (°C)	-20 to 21



#### Document Downloads

- [Cooling Capacity](#)
- [Dimensional Drawing](#)
- [Electrical Characteristics](#)
- [Heating Capacity](#)
- [Installation Manual](#)
- [Installation Space](#)
- [Noise Curve](#)
- [Product Image](#)
- [Refrigerant Circuit](#)

- [Spare Parts List All Pages](#)
- [Specifications](#)
- [Wiring Diagram](#)



Units: mm

\*Specifications and design are subject to change without notice for further improvement.  
 •Actual products' colors may be different from the colors shown in this printed material.

### AJY040LELBH

Please visit our webstore for full product and technical documentation 

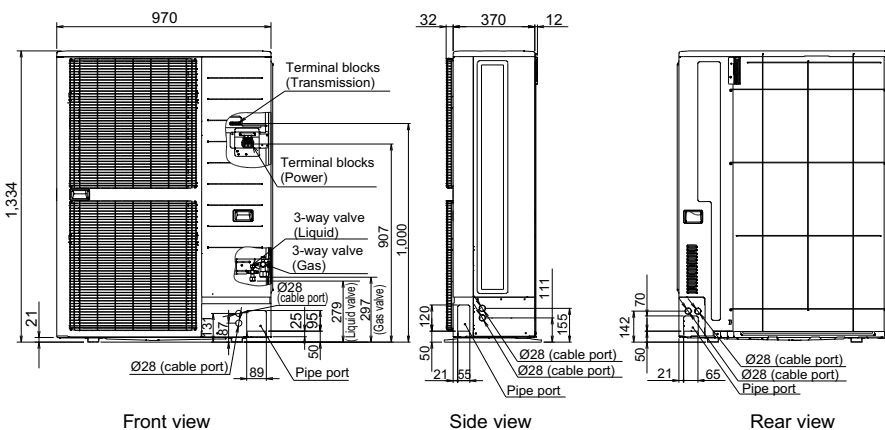
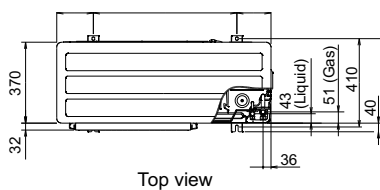
Nominal Cooling Capacity (kW)	12.1
Nominal Heating Capacity (kW)	12.1
Range	J-IV
Horse Power	4
Maximum Connectable Indoor Units	11
EER	4.33
COP (Nominal Heating)	5.21
Dimensions (H x W x D) (mm)	1334 x 970 x 370
Weight (kg)	118
Airflow Rate (Cooling - Heating) High (m <sup>3</sup> /h)	6200 - 6200
Available Static Pressure (Pa)	-
Sound Pressure Level (Cooling - Heating) High (dB(A))	50 - 52
Sound Power Level (Cooling - Heating) High (dB(A))	65 - 65
Refrigerant Type (Global Warming Potential)	R410A (2,088)
Pipe Sizes (Liquid - Gas)	3/8" - 5/8"
Total Pipe Length (m)	180
Max Height Difference (OU: Upper / Lower) (m)	50 / 40
Refrigerant Charge (kg)	4.8
Refrigerant CO <sub>2</sub> eq-T	10.0
Unit Power Supply	3Ph-400V-50Hz
Cooling Mode Operating Range (°C)	-5 to 46
Heating Mode Operating Range (°C)	-20 to 21



#### Document Downloads

- [Cooling Capacity](#)
- [Dimensional Drawing](#)
- [Electrical Characteristics](#)
- [Heating Capacity](#)
- [Installation Manual](#)
- [Installation Space](#)
- [Noise Curve](#)
- [Product Image](#)
- [Refrigerant Circuit](#)

- [Spare Parts List All Pages](#)
- [Specifications](#)
- [Wiring Diagram](#)



Units: mm

\*Specifications and design are subject to change without notice for further improvement.  
 •Actual products' colors may be different from the colors shown in this printed material.

### AJY045LBLBH

Please visit our webstore for full product and technical documentation 

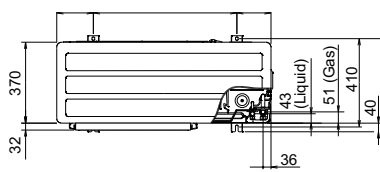
Nominal Cooling Capacity	(kW)	14.0
Nominal Heating Capacity	(kW)	14.0
Range		J-IV
Horse Power		5
Maximum Connectable Indoor Units		12
EER		3.92
COP (Nominal Heating)		4.71
Dimensions (H x W x D)	(mm)	1334 x 970 x 370
Weight	(kg)	117
Airflow Rate (Cooling - Heating) High	(m3/h)	6400 - 6400
Available Static Pressure	(Pa)	-
Sound Pressure Level (Cooling - Heating) High	(dB(A))	51 - 55
Sound Power Level (Cooling - Heating) High	(dB(A))	65 - 65
Refrigerant Type (Global Warming Potential)		R410A (2,088)
Pipe Sizes (Liquid - Gas)		3/8" - 5/8"
Total Pipe Length	(m)	180
Max Height Difference (OU: Upper / Lower)	(m)	50 / 40
Refrigerant Charge (kg)	(kg)	5.3
Refrigerant CO2eq-T		11.1
Unit Power Supply		1Ph-230V-50Hz
Cooling Mode Operating Range	(°C)	-5 to 46
Heating Mode Operating Range	(°C)	-20 to 21



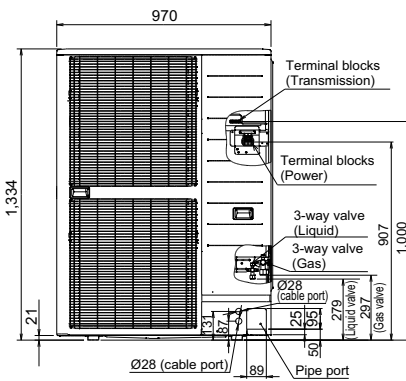
#### Document Downloads

- [Cooling Capacity](#)
- [Dimensional Drawing](#)
- [Electrical Characteristics](#)
- [Heating Capacity](#)
- [Installation Manual](#)
- [Installation Space](#)
- [Noise Curve](#)
- [Product Image](#)
- [Refrigerant Circuit](#)

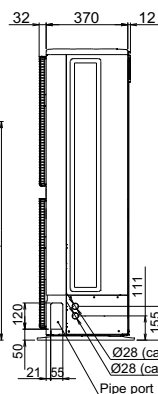
- [Spare Parts List All Pages](#)
- [Specifications](#)
- [Wiring Diagram](#)



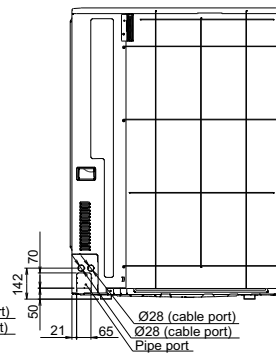
Top view



Front view



Side view



Rear view

Units: mm

\*Specifications and design are subject to change without notice for further improvement.  
 •Actual products' colors may be different from the colors shown in this printed material.

### AJY045LELBH

Please visit our webstore for full product and technical documentation 

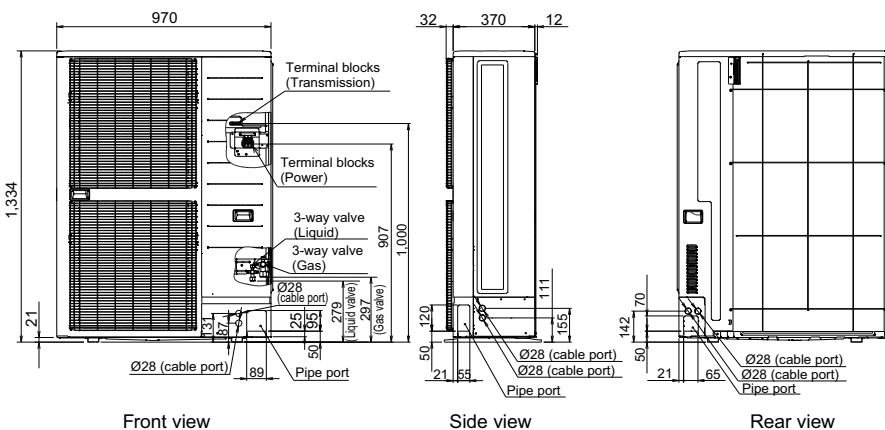
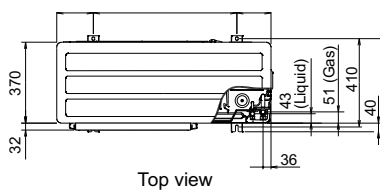
Nominal Cooling Capacity (kW)	14.0
Nominal Heating Capacity (kW)	14.0
Range	J-IV
Horse Power	5
Maximum Connectable Indoor Units	12
EER	4.05
COP (Nominal Heating)	4.9
Dimensions (H x W x D) (mm)	1334 x 970 x 370
Weight (kg)	119
Airflow Rate (Cooling - Heating) High (m3/h)	6400 - 6400
Available Static Pressure (Pa)	-
Sound Pressure Level (Cooling - Heating) High (dB(A))	51 - 55
Sound Power Level (Cooling - Heating) High (dB(A))	65 - 65
Refrigerant Type (Global Warming Potential)	R410A (2,088)
Pipe Sizes (Liquid - Gas)	3/8" - 5/8"
Total Pipe Length (m)	180
Max Height Difference (OU: Upper / Lower) (m)	50 / 40
Refrigerant Charge (kg)	5.3
Refrigerant CO2eq-T	11.1
Unit Power Supply	3Ph-400V-50Hz
Cooling Mode Operating Range (°C)	-5 to 46
Heating Mode Operating Range (°C)	-20 to 21



#### Document Downloads

- [Cooling Capacity](#)
- [Dimensional Drawing](#)
- [Electrical Characteristics](#)
- [Heating Capacity](#)
- [Installation Manual](#)
- [Installation Space](#)
- [Noise Curve](#)
- [Product Image](#)
- [Refrigerant Circuit](#)

- [Spare Parts List All Pages](#)
- [Specifications](#)
- [Wiring Diagram](#)



Units: mm

\*Specifications and design are subject to change without notice for further improvement.  
 •Actual products' colors may be different from the colors shown in this printed material.

### AJY054LBLBH

Please visit our webstore for full product and technical documentation 

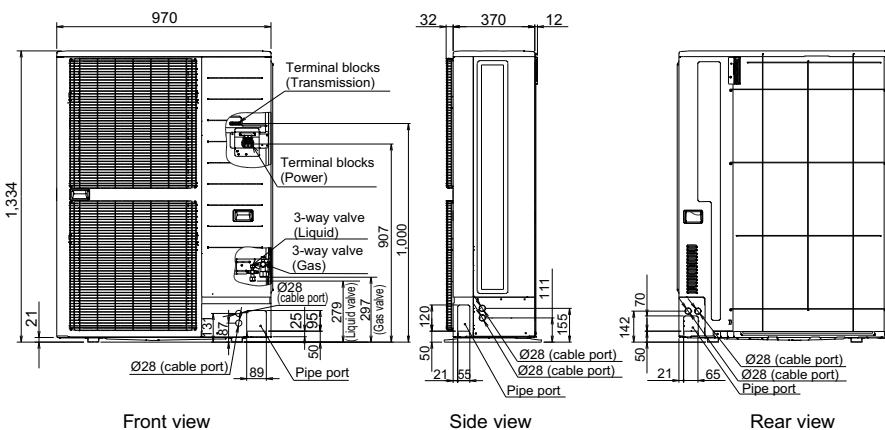
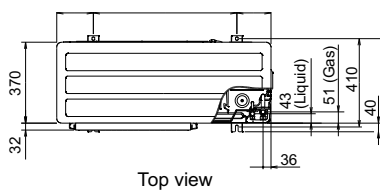
Nominal Cooling Capacity (kW)	15.5
Nominal Heating Capacity (kW)	15.5
Range	J-IV
Horse Power	6
Maximum Connectable Indoor Units	14
EER	3.71
COP (Nominal Heating)	4.43
Dimensions (H x W x D) (mm)	1334 x 970 x 370
Weight (kg)	119
Airflow Rate (Cooling - Heating) High (m3/h)	6900 - 6900
Available Static Pressure (Pa)	-
Sound Pressure Level (Cooling - Heating) High (dB(A))	53 - 56
Sound Power Level (Cooling - Heating) High (dB(A))	66 - 66
Refrigerant Type (Global Warming Potential)	R410A (2,088)
Pipe Sizes (Liquid - Gas)	3/8" - 3/4"
Total Pipe Length (m)	180
Max Height Difference (OU: Upper / Lower) (m)	50 / 40
Refrigerant Charge (kg)	5.3
Refrigerant CO2eq-T	11.1
Unit Power Supply	1Ph-230V-50Hz
Cooling Mode Operating Range (°C)	-5 to 46
Heating Mode Operating Range (°C)	-20 to 21



#### Document Downloads

- [Cooling Capacity](#)
- [Dimensional Drawing](#)
- [Electrical Characteristics](#)
- [Heating Capacity](#)
- [Installation Manual](#)
- [Installation Space](#)
- [Noise Curve](#)
- [Product Image](#)
- [Refrigerant Circuit](#)

- [Spare Parts List All Pages](#)
- [Specifications](#)
- [Wiring Diagram](#)



Units: mm

\*Specifications and design are subject to change without notice for further improvement.  
 •Actual products' colors may be different from the colors shown in this printed material.

### AJY054LELBH

Please visit our webstore for full product and technical documentation 

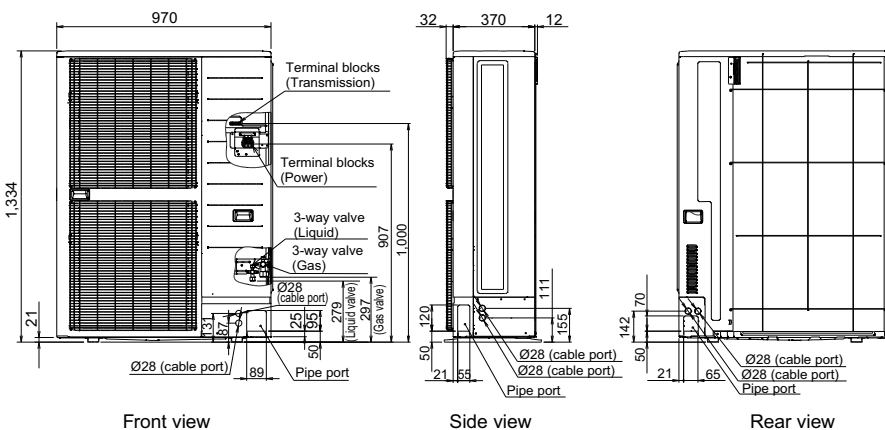
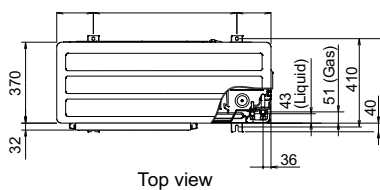
Nominal Cooling Capacity (kW)	15.5
Nominal Heating Capacity (kW)	15.5
Range	J-IV
Horse Power	6
Maximum Connectable Indoor Units	14
EER	3.88
COP (Nominal Heating)	4.61
Dimensions (H x W x D) (mm)	1334 x 970 x 370
Weight (kg)	119
Airflow Rate (Cooling - Heating) High (m <sup>3</sup> /h)	6900 - 6900
Available Static Pressure (Pa)	-
Sound Pressure Level (Cooling - Heating) High (dB(A))	53 - 56
Sound Power Level (Cooling - Heating) High (dB(A))	66 - 66
Refrigerant Type (Global Warming Potential)	R410A (2,088)
Pipe Sizes (Liquid - Gas)	3/8" - 3/4"
Total Pipe Length (m)	180
Max Height Difference (OU: Upper / Lower) (m)	50 / 40
Refrigerant Charge (kg)	5.3
Refrigerant CO <sub>2</sub> eq-T	11.1
Unit Power Supply	3Ph-400V-50Hz
Cooling Mode Operating Range (°C)	-5 to 46
Heating Mode Operating Range (°C)	-20 to 21



#### Document Downloads

- [Cooling Capacity](#)
- [Dimensional Drawing](#)
- [Electrical Characteristics](#)
- [Heating Capacity](#)
- [Installation Manual](#)
- [Installation Space](#)
- [Noise Curve](#)
- [Product Image](#)
- [Refrigerant Circuit](#)

- [Spare Parts List All Pages](#)
- [Specifications](#)
- [Wiring Diagram](#)

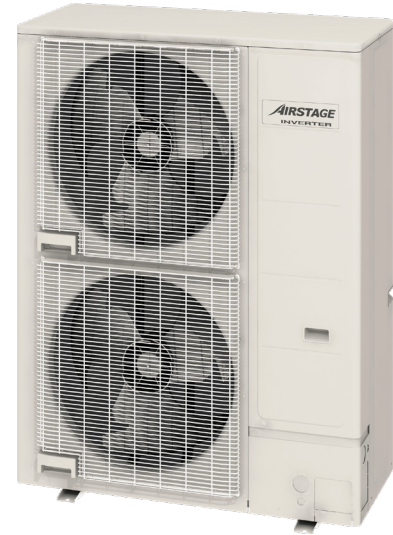


Units: mm

\*Specifications and design are subject to change without notice for further improvement.  
 •Actual products' colors may be different from the colors shown in this printed material.

# AJY072LELBH

Please visit our webstore for full product and technical documentation 

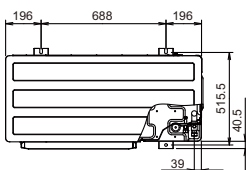


Nominal Cooling Capacity (kW)	22.4
Nominal Heating Capacity (kW)	22.4
Range	J-IVL
Horse Power	8
Maximum Connectable Indoor Units	20
EER	3.56
COP (Nominal Heating)	4.82
Dimensions (H x W x D) (mm)	1428 x 1080 x 480
Weight (kg)	170
Airflow Rate (Cooling - Heating) High (m3/h)	8400 - 8400
Available Static Pressure (Pa)	-
Sound Pressure Level (Cooling - Heating) High (dB(A))	52 - 54
Sound Power Level (Cooling - Heating) High (dB(A))	66 -
Refrigerant Type (Global Warming Potential)	R410A (2,088)
Pipe Sizes (Liquid - Gas)	3/8" - 3/4"
Total Pipe Length (m)	400
Max Height Difference (OU: Upper / Lower) (m)	50 / 40
Refrigerant Charge (kg) (kg)	7.0
Refrigerant CO2eq-T	14.6
Unit Power Supply	3Ph-400V-50Hz
Cooling Mode Operating Range (°C)	-15 to 46
Heating Mode Operating Range (°C)	-20 to 21

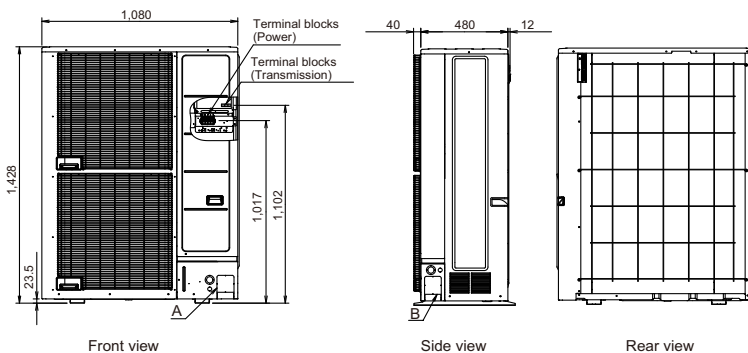
### Document Downloads

- [Cooling Capacity](#)
- [Dimensional Drawing](#)
- [Electrical Characteristics](#)
- [Heating Capacity](#)
- [Installation Manual](#)
- [Installation Space](#)
- [Noise Curve](#)
- [Product Image](#)
- [Refrigerant Circuit](#)

- [Spare Parts List All Pages](#)
- [Specifications](#)
- [Wiring Diagram](#)



Top view



Front view

Side view

Rear view

Units: mm

\*Specifications and design are subject to change without notice for further improvement.  
 •Actual products' colors may be different from the colors shown in this printed material.



### AJY090LELBH

Please visit our webstore for full product and technical documentation 

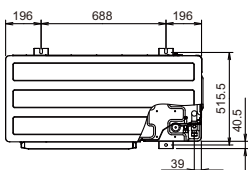
Nominal Cooling Capacity (kW)	28.0
Nominal Heating Capacity (kW)	28.0
Range	J-IVL
Horse Power	10
Maximum Connectable Indoor Units	25
EER	3.26
COP (Nominal Heating)	4.24
Dimensions (H x W x D) (mm)	1428 x 1080 x 480
Weight (kg)	177
Airflow Rate (Cooling - Heating) High (m3/h)	9000 - 9000
Available Static Pressure (Pa)	-
Sound Pressure Level (Cooling - Heating) High (dB(A))	54 - 57
Sound Power Level (Cooling - Heating) High (dB(A))	69 -
Refrigerant Type (Global Warming Potential)	R410A (2,088)
Pipe Sizes (Liquid - Gas)	3/8" - 7/8"
Total Pipe Length (m)	400
Max Height Difference (OU: Upper / Lower) (m)	50 / 40
Refrigerant Charge (kg)	7.5
Refrigerant CO2eq-T	15.7
Unit Power Supply	3Ph-400V-50Hz
Cooling Mode Operating Range (°C)	-15 to 46
Heating Mode Operating Range (°C)	-20 to 21



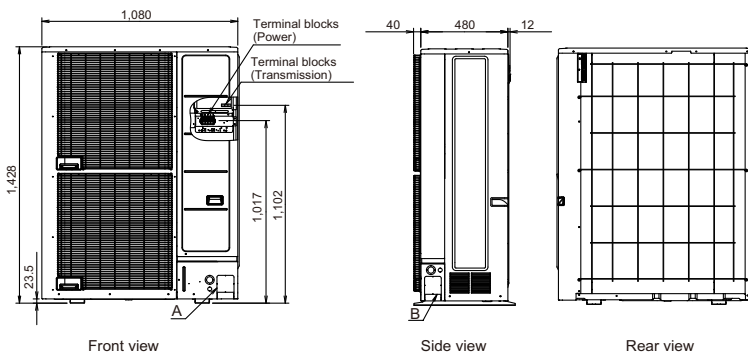
#### Document Downloads

- [Cooling Capacity](#)
- [Dimensional Drawing](#)
- [Electrical Characteristics](#)
- [Heating Capacity](#)
- [Installation Manual](#)
- [Installation Space](#)
- [Noise Curve](#)
- [Product Image](#)
- [Refrigerant Circuit](#)

- [Spare Parts List All Pages](#)
- [Specifications](#)
- [Wiring Diagram](#)



Top view



Front view

Side view

Rear view

Units: mm

\*Specifications and design are subject to change without notice for further improvement.  
 •Actual products' colors may be different from the colors shown in this printed material.

### AJY108LELBH

Please visit our webstore for full product and technical documentation 

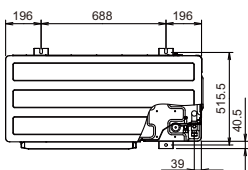
Nominal Cooling Capacity (kW)	33.5
Nominal Heating Capacity (kW)	33.5
Range	J-IVL
Horse Power	12
Maximum Connectable Indoor Units	30
EER	3.22
COP (Nominal Heating)	4.1
Dimensions (H x W x D) (mm)	1428 x 1080 x 480
Weight (kg)	178
Airflow Rate (Cooling - Heating) High (m3/h)	11000 - 12100
Available Static Pressure (Pa)	-
Sound Pressure Level (Cooling - Heating) High (dB(A))	59 - 62
Sound Power Level (Cooling - Heating) High (dB(A))	73 -
Refrigerant Type (Global Warming Potential)	R410A (2,088)
Pipe Sizes (Liquid - Gas)	1/2" - 1 1/8"
Total Pipe Length (m)	400
Max Height Difference (OU: Upper / Lower) (m)	50 / 40
Refrigerant Charge (kg)	7.5
Refrigerant CO2eq-T	15.7
Unit Power Supply	3Ph-400V-50Hz
Cooling Mode Operating Range (°C)	-15 to 46
Heating Mode Operating Range (°C)	-20 to 21



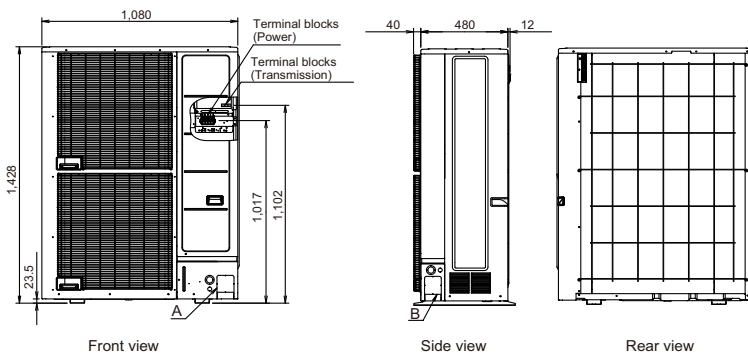
#### Document Downloads

- [Cooling Capacity](#)
- [Dimensional Drawing](#)
- [Electrical Characteristics](#)
- [Heating Capacity](#)
- [Installation Manual](#)
- [Installation Space](#)
- [Noise Curve](#)
- [Product Image](#)
- [Refrigerant Circuit](#)

- [Spare Parts List All Pages](#)
- [Specifications](#)
- [Wiring Diagram](#)



Top view



Front view

Side view

Rear view

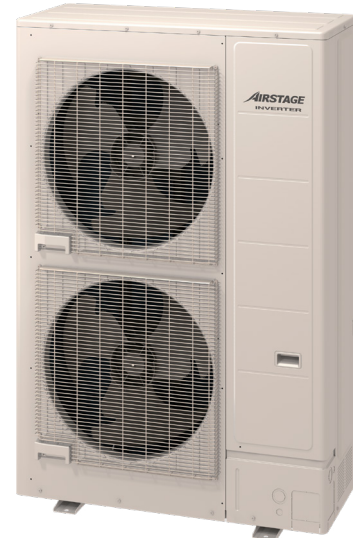
Units: mm

\*Specifications and design are subject to change without notice for further improvement.  
 •Actual products' colors may be different from the colors shown in this printed material.

# AJY126LELBH

Please visit our webstore for full product and technical documentation 

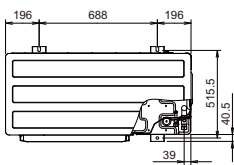
Nominal Cooling Capacity (kW)	40.0
Nominal Heating Capacity (kW)	40.0
Range	J-IVL
Horse Power	14
Maximum Connectable Indoor Units	36
EER	3.3
COP (Nominal Heating)	4.12
Dimensions (H x W x D) (mm)	1638 x 1080 x 480
Weight (kg)	213
Airflow Rate (Cooling - Heating) High (m <sup>3</sup> /h)	13000 - 13000
Available Static Pressure (Pa)	-
Sound Pressure Level (Cooling - Heating) High (dB(A))	62 - 63
Sound Power Level (Cooling - Heating) High (dB(A))	75 -
Refrigerant Type (Global Warming Potential)	R410A (2,088)
Pipe Sizes (Liquid - Gas)	1/2" - 1 1/8"
Total Pipe Length (m)	400
Max Height Difference (OU: Upper / Lower) (m)	50 / 40
Refrigerant Charge (kg) (kg)	11.0
Refrigerant CO <sub>2</sub> eq-T	22.9
Unit Power Supply	3Ph-400V-50Hz
Cooling Mode Operating Range (°C)	-5 to 46
Heating Mode Operating Range (°C)	-20 to 21



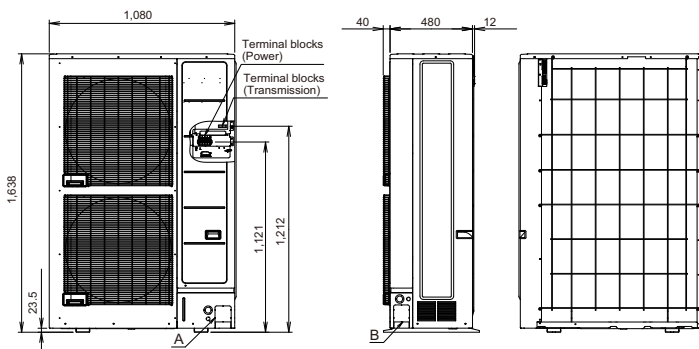
### Document Downloads

- [Cooling Capacity](#)
- [Dimensional Drawing](#)
- [Electrical Characteristics](#)
- [Heating Capacity](#)
- [Installation Manual](#)
- [Installation Space](#)
- [Noise Curve](#)
- [Product Image](#)
- [Refrigerant Circuit](#)

- [Spare Parts List All Pages](#)
- [Specifications](#)
- [Wiring Diagram](#)



Top view



Front view

Side view

Rear view

Units: mm

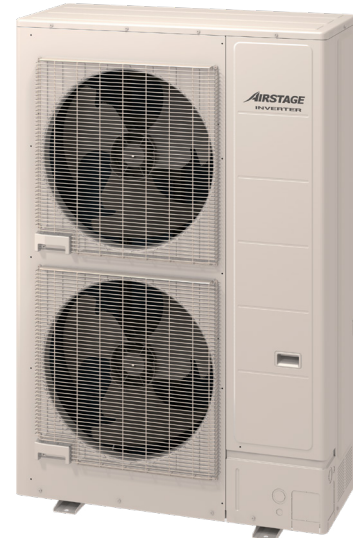
\*Specifications and design are subject to change without notice for further improvement.

\*Actual products' colors may be different from the colors shown in this printed material.

# AJY144LELBH

Please visit our webstore for full product and technical documentation 

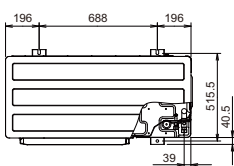
Nominal Cooling Capacity (kW)	45.0
Nominal Heating Capacity (kW)	45.0
Range	J-IVL
Horse Power	16
Maximum Connectable Indoor Units	40
EER	3.01
COP (Nominal Heating)	3.81
Dimensions (H x W x D) (mm)	1638 x 1080 x 480
Weight (kg)	213
Airflow Rate (Cooling - Heating) High (m <sup>3</sup> /h)	14000 - 14000
Available Static Pressure (Pa)	-
Sound Pressure Level (Cooling - Heating) High (dB(A))	64 - 65
Sound Power Level (Cooling - Heating) High (dB(A))	77 -
Refrigerant Type (Global Warming Potential)	R410A (2,088)
Pipe Sizes (Liquid - Gas)	1/2" - 1 1/8"
Total Pipe Length (m)	400
Max Height Difference (OU: Upper / Lower) (m)	50 / 40
Refrigerant Charge (kg) (kg)	11.0
Refrigerant CO <sub>2</sub> eq-T	22.9
Unit Power Supply	3Ph-400V-50Hz
Cooling Mode Operating Range (°C)	-5 to 46
Heating Mode Operating Range (°C)	-20 to 21



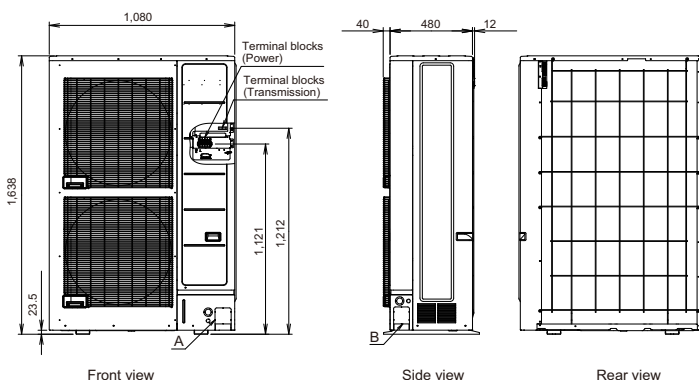
### Document Downloads

- [Cooling Capacity](#)
- [Dimensional Drawing](#)
- [Electrical Characteristics](#)
- [Heating Capacity](#)
- [Installation Manual](#)
- [Installation Space](#)
- [Noise Curve](#)
- [Product Image](#)
- [Refrigerant Circuit](#)

- [Spare Parts List All Pages](#)
- [Specifications](#)
- [Wiring Diagram](#)



Top view



Front view

Side view

Rear view

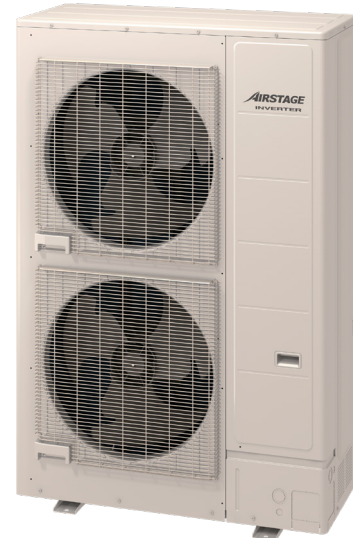
Units: mm

\*Specifications and design are subject to change without notice for further improvement.  
 •Actual products' colors may be different from the colors shown in this printed material.

# AJY162LELBH

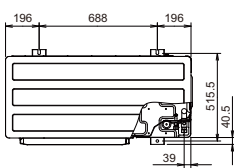
Please visit our webstore for full product and technical documentation 

Nominal Cooling Capacity (kW)	50.0
Nominal Heating Capacity (kW)	50.0
Range	J-IVL
Horse Power	18
Maximum Connectable Indoor Units	42
EER	2.7
COP (Nominal Heating)	3.66
Dimensions (H x W x D) (mm)	1638 x 1080 x 480
Weight (kg)	217
Airflow Rate (Cooling - Heating) High (m <sup>3</sup> /h)	14800 - 15300
Available Static Pressure (Pa)	-
Sound Pressure Level (Cooling - Heating) High (dB(A))	65 - 68
Sound Power Level (Cooling - Heating) High (dB(A))	79 -
Refrigerant Type (Global Warming Potential)	R410A (2,088)
Pipe Sizes (Liquid - Gas)	1/2" - 1 1/8"
Total Pipe Length (m)	400
Max Height Difference (OU: Upper / Lower) (m)	50 / 40
Refrigerant Charge (kg)	11.8
Refrigerant CO <sub>2</sub> eq-T	24.6
Unit Power Supply	3Ph-400V-50Hz
Cooling Mode Operating Range (°C)	-5 to 46
Heating Mode Operating Range (°C)	-20 to 21

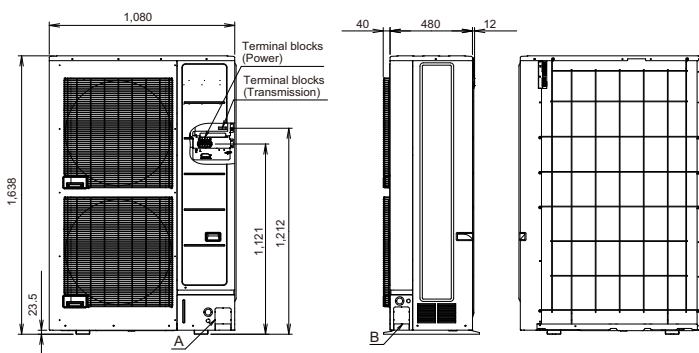


### Document Downloads

- [Cooling Capacity](#)
- [Dimensional Drawing](#)
- [Electrical Characteristics](#)
- [Heating Capacity](#)
- [Installation Manual](#)
- [Installation Space](#)
- [Noise Curve](#)
- [Product Image](#)
- [Refrigerant Circuit](#)
- [Spare Parts List All Pages](#)
- [Specifications](#)
- [Wiring Diagram](#)



Top view



Front view

Side view

Rear view

Units: mm

\*Specifications and design are subject to change without notice for further improvement.

\*Actual products' colors may be different from the colors shown in this printed material.

### AJY072LALBH

Please visit our webstore for full product and technical documentation 

Nominal Cooling Capacity (kW)	22.4
Nominal Heating Capacity (kW)	22.4
Range	V-III
Horse Power	8
Maximum Connectable Indoor Units	17
EER	4.31
COP (Nominal Heating)	5.2
Dimensions (H x W x D) (mm)	1690 x 930 x 765
Weight (kg)	252
Airflow Rate (Cooling - Heating) High (m3/h)	11100 - 11100
Available Static Pressure (Pa)	Max 82
Sound Pressure Level (Cooling - Heating) High (dB(A))	56 - 58
Sound Power Level (Cooling - Heating) High (dB(A))	77 - 80
Refrigerant Type (Global Warming Potential)	R410A (2,088)
Pipe Sizes (Liquid - Gas)	1/2" - 7/8"
Refrigerant Charge (kg)	11.7
Refrigerant CO2eq-T	24.4
Unit Power Supply	3Ph-400V-50Hz
Cooling Mode Operating Range (°C)	-15 to 46
Heating Mode Operating Range (°C)	-20 to 21

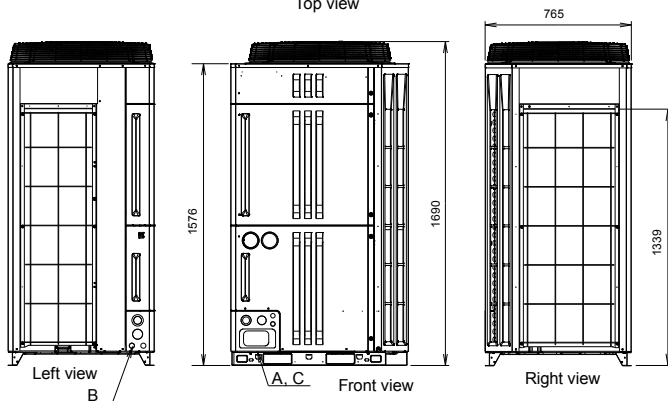
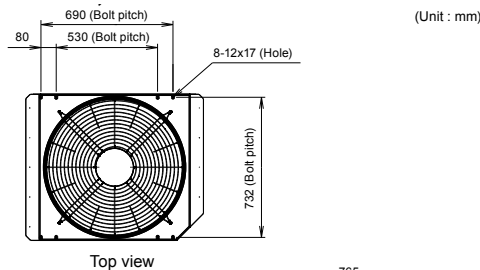


#### Document Downloads

- [Cooling Capacity](#)
- [Dimensional Drawing](#)
- [Electrical Characteristics](#)
- [Heating Capacity](#)
- [Installation Manual](#)
- [Installation Space](#)
- [Noise Curve](#)
- [Product Image](#)
- [Refrigerant Circuit](#)
- [Spare Parts List All Pages](#)
- [Specifications](#)
- [Wiring Diagram](#)

#### Related Items

- [UTPCX567A](#) Outdoor Unit Branch Kit (2 Pipe)



Units: mm

\*Specifications and design are subject to change without notice for further improvement.

\*Actual products' colors may be different from the colors shown in this printed material.

### AJY090LALBH

Please visit our webstore for full product and technical documentation 

Nominal Cooling Capacity (kW)	28.0
Nominal Heating Capacity (kW)	28.0
Range	V-III
Horse Power	10
Maximum Connectable Indoor Units	21
EER	3.85
COP (Nominal Heating)	4.69
Dimensions (H x W x D) (mm)	1690 x 930 x 765
Weight (kg)	252
Airflow Rate (Cooling - Heating) High (m3/h)	11100 - 11100
Available Static Pressure (Pa)	Max 82
Sound Pressure Level (Cooling - Heating) High (dB(A))	58 - 59
Sound Power Level (Cooling - Heating) High (dB(A))	79 - 81
Refrigerant Type (Global Warming Potential)	R410A (2,088)
Pipe Sizes (Liquid - Gas)	1/2" - 7/8"
Refrigerant Charge (kg)	11.7
Refrigerant CO2eq-T	24.4
Unit Power Supply	3Ph-400V-50Hz
Cooling Mode Operating Range (°C)	-15 to 46
Heating Mode Operating Range (°C)	-20 to 21

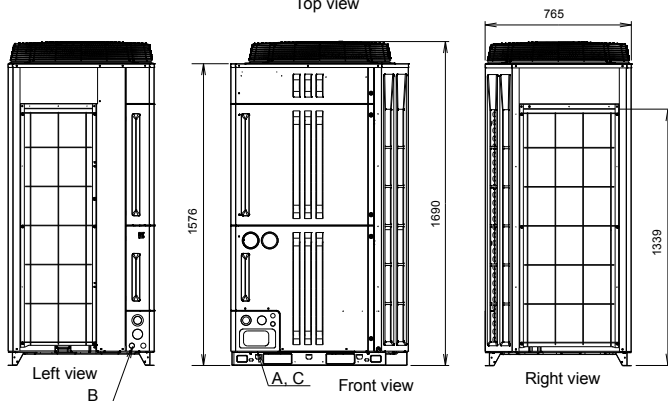
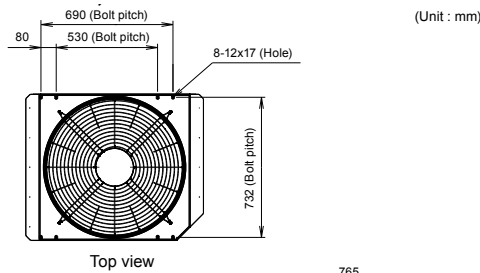


#### Document Downloads

- [Cooling Capacity](#)
- [Dimensional Drawing](#)
- [Electrical Characteristics](#)
- [Heating Capacity](#)
- [Installation Manual](#)
- [Installation Space](#)
- [Noise Curve](#)
- [Product Image](#)
- [Refrigerant Circuit](#)
- [Spare Parts List All Pages](#)
- [Specifications](#)
- [Wiring Diagram](#)

#### Related Items

- [UTPCX567A](#) Outdoor Unit Branch Kit (2 Pipe)



Units: mm

\*Specifications and design are subject to change without notice for further improvement.  
 •Actual products' colors may be different from the colors shown in this printed material.

### AJY108LALBH

Please visit our webstore for full product and technical documentation 

Nominal Cooling Capacity (kW)	33.5
Nominal Heating Capacity (kW)	33.5
Range	V-III
Horse Power	12
Maximum Connectable Indoor Units	26
EER	3.74
COP (Nominal Heating)	4.72
Dimensions (H x W x D) (mm)	1690 x 1240 x 765
Weight (kg)	275
Airflow Rate (Cooling - Heating) High (m3/h)	13000 - 13000
Available Static Pressure (Pa)	Max 82
Sound Pressure Level (Cooling - Heating) High (dB(A))	57 - 60
Sound Power Level (Cooling - Heating) High (dB(A))	78 - 83
Refrigerant Type (Global Warming Potential)	R410A (2,088)
Pipe Sizes (Liquid - Gas)	1/2" - 1 1/8"
Refrigerant Charge (kg)	11.8
Refrigerant CO2eq-T	24.6
Unit Power Supply	3Ph-400V-50Hz
Cooling Mode Operating Range (°C)	-15 to 46
Heating Mode Operating Range (°C)	-20 to 21



#### Document Downloads

- [Cooling Capacity](#)
- [Dimensional Drawing](#)
- [Electrical Characteristics](#)
- [Heating Capacity](#)
- [Installation Manual](#)
- [Installation Space](#)
- [Noise Curve](#)
- [Product Image](#)
- [Refrigerant Circuit](#)
- [Spare Parts List All Pages](#)
- [Specifications](#)
- [Wiring Diagram](#)

#### Related Items

- [UTPCX567A](#) Outdoor Unit Branch Kit (2 Pipe)



Units: mm

\*Specifications and design are subject to change without notice for further improvement.  
 •Actual products' colors may be different from the colors shown in this printed material.



### AJY126LALBH

Please visit our webstore for full product and technical documentation 

Nominal Cooling Capacity (kW)	40.0
Nominal Heating Capacity (kW)	40.0
Range	V-III
Horse Power	14
Maximum Connectable Indoor Units	30
EER	3.65
COP (Nominal Heating)	4.46
Dimensions (H x W x D) (mm)	1690 x 1240 x 765
Weight (kg)	275
Airflow Rate (Cooling - Heating) High (m3/h)	13000 - 13000
Available Static Pressure (Pa)	Max 82
Sound Pressure Level (Cooling - Heating) High (dB(A))	60 - 62
Sound Power Level (Cooling - Heating) High (dB(A))	81 - 84
Refrigerant Type (Global Warming Potential)	R410A (2,088)
Pipe Sizes (Liquid - Gas)	1/2" - 1 1/8"
Refrigerant Charge (kg)	11.8
Refrigerant CO2eq-T	24.6
Unit Power Supply	3Ph-400V-50Hz
Cooling Mode Operating Range (°C)	-15 to 46
Heating Mode Operating Range (°C)	-20 to 21

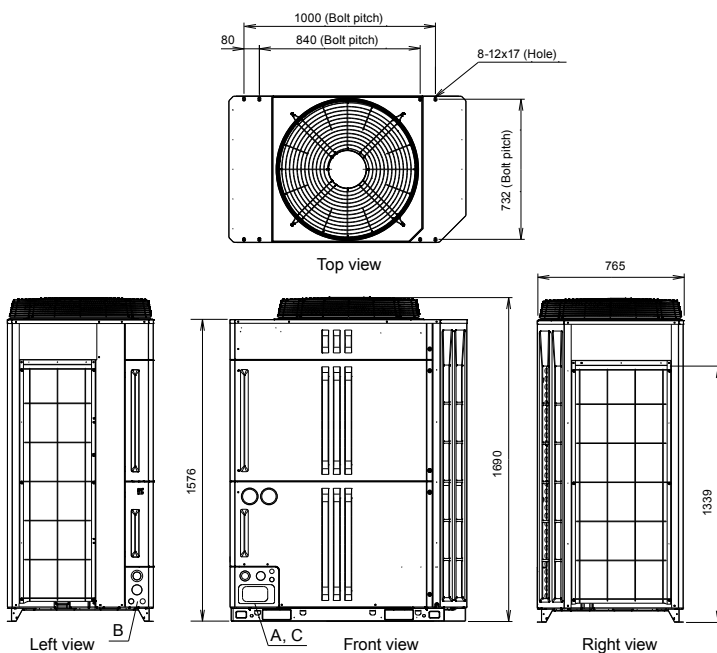


#### Document Downloads

- [Cooling Capacity](#)
- [Dimensional Drawing](#)
- [Electrical Characteristics](#)
- [Heating Capacity](#)
- [Installation Manual](#)
- [Installation Space](#)
- [Noise Curve](#)
- [Product Image](#)
- [Refrigerant Circuit](#)
- [Spare Parts List All Pages](#)
- [Specifications](#)
- [Wiring Diagram](#)

#### Related Items

- [UTPCX567A](#) Outdoor Unit Branch Kit (2 Pipe)



Units: mm

\*Specifications and design are subject to change without notice for further improvement.  
 •Actual products' colors may be different from the colors shown in this printed material.

### AJY144LALBH

Please visit our webstore for full product and technical documentation 

Nominal Cooling Capacity (kW)	45.0
Nominal Heating Capacity (kW)	45.0
Range	VR-IV
Horse Power	16
Maximum Connectable Indoor Units	34
EER	3.46
COP (Nominal Heating)	4.06
Dimensions (H x W x D) (mm)	1690 x 1240 x 765
Weight (kg)	275
Airflow Rate (Cooling - Heating) High (m3/h)	13700 - 13700
Available Static Pressure (Pa)	Max 82
Sound Pressure Level (Cooling - Heating) High (dB(A))	62 - 64
Sound Power Level (Cooling - Heating) High (dB(A))	83 - 86
Refrigerant Type (Global Warming Potential)	R410A (2,088)
Pipe Sizes (Liquid - Gas)	1/2" - 1 1/8"
Refrigerant Charge (kg)	11.8
Refrigerant CO2eq-T	24.6
Unit Power Supply	3Ph-400V-50Hz
Cooling Mode Operating Range (°C)	-15 to 46
Heating Mode Operating Range (°C)	-20 to 21

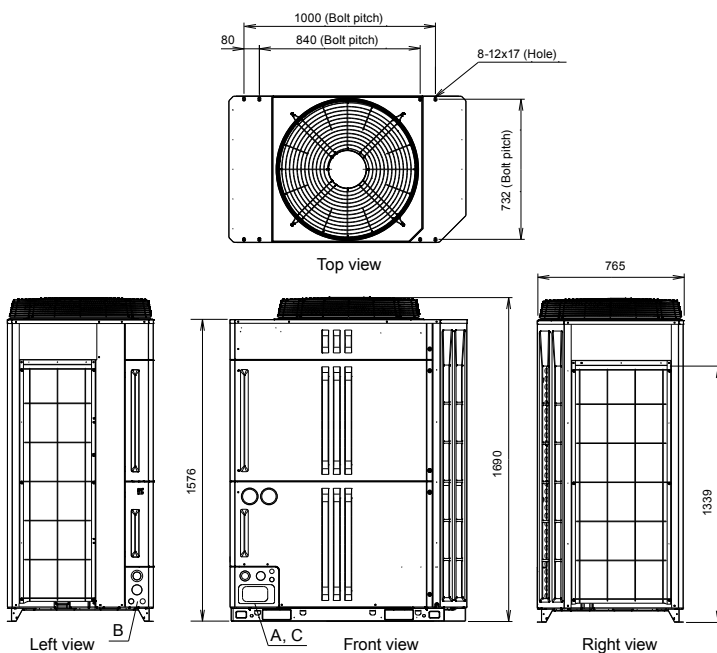


#### Document Downloads

- [Cooling Capacity](#)
- [Dimensional Drawing](#)
- [Electrical Characteristics](#)
- [Heating Capacity](#)
- [Installation Manual](#)
- [Installation Space](#)
- [Noise Curve](#)
- [Product Image](#)
- [Refrigerant Circuit](#)
- [Spare Parts List All Pages](#)
- [Specifications](#)
- [Wiring Diagram](#)

#### Related Items

- [UTPCX567A](#) Outdoor Unit Branch Kit (2 Pipe)



Units: mm

\*Specifications and design are subject to change without notice for further improvement.  
 •Actual products' colors may be different from the colors shown in this printed material.

### AJY162LALBH

Please visit our webstore for full product and technical documentation 

Nominal Cooling Capacity (kW)	50.0
Nominal Heating Capacity (kW)	50.0
Range	V-III
Horse Power	18
Maximum Connectable Indoor Units	39
EER	3.02
COP (Nominal Heating)	3.67
Dimensions (H x W x D) (mm)	1690 x 1240 x 765
Weight (kg)	275
Airflow Rate (Cooling - Heating) High (m3/h)	13700 - 13700
Available Static Pressure (Pa)	Max 82
Sound Pressure Level (Cooling - Heating) High (dB(A))	63 - 64
Sound Power Level (Cooling - Heating) High (dB(A))	84 - 86
Refrigerant Type (Global Warming Potential)	R410A (2,088)
Pipe Sizes (Liquid - Gas)	1/2" - 1 1/8"
Refrigerant Charge (kg)	11.8
Refrigerant CO2eq-T	24.6
Unit Power Supply	3Ph-400V-50Hz
Cooling Mode Operating Range (°C)	-15 to 46
Heating Mode Operating Range (°C)	-20 to 21

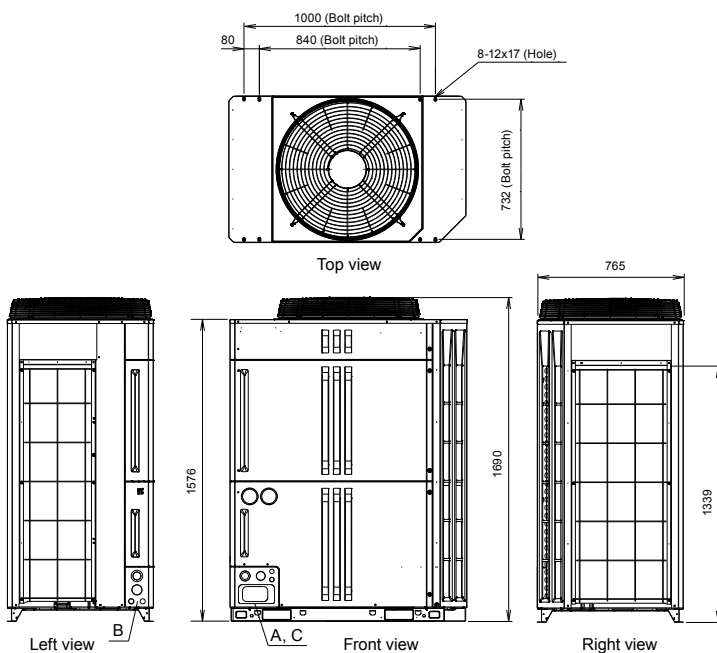


#### Document Downloads

- [Cooling Capacity](#)
- [Dimensional Drawing](#)
- [Electrical Characteristics](#)
- [Heating Capacity](#)
- [Installation Manual](#)
- [Installation Space](#)
- [Noise Curve](#)
- [Product Image](#)
- [Refrigerant Circuit](#)
- [Spare Parts List All Pages](#)
- [Specifications](#)
- [Wiring Diagram](#)

#### Related Items

- [UTPCX567A](#) Outdoor Unit Branch Kit (2 Pipe)



Units: mm

\*Specifications and design are subject to change without notice for further improvement.  
 •Actual products' colors may be different from the colors shown in this printed material.

### AJY072GALBH

Please visit our webstore for full product and technical documentation 

Nominal Cooling Capacity (kW)	22.4
Nominal Heating Capacity (kW)	22.4
Range	VR-IV
Horse Power	8
Maximum Connectable Indoor Units	17
EER	4.11
COP (Nominal Heating)	4.74
Dimensions (H x W x D) (mm)	1690 x 930 x 765
Weight (kg)	262
Airflow Rate (Cooling - Heating) High (m3/h)	11100 - 11100
Available Static Pressure (Pa)	Max 80
Sound Pressure Level (Cooling - Heating) High (dB(A))	56 - 58
Sound Power Level (Cooling - Heating) High (dB(A))	75 - 76
Refrigerant Type (Global Warming Potential)	R410A (2,088)
Refrigerant Charge (kg)	11.8
Refrigerant CO2eq-T	24.6
Unit Power Supply	3Ph-400V-50Hz
Cooling Mode Operating Range (°C)	-15 to 46
Heating Mode Operating Range (°C)	-20 to 21



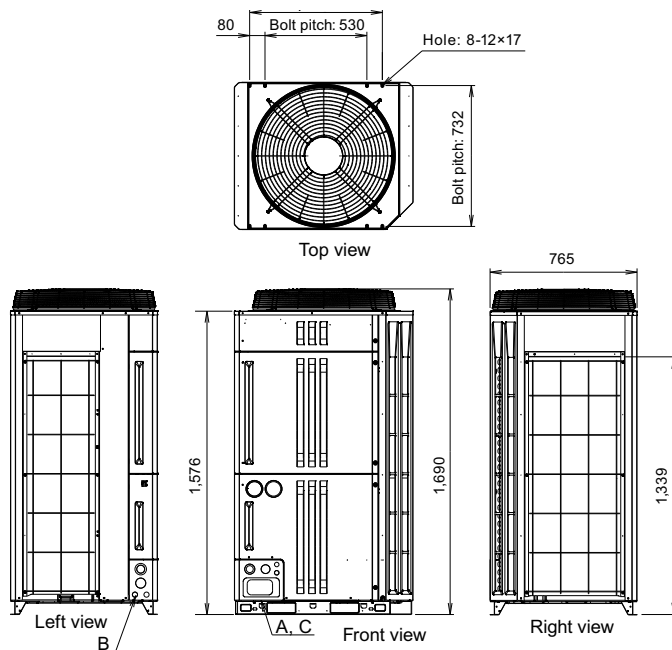
#### Document Downloads

- [Cooling Capacity](#)
- [Dimensional Drawing](#)
- [Electrical Characteristics](#)
- [Heating Capacity](#)
- [Installation Manual](#)
- [Installation Space](#)
- [Noise Curve](#)
- [Product Image](#)
- [Refrigerant Circuit](#)

- [Spare Parts List All Pages](#)
- [Specifications](#)
- [Wiring Diagram](#)

#### Related Items

- [UTPDX567A](#) Outdoor Unit Branch Kit (3 Pipe)
- [UTPRX01AH](#) RB Unit - A Max 3 IUs, Capacity less than 8.0kW
- [UTPRX01BH](#) RB Unit - B Max 8 IUs, Capacity less than 18.0kW
- [UTPRX01CH](#) RB Unit - C Max 8 IUs, Capacity less than 28.0kW
- [UTPRX04BH](#) 4 Branch RB Unit Max Connectable Capacity < 56.1kW
- [UTPRX08AH](#) 8 Branch RB Unit Max Connectable Capacity < 72.0kW
- [UTPRX12AH](#) 12 Branch RB Unit Max Connectable Capacity < 95kW



Units: mm

\*Specifications and design are subject to change without notice for further improvement.  
 \*Actual products' colors may be different from the colors shown in this printed material.

### AJY090GALBH

Please visit our webstore for full product and technical documentation 

Nominal Cooling Capacity (kW)	28.0
Nominal Heating Capacity (kW)	28.0
Range	VR-IV
Horse Power	10
Maximum Connectable Indoor Units	21
EER	3.94
COP (Nominal Heating)	4.67
Dimensions (H x W x D) (mm)	1690 x 930 x 765
Weight (kg)	262
Airflow Rate (Cooling - Heating) High (m3/h)	11100 - 11100
Available Static Pressure (Pa)	Max 80
Sound Pressure Level (Cooling - Heating) High (dB(A))	58 - 59
Sound Power Level (Cooling - Heating) High (dB(A))	76 - 77
Refrigerant Type (Global Warming Potential)	R410A (2,088)
Refrigerant Charge (kg)	11.8
Refrigerant CO2eq-T	24.6
Unit Power Supply	3Ph-400V-50Hz
Cooling Mode Operating Range (°C)	-15 to 46
Heating Mode Operating Range (°C)	-20 to 21



#### Document Downloads

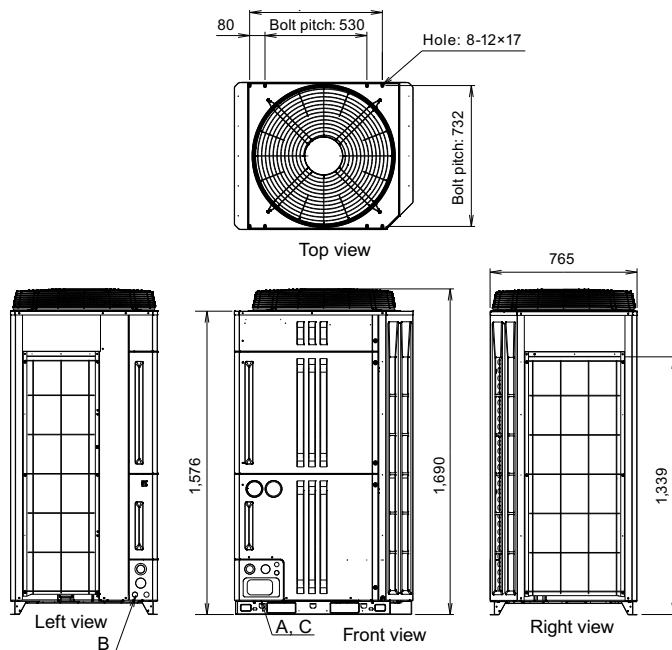
- [Cooling Capacity](#)
- [Dimensional Drawing](#)
- [Electrical Characteristics](#)
- [Heating Capacity](#)
- [Installation Manual](#)
- [Installation Space](#)
- [Noise Curve](#)
- [Product Image](#)
- [Refrigerant Circuit](#)

- [Spare Parts List All Pages](#)
- [Specifications](#)
- [Wiring Diagram](#)

#### Related Items

- [UTPDX567A](#)
- [UTPRX01AH](#)
- [UTPRX01BH](#)
- [UTPRX01CH](#)
- [UTPRX04BH](#)
- [UTPRX08AH](#)
- [UTPRX12AH](#)

- Outdoor Unit Branch Kit (3 Pipe)
- RB Unit - A Max 3 IUs, Capacity less than 8.0kW
- RB Unit - B Max 8 IUs, Capacity less than 18.0kW
- RB Unit - C Max 8 IUs, Capacity less than 28.0kW
- 4 Branch RB Unit Max Connectable Capacity < 56.1kW
- 8 Branch RB Unit Max Connectable Capacity < 72.0kW
- 12 Branch RB Unit Max Connectable Capacity < 95kW



Units: mm

\*Specifications and design are subject to change without notice for further improvement.  
 •Actual products' colors may be different from the colors shown in this printed material.

# AJY108GALBH

Please visit our webstore for full product and technical documentation 

Nominal Cooling Capacity (kW)	33.5
Nominal Heating Capacity (kW)	33.5
Range	VR-IV
Horse Power	12
Maximum Connectable Indoor Units	26
EER	3.44
COP (Nominal Heating)	4.25
Dimensions (H x W x D) (mm)	1690 x 930 x 765
Weight (kg)	262
Airflow Rate (Cooling - Heating) High (m3/h)	11100 - 11100
Available Static Pressure (Pa)	Max 80
Sound Pressure Level (Cooling - Heating) High (dB(A))	59 - 62
Sound Power Level (Cooling - Heating) High (dB(A))	79 - 82
Refrigerant Type (Global Warming Potential)	R410A (2,088)
Refrigerant Charge (kg)	11.8
Refrigerant CO2eq-T	24.6
Unit Power Supply	3Ph-400V-50Hz
Cooling Mode Operating Range (°C)	-15 to 46
Heating Mode Operating Range (°C)	-20 to 21

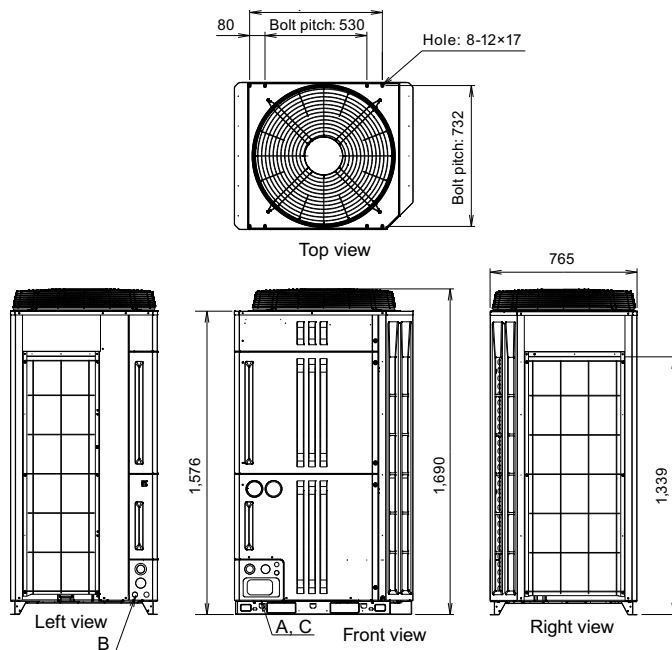


### Document Downloads

- [Cooling Capacity](#)
- [Dimensional Drawing](#)
- [Electrical Characteristics](#)
- [Heating Capacity](#)
- [Installation Manual](#)
- [Installation Space](#)
- [Noise Curve](#)
- [Product Image](#)
- [Refrigerant Circuit](#)
- [Spare Parts List All Pages](#)
- [Specifications](#)
- [Wiring Diagram](#)

### Related Items

- [UTPDX567A](#)
  - [UTPRX01AH](#)
  - [UTPRX01BH](#)
  - [UTPRX01CH](#)
  - [UTPRX04BH](#)
  - [UTPRX08AH](#)
  - [UTPRX12AH](#)
- Outdoor Unit Branch Kit (3 Pipe)  
 RB Unit - A Max 3 IUs, Capacity less than 8.0kW  
 RB Unit - B Max 8 IUs, Capacity less than 18.0kW  
 RB Unit - C Max 8 IUs, Capacity less than 28.0kW  
 4 Branch RB Unit Max Connectable Capacity < 56.1kW  
 8 Branch RB Unit Max Connectable Capacity < 72.0kW  
 12 Branch RB Unit Max Connectable Capacity < 95kW



Units: mm

\*Specifications and design are subject to change without notice for further improvement.  
 \*Actual products' colors may be different from the colors shown in this printed material.

# AJY126GALBH

Please visit our webstore for full product and technical documentation 

Nominal Cooling Capacity (kW)	40.0
Nominal Heating Capacity (kW)	40.0
Range	VR-IV
Horse Power	14
Maximum Connectable Indoor Units	30
EER	3.53
COP (Nominal Heating)	4.52
Dimensions (H x W x D) (mm)	1690 x 1240 x 765
Weight (kg)	286
Airflow Rate (Cooling - Heating) High (m3/h)	13000 - 13000
Available Static Pressure (Pa)	Max 80
Sound Pressure Level (Cooling - Heating) High (dB(A))	60 - 62
Sound Power Level (Cooling - Heating) High (dB(A))	81 - 82
Refrigerant Type (Global Warming Potential)	R410A (2,088)
Refrigerant Charge (kg)	11.8
Refrigerant CO2eq-T	24.6
Unit Power Supply	3Ph-400V-50Hz
Cooling Mode Operating Range (°C)	-15 to 46
Heating Mode Operating Range (°C)	-20 to 21



### Document Downloads

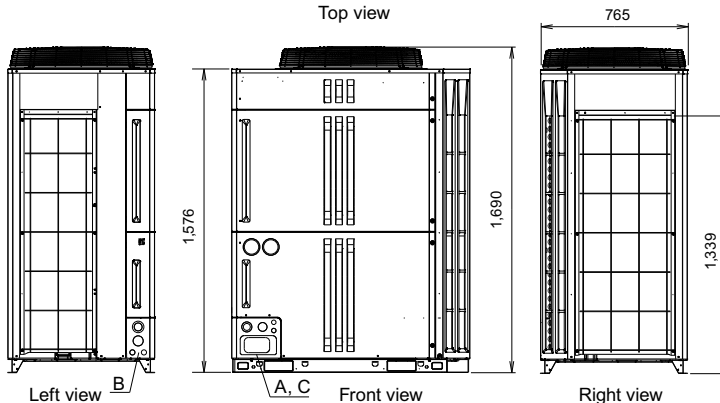
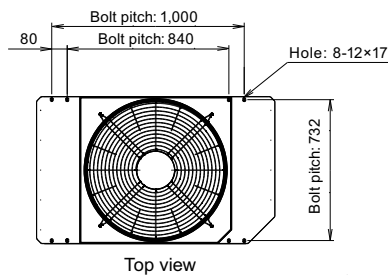
- [Cooling Capacity](#)
- [Dimensional Drawing](#)
- [Electrical Characteristics](#)
- [Heating Capacity](#)
- [Installation Manual](#)
- [Installation Space](#)
- [Noise Curve](#)
- [Product Image](#)
- [Refrigerant Circuit](#)

- [Spare Parts List All Pages](#)
- [Specifications](#)
- [Wiring Diagram](#)

### Related Items

- [UTPDX567A](#)
- [UTPRX01AH](#)
- [UTPRX01BH](#)
- [UTPRX01CH](#)
- [UTPRX04BH](#)
- [UTPRX08AH](#)
- [UTPRX12AH](#)

- Outdoor Unit Branch Kit (3 Pipe)
- RB Unit - A Max 3 IUs, Capacity less than 8.0kW
- RB Unit - B Max 8 IUs, Capacity less than 18.0kW
- RB Unit - C Max 8 IUs, Capacity less than 28.0kW
- 4 Branch RB Unit Max Connectable Capacity < 56.1kW
- 8 Branch RB Unit Max Connectable Capacity < 72.0kW
- 12 Branch RB Unit Max Connectable Capacity < 95kW



Units: mm

\*Specifications and design are subject to change without notice for further improvement.  
 •Actual products' colors may be different from the colors shown in this printed material.

# AJY144GALBH

Please visit our webstore for full product and technical documentation 

Nominal Cooling Capacity (kW)	45.0
Nominal Heating Capacity (kW)	45.0
Range	VR-IV
Horse Power	16
Maximum Connectable Indoor Units	34
EER	3.12
COP (Nominal Heating)	4.27
Dimensions (H x W x D) (mm)	1690 x 1240 x 765
Weight (kg)	286
Airflow Rate (Cooling - Heating) High (m3/h)	13000 - 13000
Available Static Pressure (Pa)	Max 80
Sound Pressure Level (Cooling - Heating) High (dB(A))	61 - 62
Sound Power Level (Cooling - Heating) High (dB(A))	81 - 82
Refrigerant Type (Global Warming Potential)	R410A (2,088)
Refrigerant Charge (kg)	11.8
Refrigerant CO2eq-T	24.6
Unit Power Supply	3Ph-400V-50Hz
Cooling Mode Operating Range (°C)	-15 to 46
Heating Mode Operating Range (°C)	-20 to 21

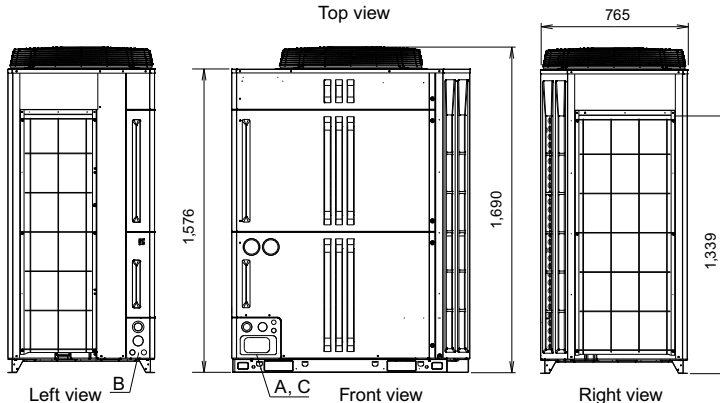
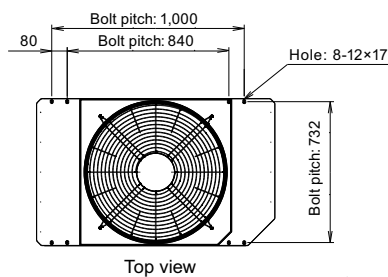


### Document Downloads

- [Cooling Capacity](#)
- [Dimensional Drawing](#)
- [Electrical Characteristics](#)
- [Heating Capacity](#)
- [Installation Manual](#)
- [Installation Space](#)
- [Noise Curve](#)
- [Product Image](#)
- [Refrigerant Circuit](#)
- [Spare Parts List All Pages](#)
- [Specifications](#)
- [Wiring Diagram](#)

### Related Items

- [UTPDX567A](#) Outdoor Unit Branch Kit (3 Pipe)
- [UTPRX01AH](#) RB Unit - A Max 3 IUs, Capacity less than 8.0kW
- [UTPRX01BH](#) RB Unit - B Max 8 IUs, Capacity less than 18.0kW
- [UTPRX01CH](#) RB Unit - C Max 8 IUs, Capacity less than 28.0kW
- [UTPRX04BH](#) 4 Branch RB Unit Max Connectable Capacity < 56.1kW
- [UTPRX08AH](#) 8 Branch RB Unit Max Connectable Capacity < 72.0kW
- [UTPRX12AH](#) 12 Branch RB Unit Max Connectable Capacity < 95kW



Units: mm

\*Specifications and design are subject to change without notice for further improvement.  
 \*Actual products' colors may be different from the colors shown in this printed material.



### ASYA004GCGH

Please visit our webstore for full product and technical documentation 

Unit Type	Wall Mounted (Internal EEV)
Remote Controller	Option
Nominal Cooling Capacity (kW)	1.1
UK Total Cooling Capacity (kW)	
UK Sensible Cooling Capacity (kW)	
Nominal Heating Capacity (kW)	
UK Heating Capacity (kW)	1.3
Height (mm)	268
Width (mm)	840
Depth (mm)	203
Weight (kg)	8
Airflow Rate - Cooling - High (m3/h)	450
Sound Pressure Level - Cooling - High (dB(A))	31
Sound Pressure Level - Cooling - Low (dB(A))	26
Refrigerant Type (Global Warming Potential)	R410A (2,088)
Liquid Pipe Size	1/4"
Gas Pipe Size	3/8"
Unit Power Supply	1Ph-230V-50Hz



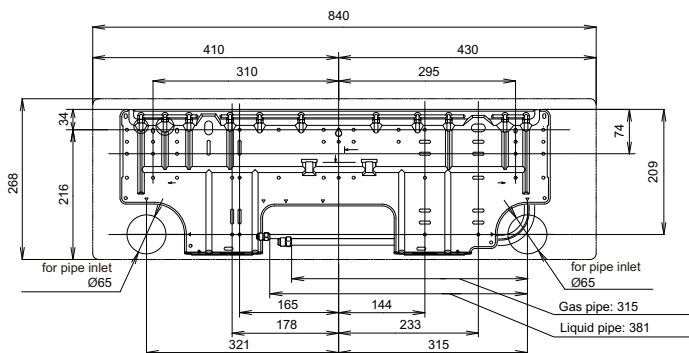
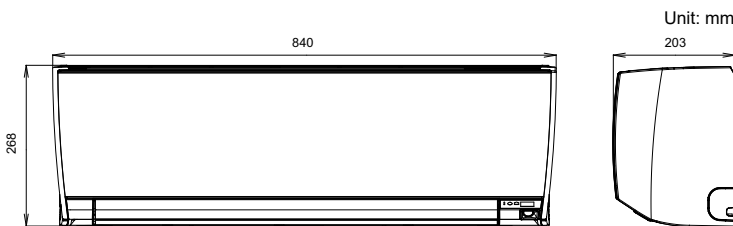
#### Document Downloads

- [Air Distribution](#)
- [Airflow](#)
- [Cooling Capacity](#)
- [Dimensional Drawing](#)
- [Heating Capacity](#)
- [Installation Manual](#)
- [Noise Curve](#)
- [Operation Manual](#)
- [Product Image](#)

- [Spare Parts List All Pages](#)
- [Specifications](#)
- [Wiring Diagram](#)

#### Related Items

- [UTYRNRZ5](#) Touch Screen Remote Controller
- [UTYRCRYZ1](#) Compact Simple Remote controller
- [UTYRSRY](#) Simple Remote Controller (with Master Control)
- [UTYRHRY](#) Simple Remote Controller (without Master Control)
- [UTYLNHY](#) Wireless Remote Controller
- [UTYTFXSZ1](#) Wireless LAN interface



\*Specifications and design are subject to change without notice for further improvement.  
 •Actual products' colors may be different from the colors shown in this printed material.

### ASYA007GCGH

Please visit our webstore for full product and technical documentation 

Unit Type	Wall Mounted (Internal EEV)
Remote Controller	Option
Nominal Cooling Capacity (kW)	2.2
UK Total Cooling Capacity (kW)	1.6
UK Sensible Cooling Capacity (kW)	1.4
Nominal Heating Capacity (kW)	2.6
UK Heating Capacity (kW)	2.8
Height (mm)	268
Width (mm)	840
Depth (mm)	203
Weight (kg)	8.5
Airflow Rate - Cooling - High (m3/h)	550
Sound Pressure Level - Cooling - High (dB(A))	34
Sound Pressure Level - Cooling - Low (dB(A))	26
Refrigerant Type (Global Warming Potential)	R410A (2,088)
Liquid Pipe Size	1/4"
Gas Pipe Size	3/8"
Unit Power Supply	1Ph-230V-50Hz



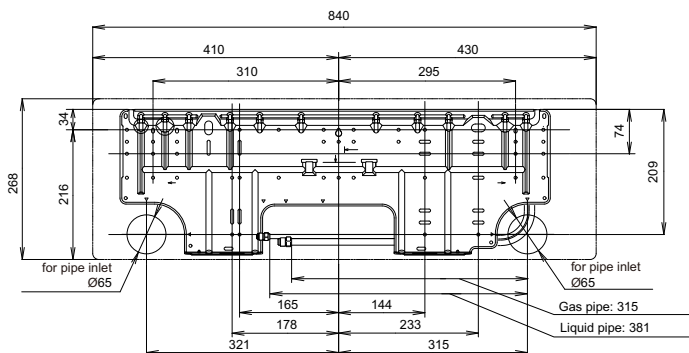
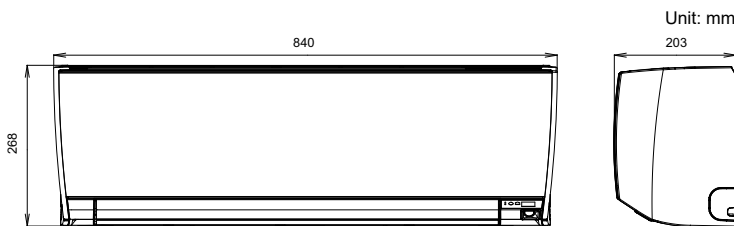
#### Document Downloads

- [Air Distribution](#)
- [Airflow](#)
- [Cooling Capacity](#)
- [Dimensional Drawing](#)
- [Heating Capacity](#)
- [Installation Manual](#)
- [Noise Curve](#)
- [Operation Manual](#)
- [Product Image](#)

- [Spare Parts List All Pages](#)
- [Specifications](#)
- [Wiring Diagram](#)

#### Related Items

- [UTYRNRZ5](#) Touch Screen Remote Controller
- [UTYRCRYZ1](#) Compact Simple Remote controller
- [UTYRSRY](#) Simple Remote Controller (with Master Control)
- [UTYRHRY](#) Simple Remote Controller (without Master Control)
- [UTYLNHY](#) Wireless Remote Controller
- [UTYTFXSZ1](#) Wireless LAN interface



\*Specifications and design are subject to change without notice for further improvement.  
 •Actual products' colors may be different from the colors shown in this printed material.

### ASYA009GCGH

Please visit our webstore for full product and technical documentation 

Unit Type	Wall Mounted (Internal EEV)
Remote Controller	Option
Nominal Cooling Capacity (kW)	2.8
UK Total Cooling Capacity (kW)	2.1
UK Sensible Cooling Capacity (kW)	1.8
Nominal Heating Capacity (kW)	3.0
UK Heating Capacity (kW)	3.2
Height (mm)	268
Width (mm)	840
Depth (mm)	203
Weight (kg)	8.5
Airflow Rate - Cooling - High (m3/h)	610
Sound Pressure Level - Cooling - High (dB(A))	37
Sound Pressure Level - Cooling - Low (dB(A))	26
Refrigerant Type (Global Warming Potential)	R410A (2,088)
Liquid Pipe Size	1/4"
Gas Pipe Size	3/8"
Unit Power Supply	1Ph-230V-50Hz



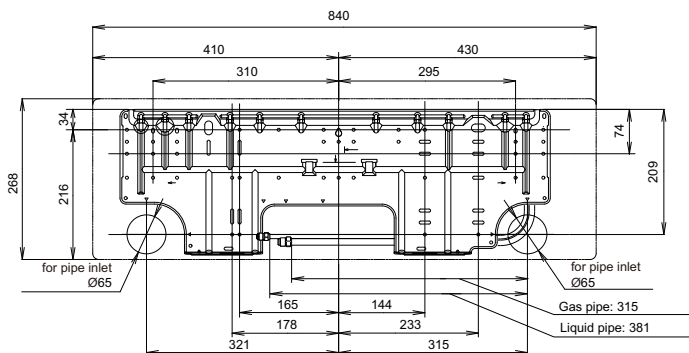
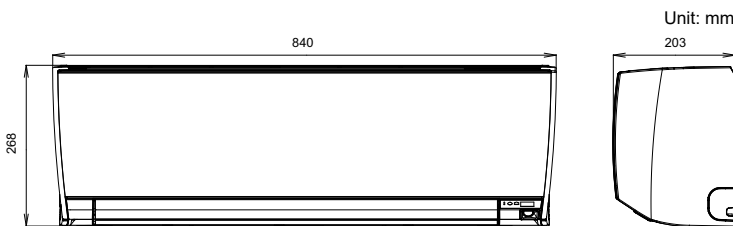
#### Document Downloads

- [Air Distribution](#)
- [Airflow](#)
- [Cooling Capacity](#)
- [Dimensional Drawing](#)
- [Heating Capacity](#)
- [Installation Manual](#)
- [Noise Curve](#)
- [Operation Manual](#)
- [Product Image](#)

- [Spare Parts List All Pages](#)
- [Specifications](#)
- [Wiring Diagram](#)

#### Related Items

- [UTYRNRZ5](#) Touch Screen Remote Controller
- [UTYRCRYZ1](#) Compact Simple Remote controller
- [UTYRSRY](#) Simple Remote Controller (with Master Control)
- [UTYRHRY](#) Simple Remote Controller (without Master Control)
- [UTYLNHY](#) Wireless Remote Controller
- [UTYTF SXZ1](#) Wireless LAN interface



\*Specifications and design are subject to change without notice for further improvement.  
 •Actual products' colors may be different from the colors shown in this printed material.

### ASYA012GCGH

Please visit our webstore for full product and technical documentation 

Unit Type	Wall Mounted (Internal EEV)
Remote Controller	Option
Nominal Cooling Capacity (kW)	3.6
UK Total Cooling Capacity (kW)	2.7
UK Sensible Cooling Capacity (kW)	2.3
Nominal Heating Capacity (kW)	3.8
UK Heating Capacity (kW)	4.0
Height (mm)	268
Width (mm)	840
Depth (mm)	203
Weight (kg)	8.5
Airflow Rate - Cooling - High (m3/h)	690
Sound Pressure Level - Cooling - High (dB(A))	40
Sound Pressure Level - Cooling - Low (dB(A))	30
Refrigerant Type (Global Warming Potential)	R410A (2,088)
Liquid Pipe Size	1/4"
Gas Pipe Size	1/2"
Unit Power Supply	1Ph-230V-50Hz



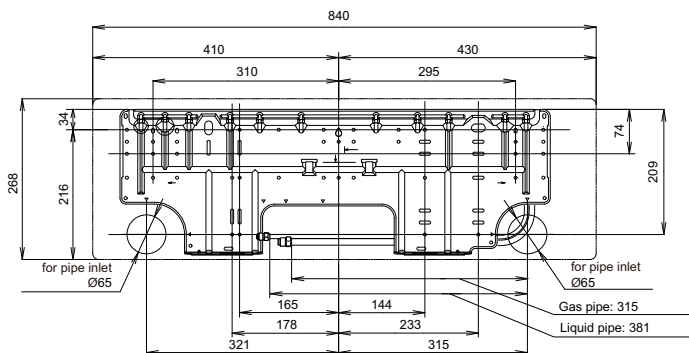
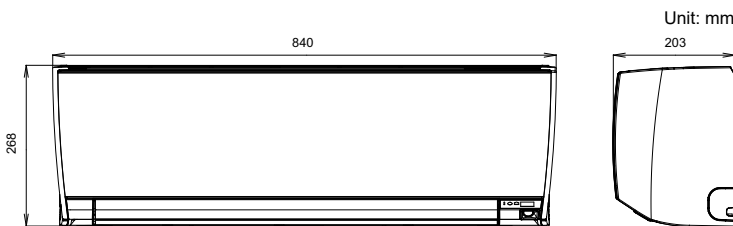
#### Document Downloads

- [Air Distribution](#)
- [Airflow](#)
- [Cooling Capacity](#)
- [Dimensional Drawing](#)
- [Heating Capacity](#)
- [Installation Manual](#)
- [Noise Curve](#)
- [Operation Manual](#)
- [Product Image](#)

- [Spare Parts List All Pages](#)
- [Specifications](#)
- [Wiring Diagram](#)

#### Related Items

- [UTYRNRZ5](#) Touch Screen Remote Controller
- [UTYRCRYZ1](#) Compact Simple Remote controller
- [UTYRSRY](#) Simple Remote Controller (with Master Control)
- [UTYRHRY](#) Simple Remote Controller (without Master Control)
- [UTYLNHY](#) Wireless Remote Controller
- [UTYTFXSZ1](#) Wireless LAN interface



\*Specifications and design are subject to change without notice for further improvement.  
 •Actual products' colors may be different from the colors shown in this printed material.

### ASYA014GCGH

Please visit our [webstore](#) for full product and technical documentation 

Unit Type	Wall Mounted (Internal EEV)
Remote Controller	Option
Nominal Cooling Capacity (kW)	4.0
UK Total Cooling Capacity (kW)	3.3
UK Sensible Cooling Capacity (kW)	2.7
Nominal Heating Capacity (kW)	4.7
UK Heating Capacity (kW)	4.5
Height (mm)	268
Width (mm)	840
Depth (mm)	203
Weight (kg)	8.5
Airflow Rate - Cooling - High (m3/h)	800
Sound Pressure Level - Cooling - High (dB(A))	44
Sound Pressure Level - Cooling - Low (dB(A))	34
Refrigerant Type (Global Warming Potential)	R410A (2,088)
Liquid Pipe Size	1/4"
Gas Pipe Size	1/2"
Unit Power Supply	1Ph-230V-50Hz



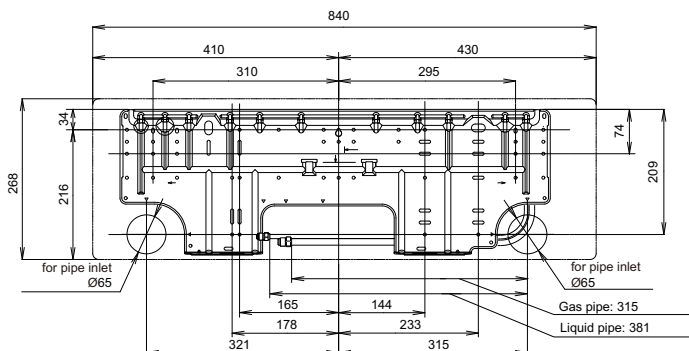
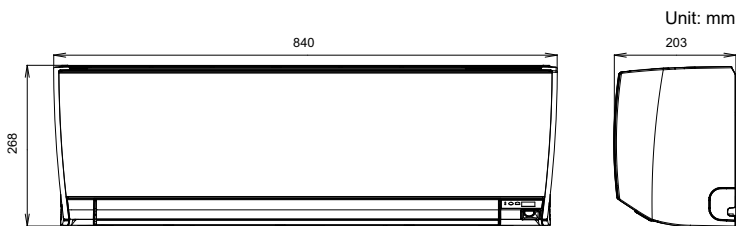
#### Document Downloads

- [Air Distribution](#)
- [Airflow](#)
- [Cooling Capacity](#)
- [Dimensional Drawing](#)
- [Heating Capacity](#)
- [Installation Manual](#)
- [Noise Curve](#)
- [Operation Manual](#)
- [Product Image](#)

- [Spare Parts List All Pages](#)
- [Specifications](#)
- [Wiring Diagram](#)

#### Related Items

- [UTYRNRZ5](#) Touch Screen Remote Controller
- [UTYRCRYZ1](#) Compact Simple Remote controller
- [UTYRSRY](#) Simple Remote Controller (with Master Control)
- [UTYRHRY](#) Simple Remote Controller (without Master Control)
- [UTYLNHY](#) Wireless Remote Controller
- [UTYF5SXZ1](#) Wireless LAN interface



\*Specifications and design are subject to change without notice for further improvement.  
 •Actual products' colors may be different from the colors shown in this printed material.

## ASYA18GBCH

Please visit our webstore for full product and technical documentation 

Unit Type	Wall Mounted (Internal EEV)
Remote Controller	Option
Nominal Cooling Capacity (kW)	5.6
UK Total Cooling Capacity (kW)	4.2
UK Sensible Cooling Capacity (kW)	3.5
Nominal Heating Capacity (kW)	5.9
UK Heating Capacity (kW)	6.3
Height (mm)	320
Width (mm)	998
Depth (mm)	238
Weight (kg)	15
Airflow Rate - Cooling - High (m3/h)	840
Sound Pressure Level - Cooling - High (dB(A))	41
Sound Pressure Level - Cooling - Low (dB(A))	35
Refrigerant Type (Global Warming Potential)	R410A (2,088)
Liquid Pipe Size	1/4"
Gas Pipe Size	1/2"
Unit Power Supply	1Ph-230V-50Hz



### Document Downloads

[Air Distribution](#)
[Airflow](#)
[Cooling Capacity](#)
[Dimensional Drawing](#)
[Electrical Characteristics](#)
[Heating Capacity](#)
[Installation Manual](#)
[Noise Curve](#)
[Operation Manual](#)
[Product Image](#)
[Spare Parts List All Pages](#)
[Specifications](#)
[Wiring Diagram](#)

### Related Items

[UTYRNRZ5](#)
[UTYRCRYZ1](#)
[UTYRSRY](#)
[UTYRHRY](#)
[UTYLNHY](#)

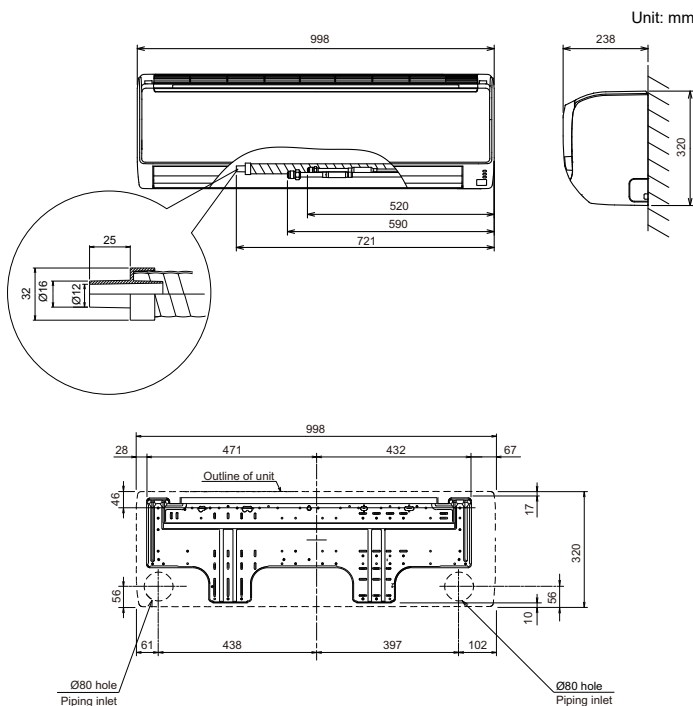
Touch Screen Remote Controller

Compact Simple Remote controller

Simple Remote Controller (with Master Control)

Simple Remote Controller (without Master Control)

Wireless Remote Controller



\*Specifications and design are subject to change without notice for further improvement.

\*Actual products' colors may be different from the colors shown in this printed material.

### ASYA24GBCH

Please visit our webstore for full product and technical documentation 

Unit Type	Wall Mounted (Internal EEV)
Remote Controller	Option
Nominal Cooling Capacity (kW)	7.1
UK Total Cooling Capacity (kW)	5.3
UK Sensible Cooling Capacity (kW)	4.6
Nominal Heating Capacity (kW)	7.4
UK Heating Capacity (kW)	8.0
Height (mm)	320
Width (mm)	998
Depth (mm)	238
Weight (kg)	15
Airflow Rate - Cooling - High (m3/h)	1100
Sound Pressure Level - Cooling - High (dB(A))	48
Sound Pressure Level - Cooling - Low (dB(A))	35
Refrigerant Type (Global Warming Potential)	R410A (2,088)
Liquid Pipe Size	3/8"
Gas Pipe Size	5/8"
Unit Power Supply	1Ph-230V-50Hz



#### Document Downloads

[Air Distribution](#)
[Airflow](#)
[Cooling Capacity](#)
[Dimensional Drawing](#)
[Electrical Characteristics](#)
[Heating Capacity](#)
[Installation Manual](#)
[Noise Curve](#)
[Operation Manual](#)
[Product Image](#)
[Spare Parts List All Pages](#)
[Specifications](#)
[Wiring Diagram](#)

#### Related Items

[UTYRNRZ5](#)
[UTYRCRYZ1](#)
[UTYRSRY](#)
[UTYRHRY](#)
[UTYLNHY](#)

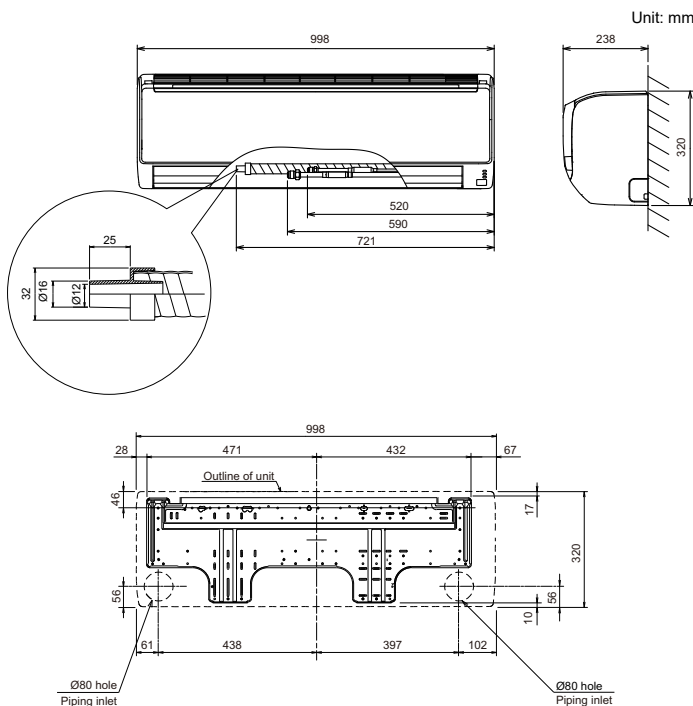
Touch Screen Remote Controller

Compact Simple Remote controller

Simple Remote Controller (with Master Control)

Simple Remote Controller (without Master Control)

Wireless Remote Controller



\*Specifications and design are subject to change without notice for further improvement.

\*Actual products' colors may be different from the colors shown in this printed material.

# ASYA030GTEH

Please visit our webstore for full product and technical documentation 

Unit Type	Wall Mounted (Internal EEV)
Remote Controller	Option
Nominal Cooling Capacity (kW)	9.0
UK Total Cooling Capacity (kW)	6.7
UK Sensible Cooling Capacity (kW)	5.7
Nominal Heating Capacity (kW)	9.3
UK Heating Capacity (kW)	10.0
Height (mm)	340
Width (mm)	1150
Depth (mm)	280
Weight (kg)	18
Airflow Rate - Cooling - High (m3/h)	1440
Sound Pressure Level - Cooling - High (dB(A))	53
Sound Pressure Level - Cooling - Low (dB(A))	39
Refrigerant Type (Global Warming Potential)	R410A (2,088)
Liquid Pipe Size	3/8"
Gas Pipe Size	5/8"
Unit Power Supply	1Ph-230V-50Hz



### Document Downloads

[Air Distribution](#)
[Airflow](#)
[Cooling Capacity](#)
[Dimensional Drawing](#)
[Electrical Characteristics](#)
[Heating Capacity](#)
[Installation Manual](#)
[Noise Curve](#)
[Operation Manual](#)
[Product Image](#)
[Spare Parts List All Pages](#)
[Specifications](#)
[Wiring Diagram](#)

### Related Items

[UTYRNRZ5](#)
[UTYRCRYZ1](#)
[UTYRSRY](#)
[UTYRHRY](#)
[UTYLNHY](#)
[UTYTF SXZ1](#)

Touch Screen Remote Controller

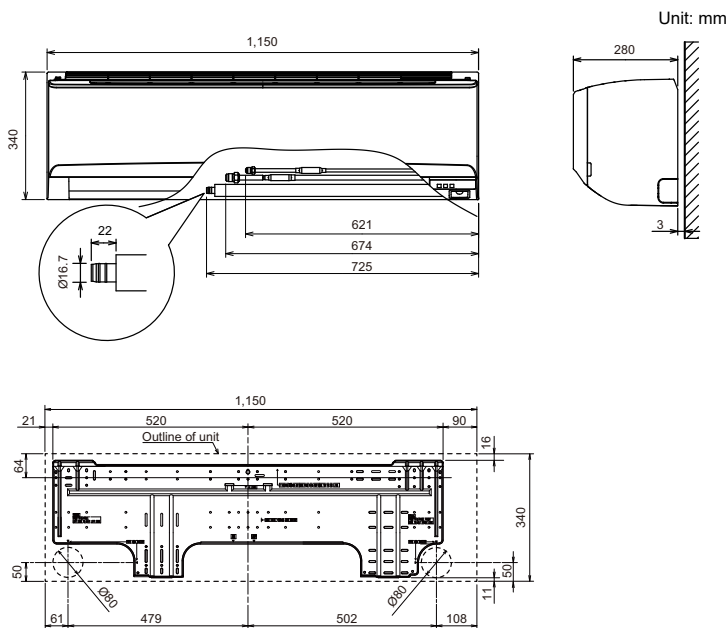
Compact Simple Remote controller

Simple Remote Controller (with Master Control)

Simple Remote Controller (without Master Control)

Wireless Remote Controller

Wireless LAN interface



\*Specifications and design are subject to change without notice for further improvement.

\*Actual products' colors may be different from the colors shown in this printed material.



### ASYA034GTEH

Please visit our webstore for full product and technical documentation 

Unit Type	Wall Mounted (Internal EEV)
Remote Controller	Option
Nominal Cooling Capacity (kW)	10.0
UK Total Cooling Capacity (kW)	7.4
UK Sensible Cooling Capacity (kW)	6.5
Nominal Heating Capacity (kW)	10.4
UK Heating Capacity (kW)	11.2
Height (mm)	340
Width (mm)	1150
Depth (mm)	280
Weight (kg)	18
Airflow Rate - Cooling - High (m3/h)	1620
Sound Pressure Level - Cooling - High (dB(A))	55
Sound Pressure Level - Cooling - Low (dB(A))	39
Refrigerant Type (Global Warming Potential)	R410A (2,088)
Liquid Pipe Size	3/8"
Gas Pipe Size	5/8"
Unit Power Supply	1Ph-230V-50Hz



#### Document Downloads

[Air Distribution](#)
[Airflow](#)
[Cooling Capacity](#)
[Dimensional Drawing](#)
[Electrical Characteristics](#)
[Heating Capacity](#)
[Installation Manual](#)
[Noise Curve](#)
[Operation Manual](#)
[Product Image](#)
[Spare Parts List All Pages](#)
[Specifications](#)
[Wiring Diagram](#)

#### Related Items

[UTYRNRZ5](#)
[UTYRCRYZ1](#)
[UTYRSRY](#)
[UTYRHRY](#)
[UTYLNHY](#)
[UTYTF SXZ1](#)

Touch Screen Remote Controller

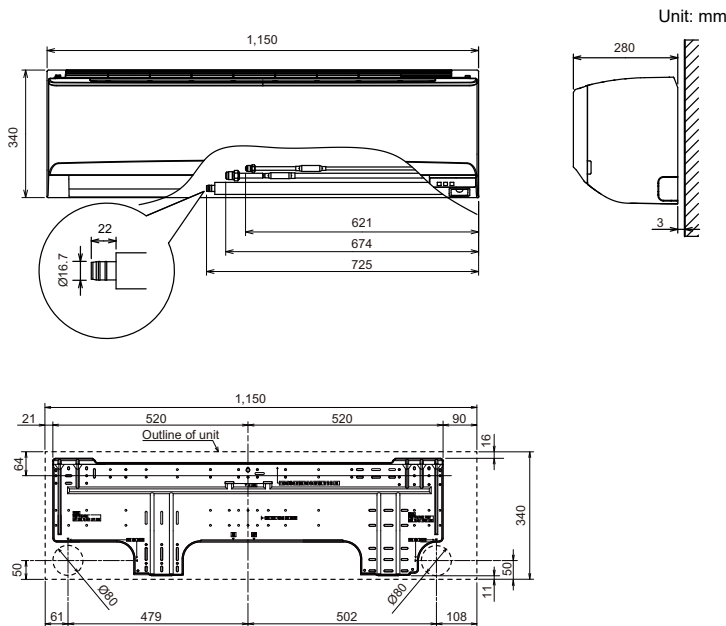
Compact Simple Remote controller

Simple Remote Controller (with Master Control)

Simple Remote Controller (without Master Control)

Wireless Remote Controller

Wireless LAN interface



\*Specifications and design are subject to change without notice for further improvement.

\*Actual products' colors may be different from the colors shown in this printed material.

# ASYE004GTEH

Please visit our [webstore](#) for full product and technical documentation

Unit Type	Wall Mounted (External EEV)
Remote Controller	Option
Nominal Cooling Capacity (kW)	1.1
UK Total Cooling Capacity (kW)	0.8
UK Sensible Cooling Capacity (kW)	0.7
Nominal Heating Capacity (kW)	1.2
UK Heating Capacity (kW)	1.3
Height (mm)	262
Width (mm)	820
Depth (mm)	206
Weight (kg)	7
Airflow Rate - Cooling - High (m3/h)	430
Sound Pressure Level - Cooling - High (dB(A))	31
Sound Pressure Level - Cooling - Low (dB(A))	24
Refrigerant Type (Global Warming Potential)	R410A (2,088)
Liquid Pipe Size	1/4"
Gas Pipe Size	3/8"
Unit Power Supply	1Ph-230V-50Hz



**Document Downloads**

- [Installation Manual](#)
- [Operation Manual](#)
- [Product Image](#)
- [Spare Parts List All Pages](#)

**Related Items**

- [UTREV09XB](#) VRF Expansion Valve Kit, size 4 to 9 indoor units
- [UTYRNRYZ5](#) Touch Screen Remote Controller
- [UTYRCRYZ1](#) Compact Simple Remote controller
- [UTYRSRY](#) Simple Remote Controller (with Master Control)
- [UTYRHRY](#) Simple Remote Controller (without Master Control)
- [UTYLNHY](#) Wireless Remote Controller
- [UTYTFSXZ1](#) Wireless LAN interface

\*Specifications and design are subject to change without notice for further improvement.  
 •Actual products' colors may be different from the colors shown in this printed material.

## ASYE007GTEH

Please visit our webstore for full product and technical documentation 

Unit Type	Wall Mounted (External EEV)
Remote Controller	Option
Nominal Cooling Capacity (kW)	2.2
UK Total Cooling Capacity (kW)	1.6
UK Sensible Cooling Capacity (kW)	1.4
Nominal Heating Capacity (kW)	2.6
UK Heating Capacity (kW)	2.8
Height (mm)	262
Width (mm)	820
Depth (mm)	206
Weight (kg)	7
Airflow Rate - Cooling - High (m3/h)	550
Sound Pressure Level - Cooling - High (dB(A))	35
Sound Pressure Level - Cooling - Low (dB(A))	24
Refrigerant Type (Global Warming Potential)	R410A (2,088)
Liquid Pipe Size	1/4"
Gas Pipe Size	3/8"
Unit Power Supply	1Ph-230V-50Hz



### Document Downloads

[Installation Manual](#)

[Operation Manual](#)

[Product Image](#)

[Spare Parts List All Pages](#)

### Related Items

[UTREV09XB](#)

VRF Expansion Valve Kit, size 4 to 9 indoor units

[UTYRNRYZ5](#)

Touch Screen Remote Controller

[UTYRCRYZ1](#)

Compact Simple Remote controller

[UTYRSRY](#)

Simple Remote Controller (with Master Control)

[UTYRHRY](#)

Simple Remote Controller (without Master Control)

[UTYLNHY](#)

Wireless Remote Controller

[UTYTFXZ1](#)

Wireless LAN interface

# ASYE009GTEH

Please visit our [webstore](#) for full product and technical documentation

Unit Type	Wall Mounted (External EEV)
Remote Controller	Option
Nominal Cooling Capacity (kW)	2.8
UK Total Cooling Capacity (kW)	2.1
UK Sensible Cooling Capacity (kW)	1.8
Nominal Heating Capacity (kW)	3.0
UK Heating Capacity (kW)	3.2
Height (mm)	262
Width (mm)	820
Depth (mm)	206
Weight (kg)	7
Airflow Rate - Cooling - High (m3/h)	720
Sound Pressure Level - Cooling - High (dB(A))	43
Sound Pressure Level - Cooling - Low (dB(A))	24
Refrigerant Type (Global Warming Potential)	R410A (2,088)
Liquid Pipe Size	1/4"
Gas Pipe Size	3/8"
Unit Power Supply	1Ph-230V-50Hz



**Document Downloads**

- [Installation Manual](#)
- [Operation Manual](#)
- [Product Image](#)
- [Spare Parts List All Pages](#)

**Related Items**

- [UTREV09XB](#) VRF Expansion Valve Kit, size 4 to 9 indoor units
- [UTYRNRYZ5](#) Touch Screen Remote Controller
- [UTYRCRYZ1](#) Compact Simple Remote controller
- [UTYRSRY](#) Simple Remote Controller (with Master Control)
- [UTYRHRY](#) Simple Remote Controller (without Master Control)
- [UTYLNHY](#) Wireless Remote Controller
- [UTYTF SXZ1](#) Wireless LAN interface

\*Specifications and design are subject to change without notice for further improvement.  
 •Actual products' colors may be different from the colors shown in this printed material.

### ASYE012GCEH

Please visit our webstore for full product and technical documentation 

Unit Type	Wall Mounted (External EEV)
Remote Controller	Option
Nominal Cooling Capacity (kW)	3.6
UK Total Cooling Capacity (kW)	2.7
UK Sensible Cooling Capacity (kW)	2.3
Nominal Heating Capacity (kW)	3.8
UK Heating Capacity (kW)	4.0
Height (mm)	268
Width (mm)	840
Depth (mm)	203
Weight (kg)	8.5
Airflow Rate - Cooling - High (m3/h)	690
Sound Pressure Level - Cooling - High (dB(A))	40
Sound Pressure Level - Cooling - Low (dB(A))	30
Refrigerant Type (Global Warming Potential)	R410A (2,088)
Liquid Pipe Size	1/4"
Gas Pipe Size	1/2"
Unit Power Supply	1Ph-230V-50Hz



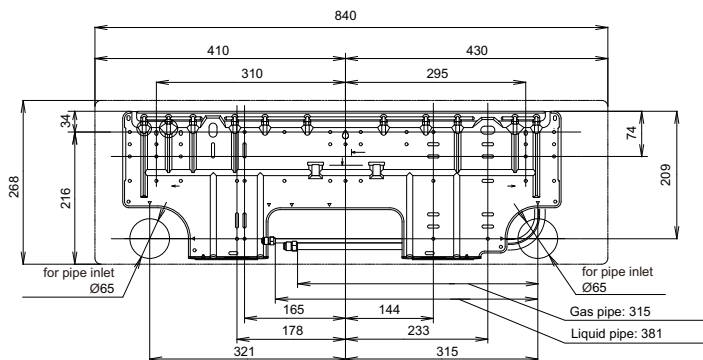
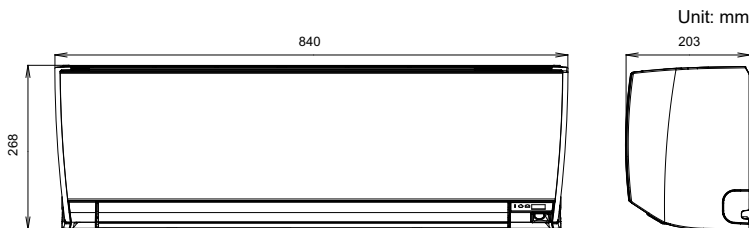
#### Document Downloads

[Air Distribution](#)
[Airflow](#)
[Cooling Capacity](#)
[Dimensional Drawing](#)
[Electrical Characteristics](#)
[Heating Capacity](#)
[Installation Manual](#)
[Noise Curve](#)
[Operation Manual](#)
[Product Image](#)
[Spare Parts List All Pages](#)
[Specifications](#)
[Wiring Diagram](#)

#### Related Items

[UTREV14XB](#)
[UTYRNRZY5](#)
[UTYRCRYZ1](#)
[UTYRSRY](#)
[UTYRHRV](#)
[UTYLNHY](#)
[UTYTF5XZ1](#)

VRF Expansion Valve Kit, size 12 & 14 indoor units  
 Touch Screen Remote Controller  
 Compact Simple Remote controller  
 Simple Remote Controller (with Master Control)  
 Simple Remote Controller (without Master Control)  
 Wireless Remote Controller  
 Wireless LAN interface



\*Specifications and design are subject to change without notice for further improvement.

\*Actual products' colors may be different from the colors shown in this printed material.

### ASYE014GCEH

Please visit our webstore for full product and technical documentation 

Unit Type	Wall Mounted (External EEV)
Remote Controller	Option
Nominal Cooling Capacity (kW)	4.0
UK Total Cooling Capacity (kW)	3.3
UK Sensible Cooling Capacity (kW)	2.7
Nominal Heating Capacity (kW)	4.7
UK Heating Capacity (kW)	4.5
Height (mm)	268
Width (mm)	840
Depth (mm)	203
Weight (kg)	8.5
Airflow Rate - Cooling - High (m3/h)	800
Sound Pressure Level - Cooling - High (dB(A))	44
Sound Pressure Level - Cooling - Low (dB(A))	34
Refrigerant Type (Global Warming Potential)	R410A (2,088)
Liquid Pipe Size	1/4"
Gas Pipe Size	1/2"
Unit Power Supply	1Ph-230V-50Hz



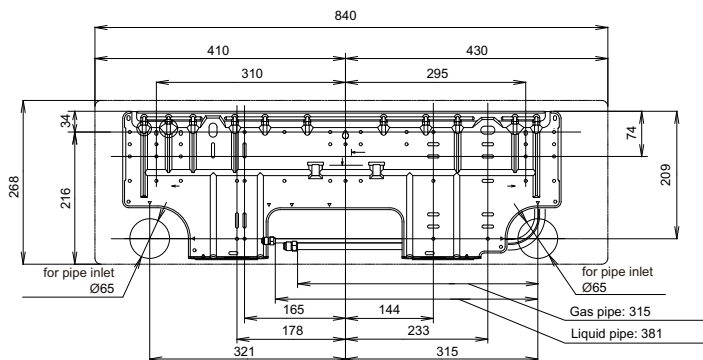
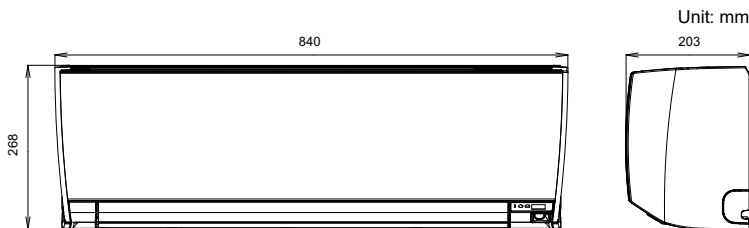
#### Document Downloads

[Air Distribution](#)
[Airflow](#)
[Cooling Capacity](#)
[Dimensional Drawing](#)
[Electrical Characteristics](#)
[Heating Capacity](#)
[Installation Manual](#)
[Noise Curve](#)
[Operation Manual](#)
[Product Image](#)
[Spare Parts List All Pages](#)
[Specifications](#)
[Wiring Diagram](#)

#### Related Items

[UTREV14XB](#)
[UTYRNRZY5](#)
[UTYRCRYZ1](#)
[UTYRSRY](#)
[UTYRHRH](#)
[UTYLNHY](#)
[UTYTF5XZ1](#)

- VRF Expansion Valve Kit, size 12 & 14 indoor units
- Touch Screen Remote Controller
- Compact Simple Remote controller
- Simple Remote Controller (with Master Control)
- Simple Remote Controller (without Master Control)
- Wireless Remote Controller
- Wireless LAN interface



\*Specifications and design are subject to change without notice for further improvement.

\*Actual products' colors may be different from the colors shown in this printed material.

# AUXB004GLEH

Please visit our [webstore](#) for full product and technical documentation

Unit Type	Compact Cassette	
Remote Controller	Option	
Nominal Cooling Capacity (kW)	1.1	
UK Total Cooling Capacity (kW)	0.8	
UK Sensible Cooling Capacity (kW)	0.7	
Nominal Heating Capacity (kW)	1.2	
UK Heating Capacity (kW)	1.3	
Height (mm)	245	
Width (mm)	570	
Depth (mm)	570	
Weight (kg)	14.5	
Grille	UTGUFYEW	
Grille Dimensions (HxWxD) (mm)	50 x 620 x 620	
Grille Weight (kg)	2.3	
Airflow Rate - Cooling - High (m3/h)	530	
Sound Pressure Level - Cooling - High (dB(A))	34	
Sound Pressure Level - Cooling - Low (dB(A))	27	
Refrigerant Type (Global Warming Potential)	R410A (2,088)	
Liquid Pipe Size	1/4"	
Gas Pipe Size	3/8"	
Unit Power Supply	1Ph-230V-50Hz	

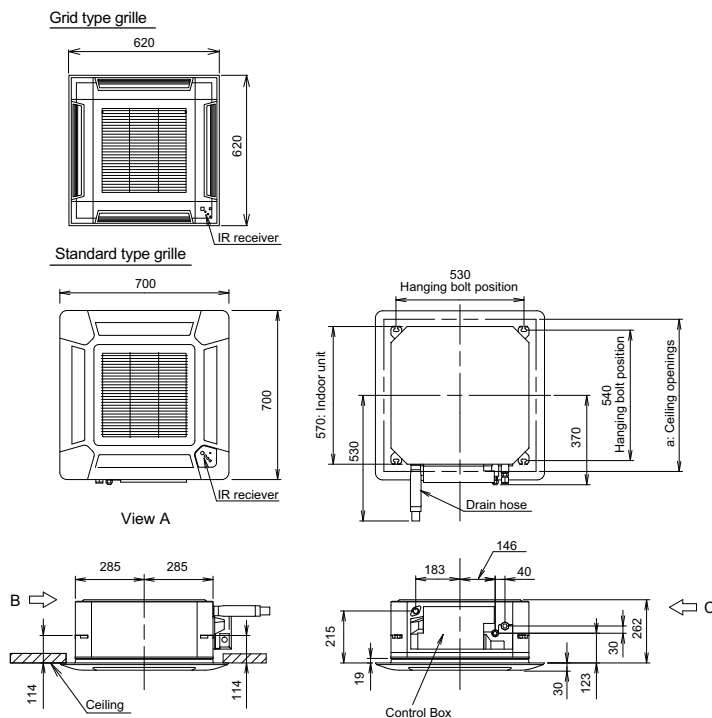


**Document Downloads**

- [Air Distribution](#)
- [Airflow](#)
- [Cooling Capacity](#)
- [Dimensional Drawing](#)
- [Electrical Characteristics](#)
- [Heating Capacity](#)
- [Installation Manual](#)
- [Noise Curve](#)
- [Operation Manual](#)
- [Product Image](#)
- [Spare Parts List All Pages](#)
- [Specifications](#)
- [Wiring Diagram](#)

**Related Items**

- [UTGUFYEW](#) Compact Cassette Grille
- [UTRYDZB](#) Air Outlet Shutter Plate for Compact Cassette
- [UTZVXAA](#) Fresh Air Intake Kit for Compact Cassette
- [UTYRNRZ5](#) Touch Screen Remote Controller
- [UTYRCRYZ1](#) Compact Simple Remote controller
- [UTYRSRY](#) Simple Remote Controller (with Master Control)
- [UTYRHRY](#) Simple Remote Controller (without Master Control)
- [UTYLNHY](#) Wireless Remote Controller



\*Specifications and design are subject to change without notice for further improvement.  
 •Actual products' colors may be different from the colors shown in this printed material.

### AUXB007GLEH

Please visit our webstore for full product and technical documentation 

Unit Type	Compact Cassette	
Remote Controller	Option	
Nominal Cooling Capacity (kW)		2.2
UK Total Cooling Capacity (kW)		1.6
UK Sensible Cooling Capacity (kW)		1.5
Nominal Heating Capacity (kW)		2.6
UK Heating Capacity (kW)		2.8
Height (mm)		245
Width (mm)		570
Depth (mm)		570
Weight (kg)		15
Grille	UTGUFYEW	
Grille Dimensions (HxWxD) (mm)		50 x 620 x 620
Grille Weight (kg)		2.3
Airflow Rate - Cooling - High (m3/h)		540
Sound Pressure Level - Cooling - High (dB(A))		34
Sound Pressure Level - Cooling - Low (dB(A))		27
Refrigerant Type (Global Warming Potential)	R410A (2,088)	
Liquid Pipe Size	1/4"	
Gas Pipe Size	3/8"	
Unit Power Supply	1Ph-230V-50Hz	



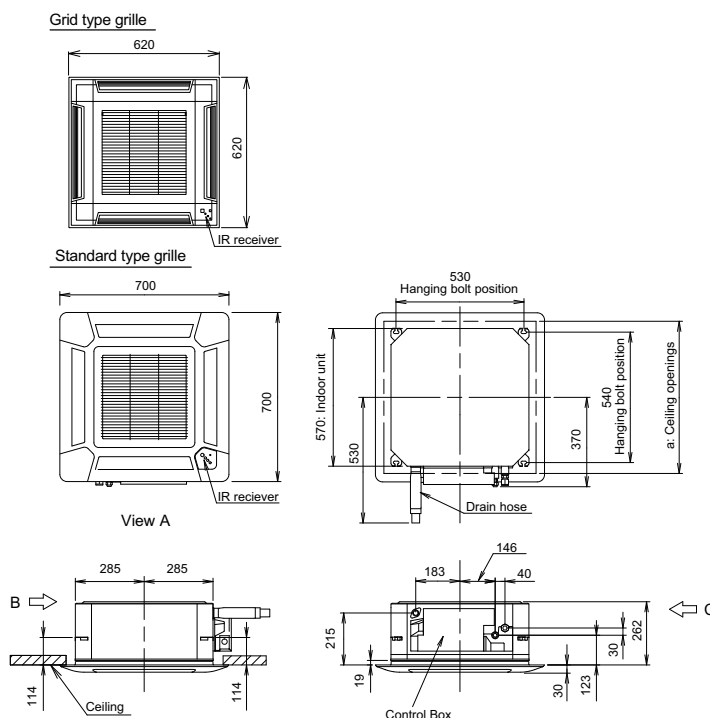
#### Document Downloads

- [Air Distribution](#)
- [Airflow](#)
- [Cooling Capacity](#)
- [Dimensional Drawing](#)
- [Electrical Characteristics](#)
- [Heating Capacity](#)
- [Installation Manual](#)
- [Noise Curve](#)
- [Operation Manual](#)

- [Product Image](#)
- [Spare Parts List All Pages](#)
- [Specifications](#)
- [Wiring Diagram](#)

#### Related Items

- [UTGUFYEW](#) Compact Cassette Grille
- [UTRYDZB](#) Air Outlet Shutter Plate for Compact Cassette
- [UTZVXAA](#) Fresh Air Intake Kit for Compact Cassette
- [UTYRNRZ5](#) Touch Screen Remote Controller
- [UTYRCRYZ1](#) Compact Simple Remote controller
- [UTYRSRY](#) Simple Remote Controller (with Master Control)
- [UTYRHRY](#) Simple Remote Controller (without Master Control)
- [UTYLNHY](#) Wireless Remote Controller
- [UTYTF SXZ1](#) Wireless LAN interface



\*Specifications and design are subject to change without notice for further improvement.

\*Actual products' colors may be different from the colors shown in this printed material.



### AUXB009GLEH

Please visit our webstore for full product and technical documentation 

Unit Type	Compact Cassette	
Remote Controller	Option	
Nominal Cooling Capacity (kW)	2.8	
UK Total Cooling Capacity (kW)	2.1	
UK Sensible Cooling Capacity (kW)	1.7	
Nominal Heating Capacity (kW)	3.0	
UK Heating Capacity (kW)	3.2	
Height (mm)	245	
Width (mm)	570	
Depth (mm)	570	
Weight (kg)	15	
Grille	UTGUFYEW	
Grille Dimensions (HxWxD) (mm)	50 x 620 x 620	
Grille Weight (kg)	2.3	
Airflow Rate - Cooling - High (m3/h)	550	
Sound Pressure Level - Cooling - High (dB(A))	35	
Sound Pressure Level - Cooling - Low (dB(A))	27	
Refrigerant Type (Global Warming Potential)	R410A (2,088)	
Liquid Pipe Size	1/4"	
Gas Pipe Size	3/8"	
Unit Power Supply	1Ph-230V-50Hz	



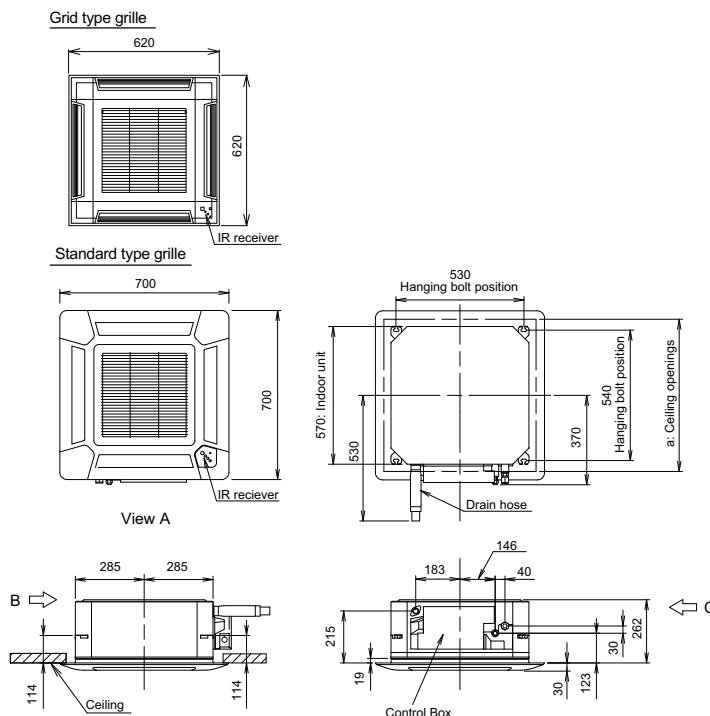
#### Document Downloads

- [Air Distribution](#)
- [Airflow](#)
- [Cooling Capacity](#)
- [Dimensional Drawing](#)
- [Electrical Characteristics](#)
- [Heating Capacity](#)
- [Installation Manual](#)
- [Noise Curve](#)
- [Operation Manual](#)

- [Product Image](#)
- [Spare Parts List All Pages](#)
- [Specifications](#)
- [Wiring Diagram](#)

#### Related Items

- [UTGUFYEW](#) Compact Cassette Grille
- [UTRYDZB](#) Air Outlet Shutter Plate for Compact Cassette
- [UTZVXAA](#) Fresh Air Intake Kit for Compact Cassette
- [UTYRNRZ5](#) Touch Screen Remote Controller
- [UTYRCRYZ1](#) Compact Simple Remote controller
- [UTYRSRY](#) Simple Remote Controller (with Master Control)
- [UTYRHRY](#) Simple Remote Controller (without Master Control)
- [UTYLNHY](#) Wireless Remote Controller
- [UTYTF SXZ1](#) Wireless LAN interface



\*Specifications and design are subject to change without notice for further improvement.  
 •Actual products' colors may be different from the colors shown in this printed material.

### AUXB012GLEH

Please visit our [webstore](#) for full product and technical documentation 

Unit Type	Compact Cassette	
Remote Controller	Option	
Nominal Cooling Capacity (kW)	3.6	
UK Total Cooling Capacity (kW)	2.7	
UK Sensible Cooling Capacity (kW)	2.3	
Nominal Heating Capacity (kW)	3.8	
UK Heating Capacity (kW)	4.1	
Height (mm)	245	
Width (mm)	570	
Depth (mm)	570	
Weight (kg)	15	
Grille	UTGUFYEW	
Grille Dimensions (HxWxD) (mm)	50 x 620 x 620	
Grille Weight (kg)	2.3	
Airflow Rate - Cooling - High (m3/h)	600	
Sound Pressure Level - Cooling - High (dB(A))	37	
Sound Pressure Level - Cooling - Low (dB(A))	29	
Refrigerant Type (Global Warming Potential)	R410A (2,088)	
Liquid Pipe Size	1/4"	
Gas Pipe Size	1/2"	
Unit Power Supply	1Ph-230V-50Hz	



#### Document Downloads

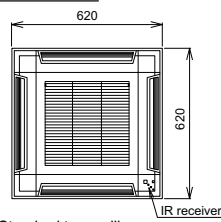
- [Air Distribution](#)
- [Airflow](#)
- [Cooling Capacity](#)
- [Dimensional Drawing](#)
- [Electrical Characteristics](#)
- [Heating Capacity](#)
- [Installation Manual](#)
- [Noise Curve](#)
- [Operation Manual](#)

- [Product Image](#)
- [Spare Parts List All Pages](#)
- [Specifications](#)
- [Wiring Diagram](#)

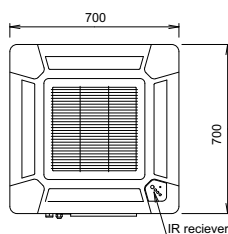
#### Related Items

- [UTGUFYEW](#) Compact Cassette Grille
- [UTRYDZB](#) Air Outlet Shutter Plate for Compact Cassette
- [UTZVXAA](#) Fresh Air Intake Kit for Compact Cassette
- [UTYRNRZ5](#) Touch Screen Remote Controller
- [UTYRCRYZ1](#) Compact Simple Remote controller
- [UTYRSRY](#) Simple Remote Controller (with Master Control)
- [UTYRHRY](#) Simple Remote Controller (without Master Control)
- [UTYLNHY](#) Wireless Remote Controller
- [UTYTF SXZ1](#) Wireless LAN interface

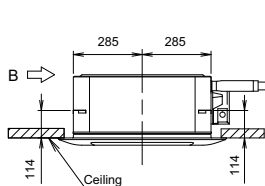
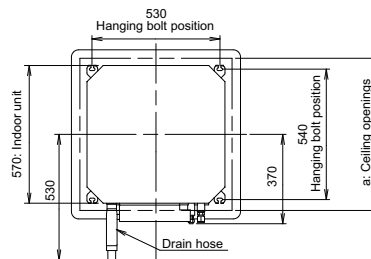
Grid type grille



Standard type grille



View A



Control Box

\*Specifications and design are subject to change without notice for further improvement.  
 •Actual products' colors may be different from the colors shown in this printed material.

# AUXB014GLEH

Please visit our [webstore](#) for full product and technical documentation

Unit Type	Compact Cassette	
Remote Controller	Option	
Nominal Cooling Capacity (kW)	4.5	
UK Total Cooling Capacity (kW)	3.3	
UK Sensible Cooling Capacity (kW)	2.7	
Nominal Heating Capacity (kW)	4.7	
UK Heating Capacity (kW)	5.0	
Height (mm)	245	
Width (mm)	570	
Depth (mm)	570	
Weight (kg)	15	
Grille	UTGUFYEW	
Grille Dimensions (HxWxD) (mm)	50 x 620 x 620	
Grille Weight (kg)	2.3	
Airflow Rate - Cooling - High (m3/h)	680	
Sound Pressure Level - Cooling - High (dB(A))	38	
Sound Pressure Level - Cooling - Low (dB(A))	30	
Refrigerant Type (Global Warming Potential)	R410A (2,088)	
Liquid Pipe Size	1/4"	
Gas Pipe Size	1/2"	
Unit Power Supply	1Ph-230V-50Hz	



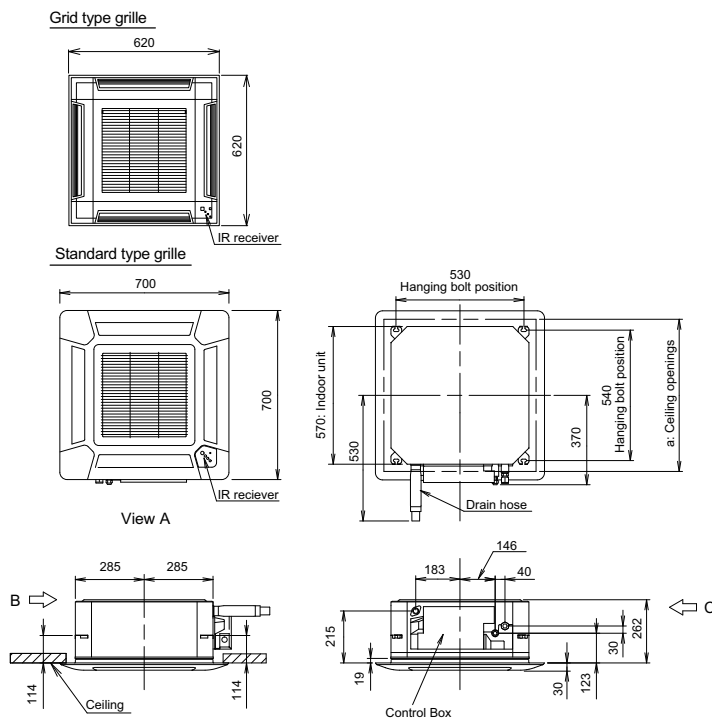
**Document Downloads**

- [Air Distribution](#)
- [Airflow](#)
- [Cooling Capacity](#)
- [Dimensional Drawing](#)
- [Electrical Characteristics](#)
- [Heating Capacity](#)
- [Installation Manual](#)
- [Noise Curve](#)
- [Operation Manual](#)

- [Product Image](#)
- [Spare Parts List All Pages](#)
- [Specifications](#)
- [Wiring Diagram](#)

**Related Items**

- [UTGUFYEW](#) Compact Cassette Grille
- [UTRYDZB](#) Air Outlet Shutter Plate for Compact Cassette
- [UTZVXAA](#) Fresh Air Intake Kit for Compact Cassette
- [UTYRNRZ5](#) Touch Screen Remote Controller
- [UTYRCRYZ1](#) Compact Simple Remote controller
- [UTYRSRY](#) Simple Remote Controller (with Master Control)
- [UTYRHRY](#) Simple Remote Controller (without Master Control)
- [UTYLNHY](#) Wireless Remote Controller
- [UTYTF SXZ1](#) Wireless LAN interface



\*Specifications and design are subject to change without notice for further improvement.  
 •Actual products' colors may be different from the colors shown in this printed material.

### AUXB018GLEH

Please visit our webstore for full product and technical documentation 

Unit Type	Compact Cassette	
Remote Controller	Option	
Nominal Cooling Capacity (kW)	5.6	
UK Total Cooling Capacity (kW)	4.2	
UK Sensible Cooling Capacity (kW)	3.2	
Nominal Heating Capacity (kW)	5.9	
UK Heating Capacity (kW)	6.3	
Height (mm)	245	
Width (mm)	570	
Depth (mm)	570	
Weight (kg)	17	
Grille	UTGUFYEW	
Grille Dimensions (HxWxD) (mm)	50 x 620 x 620	
Grille Weight (kg)	2.3	
Airflow Rate - Cooling - High (m3/h)	710	
Sound Pressure Level - Cooling - High (dB(A))	41	
Sound Pressure Level - Cooling - Low (dB(A))	30	
Refrigerant Type (Global Warming Potential)	R410A (2,088)	
Liquid Pipe Size	1/4"	
Gas Pipe Size	1/2"	
Unit Power Supply	1Ph-230V-50Hz	



#### Document Downloads

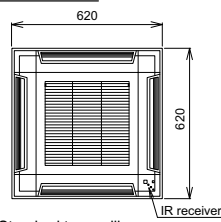
- [Air Distribution](#)
- [Airflow](#)
- [Cooling Capacity](#)
- [Dimensional Drawing](#)
- [Electrical Characteristics](#)
- [Heating Capacity](#)
- [Installation Manual](#)
- [Noise Curve](#)
- [Operation Manual](#)

- [Product Image](#)
- [Spare Parts List All Pages](#)
- [Specifications](#)
- [Wiring Diagram](#)

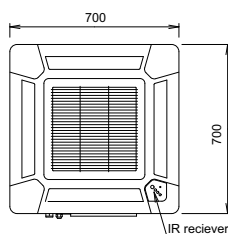
#### Related Items

- [UTGUFYEW](#) Compact Cassette Grille
- [UTRYDZB](#) Air Outlet Shutter Plate for Compact Cassette
- [UTZVXAA](#) Fresh Air Intake Kit for Compact Cassette
- [UTYRNRZY5](#) Touch Screen Remote Controller
- [UTYRCRYZ1](#) Compact Simple Remote controller
- [UTYRSRY](#) Simple Remote Controller (with Master Control)
- [UTYRHRY](#) Simple Remote Controller (without Master Control)
- [UTYLNHY](#) Wireless Remote Controller
- [UTYTF SXZ1](#) Wireless LAN interface

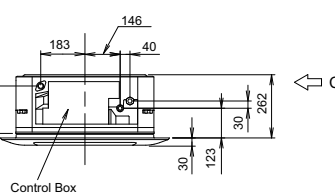
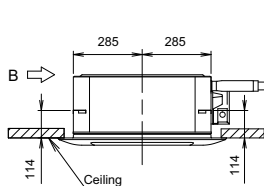
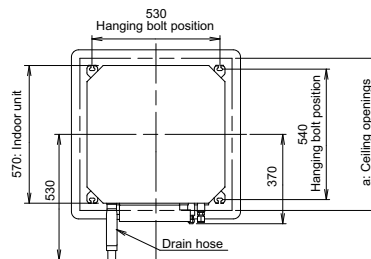
Grid type grille



Standard type grille



View A



\*Specifications and design are subject to change without notice for further improvement.

\*Actual products' colors may be different from the colors shown in this printed material.

### AUXB024GLEH

Please visit our webstore for full product and technical documentation 

Unit Type	Compact Cassette	
Remote Controller	Option	
Nominal Cooling Capacity (kW)	7.1	
UK Total Cooling Capacity (kW)	5.3	
UK Sensible Cooling Capacity (kW)	4.4	
Nominal Heating Capacity (kW)	7.4	
UK Heating Capacity (kW)	8.0	
Height (mm)	245	
Width (mm)	570	
Depth (mm)	570	
Weight (kg)	17	
Grille	UTGUFYEW	
Grille Dimensions (HxWxD) (mm)	50 x 620 x 620	
Grille Weight (kg)	2.3	
Airflow Rate - Cooling - High (m3/h)	1030	
Sound Pressure Level - Cooling - High (dB(A))	50	
Sound Pressure Level - Cooling - Low (dB(A))	35	
Refrigerant Type (Global Warming Potential)	R410A (2,088)	
Liquid Pipe Size	3/8"	
Gas Pipe Size	1/2"	
Unit Power Supply	1Ph-230V-50Hz	



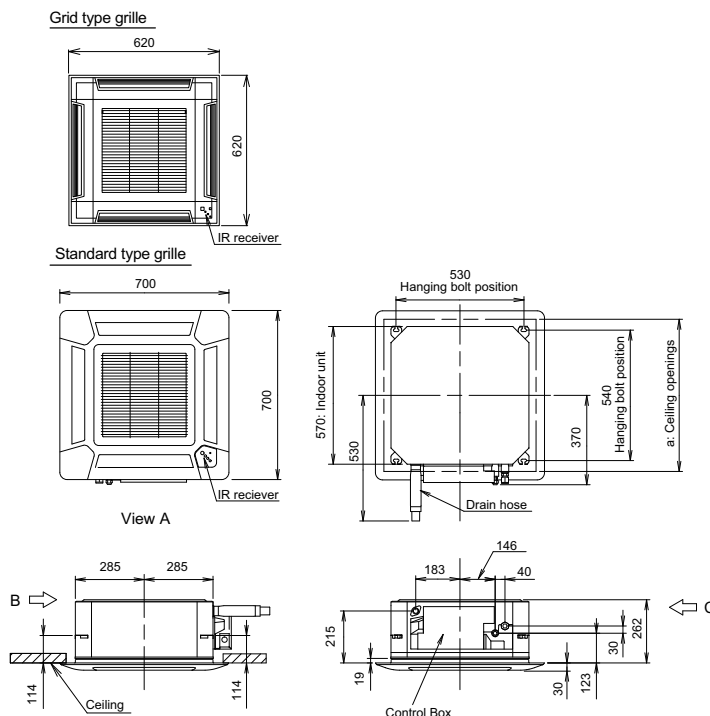
#### Document Downloads

- [Air Distribution](#)
- [Airflow](#)
- [Cooling Capacity](#)
- [Dimensional Drawing](#)
- [Electrical Characteristics](#)
- [Heating Capacity](#)
- [Installation Manual](#)
- [Noise Curve](#)
- [Operation Manual](#)

- [Product Image](#)
- [Spare Parts List All Pages](#)
- [Specifications](#)
- [Wiring Diagram](#)

#### Related Items

- [UTGUFYEW](#) Compact Cassette Grille
- [UTRYDZB](#) Air Outlet Shutter Plate for Compact Cassette
- [UTZVXAA](#) Fresh Air Intake Kit for Compact Cassette
- [UTYRNRZ5](#) Touch Screen Remote Controller
- [UTYRCRYZ1](#) Compact Simple Remote controller
- [UTYRSRY](#) Simple Remote Controller (with Master Control)
- [UTYRHRY](#) Simple Remote Controller (without Master Control)
- [UTYLNHY](#) Wireless Remote Controller
- [UTYTF SXZ1](#) Wireless LAN interface



\*Specifications and design are subject to change without notice for further improvement.  
 •Actual products' colors may be different from the colors shown in this printed material.

# AUXD18GALH

Please visit our [webstore](#) for full product and technical documentation

Unit Type	4 Way Cassette	
Remote Controller	Option	
Nominal Cooling Capacity (kW)		5.6
UK Total Cooling Capacity (kW)		
UK Sensible Cooling Capacity (kW)		
Nominal Heating Capacity (kW)		
UK Heating Capacity (kW)		6.3
Height (mm)		246
Width (mm)		840
Depth (mm)		840
Weight (kg)		22
Grille	UTGUGYAW	
Grille Dimensions (HxWxD) (mm)		50 x 950 x 950
Grille Weight (kg)		5.5
Airflow Rate - Cooling - High (m3/h)		1150
Sound Pressure Level - Cooling - High (dB(A))		36
Sound Pressure Level - Cooling - Low (dB(A))		29
Refrigerant Type (Global Warming Potential)	R410A (2,088)	
Liquid Pipe Size	3/8"	
Gas Pipe Size	5/8"	
Unit Power Supply	1Ph-230V-50Hz	

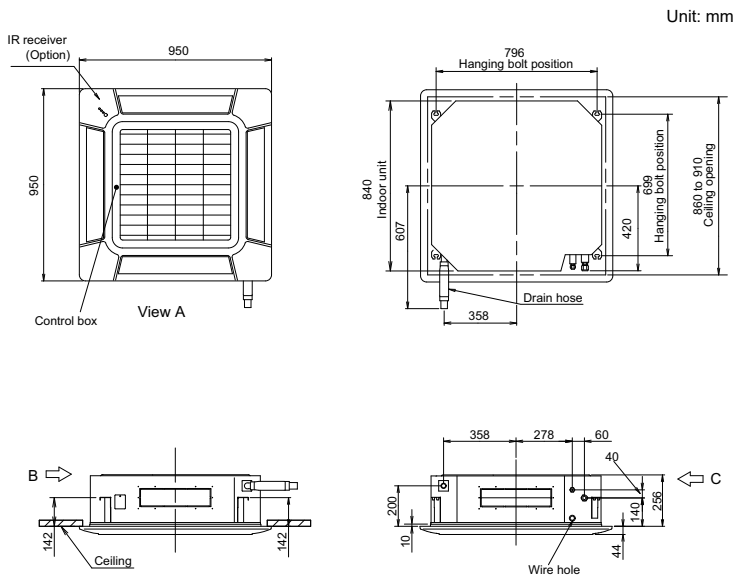


**Document Downloads**

- [Air Distribution](#)
- [Airflow](#)
- [Cooling Capacity](#)
- [Dimensional Drawing](#)
- [Electrical Characteristics](#)
- [Heating Capacity](#)
- [Installation Manual](#)
- [Noise Curve](#)
- [Operation Manual](#)
- [Product Image](#)
- [Spare Parts List All Pages](#)
- [Specifications](#)
- [Wiring Diagram](#)

**Related Items**

- [UTGUGYAW](#) 4 Way Cassette Grille
- [UTRYDZC](#) Air Outlet Shutter Plate
- [UTYRNRYZ5](#) Touch Screen Remote Controller
- [UTYRCRYZ1](#) Compact Simple Remote controller
- [UTYRSRY](#) Simple Remote Controller (with Master Control)
- [UTYRHRY](#) Simple Remote Controller (without Master Control)
- [UTYLNHY](#) Wireless Remote Controller
- [UTYTF SXZ1](#) Wireless LAN interface
- [UTYL RHYB1](#) IR Receiver Kit for 4way Cassette



\*Specifications and design are subject to change without notice for further improvement.  
 •Actual products' colors may be different from the colors shown in this printed material.

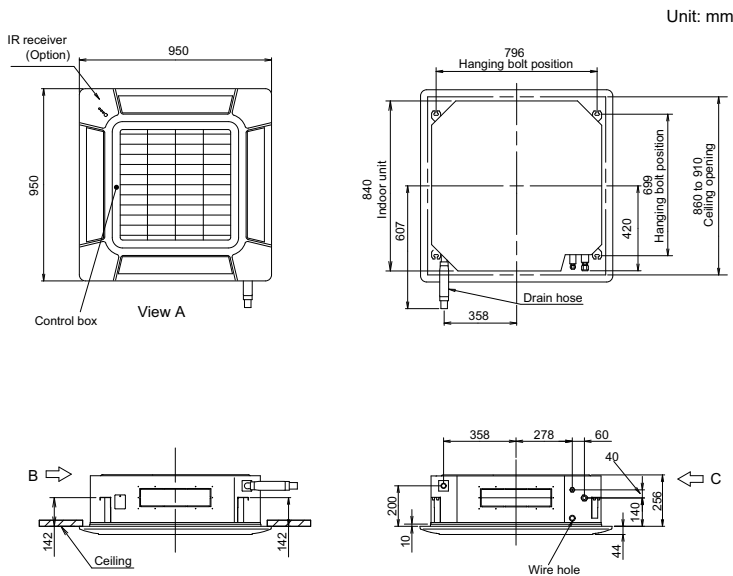
### AUXD24GALH

Please visit our [webstore](#) for full product and technical documentation 

Unit Type	4 Way Cassette	
Remote Controller	Option	
Nominal Cooling Capacity (kW)		7.1
UK Total Cooling Capacity (kW)		
UK Sensible Cooling Capacity (kW)		
Nominal Heating Capacity (kW)		
UK Heating Capacity (kW)		8.0
Height (mm)		246
Width (mm)		840
Depth (mm)		840
Weight (kg)		22
Grille	UTGUGYAW	
Grille Dimensions (HxWxD) (mm)		50 x 950 x 950
Grille Weight (kg)		5.5
Airflow Rate - Cooling - High (m3/h)		1280
Sound Pressure Level - Cooling - High (dB(A))		38
Sound Pressure Level - Cooling - Low (dB(A))		29
Refrigerant Type (Global Warming Potential)	R410A (2,088)	
Liquid Pipe Size	3/8"	
Gas Pipe Size	5/8"	
Unit Power Supply	1Ph-230V-50Hz	



#### Document Downloads

[Air Distribution](#)
[Airflow](#)
[Cooling Capacity](#)
[Dimensional Drawing](#)
[Electrical Characteristics](#)
[Heating Capacity](#)
[Installation Manual](#)
[Noise Curve](#)
[Operation Manual](#)
[Product Image](#)
[Spare Parts List All Pages](#)
[Specifications](#)
[Wiring Diagram](#)


#### Related Items

[UTGUGYAW](#)
[UTRYDZC](#)
[UTYRNRYZ5](#)
[UTYRCRYZ1](#)
[UTYRSRY](#)
[UTYRHRY](#)
[UTYLNHY](#)
[UTYTF SXZ1](#)
[UTYL RHYB1](#)

4 Way Cassette Grille

Air Outlet Shutter Plate

Touch Screen Remote Controller

Compact Simple Remote controller

Simple Remote Controller (with Master Control)

Simple Remote Controller (without Master Control)

Wireless Remote Controller

Wireless LAN interface

IR Receiver Kit for 4way Cassette

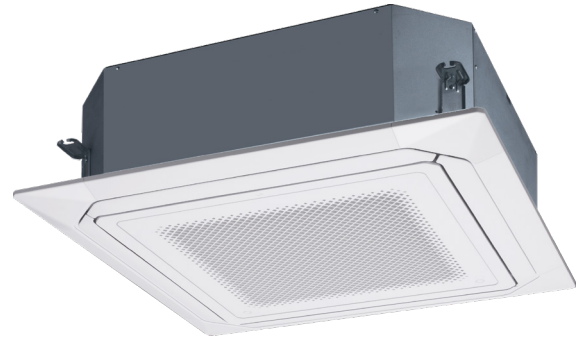
\*Specifications and design are subject to change without notice for further improvement.

\*Actual products' colors may be different from the colors shown in this printed material.

### AUXK018GLEH

Please visit our [webstore](#) for full product and technical documentation 

Unit Type	Circular Flow Cassette	
Remote Controller	Option	
Nominal Cooling Capacity (kW)	5.6	
UK Total Cooling Capacity (kW)	4.2	
UK Sensible Cooling Capacity (kW)	3.3	
Nominal Heating Capacity (kW)	5.9	
UK Heating Capacity (kW)	6.3	
Height (mm)	288	
Width (mm)	840	
Depth (mm)	840	
Weight (kg)	26.5	
Grille	UTGUKYCW	
Grille Dimensions (HxWxD) (mm)	53 x 950 x 950	
Grille Weight (kg)	6	
Airflow Rate - Cooling - High (m3/h)	1420	
Sound Pressure Level - Cooling - High (dB(A))	38	
Sound Pressure Level - Cooling - Low (dB(A))	34	
Refrigerant Type (Global Warming Potential)	R410A (2,088)	
Liquid Pipe Size	1/4"	
Gas Pipe Size	1/2"	
Unit Power Supply	1Ph-230V-50Hz	

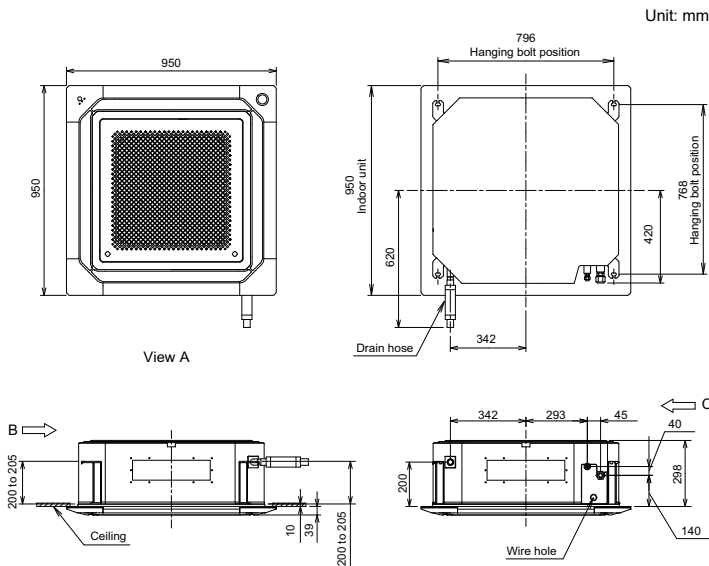


#### Document Downloads

- [Air Distribution](#)
- [Airflow](#)
- [Cooling Capacity](#)
- [Dimensional Drawing](#)
- [Electrical Characteristics](#)
- [Heating Capacity](#)
- [Installation Manual](#)
- [Noise Curve](#)
- [Operation Manual](#)
- [Product Image](#)
- [Spare Parts List All Pages](#)
- [Specifications](#)
- [Wiring Diagram](#)

#### Related Items

- [UTGUKYCW](#) 360 Cassette Grille
- [UTZVXRA](#) Fresh Air Intake Kit for Cassette
- [UTYRNRYZ5](#) Touch Screen Remote Controller
- [UTYRCRYZ1](#) Compact Simple Remote controller
- [UTYRSRY](#) Simple Remote Controller (with Master Control)
- [UTYRHRY](#) Simple Remote Controller (without Master Control)
- [UTYLNHY](#) Wireless Remote Controller
- [UTYTF SXZ1](#) Wireless LAN interface
- [UTYSHZXC](#) Human Sensor for Circular Flow Cassette
- [UTYLBH XD](#) IR Receiver Kit for Circular Flow Cassette



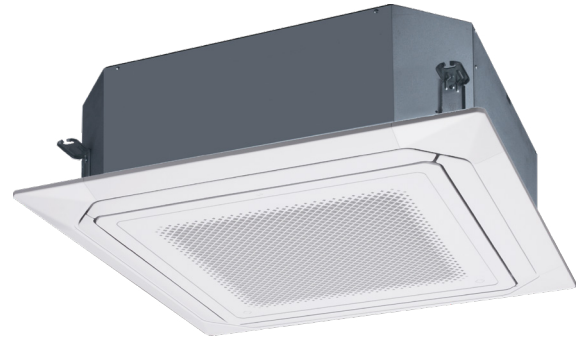
\*Specifications and design are subject to change without notice for further improvement.  
 •Actual products' colors may be different from the colors shown in this printed material.



### AUXK024GLEH

Please visit our webstore for full product and technical documentation 

Unit Type	Circular Flow Cassette	
Remote Controller	Option	
Nominal Cooling Capacity (kW)	7.1	
UK Total Cooling Capacity (kW)	5.3	
UK Sensible Cooling Capacity (kW)	4.4	
Nominal Heating Capacity (kW)	7.4	
UK Heating Capacity (kW)	8.0	
Height (mm)	288	
Width (mm)	840	
Depth (mm)	840	
Weight (kg)	26.5	
Grille	UTGUKYCW	
Grille Dimensions (HxWxD) (mm)	53 x 950 x 950	
Grille Weight (kg)	6	
Airflow Rate - Cooling - High (m <sup>3</sup> /h)	1420	
Sound Pressure Level - Cooling - High (dB(A))	38	
Sound Pressure Level - Cooling - Low (dB(A))	34	
Refrigerant Type (Global Warming Potential)	R410A (2,088)	
Liquid Pipe Size	3/8"	
Gas Pipe Size	5/8"	
Unit Power Supply	1Ph-230V-50Hz	



#### Document Downloads

[Air Distribution](#)
[Airflow](#)
[Cooling Capacity](#)
[Dimensional Drawing](#)
[Electrical Characteristics](#)
[Heating Capacity](#)
[Installation Manual](#)
[Noise Curve](#)
[Operation Manual](#)
[Product Image](#)
[Spare Parts List All Pages](#)
[Specifications](#)
[Wiring Diagram](#)

#### Related Items

[UTGUKYCW](#)
[UTZVXRA](#)
[UTYRNRYZ5](#)
[UTYRCRYZ1](#)
[UTYRSRY](#)
[UTYRHRY](#)
[UTYLNHY](#)
[UTYTF SXZ1](#)
[UTYSHZXC](#)
[UTYLBHXD](#)

360 Cassette Grille

Fresh Air Intake Kit for Cassette

Touch Screen Remote Controller

Compact Simple Remote controller

Simple Remote Controller (with Master Control)

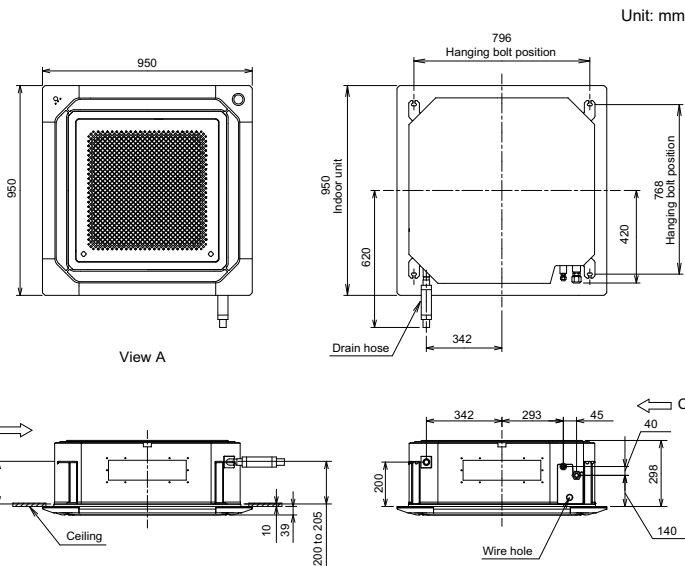
Simple Remote Controller (without Master Control)

Wireless Remote Controller

Wireless LAN interface

Human Sensor for Circular Flow Cassette

IR Receiver Kit for Circular Flow Cassette



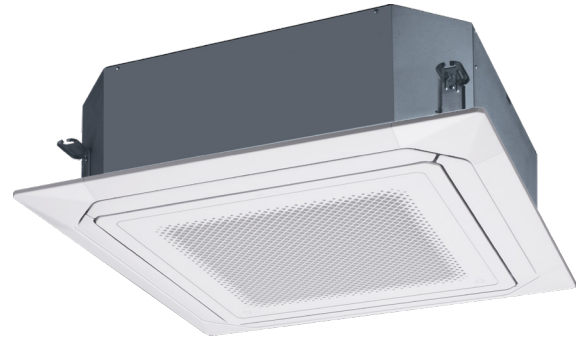
\*Specifications and design are subject to change without notice for further improvement.

\*Actual products' colors may be different from the colors shown in this printed material.

### AUXK030GLEH

Please visit our webstore for full product and technical documentation 

Unit Type	Circular Flow Cassette	
Remote Controller	Option	
Nominal Cooling Capacity (kW)	9.0	
UK Total Cooling Capacity (kW)	6.7	
UK Sensible Cooling Capacity (kW)	5.3	
Nominal Heating Capacity (kW)	9.3	
UK Heating Capacity (kW)	10.0	
Height (mm)	288	
Width (mm)	840	
Depth (mm)	840	
Weight (kg)	29.5	
Grille	UTGUKYCW	
Grille Dimensions (HxWxD) (mm)	53 x 950 x 950	
Grille Weight (kg)	6	
Airflow Rate - Cooling - High (m3/h)	1440	
Sound Pressure Level - Cooling - High (dB(A))	39	
Sound Pressure Level - Cooling - Low (dB(A))	35	
Refrigerant Type (Global Warming Potential)	R410A (2,088)	
Liquid Pipe Size	3/8"	
Gas Pipe Size	5/8"	
Unit Power Supply	1Ph-230V-50Hz	

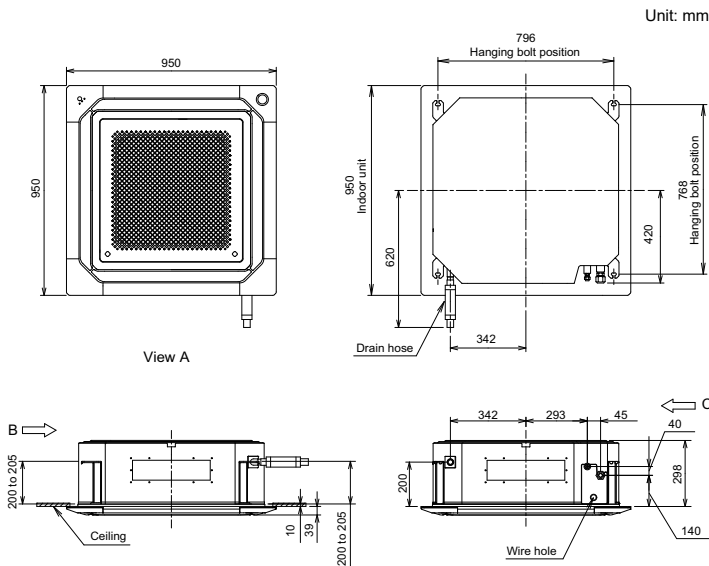


#### Document Downloads

- [Air Distribution](#)
- [Airflow](#)
- [Cooling Capacity](#)
- [Dimensional Drawing](#)
- [Electrical Characteristics](#)
- [Heating Capacity](#)
- [Installation Manual](#)
- [Noise Curve](#)
- [Operation Manual](#)
- [Product Image](#)
- [Spare Parts List All Pages](#)
- [Specifications](#)
- [Wiring Diagram](#)

#### Related Items

- [UTGUKYCW](#) 360 Cassette Grille
- [UTZVXRA](#) Fresh Air Intake Kit for Cassette
- [UTYRNRYZ5](#) Touch Screen Remote Controller
- [UTYRCRYZ1](#) Compact Simple Remote controller
- [UTYRSRY](#) Simple Remote Controller (with Master Control)
- [UTYRHRY](#) Simple Remote Controller (without Master Control)
- [UTYLNHY](#) Wireless Remote Controller
- [UTYTF SXZ1](#) Wireless LAN interface
- [UTYSHZXC](#) Human Sensor for Circular Flow Cassette
- [UTYLBH XD](#) IR Receiver Kit for Circular Flow Cassette

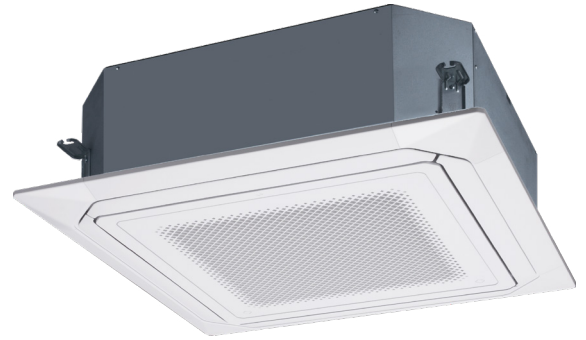


\*Specifications and design are subject to change without notice for further improvement.  
 •Actual products' colors may be different from the colors shown in this printed material.

### AUXK034GLEH

Please visit our webstore for full product and technical documentation 

Unit Type	Circular Flow Cassette	
Remote Controller	Option	
Nominal Cooling Capacity (kW)		10.0
UK Total Cooling Capacity (kW)		7.4
UK Sensible Cooling Capacity (kW)		5.9
Nominal Heating Capacity (kW)		10.4
UK Heating Capacity (kW)		11.2
Height (mm)		288
Width (mm)		840
Depth (mm)		840
Weight (kg)		29.5
Grille	UTGUKYCW	
Grille Dimensions (HxWxD) (mm)		53 x 950 x 950
Grille Weight (kg)		6
Airflow Rate - Cooling - High (m3/h)		1440
Sound Pressure Level - Cooling - High (dB(A))		39
Sound Pressure Level - Cooling - Low (dB(A))		35
Refrigerant Type (Global Warming Potential)	R410A (2,088)	
Liquid Pipe Size	3/8"	
Gas Pipe Size	5/8"	
Unit Power Supply	1Ph-230V-50Hz	



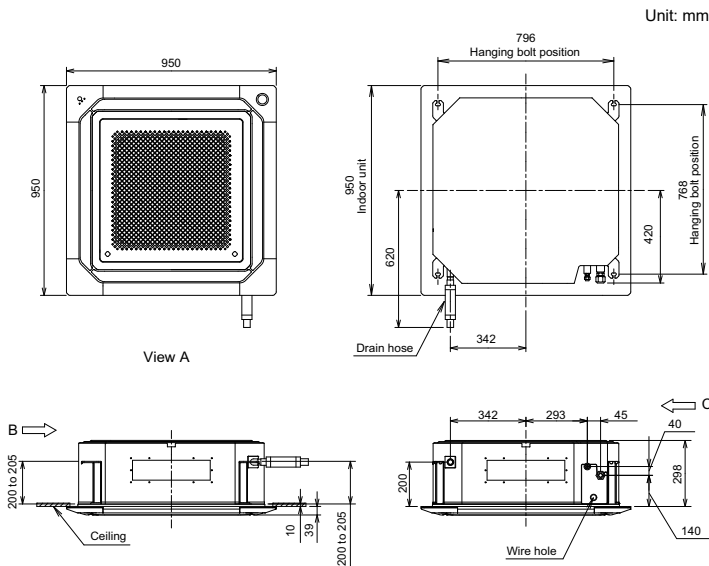
#### Document Downloads

- [Air Distribution](#)
- [Airflow](#)
- [Cooling Capacity](#)
- [Dimensional Drawing](#)
- [Electrical Characteristics](#)
- [Heating Capacity](#)
- [Installation Manual](#)
- [Noise Curve](#)
- [Operation Manual](#)

- [Product Image](#)
- [Spare Parts List All Pages](#)
- [Specifications](#)
- [Wiring Diagram](#)

#### Related Items

- [UTGUKYCW](#) 360 Cassette Grille
- [UTZVXRA](#) Fresh Air Intake Kit for Cassette
- [UTYRNRYZ5](#) Touch Screen Remote Controller
- [UTYRCRYZ1](#) Compact Simple Remote controller
- [UTYRSRY](#) Simple Remote Controller (with Master Control)
- [UTYRHRY](#) Simple Remote Controller (without Master Control)
- [UTYLNHY](#) Wireless Remote Controller
- [UTYTF SXZ1](#) Wireless LAN interface
- [UTYSHZXC](#) Human Sensor for Circular Flow Cassette
- [UTYLBH XD](#) IR Receiver Kit for Circular Flow Cassette

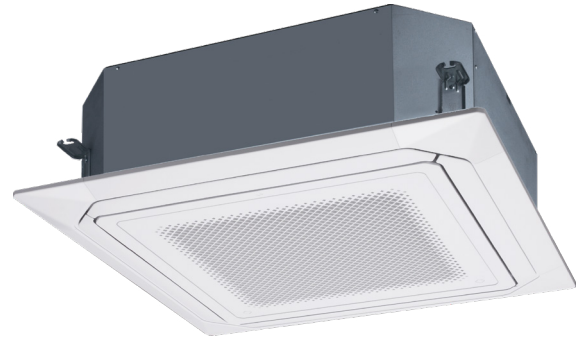


\*Specifications and design are subject to change without notice for further improvement.  
 •Actual products' colors may be different from the colors shown in this printed material.

### AUXK036GLEH

Please visit our [webstore](#) for full product and technical documentation 

Unit Type	Circular Flow Cassette	
Remote Controller	Option	
Nominal Cooling Capacity (kW)		11.2
UK Total Cooling Capacity (kW)		8.3
UK Sensible Cooling Capacity (kW)		6.7
Nominal Heating Capacity (kW)		11.6
UK Heating Capacity (kW)		12.5
Height (mm)		288
Width (mm)		840
Depth (mm)		840
Weight (kg)		29.5
Grille	UTGUKYCW	
Grille Dimensions (HxWxD) (mm)		53 x 950 x 950
Grille Weight (kg)		6
Airflow Rate - Cooling - High (m3/h)		1620
Sound Pressure Level - Cooling - High (dB(A))		41
Sound Pressure Level - Cooling - Low (dB(A))		36
Refrigerant Type (Global Warming Potential)	R410A (2,088)	
Liquid Pipe Size	3/8"	
Gas Pipe Size	5/8"	
Unit Power Supply	1Ph-230V-50Hz	



#### Document Downloads

[Air Distribution](#)
[Airflow](#)
[Cooling Capacity](#)
[Dimensional Drawing](#)
[Electrical Characteristics](#)
[Heating Capacity](#)
[Installation Manual](#)
[Noise Curve](#)
[Operation Manual](#)
[Product Image](#)
[Spare Parts List All Pages](#)
[Specifications](#)
[Wiring Diagram](#)

#### Related Items

[UTGUKYCW](#)
[UTZVXRA](#)
[UTYRNRYZ5](#)
[UTYRCRYZ1](#)
[UTYRSRY](#)
[UTYRHRY](#)
[UTYLNHY](#)
[UTYTF SXZ1](#)
[UTYSHZXC](#)
[UTYLBH XD](#)

360 Cassette Grille

Fresh Air Intake Kit for Cassette

Touch Screen Remote Controller

Compact Simple Remote controller

Simple Remote Controller (with Master Control)

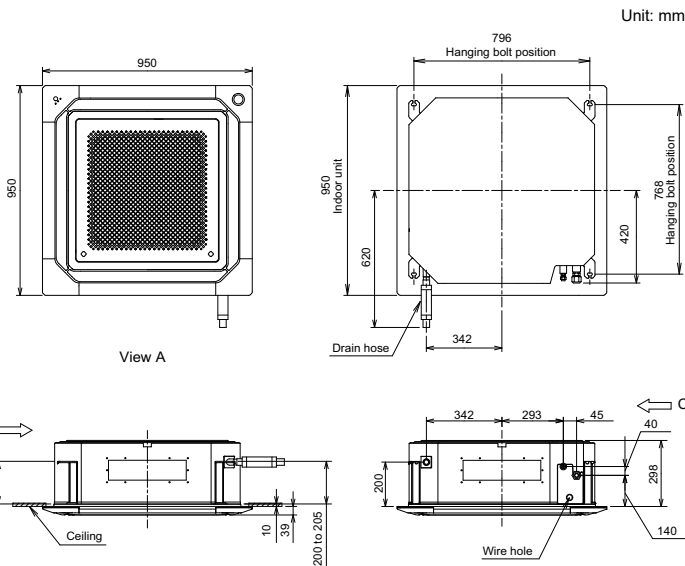
Simple Remote Controller (without Master Control)

Wireless Remote Controller

Wireless LAN interface

Human Sensor for Circular Flow Cassette

IR Receiver Kit for Circular Flow Cassette



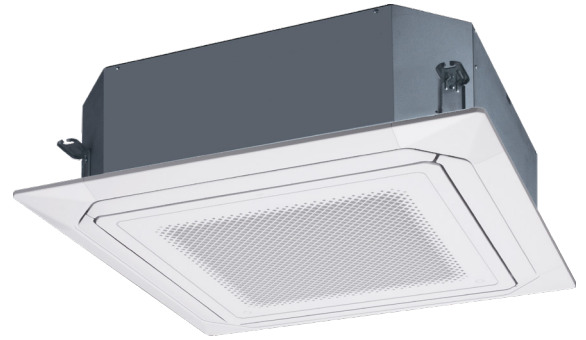
\*Specifications and design are subject to change without notice for further improvement.

\*Actual products' colors may be different from the colors shown in this printed material.

### AUXK045GLEH

Please visit our [webstore](#) for full product and technical documentation 

Unit Type	Circular Flow Cassette	
Remote Controller	Option	
Nominal Cooling Capacity (kW)	12.5	
UK Total Cooling Capacity (kW)	9.3	
UK Sensible Cooling Capacity (kW)	7.6	
Nominal Heating Capacity (kW)	13.0	
UK Heating Capacity (kW)	14.0	
Height (mm)	288	
Width (mm)	840	
Depth (mm)	840	
Weight (kg)	29.5	
Grille	UTGUKYCW	
Grille Dimensions (HxWxD) (mm)	53 x 950 x 950	
Grille Weight (kg)	6	
Airflow Rate - Cooling - High (m3/h)	1820	
Sound Pressure Level - Cooling - High (dB(A))	44	
Sound Pressure Level - Cooling - Low (dB(A))	36	
Refrigerant Type (Global Warming Potential)	R410A (2,088)	
Liquid Pipe Size	3/8"	
Gas Pipe Size	5/8"	
Unit Power Supply	1Ph-230V-50Hz	



#### Document Downloads

[Air Distribution](#)
[Airflow](#)
[Cooling Capacity](#)
[Dimensional Drawing](#)
[Electrical Characteristics](#)
[Heating Capacity](#)
[Installation Manual](#)
[Noise Curve](#)
[Operation Manual](#)
[Product Image](#)
[Spare Parts List All Pages](#)
[Specifications](#)
[Wiring Diagram](#)

#### Related Items

[UTGUKYCW](#)
[UTZVXRA](#)
[UTYRNRZ5](#)
[UTYRCRYZ1](#)
[UTYRSRY](#)
[UTYRHRY](#)
[UTYLNHY](#)
[UTYTF SXZ1](#)
[UTYSHZXC](#)
[UTYLBH XD](#)

360 Cassette Grille

Fresh Air Intake Kit for Cassette

Touch Screen Remote Controller

Compact Simple Remote controller

Simple Remote Controller (with Master Control)

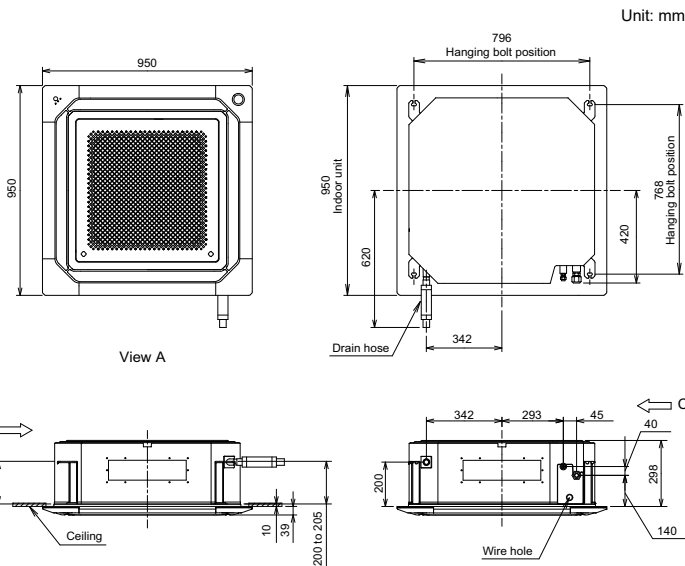
Simple Remote Controller (without Master Control)

Wireless Remote Controller

Wireless LAN interface

Human Sensor for Circular Flow Cassette

IR Receiver Kit for Circular Flow Cassette



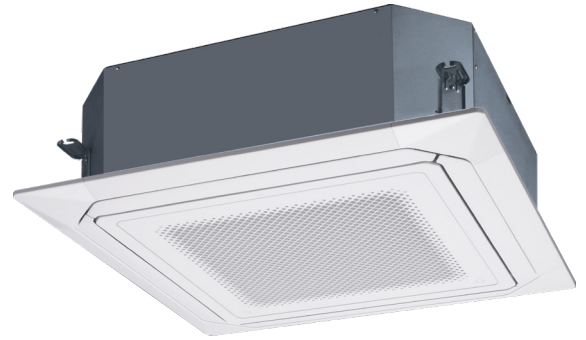
\*Specifications and design are subject to change without notice for further improvement.

\*Actual products' colors may be different from the colors shown in this printed material.

### AUXK054GLEH

Please visit our [webstore](#) for full product and technical documentation 

Unit Type	Circular Flow Cassette	
Remote Controller	Option	
Nominal Cooling Capacity (kW)		14.0
UK Total Cooling Capacity (kW)		10.4
UK Sensible Cooling Capacity (kW)		8.7
Nominal Heating Capacity (kW)		14.9
UK Heating Capacity (kW)		16.0
Height (mm)		288
Width (mm)		840
Depth (mm)		840
Weight (kg)		29.5
Grille	UTGUKYCW	
Grille Dimensions (HxWxD) (mm)		53 x 950 x 950
Grille Weight (kg)		6
Airflow Rate - Cooling - High (m3/h)		2040
Sound Pressure Level - Cooling - High (dB(A))		47
Sound Pressure Level - Cooling - Low (dB(A))		36
Refrigerant Type (Global Warming Potential)	R410A (2,088)	
Liquid Pipe Size	3/8"	
Gas Pipe Size	5/8"	
Unit Power Supply	1Ph-230V-50Hz	



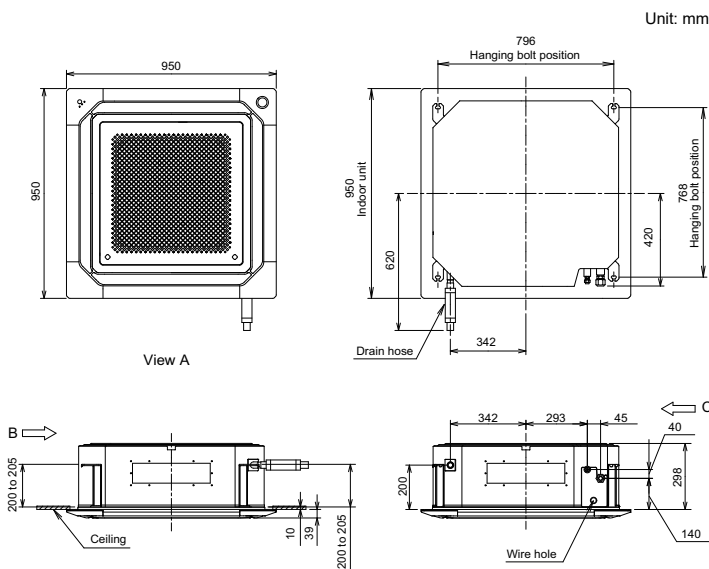
#### Document Downloads

- [Air Distribution](#)
- [Airflow](#)
- [Cooling Capacity](#)
- [Dimensional Drawing](#)
- [Electrical Characteristics](#)
- [Heating Capacity](#)
- [Installation Manual](#)
- [Noise Curve](#)
- [Operation Manual](#)

- [Product Image](#)
- [Spare Parts List All Pages](#)
- [Specifications](#)
- [Wiring Diagram](#)

#### Related Items

- [UTGUKYCW](#) 360 Cassette Grille
- [UTZVXRA](#) Fresh Air Intake Kit for Cassette
- [UTYRNRYZ5](#) Touch Screen Remote Controller
- [UTYRCRYZ1](#) Compact Simple Remote controller
- [UTYRSRY](#) Simple Remote Controller (with Master Control)
- [UTYRHRY](#) Simple Remote Controller (without Master Control)
- [UTYLNHY](#) Wireless Remote Controller
- [UTYTF SXZ1](#) Wireless LAN interface
- [UTYSHZXC](#) Human Sensor for Circular Flow Cassette
- [UTYLBH XD](#) IR Receiver Kit for Circular Flow Cassette



\*Specifications and design are subject to change without notice for further improvement.  
 •Actual products' colors may be different from the colors shown in this printed material.

### AUXV004GLEH

Please visit our webstore for full product and technical documentation 

Unit Type	One Way Cassette	
Remote Controller	Option	
Nominal Cooling Capacity (kW)	1.1	
UK Total Cooling Capacity (kW)	0.8	
UK Sensible Cooling Capacity (kW)	0.7	
Nominal Heating Capacity (kW)	1.2	
UK Heating Capacity (kW)	1.3	
Height (mm)	198	
Width (mm)	785	
Depth (mm)	570	
Weight (kg)	18	
Grille	UTGUNYAW	
Grille Dimensions (HxWxD) (mm)	43 x 950 x 620	
Grille Weight (kg)	6.5	
Airflow Rate - Cooling - High (m3/h)	460	
Sound Pressure Level - Cooling - High (dB(A))	38	
Sound Pressure Level - Cooling - Low (dB(A))	33	
Refrigerant Type (Global Warming Potential)	R410A (2,088)	
Liquid Pipe Size	1/4"	
Gas Pipe Size	3/8"	
Unit Power Supply	1Ph-230V-50Hz	



#### Document Downloads

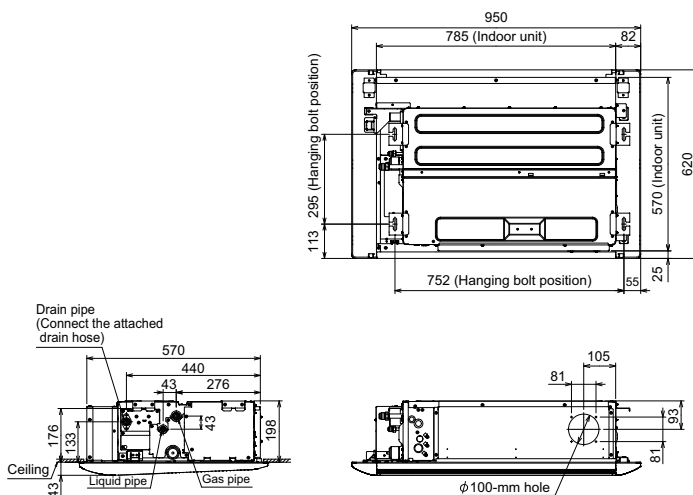
- [Air Distribution](#)
- [Airflow](#)
- [Controls & Accessories](#)
- [Dimensional Drawing](#)
- [Installation Manual](#)
- [Noise Curve](#)
- [Operation Manual](#)
- [Product Image](#)
- [Spare Parts List All Pages](#)

- [Specifications](#)
- [Wiring Diagram](#)

#### Related Items

- [UTGUNYAW](#) 1 Way Blow Cassette Grille (size 4 to 12 IU's)
- [UTYRNRYZ5](#) Touch Screen Remote Controller
- [UTYRCRYZ1](#) Compact Simple Remote controller
- [UTYRSRY](#) Simple Remote Controller (with Master Control)
- [UTYRHY](#) Simple Remote Controller (without Master Control)
- [UTYLNHY](#) Wireless Remote Controller

Unit: mm



\*Specifications and design are subject to change without notice for further improvement.  
 •Actual products' colors may be different from the colors shown in this printed material.

### AUXV007GLEH

Please visit our webstore for full product and technical documentation 

Unit Type	One Way Cassette	
Remote Controller	Option	
Nominal Cooling Capacity (kW)		2.2
UK Total Cooling Capacity (kW)		1.6
UK Sensible Cooling Capacity (kW)		1.4
Nominal Heating Capacity (kW)		2.6
UK Heating Capacity (kW)		2.8
Height (mm)		198
Width (mm)		785
Depth (mm)		570
Weight (kg)		19
Grille	UTGUNYAW	
Grille Dimensions (HxWxD) (mm)	43 x 950 x 620	
Grille Weight (kg)	6.5	
Airflow Rate - Cooling - High (m3/h)	550	
Sound Pressure Level - Cooling - High (dB(A))	42	
Sound Pressure Level - Cooling - Low (dB(A))	33	
Refrigerant Type (Global Warming Potential)	R410A (2,088)	
Liquid Pipe Size	1/4"	
Gas Pipe Size	3/8"	
Unit Power Supply	1Ph-230V-50Hz	



#### Document Downloads

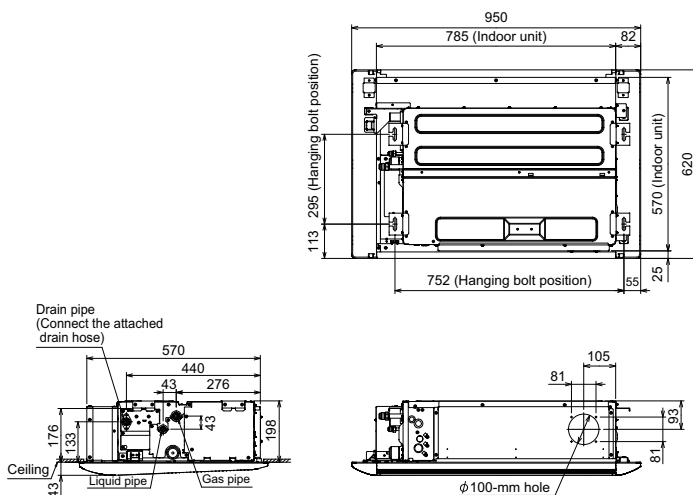
- [Air Distribution](#)
- [Airflow](#)
- [Controls & Accessories](#)
- [Dimensional Drawing](#)
- [Installation Manual](#)
- [Noise Curve](#)
- [Operation Manual](#)
- [Product Image](#)
- [Spare Parts List All Pages](#)

- [Specifications](#)
- [Wiring Diagram](#)

#### Related Items

- [UTGUNYAW](#) 1 Way Blow Cassette Grille (size 4 to 12 IU's)
- [UTYRNRYZ5](#) Touch Screen Remote Controller
- [UTYRCRYZ1](#) Compact Simple Remote controller
- [UTYRSRY](#) Simple Remote Controller (with Master Control)
- [UTYRHY](#) Simple Remote Controller (without Master Control)
- [UTYLNHY](#) Wireless Remote Controller

Unit: mm



\*Specifications and design are subject to change without notice for further improvement.  
 •Actual products' colors may be different from the colors shown in this printed material.



### AUXV009GLEH

Please visit our webstore for full product and technical documentation 

Unit Type	One Way Cassette	
Remote Controller	Option	
Nominal Cooling Capacity (kW)		2.8
UK Total Cooling Capacity (kW)		2.1
UK Sensible Cooling Capacity (kW)		1.8
Nominal Heating Capacity (kW)		3.0
UK Heating Capacity (kW)		3.2
Height (mm)		198
Width (mm)		785
Depth (mm)		570
Weight (kg)		19
Grille	UTGUNYAW	
Grille Dimensions (HxWxD) (mm)	43 x 950 x 620	
Grille Weight (kg)	6.5	
Airflow Rate - Cooling - High (m3/h)	550	
Sound Pressure Level - Cooling - High (dB(A))	42	
Sound Pressure Level - Cooling - Low (dB(A))	33	
Refrigerant Type (Global Warming Potential)	R410A (2,088)	
Liquid Pipe Size	1/4"	
Gas Pipe Size	3/8"	
Unit Power Supply	1Ph-230V-50Hz	



#### Document Downloads

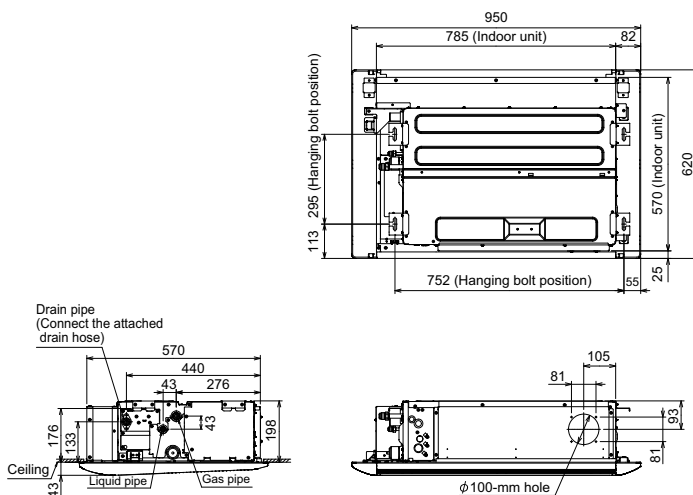
- [Air Distribution](#)
- [Airflow](#)
- [Controls & Accessories](#)
- [Dimensional Drawing](#)
- [Installation Manual](#)
- [Noise Curve](#)
- [Operation Manual](#)
- [Product Image](#)
- [Spare Parts List All Pages](#)

- [Specifications](#)
- [Wiring Diagram](#)

#### Related Items

- [UTGUNYAW](#) 1 Way Blow Cassette Grille (size 4 to 12 IU's)
- [UTYRNRYZ5](#) Touch Screen Remote Controller
- [UTYRCRYZ1](#) Compact Simple Remote controller
- [UTYRSRY](#) Simple Remote Controller (with Master Control)
- [UTYRHRY](#) Simple Remote Controller (without Master Control)
- [UTYLNHY](#) Wireless Remote Controller

Unit: mm



\*Specifications and design are subject to change without notice for further improvement.  
 •Actual products' colors may be different from the colors shown in this printed material.

### AUXV012GLEH

Please visit our webstore for full product and technical documentation 

Unit Type	One Way Cassette	
Remote Controller	Option	
Nominal Cooling Capacity (kW)		3.6
UK Total Cooling Capacity (kW)		2.7
UK Sensible Cooling Capacity (kW)		2.2
Nominal Heating Capacity (kW)		3.8
UK Heating Capacity (kW)		4.0
Height (mm)		198
Width (mm)		785
Depth (mm)		570
Weight (kg)		19
Grille	UTGUNYAW	
Grille Dimensions (HxWxD) (mm)	43 x 950 x 620	
Grille Weight (kg)	6.5	
Airflow Rate - Cooling - High (m3/h)	670	
Sound Pressure Level - Cooling - High (dB(A))	45	
Sound Pressure Level - Cooling - Low (dB(A))	36	
Refrigerant Type (Global Warming Potential)	R410A (2,088)	
Liquid Pipe Size	1/4"	
Gas Pipe Size	1/2"	
Unit Power Supply	1Ph-230V-50Hz	



#### Document Downloads

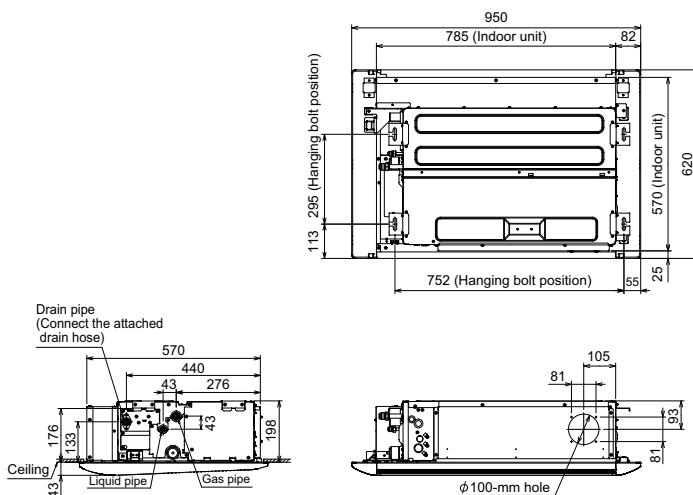
- [Air Distribution](#)
- [Airflow](#)
- [Controls & Accessories](#)
- [Dimensional Drawing](#)
- [Installation Manual](#)
- [Noise Curve](#)
- [Operation Manual](#)
- [Product Image](#)
- [Spare Parts List All Pages](#)

- [Specifications](#)
- [Wiring Diagram](#)

#### Related Items

- [UTGUNYAW](#) 1 Way Blow Cassette Grille (size 4 to 12 IU's)
- [UTYRNRYZ5](#) Touch Screen Remote Controller
- [UTYRCRYZ1](#) Compact Simple Remote controller
- [UTYRSRY](#) Simple Remote Controller (with Master Control)
- [UTYRHY](#) Simple Remote Controller (without Master Control)
- [UTYLNHY](#) Wireless Remote Controller

Unit: mm



\*Specifications and design are subject to change without notice for further improvement.  
 •Actual products' colors may be different from the colors shown in this printed material.

### AUXV014GLEH

Please visit our webstore for full product and technical documentation 

Unit Type	One Way Cassette	
Remote Controller	Option	
Nominal Cooling Capacity (kW)	4.5	
UK Total Cooling Capacity (kW)	3.3	
UK Sensible Cooling Capacity (kW)	2.7	
Nominal Heating Capacity (kW)	4.7	
UK Heating Capacity (kW)	5.0	
Height (mm)	198	
Width (mm)	1190	
Depth (mm)	570	
Weight (kg)	26	
Grille	UTGUNYBW	
Grille Dimensions (HxWxD) (mm)	43 x 950 x 620	
Grille Weight (kg)	6.5	
Airflow Rate - Cooling - High (m3/h)	720	
Sound Pressure Level - Cooling - High (dB(A))	37	
Sound Pressure Level - Cooling - Low (dB(A))	33	
Refrigerant Type (Global Warming Potential)	R410A (2,088)	
Liquid Pipe Size	1/4"	
Gas Pipe Size	1/2"	
Unit Power Supply	1Ph-230V-50Hz	



#### Document Downloads

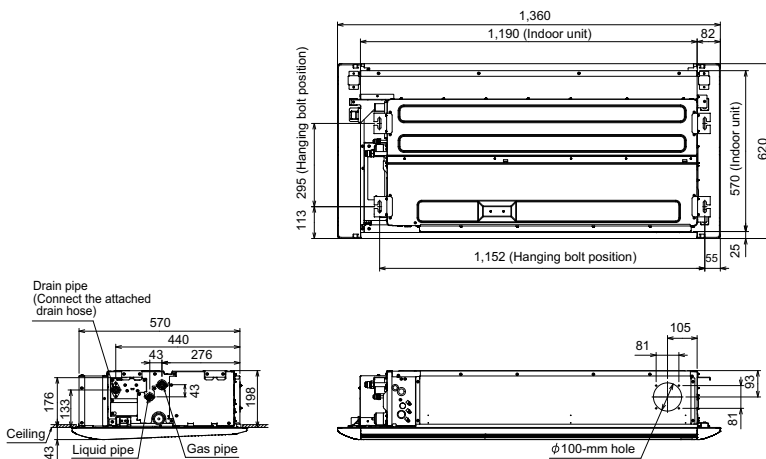
- [Air Distribution](#)
- [Airflow](#)
- [Controls & Accessories](#)
- [Dimensional Drawing](#)
- [Installation Manual](#)
- [Noise Curve](#)
- [Operation Manual](#)
- [Product Image](#)
- [Spare Parts List All Pages](#)

- [Specifications](#)
- [Wiring Diagram](#)

#### Related Items

- [UTGUNYBW](#) 1 Way Blow Cassette Grille (size 14 to 24 IU's)
- [UTYRNRZY5](#) Touch Screen Remote Controller
- [UTYRCRYZ1](#) Compact Simple Remote controller
- [UTYRSRY](#) Simple Remote Controller (with Master Control)
- [UTYRHRV](#) Simple Remote Controller (without Master Control)
- [UTYLNHY](#) Wireless Remote Controller

Unit: mm



\*Specifications and design are subject to change without notice for further improvement.  
 •Actual products' colors may be different from the colors shown in this printed material.

### AUXV018GLEH

Please visit our webstore for full product and technical documentation 

Unit Type	One Way Cassette	
Remote Controller	Option	
Nominal Cooling Capacity (kW)	5.6	
UK Total Cooling Capacity (kW)	4.2	
UK Sensible Cooling Capacity (kW)	3.4	
Nominal Heating Capacity (kW)	5.9	
UK Heating Capacity (kW)	6.3	
Height (mm)	198	
Width (mm)	1190	
Depth (mm)	570	
Weight (kg)	26	
Grille	UTGUNYBW	
Grille Dimensions (HxWxD) (mm)	43 x 1360 x 620	
Grille Weight (kg)	8.5	
Airflow Rate - Cooling - High (m3/h)	890	
Sound Pressure Level - Cooling - High (dB(A))	44	
Sound Pressure Level - Cooling - Low (dB(A))	36	
Refrigerant Type (Global Warming Potential)	R410A (2,088)	
Liquid Pipe Size	1/4"	
Gas Pipe Size	1/2"	
Unit Power Supply	1Ph-230V-50Hz	



#### Document Downloads

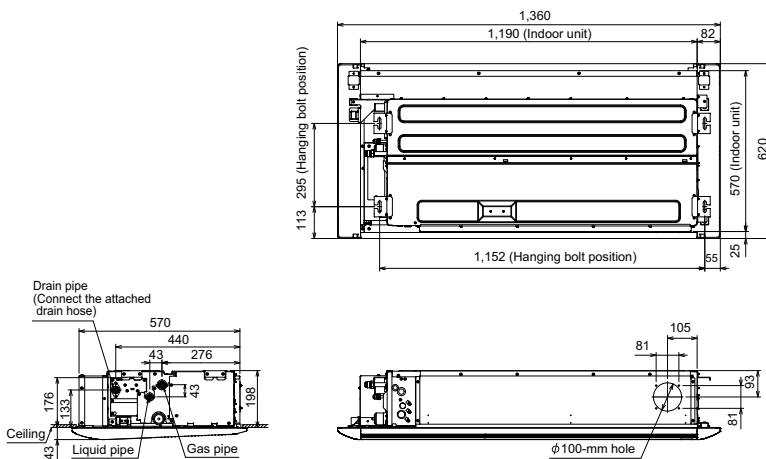
- [Air Distribution](#)
- [Airflow](#)
- [Controls & Accessories](#)
- [Dimensional Drawing](#)
- [Installation Manual](#)
- [Noise Curve](#)
- [Operation Manual](#)
- [Product Image](#)
- [Spare Parts List All Pages](#)

- [Specifications](#)
- [Wiring Diagram](#)

#### Related Items

- [UTGUNYBW](#) 1 Way Blow Cassette Grille (size 14 to 24 IU's)
- [UTYRNRZY5](#) Touch Screen Remote Controller
- [UTYRCRYZ1](#) Compact Simple Remote controller
- [UTYRSRY](#) Simple Remote Controller (with Master Control)
- [UTYRHRY](#) Simple Remote Controller (without Master Control)
- [UTYLNHY](#) Wireless Remote Controller

Unit: mm



\*Specifications and design are subject to change without notice for further improvement.  
 •Actual products' colors may be different from the colors shown in this printed material.

### AUXV024GLEH

Please visit our webstore for full product and technical documentation 

Unit Type	One Way Cassette	
Remote Controller	Option	
Nominal Cooling Capacity (kW)	7.1	
UK Total Cooling Capacity (kW)	5.3	
UK Sensible Cooling Capacity (kW)	4.5	
Nominal Heating Capacity (kW)	7.4	
UK Heating Capacity (kW)	8.0	
Height (mm)	198	
Width (mm)	1190	
Depth (mm)	570	
Weight (kg)	27	
Grille	UTGUNYBW	
Grille Dimensions (HxWxD) (mm)	43 x 1360 x 620	
Grille Weight (kg)	8.5	
Airflow Rate - Cooling - High (m3/h)	1150	
Sound Pressure Level - Cooling - High (dB(A))	49	
Sound Pressure Level - Cooling - Low (dB(A))	39	
Refrigerant Type (Global Warming Potential)	R410A (2,088)	
Liquid Pipe Size	3/8"	
Gas Pipe Size	5/8"	
Unit Power Supply	1Ph-230V-50Hz	



#### Document Downloads

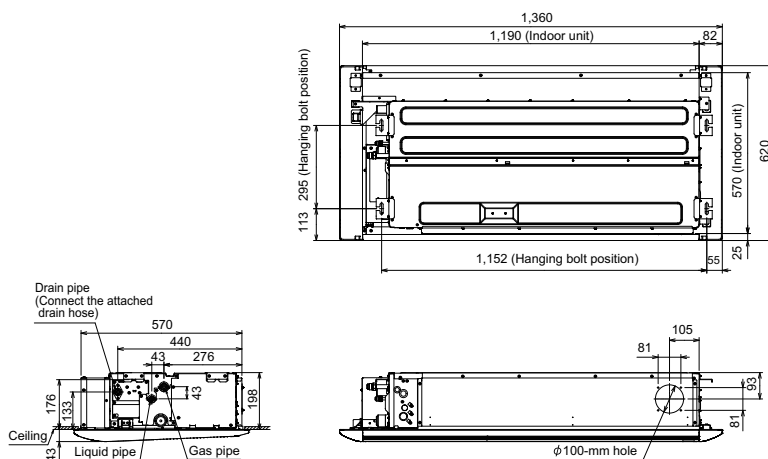
- [Air Distribution](#)
- [Airflow](#)
- [Controls & Accessories](#)
- [Dimensional Drawing](#)
- [Installation Manual](#)
- [Noise Curve](#)
- [Operation Manual](#)
- [Product Image](#)
- [Spare Parts List All Pages](#)

- [Specifications](#)
- [Wiring Diagram](#)

#### Related Items

- [UTGUNYBW](#) 1 Way Blow Cassette Grille (size 14 to 24 IU's)
- [UTYRNRZY5](#) Touch Screen Remote Controller
- [UTYRCRYZ1](#) Compact Simple Remote controller
- [UTYRSRY](#) Simple Remote Controller (with Master Control)
- [UTYRHRY](#) Simple Remote Controller (without Master Control)
- [UTYLNHY](#) Wireless Remote Controller

Unit: mm



\*Specifications and design are subject to change without notice for further improvement.  
 •Actual products' colors may be different from the colors shown in this printed material.

### ARXK004GLGH

Please visit our webstore for full product and technical documentation 

Unit Type	Bulkhead Duct (With Drain Pump)
Remote Controller	Option
Nominal Cooling Capacity (kW)	1.1
UK Total Cooling Capacity (kW)	0.8
UK Sensible Cooling Capacity (kW)	0.7
Nominal Heating Capacity (kW)	1.2
UK Heating Capacity (kW)	1.3
Height (mm)	198
Width (mm)	700
Depth (mm)	450
Weight (kg)	14.5
Standard Static Pressure (Pa)	10
Static Pressure Range (Pa)	0 to 30
Airflow Rate - Cooling - High (m3/h)	460
Sound Pressure Level - Cooling - High (dB(A))	25
Sound Pressure Level - Cooling - Low (dB(A))	21
Refrigerant Type (Global Warming Potential)	R410A (2,088)
Liquid Pipe Size	1/4"
Gas Pipe Size	3/8"
Unit Power Supply	1Ph-230V-50Hz



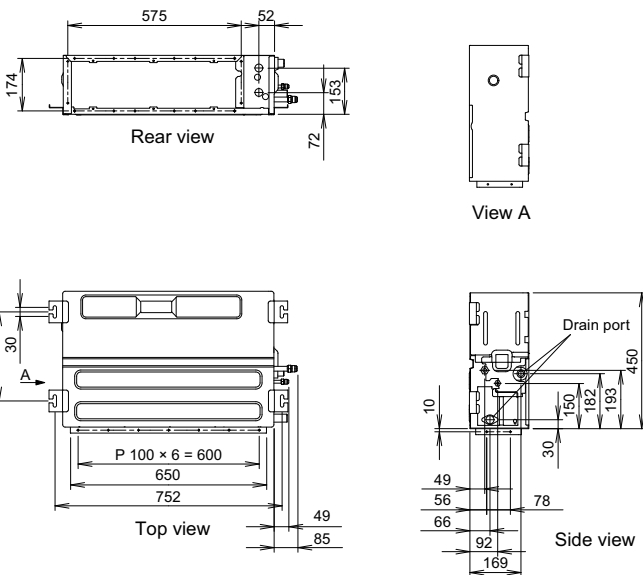
#### Document Downloads

- [Air Distribution](#)
- [Operation Manual](#)
- [Airflow](#)
- [Product Image](#)
- [Cooling Capacity](#)
- [Spare Parts List All Pages](#)
- [Dimensional Drawing](#)
- [Specifications](#)
- [Electrical Characteristics](#)
- [Wiring Diagram](#)
- [Fan Curve](#)
- [Heating Capacity](#)
- [Installation Manual](#)
- [Noise Curve](#)

#### Related Items

- [UTDGXTAW](#) Auto Louvre Grille Kit (Size 07-14 IU's)
- [UTYRNRYZ5](#) Touch Screen Remote Controller
- [UTYRCRYZ1](#) Compact Simple Remote controller
- [UTYRSRY](#) Simple Remote Controller (with Master Control)
- [UTYRHRY](#) Simple Remote Controller (without Master Control)
- [UTYLNHY](#) Wireless Remote Controller
- [UTYXSZX](#) Remote Sensor Unit (for All Duct type)
- [UTBYWC](#) IR Receiver Unit for GATH Ducted Units

Unit: mm



\*Specifications and design are subject to change without notice for further improvement.  
 •Actual products' colors may be different from the colors shown in this printed material.

### ARXK007GLGH

Please visit our webstore for full product and technical documentation 

Unit Type	Bulkhead Duct (With Drain Pump)
Remote Controller	Option
Nominal Cooling Capacity (kW)	2.2
UK Total Cooling Capacity (kW)	1.6
UK Sensible Cooling Capacity (kW)	1.3
Nominal Heating Capacity (kW)	2.6
UK Heating Capacity (kW)	2.8
Height (mm)	198
Width (mm)	700
Depth (mm)	450
Weight (kg)	15.5
Standard Static Pressure (Pa)	10
Static Pressure Range (Pa)	0 to 30
Airflow Rate - Cooling - High (m3/h)	460
Sound Pressure Level - Cooling - High (dB(A))	26
Sound Pressure Level - Cooling - Low (dB(A))	22
Refrigerant Type (Global Warming Potential)	R410A (2,088)
Liquid Pipe Size	1/4"
Gas Pipe Size	3/8"
Unit Power Supply	1Ph-230V-50Hz



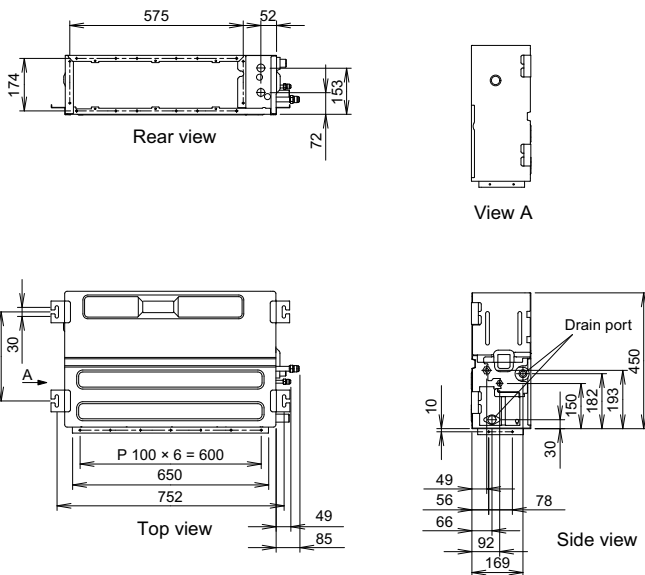
#### Document Downloads

- [Air Distribution](#)
- [Airflow](#)
- [Cooling Capacity](#)
- [Dimensional Drawing](#)
- [Electrical Characteristics](#)
- [Fan Curve](#)
- [Heating Capacity](#)
- [Installation Manual](#)
- [Noise Curve](#)
- [Operation Manual](#)
- [Product Image](#)
- [Spare Parts List All Pages](#)
- [Specifications](#)
- [Wiring Diagram](#)

#### Related Items

- [UTDGXTAW](#) Auto Louvre Grille Kit (Size 07-14 IU's)
- [UTYRNRYZ5](#) Touch Screen Remote Controller
- [UTYRCRYZ1](#) Compact Simple Remote controller
- [UTYRSRY](#) Simple Remote Controller (with Master Control)
- [UTYRHRY](#) Simple Remote Controller (without Master Control)
- [UTYLNHY](#) Wireless Remote Controller
- [UTYXSZX](#) Remote Sensor Unit (for All Duct type)
- [UTBYWC](#) IR Receiver Unit for GATH Ducted Units

Unit: mm



\*Specifications and design are subject to change without notice for further improvement.  
 •Actual products' colors may be different from the colors shown in this printed material.

### ARXK009GLGH

Please visit our webstore for full product and technical documentation 

Unit Type	Bulkhead Duct (With Drain Pump)
Remote Controller	Option
Nominal Cooling Capacity (kW)	2.8
UK Total Cooling Capacity (kW)	2.1
UK Sensible Cooling Capacity (kW)	1.7
Nominal Heating Capacity (kW)	3.0
UK Heating Capacity (kW)	3.2
Height (mm)	198
Width (mm)	700
Depth (mm)	450
Weight (kg)	15.5
Standard Static Pressure (Pa)	10
Static Pressure Range (Pa)	0 to 30
Airflow Rate - Cooling - High (m3/h)	460
Sound Pressure Level - Cooling - High (dB(A))	26
Sound Pressure Level - Cooling - Low (dB(A))	22
Refrigerant Type (Global Warming Potential)	R410A (2,088)
Liquid Pipe Size	1/4"
Gas Pipe Size	3/8"
Unit Power Supply	1Ph-230V-50Hz



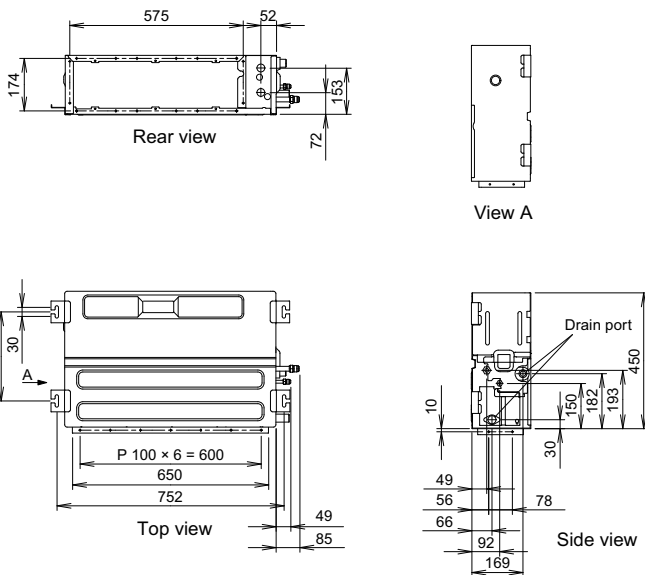
#### Document Downloads

- [Air Distribution](#)
- [Airflow](#)
- [Cooling Capacity](#)
- [Dimensional Drawing](#)
- [Electrical Characteristics](#)
- [Fan Curve](#)
- [Heating Capacity](#)
- [Installation Manual](#)
- [Noise Curve](#)
- [Operation Manual](#)
- [Product Image](#)
- [Spare Parts List All Pages](#)
- [Specifications](#)
- [Wiring Diagram](#)

#### Related Items

- [UTDGXTAW](#) Auto Louvre Grille Kit (Size 07-14 IU's)
- [UTYRNRYZ5](#) Touch Screen Remote Controller
- [UTYRCRYZ1](#) Compact Simple Remote controller
- [UTYRSRY](#) Simple Remote Controller (with Master Control)
- [UTYRHRY](#) Simple Remote Controller (without Master Control)
- [UTYLNHY](#) Wireless Remote Controller
- [UTYXSZX](#) Remote Sensor Unit (for All Duct type)
- [UTBYWC](#) IR Receiver Unit for GATH Ducted Units

Unit: mm



\*Specifications and design are subject to change without notice for further improvement.  
 •Actual products' colors may be different from the colors shown in this printed material.



### ARXK012GLGH

Please visit our webstore for full product and technical documentation 

Unit Type	Bulkhead Duct (With Drain Pump)
Remote Controller	Option
Nominal Cooling Capacity (kW)	3.6
UK Total Cooling Capacity (kW)	2.7
UK Sensible Cooling Capacity (kW)	2.2
Nominal Heating Capacity (kW)	3.8
UK Heating Capacity (kW)	4.0
Height (mm)	198
Width (mm)	700
Depth (mm)	450
Weight (kg)	16
Standard Static Pressure (Pa)	10
Static Pressure Range (Pa)	0 to 30
Airflow Rate - Cooling - High (m3/h)	550
Sound Pressure Level - Cooling - High (dB(A))	29
Sound Pressure Level - Cooling - Low (dB(A))	24
Refrigerant Type (Global Warming Potential)	R410A (2,088)
Liquid Pipe Size	1/4"
Gas Pipe Size	1/2"
Unit Power Supply	1Ph-230V-50Hz



#### Document Downloads

[Air Distribution](#)
[Airflow](#)
[Cooling Capacity](#)
[Dimensional Drawing](#)
[Electrical Characteristics](#)
[Fan Curve](#)
[Heating Capacity](#)
[Installation Manual](#)
[Noise Curve](#)
[Operation Manual](#)
[Product Image](#)
[Spare Parts List All Pages](#)
[Specifications](#)
[Wiring Diagram](#)

Unit: mm

#### Related Items

[UTDGXTAW](#)
[UTYRNRYZ5](#)
[UTYRCRYZ1](#)
[UTYRSRY](#)
[UTYRHRY](#)
[UTYLNHY](#)
[UTYXSZX](#)
[UTBYWC](#)

Auto Louvre Grille Kit (Size 07-14 IU's)

Touch Screen Remote Controller

Compact Simple Remote controller

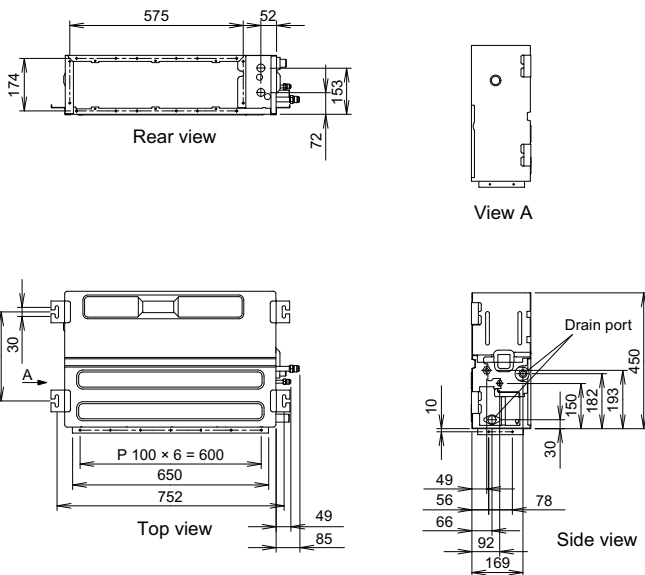
Simple Remote Controller (with Master Control)

Simple Remote Controller (without Master Control)

Wireless Remote Controller

Remote Sensor Unit (for All Duct type)

IR Receiver Unit for GATH Ducted Units



\*Specifications and design are subject to change without notice for further improvement.

\*Actual products' colors may be different from the colors shown in this printed material.

### ARXK014GLGH

Please visit our webstore for full product and technical documentation 

Unit Type	Bulkhead Duct (With Drain Pump)
Remote Controller	Option
Nominal Cooling Capacity (kW)	4.5
UK Total Cooling Capacity (kW)	3.3
UK Sensible Cooling Capacity (kW)	2.8
Nominal Heating Capacity (kW)	4.7
UK Heating Capacity (kW)	5.0
Height (mm)	198
Width (mm)	700
Depth (mm)	450
Weight (kg)	16
Standard Static Pressure (Pa)	15
Static Pressure Range (Pa)	0 to 50
Airflow Rate - Cooling - High (m3/h)	760
Sound Pressure Level - Cooling - High (dB(A))	34
Sound Pressure Level - Cooling - Low (dB(A))	24
Refrigerant Type (Global Warming Potential)	R410A (2,088)
Liquid Pipe Size	1/4"
Gas Pipe Size	1/2"
Unit Power Supply	1Ph-230V-50Hz



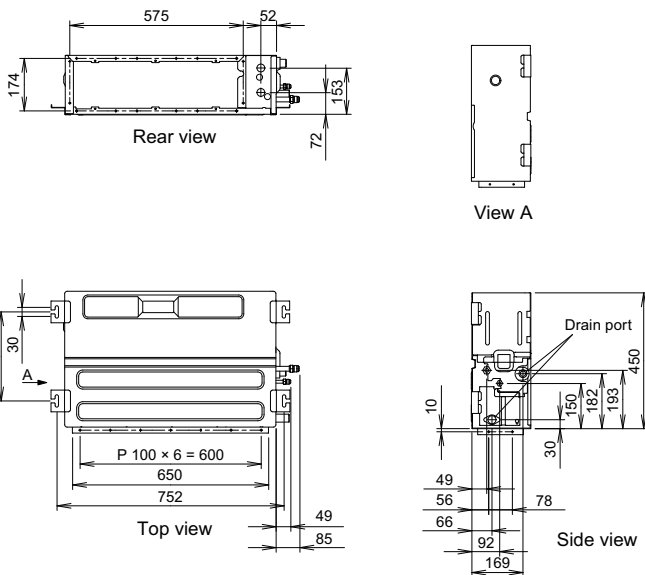
#### Document Downloads

- [Air Distribution](#)
- [Airflow](#)
- [Cooling Capacity](#)
- [Dimensional Drawing](#)
- [Electrical Characteristics](#)
- [Fan Curve](#)
- [Heating Capacity](#)
- [Installation Manual](#)
- [Noise Curve](#)
- [Operation Manual](#)
- [Product Image](#)
- [Spare Parts List All Pages](#)
- [Specifications](#)
- [Wiring Diagram](#)

#### Related Items

- [UTDGXTAW](#) Auto Louvre Grille Kit (Size 07-14 IU's)
- [UTYRNRYZ5](#) Touch Screen Remote Controller
- [UTYRCRYZ1](#) Compact Simple Remote controller
- [UTYRSRY](#) Simple Remote Controller (with Master Control)
- [UTYRHRY](#) Simple Remote Controller (without Master Control)
- [UTYLNHY](#) Wireless Remote Controller
- [UTYXSZX](#) Remote Sensor Unit (for All Duct type)
- [UTBYWC](#) IR Receiver Unit for GATH Ducted Units

Unit: mm



\*Specifications and design are subject to change without notice for further improvement.  
 •Actual products' colors may be different from the colors shown in this printed material.

### ARXK018GLGH

Please visit our webstore for full product and technical documentation 

Unit Type	Bulkhead Duct (With Drain Pump)	
Remote Controller	Option	
Nominal Cooling Capacity (kW)	5.6	
UK Total Cooling Capacity (kW)	4.2	
UK Sensible Cooling Capacity (kW)	3.5	
Nominal Heating Capacity (kW)	5.9	
UK Heating Capacity (kW)	6.3	
Height (mm)	198	
Width (mm)	900	
Depth (mm)	450	
Weight (kg)	19	
Standard Static Pressure (Pa)	15	
Static Pressure Range (Pa)	0 to 50	
Airflow Rate - Cooling - High (m3/h)	930	
Sound Pressure Level - Cooling - High (dB(A))	33	
Sound Pressure Level - Cooling - Low (dB(A))	24	
Refrigerant Type (Global Warming Potential)	R410A (2,088)	
Liquid Pipe Size	1/4"	
Gas Pipe Size	1/2"	
Unit Power Supply	1Ph-230V-50Hz	



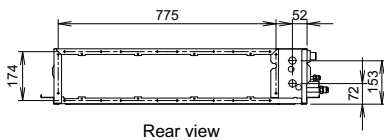
#### Document Downloads

- [Air Distribution](#)
- [Airflow](#)
- [Cooling Capacity](#)
- [Dimensional Drawing](#)
- [Electrical Characteristics](#)
- [Fan Curve](#)
- [Heating Capacity](#)
- [Installation Manual](#)
- [Noise Curve](#)
- [Operation Manual](#)
- [Product Image](#)
- [Spare Parts List All Pages](#)
- [Specifications](#)
- [Wiring Diagram](#)

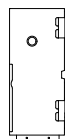
#### Related Items

- [UTDGXTAW](#) Auto Louvre Grille Kit (Size 07-14 IU's)
- [UTYRNRYZ5](#) Touch Screen Remote Controller
- [UTYRCRYZ1](#) Compact Simple Remote controller
- [UTYRSRY](#) Simple Remote Controller (with Master Control)
- [UTYRHRY](#) Simple Remote Controller (without Master Control)
- [UTYLNHY](#) Wireless Remote Controller
- [UTYXSZX](#) Remote Sensor Unit (for All Duct type)
- [UTBYWC](#) IR Receiver Unit for GATH Ducted Units

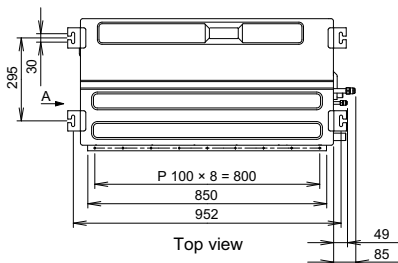
Unit: mm



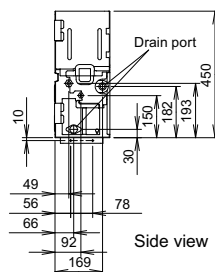
Rear view



View A



Top view



Side view

\*Specifications and design are subject to change without notice for further improvement.  
 •Actual products' colors may be different from the colors shown in this printed material.

### ARXK024GLGH

Please visit our webstore for full product and technical documentation 

Unit Type	Bulkhead Duct (With Drain Pump)
Remote Controller	Option
Nominal Cooling Capacity (kW)	7.1
UK Total Cooling Capacity (kW)	5.3
UK Sensible Cooling Capacity (kW)	4.4
Nominal Heating Capacity (kW)	7.4
UK Heating Capacity (kW)	8.0
Height (mm)	198
Width (mm)	1100
Depth (mm)	450
Weight (kg)	22.5
Standard Static Pressure (Pa)	15
Static Pressure Range (Pa)	0 to 50
Airflow Rate - Cooling - High (m3/h)	1160
Sound Pressure Level - Cooling - High (dB(A))	32
Sound Pressure Level - Cooling - Low (dB(A))	25
Refrigerant Type (Global Warming Potential)	R410A (2,088)
Liquid Pipe Size	3/8"
Gas Pipe Size	5/8"
Unit Power Supply	1Ph-230V-50Hz



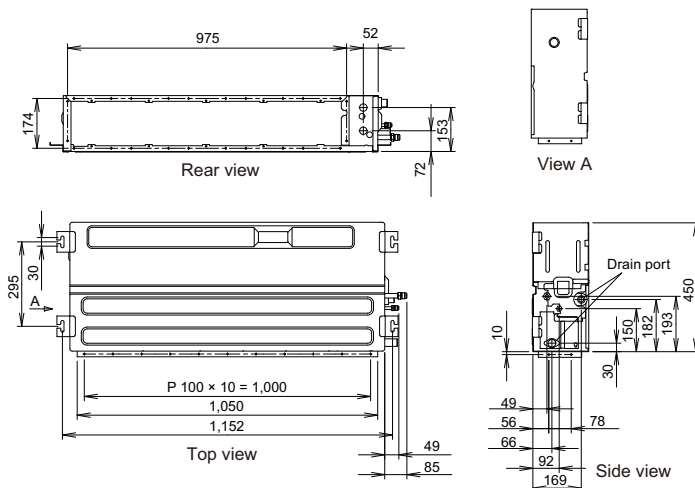
#### Document Downloads

- [Air Distribution](#)
- [Airflow](#)
- [Cooling Capacity](#)
- [Dimensional Drawing](#)
- [Electrical Characteristics](#)
- [Fan Curve](#)
- [Heating Capacity](#)
- [Installation Manual](#)
- [Noise Curve](#)
- [Operation Manual](#)
- [Product Image](#)
- [Spare Parts List All Pages](#)
- [Specifications](#)
- [Wiring Diagram](#)

#### Related Items

- [UTYRNRZY5](#) Touch Screen Remote Controller
- [UTYRCRYZ1](#) Compact Simple Remote controller
- [UTYRSRY](#) Simple Remote Controller (with Master Control)
- [UTYRHRY](#) Simple Remote Controller (without Master Control)
- [UTYLNHY](#) Wireless Remote Controller
- [UTYXSZX](#) Remote Sensor Unit (for All Duct type)
- [UTBYWC](#) IR Receiver Unit for GATH Ducted Units

Unit: mm



\*Specifications and design are subject to change without notice for further improvement.  
 •Actual products' colors may be different from the colors shown in this printed material.

### ARXD04GALH

Please visit our webstore for full product and technical documentation 

Unit Type	Slim Duct / Slim Concealed Floor	
Remote Controller	Option	
Nominal Cooling Capacity (kW)		1.1
UK Total Cooling Capacity (kW)		
UK Sensible Cooling Capacity (kW)		
Nominal Heating Capacity (kW)		
UK Heating Capacity (kW)		1.3
Height (mm)		198
Width (mm)		700
Depth (mm)		620
Weight (kg)		17
Standard Static Pressure (Pa)		25
Static Pressure Range (Pa)		0 to 90
Airflow Rate - Cooling - High (m3/h)		510
Sound Pressure Level - Cooling - High (dB(A))		26
Sound Pressure Level - Cooling - Low (dB(A))		22
Refrigerant Type (Global Warming Potential)		R410A (2,088)
Liquid Pipe Size		1/4"
Gas Pipe Size		3/8"
Unit Power Supply		1Ph-230V-50Hz



#### Document Downloads

[Air Distribution](#)
[Airflow](#)
[Cooling Capacity](#)
[Dimensional Drawing](#)
[Electrical Characteristics](#)
[Fan Curve](#)
[Heating Capacity](#)
[Installation Manual](#)
[Noise Curve](#)
[Operation Manual](#)
[Product Image](#)
[Spare Parts List All Pages](#)
[Specifications](#)
[Wiring Diagram](#)

#### Related Items

[UTDGXTAW](#)
[UTYRNRYZ5](#)
[UTYRCRYZ1](#)
[UTYRSRY](#)
[UTYRHRV](#)
[UTYLNHY](#)
[UTYXSZX](#)
[UTBYWC](#)

Auto Louvre Grille Kit (Size 07-14 IU's)

Touch Screen Remote Controller

Compact Simple Remote controller

Simple Remote Controller (with Master Control)

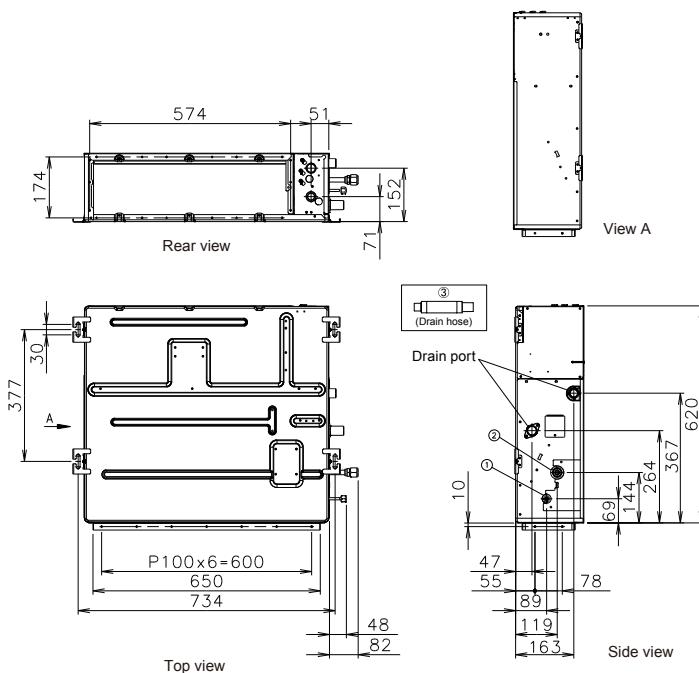
Simple Remote Controller (without Master Control)

Wireless Remote Controller

Remote Sensor Unit (for All Duct type)

IR Receiver Unit for GATH Ducted Units

(Unit : mm)



\*Specifications and design are subject to change without notice for further improvement.

\*Actual products' colors may be different from the colors shown in this printed material.

### ARXD007GLEH

Please visit our webstore for full product and technical documentation 

Unit Type	Slim Duct / Slim Concealed Floor	
Remote Controller	Option	
Nominal Cooling Capacity (kW)		2.2
UK Total Cooling Capacity (kW)		1.6
UK Sensible Cooling Capacity (kW)		1.5
Nominal Heating Capacity (kW)		2.6
UK Heating Capacity (kW)		2.8
Height (mm)		198
Width (mm)		700
Depth (mm)		620
Weight (kg)		17
Standard Static Pressure (Pa)		25
Static Pressure Range (Pa)		0 to 90
Airflow Rate - Cooling - High (m3/h)		550
Sound Pressure Level - Cooling - High (dB(A))		28
Sound Pressure Level - Cooling - Low (dB(A))		22
Refrigerant Type (Global Warming Potential)	R410A (2,088)	
Liquid Pipe Size	1/4"	
Gas Pipe Size	3/8"	
Unit Power Supply	1Ph-230V-50Hz	



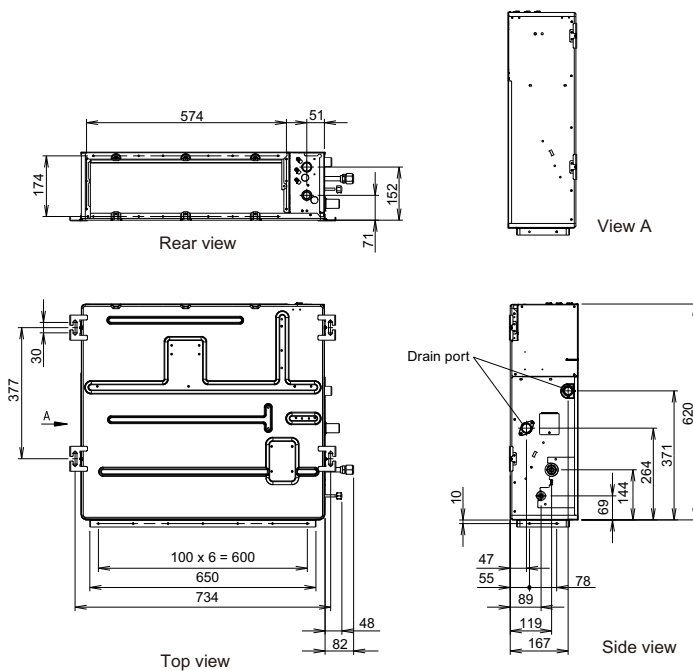
#### Document Downloads

- [Air Distribution](#)
- [Airflow](#)
- [Cooling Capacity](#)
- [Dimensional Drawing](#)
- [Electrical Characteristics](#)
- [Fan Curve](#)
- [Heating Capacity](#)
- [Installation Manual](#)
- [Noise Curve](#)
- [Operation Manual](#)
- [Product Image](#)
- [Spare Parts List All Pages](#)
- [Specifications](#)
- [Wiring Diagram](#)

#### Related Items

- [UTDGXTAW](#) Auto Louvre Grille Kit (Size 07-14 IU's)
- [UTYRNRYZ5](#) Touch Screen Remote Controller
- [UTYRCRYZ1](#) Compact Simple Remote controller
- [UTYRSRY](#) Simple Remote Controller (with Master Control)
- [UTYRHRH](#) Simple Remote Controller (without Master Control)
- [UTYLNHY](#) Wireless Remote Controller
- [UTYXSZX](#) Remote Sensor Unit (for All Duct type)
- [UTYTRHX](#) Infra-Red Receiver

Unit: mm



\*Specifications and design are subject to change without notice for further improvement.

\*Actual products' colors may be different from the colors shown in this printed material.

### ARXD009GLEH

Please visit our webstore for full product and technical documentation 

Unit Type	Slim Duct / Slim Concealed Floor	
Remote Controller	Option	
Nominal Cooling Capacity (kW)		2.8
UK Total Cooling Capacity (kW)		2.1
UK Sensible Cooling Capacity (kW)		1.8
Nominal Heating Capacity (kW)		3.0
UK Heating Capacity (kW)		3.2
Height (mm)		198
Width (mm)		700
Depth (mm)		620
Weight (kg)		17
Standard Static Pressure (Pa)		25
Static Pressure Range (Pa)		0 to 90
Airflow Rate - Cooling - High (m3/h)		600
Sound Pressure Level - Cooling - High (dB(A))		29
Sound Pressure Level - Cooling - Low (dB(A))		22
Refrigerant Type (Global Warming Potential)	R410A (2,088)	
Liquid Pipe Size	1/4"	
Gas Pipe Size	3/8"	
Unit Power Supply	1Ph-230V-50Hz	



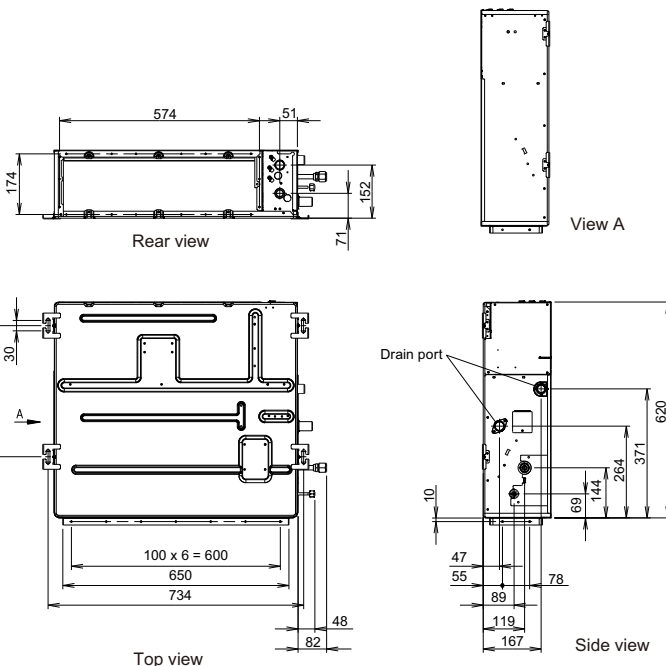
#### Document Downloads

- [Air Distribution](#)
- [Airflow](#)
- [Cooling Capacity](#)
- [Dimensional Drawing](#)
- [Electrical Characteristics](#)
- [Fan Curve](#)
- [Heating Capacity](#)
- [Installation Manual](#)
- [Noise Curve](#)
- [Operation Manual](#)
- [Product Image](#)
- [Spare Parts List All Pages](#)
- [Specifications](#)
- [Wiring Diagram](#)

#### Related Items

- [UTDGXTAW](#) Auto Louvre Grille Kit (Size 07-14 IU's)
- [UTYRNRYZ5](#) Touch Screen Remote Controller
- [UTYRCRYZ1](#) Compact Simple Remote controller
- [UTYRSRY](#) Simple Remote Controller (with Master Control)
- [UTYRHRH](#) Simple Remote Controller (without Master Control)
- [UTYLNHY](#) Wireless Remote Controller
- [UTYXSZX](#) Remote Sensor Unit (for All Duct type)
- [UTYTRHX](#) Infra-Red Receiver

Unit: mm



\*Specifications and design are subject to change without notice for further improvement.  
 •Actual products' colors may be different from the colors shown in this printed material.

### ARXD012GLEH

Please visit our webstore for full product and technical documentation 

Unit Type	Slim Duct / Slim Concealed Floor	
Remote Controller	Option	
Nominal Cooling Capacity (kW)		3.6
UK Total Cooling Capacity (kW)		2.7
UK Sensible Cooling Capacity (kW)		2.3
Nominal Heating Capacity (kW)		3.8
UK Heating Capacity (kW)		4.0
Height (mm)		198
Width (mm)		700
Depth (mm)		620
Weight (kg)		18
Standard Static Pressure (Pa)		25
Static Pressure Range (Pa)		0 to 90
Airflow Rate - Cooling - High (m3/h)		600
Sound Pressure Level - Cooling - High (dB(A))		30
Sound Pressure Level - Cooling - Low (dB(A))		24
Refrigerant Type (Global Warming Potential)	R410A (2,088)	
Liquid Pipe Size	1/4"	
Gas Pipe Size	1/2"	
Unit Power Supply	1Ph-230V-50Hz	



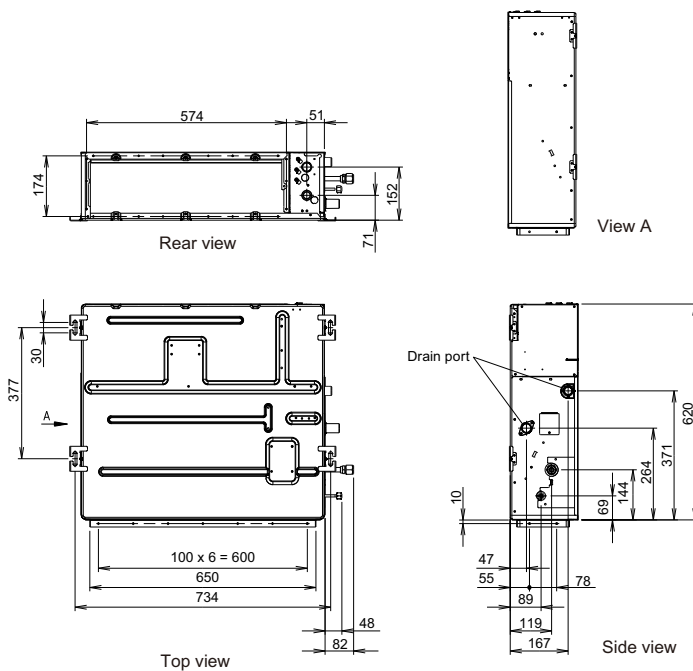
#### Document Downloads

- [Air Distribution](#)
- [Airflow](#)
- [Cooling Capacity](#)
- [Dimensional Drawing](#)
- [Electrical Characteristics](#)
- [Fan Curve](#)
- [Heating Capacity](#)
- [Installation Manual](#)
- [Noise Curve](#)
- [Operation Manual](#)
- [Product Image](#)
- [Spare Parts List All Pages](#)
- [Specifications](#)
- [Wiring Diagram](#)

#### Related Items

- [UTDGXTAW](#) Auto Louvre Grille Kit (Size 07-14 IU's)
- [UTYRNRYZ5](#) Touch Screen Remote Controller
- [UTYRCRYZ1](#) Compact Simple Remote controller
- [UTYRSRY](#) Simple Remote Controller (with Master Control)
- [UTYRHRH](#) Simple Remote Controller (without Master Control)
- [UTYLNHY](#) Wireless Remote Controller
- [UTYXSZX](#) Remote Sensor Unit (for All Duct type)
- [UTYTRHX](#) Infra-Red Receiver

Unit: mm



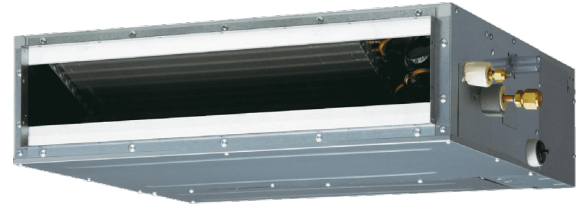
\*Specifications and design are subject to change without notice for further improvement.  
 •Actual products' colors may be different from the colors shown in this printed material.



### ARXD014GLEH

Please visit our webstore for full product and technical documentation 

Unit Type	Slim Duct / Slim Concealed Floor	
Remote Controller	Option	
Nominal Cooling Capacity (kW)		4.5
UK Total Cooling Capacity (kW)		3.3
UK Sensible Cooling Capacity (kW)		2.9
Nominal Heating Capacity (kW)		4.7
UK Heating Capacity (kW)		5.0
Height (mm)		198
Width (mm)		700
Depth (mm)		620
Weight (kg)		18
Standard Static Pressure (Pa)		25
Static Pressure Range (Pa)		0 to 90
Airflow Rate - Cooling - High (m3/h)		800
Sound Pressure Level - Cooling - High (dB(A))		34
Sound Pressure Level - Cooling - Low (dB(A))		25
Refrigerant Type (Global Warming Potential)	R410A (2,088)	
Liquid Pipe Size	1/4"	
Gas Pipe Size	1/2"	
Unit Power Supply	1Ph-230V-50Hz	



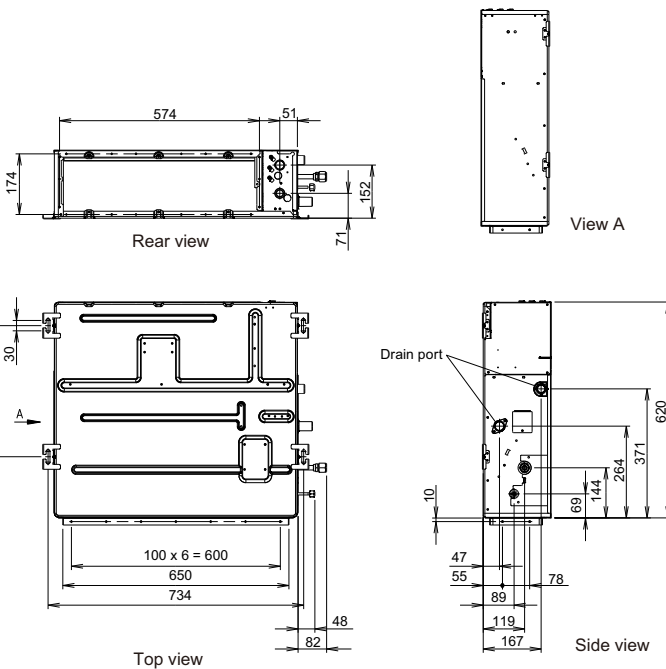
#### Document Downloads

- [Air Distribution](#)
- [Airflow](#)
- [Cooling Capacity](#)
- [Dimensional Drawing](#)
- [Electrical Characteristics](#)
- [Fan Curve](#)
- [Heating Capacity](#)
- [Installation Manual](#)
- [Noise Curve](#)
- [Operation Manual](#)
- [Product Image](#)
- [Spare Parts List All Pages](#)
- [Specifications](#)
- [Wiring Diagram](#)

#### Related Items

- [UTDGXTAW](#) Auto Louvre Grille Kit (Size 07-14 IU's)
- [UTYRNRYZ5](#) Touch Screen Remote Controller
- [UTYRCRYZ1](#) Compact Simple Remote controller
- [UTYRSRY](#) Simple Remote Controller (with Master Control)
- [UTYRHRH](#) Simple Remote Controller (without Master Control)
- [UTYLNHY](#) Wireless Remote Controller
- [UTYXSZX](#) Remote Sensor Unit (for All Duct type)
- [UTYTRHX](#) Infra-Red Receiver

Unit: mm

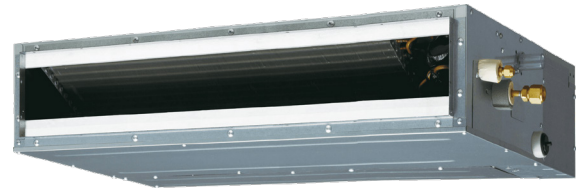


\*Specifications and design are subject to change without notice for further improvement.  
 •Actual products' colors may be different from the colors shown in this printed material.

### ARXD018GLEH

Please visit our webstore for full product and technical documentation 

Unit Type	Slim Duct / Slim Concealed Floor	
Remote Controller	Option	
Nominal Cooling Capacity (kW)		5.6
UK Total Cooling Capacity (kW)		4.2
UK Sensible Cooling Capacity (kW)		3.5
Nominal Heating Capacity (kW)		5.9
UK Heating Capacity (kW)		6.3
Height (mm)		198
Width (mm)		900
Depth (mm)		620
Weight (kg)		22
Standard Static Pressure (Pa)		25
Static Pressure Range (Pa)		0 to 90
Airflow Rate - Cooling - High (m3/h)		940
Sound Pressure Level - Cooling - High (dB(A))		34
Sound Pressure Level - Cooling - Low (dB(A))		25
Refrigerant Type (Global Warming Potential)		R410A (2,088)
Liquid Pipe Size		1/4"
Gas Pipe Size		1/2"
Unit Power Supply		1Ph-230V-50Hz



#### Document Downloads

[Air Distribution](#)
[Airflow](#)
[Cooling Capacity](#)
[Dimensional Drawing](#)
[Electrical Characteristics](#)
[Fan Curve](#)
[Heating Capacity](#)
[Installation Manual](#)
[Noise Curve](#)
[Operation Manual](#)
[Product Image](#)
[Spare Parts List All Pages](#)
[Specifications](#)
[Wiring Diagram](#)

#### Related Items

[UTDGXTBW](#)
[UTYRNRYZ5](#)
[UTYRCRYZ1](#)
[UTYRSRY](#)
[UTYRHRH](#)
[UTYLNHY](#)
[UTYXSZX](#)
[UTYTRHX](#)

Auto Louvre Grille Kit (Size 18 IU's)

Touch Screen Remote Controller

Compact Simple Remote controller

Simple Remote Controller (with Master Control)

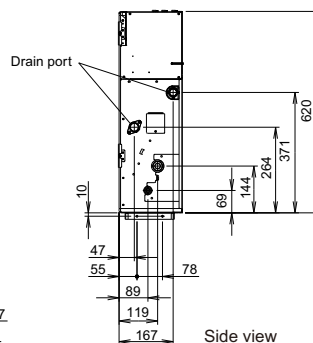
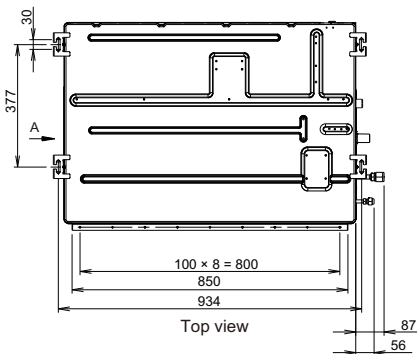
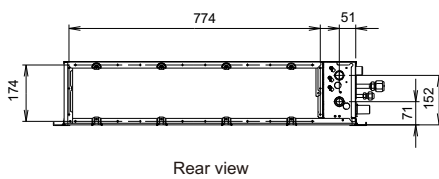
Simple Remote Controller (without Master Control)

Wireless Remote Controller

Remote Sensor Unit (for All Duct type)

Infra-Red Receiver

Unit: mm



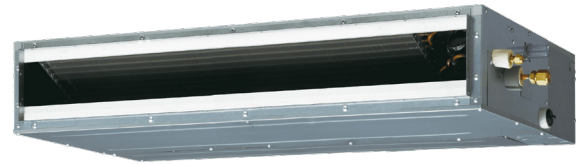
\*Specifications and design are subject to change without notice for further improvement.

\*Actual products' colors may be different from the colors shown in this printed material.

### ARXD024GLEH

Please visit our webstore for full product and technical documentation 

Unit Type	Slim Duct / Slim Concealed Floor	
Remote Controller	Option	
Nominal Cooling Capacity (kW)	7.1	
UK Total Cooling Capacity (kW)	5.3	
UK Sensible Cooling Capacity (kW)	4.9	
Nominal Heating Capacity (kW)	7.4	
UK Heating Capacity (kW)	8.0	
Height (mm)	198	
Width (mm)	1100	
Depth (mm)	620	
Weight (kg)	26	
Standard Static Pressure (Pa)	25	
Static Pressure Range (Pa)	0 to 50	
Airflow Rate - Cooling - High (m3/h)	1330	
Sound Pressure Level - Cooling - High (dB(A))	35	
Sound Pressure Level - Cooling - Low (dB(A))	24	
Refrigerant Type (Global Warming Potential)	R410A (2,088)	
Liquid Pipe Size	3/8"	
Gas Pipe Size	5/8"	
Unit Power Supply	1Ph-230V-50Hz	

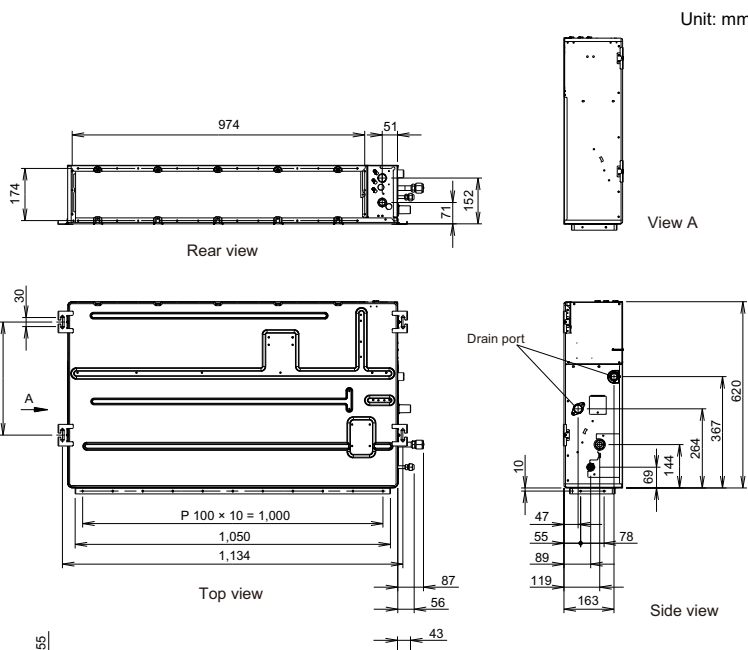


#### Document Downloads

- [Air Distribution](#)
- [Airflow](#)
- [Cooling Capacity](#)
- [Dimensional Drawing](#)
- [Electrical Characteristics](#)
- [Fan Curve](#)
- [Heating Capacity](#)
- [Installation Manual](#)
- [Noise Curve](#)
- [Operation Manual](#)
- [Product Image](#)
- [Spare Parts List All Pages](#)
- [Specifications](#)
- [Wiring Diagram](#)

#### Related Items

- [UTYRNRZ5](#) Touch Screen Remote Controller
- [UTYRCRYZ1](#) Compact Simple Remote controller
- [UTYRSRY](#) Simple Remote Controller (with Master Control)
- [UTYRHRH](#) Simple Remote Controller (without Master Control)
- [UTYLNHY](#) Wireless Remote Controller
- [UTYXSZX](#) Remote Sensor Unit (for All Duct type)
- [UTYTRHX](#) Infra-Red Receiver

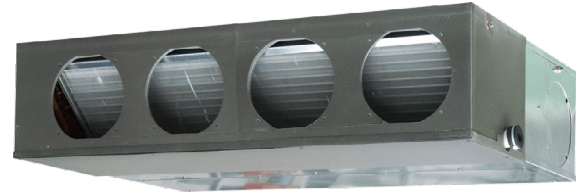


\*Specifications and design are subject to change without notice for further improvement.  
 •Actual products' colors may be different from the colors shown in this printed material.

# ARXA024GLEH

Please visit our webstore for full product and technical documentation 

Unit Type	Medium Static Ducted	
Remote Controller	Option	
Nominal Cooling Capacity (kW)	7.1	
UK Total Cooling Capacity (kW)	5.3	
UK Sensible Cooling Capacity (kW)	4.7	
Nominal Heating Capacity (kW)	7.4	
UK Heating Capacity (kW)	8.0	
Height (mm)	270	
Width (mm)	1135	
Depth (mm)	700	
Weight (kg)	36	
Standard Static Pressure (Pa)	40	
Static Pressure Range (Pa)	0 to 150	
Airflow Rate - Cooling - High (m3/h)	1280	
Sound Pressure Level - Cooling - High (dB(A))	31	
Sound Pressure Level - Cooling - Low (dB(A))	24	
Refrigerant Type (Global Warming Potential)	R410A (2,088)	
Liquid Pipe Size	3/8"	
Gas Pipe Size	5/8"	
Unit Power Supply	1Ph-230V-50Hz	

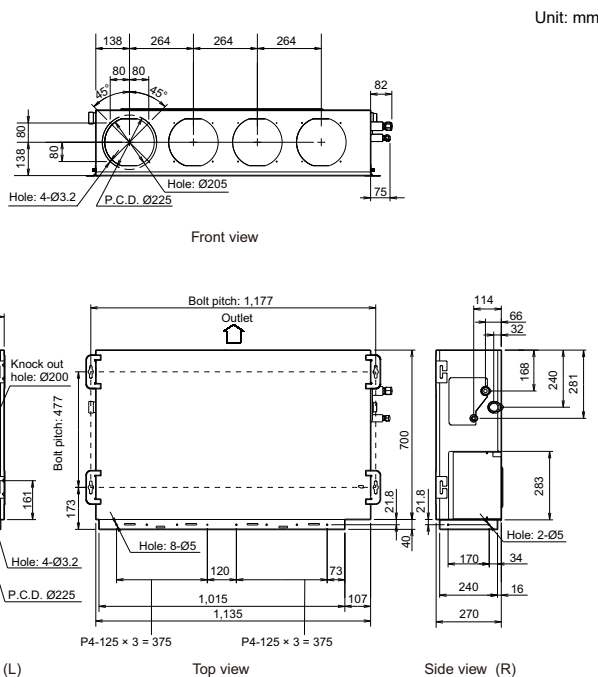


### Document Downloads

- [Airflow](#)
- [Cooling Capacity](#)
- [Dimensional Drawing](#)
- [Electrical Characteristics](#)
- [Fan Curve](#)
- [Heating Capacity](#)
- [Installation Manual](#)
- [Noise Curve](#)
- [Operation Manual](#)
- [Product Image](#)
- [Spare Parts List All Pages](#)
- [Specifications](#)
- [Wiring Diagram](#)

### Related Items

- [UTDLF25NA](#) Long Life Filter Kit
- [UTDRF204](#) Flange (Round)
- [UTZPX1NBA](#) Drain Pump Unit for ARXA024-045GLEH
- [UTYRNRZ5](#) Touch Screen Remote Controller
- [UTYRCRYZ1](#) Compact Simple Remote controller
- [UTYRSRY](#) Simple Remote Controller (with Master Control)
- [UTYRHRY](#) Simple Remote Controller (without Master Control)
- [UTYLNHY](#) Wireless Remote Controller
- [UTYTRHX](#) Infra-Red Receiver

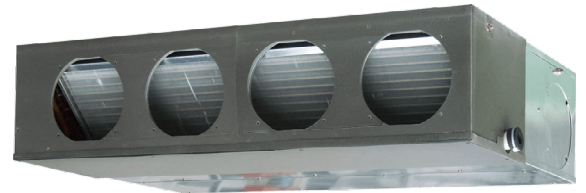


\*Specifications and design are subject to change without notice for further improvement.  
 •Actual products' colors may be different from the colors shown in this printed material.

# ARXA030GLEH

Please visit our webstore for full product and technical documentation 

Unit Type	Medium Static Ducted	
Remote Controller	Option	
Nominal Cooling Capacity (kW)	9.0	
UK Total Cooling Capacity (kW)	6.7	
UK Sensible Cooling Capacity (kW)	5.6	
Nominal Heating Capacity (kW)	9.3	
UK Heating Capacity (kW)	10.0	
Height (mm)	270	
Width (mm)	1135	
Depth (mm)	700	
Weight (kg)	40	
Standard Static Pressure (Pa)	50	
Static Pressure Range (Pa)	0 to 150	
Airflow Rate - Cooling - High (m3/h)	1410	
Sound Pressure Level - Cooling - High (dB(A))	34	
Sound Pressure Level - Cooling - Low (dB(A))	30	
Refrigerant Type (Global Warming Potential)	R410A (2,088)	
Liquid Pipe Size	3/8"	
Gas Pipe Size	5/8"	
Unit Power Supply	1Ph-230V-50Hz	



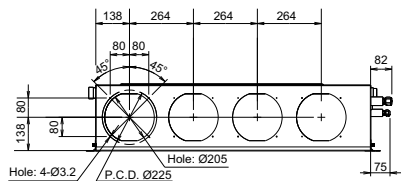
### Document Downloads

- [Airflow](#)
- [Cooling Capacity](#)
- [Dimensional Drawing](#)
- [Electrical Characteristics](#)
- [Fan Curve](#)
- [Heating Capacity](#)
- [Installation Manual](#)
- [Noise Curve](#)
- [Operation Manual](#)
- [Product Image](#)
- [Spare Parts List All Pages](#)
- [Specifications](#)
- [Wiring Diagram](#)

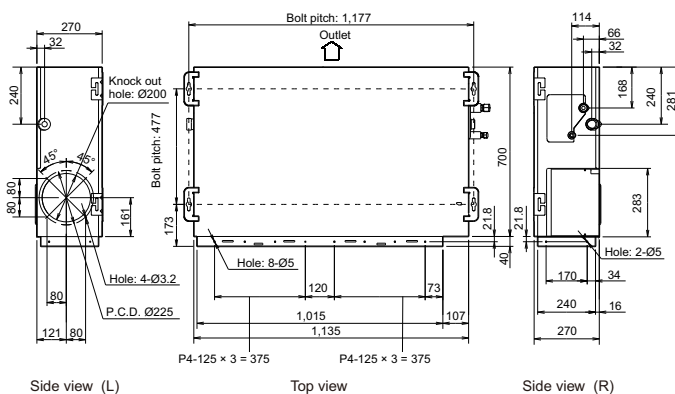
### Related Items

- [UTDLF25NA](#) Long Life Filter Kit
- [UTDRF204](#) Flange (Round)
- [UTZPX1NBA](#) Drain Pump Unit for ARXA024-045GLEH
- [UTYRNRZ5](#) Touch Screen Remote Controller
- [UTYRCRYZ1](#) Compact Simple Remote controller
- [UTYRSRY](#) Simple Remote Controller (with Master Control)
- [UTYRHRY](#) Simple Remote Controller (without Master Control)
- [UTYLNHY](#) Wireless Remote Controller
- [UTYTRHX](#) Infra-Red Receiver

Unit: mm



Front view



Side view (L)

Top view

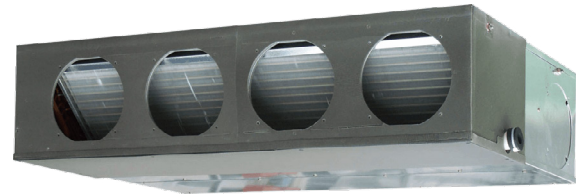
Side view (R)

\*Specifications and design are subject to change without notice for further improvement.  
 •Actual products' colors may be different from the colors shown in this printed material.

## ARXA045GLEH

Please visit our webstore for full product and technical documentation 

Unit Type	Medium Static Ducted	
Remote Controller	Option	
Nominal Cooling Capacity (kW)	12.5	
UK Total Cooling Capacity (kW)	9.3	
UK Sensible Cooling Capacity (kW)	7.9	
Nominal Heating Capacity (kW)	13.0	
UK Heating Capacity (kW)	14.0	
Height (mm)	270	
Width (mm)	1135	
Depth (mm)	700	
Weight (kg)	40	
Standard Static Pressure (Pa)	60	
Static Pressure Range (Pa)	0 to 150	
Airflow Rate - Cooling - High (m3/h)	1970	
Sound Pressure Level - Cooling - High (dB(A))	41	
Sound Pressure Level - Cooling - Low (dB(A))	37	
Refrigerant Type (Global Warming Potential)	R410A (2,088)	
Liquid Pipe Size	3/8"	
Gas Pipe Size	5/8"	
Unit Power Supply	1Ph-230V-50Hz	

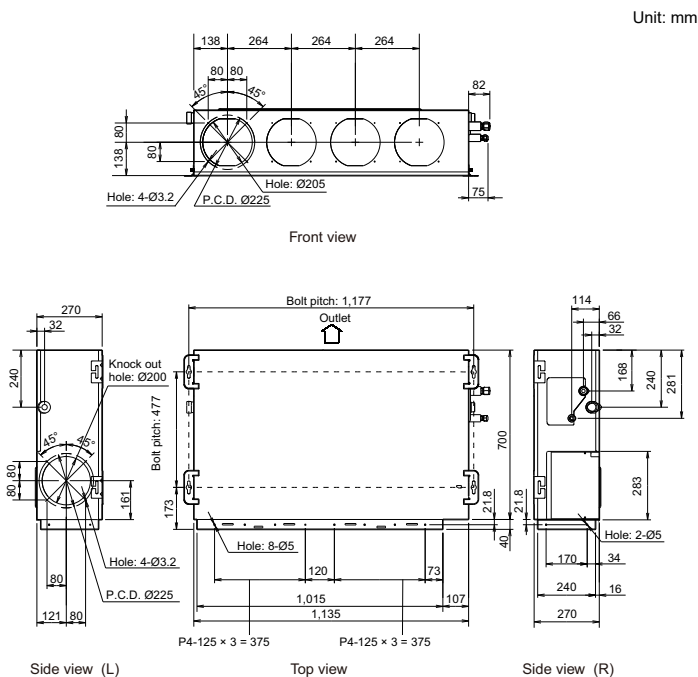


### Document Downloads

- [Airflow](#)
- [Cooling Capacity](#)
- [Dimensional Drawing](#)
- [Electrical Characteristics](#)
- [Fan Curve](#)
- [Heating Capacity](#)
- [Installation Manual](#)
- [Noise Curve](#)
- [Operation Manual](#)
- [Product Image](#)
- [Spare Parts List All Pages](#)
- [Specifications](#)
- [Wiring Diagram](#)

### Related Items

- [UTDLF25NA](#) Long Life Filter Kit
- [UTDRF204](#) Flange (Round)
- [UTZPX1NBA](#) Drain Pump Unit for ARXA024-045GLEH
- [UTYRNRYZ5](#) Touch Screen Remote Controller
- [UTYRCRYZ1](#) Compact Simple Remote controller
- [UTYRSRY](#) Simple Remote Controller (with Master Control)
- [UTYRHRY](#) Simple Remote Controller (without Master Control)
- [UTYLNHY](#) Wireless Remote Controller
- [UTYTRHX](#) Infra-Red Receiver



\*Specifications and design are subject to change without notice for further improvement.  
 •Actual products' colors may be different from the colors shown in this printed material.

### ARXC036GTEH

Please visit our webstore for full product and technical documentation 

Unit Type	High Static Ducted	
Remote Controller	Option	
Nominal Cooling Capacity (kW)	11.2	
UK Total Cooling Capacity (kW)	8.3	
UK Sensible Cooling Capacity (kW)	6.9	
Nominal Heating Capacity (kW)	11.6	
UK Heating Capacity (kW)	12.5	
Height (mm)	400	
Width (mm)	1050	
Depth (mm)	500	
Weight (kg)	40	
Standard Static Pressure (Pa)	100	
Static Pressure Range (Pa)	0 to 200	
Airflow Rate - Cooling - High (m3/h)	1990	
Sound Pressure Level - Cooling - High (dB(A))	42	
Sound Pressure Level - Cooling - Low (dB(A))	32	
Refrigerant Type (Global Warming Potential)	R410A (2,088)	
Liquid Pipe Size	3/8"	
Gas Pipe Size	5/8"	
Unit Power Supply	1Ph-230V-50Hz	



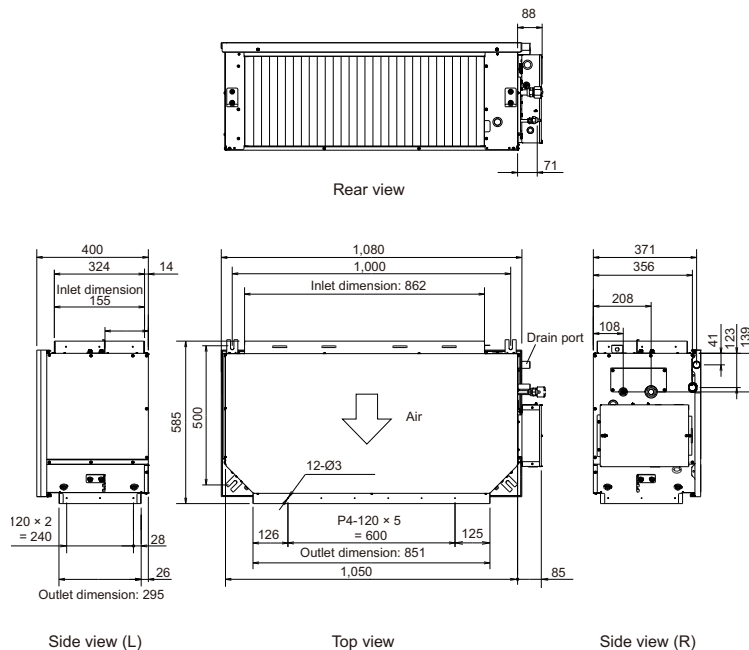
#### Document Downloads

- [Airflow](#)
- [Cooling Capacity](#)
- [Dimensional Drawing](#)
- [Electrical Characteristics](#)
- [Fan Curve](#)
- [Heating Capacity](#)
- [Installation Manual](#)
- [Noise Curve](#)
- [Operation Manual](#)
- [Product Image](#)
- [Spare Parts List All Pages](#)
- [Specifications](#)
- [Wiring Diagram](#)

#### Related Items

- [UTDLF60KA](#) Long Life Filter Kit
- [UTYRNRZY5](#) Touch Screen Remote Controller
- [UTYRCRYZ1](#) Compact Simple Remote controller
- [UTYRSRY](#) Simple Remote Controller (with Master Control)
- [UTYRHRH](#) Simple Remote Controller (without Master Control)
- [UTYLNHY](#) Wireless Remote Controller
- [UTYTFSXZ1](#) Wireless LAN interface
- [UTYTRHX](#) Infra-Red Receiver

Unit: mm



\*Specifications and design are subject to change without notice for further improvement.  
 •Actual products' colors may be different from the colors shown in this printed material.

# ARXC45GATH

Please visit our webstore for full product and technical documentation 

Unit Type	High Static Ducted	
Remote Controller	Option	
Nominal Cooling Capacity (kW)	12.5	
UK Total Cooling Capacity (kW)	9.3	
UK Sensible Cooling Capacity (kW)	9.2	
Nominal Heating Capacity (kW)	13.0	
UK Heating Capacity (kW)	14.0	
Height (mm)	400	
Width (mm)	1050	
Depth (mm)	500	
Weight (kg)	46	
Standard Static Pressure (Pa)	100	
Static Pressure Range (Pa)	100 to 250	
Airflow Rate - Cooling - High (m3/h)	3500	
Sound Pressure Level - Cooling - High (dB(A))	49	
Sound Pressure Level - Cooling - Low (dB(A))	42	
Refrigerant Type (Global Warming Potential)	R410A (2,088)	
Liquid Pipe Size	3/8"	
Gas Pipe Size	3/4"	
Unit Power Supply	1Ph-230V-50Hz	



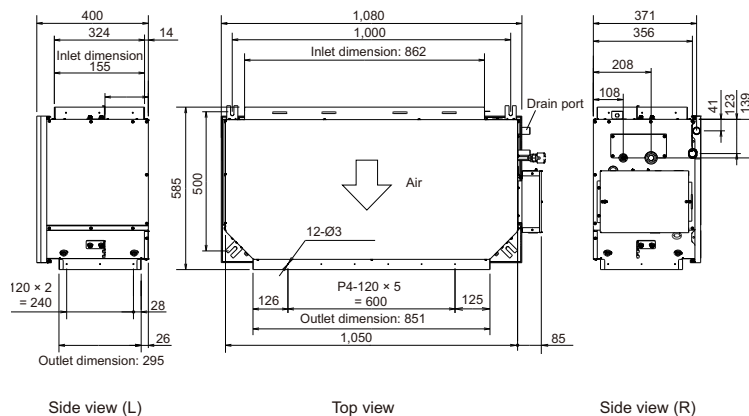
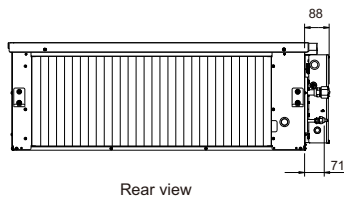
### Document Downloads

- [Airflow](#)
- [Cooling Capacity](#)
- [Dimensional Drawing](#)
- [Electrical Characteristics](#)
- [Fan Curve](#)
- [Heating Capacity](#)
- [Installation Manual](#)
- [Noise Curve](#)
- [Operation Manual](#)
- [Product Image](#)
- [Spare Parts List All Pages](#)
- [Specifications](#)
- [Wiring Diagram](#)

### Related Items

- [UTDLF60KA](#) Long Life Filter Kit
- [UTYRNRYZ5](#) Touch Screen Remote Controller
- [UTYRCRYZ1](#) Compact Simple Remote controller
- [UTYRSRY](#) Simple Remote Controller (with Master Control)
- [UTYRHRY](#) Simple Remote Controller (without Master Control)
- [UTYLNHY](#) Wireless Remote Controller
- [UTBYWC](#) IR Receiver Unit for GATH Ducted Units

Unit: mm



\*Specifications and design are subject to change without notice for further improvement.  
 •Actual products' colors may be different from the colors shown in this printed material.



# ARXC60GATH

Please visit our webstore for full product and technical documentation 

Unit Type	High Static Ducted	
Remote Controller	Option	
Nominal Cooling Capacity (kW)	18.0	
UK Total Cooling Capacity (kW)	13.4	
UK Sensible Cooling Capacity (kW)	12.2	
Nominal Heating Capacity (kW)	18.6	
UK Heating Capacity (kW)	20.0	
Height (mm)	400	
Width (mm)	1050	
Depth (mm)	500	
Weight (kg)	46	
Standard Static Pressure (Pa)	100	
Static Pressure Range (Pa)	100 to 250	
Airflow Rate - Cooling - High (m3/h)	3500	
Sound Pressure Level - Cooling - High (dB(A))	49	
Sound Pressure Level - Cooling - Low (dB(A))	42	
Refrigerant Type (Global Warming Potential)	R410A (2,088)	
Liquid Pipe Size	3/8"	
Gas Pipe Size	3/4"	
Unit Power Supply	1Ph-230V-50Hz	



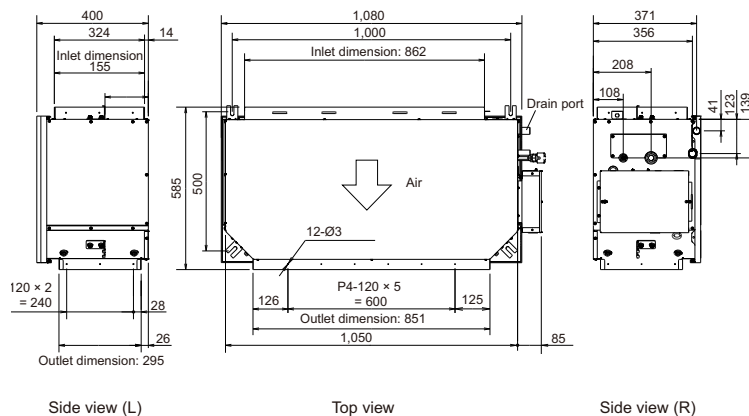
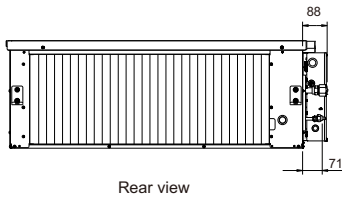
### Document Downloads

- [Airflow](#)
- [Cooling Capacity](#)
- [Dimensional Drawing](#)
- [Electrical Characteristics](#)
- [Fan Curve](#)
- [Heating Capacity](#)
- [Installation Manual](#)
- [Noise Curve](#)
- [Operation Manual](#)
- [Product Image](#)
- [Spare Parts List All Pages](#)
- [Specifications](#)
- [Wiring Diagram](#)

### Related Items

- [UTDLF60KA](#) Long Life Filter Kit
- [UTYRNRYZ5](#) Touch Screen Remote Controller
- [UTYRCRYZ1](#) Compact Simple Remote controller
- [UTYRSRY](#) Simple Remote Controller (with Master Control)
- [UTYRHRY](#) Simple Remote Controller (without Master Control)
- [UTYLNHY](#) Wireless Remote Controller
- [UTBYWC](#) IR Receiver Unit for GATH Ducted Units

Unit: mm



\*Specifications and design are subject to change without notice for further improvement.  
 •Actual products' colors may be different from the colors shown in this printed material.

### ARXC072GTEH

Please visit our webstore for full product and technical documentation 

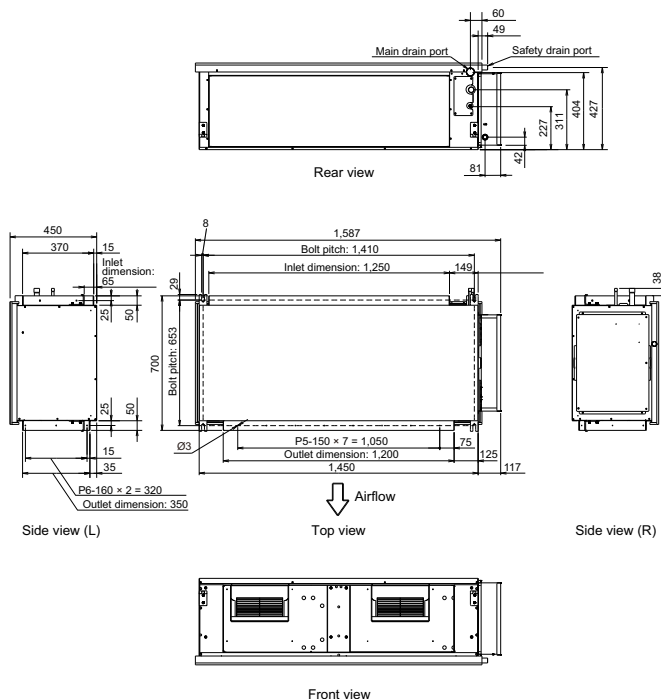
Unit Type	High Static Ducted	
Remote Controller	Option	
Nominal Cooling Capacity (kW)	22.4	
UK Total Cooling Capacity (kW)	16.6	
UK Sensible Cooling Capacity (kW)	15.1	
Nominal Heating Capacity (kW)	23.3	
UK Heating Capacity (kW)	25.0	
Height (mm)	450	
Width (mm)	1587	
Depth (mm)	700	
Weight (kg)	84	
Standard Static Pressure (Pa)	150	
Static Pressure Range (Pa)	0 to 300	
Airflow Rate - Cooling - High (m3/h)	3900	
Sound Pressure Level - Cooling - High (dB(A))	47	
Sound Pressure Level - Cooling - Low (dB(A))	40	
Refrigerant Type (Global Warming Potential)	R410A (2,088)	
Liquid Pipe Size	3/8"	
Gas Pipe Size	3/4"	
Unit Power Supply	1Ph-230V-50Hz	



#### Document Downloads

- [Airflow](#)
  - [Cooling Capacity](#)
  - [Dimensional Drawing](#)
  - [Electrical Characteristics](#)
  - [Fan Curve](#)
  - [Heating Capacity](#)
  - [Installation Manual](#)
  - [Noise Curve](#)
  - [Operation Manual](#)
- [Product Image](#)
  - [Spare Parts List All Pages](#)
  - [Specifications](#)
  - [Wiring Diagram](#)

Unit: mm



\*Specifications and design are subject to change without notice for further improvement.  
 •Actual products' colors may be different from the colors shown in this printed material.

### ARXC090GTEH

Please visit our webstore for full product and technical documentation 

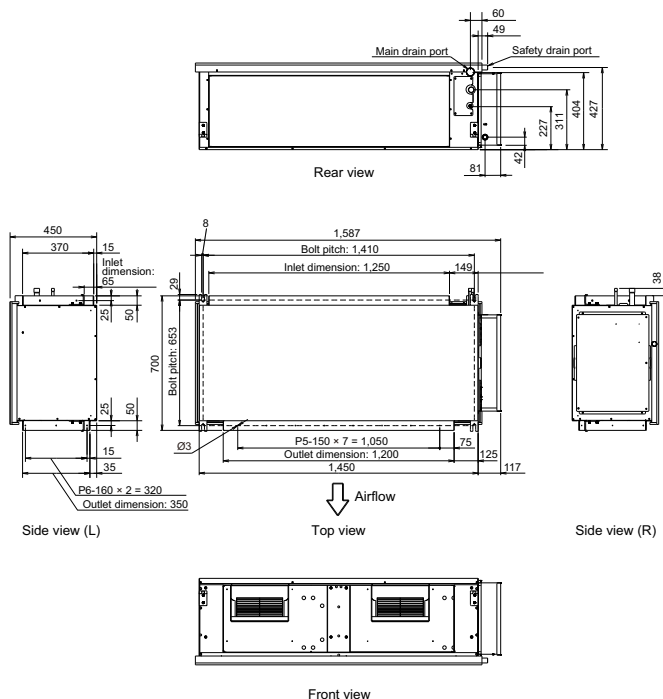
Unit Type	High Static Ducted	
Remote Controller	Option	
Nominal Cooling Capacity (kW)	25.0	
UK Total Cooling Capacity (kW)	18.6	
UK Sensible Cooling Capacity (kW)	15.6	
Nominal Heating Capacity (kW)	26.0	
UK Heating Capacity (kW)	28.0	
Height (mm)	450	
Width (mm)	1587	
Depth (mm)	700	
Weight (kg)	84	
Standard Static Pressure (Pa)	150	
Static Pressure Range (Pa)	0 to 300	
Airflow Rate - Cooling - High (m3/h)	4300	
Sound Pressure Level - Cooling - High (dB(A))	48	
Sound Pressure Level - Cooling - Low (dB(A))	44	
Refrigerant Type (Global Warming Potential)	R410A (2,088)	
Liquid Pipe Size	3/8"	
Gas Pipe Size	3/4"	
Unit Power Supply	1Ph-230V-50Hz	



#### Document Downloads

- [Airflow](#)
  - [Cooling Capacity](#)
  - [Dimensional Drawing](#)
  - [Electrical Characteristics](#)
  - [Fan Curve](#)
  - [Heating Capacity](#)
  - [Installation Manual](#)
  - [Noise Curve](#)
  - [Operation Manual](#)
- [Product Image](#)
  - [Spare Parts List All Pages](#)
  - [Specifications](#)
  - [Wiring Diagram](#)

Unit: mm



\*Specifications and design are subject to change without notice for further improvement.  
 •Actual products' colors may be different from the colors shown in this printed material.

# ARXC096GTEH

Please visit our webstore for full product and technical documentation 

Unit Type	High Static Ducted	
Remote Controller	Option	
Nominal Cooling Capacity (kW)	28.0	
UK Total Cooling Capacity (kW)	20.8	
UK Sensible Cooling Capacity (kW)	16.7	
Nominal Heating Capacity (kW)	29.3	
UK Heating Capacity (kW)	31.5	
Height (mm)	550	
Width (mm)	1587	
Depth (mm)	700	
Weight (kg)	105	
Standard Static Pressure (Pa)	150	
Static Pressure Range (Pa)	0 to 300	
Airflow Rate - Cooling - High (m3/h)	4850	
Sound Pressure Level - Cooling - High (dB(A))	48	
Sound Pressure Level - Cooling - Low (dB(A))	42	
Refrigerant Type (Global Warming Potential)	R410A (2,088)	
Liquid Pipe Size	3/8"	
Gas Pipe Size	7/8"	
Unit Power Supply	1Ph-230V-50Hz	

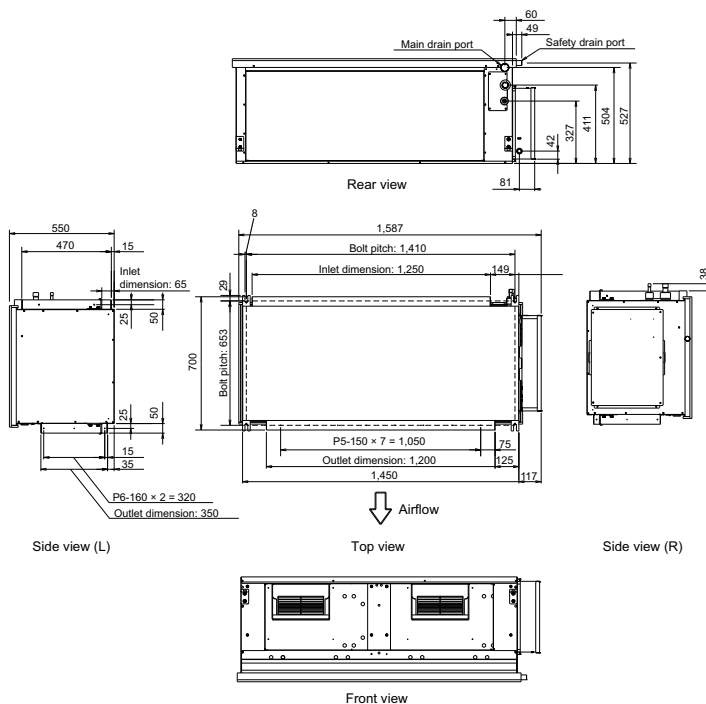


### Document Downloads

- [Airflow](#)
- [Cooling Capacity](#)
- [Dimensional Drawing](#)
- [Electrical Characteristics](#)
- [Fan Curve](#)
- [Heating Capacity](#)
- [Installation Manual](#)
- [Noise Curve](#)
- [Operation Manual](#)

- [Product Image](#)
- [Spare Parts List All Pages](#)
- [Specifications](#)
- [Wiring Diagram](#)

Unit: mm



\*Specifications and design are subject to change without notice for further improvement.  
 •Actual products' colors may be different from the colors shown in this printed material.

### AGYA004GCGH

Please visit our webstore for full product and technical documentation 

Unit Type	Compact Floor (Internal EEV)	
Remote Controller	Option	
Nominal Cooling Capacity (kW)	1.1	
UK Total Cooling Capacity (kW)	0.8	
UK Sensible Cooling Capacity (kW)	0.7	
Nominal Heating Capacity (kW)	1.2	
UK Heating Capacity (kW)	1.3	
Height (mm)	600	
Width (mm)	740	
Depth (mm)	200	
Weight (kg)	14.5	
Airflow Rate - Cooling - High (m3/h)	430	
Sound Pressure Level - Cooling - High (dB(A))	36	
Sound Pressure Level - Cooling - Low (dB(A))	28	
Refrigerant Type (Global Warming Potential)	R410A (2,088)	
Liquid Pipe Size	1/4"	
Gas Pipe Size	3/8"	
Unit Power Supply	1Ph-230V-50Hz	



#### Document Downloads

[Air Distribution](#)
[Airflow](#)
[Cooling Capacity](#)
[Dimensional Drawing](#)
[Electrical Characteristics](#)
[Heating Capacity](#)
[Installation Manual](#)
[Noise Curve](#)
[Operation Manual](#)
[Product Image](#)
[Spare Parts List All Pages](#)
[Specifications](#)
[Wiring Diagram](#)

#### Related Items

[UTYRNRZ5](#)
[UTYRCRYZ1](#)
[UTYRSRY](#)
[UTYRHRY](#)
[UTYLNHY](#)
[UTYTF5XZ1](#)

Touch Screen Remote Controller

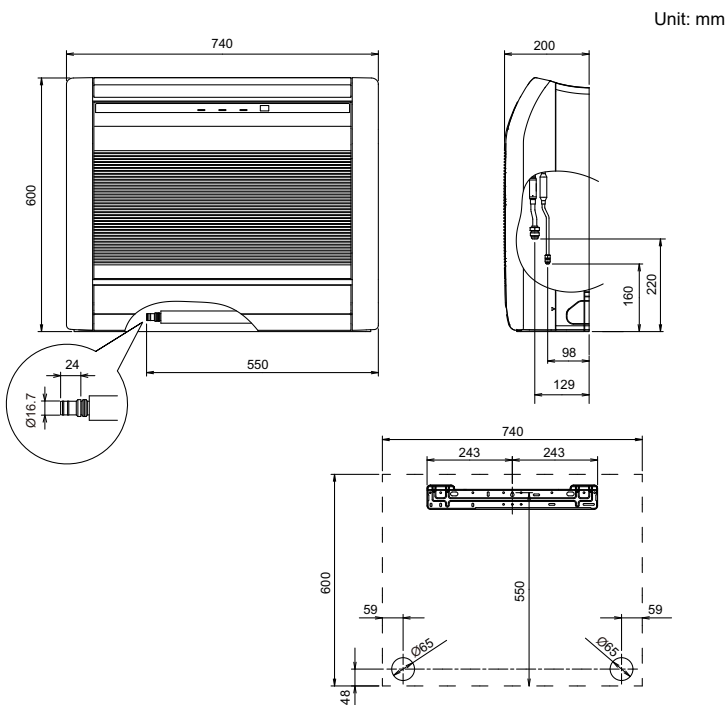
Compact Simple Remote controller

Simple Remote Controller (with Master Control)

Simple Remote Controller (without Master Control)

Wireless Remote Controller

Wireless LAN interface



\*Specifications and design are subject to change without notice for further improvement.

\*Actual products' colors may be different from the colors shown in this printed material.

### AGYA007GCGH

Please visit our webstore for full product and technical documentation 

Unit Type	Compact Floor (Internal EEV)	
Remote Controller	Option	
Nominal Cooling Capacity (kW)	2.2	
UK Total Cooling Capacity (kW)	1.6	
UK Sensible Cooling Capacity (kW)	1.4	
Nominal Heating Capacity (kW)	2.6	
UK Heating Capacity (kW)	2.8	
Height (mm)	600	
Width (mm)	740	
Depth (mm)	200	
Weight (kg)	15	
Airflow Rate - Cooling - High (m3/h)	470	
Sound Pressure Level - Cooling - High (dB(A))	37	
Sound Pressure Level - Cooling - Low (dB(A))	39	
Refrigerant Type (Global Warming Potential)	R410A (2,088)	
Liquid Pipe Size	1/4"	
Gas Pipe Size	3/8"	
Unit Power Supply	1Ph-230V-50Hz	



#### Document Downloads

[Air Distribution](#)
[Airflow](#)
[Cooling Capacity](#)
[Dimensional Drawing](#)
[Electrical Characteristics](#)
[Heating Capacity](#)
[Installation Manual](#)
[Noise Curve](#)
[Operation Manual](#)
[Product Image](#)
[Spare Parts List All Pages](#)
[Specifications](#)
[Wiring Diagram](#)

#### Related Items

[UTYRNRZ5](#)
[UTYRCRYZ1](#)
[UTYRSRY](#)
[UTYRHHY](#)
[UTYLNHY](#)
[UTYTF5XZ1](#)

Touch Screen Remote Controller

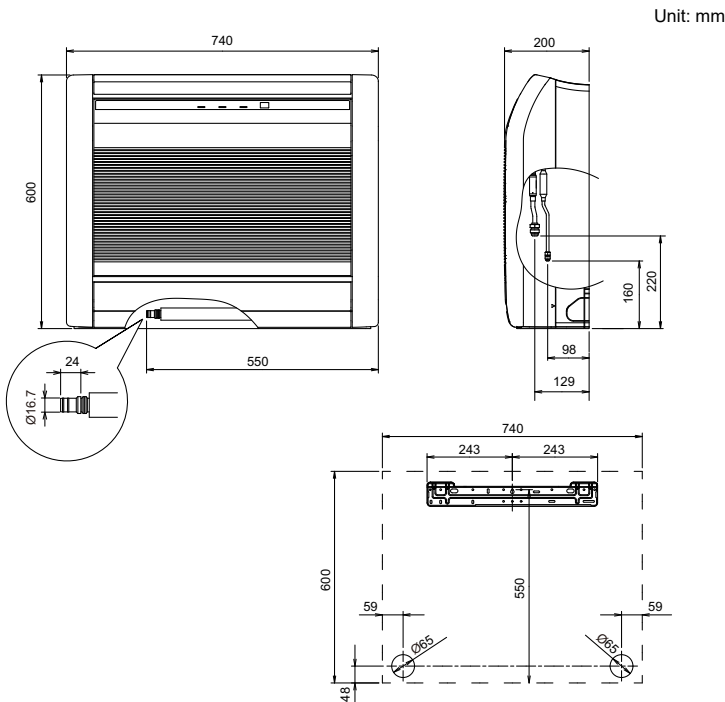
Compact Simple Remote controller

Simple Remote Controller (with Master Control)

Simple Remote Controller (without Master Control)

Wireless Remote Controller

Wireless LAN interface



\*Specifications and design are subject to change without notice for further improvement.

\*Actual products' colors may be different from the colors shown in this printed material.

### AGYA009GCGH

Please visit our webstore for full product and technical documentation 

Unit Type	Compact Floor (Internal EEV)	
Remote Controller	Option	
Nominal Cooling Capacity (kW)	2.8	
UK Total Cooling Capacity (kW)	2.1	
UK Sensible Cooling Capacity (kW)	1.7	
Nominal Heating Capacity (kW)	3.0	
UK Heating Capacity (kW)	3.2	
Height (mm)	600	
Width (mm)	740	
Depth (mm)	200	
Weight (kg)	15	
Airflow Rate - Cooling - High (m3/h)	500	
Sound Pressure Level - Cooling - High (dB(A))	38	
Sound Pressure Level - Cooling - Low (dB(A))	39	
Refrigerant Type (Global Warming Potential)	R410A (2,088)	
Liquid Pipe Size	1/4"	
Gas Pipe Size	3/8"	
Unit Power Supply	1Ph-230V-50Hz	



#### Document Downloads

[Air Distribution](#)
[Airflow](#)
[Cooling Capacity](#)
[Dimensional Drawing](#)
[Electrical Characteristics](#)
[Heating Capacity](#)
[Installation Manual](#)
[Noise Curve](#)
[Operation Manual](#)
[Product Image](#)
[Spare Parts List All Pages](#)
[Specifications](#)
[Wiring Diagram](#)

#### Related Items

[UTYRNRZ5](#)
[UTYRCRYZ1](#)
[UTYRSRY](#)
[UTYRHHY](#)
[UTYLNHY](#)
[UTYTF5XZ1](#)

Touch Screen Remote Controller

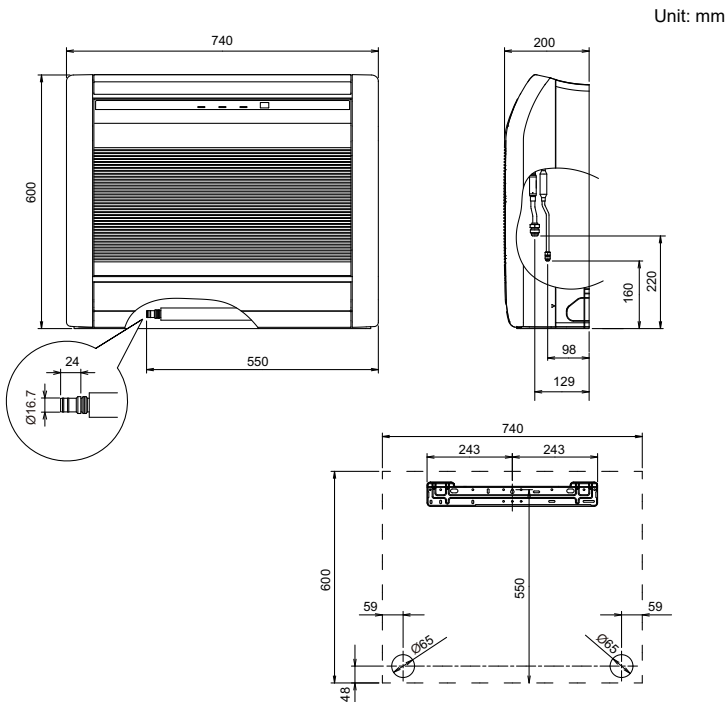
Compact Simple Remote controller

Simple Remote Controller (with Master Control)

Simple Remote Controller (without Master Control)

Wireless Remote Controller

Wireless LAN interface



\*Specifications and design are subject to change without notice for further improvement.

\*Actual products' colors may be different from the colors shown in this printed material.

### AGYA012GCGH

Please visit our webstore for full product and technical documentation 

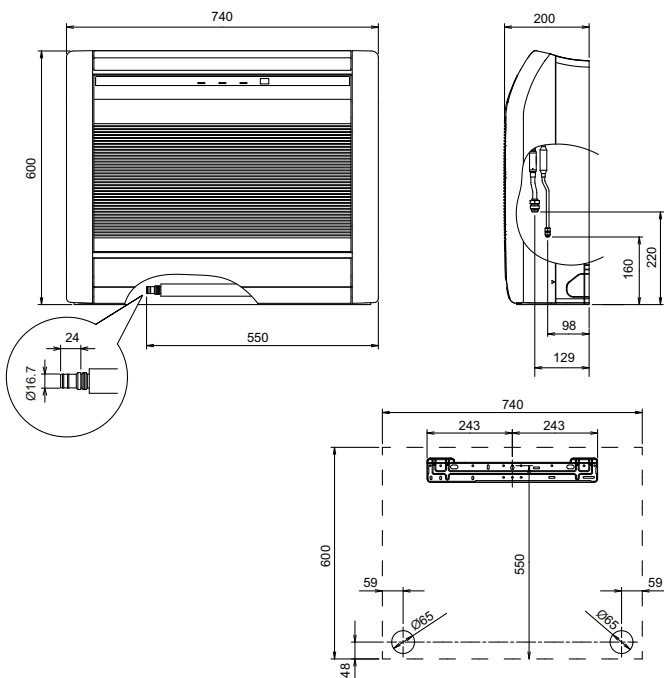
Unit Type	Compact Floor (Internal EEV)
Remote Controller	Option
Nominal Cooling Capacity (kW)	3.6
UK Total Cooling Capacity (kW)	2.7
UK Sensible Cooling Capacity (kW)	2.3
Nominal Heating Capacity (kW)	3.8
UK Heating Capacity (kW)	4.0
Height (mm)	600
Width (mm)	740
Depth (mm)	200
Weight (kg)	15
Airflow Rate - Cooling - High (m3/h)	590
Sound Pressure Level - Cooling - High (dB(A))	42
Sound Pressure Level - Cooling - Low (dB(A))	33
Refrigerant Type (Global Warming Potential)	R410A (2,088)
Liquid Pipe Size	1/4"
Gas Pipe Size	1/2"
Unit Power Supply	1Ph-230V-50Hz



#### Document Downloads

[Air Distribution](#)
[Airflow](#)
[Cooling Capacity](#)
[Dimensional Drawing](#)
[Electrical Characteristics](#)
[Heating Capacity](#)
[Installation Manual](#)
[Noise Curve](#)
[Operation Manual](#)
[Product Image](#)
[Spare Parts List All Pages](#)
[Specifications](#)
[Wiring Diagram](#)

Unit: mm



#### Related Items

[UTYRNRZ5](#)
[UTYRCRYZ1](#)
[UTYRSRY](#)
[UTYRHHY](#)
[UTYLNHY](#)
[UTYTF5XZ1](#)

Touch Screen Remote Controller

Compact Simple Remote controller

Simple Remote Controller (with Master Control)

Simple Remote Controller (without Master Control)

Wireless Remote Controller

Wireless LAN interface

\*Specifications and design are subject to change without notice for further improvement.

\*Actual products' colors may be different from the colors shown in this printed material.



### AGYA014GCGH

Please visit our webstore for full product and technical documentation 

Unit Type	Compact Floor (Internal EEV)	
Remote Controller	Option	
Nominal Cooling Capacity (kW)	4.5	
UK Total Cooling Capacity (kW)	3.0	
UK Sensible Cooling Capacity (kW)	2.5	
Nominal Heating Capacity (kW)	4.7	
UK Heating Capacity (kW)	4.5	
Height (mm)	600	
Width (mm)	740	
Depth (mm)	200	
Weight (kg)	15	
Airflow Rate - Cooling - High (m3/h)	670	
Sound Pressure Level - Cooling - High (dB(A))	46	
Sound Pressure Level - Cooling - Low (dB(A))	33	
Refrigerant Type (Global Warming Potential)	R410A (2,088)	
Liquid Pipe Size	1/4"	
Gas Pipe Size	1/2"	
Unit Power Supply	1Ph-230V-50Hz	



#### Document Downloads

[Air Distribution](#)
[Airflow](#)
[Cooling Capacity](#)
[Dimensional Drawing](#)
[Electrical Characteristics](#)
[Heating Capacity](#)
[Installation Manual](#)
[Noise Curve](#)
[Operation Manual](#)
[Product Image](#)
[Spare Parts List All Pages](#)
[Specifications](#)
[Wiring Diagram](#)

#### Related Items

[UTYRNRZ5](#)
[UTYRCRYZ1](#)
[UTYRSRY](#)
[UTYRHRH](#)
[UTYLNHY](#)
[UTYTF5XZ1](#)

Touch Screen Remote Controller

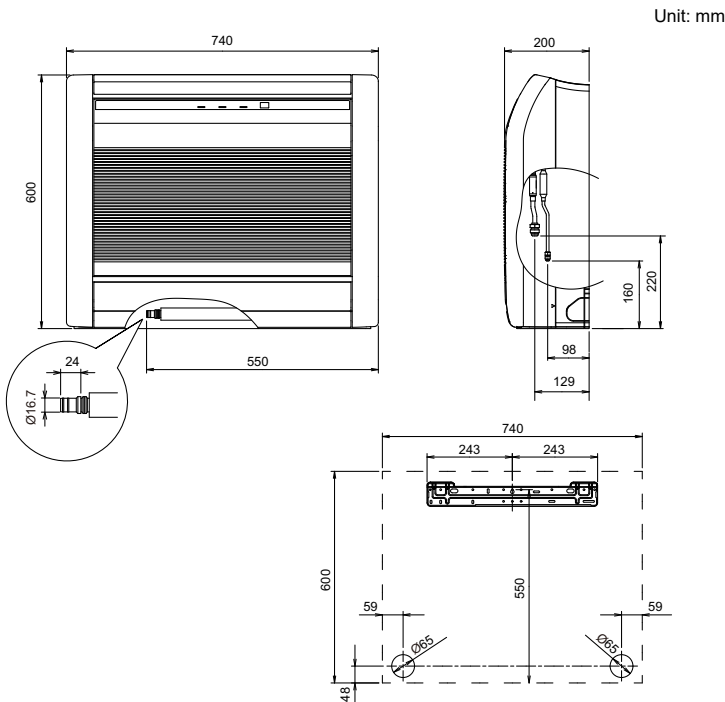
Compact Simple Remote controller

Simple Remote Controller (with Master Control)

Simple Remote Controller (without Master Control)

Wireless Remote Controller

Wireless LAN interface



\*Specifications and design are subject to change without notice for further improvement.

\*Actual products' colors may be different from the colors shown in this printed material.

### AGYE004GCEH

Please visit our webstore for full product and technical documentation 

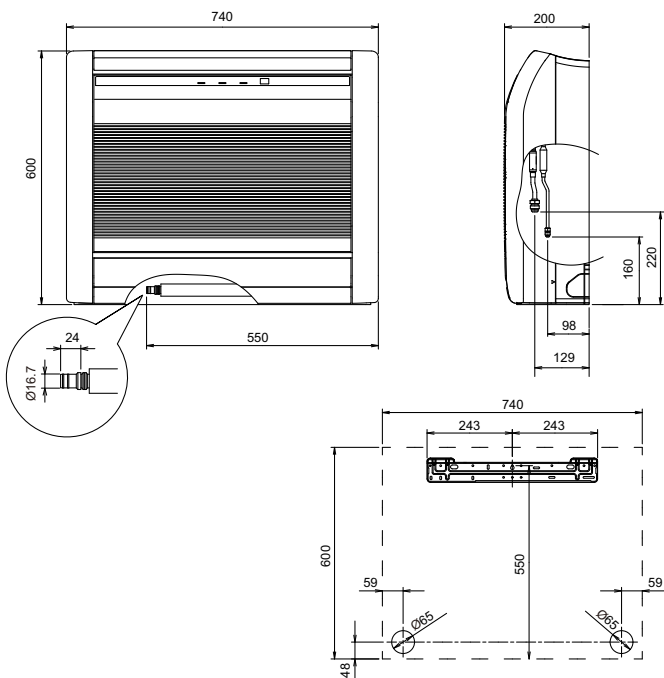
Unit Type	Compact Floor (External EEV)
Remote Controller	Option
Nominal Cooling Capacity (kW)	1.1
UK Total Cooling Capacity (kW)	0.8
UK Sensible Cooling Capacity (kW)	0.7
Nominal Heating Capacity (kW)	1.2
UK Heating Capacity (kW)	1.3
Height (mm)	600
Width (mm)	740
Depth (mm)	200
Weight (kg)	14.5
Airflow Rate - Cooling - High (m3/h)	430
Sound Pressure Level - Cooling - High (dB(A))	36
Sound Pressure Level - Cooling - Low (dB(A))	28
Refrigerant Type (Global Warming Potential)	R410A (2,088)
Liquid Pipe Size	1/4"
Gas Pipe Size	3/8"
Unit Power Supply	1Ph-230V-50Hz



#### Document Downloads

[Air Distribution](#)
[Airflow](#)
[Cooling Capacity](#)
[Dimensional Drawing](#)
[Electrical Characteristics](#)
[Heating Capacity](#)
[Installation Manual](#)
[Noise Curve](#)
[Operation Manual](#)
[Product Image](#)
[Spare Parts List All Pages](#)
[Specifications](#)
[Wiring Diagram](#)

Unit: mm



#### Related Items

[UTREV09XB](#)
[UTYRNRYZ5](#)
[UTYRCRYZ1](#)
[UTYRSRY](#)
[UTYRHRV](#)
[UTYLNHY](#)
[UTYTFXZ1](#)

- VRF Expansion Valve Kit, size 4 to 9 indoor units
- Touch Screen Remote Controller
- Compact Simple Remote controller
- Simple Remote Controller (with Master Control)
- Simple Remote Controller (without Master Control)
- Wireless Remote Controller
- Wireless LAN interface

\*Specifications and design are subject to change without notice for further improvement.

\*Actual products' colors may be different from the colors shown in this printed material.

### AGYE007GCEH

Please visit our webstore for full product and technical documentation 

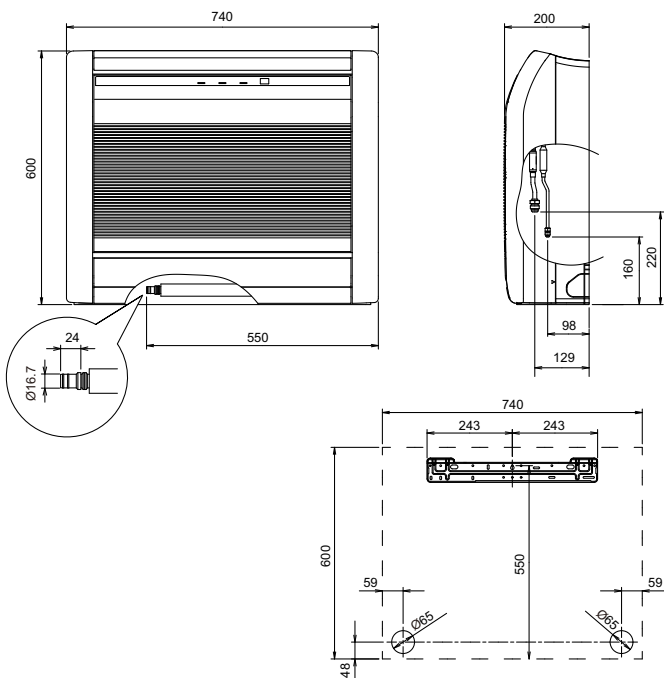
Unit Type	Compact Floor (External EEV)
Remote Controller	Option
Nominal Cooling Capacity (kW)	2.2
UK Total Cooling Capacity (kW)	1.6
UK Sensible Cooling Capacity (kW)	1.4
Nominal Heating Capacity (kW)	2.6
UK Heating Capacity (kW)	2.8
Height (mm)	600
Width (mm)	740
Depth (mm)	200
Weight (kg)	14.5
Airflow Rate - Cooling - High (m3/h)	470
Sound Pressure Level - Cooling - High (dB(A))	37
Sound Pressure Level - Cooling - Low (dB(A))	39
Refrigerant Type (Global Warming Potential)	R410A (2,088)
Liquid Pipe Size	1/4"
Gas Pipe Size	3/8"
Unit Power Supply	1Ph-230V-50Hz



#### Document Downloads

[Air Distribution](#)
[Airflow](#)
[Cooling Capacity](#)
[Dimensional Drawing](#)
[Electrical Characteristics](#)
[Heating Capacity](#)
[Installation Manual](#)
[Noise Curve](#)
[Operation Manual](#)
[Product Image](#)
[Spare Parts List All Pages](#)
[Specifications](#)
[Wiring Diagram](#)

Unit: mm



#### Related Items

[UTREV09XB](#)
[UTYRNRYZ5](#)
[UTYRCRYZ1](#)
[UTYRSRY](#)
[UTYRHRV](#)
[UTYLNHY](#)
[UTYTFXZ1](#)

- VRF Expansion Valve Kit, size 4 to 9 indoor units
- Touch Screen Remote Controller
- Compact Simple Remote controller
- Simple Remote Controller (with Master Control)
- Simple Remote Controller (without Master Control)
- Wireless Remote Controller
- Wireless LAN interface

\*Specifications and design are subject to change without notice for further improvement.

\*Actual products' colors may be different from the colors shown in this printed material.

### AGYE009GCEH

Please visit our webstore for full product and technical documentation 

Unit Type	Compact Floor (External EEV)
Remote Controller	Option
Nominal Cooling Capacity (kW)	2.8
UK Total Cooling Capacity (kW)	2.1
UK Sensible Cooling Capacity (kW)	1.7
Nominal Heating Capacity (kW)	3.0
UK Heating Capacity (kW)	3.2
Height (mm)	600
Width (mm)	740
Depth (mm)	200
Weight (kg)	14.5
Airflow Rate - Cooling - High (m3/h)	500
Sound Pressure Level - Cooling - High (dB(A))	38
Sound Pressure Level - Cooling - Low (dB(A))	39
Refrigerant Type (Global Warming Potential)	R410A (2,088)
Liquid Pipe Size	1/4"
Gas Pipe Size	3/8"
Unit Power Supply	1Ph-230V-50Hz



#### Document Downloads

[Air Distribution](#)
[Airflow](#)
[Cooling Capacity](#)
[Dimensional Drawing](#)
[Electrical Characteristics](#)
[Heating Capacity](#)
[Installation Manual](#)
[Noise Curve](#)
[Operation Manual](#)
[Product Image](#)
[Spare Parts List All Pages](#)
[Specifications](#)
[Wiring Diagram](#)

#### Related Items

[UTREV09XB](#)
[UTYRNRZY5](#)
[UTYRCRYZ1](#)
[UTYRSRY](#)
[UTYRHHY](#)
[UTYLNHY](#)
[UTYTFXZ1](#)

VRF Expansion Valve Kit, size 4 to 9 indoor units

Touch Screen Remote Controller

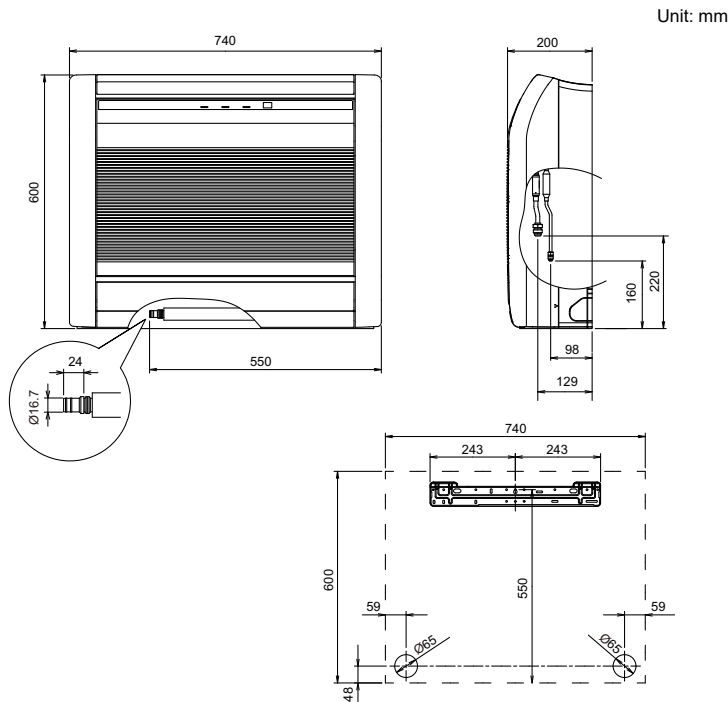
Compact Simple Remote controller

Simple Remote Controller (with Master Control)

Simple Remote Controller (without Master Control)

Wireless Remote Controller

Wireless LAN interface



Units: mm

\*Specifications and design are subject to change without notice for further improvement.

\*Actual products' colors may be different from the colors shown in this printed material.

### AGYE012GCEH

Please visit our webstore for full product and technical documentation 

Unit Type	Compact Floor (External EEV)	
Remote Controller	Option	
Nominal Cooling Capacity (kW)	3.6	
UK Total Cooling Capacity (kW)	2.7	
UK Sensible Cooling Capacity (kW)	2.3	
Nominal Heating Capacity (kW)	3.8	
UK Heating Capacity (kW)	4.0	
Height (mm)	600	
Width (mm)	740	
Depth (mm)	200	
Weight (kg)	14.5	
Airflow Rate - Cooling - High (m3/h)	590	
Sound Pressure Level - Cooling - High (dB(A))	42	
Sound Pressure Level - Cooling - Low (dB(A))	33	
Refrigerant Type (Global Warming Potential)	R410A (2,088)	
Liquid Pipe Size	1/4"	
Gas Pipe Size	1/2"	
Unit Power Supply	1Ph-230V-50Hz	



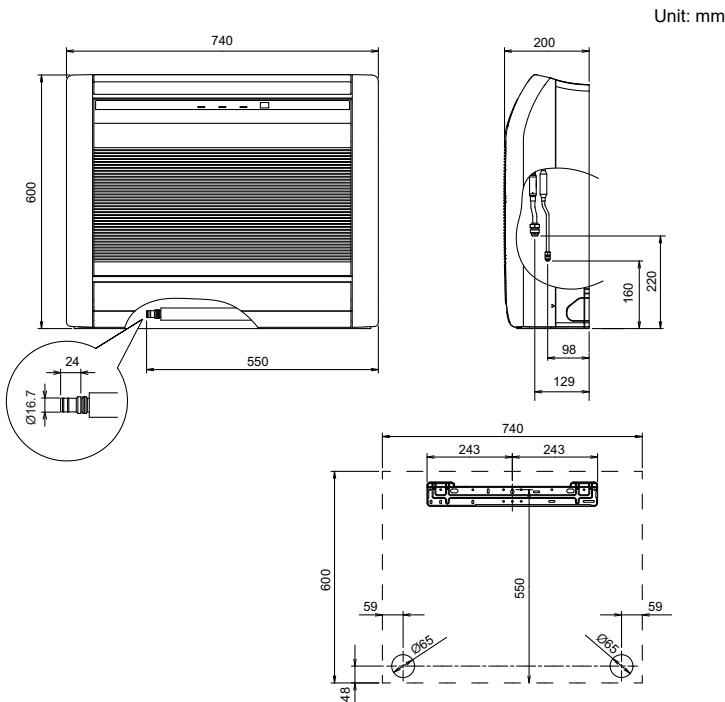
#### Document Downloads

[Air Distribution](#)
[Airflow](#)
[Cooling Capacity](#)
[Dimensional Drawing](#)
[Electrical Characteristics](#)
[Heating Capacity](#)
[Installation Manual](#)
[Noise Curve](#)
[Operation Manual](#)
[Product Image](#)
[Spare Parts List All Pages](#)
[Specifications](#)
[Wiring Diagram](#)

#### Related Items

[UTREV09XB](#)
[UTYRNRYZ5](#)
[UTYRCRYZ1](#)
[UTYRSRY](#)
[UTYRHRV](#)
[UTYLNHY](#)
[UTYTFXSZ1](#)

- VRF Expansion Valve Kit, size 4 to 9 indoor units
- Touch Screen Remote Controller
- Compact Simple Remote controller
- Simple Remote Controller (with Master Control)
- Simple Remote Controller (without Master Control)
- Wireless Remote Controller
- Wireless LAN interface



\*Specifications and design are subject to change without notice for further improvement.

\*Actual products' colors may be different from the colors shown in this printed material.

### AGYE014GCEH

Please visit our webstore for full product and technical documentation 

Unit Type	Compact Floor (External EEV)	
Remote Controller	Option	
Nominal Cooling Capacity (kW)	4.5	
UK Total Cooling Capacity (kW)	3.0	
UK Sensible Cooling Capacity (kW)	2.5	
Nominal Heating Capacity (kW)	4.7	
UK Heating Capacity (kW)	4.5	
Height (mm)	600	
Width (mm)	740	
Depth (mm)	200	
Weight (kg)	14.5	
Airflow Rate - Cooling - High (m3/h)	670	
Sound Pressure Level - Cooling - High (dB(A))	46	
Sound Pressure Level - Cooling - Low (dB(A))	33	
Refrigerant Type (Global Warming Potential)	R410A (2,088)	
Liquid Pipe Size	1/4"	
Gas Pipe Size	1/2"	
Unit Power Supply	1Ph-230V-50Hz	



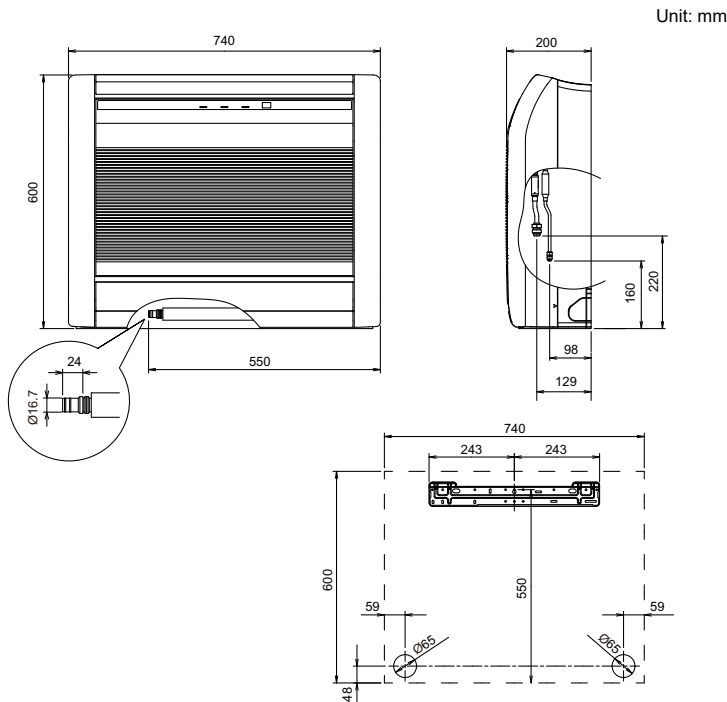
#### Document Downloads

[Air Distribution](#)
[Airflow](#)
[Cooling Capacity](#)
[Dimensional Drawing](#)
[Electrical Characteristics](#)
[Heating Capacity](#)
[Installation Manual](#)
[Noise Curve](#)
[Operation Manual](#)
[Product Image](#)
[Spare Parts List All Pages](#)
[Specifications](#)
[Wiring Diagram](#)

#### Related Items

[UTREV09XB](#)
[UTYRNRYZ5](#)
[UTYRCRYZ1](#)
[UTYRSRY](#)
[UTYRHRV](#)
[UTYLNHY](#)
[UTYFSSXZ1](#)

- VRF Expansion Valve Kit, size 4 to 9 indoor units
- Touch Screen Remote Controller
- Compact Simple Remote controller
- Simple Remote Controller (with Master Control)
- Simple Remote Controller (without Master Control)
- Wireless Remote Controller
- Wireless LAN interface



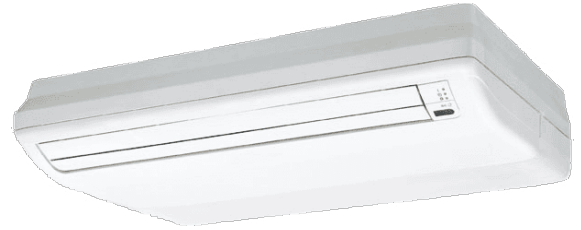
\*Specifications and design are subject to change without notice for further improvement.

\*Actual products' colors may be different from the colors shown in this printed material.

# ABYA012GTEH

Please visit our webstore for full product and technical documentation

Unit Type	Floor - Ceiling
Remote Controller	Option
Nominal Cooling Capacity (kW)	3.6
UK Total Cooling Capacity (kW)	2.7
UK Sensible Cooling Capacity (kW)	2.4
Nominal Heating Capacity (kW)	3.8
UK Heating Capacity (kW)	4.0
Height (mm)	199
Width (mm)	990
Depth (mm)	655
Weight (kg)	25
Airflow Rate - Cooling - High (m3/h)	660
Sound Pressure Level - Cooling - High (dB(A))	36
Sound Pressure Level - Cooling - Low (dB(A))	29
Refrigerant Type (Global Warming Potential)	R410A (2,088)
Liquid Pipe Size	1/4"
Gas Pipe Size	1/2"
Unit Power Supply	1Ph-230V-50Hz

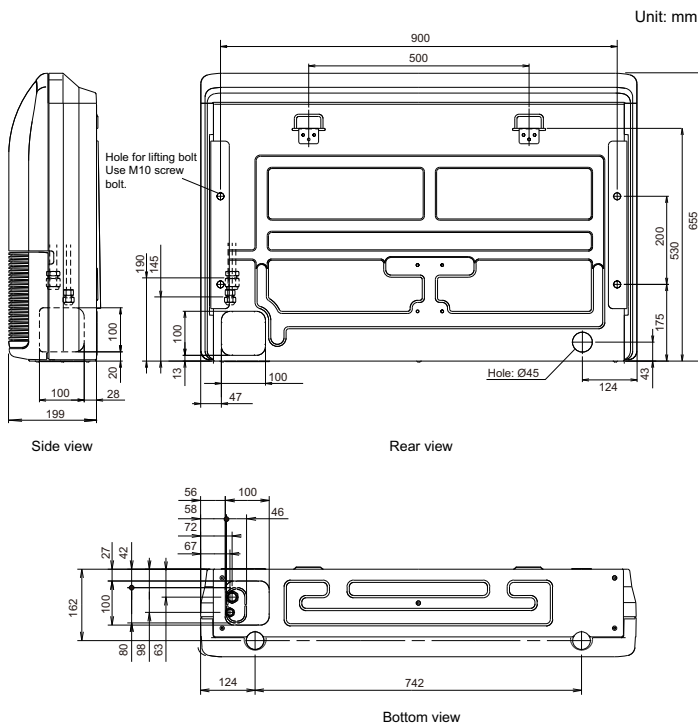


**Document Downloads**

- [Air Distribution](#)
- [Product Image](#)
- [Airflow](#)
- [Spare Parts List All Pages](#)
- [Cooling Capacity](#)
- [Specifications](#)
- [Dimensional Drawing](#)
- [Wiring Diagram](#)
- [Electrical Characteristics](#)
- [Heating Capacity](#)
- [Installation Manual](#)
- [Noise Curve](#)
- [Operation Manual](#)

**Related Items**

- [UTYRNRZ5](#) Touch Screen Remote Controller
- [UTYRCRYZ1](#) Compact Simple Remote controller
- [UTYRSRY](#) Simple Remote Controller (with Master Control)
- [UTYRHRY](#) Simple Remote Controller (without Master Control)
- [UTYLNHY](#) Wireless Remote Controller
- [UTYTF SXZ1](#) Wireless LAN interface

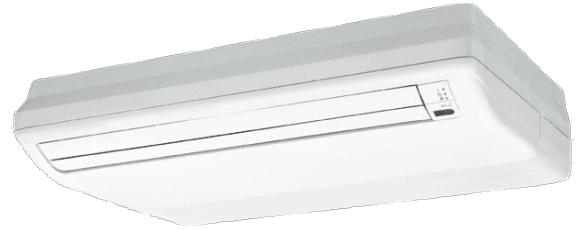


\*Specifications and design are subject to change without notice for further improvement.  
 •Actual products' colors may be different from the colors shown in this printed material.

### ABYA014GTEH

Please visit our webstore for full product and technical documentation 

Unit Type	Floor - Ceiling
Remote Controller	Option
Nominal Cooling Capacity (kW)	4.5
UK Total Cooling Capacity (kW)	3.3
UK Sensible Cooling Capacity (kW)	3.0
Nominal Heating Capacity (kW)	4.7
UK Heating Capacity (kW)	5.0
Height (mm)	199
Width (mm)	990
Depth (mm)	655
Weight (kg)	26
Airflow Rate - Cooling - High (m3/h)	780
Sound Pressure Level - Cooling - High (dB(A))	40
Sound Pressure Level - Cooling - Low (dB(A))	35
Refrigerant Type (Global Warming Potential)	R410A (2,088)
Liquid Pipe Size	1/4"
Gas Pipe Size	1/2"
Unit Power Supply	1Ph-230V-50Hz



#### Document Downloads

[Air Distribution](#)
[Airflow](#)
[Cooling Capacity](#)
[Dimensional Drawing](#)
[Electrical Characteristics](#)
[Heating Capacity](#)
[Installation Manual](#)
[Noise Curve](#)
[Operation Manual](#)
[Product Image](#)
[Spare Parts List All Pages](#)
[Specifications](#)
[Wiring Diagram](#)

#### Related Items

[UTYRNRZ5](#)
[UTYRCRYZ1](#)
[UTYRSRY](#)
[UTYRHRY](#)
[UTYLNHY](#)
[UTYTF SXZ1](#)

Touch Screen Remote Controller

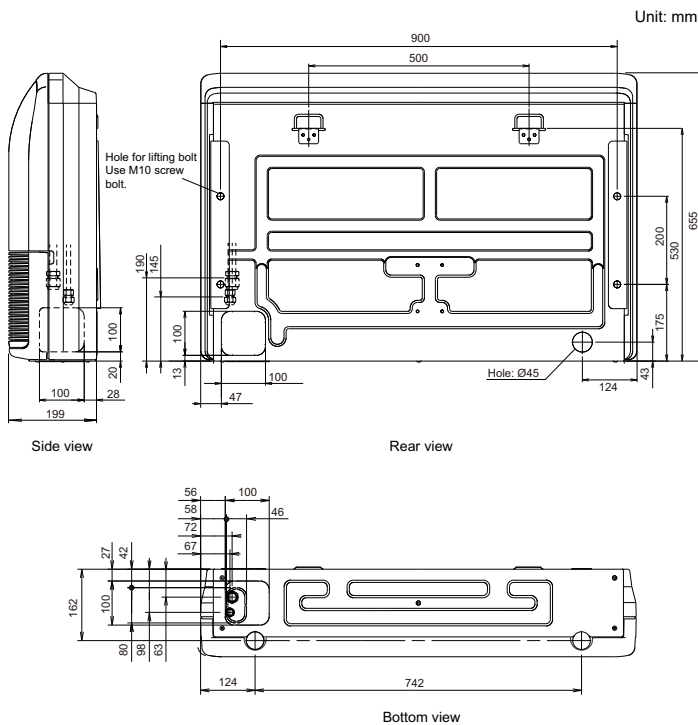
Compact Simple Remote controller

Simple Remote Controller (with Master Control)

Simple Remote Controller (without Master Control)

Wireless Remote Controller

Wireless LAN interface



\*Specifications and design are subject to change without notice for further improvement.

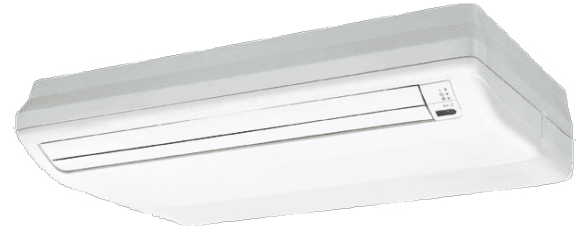
\*Actual products' colors may be different from the colors shown in this printed material.



# ABYA018GTEH

Please visit our webstore for full product and technical documentation

Unit Type	Floor - Ceiling
Remote Controller	Option
Nominal Cooling Capacity (kW)	5.6
UK Total Cooling Capacity (kW)	4.2
UK Sensible Cooling Capacity (kW)	3.8
Nominal Heating Capacity (kW)	5.9
UK Heating Capacity (kW)	6.3
Height (mm)	199
Width (mm)	990
Depth (mm)	655
Weight (kg)	26
Airflow Rate - Cooling - High (m3/h)	1000
Sound Pressure Level - Cooling - High (dB(A))	46
Sound Pressure Level - Cooling - Low (dB(A))	37
Refrigerant Type (Global Warming Potential)	R410A (2,088)
Liquid Pipe Size	1/4"
Gas Pipe Size	1/2"
Unit Power Supply	1Ph-230V-50Hz

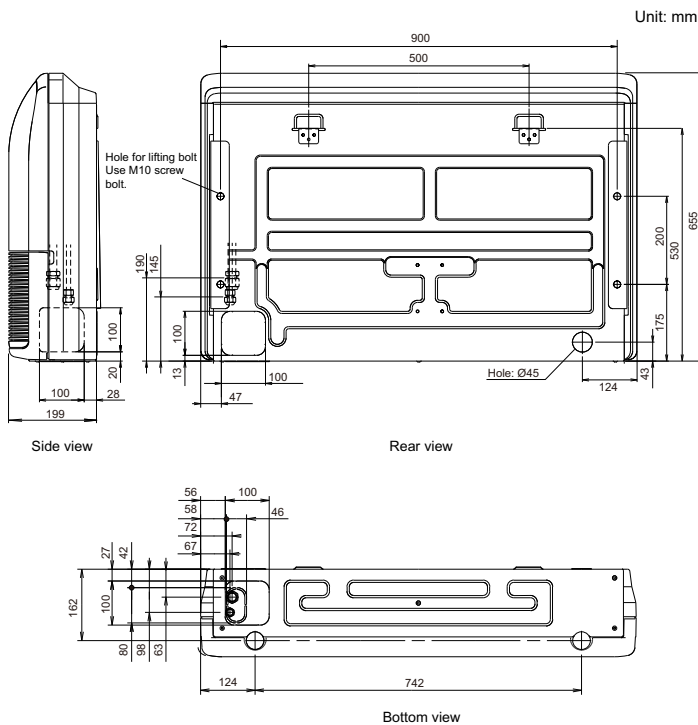


**Document Downloads**

- [Air Distribution](#)
- [Airflow](#)
- [Cooling Capacity](#)
- [Dimensional Drawing](#)
- [Electrical Characteristics](#)
- [Heating Capacity](#)
- [Installation Manual](#)
- [Noise Curve](#)
- [Operation Manual](#)
- [Product Image](#)
- [Spare Parts List All Pages](#)
- [Specifications](#)
- [Wiring Diagram](#)

**Related Items**

- [UTYRNRZ5](#) Touch Screen Remote Controller
- [UTYRCRYZ1](#) Compact Simple Remote controller
- [UTYRSRY](#) Simple Remote Controller (with Master Control)
- [UTYRHRY](#) Simple Remote Controller (without Master Control)
- [UTYLNHY](#) Wireless Remote Controller
- [UTYTF SXZ1](#) Wireless LAN interface

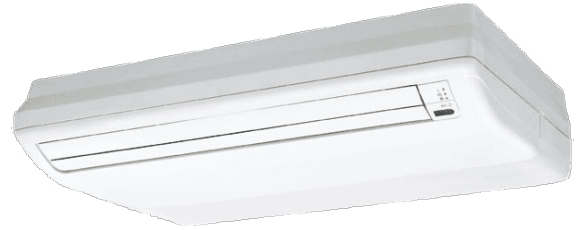


\*Specifications and design are subject to change without notice for further improvement.  
 •Actual products' colors may be different from the colors shown in this printed material.

### ABYA024GTEH

Please visit our webstore for full product and technical documentation 

Unit Type	Floor - Ceiling
Remote Controller	Option
Nominal Cooling Capacity (kW)	7.1
UK Total Cooling Capacity (kW)	5.3
UK Sensible Cooling Capacity (kW)	4.2
Nominal Heating Capacity (kW)	7.4
UK Heating Capacity (kW)	8.0
Height (mm)	199
Width (mm)	990
Depth (mm)	655
Weight (kg)	27
Airflow Rate - Cooling - High (m3/h)	1000
Sound Pressure Level - Cooling - High (dB(A))	47
Sound Pressure Level - Cooling - Low (dB(A))	39
Refrigerant Type (Global Warming Potential)	R410A (2,088)
Liquid Pipe Size	3/8"
Gas Pipe Size	5/8"
Unit Power Supply	1Ph-230V-50Hz



#### Document Downloads

[Air Distribution](#)
[Airflow](#)
[Cooling Capacity](#)
[Dimensional Drawing](#)
[Electrical Characteristics](#)
[Heating Capacity](#)
[Installation Manual](#)
[Noise Curve](#)
[Operation Manual](#)
[Product Image](#)
[Spare Parts List All Pages](#)
[Specifications](#)
[Wiring Diagram](#)

#### Related Items

[UTYRNRZ5](#)
[UTYRCRYZ1](#)
[UTYRSRY](#)
[UTYRHRY](#)
[UTYLNHY](#)
[UTYTF5XZ1](#)

Touch Screen Remote Controller

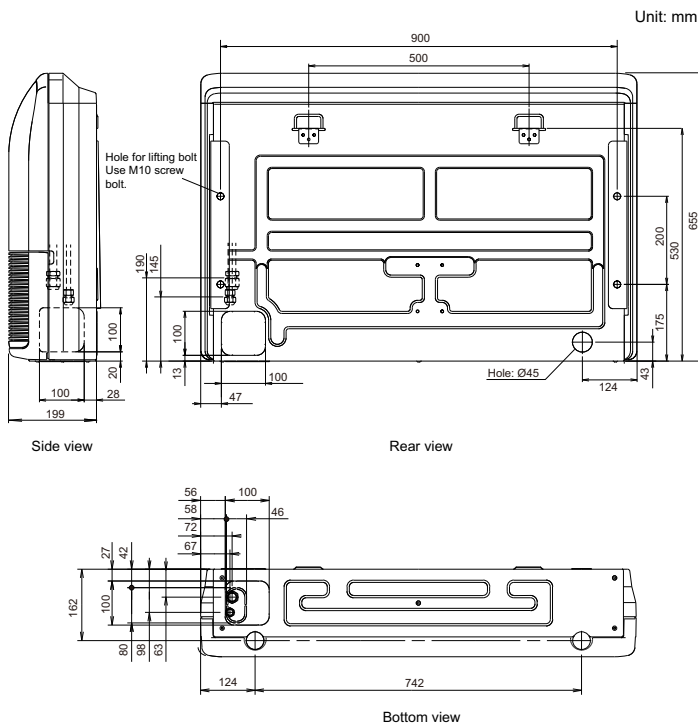
Compact Simple Remote controller

Simple Remote Controller (with Master Control)

Simple Remote Controller (without Master Control)

Wireless Remote Controller

Wireless LAN interface



\*Specifications and design are subject to change without notice for further improvement.

\*Actual products' colors may be different from the colors shown in this printed material.

### ABYA030GTEH

Please visit our webstore for full product and technical documentation 

Unit Type	Remote Controller	Option	Ceiling Suspended
Nominal Cooling Capacity (kW)	9.0		
UK Total Cooling Capacity (kW)	6.7		
UK Sensible Cooling Capacity (kW)	6.1		
Nominal Heating Capacity (kW)	9.3		
UK Heating Capacity (kW)	10.0		
Height (mm)	240		
Width (mm)	1660		
Depth (mm)	700		
Weight (kg)	46		
Airflow Rate - Cooling - High (m3/h)	1630		
Sound Pressure Level - Cooling - High (dB(A))	42		
Sound Pressure Level - Cooling - Low (dB(A))	35		
Refrigerant Type (Global Warming Potential)	R410A (2,088)		
Liquid Pipe Size	3/8"		
Gas Pipe Size	5/8"		
Unit Power Supply	1Ph-230V-50Hz		

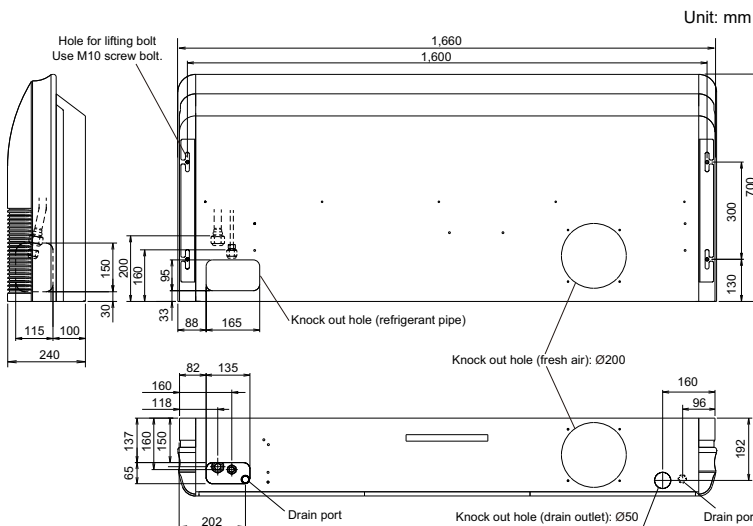


#### Document Downloads

- [Air Distribution](#)
- [Airflow](#)
- [Cooling Capacity](#)
- [Dimensional Drawing](#)
- [Electrical Characteristics](#)
- [Heating Capacity](#)
- [Installation Manual](#)
- [Noise Curve](#)
- [Operation Manual](#)
- [Product Image](#)
- [Spare Parts List All Pages](#)
- [Specifications](#)
- [Wiring Diagram](#)

#### Related Items

- [UTRDPB24T](#) Drain Pump Unit (for Ceiling type)
- [UTYRNRYZ5](#) Touch Screen Remote Controller
- [UTYRCRYZ1](#) Compact Simple Remote controller
- [UTYRSRY](#) Simple Remote Controller (with Master Control)
- [UTYRHRY](#) Simple Remote Controller (without Master Control)
- [UTYLNHY](#) Wireless Remote Controller
- [UTYTF SXZ1](#) Wireless LAN interface



\*Specifications and design are subject to change without notice for further improvement.  
 •Actual products' colors may be different from the colors shown in this printed material.

### ABYA036GTEH

Please visit our webstore for full product and technical documentation 

Unit Type	Ceiling Suspended	
Remote Controller	Option	
Nominal Cooling Capacity (kW)	11.2	
UK Total Cooling Capacity (kW)	8.3	
UK Sensible Cooling Capacity (kW)	6.9	
Nominal Heating Capacity (kW)	11.6	
UK Heating Capacity (kW)	12.5	
Height (mm)	240	
Width (mm)	1660	
Depth (mm)	700	
Weight (kg)	48	
Airflow Rate - Cooling - High (m3/h)	1690	
Sound Pressure Level - Cooling - High (dB(A))	45	
Sound Pressure Level - Cooling - Low (dB(A))	36	
Refrigerant Type (Global Warming Potential)	R410A (2,088)	
Liquid Pipe Size	3/8"	
Gas Pipe Size	5/8"	
Unit Power Supply	1Ph-230V-50Hz	

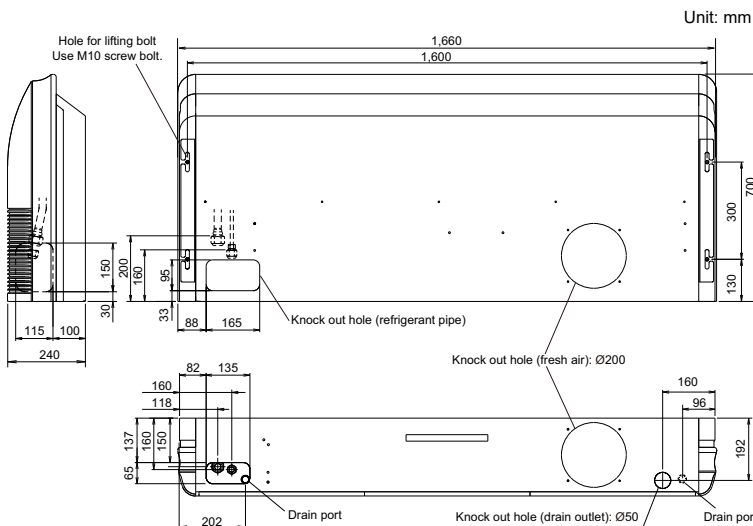


#### Document Downloads

- [Air Distribution](#)
- [Airflow](#)
- [Cooling Capacity](#)
- [Dimensional Drawing](#)
- [Electrical Characteristics](#)
- [Heating Capacity](#)
- [Installation Manual](#)
- [Noise Curve](#)
- [Operation Manual](#)
- [Product Image](#)
- [Spare Parts List All Pages](#)
- [Specifications](#)
- [Wiring Diagram](#)

#### Related Items

- [UTRDPB24T](#) Drain Pump Unit (for Ceiling type)
- [UTYRNRZY5](#) Touch Screen Remote Controller
- [UTYRCRYZ1](#) Compact Simple Remote controller
- [UTYRSRY](#) Simple Remote Controller (with Master Control)
- [UTYRHRY](#) Simple Remote Controller (without Master Control)
- [UTYLNHY](#) Wireless Remote Controller
- [UTYTF SXZ1](#) Wireless LAN interface



\*Specifications and design are subject to change without notice for further improvement.  
 •Actual products' colors may be different from the colors shown in this printed material.

### ABYA045GTEH

Please visit our webstore for full product and technical documentation 

Unit Type	Ceiling Suspended	
Remote Controller	Option	
Nominal Cooling Capacity (kW)	12.5	
UK Total Cooling Capacity (kW)	9.3	
UK Sensible Cooling Capacity (kW)	7.9	
Nominal Heating Capacity (kW)	13.0	
UK Heating Capacity (kW)	14.0	
Height (mm)	240	
Width (mm)	1660	
Depth (mm)	700	
Weight (kg)	48	
Airflow Rate - Cooling - High (m3/h)	2010	
Sound Pressure Level - Cooling - High (dB(A))	48	
Sound Pressure Level - Cooling - Low (dB(A))	38	
Refrigerant Type (Global Warming Potential)	R410A (2,088)	
Liquid Pipe Size	3/8"	
Gas Pipe Size	5/8"	
Unit Power Supply	1Ph-230V-50Hz	

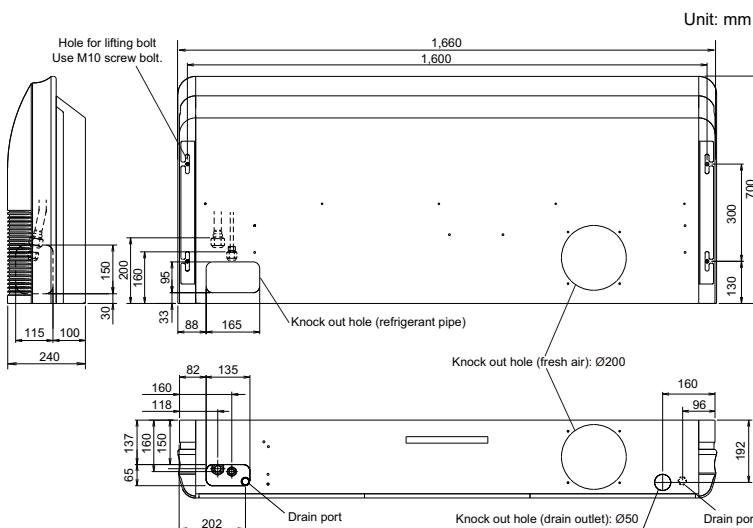


#### Document Downloads

- [Air Distribution](#)
- [Airflow](#)
- [Cooling Capacity](#)
- [Dimensional Drawing](#)
- [Electrical Characteristics](#)
- [Heating Capacity](#)
- [Installation Manual](#)
- [Noise Curve](#)
- [Operation Manual](#)
- [Product Image](#)
- [Spare Parts List All Pages](#)
- [Specifications](#)
- [Wiring Diagram](#)

#### Related Items

- [UTRDPB24T](#) Drain Pump Unit (for Ceiling type)
- [UTYRNRYZ5](#) Touch Screen Remote Controller
- [UTYRCRYZ1](#) Compact Simple Remote controller
- [UTYRSRY](#) Simple Remote Controller (with Master Control)
- [UTYRHRY](#) Simple Remote Controller (without Master Control)
- [UTYLNHY](#) Wireless Remote Controller
- [UTYTF SXZ1](#) Wireless LAN interface



\*Specifications and design are subject to change without notice for further improvement.  
 •Actual products' colors may be different from the colors shown in this printed material.

### ABYA054GTEH

Please visit our webstore for full product and technical documentation 

Unit Type	Ceiling Suspended	
Remote Controller	Option	
Nominal Cooling Capacity (kW)	14.0	
UK Total Cooling Capacity (kW)	10.4	
UK Sensible Cooling Capacity (kW)	8.9	
Nominal Heating Capacity (kW)	14.9	
UK Heating Capacity (kW)	16.0	
Height (mm)	240	
Width (mm)	1660	
Depth (mm)	700	
Weight (kg)	48	
Airflow Rate - Cooling - High (m3/h)	2270	
Sound Pressure Level - Cooling - High (dB(A))	51	
Sound Pressure Level - Cooling - Low (dB(A))	40	
Refrigerant Type (Global Warming Potential)	R410A (2,088)	
Liquid Pipe Size	3/8"	
Gas Pipe Size	5/8"	
Unit Power Supply	1Ph-230V-50Hz	

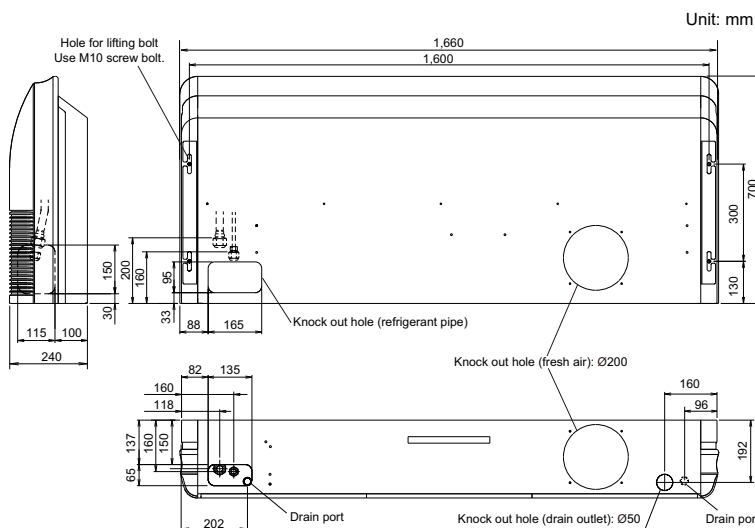


#### Document Downloads

- [Air Distribution](#)
- [Airflow](#)
- [Cooling Capacity](#)
- [Dimensional Drawing](#)
- [Electrical Characteristics](#)
- [Heating Capacity](#)
- [Installation Manual](#)
- [Noise Curve](#)
- [Operation Manual](#)
- [Product Image](#)
- [Spare Parts List All Pages](#)
- [Specifications](#)
- [Wiring Diagram](#)

#### Related Items

- [UTRDPB24T](#) Drain Pump Unit (for Ceiling type)
- [UTYRNRYZ5](#) Touch Screen Remote Controller
- [UTYRCRYZ1](#) Compact Simple Remote controller
- [UTYRSRY](#) Simple Remote Controller (with Master Control)
- [UTYRHRY](#) Simple Remote Controller (without Master Control)
- [UTYLNHY](#) Wireless Remote Controller
- [UTYTF SXZ1](#) Wireless LAN interface



\*Specifications and design are subject to change without notice for further improvement.  
 •Actual products' colors may be different from the colors shown in this printed material.



**FUJITSU** | AIR CONDITIONING

FUJITSU GENERAL AIR CONDITIONING (UK) LIMITED  
Unit 150, Centennial Park, Centennial Avenue, Elstree, Borehamwood, Herts, WD6 3SG  
[www.fujitsu-general.com/uk](http://www.fujitsu-general.com/uk)  
Tel: +44 (0) 208 731 3450 Fax: +44 (0) 208 731 3451