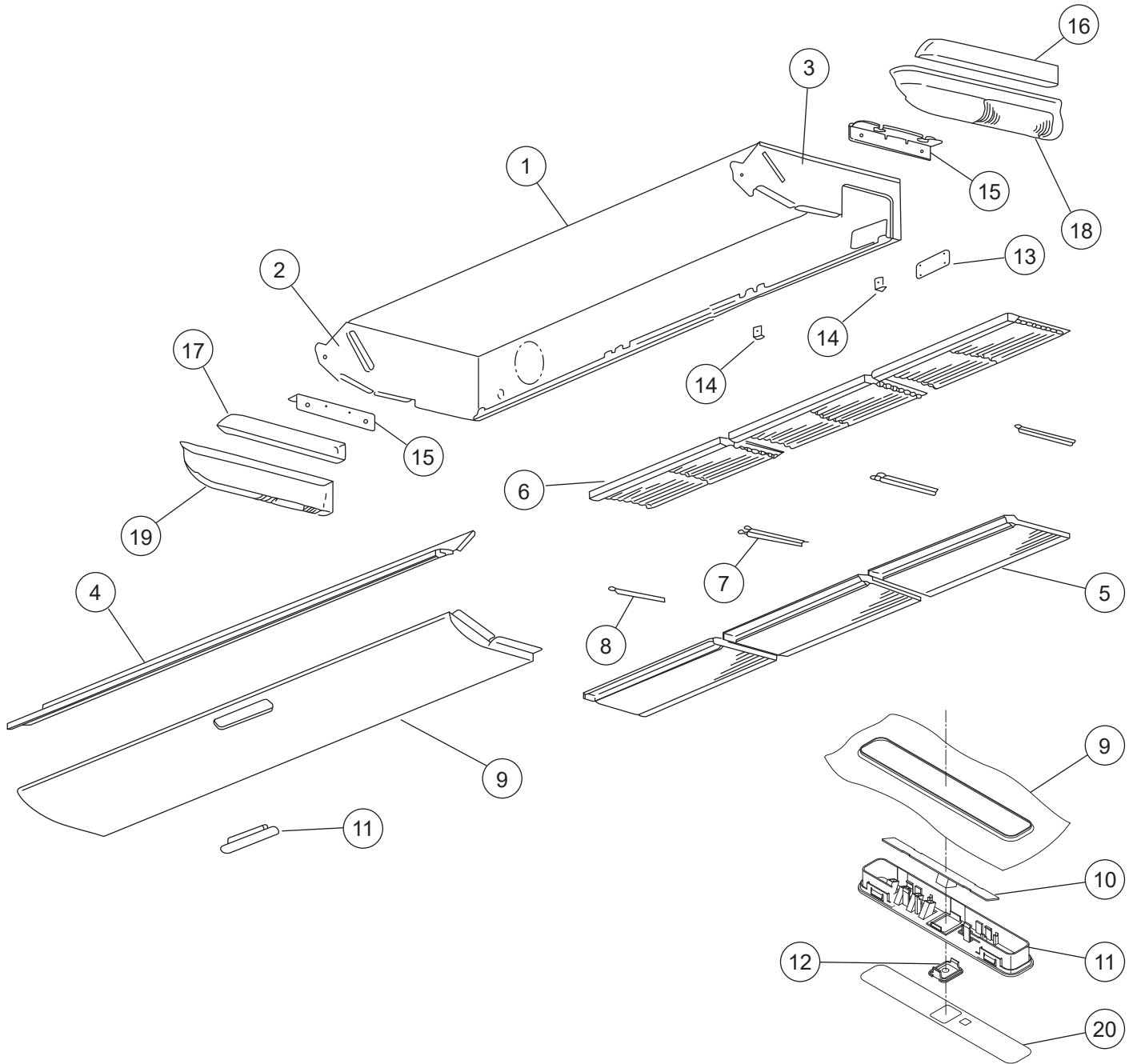
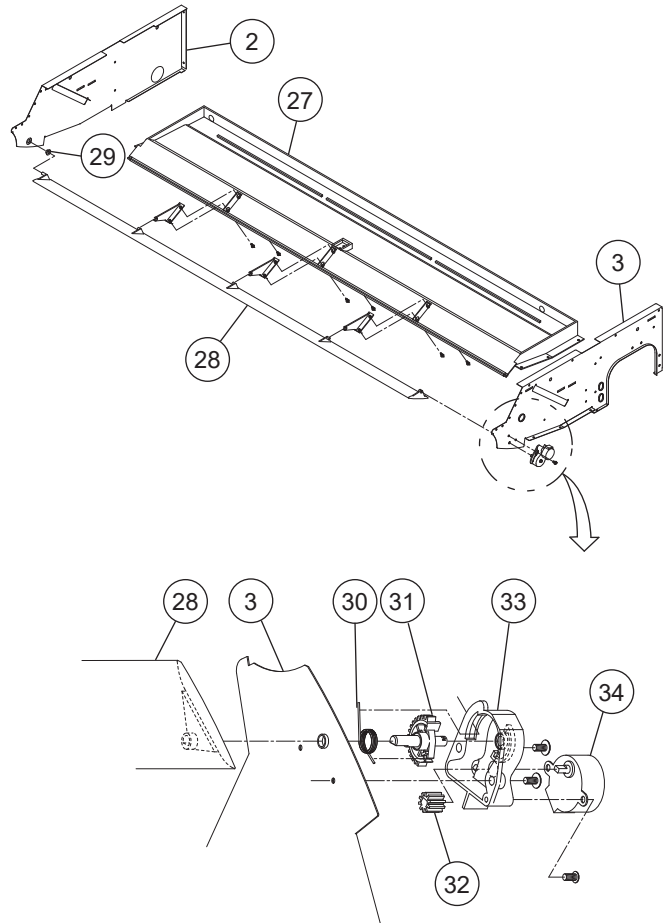
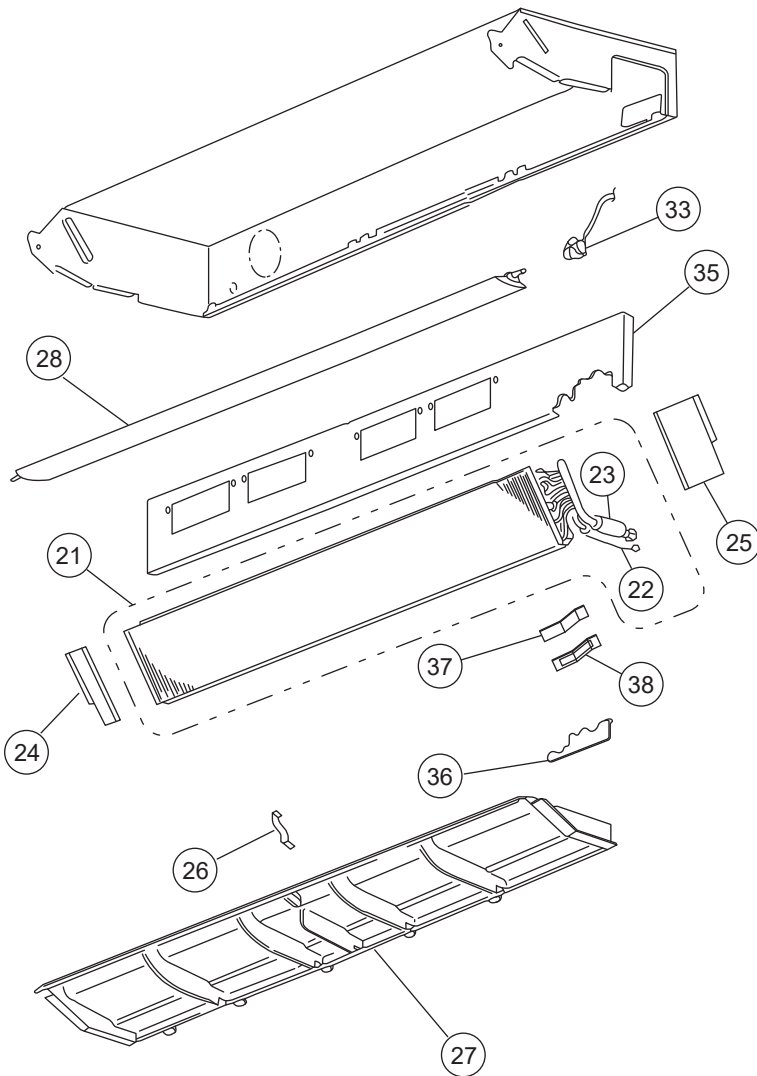


MODELS : AB*A030/ 036/ 045/ 054GTEH



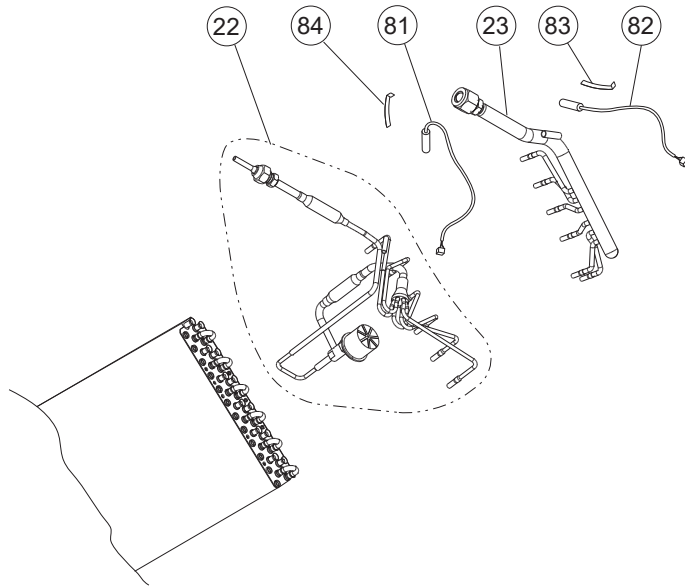
Ref No.	Description	Parts No.				Q'ty
		AB*A030GTEH	AB*A036GTEH	AB*A045GTEH	AB*A054GTEH	
1	KIT (BASE SUB ASSY)	9371360010	9371360010	9371360010	9371360010	
2	PANEL LEFT SUB ASSY	9360427014	9360427014	9360427014	9360427014	
3	KIT (PANEL RIGHT SUB ASSY)	9371361017	9371361017	9371361017	9371361017	
4	COVER (TOP)	9359737018	9359737018	9359737018	9359737018	
5	INTAKE GRILLE	9359738015	9359738015	9359738015	9359738015	
6	AIR FILTER	9359739012	9359739012	9359739012	9359739012	
7	FILTER GUIDE R	9359692003	9359692003	9359692003	9359692003	
8	FILTER GUIDE L	9359693000	9359693000	9359693000	9359693000	
9	FRONT PANEL	9359734017	9359734017	9359734017	9359734017	
10	INDICATOR PCB ASSY	9705891043	9705891043	9705891043	9705891043	
11	PCB HOLDER	9359736011	9359736011	9359736011	9359736011	
12	RECEIVER COVER	9359714002	9359714002	9359714002	9359714002	
13	HOLE COVER	9359691006	9359691006	9359691006	9359691006	
14	HINGE PLATE (GRILLE)	9359694007	9359694007	9359694007	9359694007	
15	HANGER BRACKET	9359742005	9359742005	9359742005	9359742005	
16	COVER (DECORATION) R	9359744016	9359744016	9359744016	9359744016	
17	COVER (DECORATION) L	9359745013	9359745013	9359745013	9359745013	
18	KIT (SIDE COVER R)	9371364025	9371364025	9371364025	9371364025	
19	KIT (SIDE COVER L)	9371365022	9371365022	9371365022	9371365022	
20	BADGE (FUJITSU)	9359735120	9359735120	9359735120	9359735120	
20	BADGE (GENERAL)	9359735137	9359735137	9359735137	9359735137	

MODELS : AB*A030/ 036/ 045/ 054GTEH

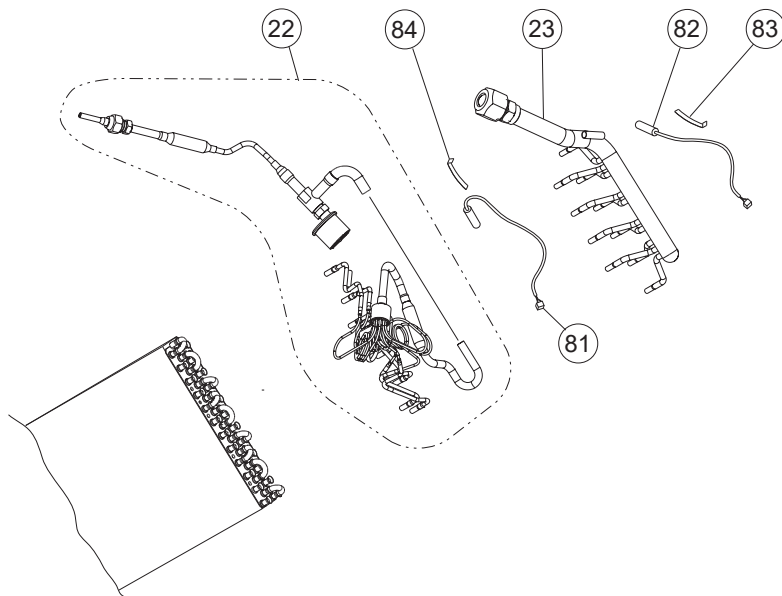


Ref No.	Description	Parts No.				Q'ty
		AB*A030GTEH	AB*A036GTEH	AB*A045GTEH	AB*A054GTEH	
2	PANEL LEFT SUB ASSY	9360427014	9360427014	9360427014	9360427014	
3	KIT (PANEL RIGHT ASSY)	9371361017	9371361017	9371361017	9371361017	
21	EVAPORATOR SUB ASSY	9360428493	9360428509	9360428509	9360428509	
22	DISTRIBUTOR ASSY	9380354338	9380354345	9380354345	9380354345	
23	COUPLING PIPE ASSY	9371661063	9371661070	9371661070	9371661070	
24	KIT (PANEL PIPE L) SUB ASSY	9371362014	9371362014	9371362014	9371362014	
25	KIT (PANEL PIPE R) SUB ASSY	9371363028	9371363059	9371363059	9371363059	
26	REINFORCEMENT METAL	9359697008	9359697008	9359697008	9359697008	
27	DRAIN PAN SUB ASSY	9360429032	9360429032	9360429032	9360429032	
28	FLAP ASSY	9359731016	9359731016	9359731016	9359731016	
29	BUSHING	9359733003	9359733003	9359733003	9359733003	
30	FLAP SPRING	9359730002	9359730002	9359730002	9359730002	
31	SECTOR GEAR	9359729006	9359729006	9359729006	9359729006	
32	PINION GEAR	9359728009	9359728009	9359728009	9359728009	
33	MOTOR BASE	9359727002	9359727002	9359727002	9359727002	
34	STEP MOTOR V	9900362010	9900362010	9900362010	9900362010	
35	KIT (SEPARATE WALL SUB ASSY)	9371366029	9371366036	9371366036	9371366036	
36	PIPE FIXTURE METAL	9359688006	9359688006	9359688006	9359688006	
37	EVA BRACKET A SUB ASSY	9371363035	9371363035	9371363035	9371363035	
38	EVA BRACKET B SUB ASSY	9371363042	9371363042	9371363042	9371363042	
--	DRAIN CAP	9358746004	9358746004	9358746004	9358746004	

MODEL : AB*A030GTEH

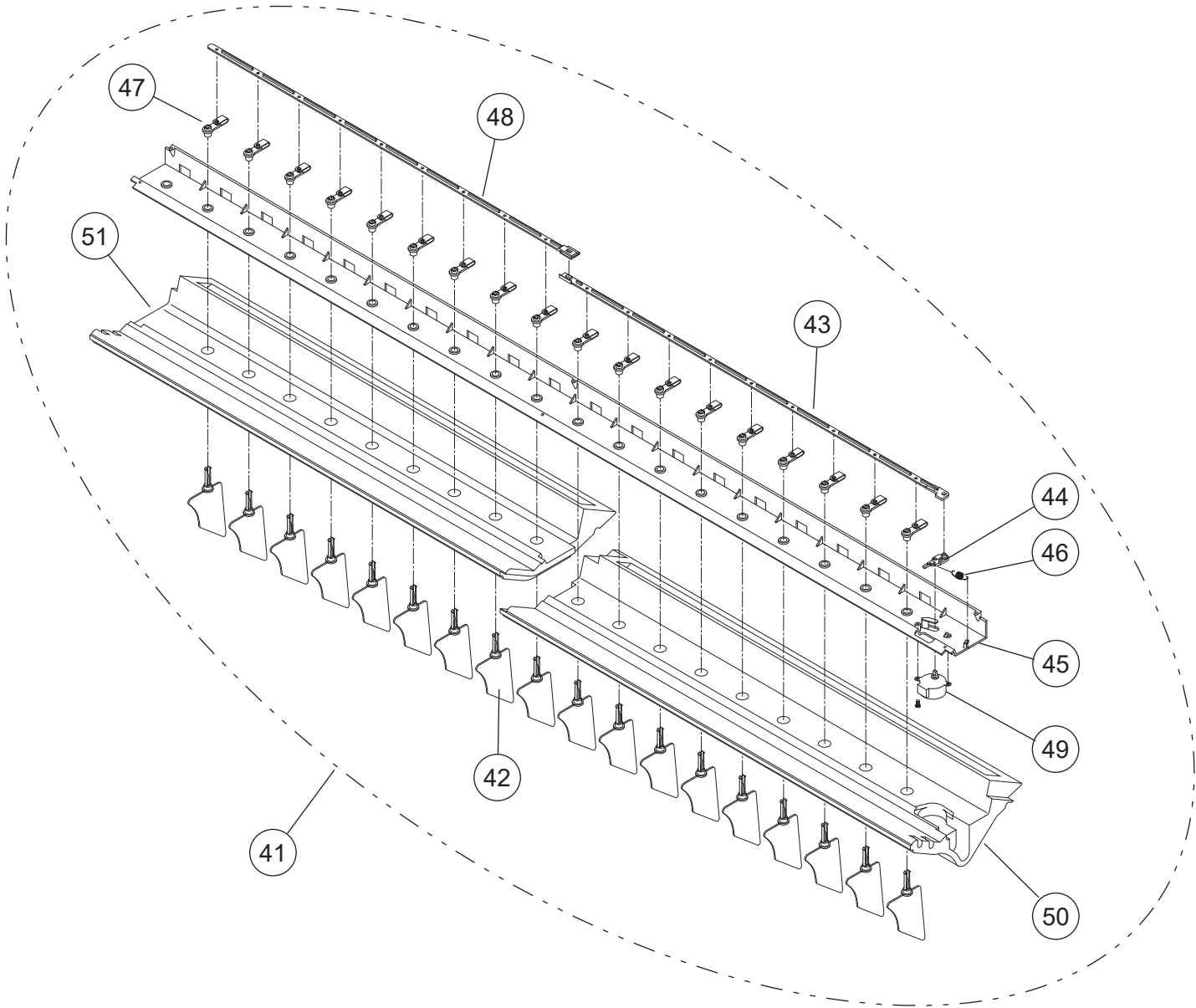


MODELS : AB*A036/ 045/ 054GTEH



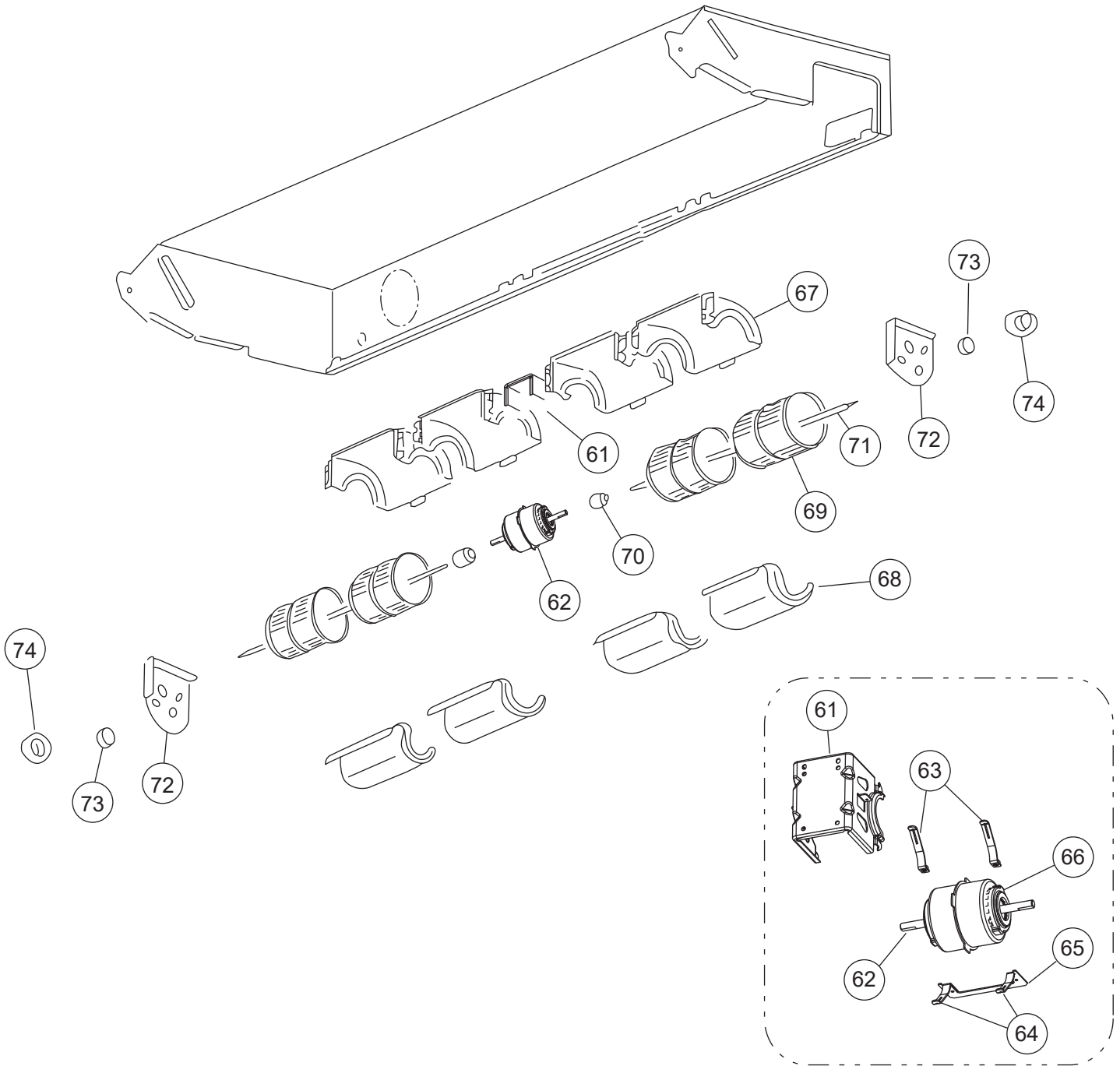
Ref No.	Description	Parts No.				Q'ty
		AB*A030GTEH	AB*A036GTEH	AB*A045GTEH	AB*A054GTEH	
22	DISTRIBUTOR ASSY	9380354338	9380354345	9380354345	9380354345	
23	COUPLING PIPE ASSY	9371661063	9371661056	9371661056	9371661056	
81	THERMISTOR (PIPE-IN)	9901014024	9901014024	9901014024	9901014024	
82	THERMISTOR (PIPE-OUT)	9900881078	9900881078	9900881078	9900881078	
83	THERMISTOR SPRING A	313728262708	313728262708	313728262708	313728262708	
84	THERMISTOR SPRING B	9316577008	9316577008	9316577008	9316577008	

MODELS : AB*A030/ 036/ 045/ 054GTEH



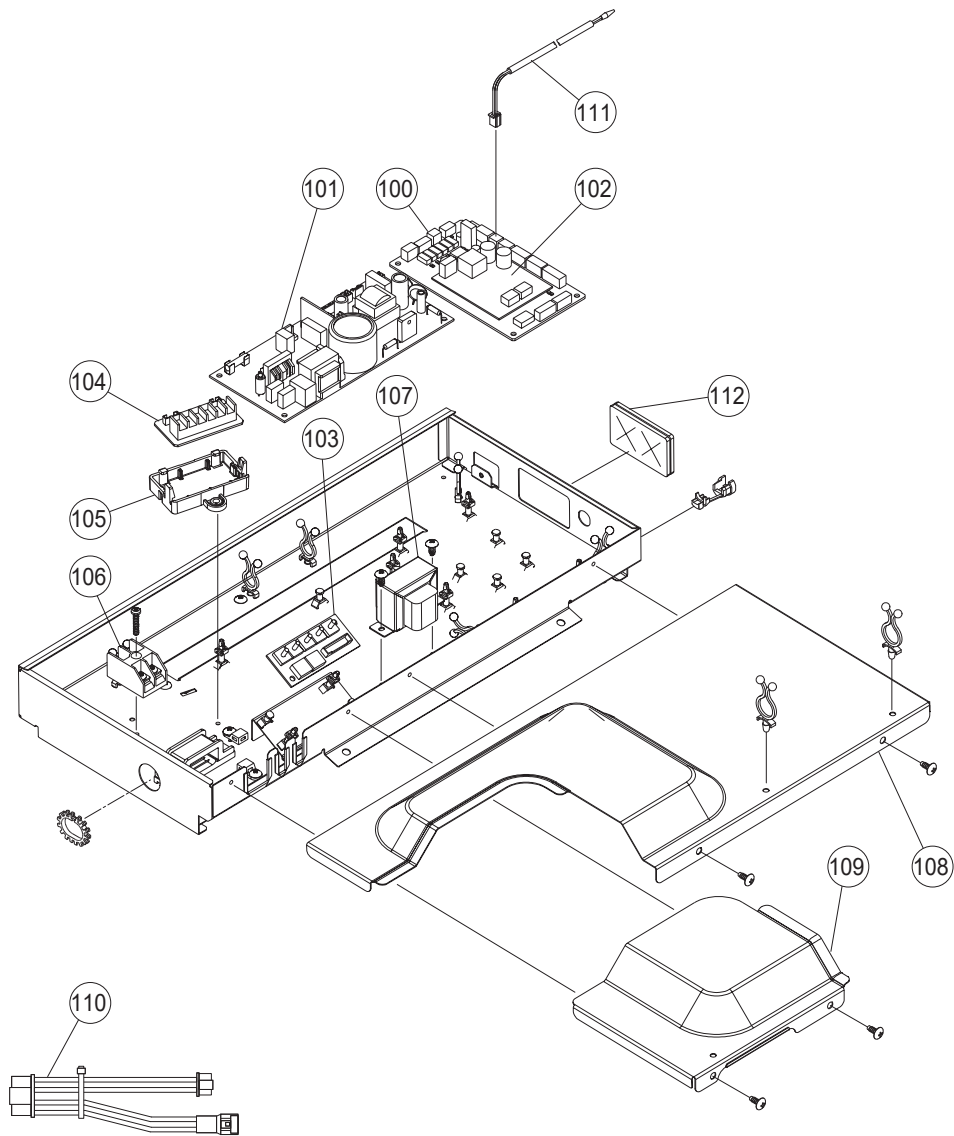
Ref No.	Description	Parts No.				Q'ty
		AB*A030GTEH	AB*A036GTEH	AB*A045GTEH	AB*A054GTEH	
41	LOUVER BASE ASSY	9360432049	9360432049	9360432049	9360432049	
42	LOUVER	9359719014	9359719014	9359719014	9359719014	
43	ROD (MOTOR)	9359723004	9359723004	9359723004	9359723004	
44	LOUVER LINK	9359726005	9359726005	9359726005	9359726005	
45	LOUVER BASE	9359718000	9359718000	9359718000	9359718000	
46	LOUVER SPRING	9359720003	9359720003	9359720003	9359720003	
47	LOUVER STOPPER	9359724001	9359724001	9359724001	9359724001	
48	LOUVER ROD	9359725008	9359725008	9359725008	9359725008	
49	STEP MOTOR -H	9900297015	9900297015	9900297015	9900297015	
50	LOUVER INSULATION R	9359721000	9359721000	9359721000	9359721000	
51	LOUVER INSULATION L	9359722007	9359722007	9359722007	9359722007	

MODELS : AB*A030/ 036/ 045/ 054GTEH



Ref No.	Description	Parts No.				Q'ty
		AB*A030GTEH	AB*A036GTEH	AB*A045GTEH	AB*A054GTEH	
61	MOTOR MOUNT	9377999016	9377999016	9377999016	9377999016	
62	FAN MOTOR	9603286019	9603286019	9603286019	9603286019	
63	MOTOR BAND A ASSY	9374647019	9374647019	9374647019	9374647019	
64	MOTOR BAND B	9374648023	9374648023	9374648023	9374648023	
65	REINFORCEMENT MOTOR BAND	9378000018	9378000018	9378000018	9378000018	
66	RUBBER	9385102002	9385102002	9385102002	9385102002	
67	CASING	9359704003	9359704003	9359704003	9359704003	
68	KIT (COVER CASING) SUB ASSY	9371367019	9371367019	9371367019	9371367019	
69	SIROCCO FAN ASSY	9359701002	9359701002	9359701002	9359701002	
70	JOINT ASSY	9378038011	9378038011	9378038011	9378038011	
71	SHAFT	9359707004	9359707004	9359707004	9359707004	
72	SHAFT HOLDER BRACKET	9359686002	9359686002	9359686002	9359686002	
73	BEARING B ASSY	9357921006	9357921006	9357921006	9357921006	
74	SHAFT HOLDER FIXTURE	9359687009	9359687009	9359687009	9359687009	

MODELS : AB*A030/ 036/ 045/ 054GTEH



Ref No.	Description	Parts No.				Q'ty
		AB*A030GTEH	AB*A036GTEH	AB*A045GTEH	AB*A054GTEH	
100	CONTROLLER PCB	9711039088	9711039088	9711039088	9711039088	
101	POWER SUPPLY PCB	9711356031	9711356031	9711356031	9711356031	
102	COMMUNICATION PCB	9709373019	9709373019	9709373019	9709373019	
103	SWITCH PCB	9707732030	9707732030	9707732030	9707732030	
104	TERMINAL PCB	9707736014	9707736014	9707736014	9707736014	
105	PWB HOLDER B	9378345010	9378345010	9378345010	9378345010	
106	TERMINAL 2P	9703873027	9703873027	9703873027	9703873027	
107	REACTOR ASSY	9707457018	9707457018	9707457018	9707457018	
108	CONTROL BOX A	9359712008	9359712008	9359712008	9359712008	
109	CONTROL BOX B	9359713005	9359713005	9359713005	9359713005	
110	THERMISTOR CONNECTION WIRE	9707854053	9707854053	9707854053	9707854053	
111	THERMISTOR ASSY -ROOM	9703299025	9703299025	9703299025	9703299025	
112	RUBBER BUSHING	9357376004	9357376004	9357376004	9357376004	