

8. External input and output

With using external input and output functions, this product can be operated inter-connectedly with an external device.

Connector	Input	Output	Remarks
CN102	Control input	—	See external input/output settings for details.
CN103	—	Operation status output	

8-1. External input

- “Operation/Stop” mode or "Forced stop" mode can be selected with function setting of indoor unit.
- A twisted pair cable (22AWG) should be used. Maximum length of cable is 150 m.
- The wire connection should be separate from the power cable line.

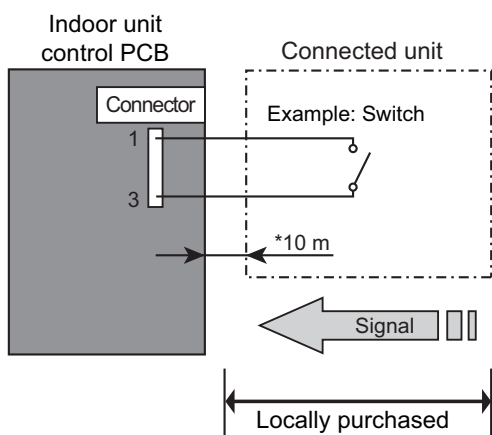
■ Control input (Operation/Stop or Forced stop)

The air conditioner can be remotely operated by means of the following on-site work.

Unit operation is started at the following contents by adding the contact input of a commercial on/off switch to a connector on the external control PCB and turning it on.

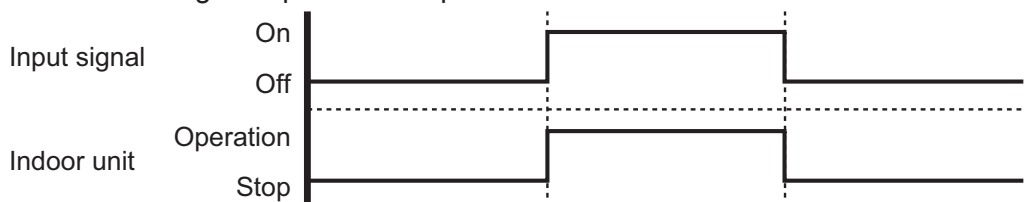
Unit operation	Initial setting after power is on	Starting mode other than initial setting
Operation mode	Auto changeover	Mode at previous operation
Set temperature	24 °C	Temperature at previous operation
Airflow mode	AUTO	Mode at previous operation
Air direction (swing)	Standard air direction (swing OFF)	Air direction at previous operation

● Circuit diagram example

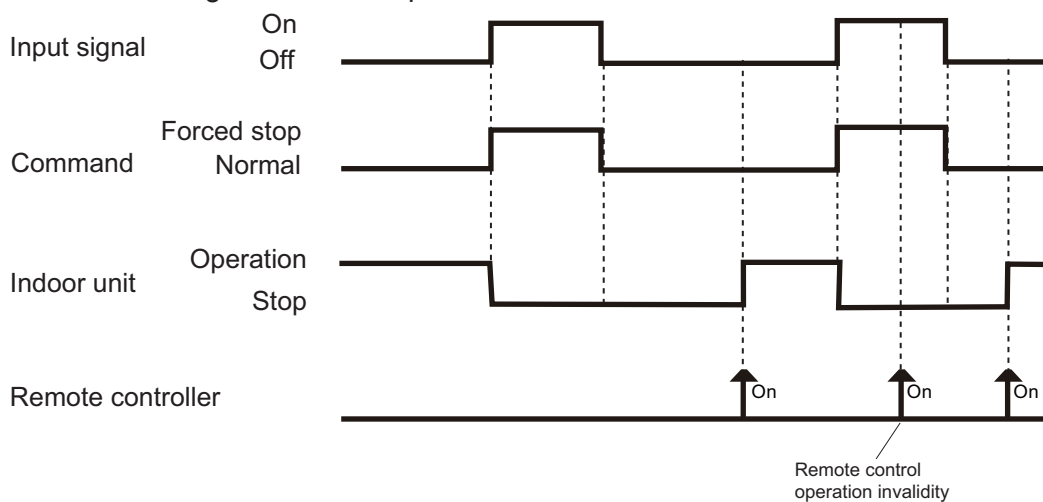


- Contact capacity: DC 24 V or more, 10 mA or more.
- *: Make the distance from the PCB to the connected unit within 10 m.
- Use non-polar relays and switches.

- When function setting is "Operation/Stop" mode



- When function setting is "Forced stop" mode



● Optional part

Part name	Model name	Exterior
External connect kit	UTY-XWZX	External input wire

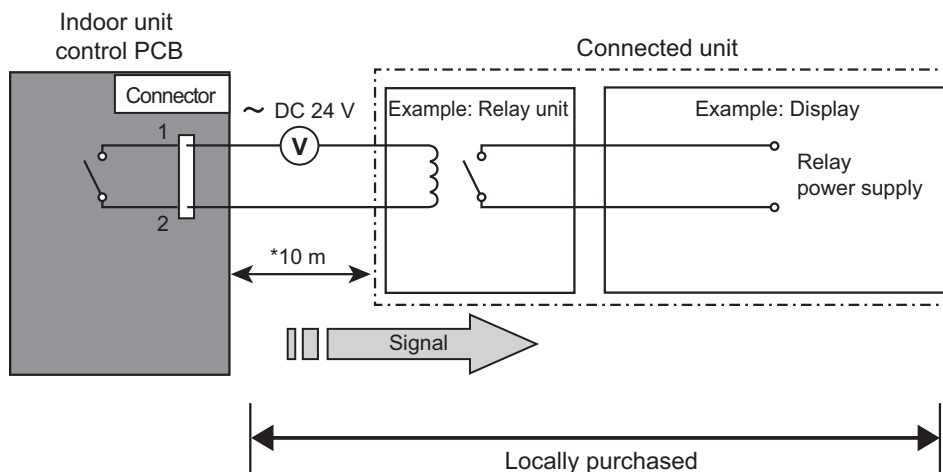
8-2. External output

With using external output function, operating status of this product can be transmitted to the external device, and also, this product can be inter-connected with the external device.

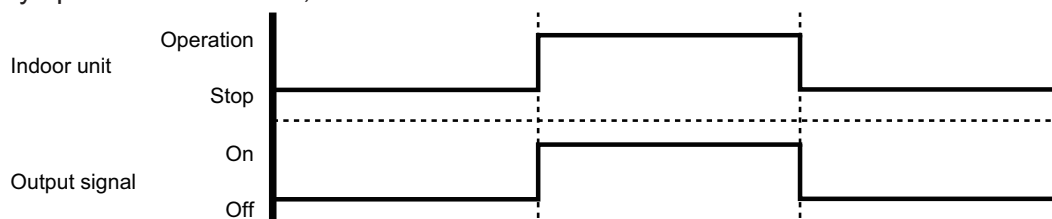
■ Operation status output

Air conditioner operation status signal can be output.


● Circuit diagram example



- *: Make the distance from the PCB to the connected unit within 10 m.
- Relay spec: Max. DC 24 V, 10 mA to less than 500 mA.



● Optional part

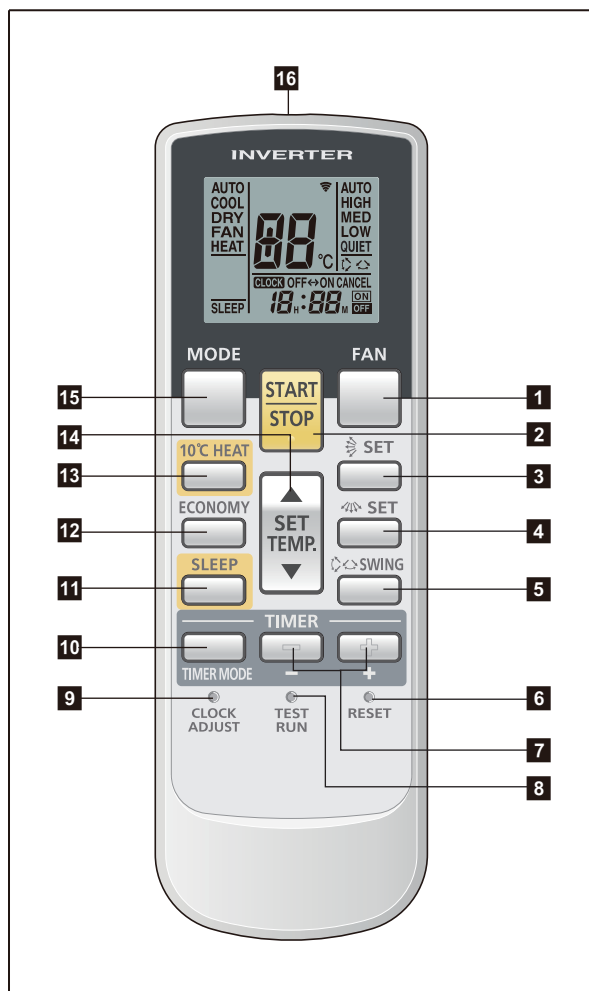
Part name	Model name	Exterior
External connect kit	UTY-XWZX	External output wire 

9. Remote controller

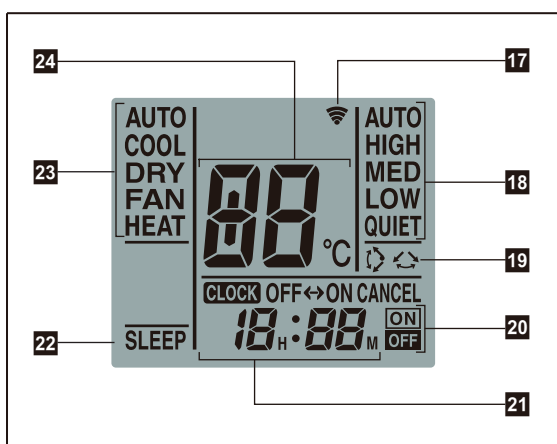
9-1. Wireless remote controller (AR-RAH2E/AR-RAH1E)

■ Overview

● AR-RAH2E (for ABYG24LVTA)



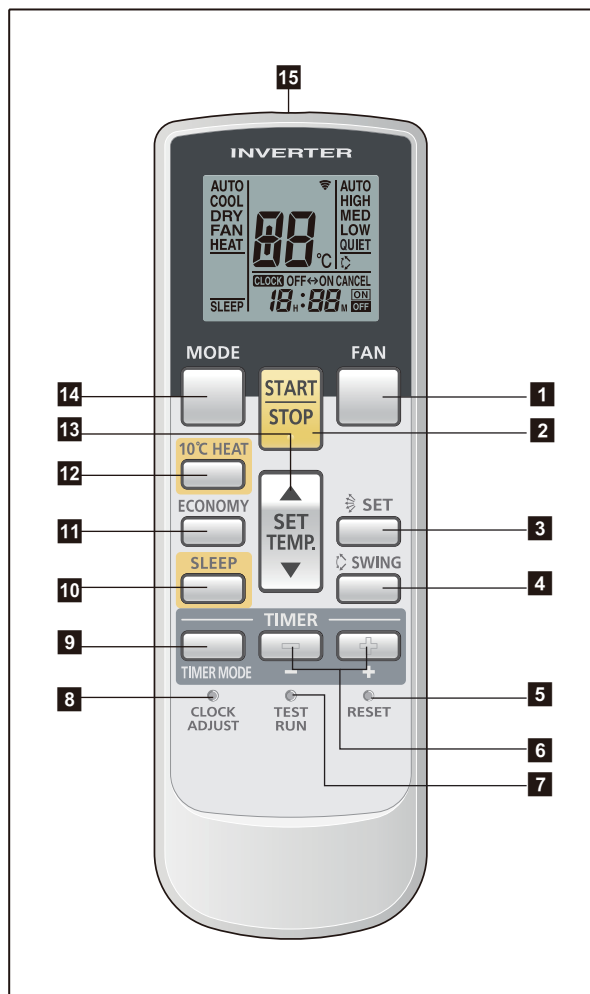
Display panel



NOTE: Functions may differ by type of the indoor unit. For details, refer to the operation manual.

- 1 FAN button**
Selects the fan speed (AUTO, HIGH, MED, LOW, and QUIET).
- 2 START/STOP button**
Starts and stops operation.
- 3 SET button (vertical)**
Adjusts the vertical airflow direction.
- 4 SET button (horizontal)**
Adjusts the horizontal airflow direction.
- 5 SWING button**
Sets the automatic swing operation and selects swing mode (Up/down, Left/right, Up/down/left/right, and Stop swing).
- 6 RESET button**
Used when replacing batteries.
- 7 Timer set (- / +) button**
Sets the current time and on-off time.
- 8 TEST RUN button**
Only used for the initial test in the unit installation.
- 9 CLOCK ADJUST button**
Used for adjusting the clock.
- 10 TIMER MODE button**
Selects the timer mode (off timer, on timer, program timer, and timer reset).
- 11 SLEEP button**
Pressed to select sleep timer.
- 12 ECONOMY button**
- 13 10 °C HEAT button**
- 14 SET TEMP. (temperature) (▲ / ▼) button**
 - Sets desired temperature.
 - Sets remote controller custom code.
- 15 MODE button**
 - Switches operation mode (AUTO, COOL, DRY, FAN, and HEAT).
 - Starts/ends the remote controller custom code (max. 4 types) change.
- 16 Signal transmitter**
- 17 Signal transmit indicator**
- 18 Fan speed indicator**
- 19 Swing indicator**
- 20 Timer mode indicator**
- 21 Clock indicator**
- 22 Sleep indicator**
- 23 Operating mode indicator**
- 24 Temperature indicator**

● AR-RAH1E (for ABYG18LVTB)



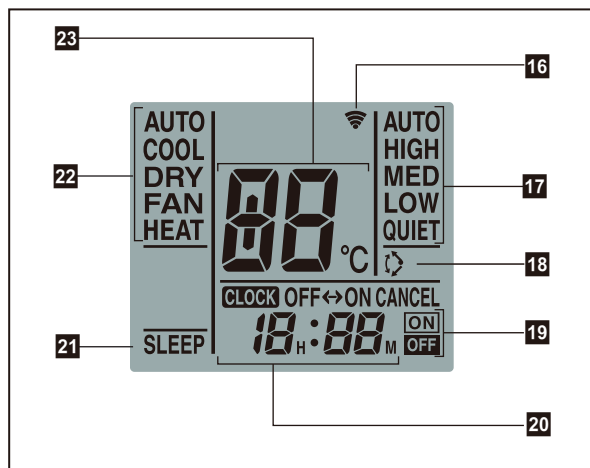
- 1 FAN button**
Selects the fan speed (AUTO, HIGH, MED, LOW, and QUIET).
- 2 START/STOP button**
Starts and stops operation.
- 3 SET button (vertical)**
Adjusts the vertical airflow direction.
- 4 SWING button**
Sets the automatic swing operation and selects swing mode (Left/right, Stop swing).
- 5 RESET button**
Used when replacing batteries.
- 6 Timer set (- / +) button**
Sets the current time and on-off time.
- 7 TEST RUN button**
Only used for the initial test in the unit installation.
- 8 CLOCK ADJUST button**
Used for adjusting the clock.
- 9 TIMER MODE button**
Selects the timer mode (off timer, on timer, program timer, and timer reset).

- 10 SLEEP button**
Pressed to select sleep timer.
- 11 ECONOMY button**
- 12 10 °C HEAT button**
- 13 SET TEMP. (temperature) (▲ / ▼) button**
 - Sets desired temperature.
 - Sets remote controller custom code.

- 14 MODE button**
 - Switches operation mode (AUTO, COOL, DRY, FAN, and HEAT).
 - Starts/ends the remote controller custom code (max. 4 types) change.

- 15 Signal transmitter**
- 16 Signal transmit indicator**
- 17 Fan speed indicator**
- 18 Swing indicator**
- 19 Timer mode indicator**
- 20 Clock indicator**
- 21 Sleep indicator**
- 22 Operating mode indicator**
- 23 Temperature indicator**

Display panel

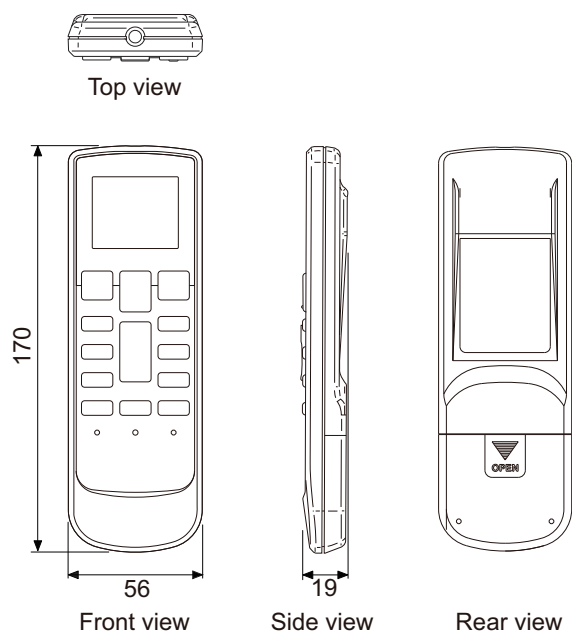


NOTE: Functions may differ by type of the indoor unit. For details, refer to the operation manual.

■ Specifications

● Controller

Unit: mm

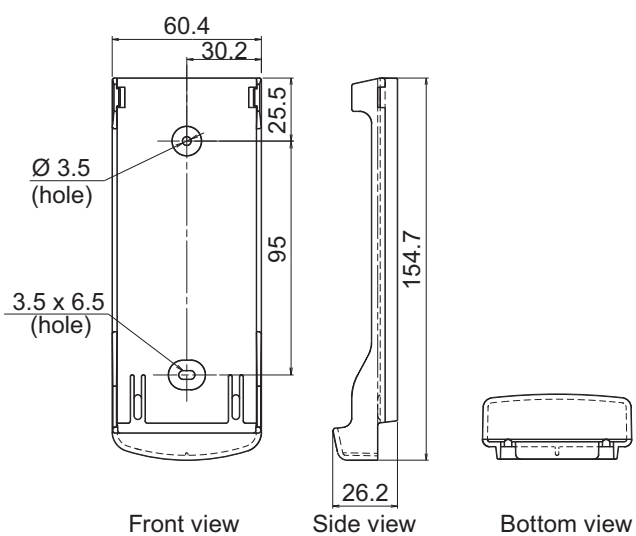


Size (H × W × D)	mm	170 × 56 × 19
Weight	g	85 (without batteries)

NOTE: Actual number of buttons might be different from the figure above.

● Holder

Unit: mm



Size (H × W × D)	mm	154.7 × 60.4 × 26.2
Weight	g	28