

ABYG24KRTA

Please visit our webstore for full product and technical documentation 

Unit Type	Remote Controller	Ceiling Suspended
Nominal Cooling Capacity (kW)		6.8
Nominal Heating Capacity (kW)		7.5
Height (mm)		235
Width (mm)		1390
Depth (mm)		705
Weight (kg)		31
Airflow Rate - Cooling - High (m ³ /h)		1230
Airflow Rate - Heating - High (m ³ /h)		1230
Sound Pressure Level - Cooling - High (dB(A))		41
Sound Pressure Level - Cooling - Low (dB(A))		32
Sound Pressure Level - Heating - High (dB(A))		41
Sound Pressure Level - Heating - Low (dB(A))		32
Sound Power Level - Cooling - High (dB(A))		56
Sound Power Level - Heating - High (dB(A))		56
Moisture Removal (l/h)		2.2
Refrigerant Type (Global Warming Potential)		R32 (675)
Liquid Pipe Size		1/4"
Gas Pipe Size		1/2"
Unit Power Supply		From Outdoor Unit



Document Downloads

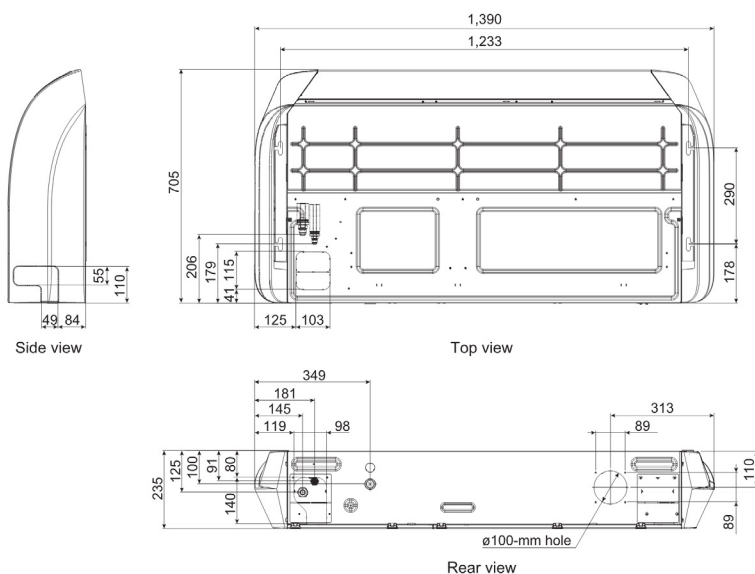
- [Airflow - Fan Curve](#)
- [Controls & Accessories](#)
- [Dimensional Drawing](#)
- [Function Settings](#)
- [Inputs & Outputs](#)
- [Installation Manual](#)
- [Noise Curve](#)
- [Operation Manual](#)
- [Product Image](#)

- [Spare Parts List All Pages](#)
- [Specifications](#)
- [Wiring Diagram](#)

Related Items

- [AOYG24KATA](#) 6.8kW Economy Outdoor Unit - R32 Single Phase
- [AOYG24KBTB](#) 6.8kW Standard Outdoor Unit - R32 Single Phase
- [UTYRNRYZ5](#) Touch Screen Remote Controller
- [UTYFSSXZ1](#) Wireless LAN interface
- [UTRDPB24T](#) Drain Pump Unit (for Ceiling type)
- [UTYRCRYZ1](#) Compact Simple Remote controller
- [UTYRHRY](#) Simple Remote Controller (without Master Control)
- [UTYRSRY](#) Simple Remote Controller (with Master Control)
- [UTYXCSX](#) External Input / Output PCB
- [UTZGXEAE](#) External input output PCB box
- [UTYXWZXZG](#) External Connect Kit
- [UTYLBTYH](#) Infra-Red Receiver Kit - Ceiling Suspended
- [UTYTERX](#) External switch controller
- [UTYVTGX](#) Splits Network Converter (DC Powered)
- [UTYVTGXV](#) Splits Network Converter (AC Powered)

Unit: mm



*Specifications and design are subject to change without notice for further improvement.
 *Actual products' colors may be different from the colors shown in this printed material.

Distributed by :

FUJITSU GENERAL AIR CONDITIONING (UK) LIMITED
 Unit 150, Centennial Park, Centennial Avenue, Elstree, Borehamwood, Herts, WD6 3SG

www.fujitsu-general.com/uk

sales@fgac.fujitsu-general.com

Tel: +44 (0) 208 731 3450 Fax: +44 (0) 208 731 3451