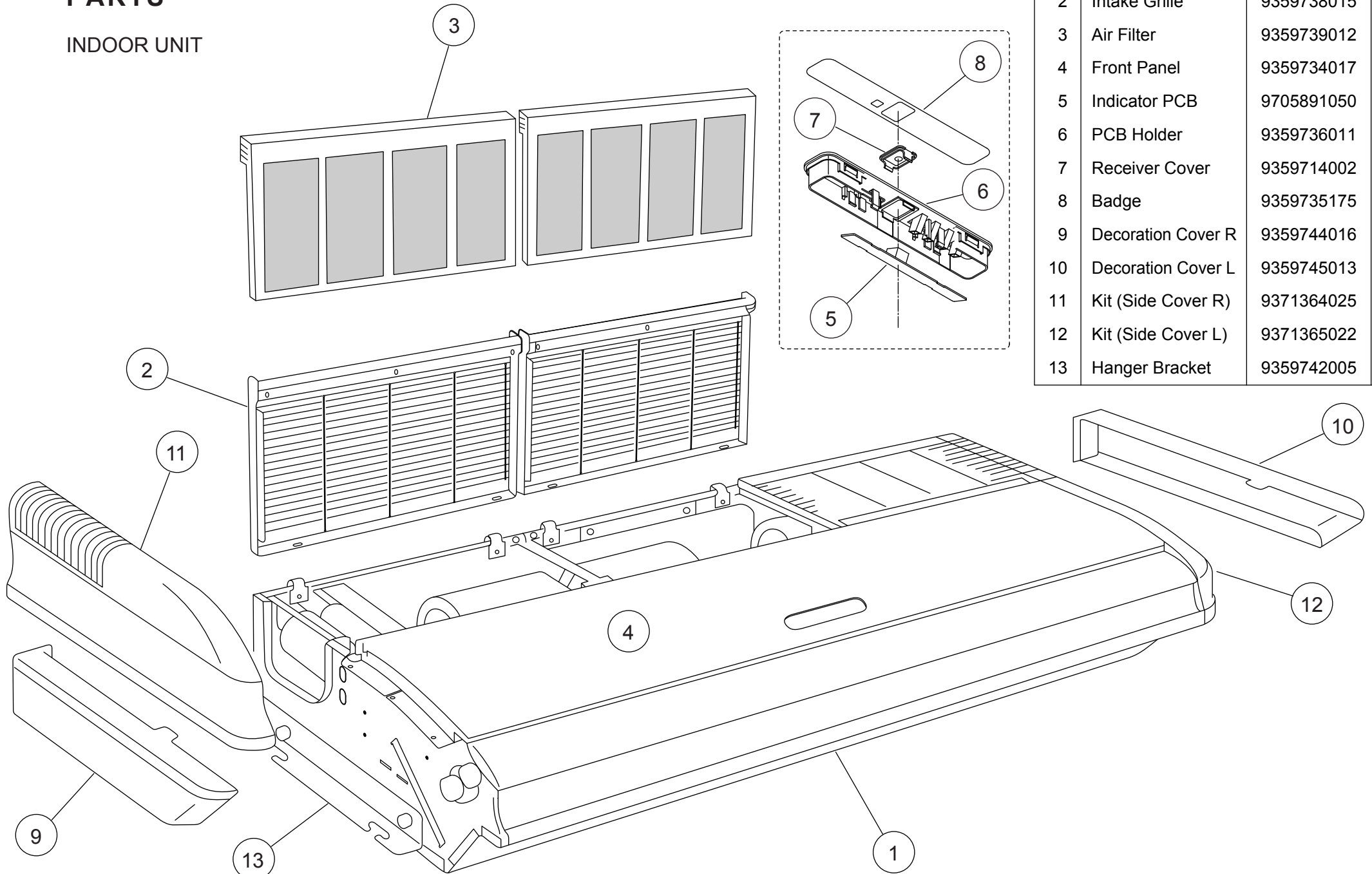


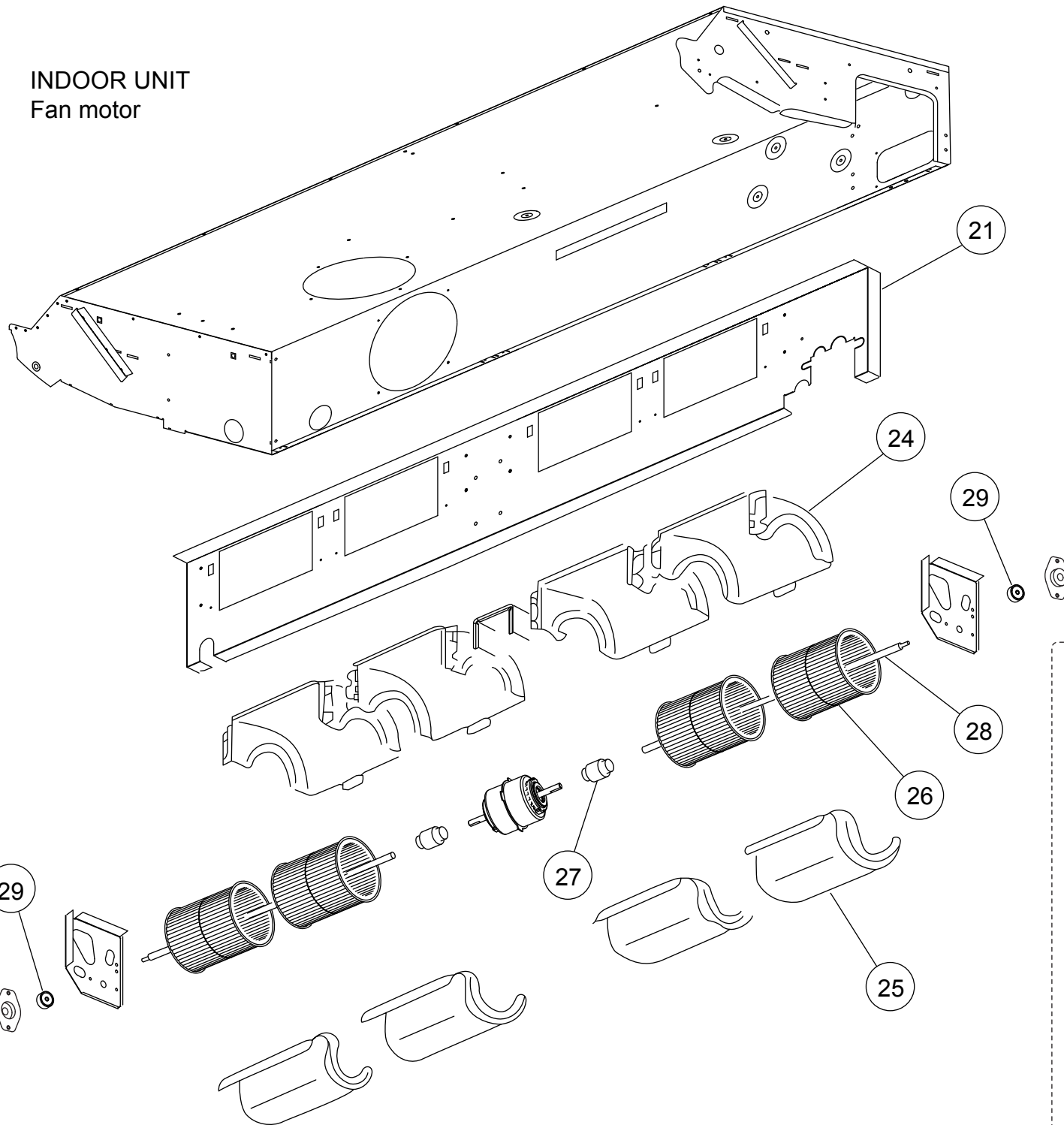
PARTS

INDOOR UNIT

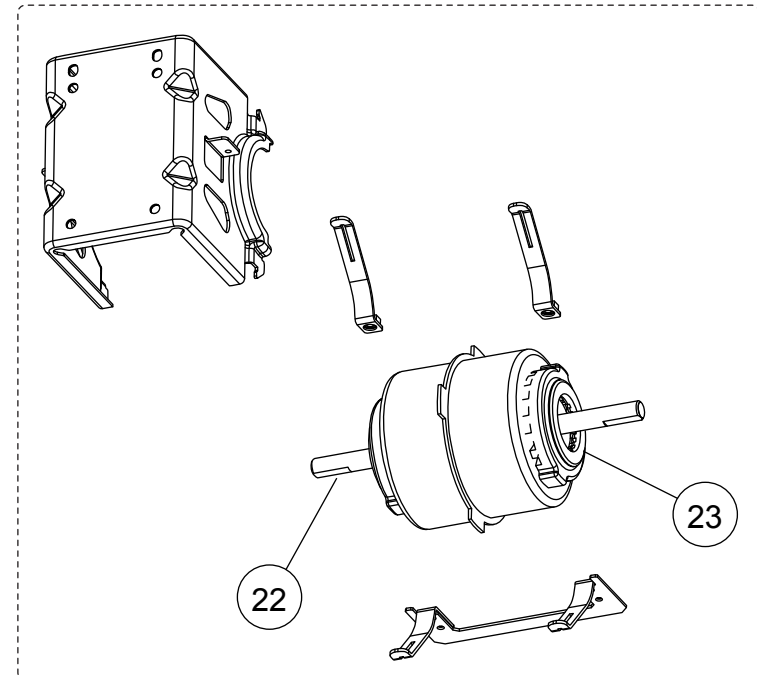


| Ref. | Description | Part number |
|------|--------------------|-------------|
| 1 | Top Cover | 9359737018 |
| 2 | Intake Grille | 9359738015 |
| 3 | Air Filter | 9359739012 |
| 4 | Front Panel | 9359734017 |
| 5 | Indicator PCB | 9705891050 |
| 6 | PCB Holder | 9359736011 |
| 7 | Receiver Cover | 9359714002 |
| 8 | Badge | 9359735175 |
| 9 | Decoration Cover R | 9359744016 |
| 10 | Decoration Cover L | 9359745013 |
| 11 | Kit (Side Cover R) | 9371364025 |
| 12 | Kit (Side Cover L) | 9371365022 |
| 13 | Hanger Bracket | 9359742005 |

INDOOR UNIT
Fan motor

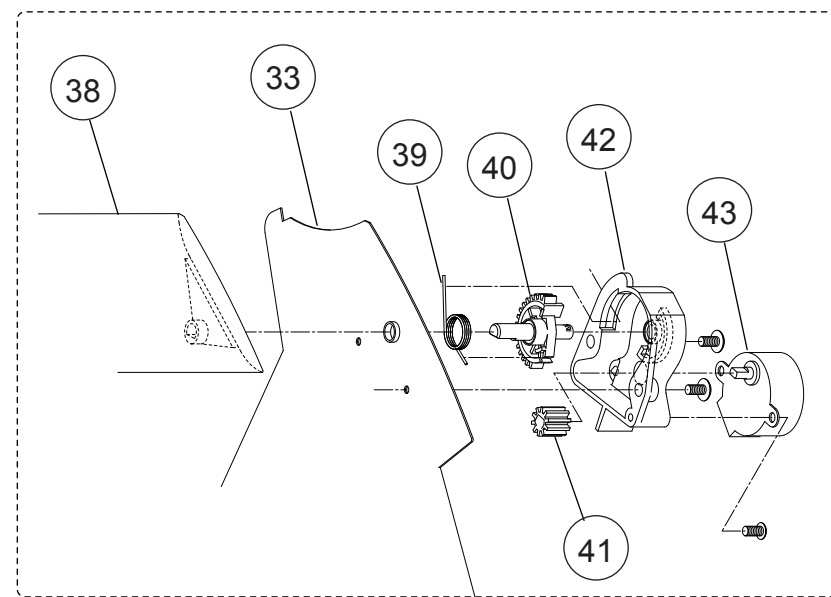
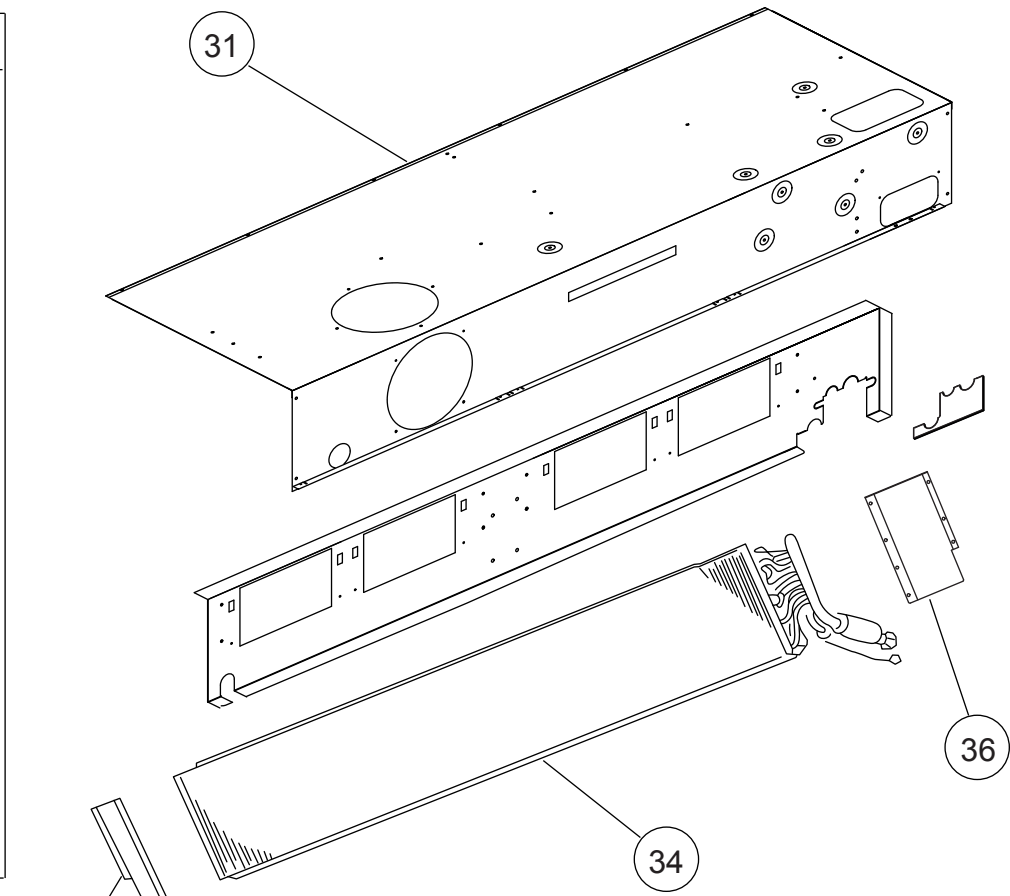
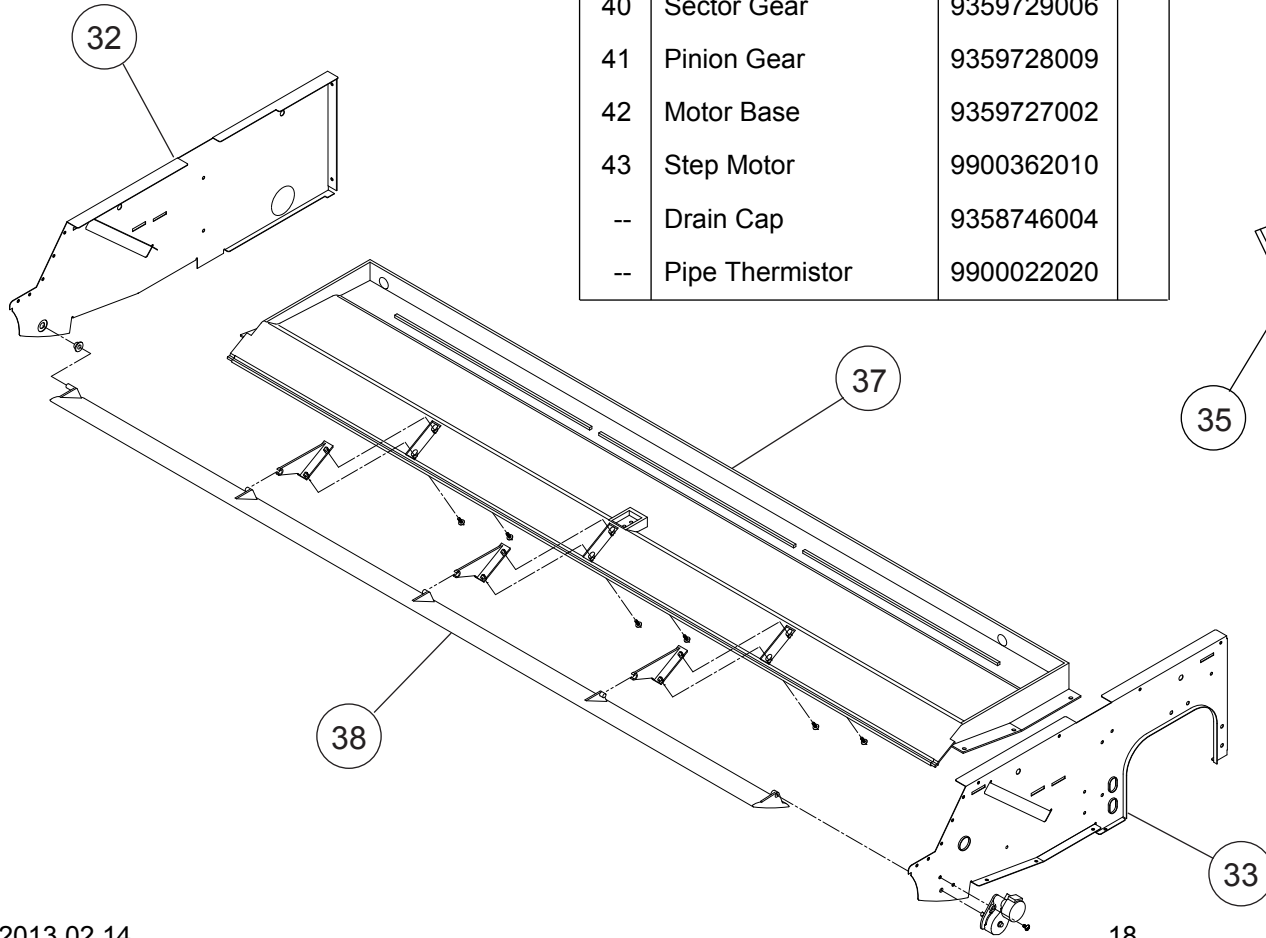


| Ref. | Description | Part number |
|------|------------------------------|-------------|
| 21 | kit (Separate Wall Sub Assy) | 9371366029 |
| 22 | Fan Motor Assy | 9380718017 |
| 23 | Rubber (Vibration Proof) | 9385102002 |
| 24 | Casing | 9359704003 |
| 25 | Kit (Cover Casing) Sub Assy | 9371367019 |
| 26 | Sirocco Fan Assy | 9359701002 |
| 27 | Joint Assy | 9378038011 |
| 28 | Shaft | 9359707004 |
| 29 | Bearing B Assy | 9357921006 |

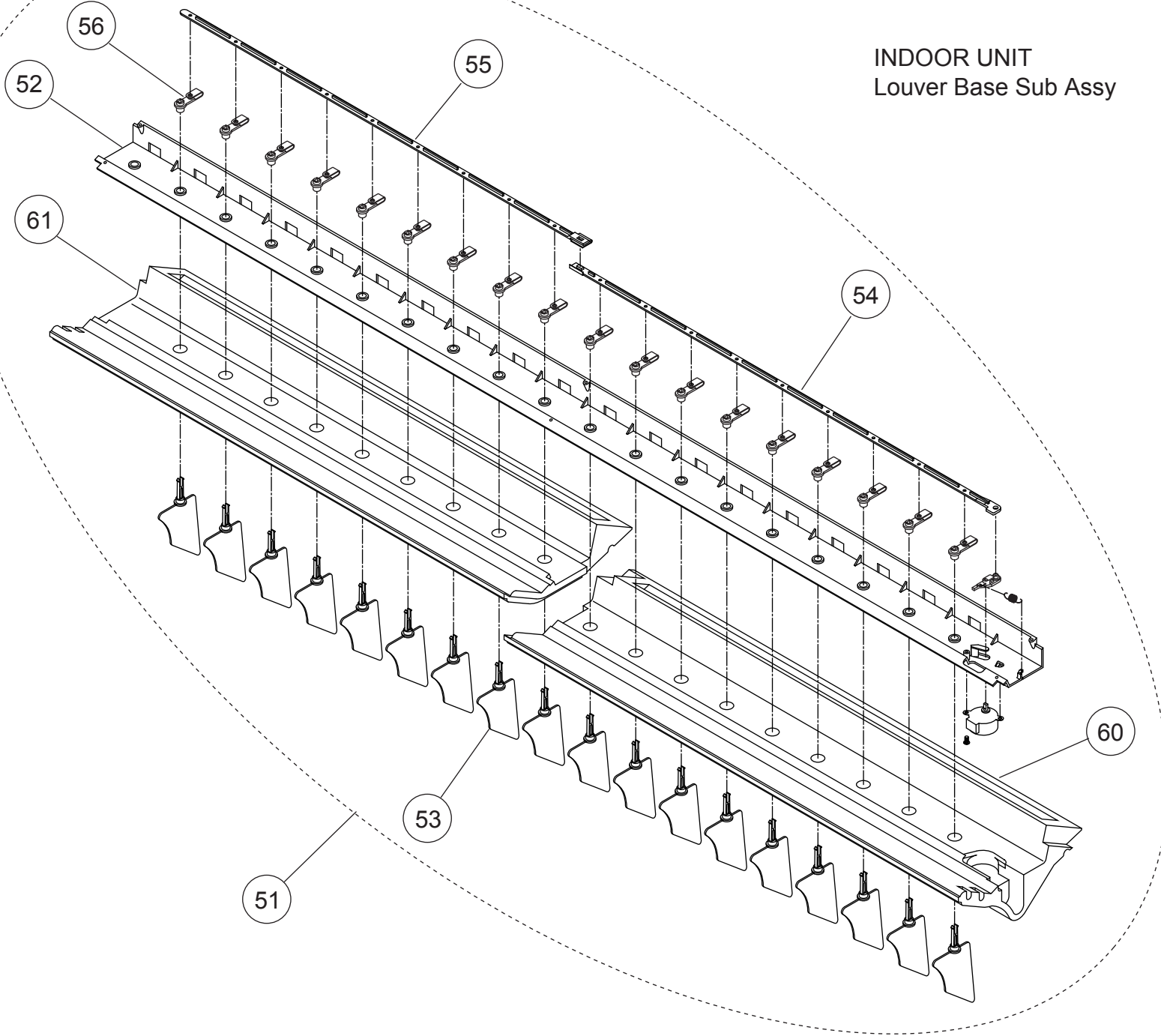


INDOOR UNIT
Evaporator
Drain pan
Flap

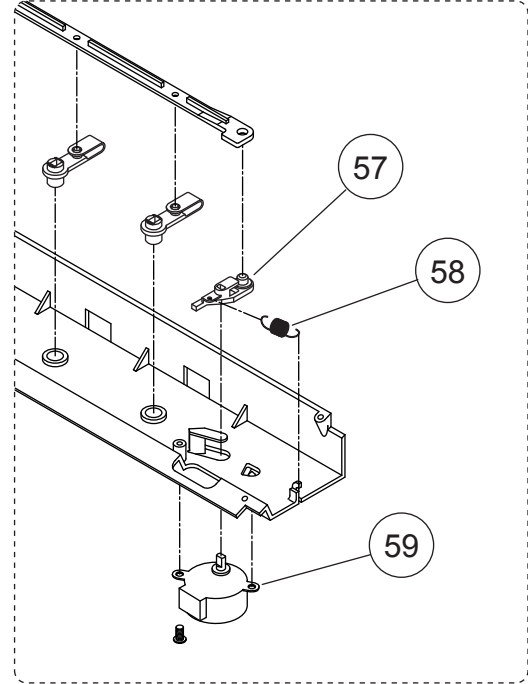
| Ref. | Description | Part number |
|------|------------------------|-------------|
| 31 | Kit (Base Sub Assy) | 9371360010 |
| 32 | Panel Left Sub Assy | 9360427014 |
| 33 | Kit (Panel Right Assy) | 9371361017 |
| 34 | Evaporator Sub Assy | 9360428264 |
| 35 | Kit (Pipe Cover L) | 9371362014 |
| 36 | kit (Pipe Cover R) | 9371363011 |
| 37 | Drain Pan Sub Assy | 9360429032 |
| 38 | Flap Assy | 9359731016 |
| 39 | Flap Spring | 9359730002 |
| 40 | Sector Gear | 9359729006 |
| 41 | Pinion Gear | 9359728009 |
| 42 | Motor Base | 9359727002 |
| 43 | Step Motor | 9900362010 |
| -- | Drain Cap | 9358746004 |
| -- | Pipe Thermistor | 9900022020 |



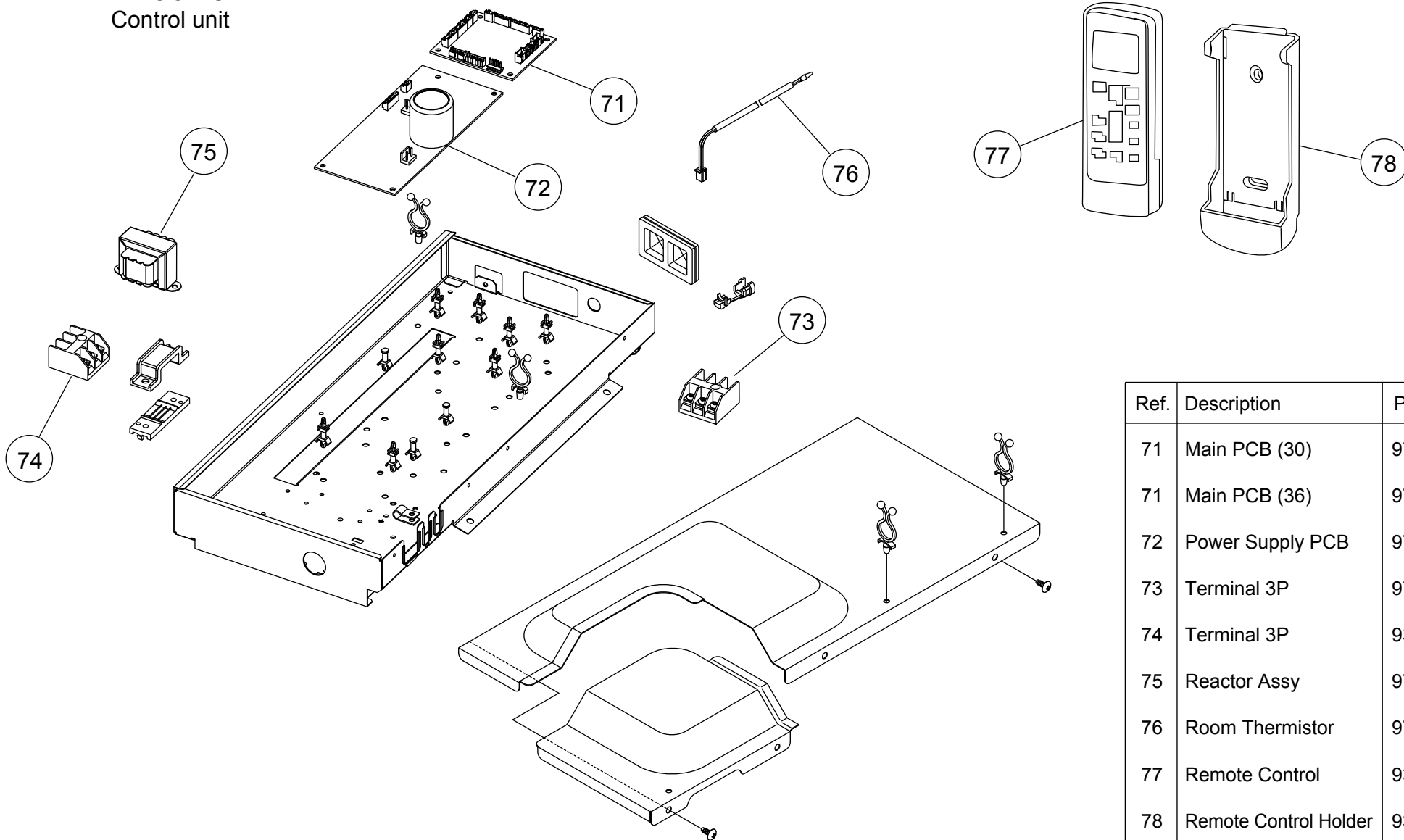
INDOOR UNIT
Louver Base Sub Assy



| Ref. | Description | Part number |
|------|----------------------|-------------|
| 51 | Louver Base Sub Assy | 9360432049 |
| 52 | kit (Louver Base) | 9371369013 |
| 53 | Louver | 9359719014 |
| 54 | Motor Rod | 9359723004 |
| 55 | Louver Rod | 9359725008 |
| 56 | Louver Stopper | 9359724001 |
| 57 | Louver Link | 9359726005 |
| 58 | Louver Spring | 9359720003 |
| 59 | Step Motor H | 9900297015 |
| 60 | Louver Insulation R | 9359721000 |
| 61 | Louver Insulation L | 9359722007 |



INDOOR UNIT
Control unit



| Ref. | Description | Part number |
|------|-----------------------|-------------|
| 71 | Main PCB (30) | 9709245255 |
| 71 | Main PCB (36) | 9709245262 |
| 72 | Power Supply PCB | 9707398342 |
| 73 | Terminal 3P | 9703345012 |
| 74 | Terminal 3P | 9306489045 |
| 75 | Reactor Assy | 9707457018 |
| 76 | Room Thermistor | 9703299025 |
| 77 | Remote Control | 9379219037 |
| 78 | Remote Control Holder | 9305642045 |