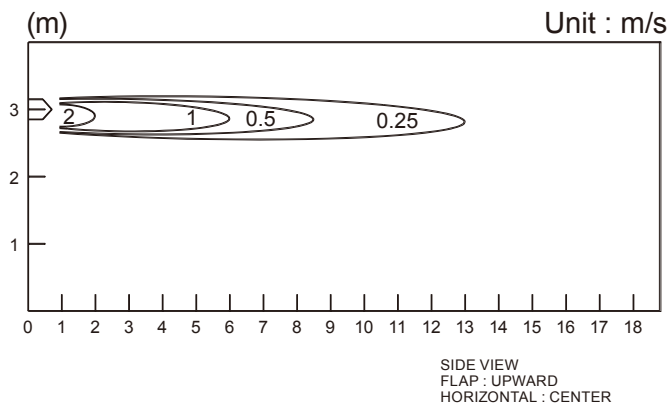
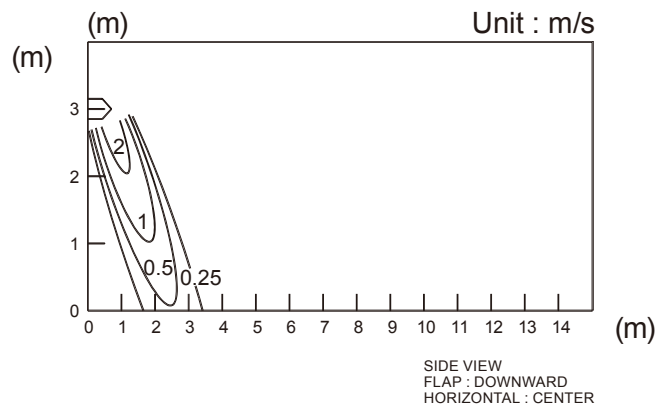
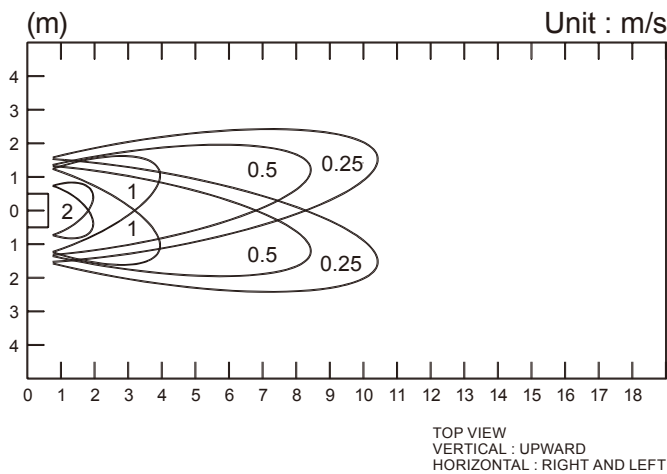
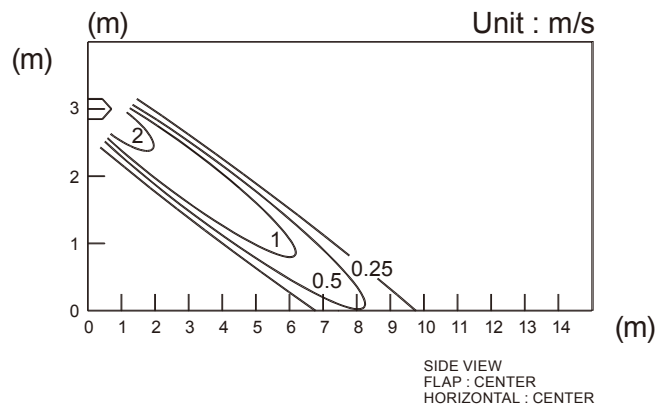
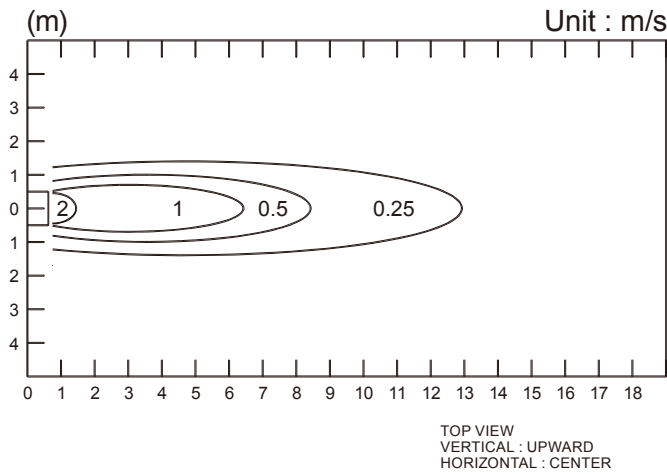


7. FAN PERFORMANCE

7-1. AIR VELOCITY DISTRIBUTION

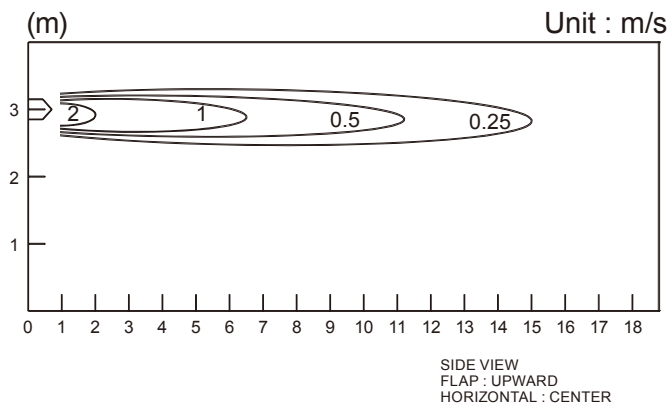
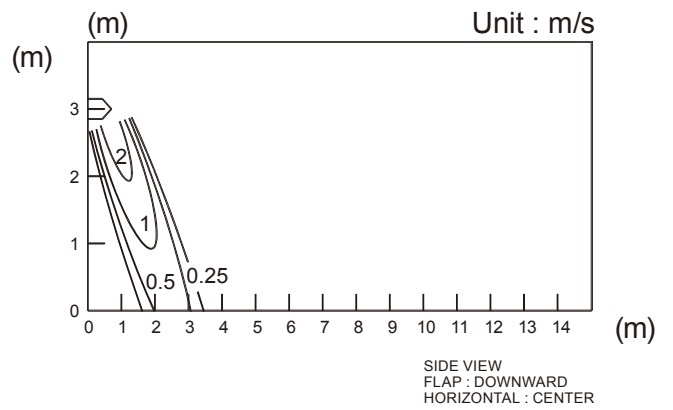
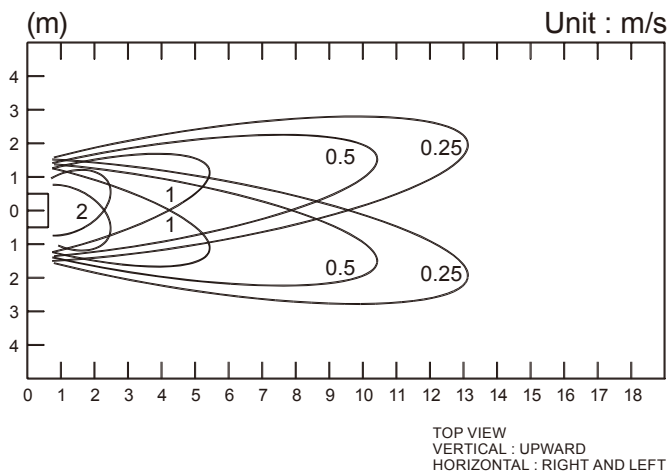
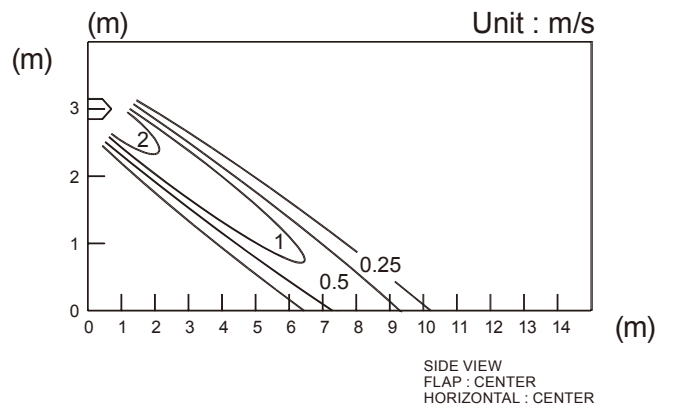
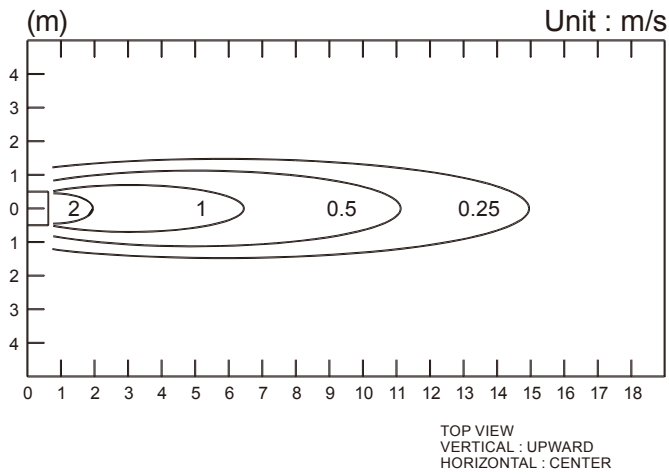
MODEL: AB*G30LRTE

Note:
Condition
Fan speed : High
Operation mode : FAN



MODEL: AB*G36LRTE

Note:
Condition
Fan speed : High
Operation mode : FAN



7-2. AIRFLOW

■ MODEL: AB*G30LRTE

● COOLING

Fan speed	Number of rotations (r.p.m.)	Airflow	
HIGH	1000	m ³ /h	1660
		l/s	461
		CFM	977
MED	910	m ³ /h	1500
		l/s	417
		CFM	883
LOW	750	m ³ /h	1200
		l/s	333
		CFM	706
QUIET	650	m ³ /h	1000
		l/s	278
		CFM	589

● HEATING

Fan speed	Number of rotations (r.p.m.)	Airflow	
HIGH	1000	m ³ /h	1660
		l/s	461
		CFM	977
MED	910	m ³ /h	1500
		l/s	417
		CFM	883
LOW	750	m ³ /h	1200
		l/s	333
		CFM	706
QUIET	650	m ³ /h	1000
		l/s	278
		CFM	589

■ MODEL: AB*G36LRTE

● COOLING

Fan speed	Number of rotations (r.p.m.)	Airflow	
HIGH	1100	m ³ /h	1900
		l/s	528
		CFM	1118
MED	910	m ³ /h	1500
		l/s	417
		CFM	883
LOW	750	m ³ /h	1200
		l/s	333
		CFM	706
QUIET	650	m ³ /h	1000
		l/s	278
		CFM	589

● HEATING

Fan speed	Number of rotations (r.p.m.)	Airflow	
HIGH	1100	m ³ /h	1900
		l/s	528
		CFM	1118
MED	910	m ³ /h	1500
		l/s	417
		CFM	883
LOW	750	m ³ /h	1200
		l/s	333
		CFM	706
QUIET	650	m ³ /h	1000
		l/s	278
		CFM	589

7-3. FRESH AIR CHARACTERISTIC

■ MODEL: AB*G30LRTE, AB*G36LRTE

