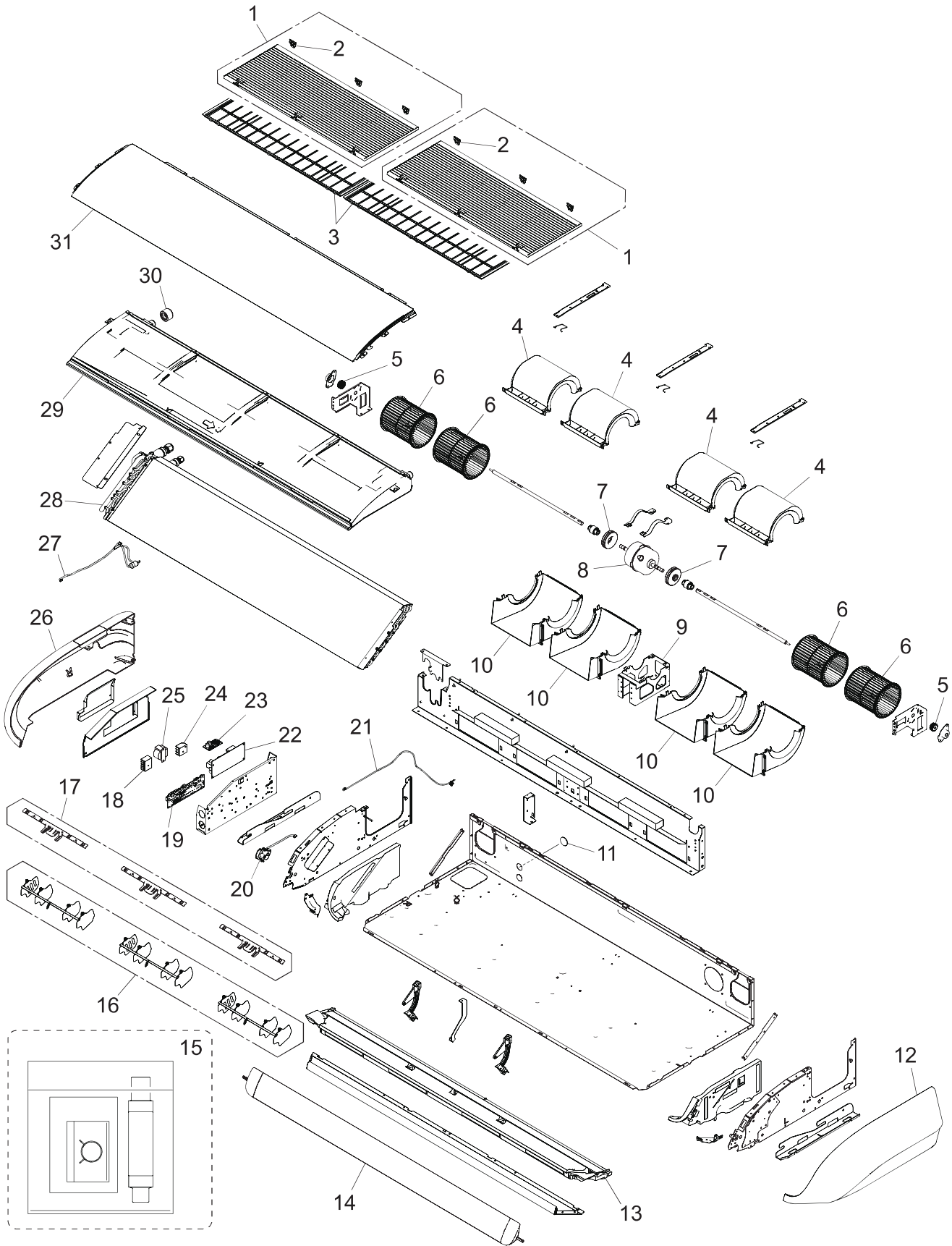


2-3. Models: ABYG36KRTA and ABYG45KRTA

■ Chassis



TECHNICAL DATA
AND PARTS LIST

TECHNICAL DATA
AND PARTS LIST

| Item no. | Part no. | Part name | Service part |
|----------|------------|--|--------------|
| 1 | 9384321008 | Intake grille A sub assy | ◆ |
| 2 | 9383344008 | Grille hinge (3 pcs.) | ◆ |
| 3 | 9383342004 | Air filter A | ◆ |
| 4 | 9384307002 | Casing U assy | ◆ |
| 5 | 9357921006 | Bearing B assy | ◆ |
| 6 | 9384110008 | Sirocco fan assy | ◆ |
| 7 | 9383443008 | Rubber (Vibration proof) | ◆ |
| 8 | 9603815004 | Brushless DC motor | ◆ |
| 9 | 9384236005 | Motor mount assy | ◆ |
| 10 | 9384311009 | Casing B assy | ◆ |
| 11 | 9352173011 | Cap (Power) | ◆ |
| 12 | 9383406003 | Side panel L | ◆ |
| 13 | 9384308009 | Top panel cover assy (4-fan) | ◆ |
| 14 | 9384144003 | Flap assy (4-fan) | ◆ |
| 15 | 9384324009 | Hose sub assy | ◆ |
| 16 | 9383384004 | L and R louver | ◆ |
| 17 | 9383385001 | Base (Louver) | ◆ |
| 18 | 9900896027 | Terminal (5P) | ◆ |
| 19 | 9711524010 | Main PCB (for 36 model) | ◆ |
| | 9711524027 | Main PCB (for 45 model) | ◆ |
| 20 | 9384312013 | Gear box sub assy (including stepping motor) | ◆ |
| 21 | 9900960049 | Thermistor (Room) | ◆ |
| 22 | 9710661044 | Power supply PCB (for 36 model) | ◆ |
| | 9710661037 | Power supply PCB (for 45 model) | ◆ |
| 23 | 9710019005 | 2-way remote PCB | ◆ |
| 24 | 9306489045 | Terminal (3P) | ◆ |
| 25 | 9707457056 | Reactor assy | ◆ |
| 26 | 9384320001 | Side panel R sub assy | ◆ |
| 27 | 9900892029 | Thermistor (Pipe) | ◆ |
| 28 | 9384287007 | Evaporator total assy | ◆ |
| 29 | 9384364005 | Drain pan total assy (4-fan) | ◆ |
| 30 | 9358746004 | Drain cap | ◆ |
| 31 | 9384241009 | Front panel (4-fan) assy | ◆ |