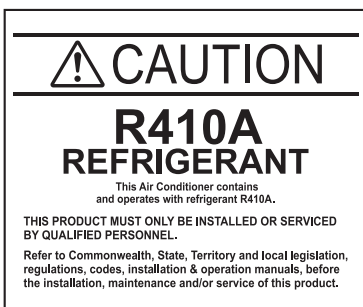


EEV internal model

AG*A004GCGH
AG*A007GCGH
AG*A009GCGH
AG*A012GCGH
AG*A014GCGH

EEV external model

AG*E004GCEH
AG*E007GCEH
AG*E009GCEH
AG*E012GCEH
AG*E014GCEH



Refer to the rating label for the serial number,
manufactured year and month.

FUJITSU GENERAL LIMITED

INSTALLATION MANUAL

INDOOR UNIT (Floor type)

For authorized service personnel only.

English

INSTALLATIONSANLEITUNG

INNENGERÄT (Fußbodentyp)

Nur für autorisiertes Fachpersonal.

Deutsch

MANUEL D'INSTALLATION

UNITÉ INTÉRIEURE (Type sol)

Pour le personnel agréé uniquement.

Français

MANUAL DE INSTALACIÓN

UNIDAD INTERIOR (Tipo suelo)

Únicamente para personal de servicio autorizado.

Español

MANUALE DI INSTALLAZIONE

UNITÀ INTERNA (Tipo da pavimento)

A uso esclusivo del personale tecnico autorizzato.

Italiano

ΕΓΧΕΙΡΙΔΙΟ ΕΓΚΑΤΑΣΤΑΣΗΣ

ΕΣΩΤΕΡΙΚΗ ΜΟΝΑΔΑ (Τύπος δαπέδου)

Μόνο για εξουσιοδοτημένο τεχνικό προσωπικό.

Ελληνικά

MANUAL DE INSTALAÇÃO

UNIDADE INTERIOR (Tipo de chão)

Apenas para técnicos autorizados.

Português

РУКОВОДСТВО ПО УСТАНОВКЕ

ВНУТРЕННИЙ МОДУЛЬ (Напольный тип)

Только для авторизованного обслуживающего персонала.

Русский

MONTAJ KILAVUZU

İÇ ÜNİTE (Yer tipi)

Yalnızca yetkili servis personeli için.

Türkçe

MADE IN P.R.C.

[Original instructions]



PART No. 9382568054

INSTALLATION MANUAL


PART No. 9382568054


VRF system indoor unit (Floor type)

Contents

| | |
|---|-----------|
| 1. SAFETY PRECAUTIONS | 1 |
| 2. ABOUT THIS PRODUCT | 1 |
| 2.1. Precautions for using R410A refrigerant..... | 1 |
| 2.2. Special tools for R410A | 1 |
| 2.3. Accessories | 2 |
| 2.4. Optional parts | 2 |
| 3. INSTALLATION WORK | 2 |
| 3.1. Selecting an installation location..... | 2 |
| 3.2. Installation dimension | 3 |
| 3.3. Indoor unit piping direction..... | 3 |
| 3.4. Side panel L, R removal and installation | 3 |
| 3.5. Cutting the hole in the wall for the connecting piping | 3 |
| 3.6. Indoor unit installation | 4 |
| 3.7. Installing the wall hook bracket..... | 4 |
| 4. PIPE INSTALLATION | 4 |
| 4.1. Selecting the pipe material | 4 |
| 4.2. Pipe requirement | 4 |
| 4.3. Flare connection (pipe connection)..... | 5 |
| 4.4. Forming piping | 5 |
| 4.5. Note on drain hose | 5 |
| 5. ELECTRICAL WIRING | 6 |
| 5.1. Electrical requirement | 6 |
| 5.2. Wiring method..... | 6 |
| 5.3. Unit wiring..... | 7 |
| 5.4. Wiring..... | 7 |
| 5.5. Optional parts wiring | 8 |
| 5.6. External input and external output (optional parts)..... | 9 |
| 6. FINISHING | 10 |
| 6.1. Connection pipe, cable and drain hose | 10 |
| 7. FIELD SETTING | 11 |
| 7.1. Setting the address..... | 11 |
| 7.2. Custom code setting | 11 |
| 7.3. Function setting | 11 |
| 8. TEST RUN | 13 |
| 8.1. Test run using the outdoor unit (PCB)..... | 13 |
| 8.2. Test run using the remote controller | 13 |
| 9. CHECK LIST | 13 |
| 10. ERROR CODES | 13 |


1. SAFETY PRECAUTIONS

| | |
|--|---|
|  WARNING | This mark indicates procedures which, if improperly performed, might lead to the death or serious injury of the user. |
| Request your dealer or a professional installer to install the indoor unit in accordance with this installation manual. An improperly installed unit can cause serious accidents such as water leakage, electric shock, or fire. If the indoor unit is installed in disregard of the instructions in the installation manual, it will void the manufacturer's warranty. | |
| Do not turn ON the power until all work has been completed. Turning ON the power before the work is completed can cause serious accidents such as electric shock or fire. | |
| If refrigerant leaks while work is being carried out, ventilate the area. If the refrigerant comes in contact with a flame, it produces a toxic gas. | |
| Installation work must be performed in accordance with national wiring standards by authorized personnel only. | |
| Except for EMERGENCY, never turn off main as well as sub breaker of the indoor units during operation. It will cause compressor failure as well as water leakage. First, stop the indoor unit by operating the controller, converter or external input device and then cut the breaker. Make sure to operate through the controller, converter or external input device. When the breaker is designed, locate it at a place where the users cannot start and stop in the daily work. | |


| | |
|---|---|
|  CAUTION | This mark indicates procedures which, if improperly performed, might possibly result in personal harm to the user, or damage to property. |
| Read carefully all security information before use or install the air conditioner. | |
| Do not attempt to install the air conditioner or a part of the air conditioner by yourself. | |
| This unit must be installed by qualified personnel with a capacity certificate for handling refrigerant fluids. Refer to regulation and laws in use on installation place. | |
| The installation must be carried out in compliance with regulations in force in the place of installation and the installation instructions of the manufacturer. | |
| This unit is part of a set constituting an air conditioner. It must not be installed alone or with non-authorized by the manufacturer. | |
| Always use a separate power supply line protected by a circuit breaker operating on all wires with a distance between contact of 3 mm for this unit. | |
| The unit must be correctly earthed (grounded) and the supply line must be equipped with a differential breaker in order to protect the persons. | |
| The units are not explosion proof and therefore should not be installed in explosive atmosphere. | |
| Never touch electrical components immediately after the power supply has been turned off. Electric shock may occur. After turning off the power, always wait 5 minutes before touching electrical components. | |
| This unit contains no user-serviceable parts. Always consult authorized service personnel to repairs. | |
| When moving, consult authorized service personnel for disconnection and installation of the unit. | |

2. ABOUT THIS PRODUCT

2.1. Precautions for using R410A refrigerant

| |
|--|
|  WARNING |
| Do not introduce any substance other than the prescribed refrigerant into the refrigeration cycle. If air enters the refrigeration cycle, the pressure in the refrigeration cycle will become abnormally high and cause the piping to rupture. |
| If there is a refrigerant leak, make sure that it does not exceed the concentration limit. If a refrigerant leak exceeds the concentration limit, it can lead to accidents such as oxygen starvation. |
| Do not touch refrigerant that has leaked from the refrigerant pipe connections or other area. Touching the refrigerant directly can cause frostbite. |
| If a refrigerant leak occurs during operation, immediately vacate the premises and thoroughly ventilate the area. If the refrigerant comes in contact with a flame, it produces a toxic gas. |

2.2. Special tools for R410A

| |
|--|
|  WARNING |
| To install a unit that uses R410A refrigerant, use dedicated tools and piping materials that have been manufactured specifically for R410A use. Because the pressure of R410A refrigerant is approximately 1.6 times higher than the R22, failure to use dedicated piping material or improper installation can cause rupture or injury. Furthermore, it can cause serious accidents such as water leakage, electric shock, or fire. |



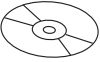
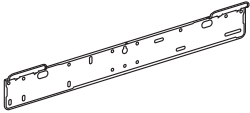




| Tool name | Contents of change for R22 tool |
|----------------------|---|
| Gauge manifold | Pressure is huge and cannot be measured with a conventional gauge. To prevent erroneous mixing of other refrigerants, the diameter of each port has been changed. It is recommended to use a gauge manifold with a high pressure display range -0.1 to 5.3 MPa and a low pressure display range -0.1 to 3.8 MPa. |
| Charging hose | To increase pressure resistance, the hose material and base size were changed. |
| Vacuum pump | A conventional vacuum pump can be used by installing a vacuum pump adapter. <ul style="list-style-type: none"> A conventional vacuum pump can be used by installing a vacuum pump adapter. Be sure that the pump oil does not back flow into the system. Use one capable for vacuum suction of -100.7kPa (5 Ton, -755mmHg). |
| Gas leakage detector | Special gas leakage detector for HFC refrigerant R410A. |

2.3. Accessories

⚠ WARNING

For installation purposes, be sure to use the parts supplied by the manufacturer or other prescribed parts.
The use of non-prescribed parts can cause serious accidents such as the unit falling, water leakage, electric shock, or fire.

- The following installation parts are furnished. Use them as required.
- Keep the installation manual in a safe place and do not discard any other accessories until the installation work has been completed.

| Name and shape | Q'ty | Application |
|---|------|---|
| Operating manual  | 1 | |
| Installation manual  | 1 | (This book) |
| Operating manual (CD-ROM)  | 1 | |
| Wall hook bracket  | 1 | For indoor unit installation. |
| Tapping screw (M4 × 25 mm)  | 9 | For wall hook bracket installation. |
| Cloth tape  | 1 | For indoor unit installation. |
| Push mount cable tie  | 1 | For transmission and remote controller cable binding |
| Air cleaning filter  | 2 | For installation, refer to the "CLEANING AND CARE" in the operating manual. |

2.4. Optional parts

| Description | Model | Application |
|----------------------------|------------|---|
| External connect kit | UTY-XWZXZC | For output function (Output terminal / CNB01) |
| | UTY-XWZXZB | For control input function (Apply voltage terminal / CNA01) |
| | UTY-XWZXZD | For control input function (Dry contact terminal / CNA02) |
| | UTY-XWZXZ7 | For forced thermostat off function (Apply voltage terminal / CNA03) |
| | UTY-XWZXZE | For forced thermostat off function (Dry contact terminal / CNA04) |
| Half concealed kit | UTR-STA | For half concealed installation |
| Wireless LAN adapter | UTY-TFSXZ* | For wireless LAN control. |
| External power supply unit | UTZ-GXXA | Supply power to the indoor unit PCB when the indoor unit is turned off to prevent errors. |

3. INSTALLATION WORK

Correct initial installation location is important because it is difficult to move unit after it is installed.

3.1. Selecting an installation location

Decide the mounting position together with the customer as follows.

⚠ WARNING

Select installation locations that can properly support the weight of the indoor unit. Install the units securely so that they do not topple or fall.

⚠ CAUTION

Do not install the indoor unit in the following areas:

- Area with high salt content, such as at the seaside. It will deteriorate metal parts, causing the parts to fail or the unit to leak water.
- Area filled with mineral oil or containing a large amount of splashed oil or steam, such as a kitchen. It will deteriorate plastic parts, causing the parts to fail or the unit to leak water.
- Area that generates substances that adversely affect the equipment, such as sulfuric gas, chlorine gas, acid, or alkali. It will cause the copper pipes and brazed joints to corrode, which can cause refrigerant leakage.
- Area that can cause combustible gas to leak, contains suspended carbon fibers or flammable dust, or volatile inflammables such as paint thinner or gasoline. If gas leaks and settles around the unit, it can cause a fire.
- Area where animals may urinate on the unit or ammonia may be generated.

Do not use the unit for special purposes, such as storing food, raising animals, growing plants, or preserving precision devices or art objects.
It can degrade the quality of the preserved or stored objects.

Do not install where there is the danger of combustible gas leakage.

Do not install the unit near a source of heat, steam, or flammable gas.

Install the unit where drainage does not cause any trouble.

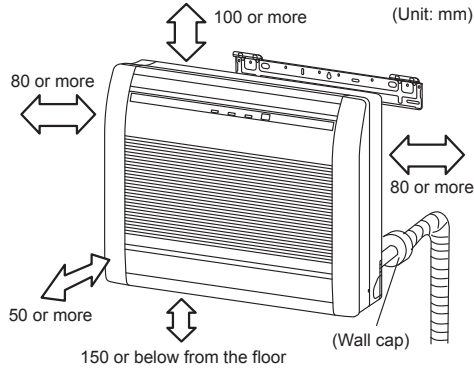
Install the indoor unit, power supply cable, transmission cable, and remote controller cable at least 1 m away from a television or radio receivers. The purpose of this is to prevent TV reception interference or radio noise. (Even if they are installed more than 1 m apart, you could still receive noise under some signal conditions.)

If children under 10 years old may approach the unit, take preventive measures so that they cannot reach the unit.

Take precautions to prevent the unit from falling.

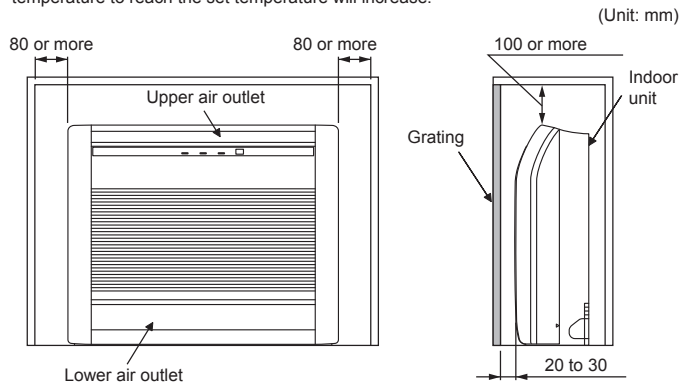
- (1) Install the indoor unit on a place having a sufficient strength so that it withstands against the weight of the indoor unit.
- (2) The inlet and outlet ports should not be obstructed; the air should be able to blow all over the room.
- (3) Leave the space required to service the air conditioner.
- (4) Install the unit where connection to the outdoor unit (or RB unit) is easy.
- (5) Install the unit where the connection pipe can be easily installed.
- (6) Install the unit where the drain pipe can be easily installed.
- (7) Install the unit where noise and vibrations are not amplified.
- (8) Take servicing, etc., into consideration and leave the spaces. Also install the unit where the filter can be removed.
- (9) Do not install the unit where it will be exposed to direct sunlight.

3.2. Installation dimension



Embedding the Indoor unit in a Wall

- When installing a grating, use a grating with narrow upper and lower horizontal bars so that the airflow from the upper and lower air outlets does not contact the bars. If the horizontal bars will block the lower air outlet, use a stand, etc., to adjust the height of the indoor unit. If the upper or lower air outlet is blocked, the air conditioner will not be able to cool or warm the room well.
- Do not block the receiver with the grating. Otherwise, the grating will interfere with the remote controller signal and significantly reduce the distance and area (angle) from which the signals can be received.
- Use a grating with vertical bars, etc., that has at least 75% open area. If the grating has horizontal bars or if the open area is less than 75%, performance could be reduced.
- When the indoor unit is embedded in a wall (built-in), the time it takes for the room temperature to reach the set temperature will increase.



When embedding the indoor unit in a wall, restrict the movement of the horizontal vane for the upper air outlet so that it only operates horizontally. If this setting is not performed, heat will build up in the wall and the room will not be cooled or warmed properly.

Please explain the vane setting of direction only horizontally to the customer.

How to setting vane

Perform the function setting according to the installation condition using the remote controller. Refer to "7.3. Function setting".

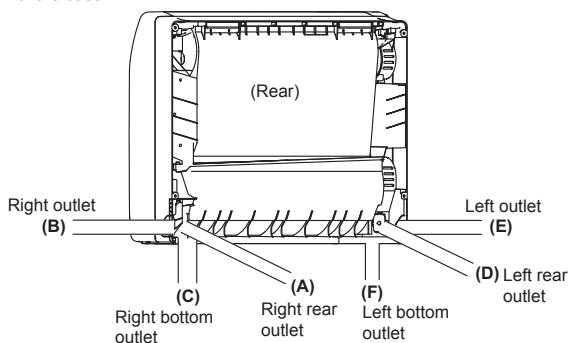
3.3. Indoor unit piping direction

⚠ WARNING

Install the air conditioner in a location which can withstand a load of at least 5 times the weight of the main unit and which will not amplify sound or vibration. If the installation location is not strong enough, the indoor unit may fall and cause injuries.

If the job is done with the panel frame only, there is a risk that the unit will come loose. Please take care.

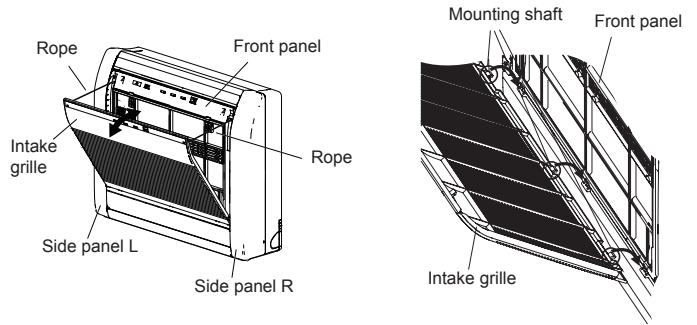
- The piping can be connected in the 6 directions indicated by (A), (B), (C), (D), (E) and (F) in the figure. When the piping is connected in direction (B) or (E), cut along the piping groove in the side of the base with a hacksaw.
- When connecting the piping in direction (C), (F) cut a notch in the thin wall at the front bottom of the base.



3.4. Side panel L, R removal and installation

The intake grille removal

- Open the intake grille.
- Remove the rope.
- Lay down the intake grille, until the axle at the bottom of the intake grille is removed.

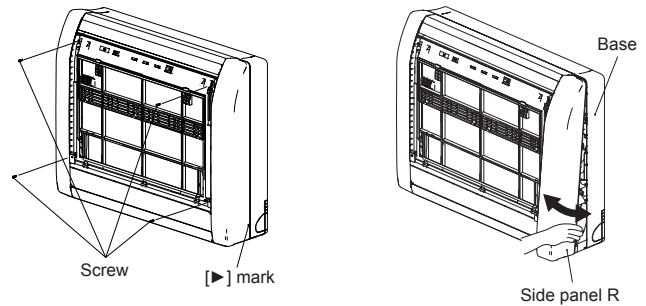


The intake grille installation

- The fixing axle of the intake grille is installed on the Panel.
- Lift the intake grille upward.

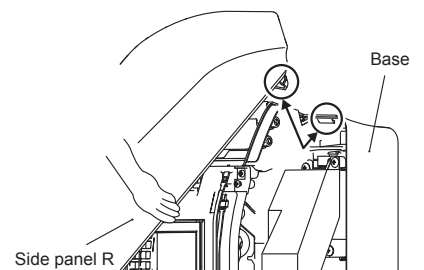
The side panel L, R removal

- Remove intake grille (Reference the intake grille removal.)
- Remove 4 screws.
- The middle finger is hung on the lower part as shown in the figure, and it pulls to the front, pushing [▶] mark, and bottom hooks (2 position) is removed from Base.
- The side panel is pulled to the front, raising the upper surface, and a side panel is removed.



The side panel L, R installation

- Firstly, fit the top part of the side panel, and insert top and bottom hooks.
- 4 screws is attached.
- The intake grille is attached.



⚠ CAUTION

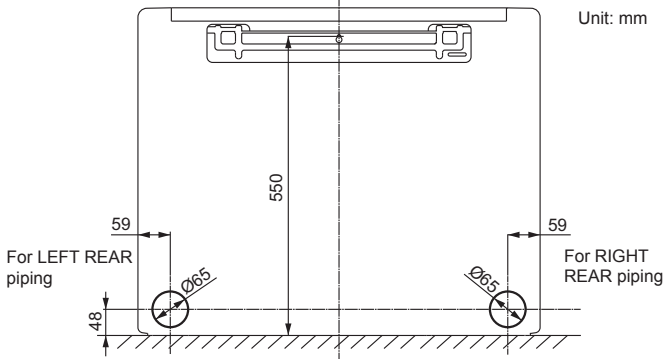
Install the side panel L, R and the intake grille securely. If installation is imperfect, the side panel L, R or the intake grille may fall off and cause injury.

3.5. Cutting the hole in the wall for the connecting piping

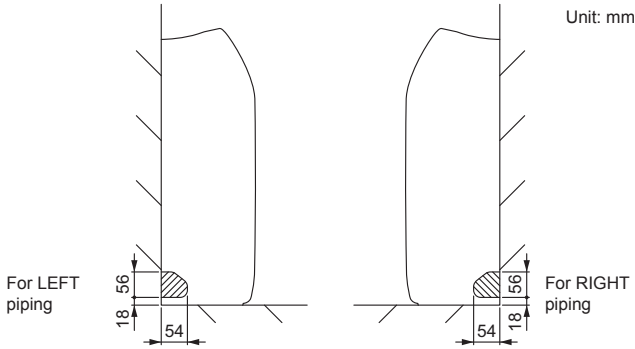
- Cut a 65 mm diameter hole in the wall at the position shown in the figure.
- Always align the center of the wall hole. If misaligned, water leakage will occur.
- Cut the wall pipe to match the wall thickness, stick it into the wall cap, fasten the cap with vinyl tape, and stick the pipe through the hole. (The connection pipe is supplied in the installation set.)
- For left piping and right piping, cut the hole a little lower so that drain water will flow freely.

For RIGHT REAR or LEFT REAR piping

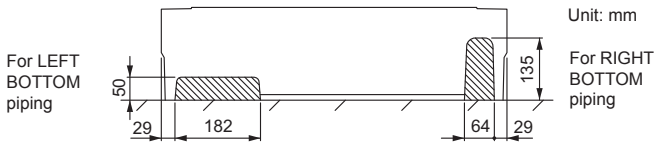
(The following figure is a front view of the indoor unit installation location.)



For RIGHT or LEFT piping

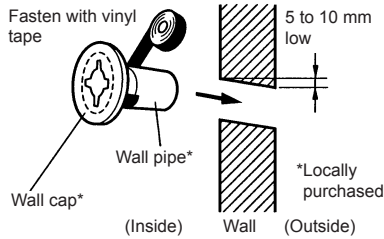


For RIGHT BOTTOM or LEFT BOTTOM piping



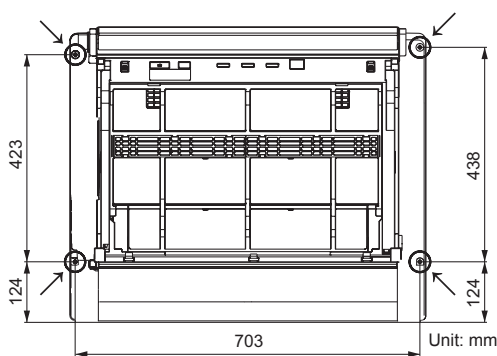
Attach the wall pipe

WARNING
If the wall pipe is not used, the cable interconnecting the indoor and outdoor units may touch metal and cause electric leakage.



3.6. Indoor unit installation

- Use the included and fasten the indoor unit at 4 locations (→) each at top and the middle of the unit.
- When the unit is set to the wall, use the wall hook bracket and hook the top of the indoor unit on the indoor unit wall hook bracket.
- Install it so that there is no gap between the indoor unit and the wall.



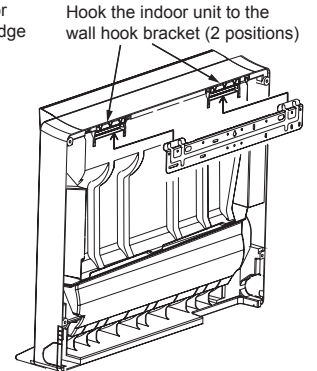
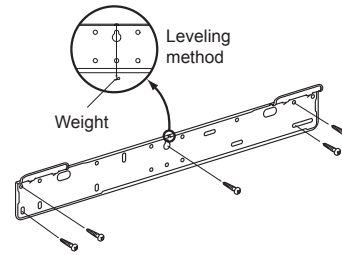
WARNING

Fix the indoor unit with 4 screws surely. If improperly installed, might cause to injury due to the toppling or falling.

Install the indoor unit at the place that has adequate strength. Install the indoor unit so that the installed unit can withstand the weight of adult body weight. If improperly installed, might cause accidental injury due to the toppling or falling.

3.7. Installing the wall hook bracket

- Install the wall hook bracket so that it is correctly positioned horizontally and vertically. If the wall hook bracket is tilted, water will drip to the floor.
 - Install the wall hook bracket so that it is strong enough to support the weight of the unit.
- Fasten the wall hook bracket to the wall with 5 or more screws through the holes near the outer edge of the bracket.
 - Check that there is no rattle at the wall hook bracket.



CAUTION

Install the wall hook bracket level, both horizontally and vertically.

4. PIPE INSTALLATION

CAUTION

Be more careful that foreign matter (oil, water, etc.) does not enter the piping than with refrigerant R410A models. Also, when storing the piping, securely seal the openings by pinching, taping, etc.

While welding the pipes, be sure to blow dry nitrogen gas through them.

4.1. Selecting the pipe material

CAUTION

Do not use existing pipes from another refrigeration system or refrigerant.

Use pipes that have clean external and internal sides without any contamination which may cause trouble during use, such as sulfur, oxide, dust, cutting waste, oil, or water.

It is necessary to use seamless copper pipes.

Material : Phosphor deoxidized seamless copper pipes

It is desirable that the amount of residual oil is less than 40 mg/10 m.

Do not use copper pipes that have a collapsed, deformed, or discolored portion (especially on the interior surface). Otherwise, the expansion valve or capillary tube may become blocked with contaminants.

Improper pipe selection will degrade performance. As an air conditioner using R410A incurs pressure higher than when using conventional (R22) refrigerant, it is necessary to choose adequate materials.

- Thicknesses of copper pipes used with R410A are as shown in the table.
- Never use copper pipes thinner than those indicated in the table even if they are available on the market.

Thicknesses of annealed copper pipes (R410A)

| Pipe outside diameter [mm (in)] | Thickness [mm] |
|---------------------------------|----------------|
| 6.35 (1/4) | 0.80 |
| 9.52 (3/8) | 0.80 |
| 12.70 (1/2) | 0.80 |
| 15.88 (5/8) | 1.00 |
| 19.05 (3/4) | 1.20 |

4.2. Pipe requirement

CAUTION

Refer to the installation manual for the outdoor unit for description of allowable pipe length and height difference.

Use pipe with water-resistant heat insulation.

CAUTION

Install heat insulation around both the gas and liquid pipes. Failure to do so may cause water leaks.

Use heat insulation with heat resistance above 120 °C. (Reverse cycle model only)

In addition, if the humidity level at the installation location of the refrigerant piping is expected to exceed 70 %, install heat insulation around the refrigerant piping.

If the expected humidity level is 70 to 80 %, use heat insulation that is 15 mm or thicker and if the expected humidity exceeds 80 %, use heat insulation that is 20 mm or thicker. If heat insulation is used that is not as thick as specified, condensation may form on the surface of the insulation.

In addition, use heat insulation with heat conductivity of 0.045 W/(m·K) or less (at 20 °C).

4.3. Flare connection (pipe connection)

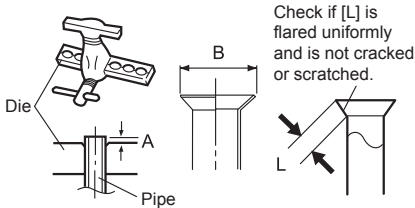
⚠ WARNING

Tighten the flare nuts with a torque wrench using the specified tightening method. Otherwise, the flare nuts could break after a prolonged period, causing refrigerant to leak and generate hazardous gas if the refrigerant comes into contact with a flame.

4.3.1 Flaring

Use special flare tool exclusive for R410A.

- (1) Cut the connection pipe to the necessary length with a pipe cutter.
- (2) Hold the pipe downward so that cuttings will not enter the pipe and remove any burrs.
- (3) Insert the flare nut (always use the flare nut attached to the indoor and outdoor units (or RB unit) respectively) onto the pipe and perform the flare processing with a flare tool. Use the special R410A flare tool. Leakage of refrigerant may result if other flare nuts are used.
- (4) Protect the pipes by pinching them or with tape to prevent dust, dirt, or water from entering the pipes.



| Pipe outside diameter [mm (in)] | Dimension A [mm] (Flare tool for R410A, clutch type) | Dimension B $\frac{3}{4}$ [mm] |
|---------------------------------|--|--------------------------------|
| 6.35 (1/4) | 0 to 0.5 | 9.1 |
| 9.52 (3/8) | | 13.2 |
| 12.70 (1/2) | | 16.6 |
| 15.88 (5/8) | | 19.7 |
| 19.05 (3/4) | | 24.0 |

When using conventional (R22) flare tools to flare R410A pipes, the dimension A should be approximately 0.5 mm more than indicated in the table (for flaring with R410A flare tools) to achieve the specified flaring. Use a thickness gauge to measure the dimension A. It is recommended that a R410A flaring tool is used.

| Pipe outside diameter [mm (in)] | Width across flats of flare nut [mm] | Width across flats |
|---------------------------------|--------------------------------------|--------------------|
| 6.35 (1/4) | 17 | |
| 9.52 (3/8) | 22 | |
| 12.70 (1/2) | 26 | |
| 15.88 (5/8) | 29 | |
| 19.05 (3/4) | 36 | |

4.3.2 Bending pipes

- The pipes are shaped by your hands or pipe bender. Be careful not to collapse them.
- Do not bend the pipes in an angle more than 90°.
- When pipes are repeatedly bend or stretched, the material will harden, making it difficult to bend or stretch them anymore. Do not bend or stretch the pipes more than 3 times.

⚠ CAUTION

To prevent breaking of the pipe, avoid sharp bends.
If the pipe is bent repeatedly at the same place, it will break.

4.3.3 Pipe connection

⚠ CAUTION

Be sure to install the pipe against the port on the indoor unit and the outdoor unit correctly. If the centering is improper, the flare nut cannot be tightened smoothly. If the flare nut is forced to turn, the threads will be damaged.

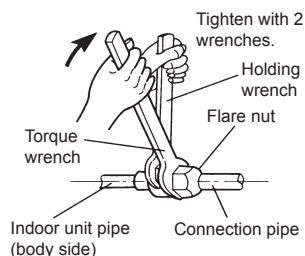
Do not remove the flare nut from the indoor unit pipe until immediately before connecting the connection pipe.

Do not use mineral oil on flared part. Prevent mineral oil from getting into the system as this would reduce the lifetime of the units.

Hold the torque wrench at its grip, keeping it at a right angle with the pipe, in order to tighten the flare nut correctly.

When the flare nut is tightened properly by your hand, hold the body side coupling with a separate spanner, then tighten with a torque wrench. (Refer to the table below for the flare nut tightening torques.)

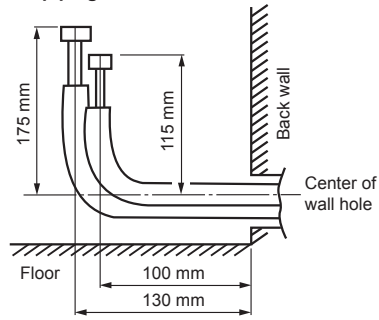
| Flare nut [mm (in)] | Tightening torque [N·m (kgf·cm)] |
|---------------------|----------------------------------|
| 6.35 (1/4) dia. | 16 to 18 (160 to 180) |
| 9.52 (3/8) dia. | 32 to 42 (320 to 420) |
| 12.70 (1/2) dia. | 49 to 61 (490 to 610) |
| 15.88 (5/8) dia. | 63 to 75 (630 to 750) |
| 19.05 (3/4) dia. | 90 to 110 (900 to 1,100) |



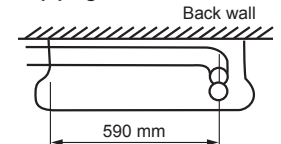
4.4. Forming piping

- (1) Pass the refrigerant pipe through the piping hole to indoor side.
- (2) Arrange the pipes according to the direction of piping.

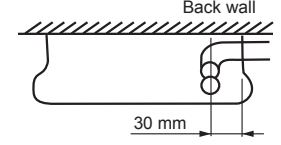
Rear piping



Left piping



Right piping



NOTE :

In the case of left piping, first form the pipe and then connect it to the indoor unit.

4.5. Note on drain hose

⚠ CAUTION

Insert drain hose and drain cap securely. Drain should slope down to avoid water leakage.

When inserting, be sure not to attach any material besides water. If any other material is attached, it will cause deterioration and water leakage.

After removing drain hose, be sure not to forget mounting drain cap.

Be sure to fix the drain hose with tape to the bottom of piping.

Prevent drain water freezing under low temperature environment.

When installing indoor unit's drain hose outdoors, necessary measure for frost protection should be taken to prevent drain water freezing.

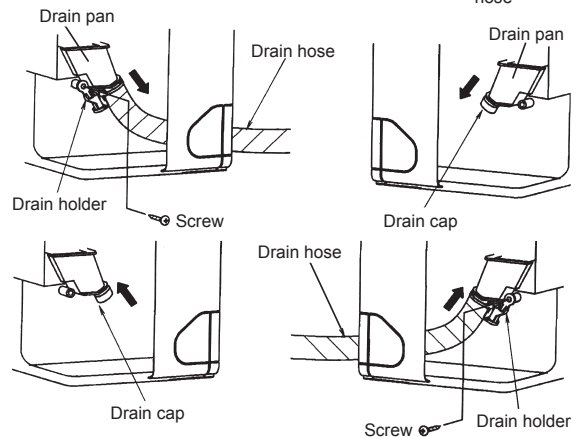
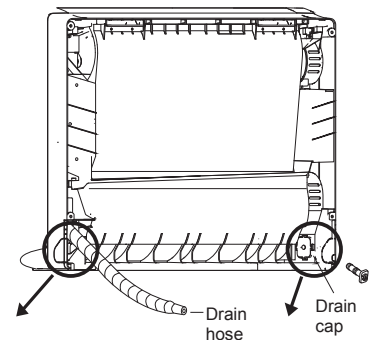
Under low temperature environment (when outdoor temperature under 0 °C), after cooling operation is executed, water in the drain hose could be frozen.

Once drain water is frozen, the drain hose will be blocked and water leakage may result at the indoor unit.

The drain hose can be connected at either side of the indoor unit.

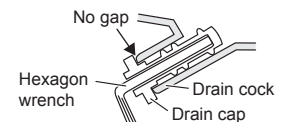
The unit has been shipped with the drain hose connected at left (viewed from the back of the unit) and the drain cap applied at right.

- (1) Remove the both side panels.
- (2) Remove the screw and remove the drain holder from drain pan.
- (3) Pull out the drain cap.
- (4) Connect the drain hose to the right, attach the screw and insert the drain cap to the left.



Installation method of Drain cap

Use a hexagonal wrench (4 mm at opposite side) to insert the drain cap, till the drain cap contacts the tip of drain cock.



⚠ CAUTION

Insert the drain hose and drain cap into the drain port, making sure that it comes in contact with the back of the drain port, and then mount it. If the drain hose is not connected properly, leaking will occur.

5. ELECTRICAL WIRING

⚠ WARNING

Electrical work must be performed in accordance with this manual by a person certified under the national or regional regulations. Be sure to use a dedicated circuit for the unit. An insufficient power supply circuit or improperly performed electrical work can cause serious accidents such as electric shock or fire.

Before starting work, check that power is not being supplied to the all units.

Use the included connection cables and power cables or ones specified by the manufacturer. Improper connections, insufficient insulation, or exceeding the allowable current can cause electric shock or fire.

For wiring, use the prescribed type of cables, connect them securely, making sure that there are no external forces of the cables applied to the terminal connections. Improperly connected or secured cables can cause serious accidents such as overheating the terminals, electric shock, or fire.

Do not modify the power cables, use extension cables, or use any branches in the wiring. Improper connections, insufficient insulation, or exceeding the allowable current can cause electric shock or fire.

Match the terminal board numbers and connection cable colors with those of the outdoor unit (or RB unit). Erroneous wiring may cause burning of the electric parts.

Securely connect the connection cables to the terminal board. In addition, secure the cables with wiring holders. Improper connections, either in the wiring or at the ends of the wiring, can cause a malfunction, electric shock, or fire.

Always fasten the outside covering of the connection cable with the cable clamp. (If the insulator is chafed, electric discharge may occur.)

Securely install the electrical box cover on the unit. An improperly installed electrical box cover can cause serious accidents such as electric shock or fire through exposure to dust or water.

Install sleeves into any holes made in the walls for wiring. Otherwise, a short circuit could result.

Install an earth leakage breaker. In addition, install the earth leakage breaker so that the entire AC main power supply is cut off at the same time. Otherwise, electric shock or fire could result.

Always connect the earth (ground) cable. Improper earthing (grounding) work can cause electric shocks.

Install the remote controller cables so as not to be direct touched with your hand.

Perform wiring work in accordance with standards so that the air conditioner can be operated safely and positively.

Connect the connection cable firmly to the terminal board. Imperfect installation may cause a fire.

If the supply cable is damaged, it must be replaced by the manufacturer, its service agent or similarly qualified persons in order to avoid a hazard.

⚠ CAUTION

Earth (Ground) the unit. Do not connect the earth (ground) cable to a gas pipe, water pipe, lightning rod, or a telephone earth (ground) cable. Improper earthing (grounding) may cause electric shock.

Do not connect power supply cable to the transmission or remote controller terminals, as this will damage the product.

Never bundle the power supply cable and transmission cable, remote controller cable together. Separate these cable by 50 mm or more. Bundling these cables together will cause miss operation or breakdown.

When handling PCB, static electricity charged in the body may cause malfunction of the PCB. Follow the cautions below:

- Establish an earth (ground) for the indoor and outdoor units and peripheral devices.
- Cut power (breaker) off.
- Touch metal part of the indoor units for more than 10 seconds to discharge static electricity charged in the body.
- Do not touch terminals of parts and patterns implemented on PCB.

5.1. Electrical requirement

- Select the power cable type and size in accordance with relevant local and national regulations.
- Specifications for local wiring power cord and branch wiring are in compliance with local code
- Max. wire length: Set a length so that the voltage drop is less than 2%. Increase the wire diameter when the wire length is long.

| | |
|------------------------|--|
| Voltage rating | 230 V |
| Operating range | 198 to 264 V (50 Hz) 198 to 253 V (60 Hz) |

Breaker should be installed at every refrigerant system. Do not use a breaker in a different refrigerant system.

Refer to the table for the breaker specifications of each installation condition. Perform the power crossover wiring within the range of the same refrigerant system. When the crossover wiring is done, make a connection for indoor units to satisfy conditions A and B below.

A. Current breaker requirements

| Model | MCA | MFA |
|-------------|--------|------|
| AG*A004GCGH | 0.16 A | 20 A |
| AG*A007GCGH | 0.17 A | |
| AG*A009GCGH | 0.18 A | |
| AG*A012GCGH | 0.22 A | |
| AG*A014GCGH | 0.28 A | |
| AG*E004GCEH | 0.16 A | |
| AG*E007GCEH | 0.17 A | |
| AG*E009GCEH | 0.18 A | |
| AG*E012GCEH | 0.22 A | |
| AG*E014GCEH | 0.28 A | |

- MCA: Minimum Circuit Ampacity
- MFA: Maximum Fuse Ampacity

When the power crossover wiring is done, make it so that the total of the MCA of the connected RB units and indoor units does not exceed the 15 A. For RB unit MCA, refer to the RB unit installation manual.

If the capacity of connected RB units and indoor units exceeds the upper limit, either add breakers or use a breaker with a greater capacity.

B. Earth leakage breaker requirements

| Breaker capacity | Maximum connectable "indoor units" or "indoor units + RB units" (*1) |
|-------------------------|--|
| 30 mA, 0.1 sec or less | 44 or less |
| 100 mA, 0.1 sec or less | 45 to 148 (*2) |

- *1: Heat pump type: indoor units, Heat recovery type: indoor units and RB units.
- *2: If the 100 mA capacity breaker is not provided, split the quantity of the indoor units into small groups of 9 units or less and provide a breaker with capacity of 30 mA for each group.

5.1.1 Cable specifications

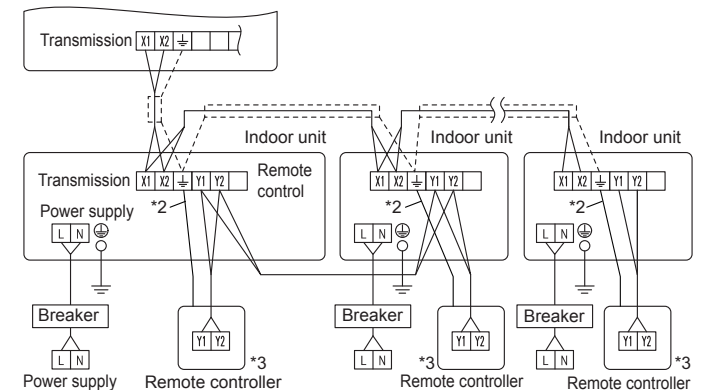
| | Recommended cable size (mm ²) | Cable type | Remark |
|---------------------------------------|---|-----------------------------|--|
| Power supply cable | 2.5 | Type245 IEC57 or equivalent | 2 Cable + earth (ground) |
| Transmission cable | 0.33 | LONWORKS® compatible cable | 22 AWG LEVEL 4 (NEMA) non-polar 2 core, twisted pair solid core diameter 0.65 mm |
| Remote controller cable (2-wire type) | 0.33 to 1.25 | Sheathed PVC cable *1 | Non-polar 2 core, twisted pair |

*1: Use shielded cable in accordance with local rules for remote controller cable.

5.2. Wiring method

Example

Outdoor unit or RB unit *1

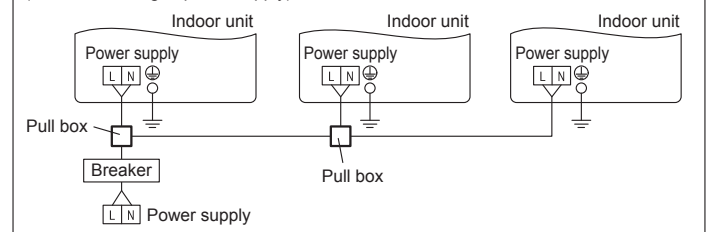


*1: When connecting to the Heat Recovery System, refer to the installation manual of the RB unit.

*2: Earth (Ground) the remote controller if it has an earth (ground) cable.

*3: The 3-wire type remote controller is not used.

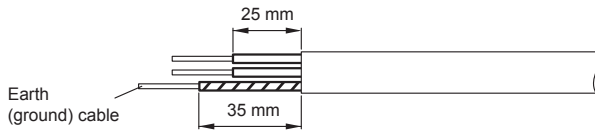
(Crossover wiring of power supply)



5.3. Unit wiring

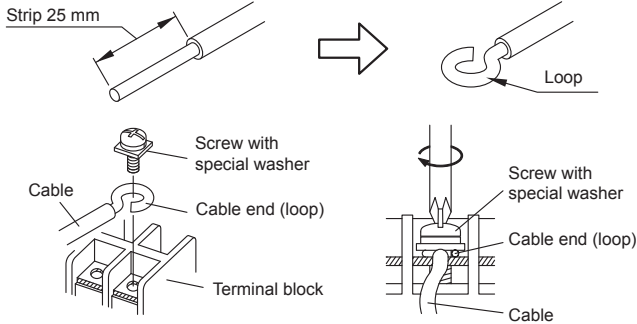
• Before attaching the cable to terminal block.

5.3.1 Power supply cable



A. For solid core wiring

- (1) To connect the electrical terminal, follow the below diagram and connect after looping it around the end of the cable.
- (2) Use the specified cables, connect them securely, and fasten them so that there is no stress placed on the terminals.
- (3) Use an appropriate screwdriver to tighten the terminal screws. Do not use a screwdriver that is too small, otherwise, the screw heads may be damaged and prevent the screws from being properly tightened.
- (4) Do not tighten the terminal screws too much, otherwise, the screws may break.
- (5) See the table for the terminal screw tightening torques.
- (6) Please do not fix 2 power supply cables with 1 screw.

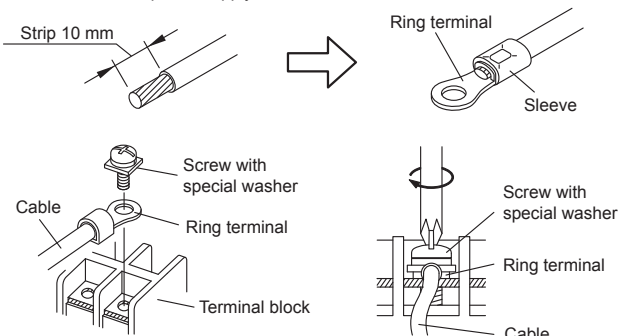


⚠ WARNING

When using solid core cables, do not use the attached ring terminal. If you use the solid core cables with the ring terminal, the ring terminal's pressure bonding may malfunction and cause the cables to abnormally heat up.

B. For strand wiring

- (1) Use ring terminals with insulating sleeves as shown in the figure below to connect to the terminal block.
- (2) Securely clamp the ring terminals to the cables using an appropriate tool so that the cables do not come loose.
- (3) Use the specified cables, connect them securely, and fasten them so that there is no stress placed on the terminals.
- (4) Use an appropriate screwdriver to tighten the terminal screws. Do not use a screwdriver that is too small, otherwise, the screw heads may be damaged and prevent the screws from being properly tightened.
- (5) Do not tighten the terminal screws too much, otherwise, the screws may break.
- (6) See the table for the terminal screw tightening torques.
- (7) Please do not fix 2 power supply cables with 1 screw.

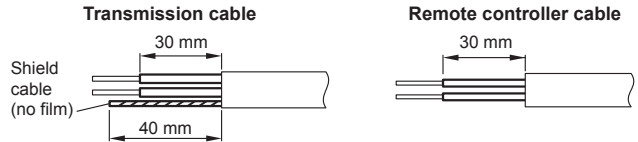


⚠ WARNING

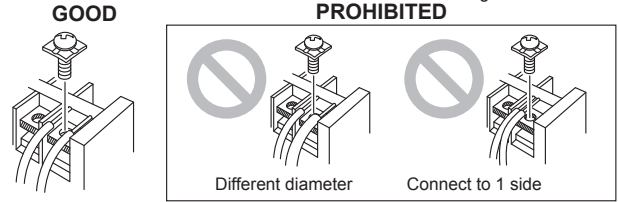
Use ring terminals and tighten the terminal screws to the specified torques, otherwise, abnormal overheating may be produced and possibly cause heavy damage inside the unit.

| Terminal number | Tightening torque |
|-----------------------------------|----------------------------------|
| M4 screw (Power supply/L, N, GND) | 1.2 to 1.8 N·m (12 to 18 kgf·cm) |

5.3.2 Transmission and Remote controller cable



• Connect remote controller and transmission cables as shown in figure below.



⚠ WARNING

Tighten the terminal screws to the specified torques, otherwise, abnormal overheating may be occurred and possibly cause serious damage inside the unit.

Tightening torque

| | |
|--|--------------------------------|
| M3 screw (Transmission /X1, X2) (Remote controller /Y1, Y2) | 0.5 to 0.6 N·m (5 to 6 kgf·cm) |
|--|--------------------------------|

⚠ CAUTION

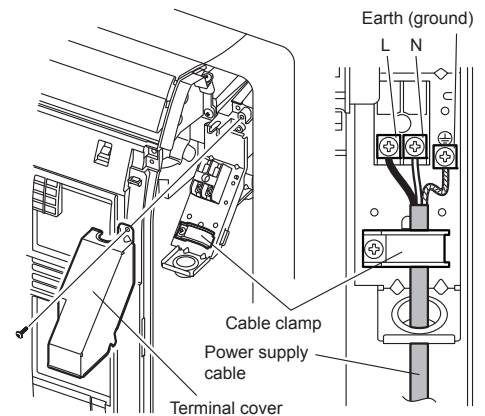
To peel the sheath from the lead cable, use a dedicated tool that will not damage the conductor cable.

When installing a screw on the terminal block, do not cut the wire by overtightening the screw. On the other hand, an under tightened screw can cause faulty contact, which will lead to a communication failure.

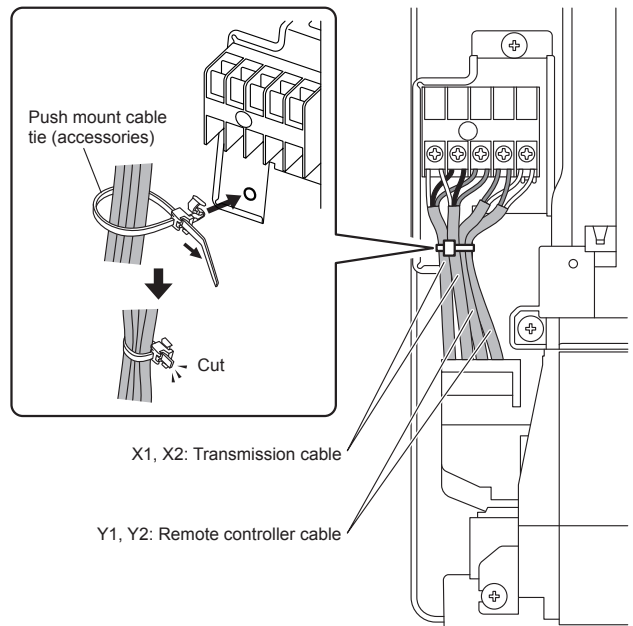
5.4. Wiring

5.4.1 Power supply cable

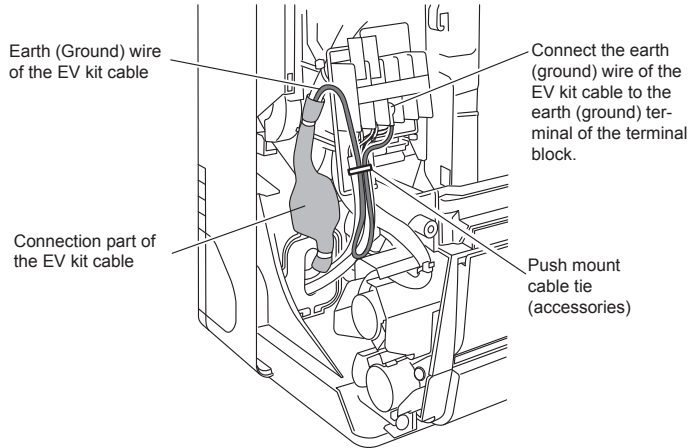
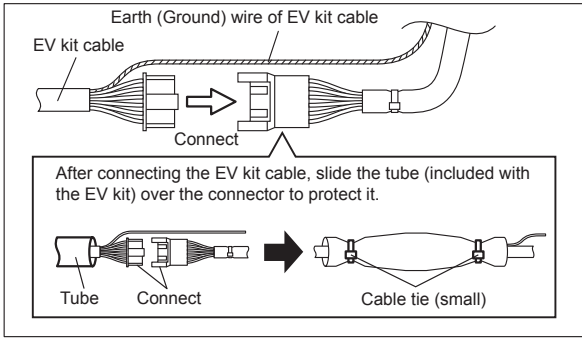
- (1) Remove the terminal cover.
- (2) Remove the cable clamp.
- (3) Bend the end of the connection cable as shown in the figure.
- (4) Connect the end of the connection cable fully into the terminal block.
- (5) Fasten the connection cable with a cable clamp.



5.4.2 Transmission and remote controller cable



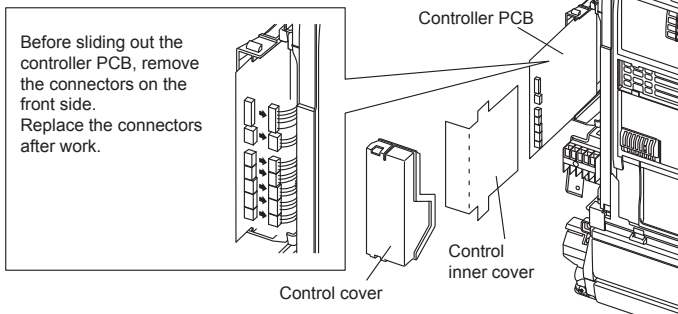
5.4.3 EV kit cable connecting (EEV external model only)



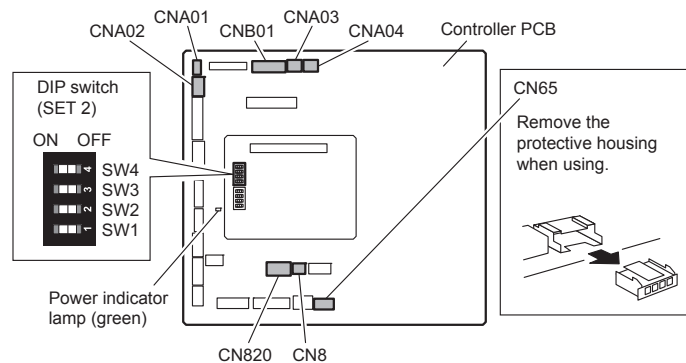
5.5. Optional parts wiring

5.5.1 Control cover removal

- (1) Remove the control cover.
- (2) Remove the control inner cover.
- (3) Slide out the controller PCB.



5.5.2 Layout of the indoor unit PCB



| Name | Application | |
|------------------------------|--|----------------------|
| Power indicator lamp (green) | Indicates the state of the power supply. Refer to "Power indicator lamp status" following. | |
| CNA01 | Apply voltage terminal | |
| CNA03 | For external input | |
| CNA02 | | Dry contact terminal |
| CNA04 | | |
| DIP switch SET 2 (SW2) | Input signal type switching | |
| CNB01 | Output terminal | |
| CN8 | For Remote sensor unit (*1) | |
| CN65 | For one of the following. • MODBUS® converter (*1) • Wireless LAN adapter (*1) | |
| CN820 | For External power supply unit (*1) | |

*1: For details, refer to each installation manual.

5.5.3 Power indicator lamp status

| Power indicator lamp (Green) | Status contents |
|---|--|
| ○ Lit | Lit when the power is turned on. |
| ● Fast flashing (every 0.1 second) | There is a fault with the communication board or the main board. |
| ● Blinking (repeat 3 seconds ON and 1 second OFF) | The indoor unit is turned off and power is supplied from the External power supply unit (optional) to the indoor unit PCB. |

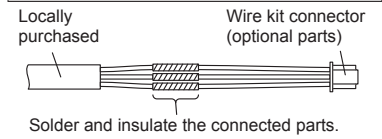
5.5.4 Connection methods

Wire modification for External input/output wire

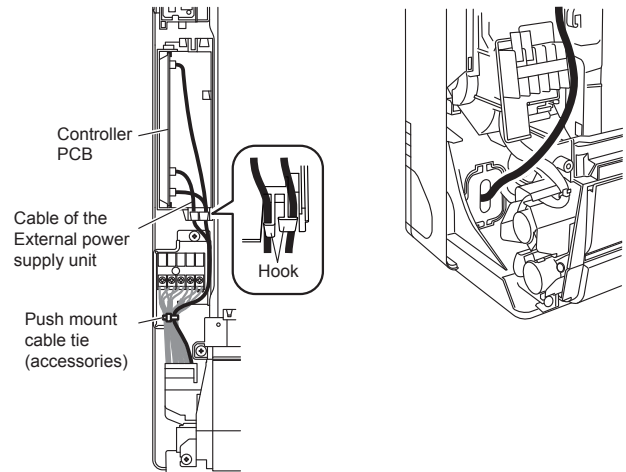
- (1) Remove insulation from wire attached to wire kit connector.
- (2) Remove insulation from field supplied cable. Use crimp type insulated butt connector to join field cable and wire kit wire.
- (3) Connect the wire with connecting wire with solder.

IMPORTANT:

Be sure to insulate the connection between the wires.



Wiring arrangement



5.6. External input and external output (optional parts)

5.6.1 External input

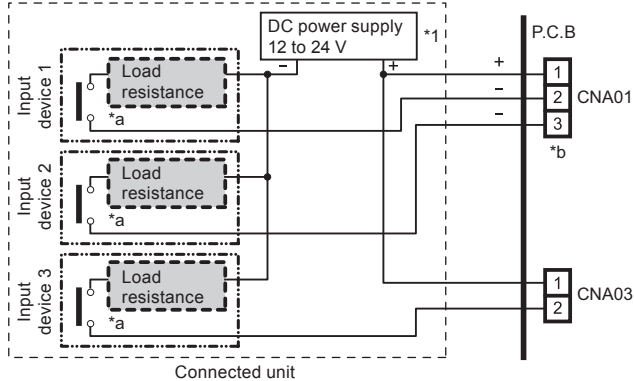
- Indoor unit can be operation/stop, emergency stop or forced stop by using indoor unit PCB CNA01 or CNA02.
- "Operation/Stop" mode, "Emergency stop" mode or "Forced stop" mode can be selected with function setting of indoor unit.
- Indoor unit can be forced thermostat off by using indoor unit PCB CNA03 or CNA04.
- A twisted pair cable (22 AWG) should be used. Maximum length of cable is 150 m.
- Use an external input and output cable with appropriate external dimension, depending on the number of cables to be installed.
- The wire connection should be separate from the power cable line.

Input select

Use either one of these types of terminal according to the application. (Both types of terminals cannot be used simultaneously.)

• Apply voltage terminal ([CNA01], [CNA03])

When a power supply must be provided at the input device you want to connect, use the apply voltage terminal ([CNA01], [CNA03]).

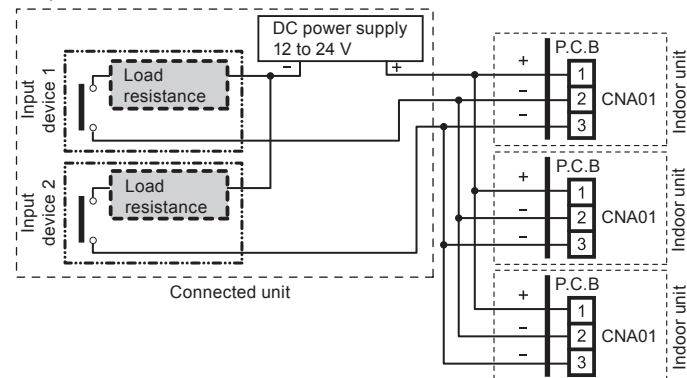


*1: Make the power supply DC 12 to 24 V. Select a power supply capacity with an ample surplus for the connected load.
Do not impress a voltage exceeding 24 V across pins 1-2, and 1-3.

*a: The allowable current is DC 5 mA to 10 mA. (Recommended: DC 5 mA)
Provide a load resistance such that the current becomes DC 10 mA or less.
Select very low current use contacts (usable at DC 12 V, DC 1 mA or less).

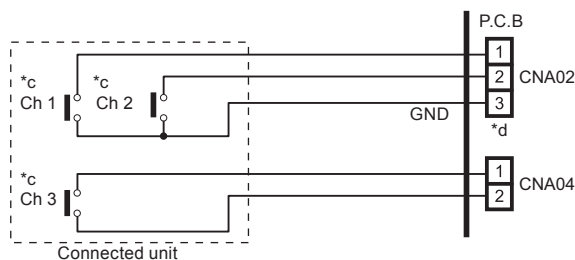
*b: The polarity is [+] for pin 1 and [-] for pin 2 and 3. Connect correctly.

When connected to apply voltage terminals of multiple indoor units with a connected unit, be sure to make a branch outside the indoor unit using a pull box, etc. as shown on below example.



• Dry contact terminal ([CNA02], [CNA04])

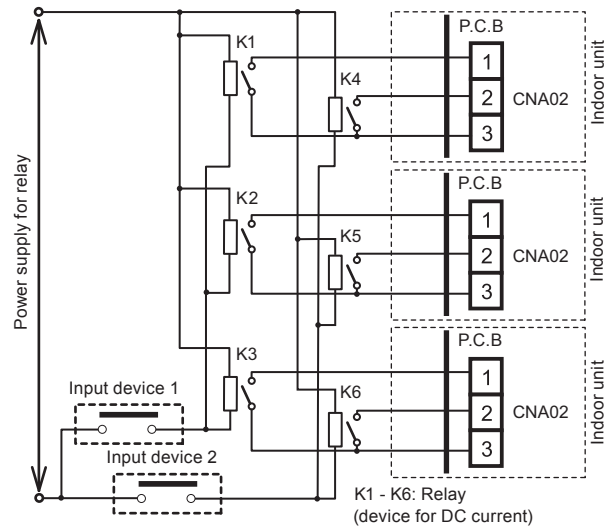
When a power supply is unnecessary at the input device you want to connect, use the dry contact terminal ([CNA02], [CNA04]).



*c: Select very low current use contacts (usable at DC 12 V, DC 1 mA or less).

*d: The wiring is different from apply voltage terminals. Be sufficiently careful when wiring.

When connected to dry contact terminals of multiple indoor units with a connected unit, insulate each indoor unit with relay, etc. as shown on below example.



NOTE :

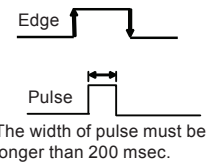
When connected to multiple indoor units directly, it will cause breakdown.

Operation behavior

• Input signal type

The input signal type can be selected.
It is switched by DIP switch on the indoor unit PCB.

| DIP switch [Set 2 SW2] | Input signal type |
|------------------------|-------------------|
| OFF (factory setting) | Edge |
| ON | Pulse |



• When function setting is "Operation/Stop" mode.

[In the case of "Edge" input]

| Connector | Input signal | Command |
|-----------------------|--------------|-----------|
| Ch1 of CNA01 or CNA02 | OFF → ON | Operation |
| | ON → OFF | Stop |

[In the case of "Pulse" input]

| Connector | Input signal | Command | |
|----------------|--------------|----------|-----------|
| CNA01 or CNA02 | Ch1 | OFF → ON | Operation |
| | Ch2 | OFF → ON | Stop |

* The last command has priority.

* The indoor units within the same remote controller group operates in the same mode.

• When function setting is "Emergency stop" mode.

[In the case of "Edge" input]

| Connector | Input signal | Command |
|-----------------------|--------------|----------------|
| Ch1 of CNA01 or CNA02 | OFF → ON | Emergency stop |
| | ON → OFF | Normal |

[In the case of "Pulse" input]

| Connector | Input signal | Command | |
|----------------|--------------|----------|----------------|
| CNA01 or CNA02 | Ch1 | OFF → ON | Emergency stop |
| | Ch2 | OFF → ON | Normal |

* All indoor units of same refrigerant system stops when emergency stop operates.

• When function setting is "Forced stop" mode.

[In the case of "Edge" input]

| Connector | Input signal | Command |
|-----------------------|--------------|-------------|
| Ch1 of CNA01 or CNA02 | OFF → ON | Forced stop |
| | ON → OFF | Normal |

[In the case of "Pulse" input]

| Connector | Input signal | Command | |
|----------------|--------------|----------|-------------|
| CNA01 or CNA02 | Ch1 | OFF → ON | Forced stop |
| | Ch2 | OFF → ON | Normal |

* When the forced stop is triggered, indoor unit stops and operation/stop operation by a remote controller is restricted.

* When forced stop function is used with forming a remote controller group, connect the same equipment to each indoor unit within the group.

• Selection method of functions

"Operation/Stop" mode or "Emergency stop" mode, "Forced stop" mode can be selected with function setting of indoor unit.

● **Forced thermostat off function**

["Edge" input only]

| Function setting | Connector | Input signal | Command |
|------------------|-----------------------|--------------|----------------|
| 60-00 | Ch3 of CNA03 or CNA04 | OFF → ON | Thermostat off |
| | | ON → OFF | Normal |

● **Refrigerant leak detection function (only for J-IIIIL series)**

["Edge" input only]

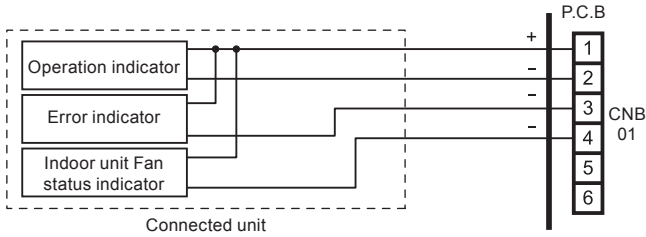
| Function setting | Connector | Input signal | Command |
|------------------|-----------------------|--------------|------------------|
| 60-09 | Ch3 of CNA03 or CNA04 | OFF → ON | No command |
| | | ON → OFF | Refrigerant leak |

5.6.2 External output

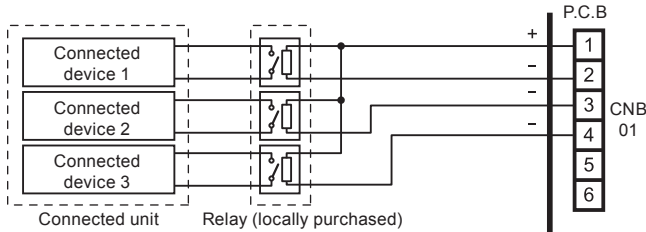
- A twisted pair cable (22AWG) should be used. Maximum length of cable is 25m.
- Use an external input and output cable with appropriate external dimension, depending on the number of cables to be installed.
- Output voltage: Hi DC12V±2V, Lo 0V.
- Permissible current: 50mA

Output select

- **When indicator etc. are connected directly**



- **When connecting with unit equipped with a power supply**



Operation behavior

| | Connector | Output voltage | Status |
|-------|-------------------------------|----------------|---------------------------|
| CNB01 | External output 1 Pins 1-2 | 0V | Stop |
| | | DC 12 V | Operation |
| | External output 2 Pins 1-3 | 0V | Normal |
| | | DC 12 V | Error |
| | External output 3 Pins 1-4 | 0V | Indoor unit fan stop |
| | | DC 12 V | Indoor unit fan operation |

6. FINISHING

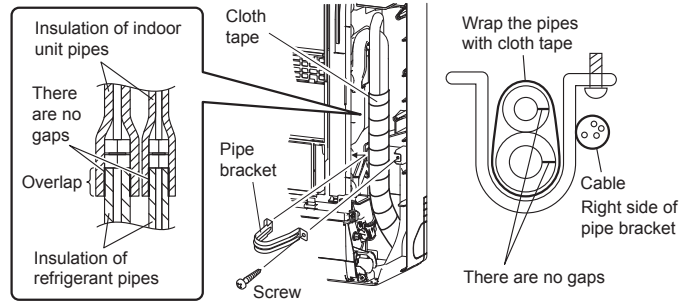
CAUTION

After checking for gas leaks (refer to the installation manual of the outdoor unit), perform this section.

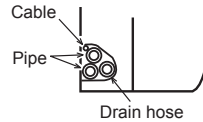
Install heat insulation around both the large (gas) and small (liquid) pipes. Failure to do so may cause water leaks.

6.1. Connection pipe, cable and drain hose

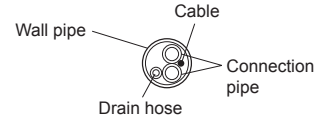
- (1) Insulate between pipes.
 - Overlap the connection pipe heat insulation and indoor unit pipe heat insulation.
 - Wrapping the connection pipe with cloth tape over the range within which they fit into the rear piping housing section.
 - Fasten the pipe bracket with the screw.
- (2) Fill the gap between the outside wall pipe hole and the pipe with sealer so that rain water and wind cannot blow in.
- (3) Fasten the drain hose to the outside wall, etc.



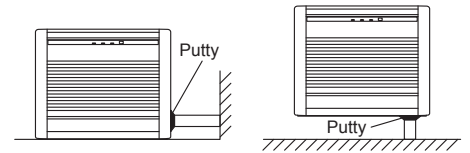
Left piping



For connection from the left rear



Fill the gap between the knockout hole of the indoor unit and the pipe or cable with putty.

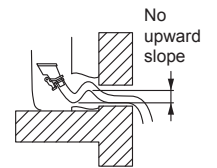
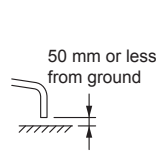
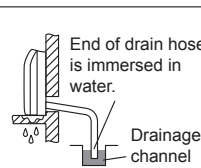
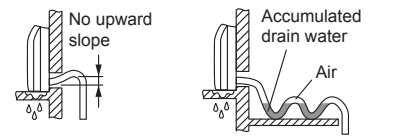


Check the following:

GOOD



PROHIBITED



7. FIELD SETTING

There are 3 methods for address setting by field setting as follows. Please set by either of the methods. Each setting method is described in below (1) to (3).

- (1) IU AD, REF AD SW settings: This section (7.1. Setting the address)
- (2) Remote controller settings: Refer to the wired or wireless remote controller manual for detailed setting information. (Set IU AD, REF AD SW to 0)
- (3) Automatic address settings: Refer to the outdoor unit manual for detailed setting information. (Set IU AD, REF AD SW to 0)

7.1. Setting the address

Manual address setting method

The indoor unit address and the refrigerant circuit address can also be set up through the wireless remote controller

CAUTION

Be sure to turn OFF the power before performing the field setting.

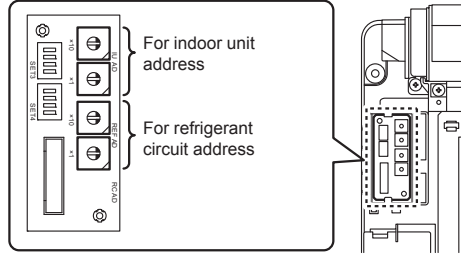
- Please set it according to the following procedures when setting manually.

- Position and detail of the switches

CAUTION

Use an insulated screwdriver to set the dip switches.

Be careful not to make mistakes for switch settings.



| | |
|------------------------------------|---|
| Indoor unit address | <ul style="list-style-type: none"> • Rotary switch (IU AD × 1)...Factory setting "0" • Rotary switch (IU AD × 10)...Factory setting "0" <p>When connecting multiple indoor units to 1 refrigerant system, set the address at IU AD SW as shown in the table A.</p> |
| Refrigerant circuit address | <ul style="list-style-type: none"> • Rotary switch (REF AD × 1)...Factory setting "0" • Rotary switch (REF AD × 10)...Factory setting "0" <p>In the case of multiple refrigerant systems, set REF AD SW as shown in the table A for each refrigerant system. Set to the same refrigerant circuit address as the outdoor unit.</p> |

- If working in an environment where the wireless remote controller can be used, the addresses can also be set using the remote controller.
- If setting the addresses using the wireless remote controller, set the indoor unit address and refrigerant circuit address to "00". (For information on setting using the wireless remote controller.)

- * Do not set the indoor unit address (IU AD SW) at 64 to 99. It may result in failure.

Table A

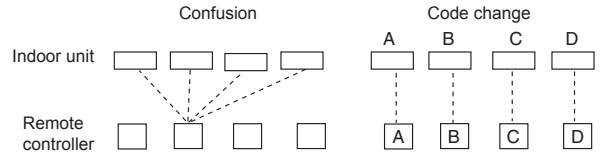
| Address | Rotary switch setting | | Address | Rotary switch setting | |
|---------|-----------------------|---------------|---------|-----------------------|---------------|
| | REF AD SW × 10 | REF AD SW × 1 | | Indoor unit | IU AD SW × 10 |
| 0 | 0 | 0 | 0 | 0 | 0 |
| 1 | 0 | 1 | 1 | 0 | 1 |
| 2 | 0 | 2 | 2 | 0 | 2 |
| 3 | 0 | 3 | 3 | 0 | 3 |
| 4 | 0 | 4 | 4 | 0 | 4 |
| 5 | 0 | 5 | 5 | 0 | 5 |
| ... | ... | ... | ... | ... | ... |
| 10 | 1 | 0 | 10 | 1 | 0 |
| 11 | 1 | 1 | 11 | 1 | 1 |
| ... | ... | ... | ... | ... | ... |
| 99 | 9 | 9 | 63 | 6 | 3 |

Setting example

| Setting | Setting range | Type of switch |
|-----------------------------|---------------|---|
| Indoor unit address | 0 to 63 | Setting example 2 IU AD × 10 IU AD × 1 |
| Refrigerant circuit address | 0 to 99 | Setting example 63 REF AD × 10 REF AD × 1 |

7.2. Custom code setting

- Selecting the custom code prevents the indoor unit mix-up. (figure below) (Up to 4 codes can be set.)
- Perform the setting for both the indoor unit and the remote controller.



Custom code setting for indoor unit

Set the DIP switch SET3 SW1, 2, referring to the figure and table below.

The diagram shows a DIP switch labeled 'SET3' with four switches (SW1, SW2, SW3, SW4). A legend indicates that SW1 and SW2 are set to 'ON' (indicated by a black bar) and SW3 and SW4 are set to 'OFF' (indicated by a white bar).

| DIP switch SET3 | Custom code | | | |
|-----------------|---------------------|-----|-----|----|
| | A (Factory setting) | B | C | D |
| SW1 | OFF | ON | OFF | ON |
| SW2 | OFF | OFF | ON | ON |

7.3. Function setting

WARNING

Please make this setting after completing all construction works.

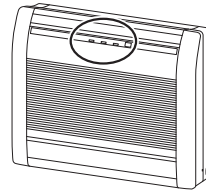
- Function setting can be performed with the wired or wireless remote controller. (The remote controller is optional equipment)
- Refer to the wired or wireless remote controller manual for detailed setting information.
- Refer to "7.1. Setting the address" for indoor unit address and refrigerant circuit address settings.
- Turn the power of the indoor unit ON before starting the setting.
- * Turning on the power to the indoor units initializes EEV, so make sure the piping air tight test and vacuuming have been conducted before turning on the power.
- * Also check again to make sure no wiring mistakes were made before turning on the power.

Function details

| Function | Function number | Setting number | Default | Details |
|------------------------------------|-----------------|--|---------|---|
| Filter indicator interval | 11 | 00 Standard | ○ | Adjust the filter cleaning interval notification. If the notification is too early, change to setting 01. If the notification is too late, change to setting 02. |
| | | 01 Longer | | |
| | | 02 Shorter | | |
| Filter indicator action | 13 | 00 Enable | ○ | Enable or disable the filter indicator. Setting 02 is for use with a central remote controller. |
| | | 01 Disable | | |
| | | 02 Display only on central remote controller | | |
| (Prohibited) | 20 | 00 | ○ | |
| Vertical airflow direction | 23 | 00 Standard | ○ | Adjust the vertical airflow direction. |
| | | 01 Adjust | | |
| Horizontal swing airflow direction | 24 | 00 Standard | ○ | Adjust the horizontal swing airflow direction. (For horizontal swing equipped models) |
| | | 01 Left half | | |
| | | 02 Right half | | |
| (Prohibited) | 27 | 00 | ○ | |
| Cool air temperature trigger | 30 | 00 Standard | ○ | Adjust the cool air trigger temperature. To lower the trigger temperature, use setting 01. To raise the trigger temperature, use setting 02. |
| | | 01 Adjust (1) | | |
| | | 02 Adjust (2) | | |
| Heat air temperature trigger | 31 | 00 Standard | ○ | Adjust the heat air trigger temperature. To lower the trigger temperature by 6 degrees C, use setting 01. To lower the trigger temperature by 4 degrees C, use setting 02. To raise the trigger temperature, use setting 03. |
| | | 01 Adjust (1) | | |
| | | 02 Adjust (2) | | |
| Auto restart | 40 | 00 Enable | ○ | Enable or disable automatic system restart after a power outage. * Auto restart is an emergency function such as for power failure etc. Do not start and stop the indoor unit by this function in normal operation. Be sure to operate by the control unit, converter or external input device. |
| | | 01 Disable | | |

| Function | Function number | Setting number | Default | Details |
|---|-----------------|--|---------|---|
| Cool Air Prevention | 43 | 00 Super low | ○ | Restraining the cold airflow with making the airflow lower when starting heating operation. To correspond to the ventilation, set to 01. |
| | | 01 Follow the setting on the remote controller | | |
| External control | 46 | 00 Start/Stop | ○ | Allow an external controller to start or stop the system, or to perform an emergency stop. * If an emergency stop is performed from an external controller, all refrigerant systems will be disabled. * If forced stop is set, indoor unit stops by the input to the external input terminals, and Start/Stop by a remote controller is restricted. |
| | | 01 Emergency stop | | |
| | | 02 Forced Stop | | |
| Error report target | 47 | 00 All | ○ | Change the target for reporting errors. Errors can either be reported in all locations, or only on the central remote controller. |
| | | 01 Display only on central remote controller | | |
| Fan setting when cooling thermostat OFF | 49 | 00 Follow the setting on the remote controller | ○ | When set to 01, the fan stops when the thermostat is OFF in cooling operation. Connection of the wired remote controller (2-wire type or 3-wire type) and switching its thermistor are necessary. |
| | | 01 Stop | | |
| Switching function for external inputs | 60 | 00 Forced thermostat off | ○ | Setting is required when connecting a refrigerant-leak detecting device. (only for J-III L series) |
| | | 01 | | |
| | | 02 | | |
| | | 03 | | |
| | | 04 (Prohibited) | | |
| | | 05 | | |
| | | 06 | | |
| | | 07 | | |
| | | 08 | | |
| | | 09 Refrigerant leak detection | | |
| (Prohibited) | 61 | 00 | ○ | |
| (Prohibited) | 62 | 00 | ○ | |
| Auto mode type | 68 | 00 Single set-point auto mode (traditional) | ○ | Switch the setting method of auto mode to single or dual (cooling/heating). For heat pump systems, it is necessary to set the master indoor unit (by wired remote controller). |
| | | 01 Dual set-point auto mode | | |
| Deadband value | 69 | 00 0°C | ○ | Choose the minimum temperature between cooling and heating settings (deadband) for Dual setpoint auto mode (set in No. 68). |
| | | 01 0.5°C | | |
| | | 02 1.0°C | | |
| | | 03 1.5°C | | |
| | | 04 2.0°C | | |
| | | 05 2.5°C | | |
| | | 06 3.0°C | | |
| | | 07 3.5°C | | |
| | | 08 4.0°C | | |
| | | 09 4.5°C | | |
| (Prohibited) | 70 | 00 | ○ | |
| (Prohibited) | 72 | 00 | ○ | |
| (Prohibited) | 73 | 00 | ○ | |
| (Prohibited) | 74 | 00 | ○ | |
| (Prohibited) | 75 | 00 | ○ | |

7.3.1 Indoor unit indicator lamps



7.3.2 Checking the function settings

Press and hold the "MANUAL AUTO" button on the indoor unit for 3 seconds to check the function settings. It is necessary to disconnect the power in order to return to normal operation mode.

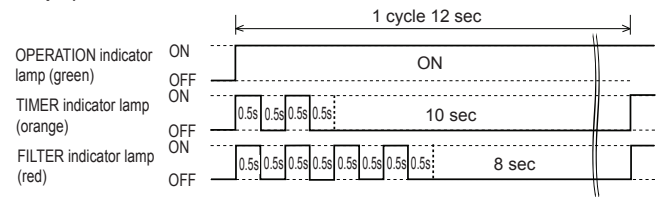
(1) Indoor unit and refrigerant address indication

Indication pattern

| Indicator name | Indication pattern | |
|----------------------------------|--|--------------------------|
| | Indoor unit address | Refrigerant address |
| OPERATION indicator lamp (green) | ON | Flash (1.0s ON/1.0s OFF) |
| TIMER indicator lamp (orange) | Address: tens place (0.5s ON/0.5s OFF) | |
| FILTER indicator lamp (red) | Address: ones place (0.5s ON/0.5s OFF) | |

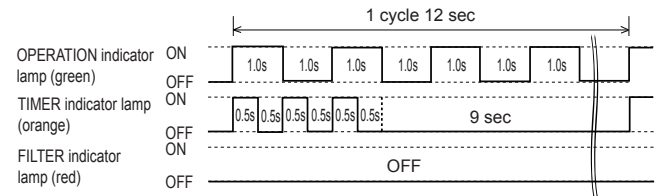
• Indoor unit address example

(Example) ADDRESS : 24



• Refrigerant address example

(Example) ADDRESS : 30



• Setting details

| Function number | Item | Setting number |
|-----------------|-----------------------|----------------|
| 01 | Indoor unit address | 00 to 63 |
| 02 | Refrigeration address | 00 to 99 |

For use with a remote controller, set all rotary switches to 0, and refer to "7.1. Setting the address" for details.

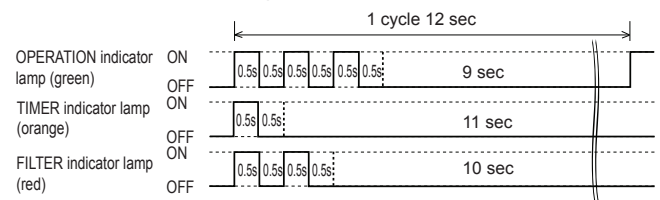
All switches are set to 0 at the factory.

(2) Others

Indication pattern

| Indicator Name | Indication pattern |
|----------------------------------|--|
| OPERATION indicator lamp (Green) | Function number; tens place (0.5s ON/0.5s OFF) |
| TIMER indicator lamp (Orange) | Function number; ones place (0.5s ON/0.5s OFF) |
| FILTER indicator lamp (Red) | Setting number: (0 to 9) (0.5s ON/0.5s OFF) |

(Example) Function : 31, Setting number : 2



8. TEST RUN

8.1. Test run using the outdoor unit (PCB)

Refer to the installation manual for the outdoor unit if the PCB for the outdoor unit is to be used for the test run.

8.2. Test run using the remote controller

- Refer to the installation manual for the remote controller to perform the test run using the remote controller.
- When the air conditioner is being test run, the OPERATION and TIMER indicator lamp flash slowly at the same time.

9. CHECK LIST

Pay special attention to the check items below when installing the indoor unit(s). After installation is complete, be sure to check the following check items again.

| Check items | If not performed correctly | Check box |
|--|--|-----------|
| Has the indoor unit been installed correctly? | Vibration, noise, indoor unit may drop | |
| Has there been a check for gas leaks (refrigerant pipes)? | No cooling, No heating | |
| Has heat insulation work been completed? | Water leakage | |
| Does water drain easily from the indoor units? | Water leakage | |
| Is the voltage of the power source the same as that indicated on the label on the indoor unit? | No operation, heat or burn damage | |
| Are the wires and pipes all connected completely? | No operation, heat or burn damage | |
| Is the indoor unit earthed (grounded)? | Short circuit | |
| Is the connection cable the specified thickness? | No operation, heat or burn damage | |
| Are the inlets and outlets free of any obstacles? | No cooling, No heating | |
| Does start and stop air conditioner operation by remote controller or external device? | No operation | |
| After installation is completed, has the proper operation and handling been explained to the user? | _____ | |

10. ERROR CODES

If you use a wired type remote controller, error codes will appear on the remote controller display. If you use a wireless remote controller, the lamp on the photodetector unit will output error codes by way of blinking patterns. See the lamp blinking patterns and error codes in the table below.

| Error indications | | | Wired remote controller error code | Error contents |
|------------------------|---------------------|-------------------|------------------------------------|---|
| OPERATION lamp (green) | TIMER lamp (orange) | FILTER lamp (red) | | |
| ● (1) | ● (2) | ◇ | 12 | Remote controller communication error |
| ● (1) | ● (4) | ◇ | 14 | Network communication error |
| ● (1) | ● (6) | ◇ | 16 | Peripheral unit communication error |
| ● (2) | ● (6) | ◇ | 26 | Indoor unit address setting error |
| ● (2) | ● (9) | ◇ | 29 | Connection unit number error in wired remote controller system |
| ● (3) | ● (1) | ◇ | 31 | Indoor unit power supply abnormal |
| ● (3) | ● (2) | ◇ | 32 | Indoor unit main PCB error |
| ● (3) | ● (10) | ◇ | 3A | Indoor unit communication circuit (wired remote controller) error |
| ● (4) | ● (1) | ◇ | 41 | Indoor unit room temp. thermistor error |
| ● (4) | ● (2) | ◇ | 42 | Indoor unit heat ex. temp. thermistor error |
| ● (5) | ● (1) | ◇ | 51 | Indoor unit fan motor 1 error |
| ● (5) | ● (2) | ◇ | 52 | Indoor unit coil (expansion valve) error |
| ● (5) | ● (3) | ◇ | 53 | Indoor unit water drain abnormal |
| ● (5) | ● (7) | ◇ | 57 | Indoor unit damper error |
| ● (9) | ● (15) | ◇ | 9U | Outdoor unit miscellaneous error |
| ● (10) | ● (8) | ◇ | AB | Poor refrigerant circulation |
| ● (13) | ● (1) | ◇ | J1 | RB unit error |

Display mode ● : 0.5 s ON / 0.5 s OFF
 ◇ : 0.1 s ON / 0.1 s OFF
 () : Number of flashing

Wired Remote Controller Display

UTY-RNR*Z* (2-wire type)

Touch the [Error Information].

Touch the [Next Page] (or [previous page]) to switch to other indoor unit information.

2-digit numbers are corresponding to the error code in the preceding table.

Error Code [14, 16]

For more information, refer to the installation manual of the remote controller.

UTY-RLR* (2-wire type)

Error code

For more information, refer to the installation manual of the remote controller.