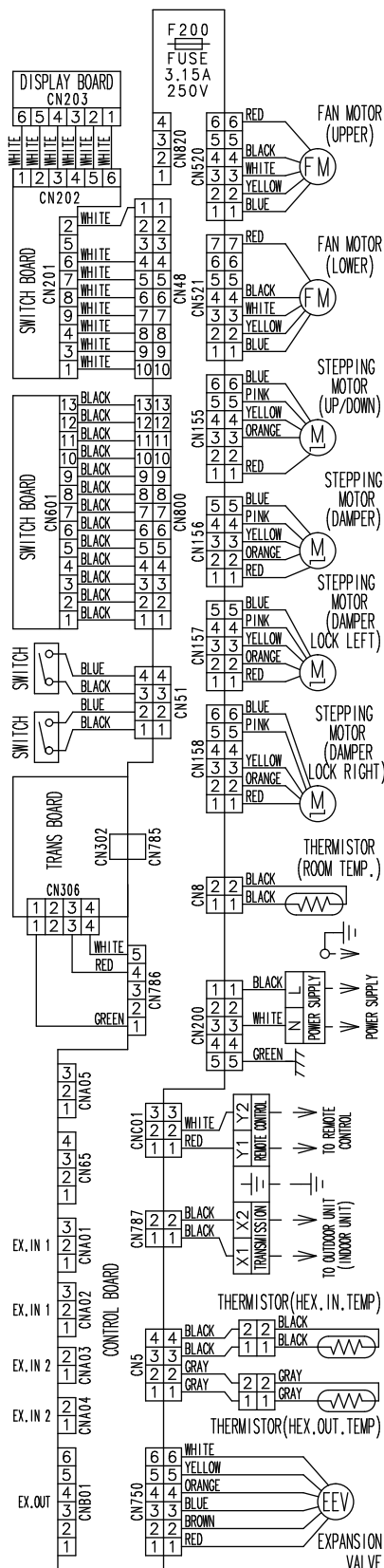


5-11. Compact floor type

■ Models: AG*A004GCGH, AG*A007GCGH, AG*A009GCGH, AG*A012GCGH, and AG*A014GCGH



INDOOR UNITS

INDOOR UNITS