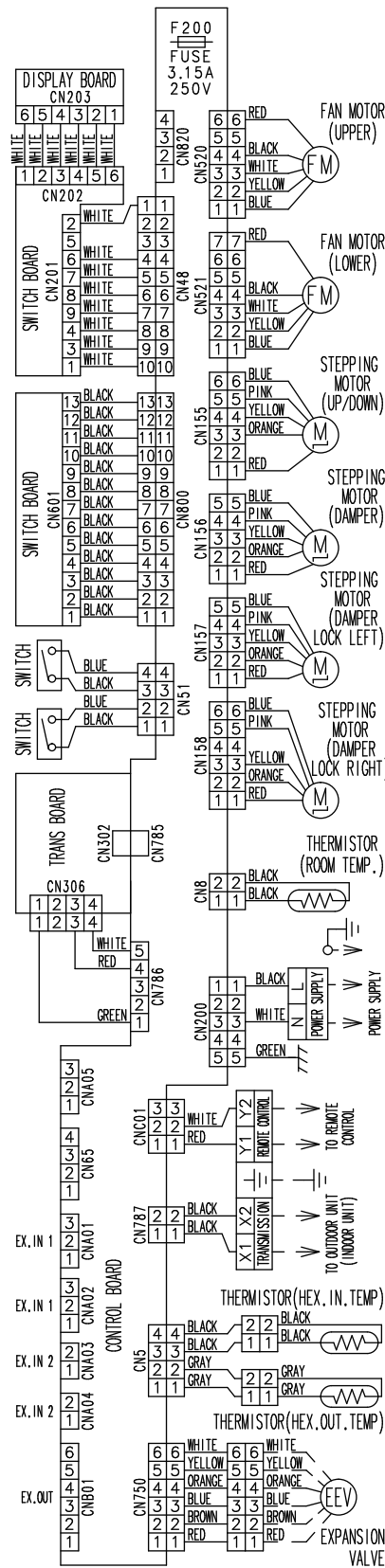


## 5-12. Compact floor type (EEV external model)

■ Models: AG\*E004GCEH, AG\*E007GCEH, AG\*E009GCEH, AG\*E012GCEH, and AG\*E014GCEH



INDOOR UNITS

INDOOR UNITS