

AGYE012GCEH

Please visit our webstore for full product and technical documentation 

Unit Type	Compact Floor (External EEV)
Remote Controller	Option
Nominal Cooling Capacity (kW)	3.6
UK Total Cooling Capacity (kW)	2.7
UK Sensible Cooling Capacity (kW)	2.3
Nominal Heating Capacity (kW)	3.8
UK Heating Capacity (kW)	4.0
Height (mm)	600
Width (mm)	740
Depth (mm)	200
Weight (kg)	14.5
Airflow Rate - Cooling - High (m3/h)	590
Sound Pressure Level - Cooling - High (dB(A))	42
Sound Pressure Level - Cooling - Low (dB(A))	33
Refrigerant Type (Global Warming Potential)	R410A (2,088)
Liquid Pipe Size	1/4"
Gas Pipe Size	1/2"
Unit Power Supply	1Ph-230V-50Hz



Document Downloads

[Air Distribution](#)

[Airflow](#)

[Cooling Capacity](#)

[Dimensional Drawing](#)

[Electrical Characteristics](#)

[Heating Capacity](#)

[Installation Manual](#)

[Noise Curve](#)

[Operation Manual](#)

[Product Image](#)

[Spare Parts List All Pages](#)

[Specifications](#)

[Wiring Diagram](#)

Related Items

[UTREV09XB](#)

[UTYRNRYZ5](#)

[UTYRCRYZ1](#)

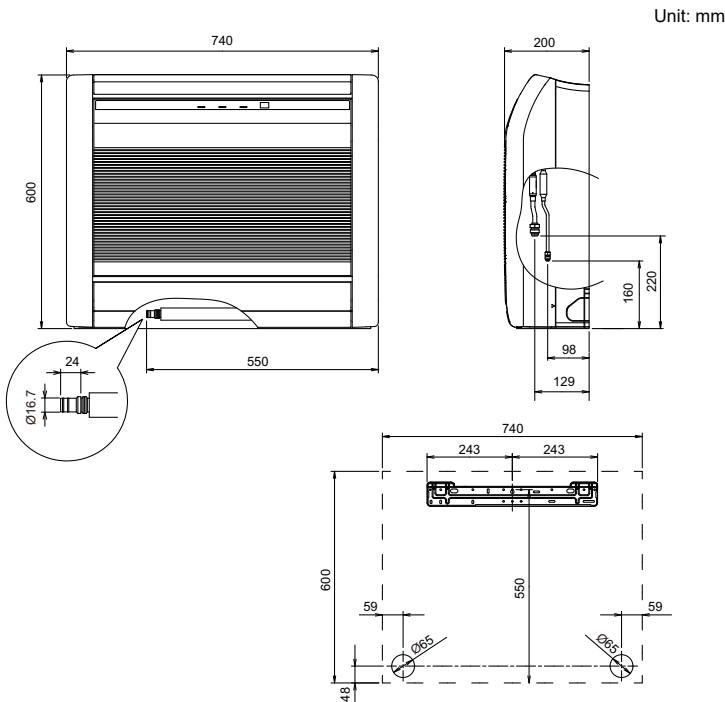
[UTYRSRY](#)

[UTYRHHY](#)

[UTYLNHY](#)

[UTYFSSXZ1](#)

- VRF Expansion Valve Kit, size 4 to 9 indoor units
- Touch Screen Remote Controller
- Compact Simple Remote controller
- Simple Remote Controller (with Master Control)
- Simple Remote Controller (without Master Control)
- Wireless Remote Controller
- Wireless LAN interface



*Specifications and design are subject to change without notice for further improvement.

*Actual products' colors may be different from the colors shown in this printed material.