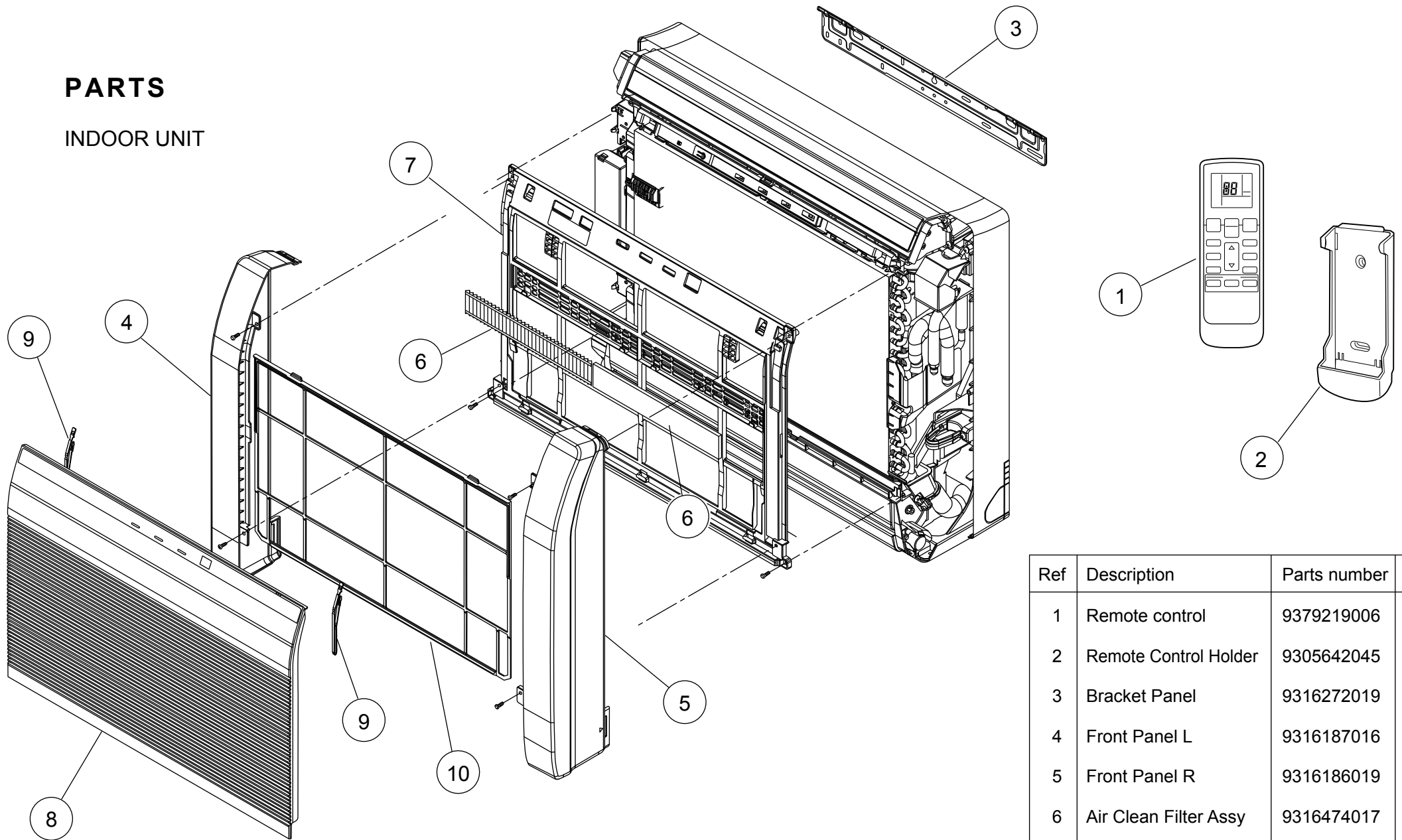


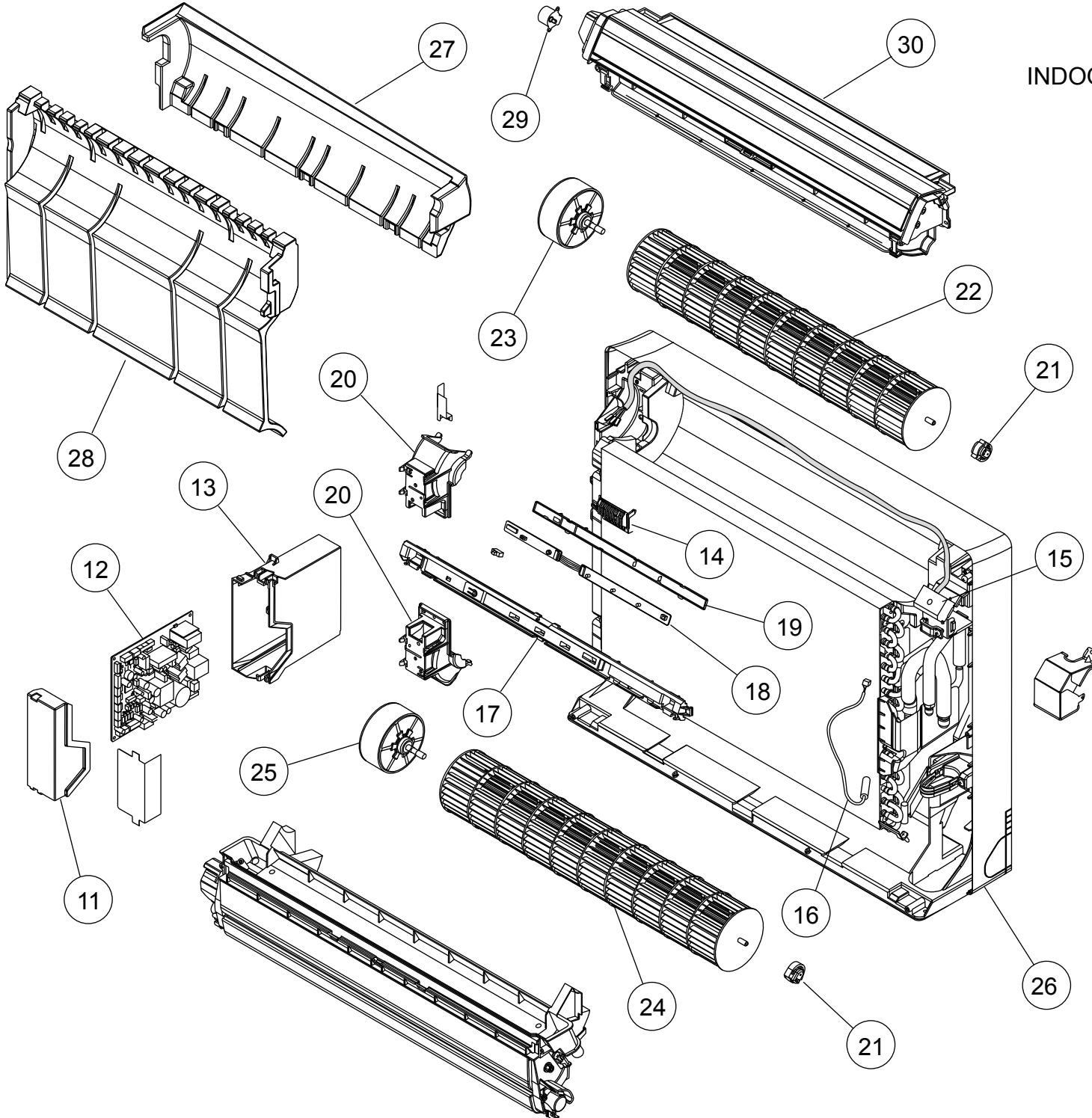
# PARTS

## INDOOR UNIT



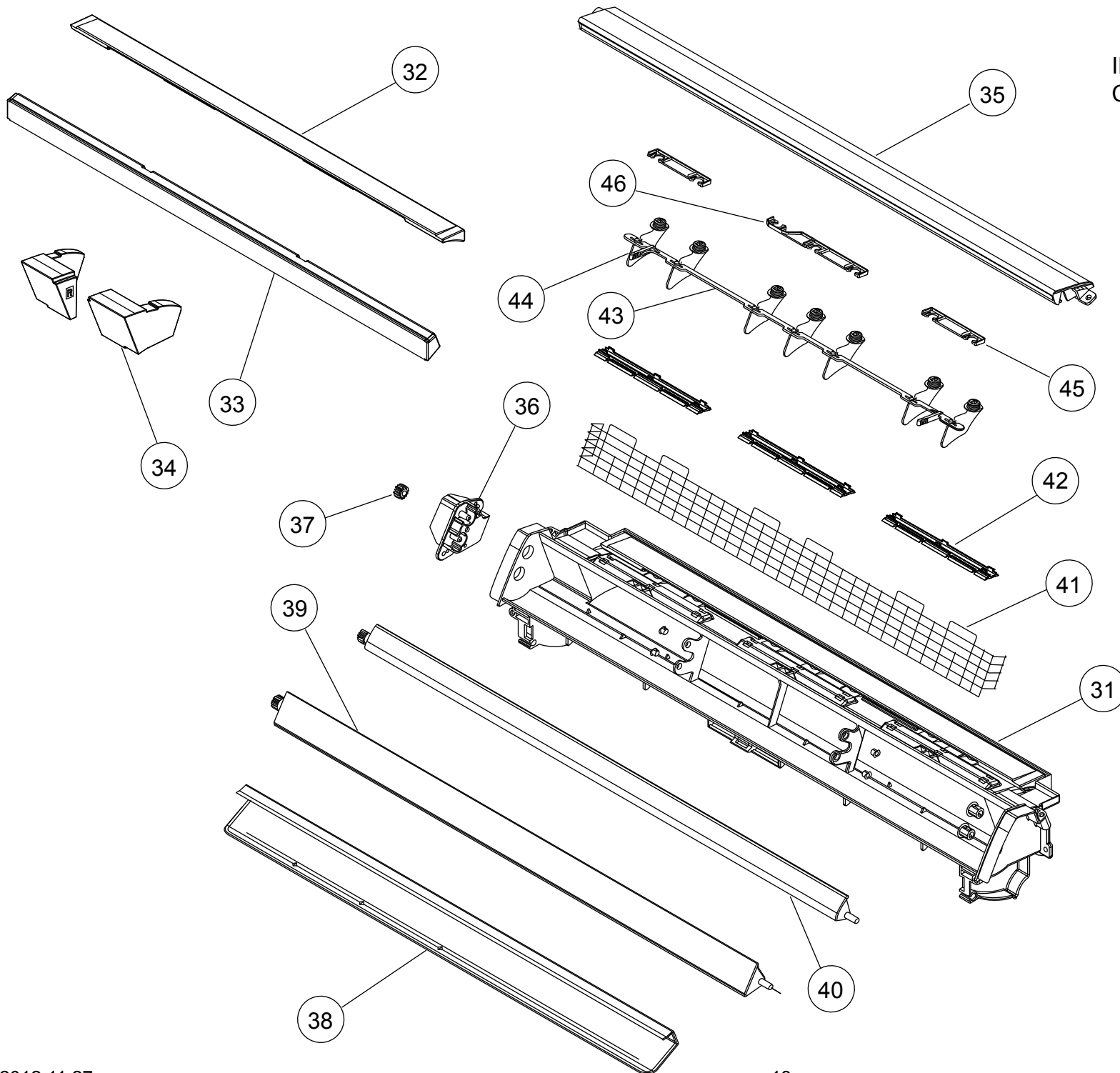
Ref	Description	Parts number
1	Remote control	9379219006
2	Remote Control Holder	9305642045
3	Bracket Panel	9316272019
4	Front Panel L	9316187016
5	Front Panel R	9316186019
6	Air Clean Filter Assy	9316474017
7	Front Panel	9316185012
8	Intake Grille Assy	9316418059
9	Rope Assy	9316458017
10	Air Filter	9316189010

INDOOR UNIT

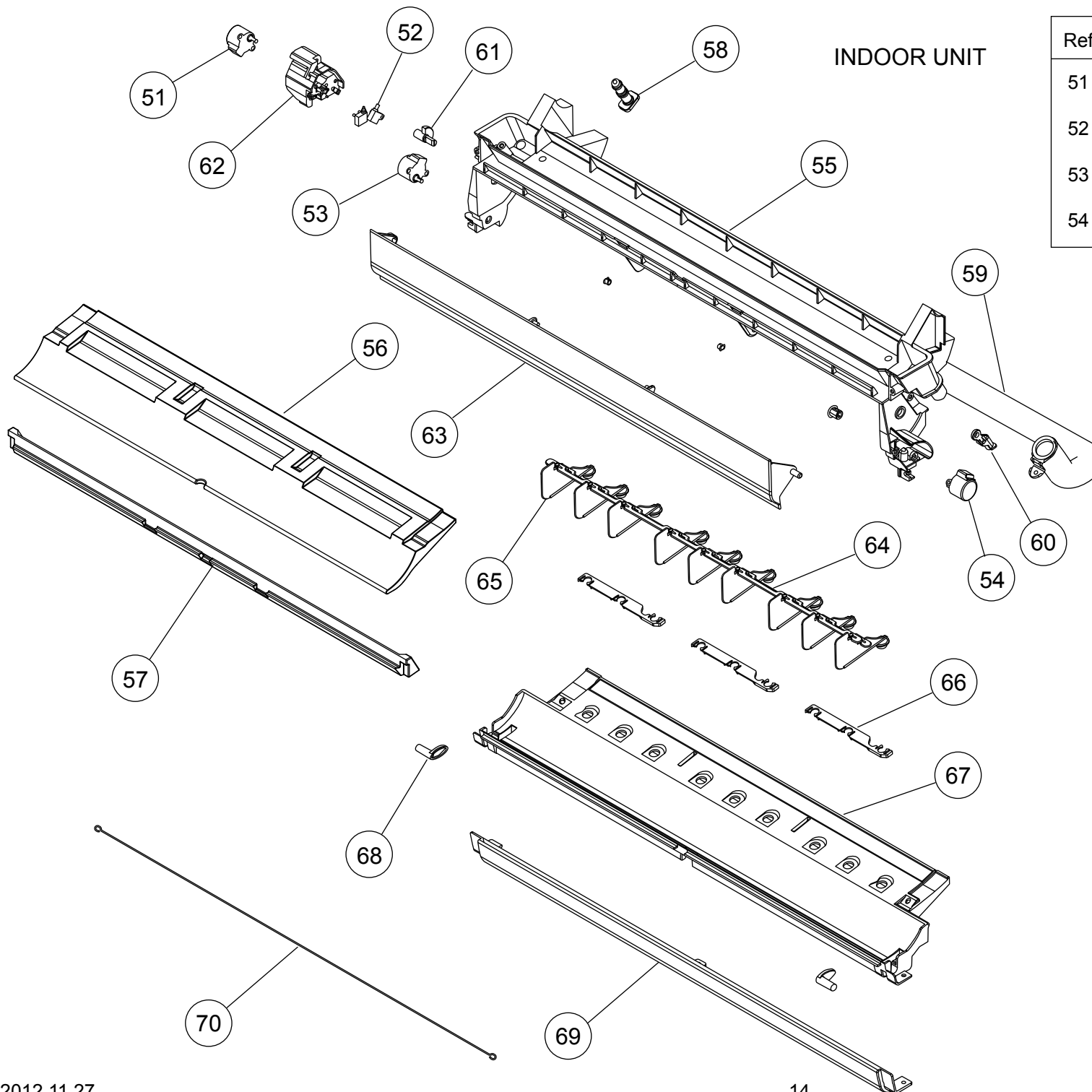


Ref	Description	Parts number
11	Control Cover	9316201019
12	Main PCB (09)	9708532073
12	Main PCB (12)	9708532080
13	Control Box	9316200012
14	Thermistor Holder	9316192010
15	Terminal	9900385026
16	Pipe Thermistor	9900425012
17	Display Case	9316194014
18	Indicator PCB	9707571042
19	Display Cover	9316191013
20	Motor Holder	9316195011
21	Bearing C Assy	9306628017
22	Crossflow Fan Assy	9312004034
23	Fan Motor, MFD-14TXN	9602850006
24	Crossflow Fan B Assy	9316309012
25	Fan Motor, MFD-14SXX	9602851003
26	Base	9316193017
27	Base Cover A	9316197015
28	Base Cover B	9316373013
29	Step Motor (Up / down)	9900384043
30	Casing Assy	9316411012

INDOOR UNIT  
Casing assy



Ref	Description	Parts number
31	Casing	9316204010
32	Casing Cover B	9316273016
33	Casing Cover F	9316308015
34	Casing Cover LR	9316310018
35	Top Cover	9316207011
36	Gear Case	9316213012
37	Gear A	9309994003
38	Reinforcement	9316378018
39	Louver Z (Lower)	9316206014
40	Louver U (Upper)	9316205017
41	Fan Guard	9316211018
42	Guard Holder	9316210011
43	Joint U	9316209015
44	R and L Louver U	9316208018
45	Spacer C	9315281012
46	Spacer D	9315282019



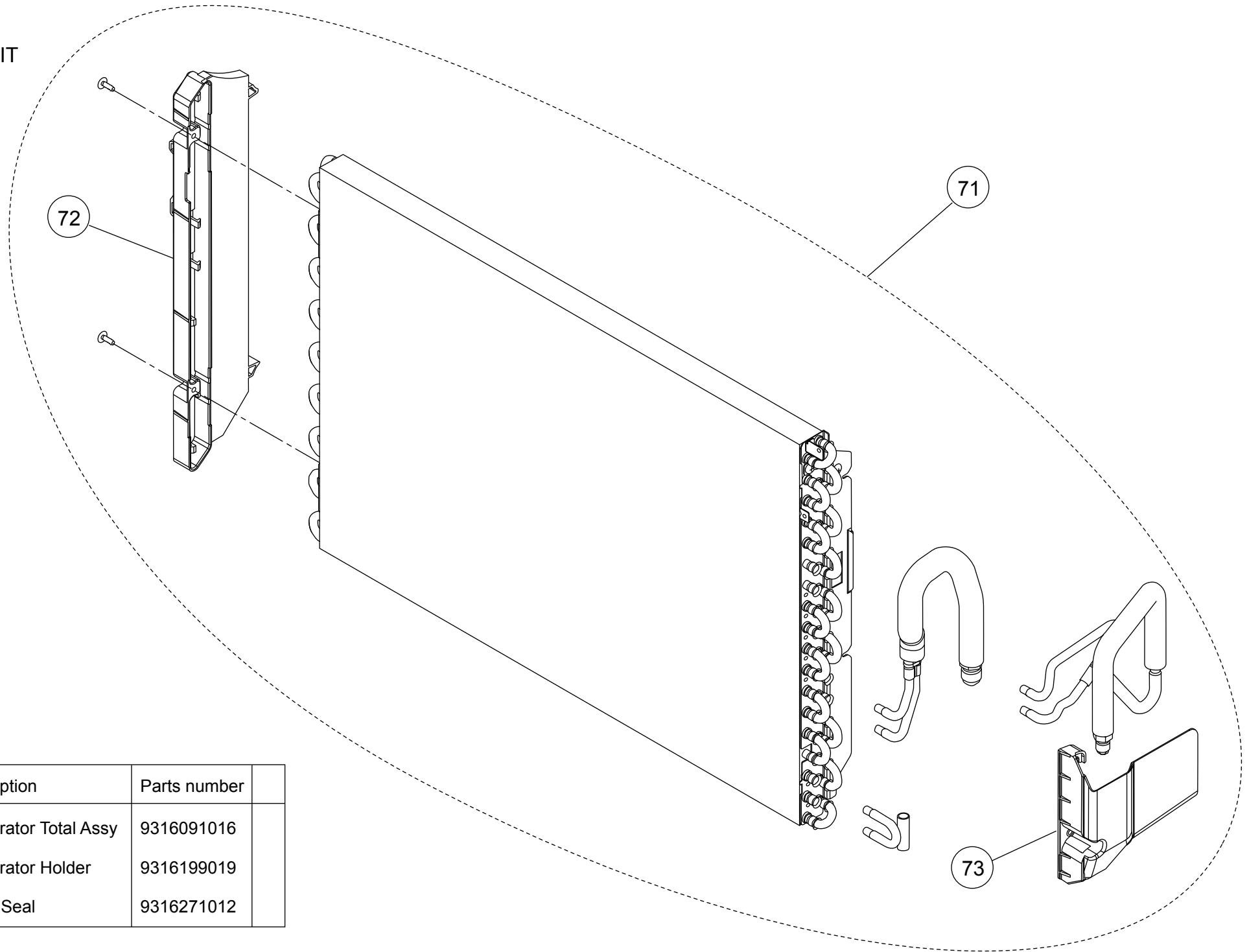
### INDOOR UNIT

Ref	Description	Parts number
51	Motor Step (Damper)	9900384050
52	Micro Switch (Limit Switch)	9900424015
53	Motor Step (Damper Lock Left)	9900384067
54	Step Motor (Damper Lock Right)	9900384074

### Drain Pan Assy

Ref	Description	Parts number
--	Drain Pan Assy	9316412019
55	Drain Pan U	9316214019
56	Drain Pan Cover B	9316386013
57	Drain Pan Cover F	9316274013
58	Drain Cap	9316177017
59	Drain Hose Assy	9314147029
60	Drain Holder	9316384019
61	Key Top	9316218017
62	Limit Switch Cover	9316217010
63	Damper	9316216013
64	Joint Z	9316335011
65	R and L Louver Z	9316334014
66	Spacer D	9315282019
67	Drain Pan Z	9316215016
68	Stopper	9316219014
69	Under Cover	9316374010
70	Fan Guard Z	9316918009

INDOOR UNIT



Ref	Description	Parts number
71	Evaporator Total Assy	9316091016
72	Evaporator Holder	9316199019
73	Water Seal	9316271012