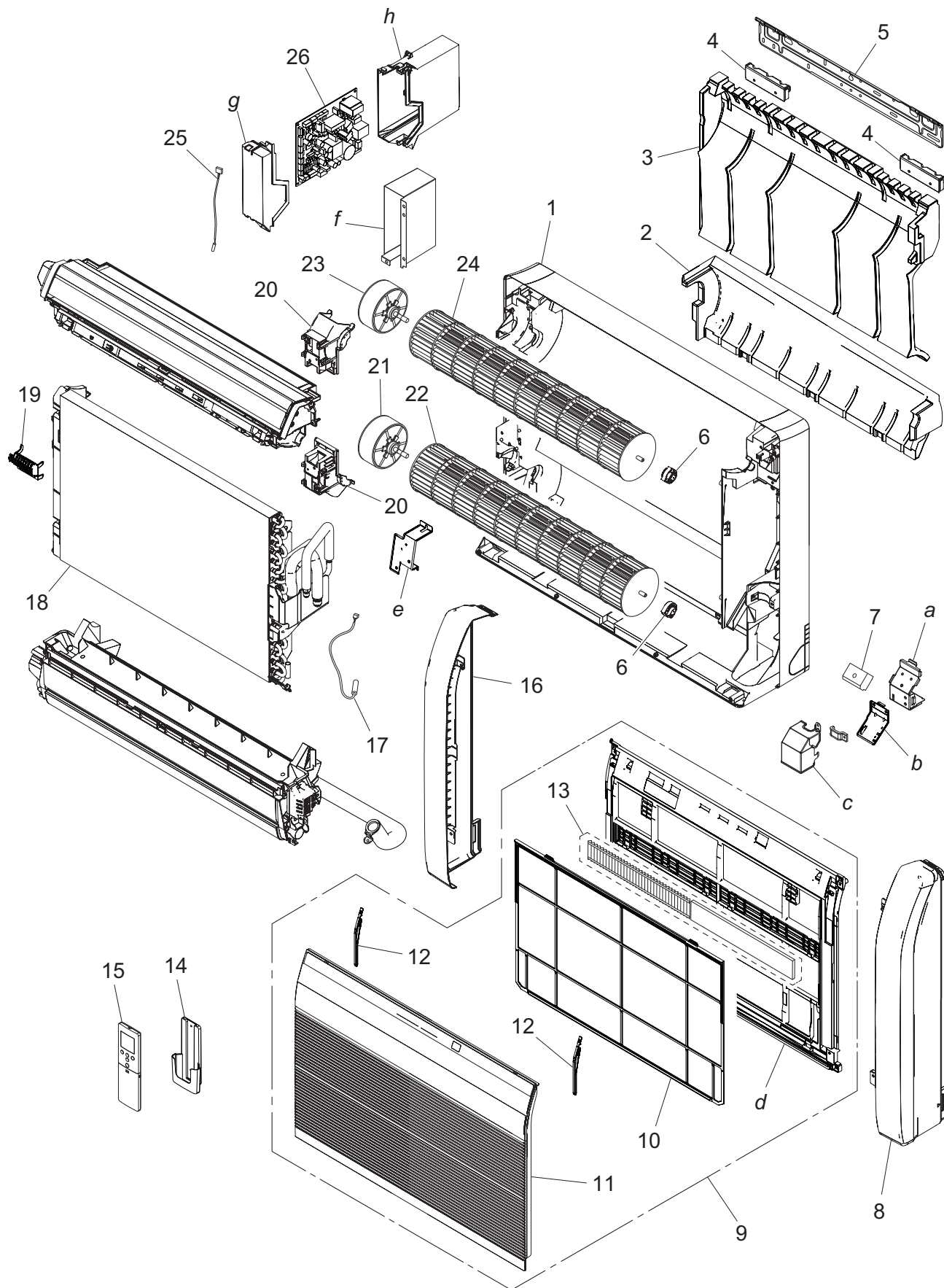


2. Indoor unit parts list

2-1. Models: AGYG09KVCA, AGYG12KVCA, and AGYG14KVCA

■ Exterior parts and chassis



TECHNICAL DATA
AND PARTS LIST

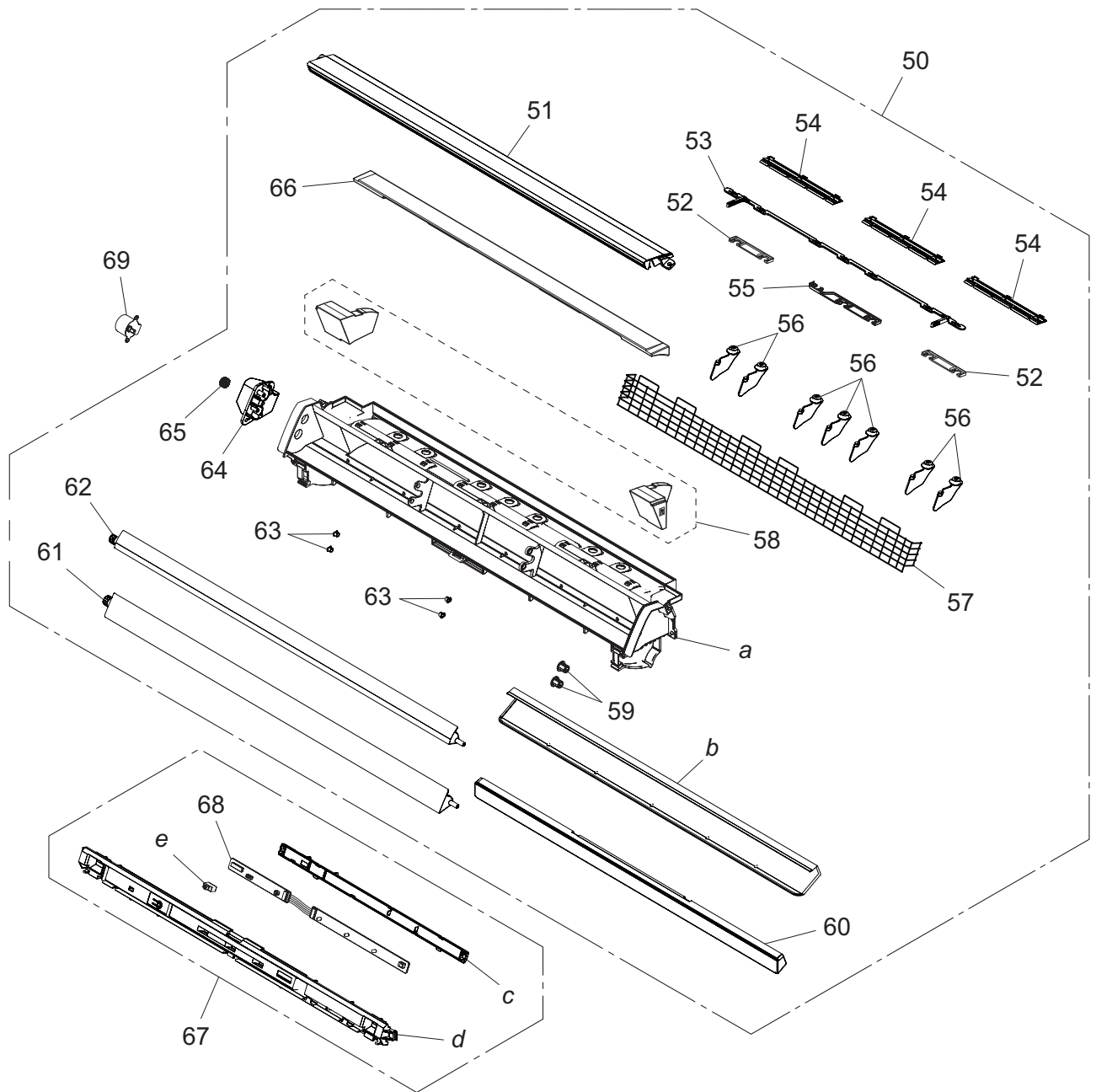
TECHNICAL DATA
AND PARTS LIST

Item no.	Part no.	Part name	Service part
1	9316193024	Base	◆
2	9316197015	Base cover A	◆
3	9316373013	Base cover B	◆
4	9316405011	Base bracket	◆
5	9316272019	Bracket panel	◆
6	9306628024	Bearing C assy	◆
7	9900720087	Terminal (3P)	◆
8	9316186019	Front panel R	◆
9	9316415164	Front panel total assy	◆
10	9316189027	Air filter	◆
11	9316418059	Intake grille assy	◆
12	9316458017	Rope assy	◆
13	9316474017	Air clean filter assy	◆
14	9318912005	Remote controller holder	◆
15	9332438864	Remote controller	◆
16	9316187016	Front panel L	◆
17	9900991005	Pipe thermistor	◆
18	9316091269	Evaporator total assy	◆
19	9316192027	Thermistor holder	◆
20	9316195011	Motor holder	◆
21	9602851003	Fan motor (MFD-14SXN)	◆
22	9316309012	Crossflow fan B assy	◆
23	9602850006	Fan motor (MFD-14TXN)	◆
24	9312004034	Crossflow fan assy	◆
25	9900975067	Room thermistor	◆
26	9711694065	Main PCB (09 model)	◆
	9711694072	Main PCB (12 model)	◆
	9711694089	Main PCB (14 model)	◆
<i>a</i>	—	Terminal bracket	—
<i>b</i>	—	Cable bracket	—
<i>c</i>	—	Terminal cover	—
<i>d</i>	—	Front panel	—
<i>e</i>	—	Terminal bracket (COM)	—
<i>f</i>	—	Control box shield	—
<i>g</i>	—	Control box cover	—
<i>h</i>	—	Control box	—

■ Casing

TECHNICAL DATA
AND PARTS LIST

TECHNICAL DATA
AND PARTS LIST

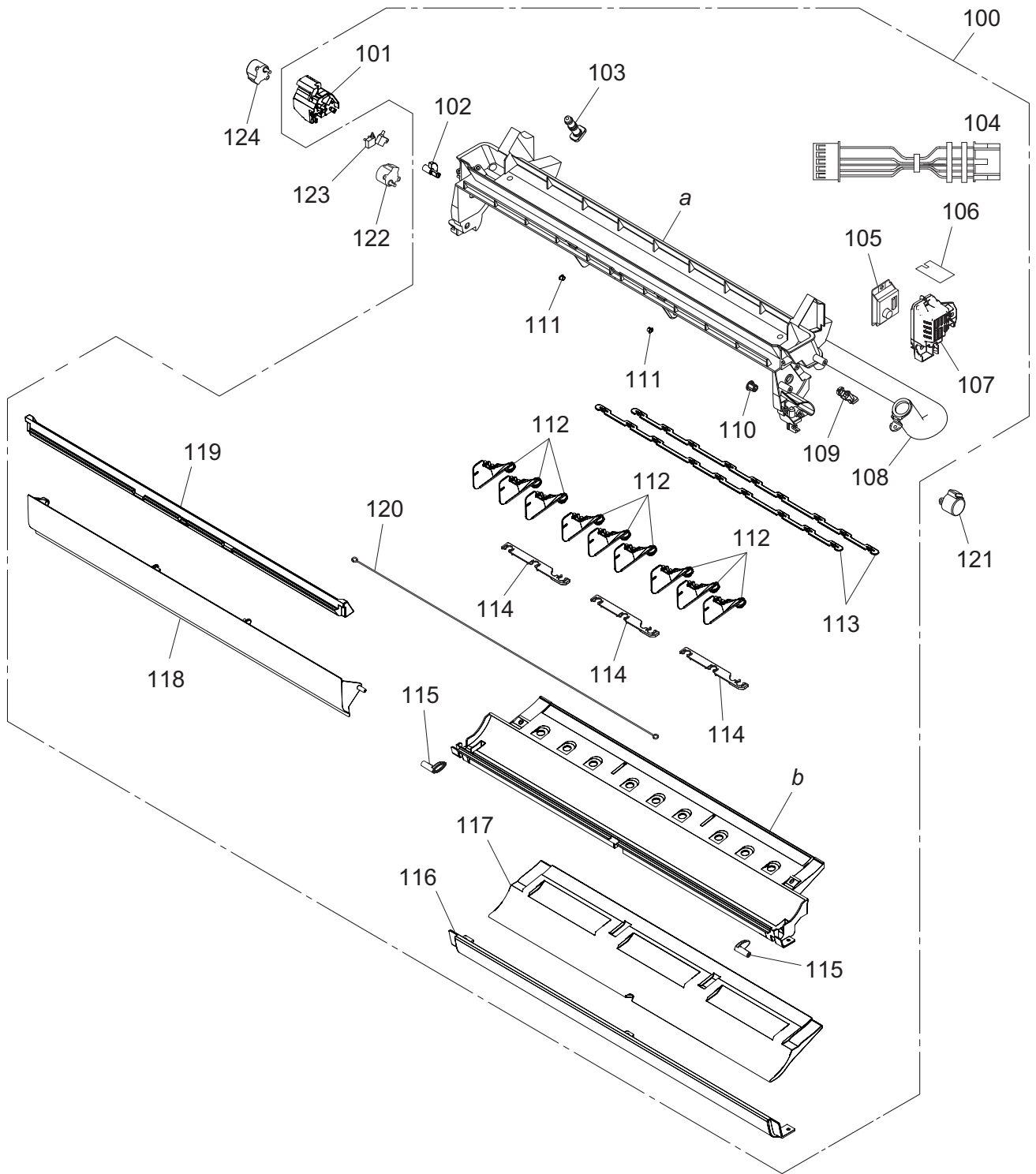


Item no.	Part no.	Part name	Service part
50	9316411012	Casing assy	◆
51	9316207011	Top cover	◆
52	9315281012	Spacer C	◆
53	9316209015	Joint U	◆
54	9316210011	Guard holder	◆
55	9315282019	Spacer D	◆
56	9316208018	L and R louver U	◆
57	9316211018	Fan guard	◆
58	9316310018	Casing cover L and R	◆
59	9303529010	Bushing B	◆
60	9316308015	Casing cover F	◆
61	9316206014	Louver Z	◆
62	9316205017	Louver U	◆
63	9303529010	Bushing A	◆
64	9316213012	Gear case	◆
65	9309994003	Gear A	◆
66	9316273016	Casing cover B	◆
67	9711714008	Display assy	◆
68	9711696007	Indicator PCB	◆
—	9707580020	Wire with connector (P1002 on Indicator PCB—P360 on Main PCB)	◆
—	9707581010	Wire with connector (White) (P1001 on Indicator PCB—P1000 on Indicator PCB)	◆
69	9900384043	Step motor (Up/Down)	◆
<i>a</i>	—	Casing	—
<i>b</i>	—	Casing reinforcement	—
<i>c</i>	—	Display cover	—
<i>d</i>	—	Display case	—
<i>e</i>	—	Switch cover	—

■ Drain pan

TECHNICAL DATA
AND PARTS LIST

TECHNICAL DATA
AND PARTS LIST



Item no.	Part no.	Part name	Service part
100	9316412057	Drain pan assy	◆
101	9316217010	Limit switch cover	◆
102	9316218017	Key top	◆
103	9316177017	Drain cap	◆
104	9711683007	Wire with connector (Refrigerant leak detect sensor—P410 on Main PCB)	◆
105	9901089008	Refrigerant leak detect sensor	◆
106	9384838001	Sensor cover seal	◆
107	9384709004	Sensor cover	◆
108	9314147029	Drain hose assy	◆
109	9316384019	Drain hose holder	◆
110	9312156016	Bushing B	◆
111	9303529010	Bushing A	◆
112	9316334014	L and R louver Z	◆
113	9316335011	Joint Z	◆
114	9315282019	Spacer D	◆
115	9316219014	Stopper	◆
116	9316374010	Lower cover	◆
117	9316386013	Drain pan cover B	◆
118	9316216013	Damper	◆
119	9316274013	Drain pan cover F	◆
120	9316918009	Fan guard Z	◆
121	9900384074	Step motor (Damper lock R)	◆
122	9900384067	Step motor (Damper lock L)	◆
123	9900424015	Micro switch (Limit)	◆
124	9900384050	Step motor (Damper)	◆
<i>a</i>	—	Drain pan U	—
<i>b</i>	—	Drain pan Z	—