

11. EXTERNAL INPUT & OUTPUT

| Connector | INPUT | OUTPUT | REMARKS |
|-----------|---------------|-------------------------|---|
| CN14 | Control input | - | See external input/output settings for details. |
| CN20 | - | Operation status output | |

11-1. EXTERNAL INPUT

■ CONTROL INPUT (Operation/Stop or Forced stop)

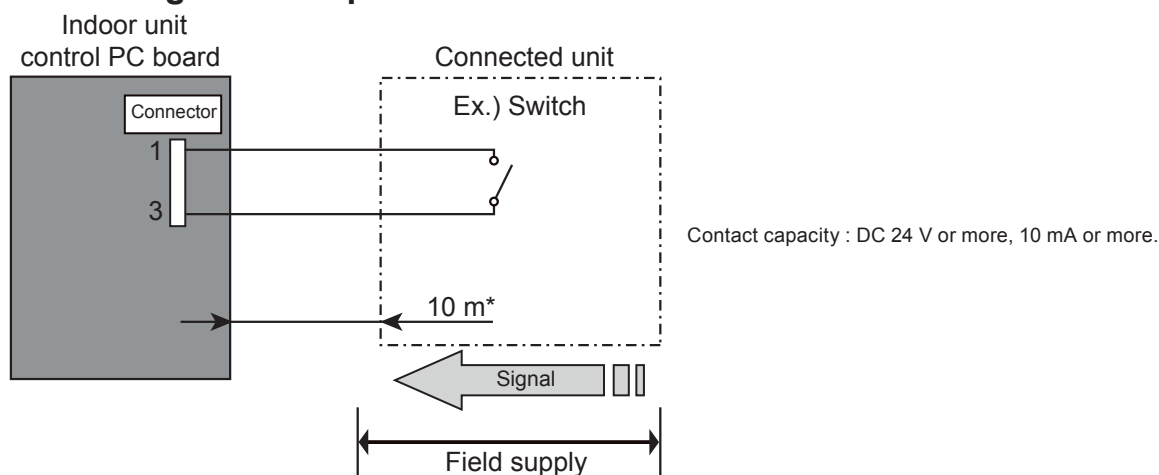
The air conditioner can be remotely operated by means of the following on-site work.

"Operation/Stop" mode or "Forced stop" mode can be selected with function setting of indoor unit.

Unit operation is started at the following contents by adding the contact input of a commercial ON/OFF switch to a connector on the external control PC board and turning it ON.

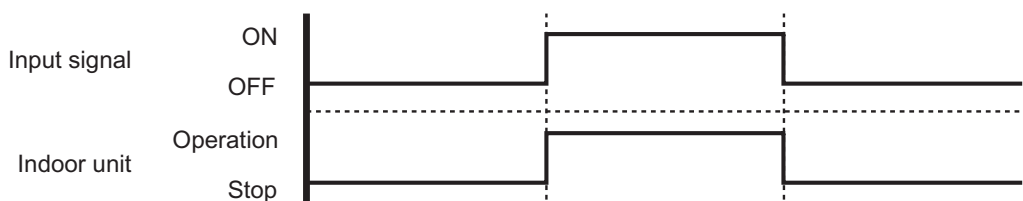
| Unit operation | Initial setting after power is ON | Starting mode other than initial setting |
|----------------------------------|------------------------------------|--|
| Operation mode | Auto changeover | Mode at previous operation |
| Set temperature | 24 °C | Temperature at previous operation |
| Airflow mode | AUTO | Mode at previous operation |
| Up-down air direction (swing) | Standard air direction (swing OFF) | Air direction at previous operation |
| Left-right air direction (swing) | Standard air direction (swing OFF) | Air direction at previous operation |

● Circuit diagram example

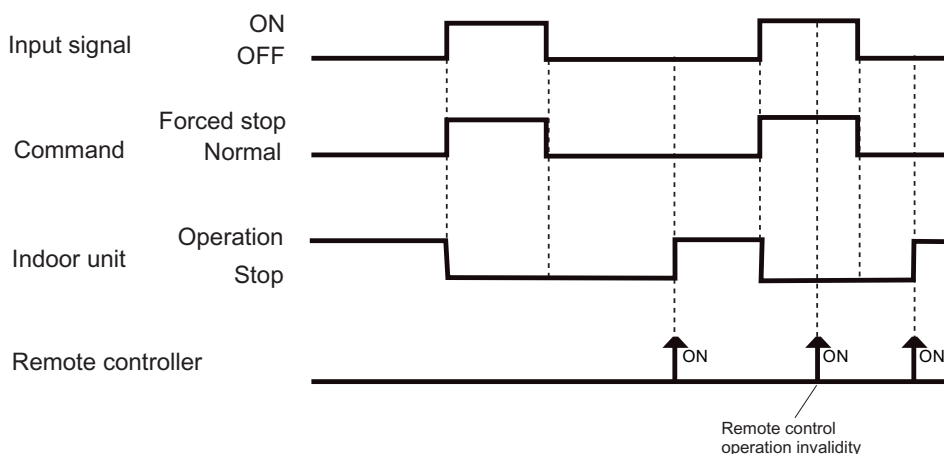


*: Make the distance from the PC board to the connected unit within 10 m.

● When function setting is "Operation/Stop" mode



● When function setting is in "Forced stop" mode



● **Parts (Optional)**

| Parts name | Model name |
|----------------------|------------|
| External connect kit | UTY-XWZX |

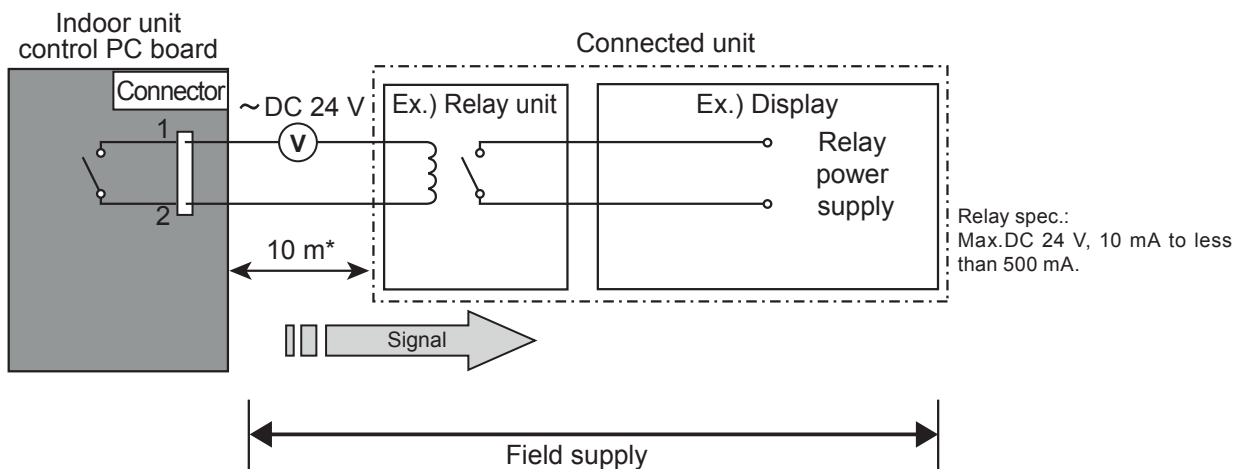


11-2. EXTERNAL OUTPUT

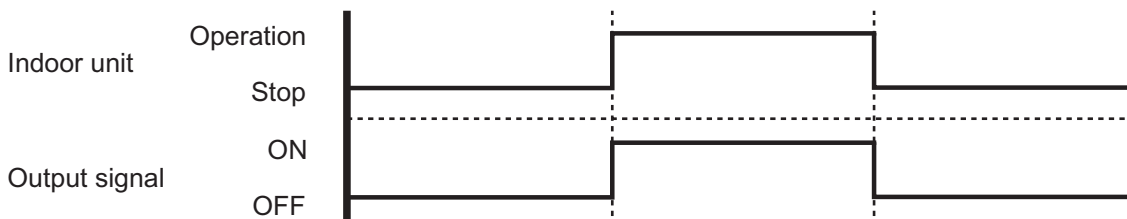
■ OPERATION STATUS OUTPUT

An air conditioner operation status signal can be output.

● Circuit diagram example



* Make the distance from the PC board to the connected unit within 10 m.



● Parts (Optional)

| Parts name | Model name |
|----------------------|------------|
| External connect kit | UTY-XWZX |

