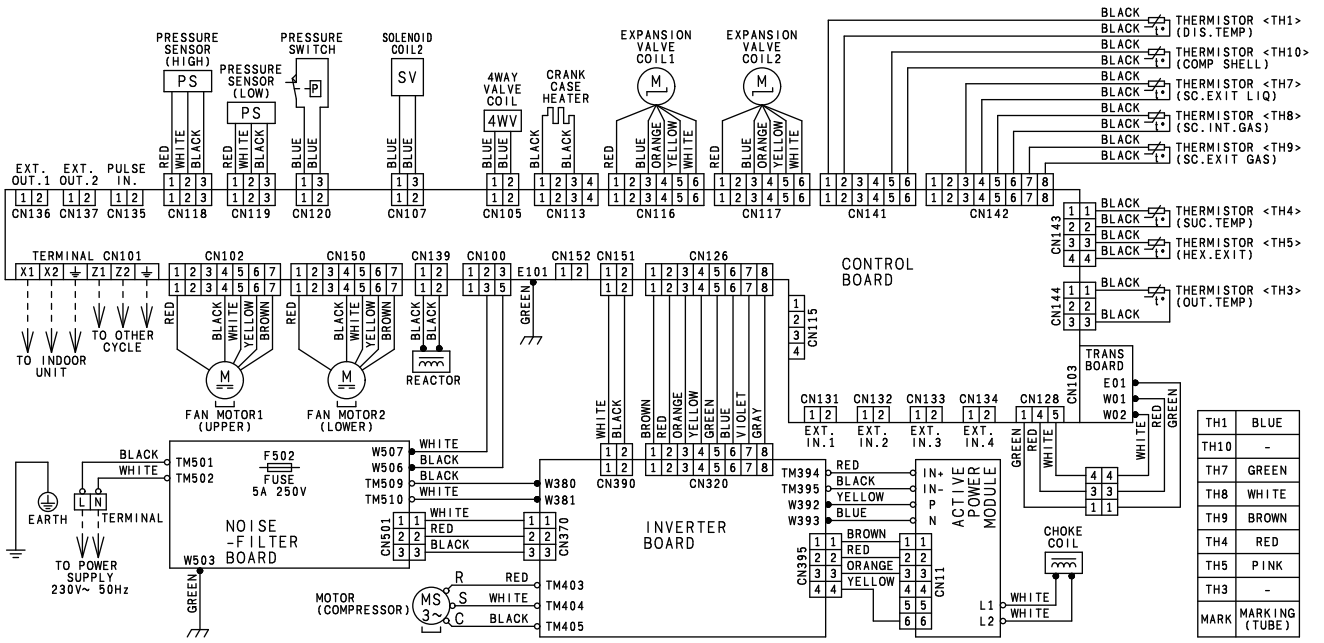


6. Wiring diagrams

6-1. Models: AJ*040LBLBH and AJ*045LBLBH

OUTDOOR
UNITS

OUTDOOR
UNITS



6-2. Model: AJ*054LBLBH

