

AJY045LBLBH

Please visit our webstore for full product and technical documentation 

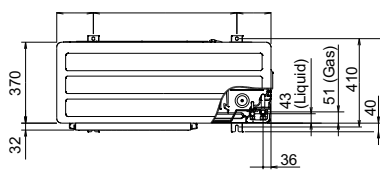
Nominal Cooling Capacity (kW)	14.0
Nominal Heating Capacity (kW)	14.0
Range	J-IV
Horse Power	5
Maximum Connectable Indoor Units	12
EER	3.92
COP (Nominal Heating)	4.71
Dimensions (H x W x D) (mm)	1334 x 970 x 370
Weight (kg)	117
Airflow Rate (Cooling - Heating) High (m3/h)	6400 - 6400
Available Static Pressure (Pa)	-
Sound Pressure Level (Cooling - Heating) High (dB(A))	51 - 55
Sound Power Level (Cooling - Heating) High (dB(A))	65 - 65
Refrigerant Type (Global Warming Potential)	R410A (2,088)
Pipe Sizes (Liquid - Gas)	3/8" - 5/8"
Total Pipe Length (m)	180
Max Height Difference (OU: Upper / Lower) (m)	50 / 40
Refrigerant Charge (kg)	5.3
Refrigerant CO2eq-T	11.1
Unit Power Supply	1Ph-230V-50Hz
Cooling Mode Operating Range (°C)	-5 to 46
Heating Mode Operating Range (°C)	-20 to 21



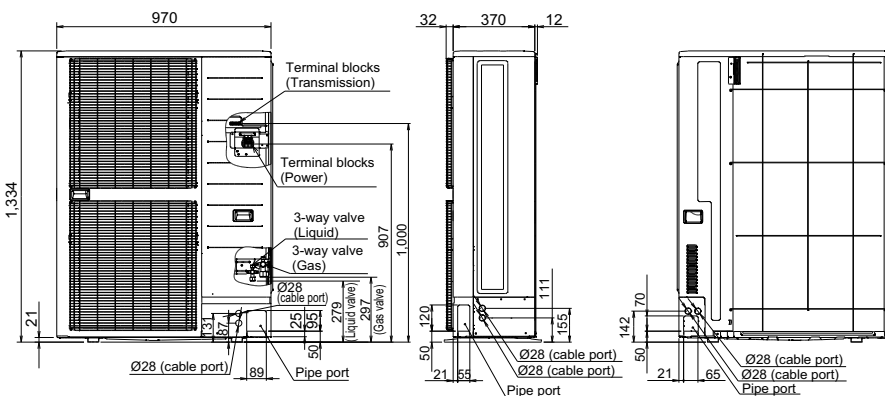
Document Downloads

- [Cooling Capacity](#)
- [Dimensional Drawing](#)
- [Electrical Characteristics](#)
- [Heating Capacity](#)
- [Installation Manual](#)
- [Installation Space](#)
- [Noise Curve](#)
- [Product Image](#)
- [Refrigerant Circuit](#)

- [Spare Parts List All Pages](#)
- [Specifications](#)
- [Wiring Diagram](#)



Top view



Front view

Side view

Rear view

Units: mm

*Specifications and design are subject to change without notice for further improvement.
 •Actual products' colors may be different from the colors shown in this printed material.