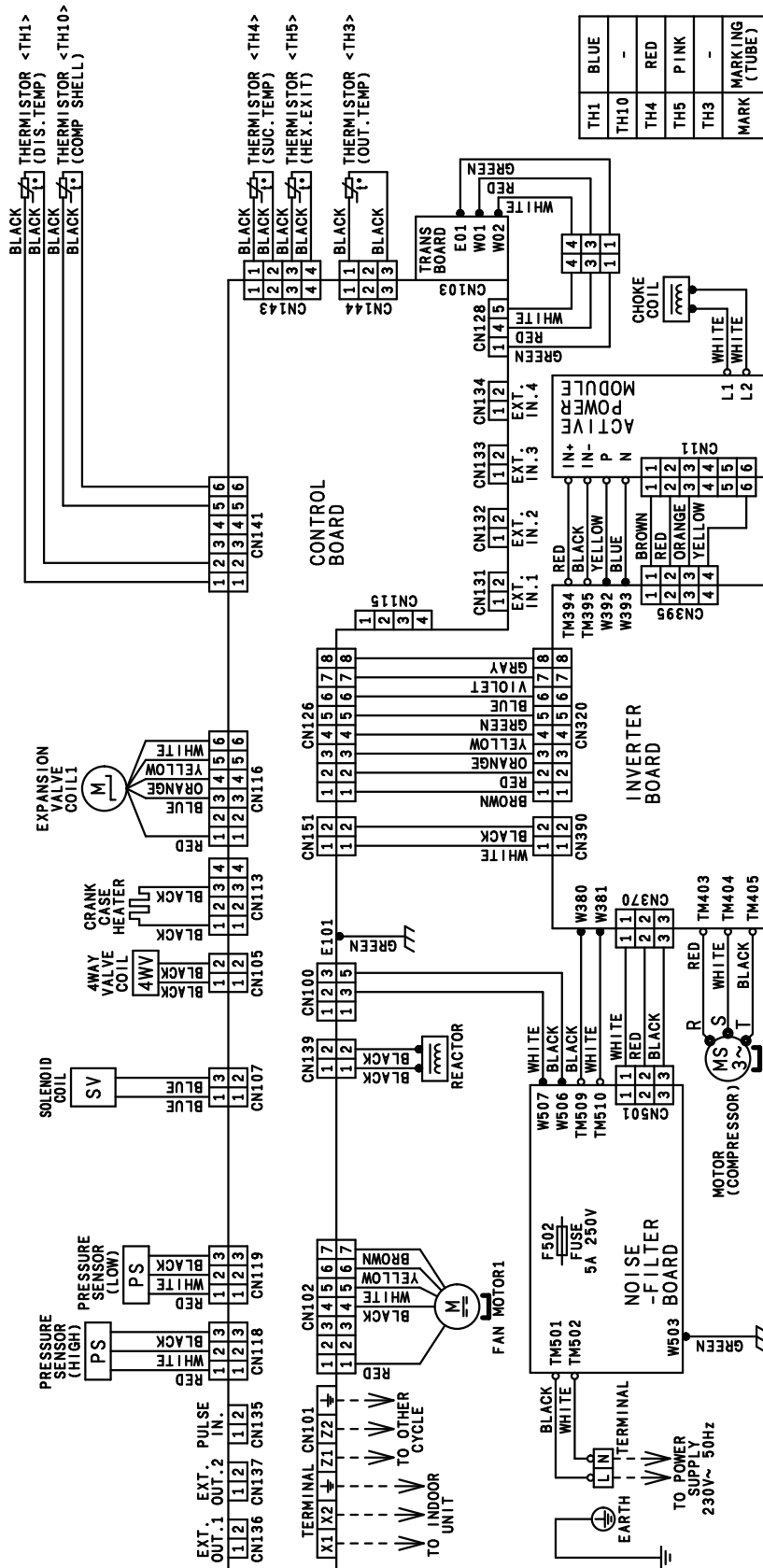


# 6. Wiring diagrams

## 6-1. Models: AJ\*040LCLBH and AJ\*045LCLBH

OUTDOOR  
UNITS



TH1	BLUE
TH10	-
TH4	RED
TH5	PINK
TH3	-
MARK	MARKING (TUBE)

OUTDOOR  
UNITS