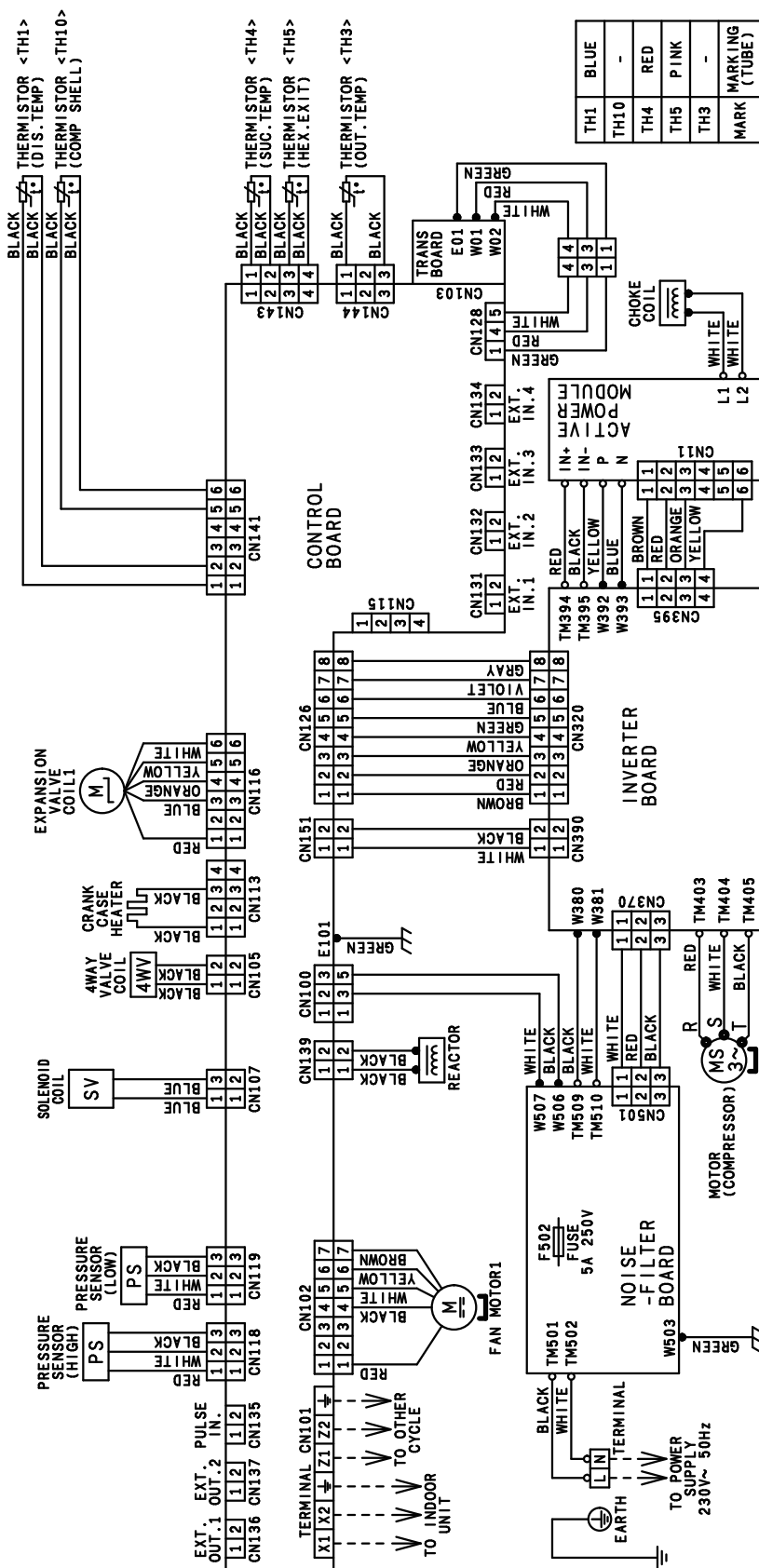


# 6. Wiring diagrams

## 6-1. Models: AJ\*040LCLDH and AJ\*045LCLDH

OUTDOOR  
UNITS



OUTDOOR  
UNITS