

AJY054LBLBH

Please visit our webstore for full product and technical documentation 

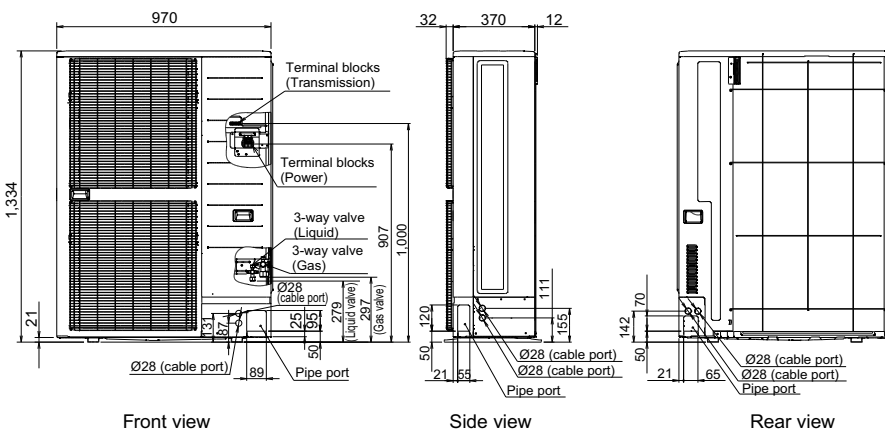
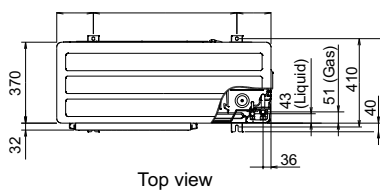
Nominal Cooling Capacity	(kW)	15.5
Nominal Heating Capacity	(kW)	15.5
Range		J-IV
Horse Power		6
Maximum Connectable Indoor Units		14
EER		3.71
COP (Nominal Heating)		4.43
Dimensions (H x W x D)	(mm)	1334 x 970 x 370
Weight	(kg)	119
Airflow Rate (Cooling - Heating) High	(m3/h)	6900 - 6900
Available Static Pressure	(Pa)	-
Sound Pressure Level (Cooling - Heating) High	(dB(A))	53 - 56
Sound Power Level (Cooling - Heating) High	(dB(A))	66 - 66
Refrigerant Type (Global Warming Potential)		R410A (2,088)
Pipe Sizes (Liquid - Gas)		3/8" - 3/4"
Total Pipe Length	(m)	180
Max Height Difference (OU: Upper / Lower)	(m)	50 / 40
Refrigerant Charge (kg)	(kg)	5.3
Refrigerant CO2eq-T		11.1
Unit Power Supply		1Ph-230V-50Hz
Cooling Mode Operating Range	(°C)	-5 to 46
Heating Mode Operating Range	(°C)	-20 to 21



Document Downloads

- [Cooling Capacity](#)
- [Dimensional Drawing](#)
- [Electrical Characteristics](#)
- [Heating Capacity](#)
- [Installation Manual](#)
- [Installation Space](#)
- [Noise Curve](#)
- [Product Image](#)
- [Refrigerant Circuit](#)

- [Spare Parts List All Pages](#)
- [Specifications](#)
- [Wiring Diagram](#)



Units: mm

*Specifications and design are subject to change without notice for further improvement.
 •Actual products' colors may be different from the colors shown in this printed material.