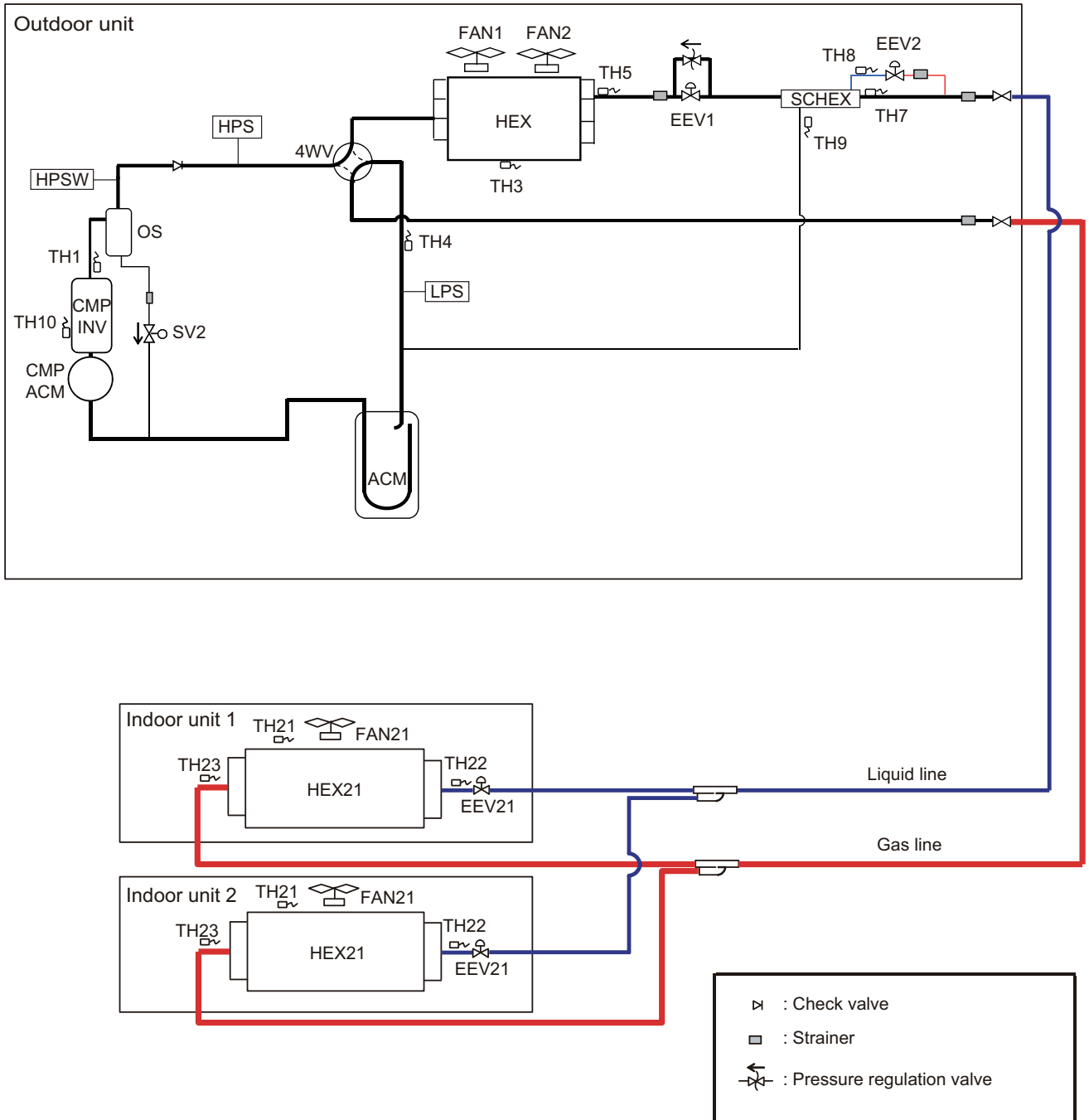


5. Refrigerant circuit

5-1. Models: AJ*040LBLDH, AJ*045LBLDH, AJ*054LBLDH, AJ*040LELDH, AJ*045LELDH, and AJ*054LELDH



OUTDOOR
UNITS

OUTDOOR
UNITS

5-2. Symbol description

- Outdoor unit

Symbol	Description	Marking color
CMP	Compressor (Inverter type)	—
HEX	Heat exchanger	—
FAN1	Fan 1	—
FAN2	Fan 2	—
ACM	Accumulator	—
OS	Oil separator	—
SCHEX	Sub-cool heat exchanger	—
HPS	High pressure sensor	—
LPS	Low pressure sensor	—
HPSW	High pressure sensor switch	—
4WV	4-way valve	—
EEV1	Electric expansion valve 1	—
EEV2	Electric expansion valve 2	—
SV2	Solenoid valve	—
TH1	Discharge temperature thermistor	Blue
TH3	Outdoor temperature thermistor	—
TH4	Suction temperature thermistor	Red
TH5	Heat exchanger (outlet) thermistor	Pink
TH7	Liquid temperature thermistor	Green
TH8	Sub-cool heat exchanger (inlet) thermistor	White
TH9	Sub-cool heat exchanger (outlet) thermistor	Brown
TH10	Compressor temperature thermistor	—

- Indoor unit

Symbol	Description
HEX21	Heat exchanger
FAN21	Fan
EEV21	Electric expansion valve
TH21	Room temperature thermistor
TH22	Heat exchanger (inlet) thermistor
TH23	Heat exchanger (outlet) thermistor