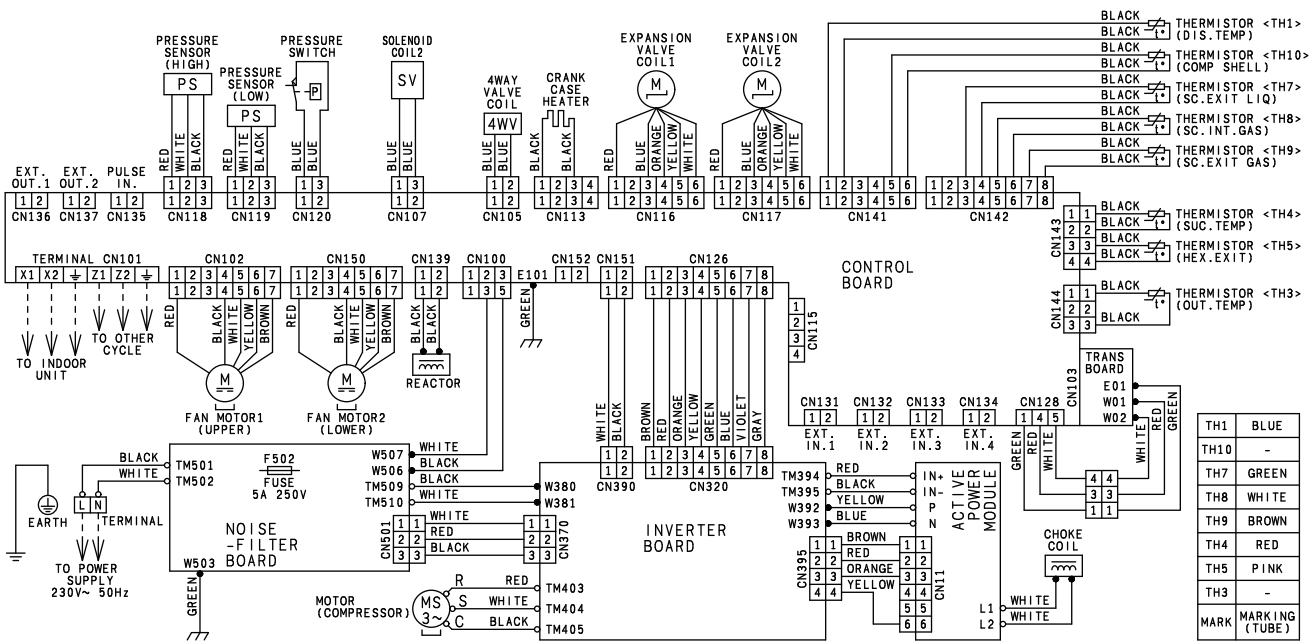


# 6. Wiring diagrams

## 6-1. Models: AJ\*040LBLDH and AJ\*045LBLDH

OUTDOOR  
UNITS

OUTDOOR  
UNITS



## 6-2. Model: AJ\*054LBLDH

