

3. Dimensions

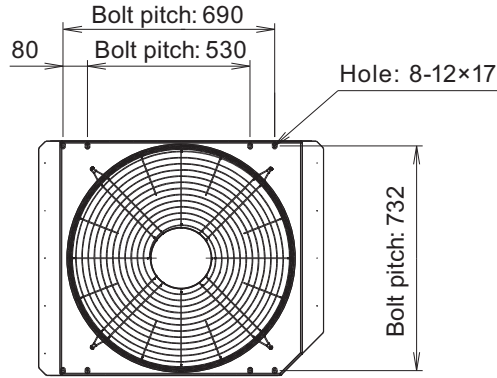
3-1. Stand-alone

■ Models: AJ*072GALBH, AJ*090GALBH, and AJ*108GALBH

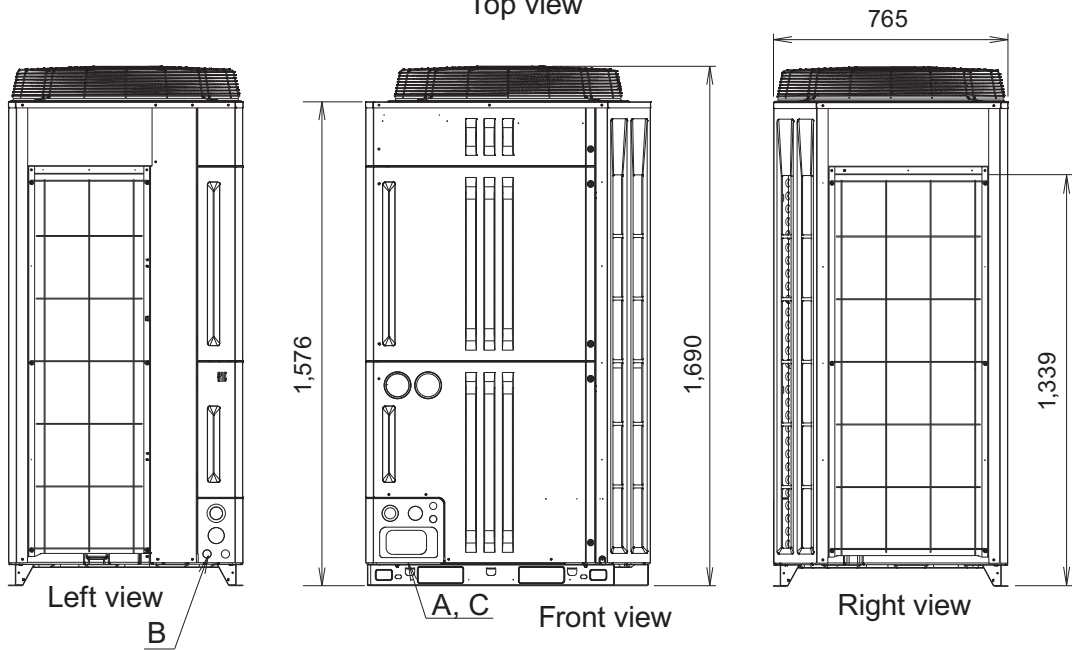
Unit: mm

OUTDOOR
UNITS

OUTDOOR
UNITS



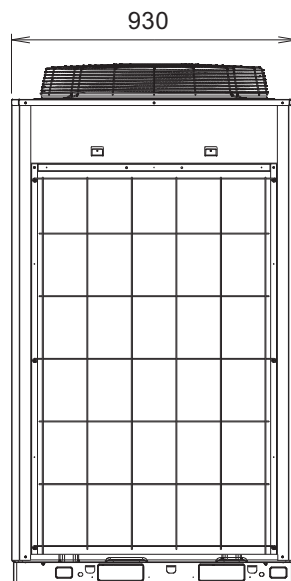
Top view



Left view
B

A, C Front view

Right view



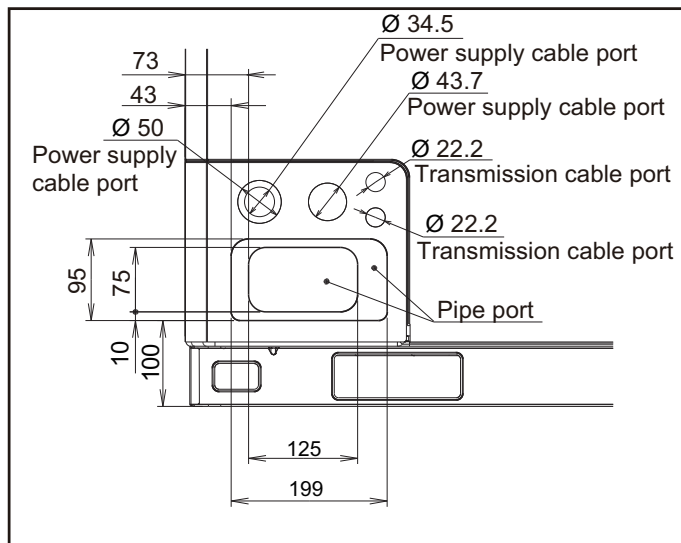
Rear view

■ Knock out hole position

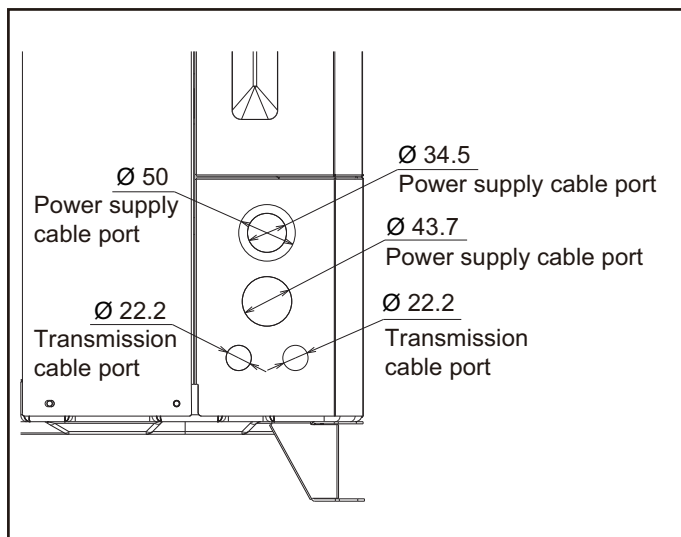
Unit: mm

OUTDOOR
UNITS

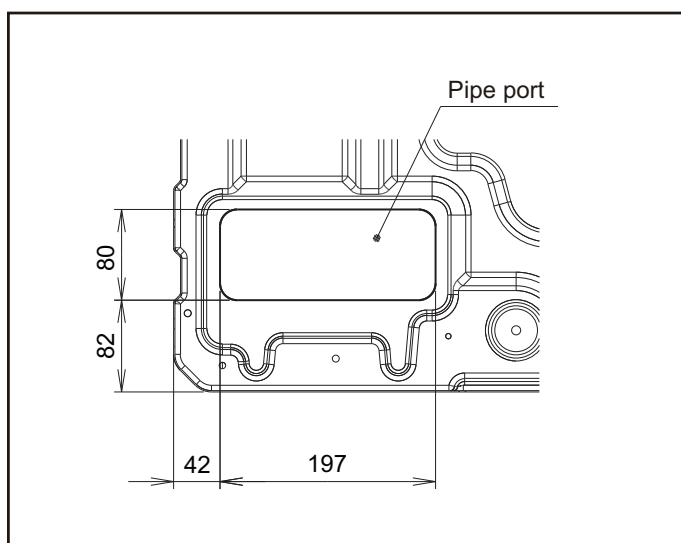
OUTDOOR
UNITS



Detail A: Front view



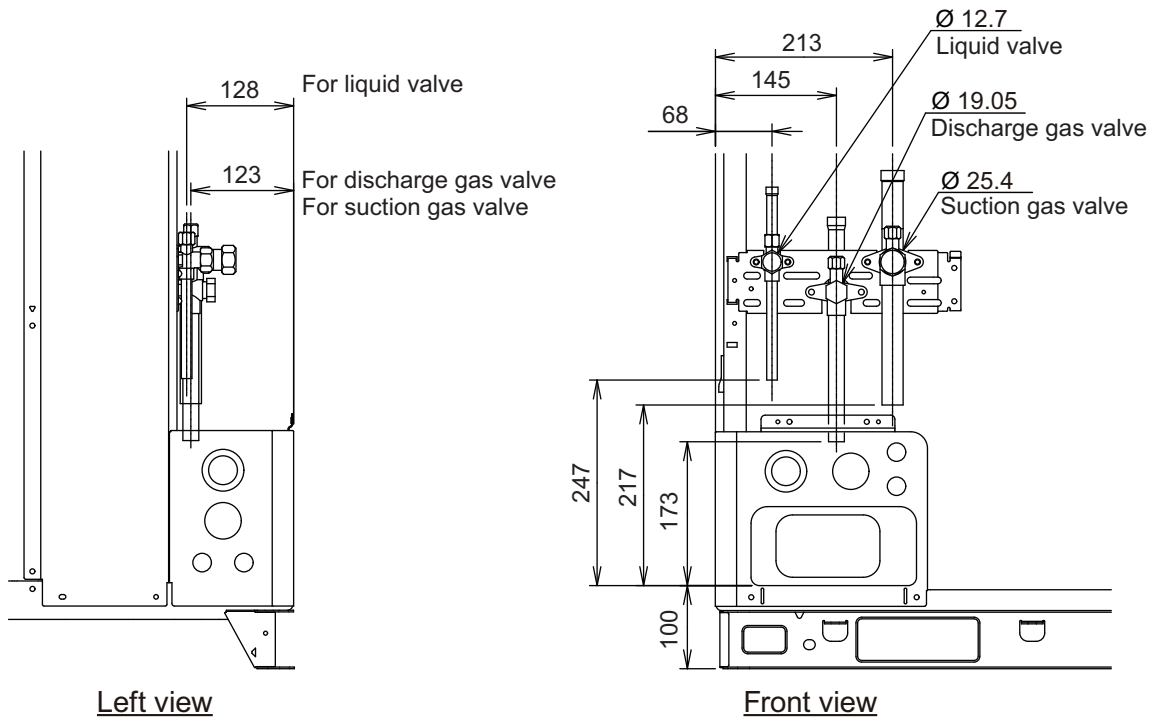
Detail B: Left view



Detail C: Top view

Valve position

Unit: mm



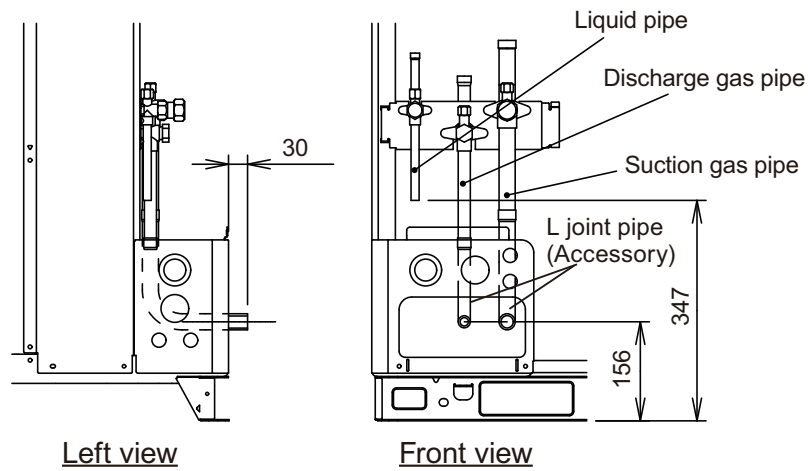
OUTDOOR
UNITS

OUTDOOR
UNITS

■ Accessory pipe

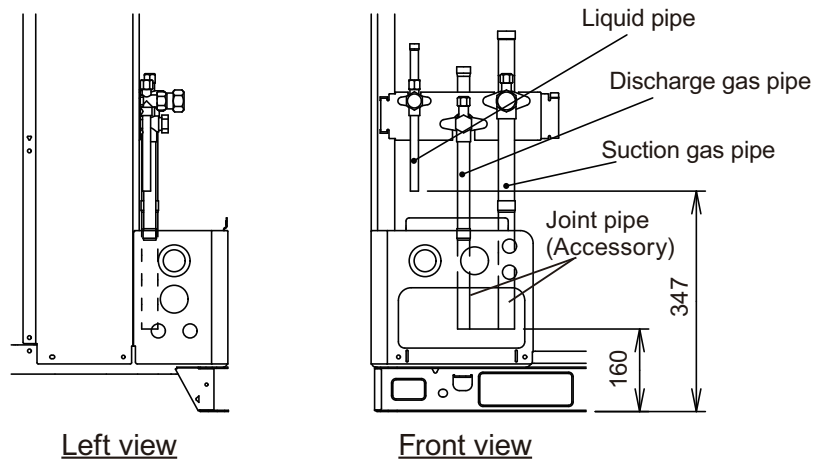
Unit: mm

• Front piping

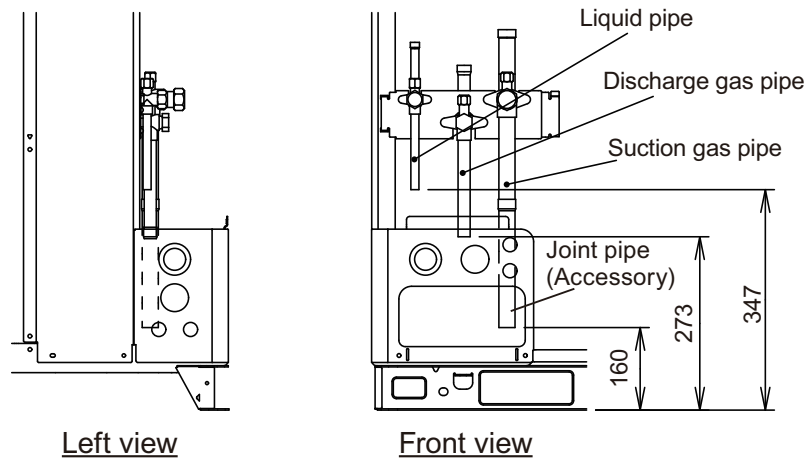


• Bottom piping

– Models: AJ*090GALBH, AJ*108GALBH, AJ*126GALBH, and AJ*144GALBH

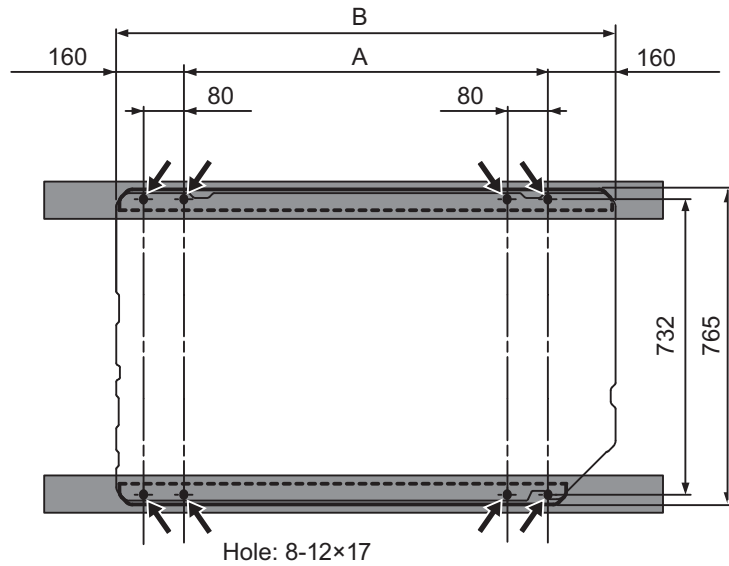


– Model: AJ*072GALBH



Installation (Foundation)

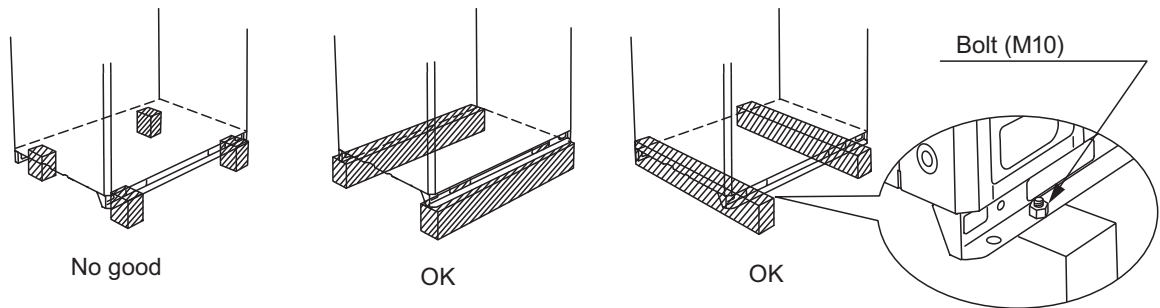
Unit: mm



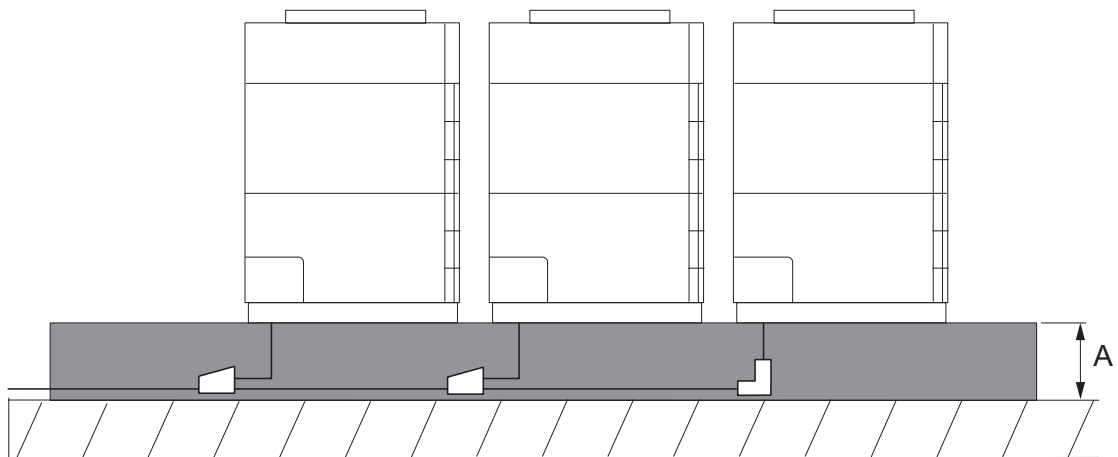
Bottom view

Model name	A	B
AJ*072GALBH	610	930
AJ*090GALBH		
AJ*108GALBH		
AJ*126GALBH	920	1,240
AJ*144GALBH		

• Installation example



NOTE: Do not use a four-corner support foundation.



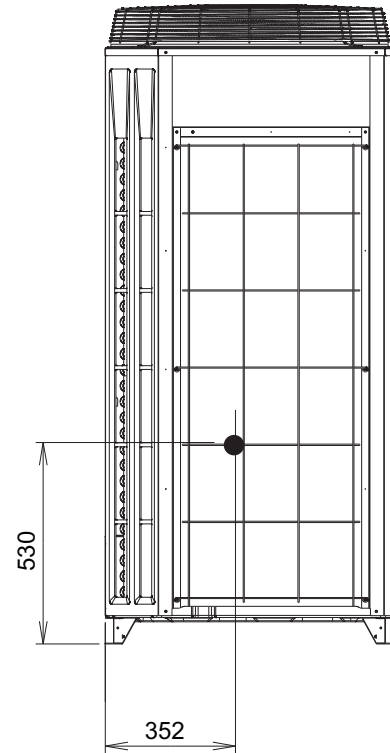
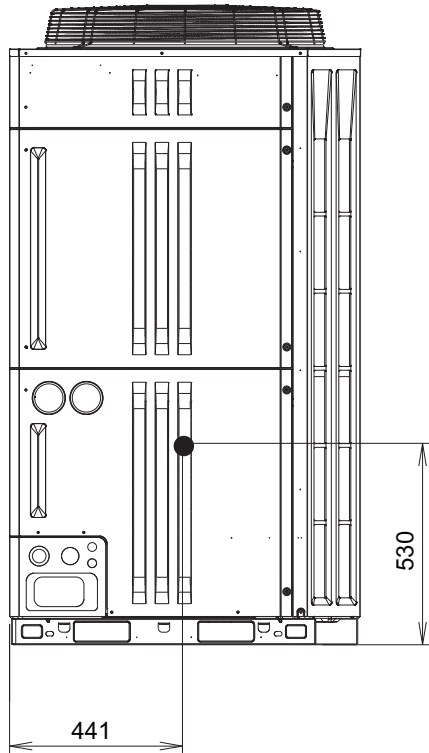
A: More than 200.

When installing pipe from the bottom of the outdoor units, the required space under the outdoor unit ≥ 200 .

Center of gravity position

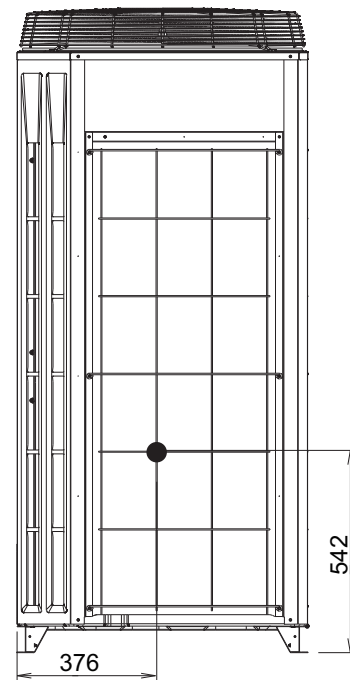
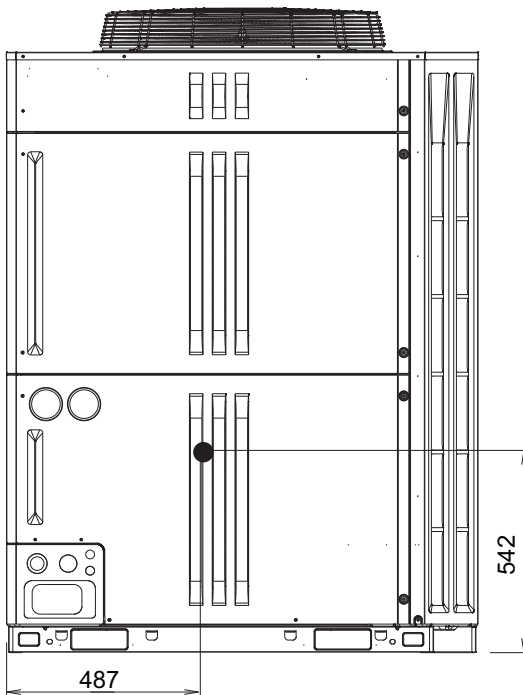
Unit: mm

- Models: AJ*072GALBH, AJ*090GALBH, and AJ*108GALBH



●: Center of gravity

- Models: AJ*126GALBH and AJ*144GALBH



●: Center of gravity

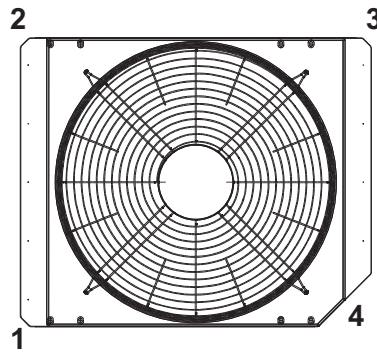
OUTDOOR
UNITS

OUTDOOR
UNITS

■ Corner weights

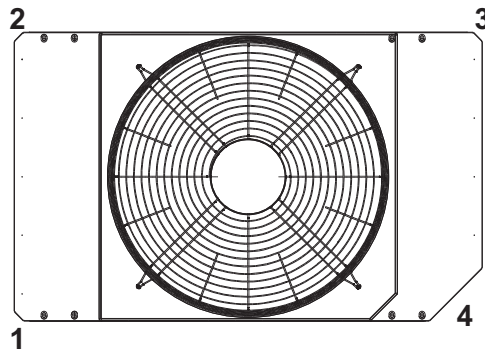
Unit: kg

- Models: AJ*072GALBH, AJ*090GALBH, and AJ*108GALBH



1	2	3	4	Total
72	67	64	68	271

- Models: AJ*126GALBH and AJ*144GALBH



1	2	3	4	Total
84	83	61	62	290

OUTDOOR
UNITS

OUTDOOR
UNITS