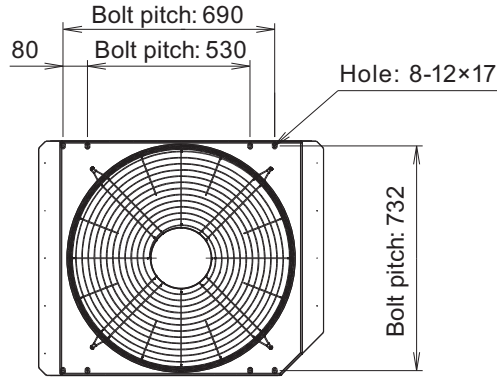


### 3. Dimensions

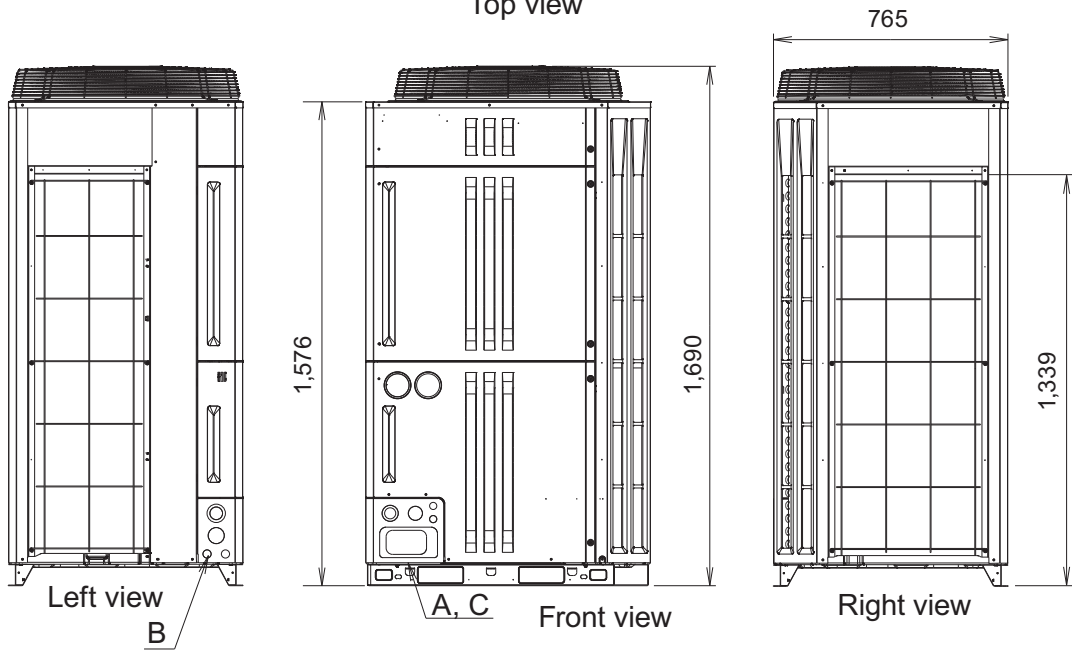
#### 3-1. Stand-alone

■ Models: AJ\*072GALDH, AJ\*090GALDH, and AJ\*108GALDH

Unit: mm



Top view



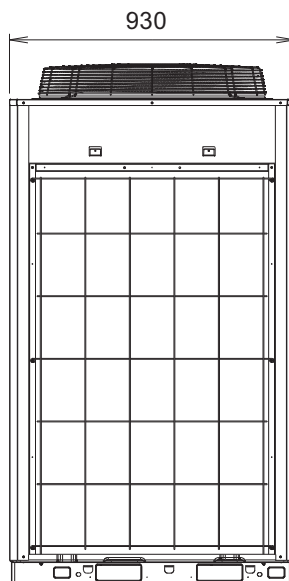
Left view

B

A, C

Front view

Right view



Rear view

OUTDOOR  
UNITS

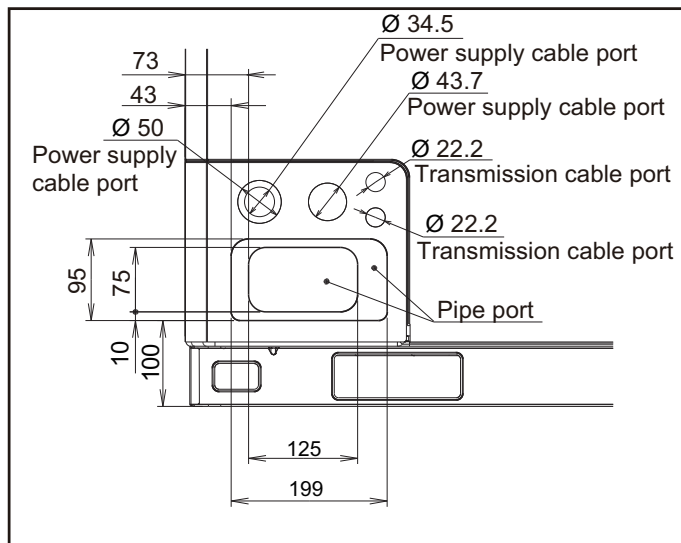
OUTDOOR  
UNITS

# ■ Knock out hole position

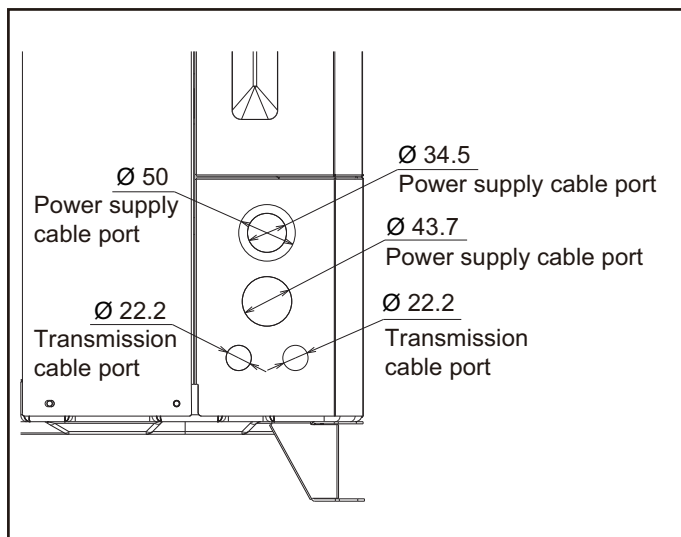
Unit: mm

OUTDOOR  
UNITS

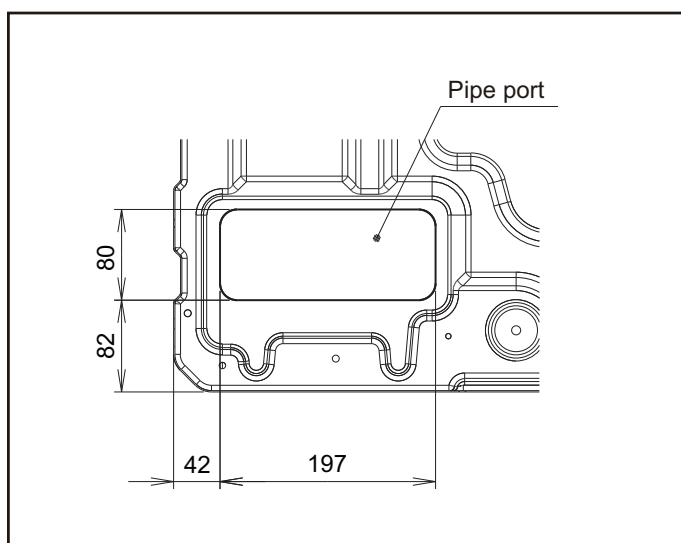
OUTDOOR  
UNITS



Detail A: Front view



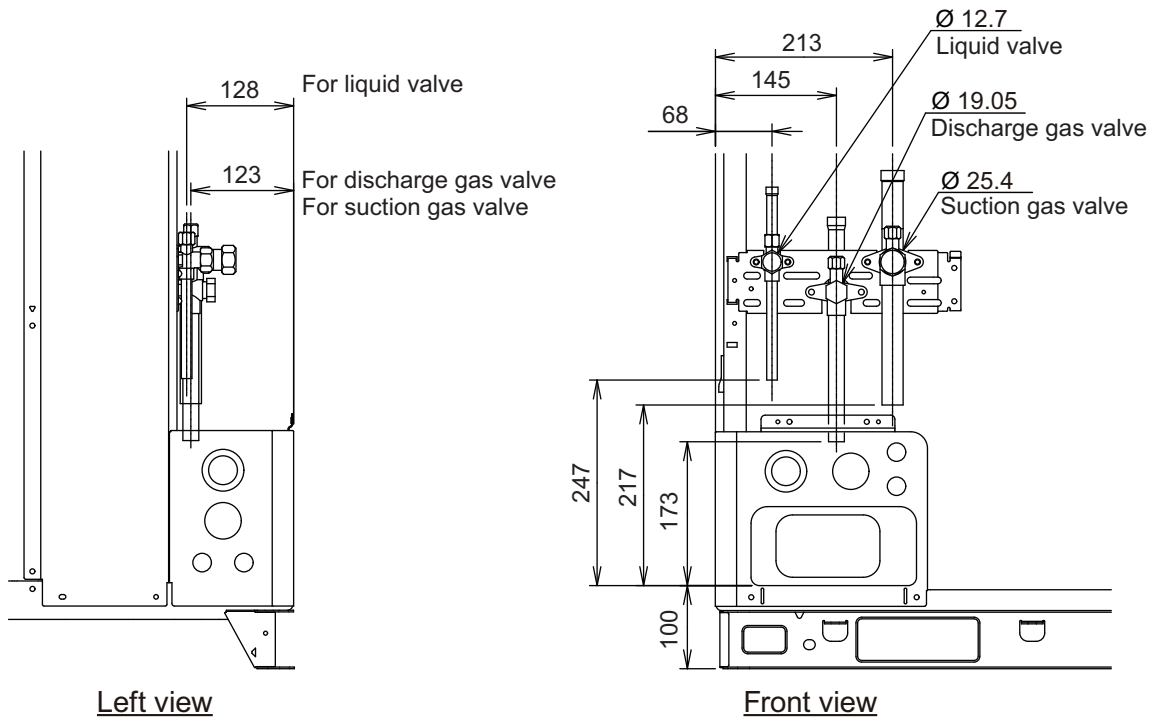
Detail B: Left view



Detail C: Top view

# Valve position

Unit: mm



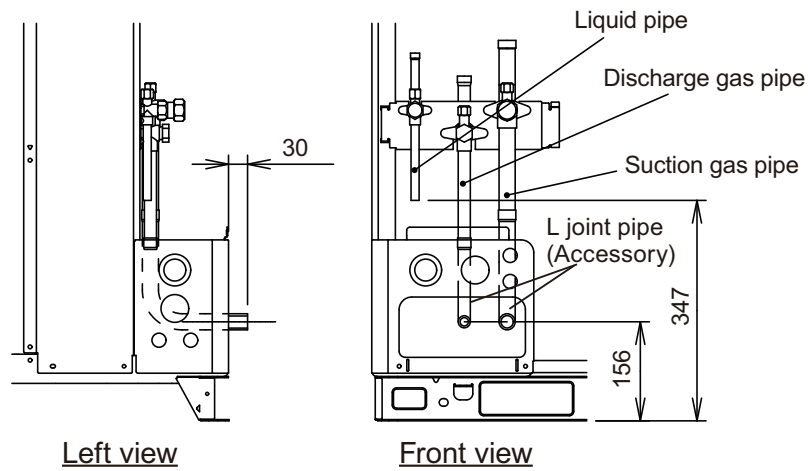
OUTDOOR  
UNITS

OUTDOOR  
UNITS

## ■ Accessory pipe

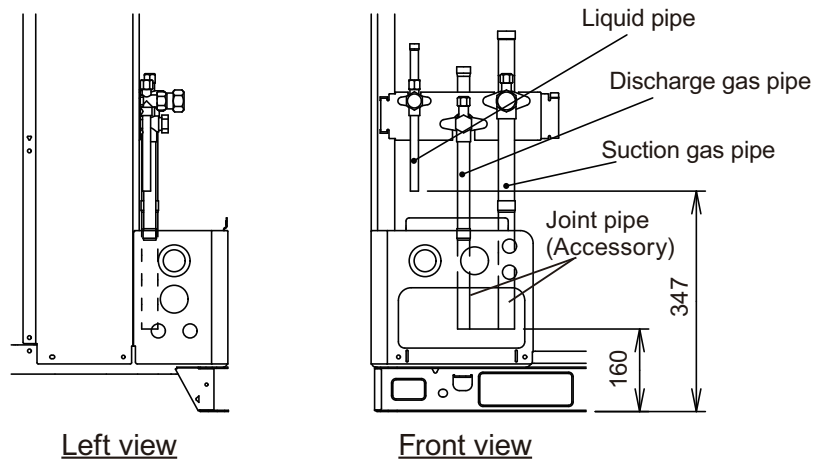
Unit: mm

### • Front piping



### • Bottom piping

– Models: AJ\*090GALDH, AJ\*108GALDH, AJ\*126GALDH, and AJ\*144GALDH



– Model: AJ\*072GALDH

