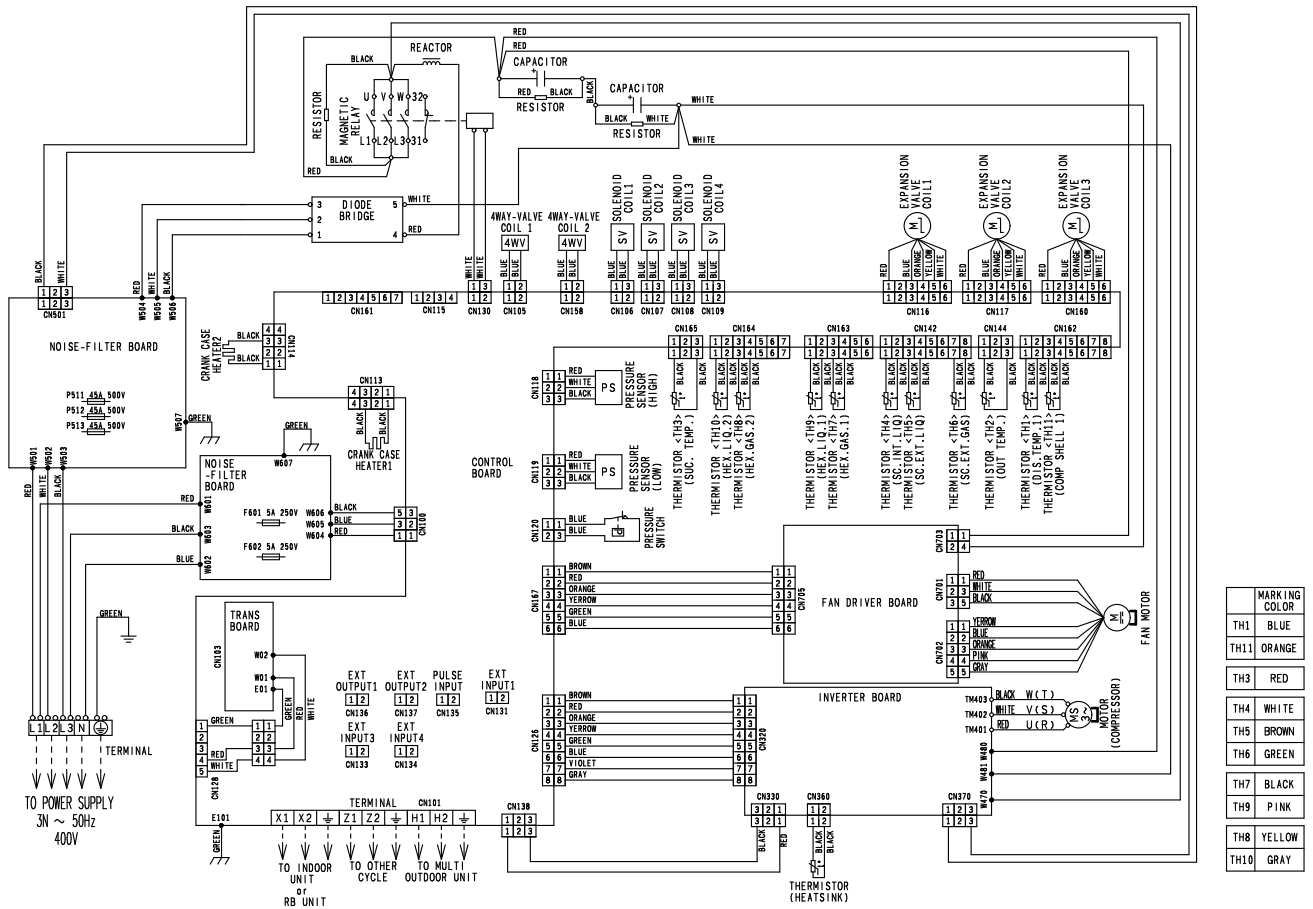


# 6. Wiring diagrams

## 6-1. Models: AJ\*072GALDH, AJ\*090GALDH, and AJ\*108GALDH



- NOTE:**
- X1 and X2: To be connected to indoor unit or RB unit
  - Z1 and Z2: To be connected to other master outdoor unit
  - H1 and H2: To be connected to outdoor unit within same refrigerant system