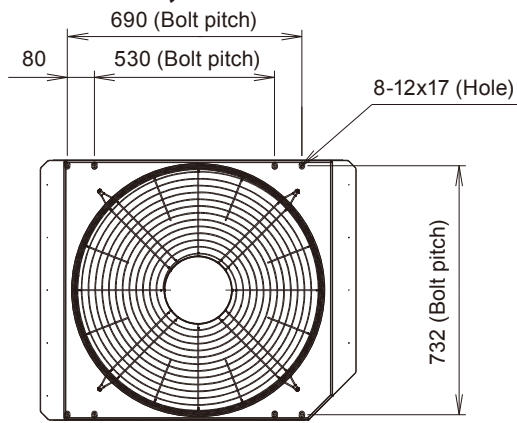


## 2. DIMENSIONS

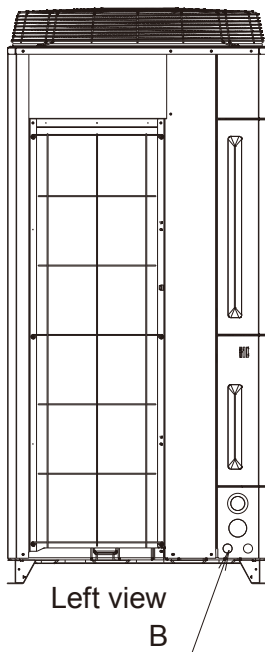
### 2-1. SINGLE UNIT

■ MODELS: AJ\*072LALBH, AJ\*090LALBH

(Unit : mm)

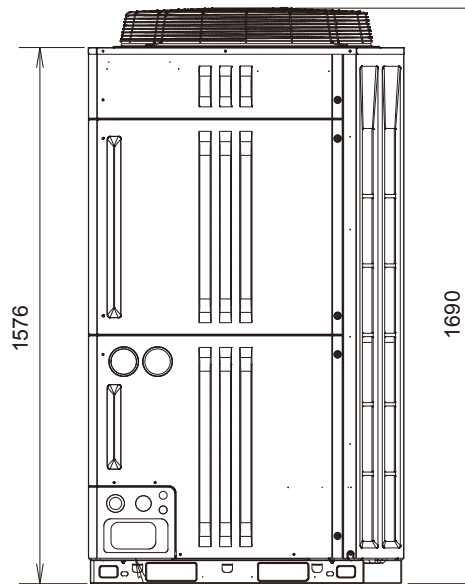


Top view



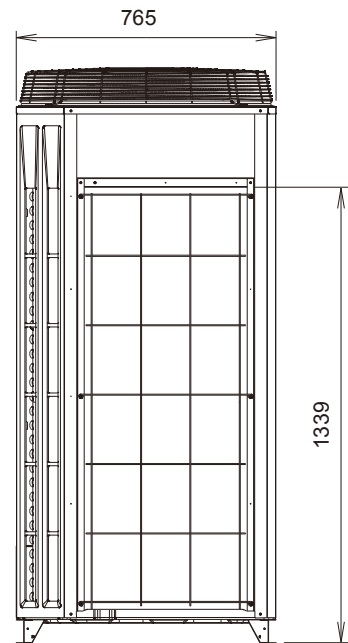
Left view

B

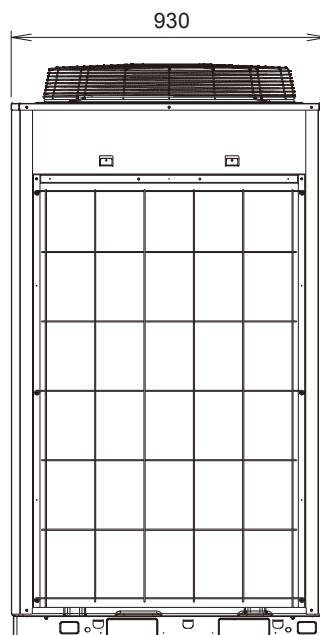


A, C

Front view



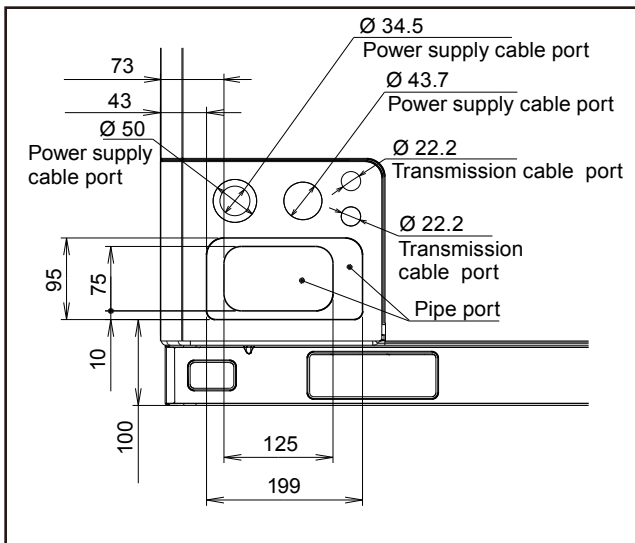
Right view



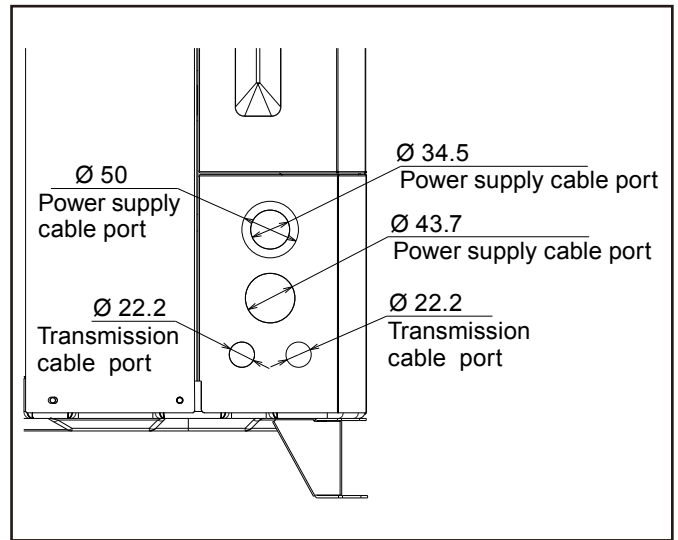
Rear view

# ■ KNOCKOUT HOLE POSITION

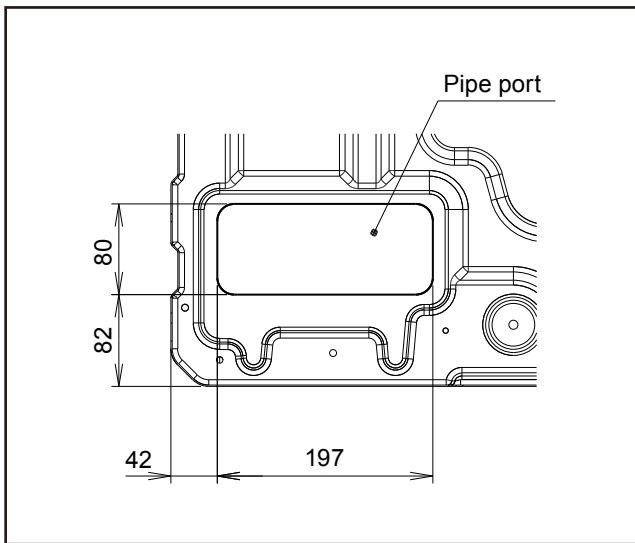
(Unit : mm)



Detail A : Front view



Detail B : Left view

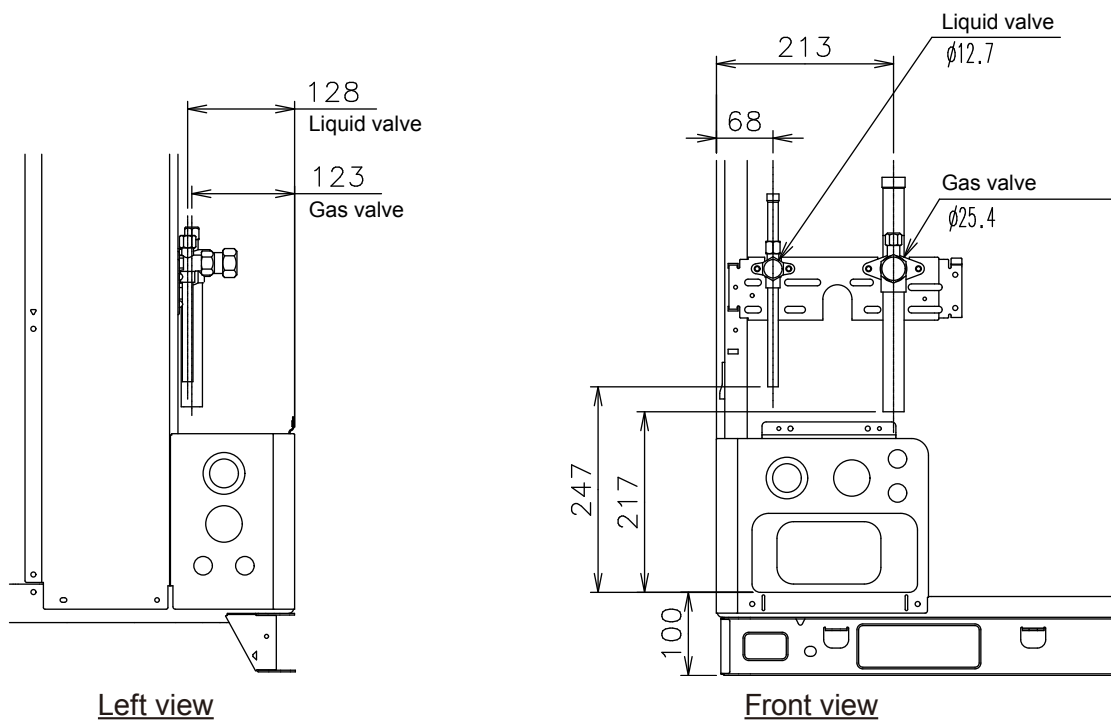


Detail C : Top view

OUTDOOR  
UNITS

OUTDOOR  
UNITS

## ■ VALVE POSITION



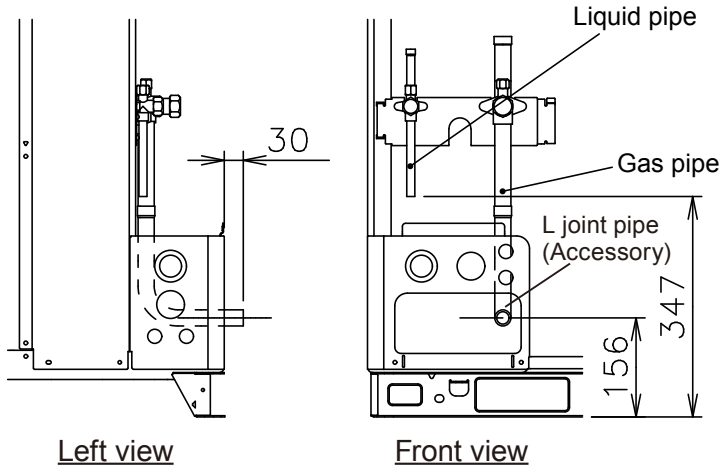
OUTDOOR  
UNITS

OUTDOOR  
UNITS

## ■ ACCESSORY PIPE

(Unit : mm)

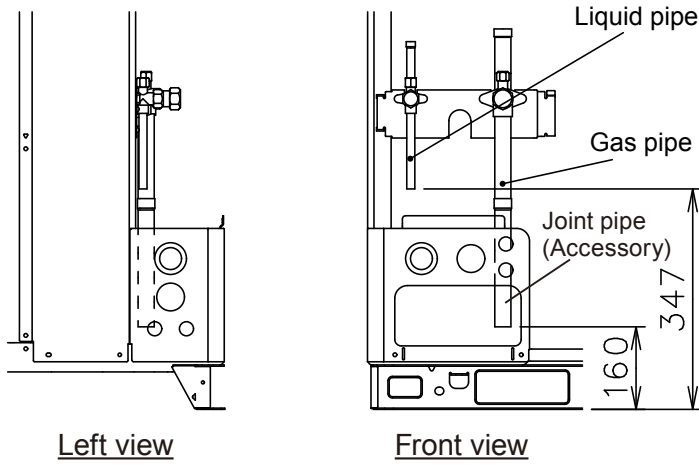
### ● Front piping



Left view

Front view

### ● Bottom piping

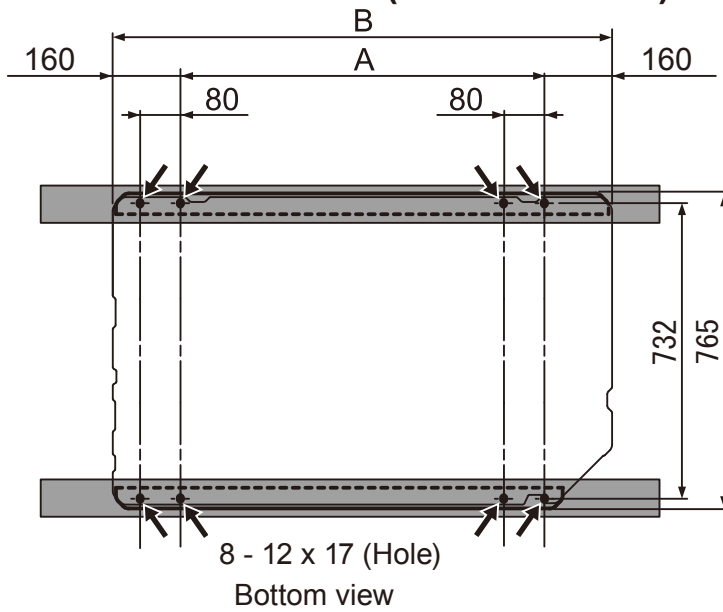


Left view

Front view

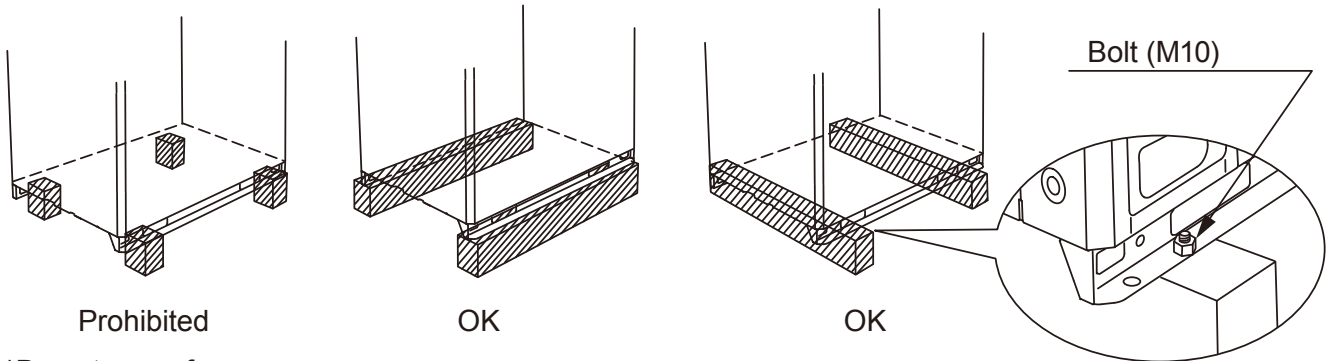
# ■ INSTALLATION (FOUNDATION)

(Unit : mm)

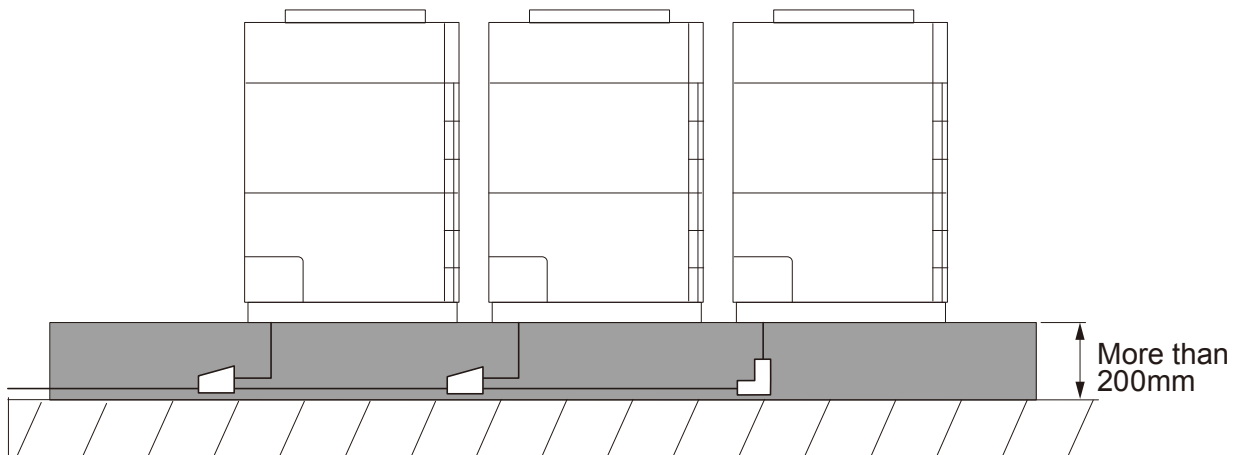


Model	A	B
AJ*072LALBH	610	930
AJ*090LALBH	610	930
AJ*108LALBH	920	1,240
AJ*126LALBH	920	1,240
AJ*144LALBH	920	1,240
AJ*162LALBH	920	1,240

## Installation example



\*Do not use a four-corner support foundation.



When installing pipe from the bottom of the outdoor units, the required space under the outdoor unit  $\geq 200\text{mm}$ .

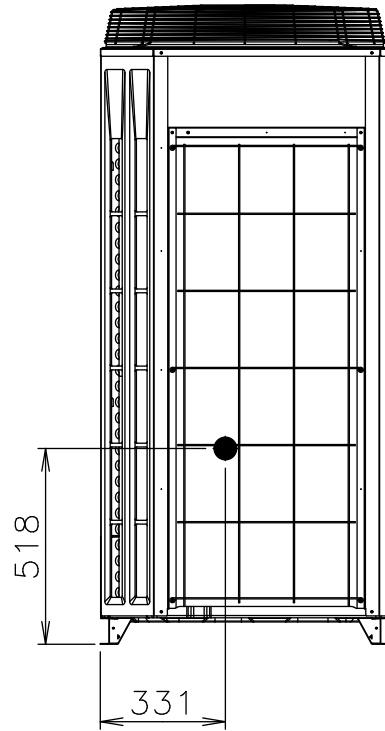
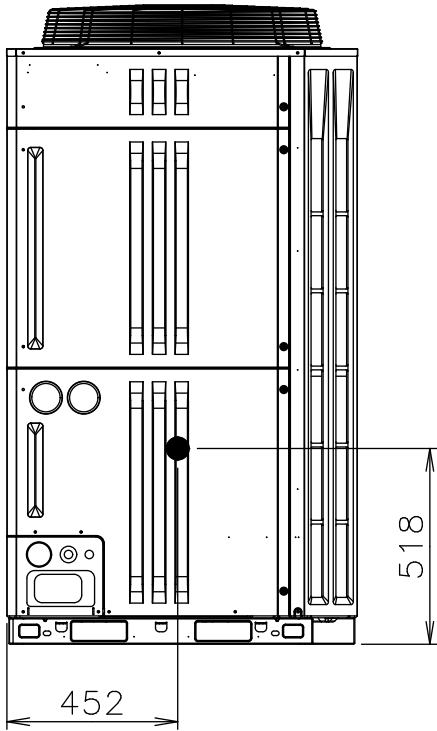
OUTDOOR UNITS

OUTDOOR UNITS

## ■ CENTER OF GRAVITY POSITION

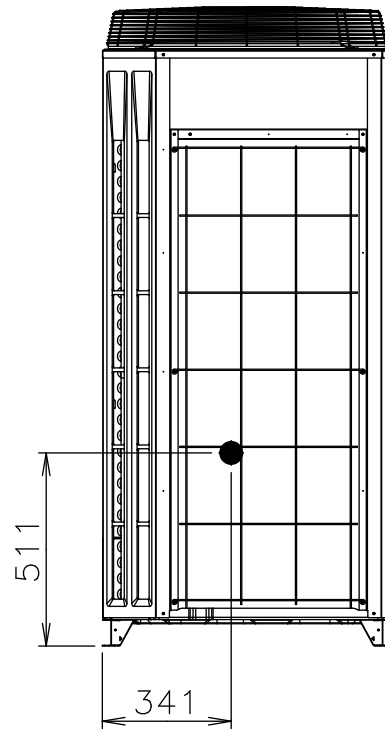
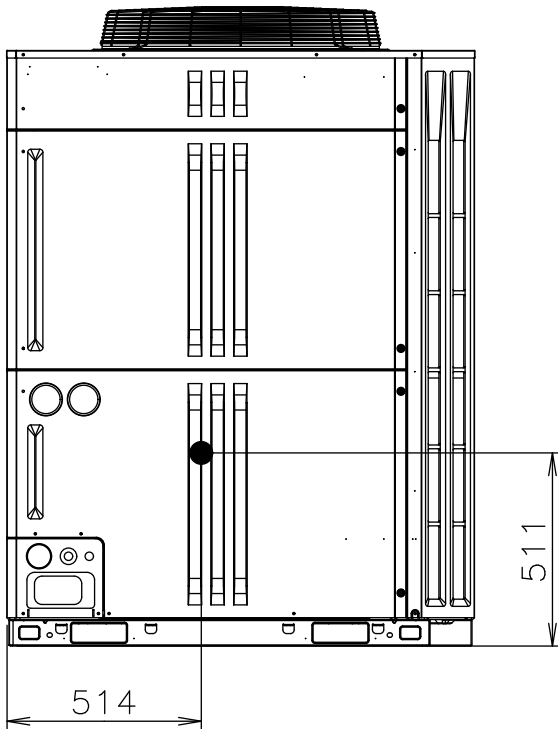
(Unit : mm)

- Models: AJ\*072LALBH, AJ\*090LALBH



● : Center of gravity

- Models: AJ\*108LALBH, AJ\*126LALBH, AJ\*144LALBH, AJ\*162LALBH



● : Center of gravity