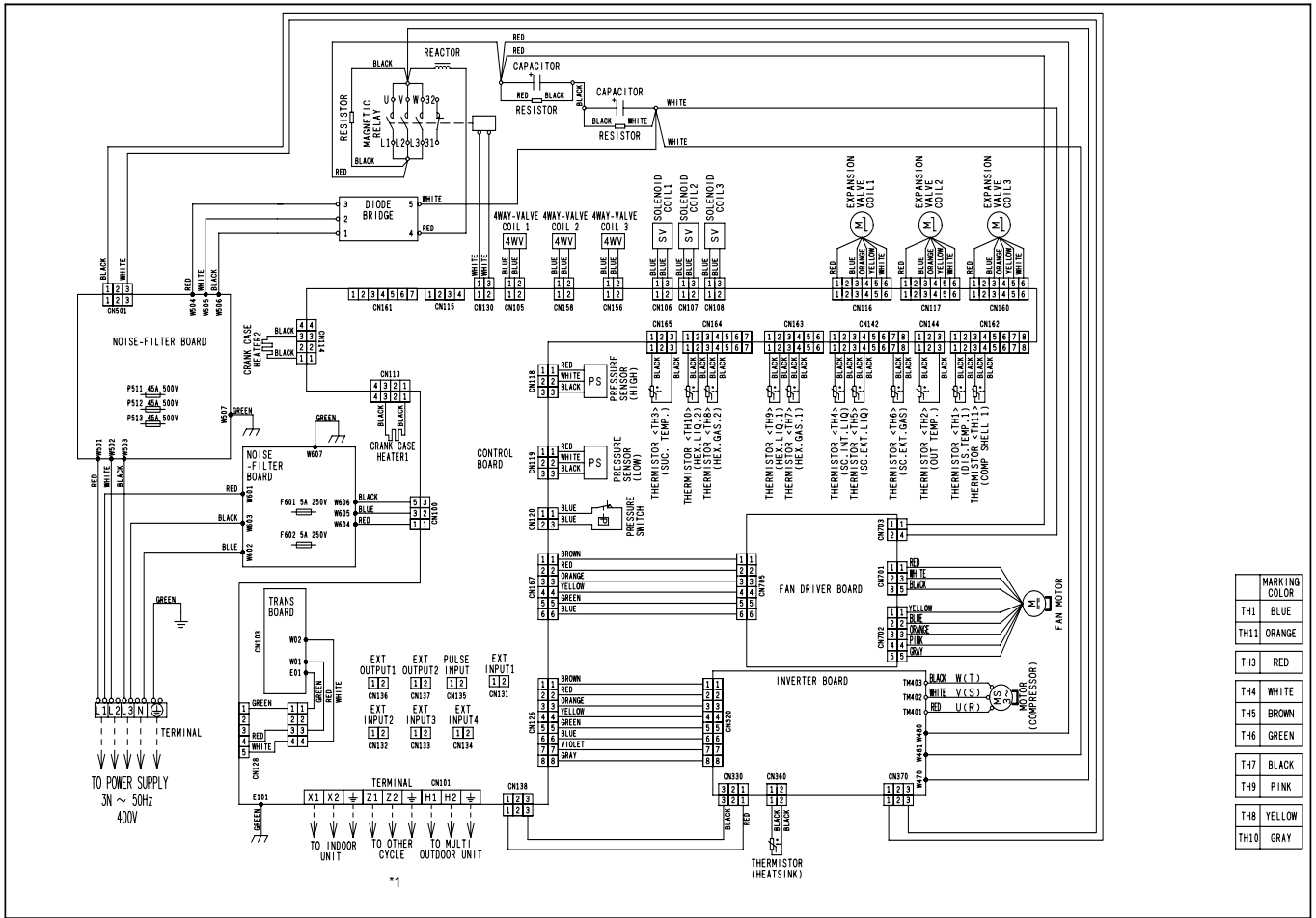


5. WIRING DIAGRAM

MODELS: AJ*072LALBH, AJ*090LALBH



***1: NOTE**
X1, X2 : To be connected to indoor unit
Z1, Z2 : To be connected to other master outdoor unit
H1, H2 : To be connected to outdoor unit within same refrigerant system