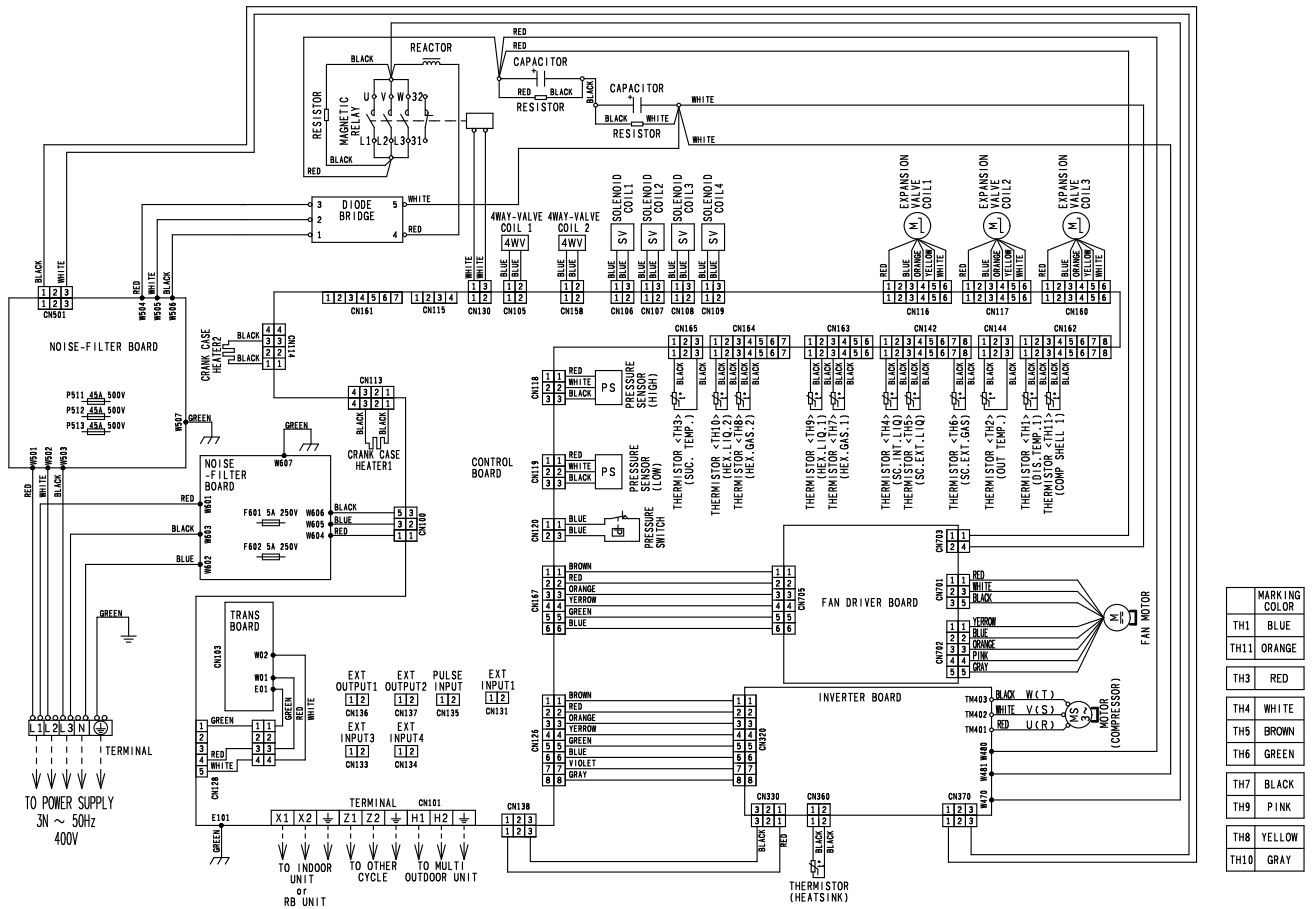


# 6. Wiring diagrams

## 6-1. Models: AJ\*072GALBH, AJ\*090GALBH, and AJ\*108GALBH



- NOTE:**
- X1 and X2: To be connected to indoor unit or RB unit
  - Z1 and Z2: To be connected to other master outdoor unit
  - H1 and H2: To be connected to outdoor unit within same refrigerant system