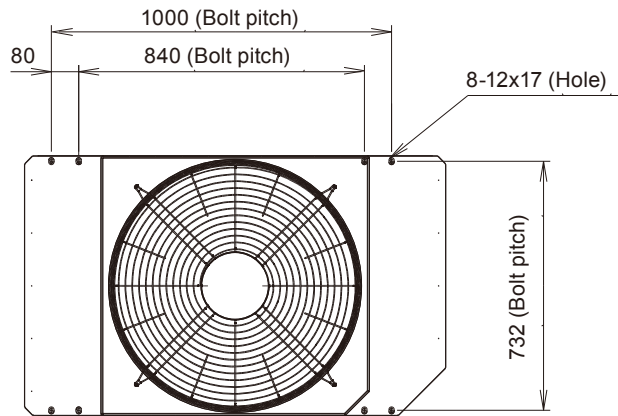
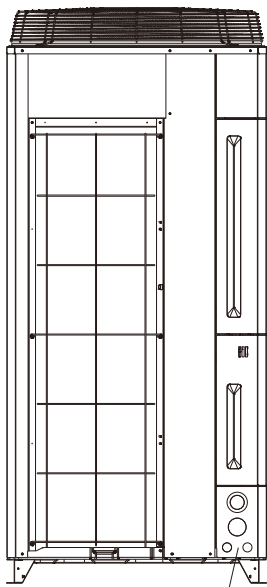


■ MODELS: AJ*108LALBH, AJ*126LALBH, AJ*144LALBH, AJ*162LALBH

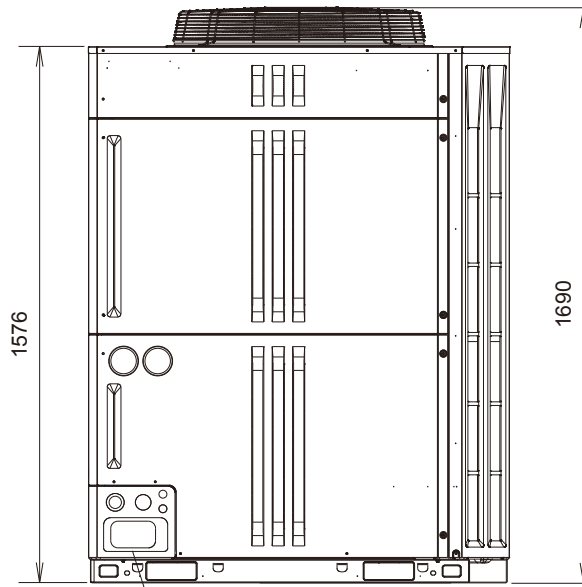
(Unit : mm)



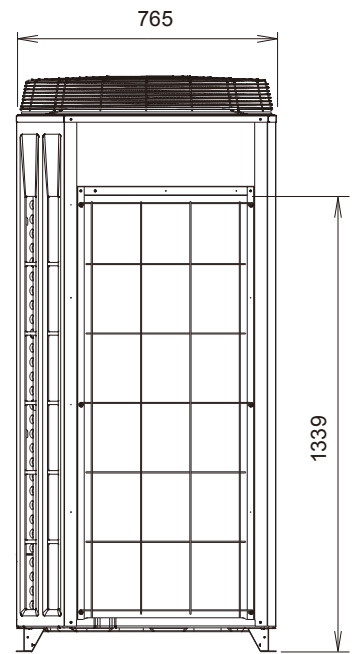
Top view



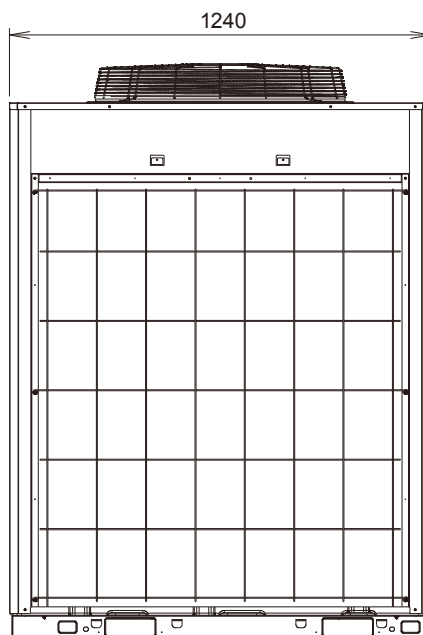
Left view



Front view



Right view



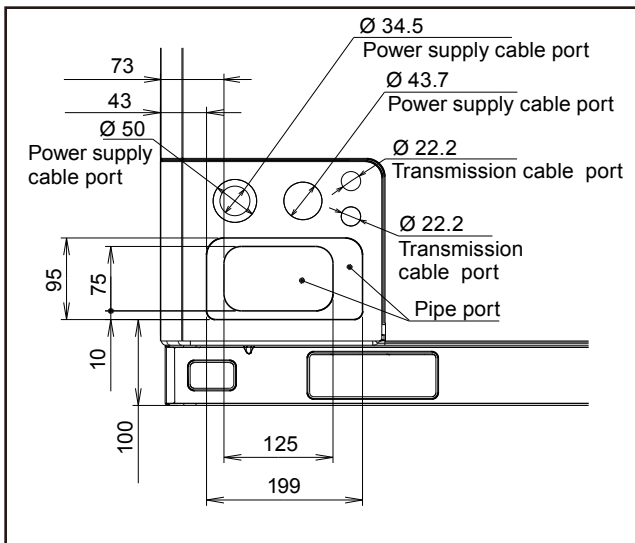
Rear view

OUTDOOR
UNITS

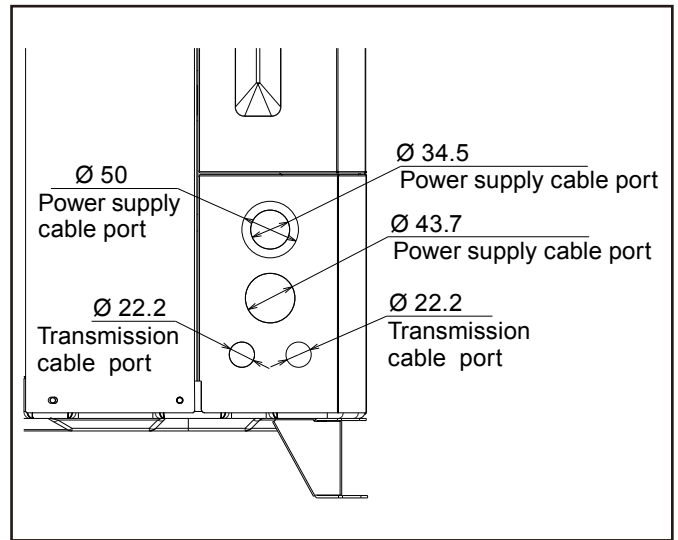
OUTDOOR
UNITS

■ KNOCKOUT HOLE POSITION

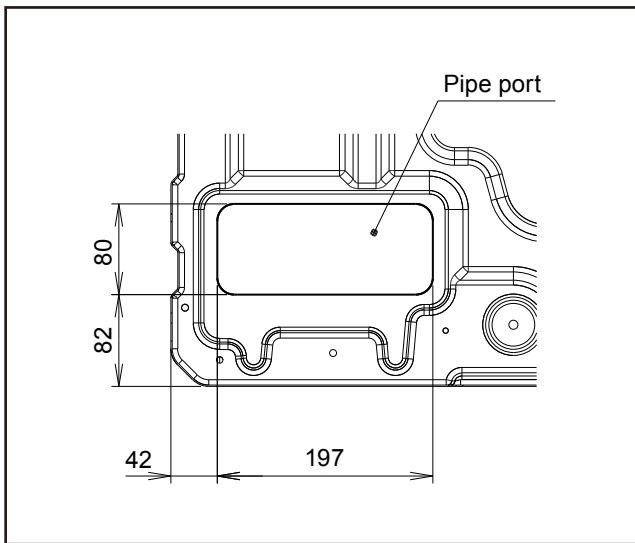
(Unit : mm)



Detail A : Front view



Detail B : Left view

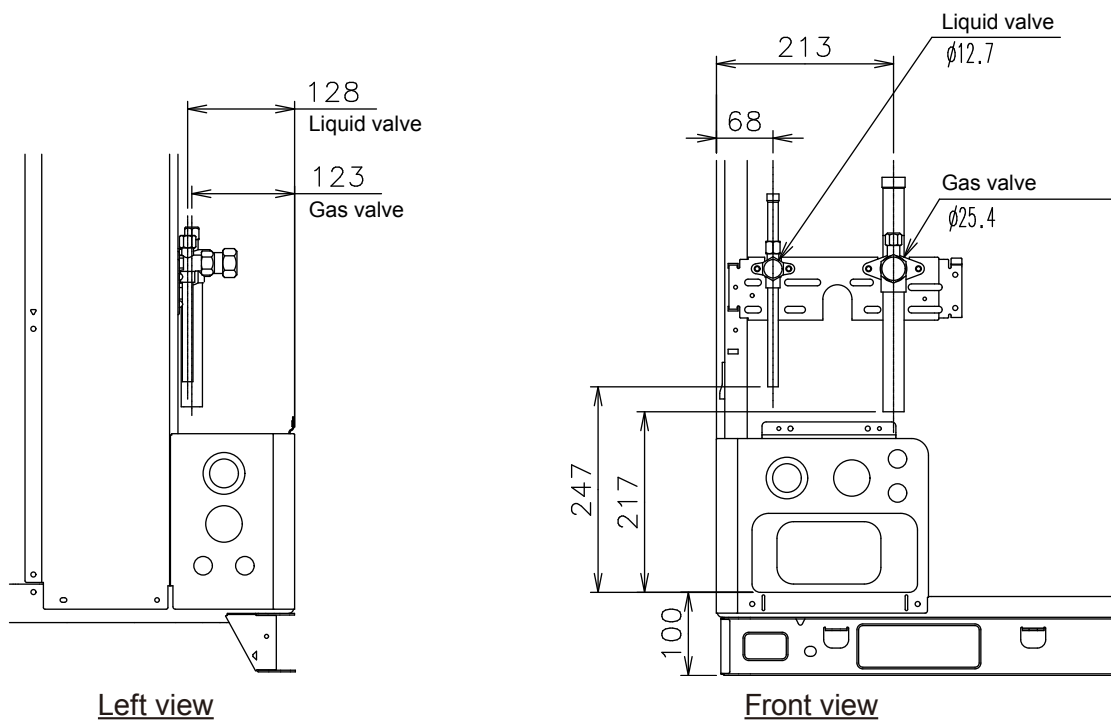


Detail C : Top view

OUTDOOR
UNITS

OUTDOOR
UNITS

■ VALVE POSITION



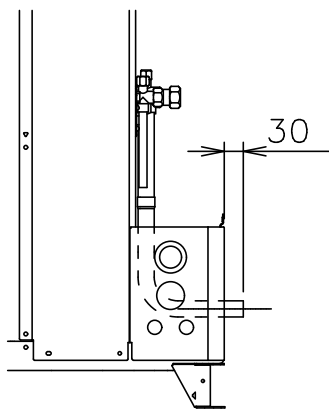
OUTDOOR
UNITS

OUTDOOR
UNITS

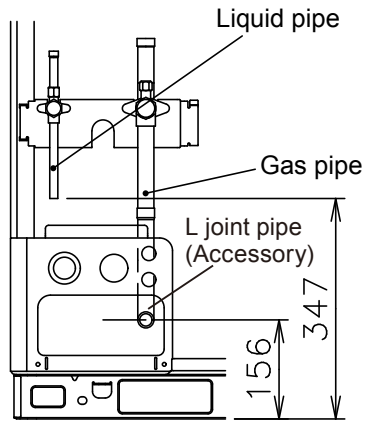
■ ACCESSORY PIPE

(Unit : mm)

● Front piping

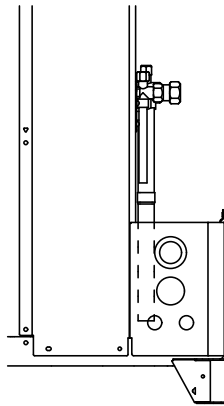


Left view

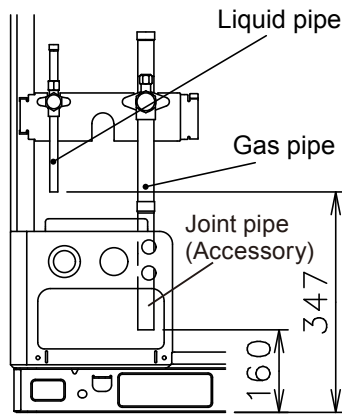


Front view

● Bottom piping



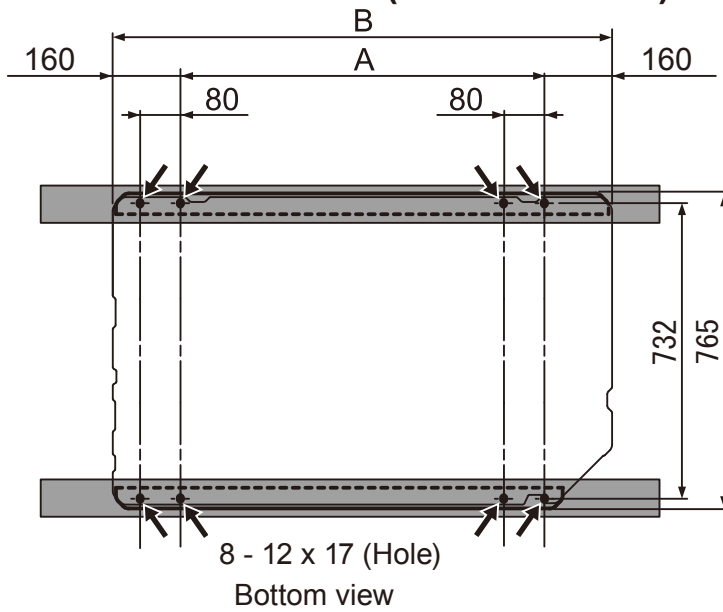
Left view



Front view

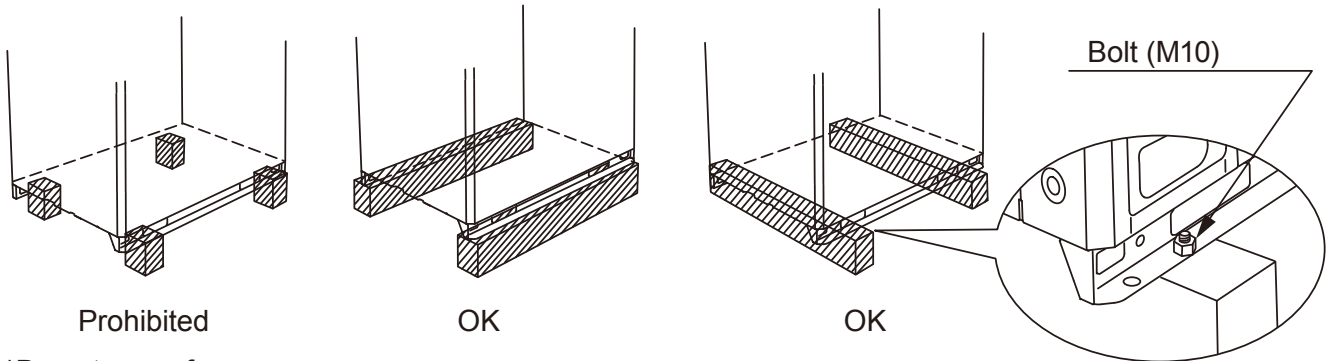
■ INSTALLATION (FOUNDATION)

(Unit : mm)

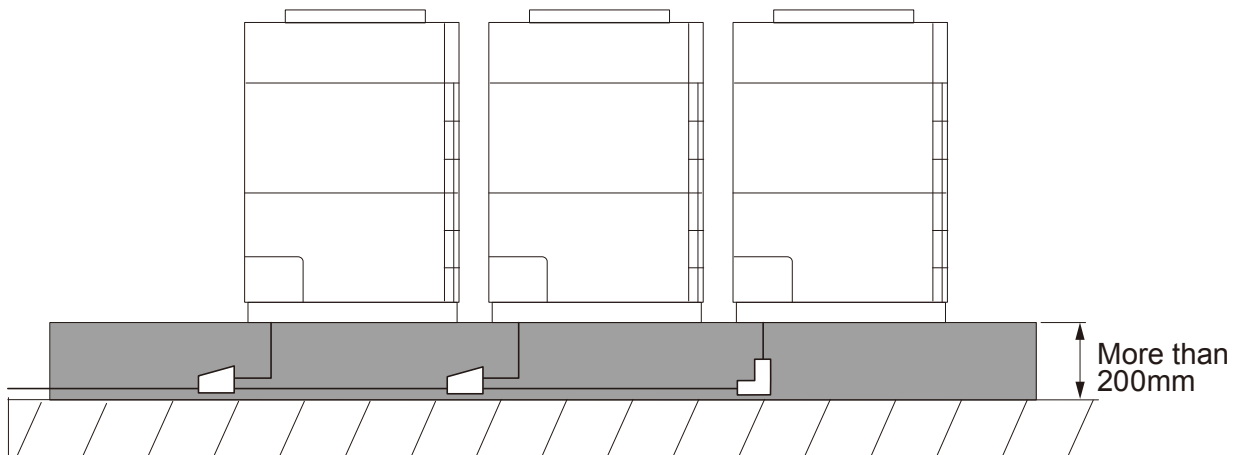


Model	A	B
AJ*072LALBH	610	930
AJ*090LALBH	610	930
AJ*108LALBH	920	1,240
AJ*126LALBH	920	1,240
AJ*144LALBH	920	1,240
AJ*162LALBH	920	1,240

Installation example



*Do not use a four-corner support foundation.

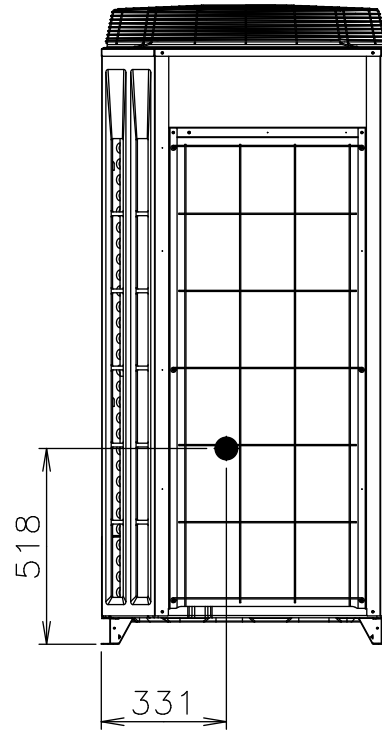
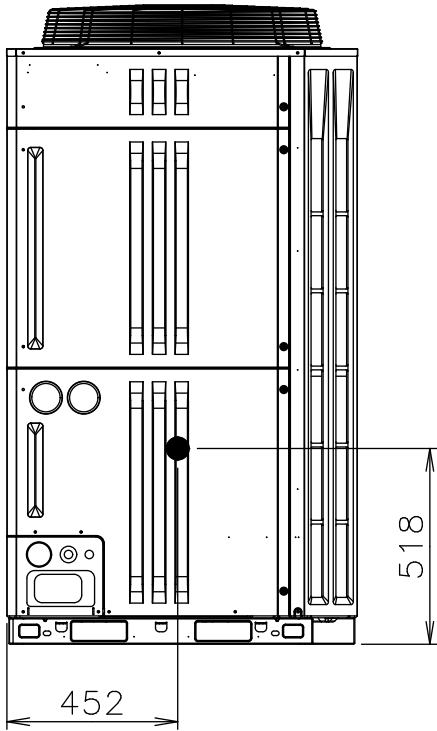


When installing pipe from the bottom of the outdoor units, the required space under the outdoor unit $\geq 200\text{mm}$.

■ CENTER OF GRAVITY POSITION

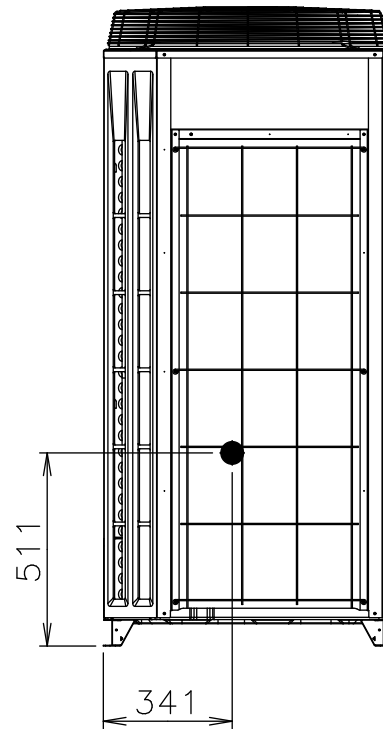
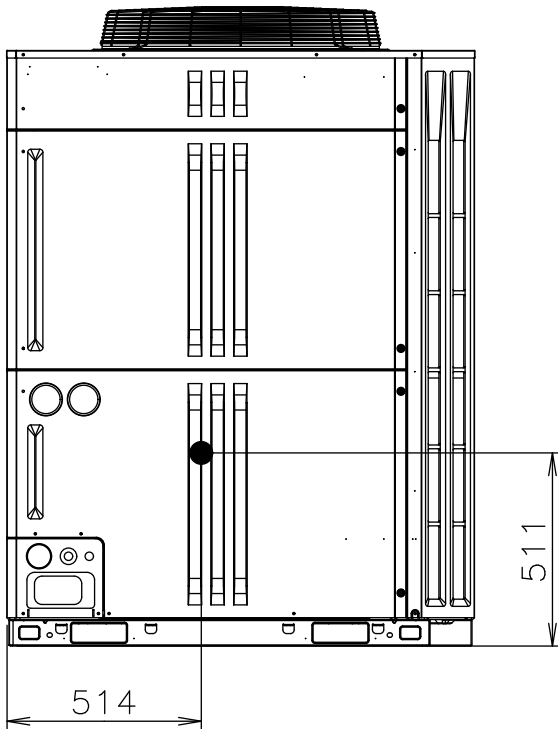
(Unit : mm)

- Models: AJ*072LALBH, AJ*090LALBH



● : Center of gravity

- Models: AJ*108LALBH, AJ*126LALBH, AJ*144LALBH, AJ*162LALBH



● : Center of gravity