

AIR CONDITIONER

2-unit multi-split type

DESIGN & TECHNICAL MANUAL



AUXG07KVLA
AUXG09KVLA
AUXG12KVLA
AUXG14KVLA



ARXG07KSLAP
ARXG09KSLAP
ARXG12KSLAP
ARXG14KSLAP



ARXG07KLLAP
ARXG09KLLAP
ARXG12KLLAP
ARXG14KLLAP



ASYG07KGTB
ASYG09KGTB
ASYG12KGTB
ASYG14KGTB



ASYG07KMTB
ASYG09KMTB
ASYG12KMTB
ASYG14KMTB

ASYG07KMCC
ASYG09KMCC
ASYG12KMCC
ASYG14KMCC



ASYG07KETA
ASYG09KETA
ASYG12KETA
ASYG14KETA



ASYG07KETA-B
ASYG09KETA-B
ASYG12KETA-B
ASYG14KETA-B

INDOOR



AGYG09KVCA
AGYG12KVCA
AGYG14KVCA

OUTDOOR



AOYG14KBTA2



AOYG18KBTA2

Notices:

- Product specifications and design are subject to change without notice for future improvement.
- For further details, please check with our authorized dealer.

Trademarks

FGLair™ is trademark of Fujitsu General Limited in the United States, other countries or both.

Google Play™ is trademark of Google Inc.

App Store® is a service mark of Apple Inc., registered in the U.S. and other countries.

CONTENTS

Part 1. INDOOR UNIT.....1

| | |
|--|-----------|
| 1. Model lineup | 2 |
| 1-1. Connectable indoor units to each outdoor unit..... | 3 |
| 1-2. Indoor unit connection patterns..... | 4 |
| 2. Specifications | 5 |
| 2-1. Compact cassette type | 5 |
| 2-2. Mini duct type..... | 6 |
| 2-3. Slim duct type | 7 |
| 2-4. Wall mounted type | 8 |
| 2-5. Floor type..... | 12 |
| 3. Dimensions..... | 13 |
| 3-1. Compact cassette type | 13 |
| 3-2. Mini duct type..... | 15 |
| 3-3. Slim duct type | 17 |
| 3-4. Wall mounted type | 19 |
| 3-5. Floor type..... | 25 |
| 4. Wiring diagrams | 27 |
| 4-1. Compact cassette type | 27 |
| 4-2. Mini duct type and Slim duct type | 28 |
| 4-3. Wall mounted type | 29 |
| 4-4. Floor type..... | 33 |
| 5. Air velocity and temperature distributions | 34 |
| 5-1. Compact cassette type | 34 |
| 5-2. Mini duct type..... | 40 |
| 5-3. Slim duct type | 48 |
| 5-4. Wall mounted type | 56 |
| 5-5. Floor type..... | 58 |
| 6. Fan performance | 59 |
| 6-1. Mini duct type..... | 59 |
| 6-2. Slim duct type | 67 |
| 7. Airflow | 75 |
| 7-1. Compact cassette type | 75 |
| 7-2. Mini duct type..... | 76 |
| 7-3. Slim duct type | 77 |
| 7-4. Wall mounted type | 78 |
| 7-5. Floor type..... | 81 |
| 8. Noise level curve..... | 82 |
| 8-1. Compact cassette type | 82 |
| 8-2. Mini duct type..... | 84 |
| 8-3. Slim duct type | 86 |
| 8-4. Wall mounted type | 88 |

CONTENTS (continued)

| | |
|---|------------|
| 8-5. Floor type | 92 |
| 8-6. Sound level check point | 94 |
| 9. Electrical characteristics | 97 |
| 10. Safety devices | 98 |
| 11. External input and output..... | 99 |
| 11-1.Compact cassette, Mini duct, and Slim duct types | 99 |
| 11-2.Wall mounted type (Models: ASYG07KGTB, ASYG09KGTB, ASYG12KGTB, ASYG14KGTB, ASYG07KETA, ASYG09KETA, ASYG12KETA, ASYG14KETA, ASYG07KETA-B, ASYG09KETA-B, ASYG12KETA-B, and ASYG14KETA-B) | 105 |
| 11-3.Wall mounted type (Models: ASYG07KMTB, ASYG09KMTB, ASYG12KMTB, ASYG14KMTB, ASYG07KMCC, ASYG09KMCC, ASYG12KMCC, and ASYG14KMCC) | 115 |
| 11-4.Floor type..... | 120 |
| 12. Group connection | 129 |
| 13. Remote controller | 131 |
| 13-1.Wireless remote controller (AR-REW4E, AR-REM4E, and AR-REB1E)..... | 131 |
| 13-2.Wireless remote controller (AR-REM7E)..... | 135 |
| 13-3.Wireless remote controller (UTY-LNTY: Optional part) | 137 |
| 13-4.IR receiver kit with Wireless remote controller (UTY-LBTYM: Optional part) | 139 |
| 13-5.Wired remote controller (UTY-RNNYM: Optional part)..... | 142 |
| 13-6.Wired remote controller (UTY-RLRY: Optional part) | 146 |
| 13-7.Wired remote controller (UTY-RVNYM: Optional part)..... | 149 |
| 13-8.Wired remote controller (UTY-RNRYZ*: Optional part) | 157 |
| 13-9.Simple remote controller (UTY-RSNYM: Optional part) | 160 |
| 13-10.Simple remote controller (UTY-RSRY and UTY-RHRY: Optional parts) | 164 |
| 14. Function settings | 167 |
| 14-1.Compact cassette, Mini duct, Slim duct types indoor unit (setting by DIP switch)..... | 167 |
| 14-2.Indoor unit (setting by wireless remote controller)..... | 169 |
| 14-3.Indoor unit (setting by wired remote controller) | 185 |
| 14-4.Indoor unit (setting by simple remote controller) | 196 |
| 14-5.Function details..... | 203 |
| 14-6.Wired remote controller (UTY-RNNYM) | 211 |
| 14-7.Wired remote controller (UTY-RVNYM) | 213 |
| 14-8.Wired remote controller (UTY-RLRY) | 214 |
| 14-9.Wired remote controller (UTY-RNRYZ*) | 214 |
| 14-10.Simple remote controller (UTY-RSNYM)..... | 215 |
| 15. Accessories | 216 |
| 15-1.Compact cassette type | 216 |
| 15-2.Mini duct type..... | 217 |
| 15-3.Slim duct type | 218 |
| 15-4.Wall mounted type | 219 |
| 15-5.Floor type..... | 221 |
| 16. Optional parts | 222 |

CONTENTS (continued)

| | |
|---|------------|
| 16-1.Controllers | 222 |
| 16-2.Cassette grille | 224 |
| 16-3.Others | 225 |
| 17. Indoor unit installation precautions | 228 |
| 17-1.Places where prohibited for use | 228 |
| 17-2.Points to remember when installing | 228 |

CONTENTS (continued)

| | |
|--|------------|
| Part 2. OUTDOOR UNIT (2 UNITS TYPE) | 231 |
| 1. Specifications | 232 |
| 2. Dimensions | 234 |
| 2-1. Model: AOYG14KBTA2 | 234 |
| 2-2. Model: AOYG18KBTA2 | 235 |
| 3. Installation space | 236 |
| 3-1. Models: AOYG14KBTA2 and AOYG18KBTA2 | 236 |
| 4. Refrigerant circuit | 239 |
| 4-1. Model: AOYG14KBTA2 | 239 |
| 4-2. Model: AOYG18KBTA2 | 240 |
| 5. Wiring diagram | 241 |
| 5-1. Model: AOYG14KBTA2 | 241 |
| 5-2. Model: AOYG18KBTA2 | 242 |
| 6. Capacity table | 243 |
| 6-1. Combinations | 243 |
| 6-2. Cooling capacity | 245 |
| 6-3. Heating capacity | 262 |
| 7. Capacity compensation rate for pipe length and height difference | 279 |
| 7-1. Model: AOYG14KBTA2 | 279 |
| 7-2. Model: AOYG18KBTA2 | 281 |
| 8. Additional charge calculation | 283 |
| 8-1. Model: AOYG14KBTA2 | 283 |
| 8-2. Model: AOYG18KBTA2 | 283 |
| 9. Airflow | 284 |
| 9-1. Model: AOYG14KBTA2 | 284 |
| 9-2. Model: AOYG18KBTA2 | 284 |
| 10. Operation noise (sound pressure) | 285 |
| 10-1.Noise level curve..... | 285 |
| 10-2.Sound level check point | 286 |
| 11. Electrical characteristics | 287 |
| 12. Safety devices | 288 |
| 13. Accessories | 289 |
| 13-1.Models: AOYG14KBTA2 and AOYG18KBTA2 | 289 |
| 14. Outdoor unit installation precautions | 290 |
| 14-1.Places where prohibited for use | 290 |
| 14-2.Points to remember when installing | 290 |

Part 1. INDOOR UNIT

COMPACT CASSETTE TYPE: WALL MOUNTED TYPE:

AUXG07KVLA
AUXG09KVLA
AUXG12KVLA
AUXG14KVLA

ASYG07KGTB
ASYG09KGTB
ASYG12KGTB
ASYG14KGTB

SLIM DUCT TYPE:

ARXG07KLLAP
ARXG09KLLAP
ARXG12KLLAP
ARXG14KLLAP

ASYG07KMTB
ASYG09KMTB
ASYG12KMTB
ASYG14KMTB

MINI DUCT TYPE:

ARXG07KSLAP
ARXG09KSLAP
ARXG12KSLAP
ARXG14KSLAP

ASYG07KMCC
ASYG09KMCC
ASYG12KMCC
ASYG14KMCC

FLOOR TYPE:

AGYG09KVCA
AGYG09KVCA
AGYG09KVCA

ASYG07KETA
ASYG09KETA
ASYG12KETA
ASYG14KETA

ASYG07KETA-B
ASYG09KETA-B
ASYG12KETA-B
ASYG14KETA-B

1. Model lineup

| Indoor unit | | | |
|--|--|---|--|
|  <p>AUXG07KVLA AUXG09KVLA AUXG12KVLA AUXG14KVLA</p> |  <p>ARXG07KSLAP ARXG09KSLAP ARXG12KSLAP ARXG14KSLAP</p> |  <p>ARXG07KLLAP ARXG09KLLAP ARXG12KLLAP ARXG14KLLAP</p> |  <p>ASYG07KGTB ASYG09KGTB ASYG12KGTB ASYG14KGTB</p> |
|  <p>ASYG07KMTB ASYG09KMTB ASYG12KMTB ASYG14KMTB</p> |  <p>ASYG07KMCC ASYG09KMCC ASYG12KMCC ASYG14KMCC</p> |  <p>ASYG07KETA ASYG09KETA ASYG12KETA ASYG14KETA</p> |  <p>ASYG07KETA-B ASYG09KETA-B ASYG12KETA-B ASYG14KETA-B</p> |
|  <p>AGYG09KVCA AGYG12KVCA AGYG14KVCA</p> | | | |
| Outdoor unit | | | |
|  <p>AOYG14KBTA2</p> | |  <p>AOYG18KBTA2</p> | |

1-1. Connectable indoor units to each outdoor unit

●: Connectable / -: Not connectable

| Outdoor unit | Compact cassette | | | | Mini duct | | | |
|--------------|------------------|-----|-----|-----|----------------|-----|-----|-----|
| | AUXG07—14KVL A | | | | ARXG07—14KSLAP | | | |
| Btu class | 07 | 09 | 12 | 14 | 07 | 09 | 12 | 14 |
| kW class | 2.0 | 2.5 | 3.5 | 4.0 | 2.0 | 2.5 | 3.5 | 4.0 |
| AOYG14KBTA2 | ● | ● | ● | — | ● | ● | ● | — |
| AOYG18KBTA2 | ● | ● | ● | ● | ● | ● | ● | ● |

| Outdoor unit | Slim duct | | | | Wall mounted | | | |
|--------------|----------------|-----|-----|-----|---------------|-----|-----|-----|
| | ARXG07—14KLLAP | | | | KG | | | |
| | | | | | ASYG07—14KGTB | | | |
| Btu class | 07 | 09 | 12 | 14 | 07 | 09 | 12 | 14 |
| kW class | 2.0 | 2.5 | 3.5 | 4.0 | 2.0 | 2.5 | 3.5 | 4.0 |
| AOYG14KBTA2 | ● | ● | ● | — | ● | ● | ● | — |
| AOYG18KBTA2 | ● | ● | ● | ● | ● | ● | ● | ● |

| Outdoor unit | Wall mounted | | | | | | | |
|--------------|--------------------------------|-----|-----|-----|----------------------------------|-----|-----|-----|
| | KM | | | | KE | | | |
| | ASYG07—14KMTB ASYG07—14KMCC | | | | ASYG07—14KETA ASYG07—14KETA-B | | | |
| Btu class | 07 | 09 | 12 | 14 | 07 | 09 | 12 | 14 |
| kW class | 2.0 | 2.5 | 3.5 | 4.0 | 2.0 | 2.5 | 3.5 | 4.0 |
| AOYG14KBTA2 | ● | ● | ● | — | ● | ● | ● | — |
| AOYG18KBTA2 | ● | ● | ● | ● | ● | ● | ● | ● |

| Outdoor unit | Floor | | |
|--------------|---------------|-----|-----|
| | AGYG09—14KVCA | | |
| Btu class | 09 | 12 | 14 |
| kW class | 2.5 | 3.5 | 4.0 |
| AOYG14KBTA2 | ● | ● | — |
| AOYG18KBTA2 | ● | ● | ● |

1-2. Indoor unit connection patterns

■ 2 units

| AOYG14KBTA2 | | | |
|-----------------|--------|--------|-------|
| Combination no. | Unit 1 | Unit 2 | Total |
| 1 | 7 | 7 | 14 |
| 2 | 7 | 9 | 16 |
| 3 | 7 | 12 | 19 |
| 4 | 9 | 9 | 18 |
| 5 | 9 | 12 | 21 |

| AOYG18KBTA2 | | | |
|-----------------|--------|--------|-------|
| Combination no. | Unit 1 | Unit 2 | Total |
| 1 | 7 | 7 | 14 |
| 2 | 7 | 9 | 16 |
| 3 | 7 | 12 | 19 |
| 4 | 7 | 14 | 21 |
| 5 | 9 | 9 | 18 |
| 6 | 9 | 12 | 21 |
| 7 | 9 | 14 | 23 |
| 8 | 12 | 12 | 24 |
| 9 | 12 | 14 | 26 |

Numbers in column Unit 1, 2, and Total indicate the indoor unit capacities as follows:

7: 7,000 Btu/h, 9: 9,000 Btu/h, 12: 12,000 Btu/h, 14: 14,000 Btu/h

2. Specifications

2-1. Compact cassette type

| Model name | | | | AUXG07KVLA | AUXG09KVLA | AUXG12KVLA | AUXG14KVLA | |
|--|------------------------|----------|---------|---------------------------------|---|------------|------------|-----|
| Power supply | | | | 1Ø 230 V ~50 Hz | | | | |
| Available voltage range | | | | 198—264 V | | | | |
| Capacity | | kW class | | 2.0 | 2.5 | 3.5 | 4.0 | |
| Input power | | W | | 18 | | 23 | 28 | |
| Running current | | A | | 0.15 | | 0.19 | 0.22 | |
| Fan | Airflow rate | Cooling | HIGH | m ³ /h | 540 | | 610 | 680 |
| | | | MED | | 490 | | 530 | 580 |
| | | | LOW | | 440 | | 470 | 490 |
| | | | QUIET | | 390 | | 410 | 410 |
| | | Heating | HIGH | | 540 | | 610 | 790 |
| | | | MED | | 490 | | 530 | 680 |
| | | | LOW | | 440 | | 470 | 580 |
| | | | QUIET | | 390 | | 410 | 450 |
| | Type × Q'ty | | | | Turbo fan × 1 | | | |
| | Motor output | | W | | 54 | | | |
| Sound pressure level * | Cooling | HIGH | dB (A) | 33 | | 37 | 38 | |
| | | MED | | 31 | | 34 | 35 | |
| | | LOW | | 29 | | 31 | 32 | |
| | | QUIET | | 27 | | 28 | 29 | |
| | Heating | HIGH | | 34 | | 37 | 43 | |
| | | MED | | 32 | | 34 | 38 | |
| | | LOW | | 29 | | 31 | 34 | |
| | | QUIET | | 27 | | 29 | 30 | |
| Sound power level | Cooling | dB (A) | | 46 | | 49 | 50 | |
| | Heating | | | 47 | | 49 | 55 | |
| Heat exchanger type | Dimensions (H × W × D) | | mm | 210 × 1,310 × 13.3 | | | | |
| | Fin pitch | | mm | 210 × 1,250 × 13.3 | | | | |
| | Rows × Stages | | | 1.2 | | | | |
| | Pipe type | | | Main1: 1 × 10 Main2: 1 × 10 | | | | |
| | Fin type | | | Copper tube Aluminum | | | | |
| Dimensions (H × W × D) | Net | | mm | 245 × 570 × 570 | | | | |
| | Gross | | | 265 × 730 × 625 | | | | |
| Weight | Net | | kg | 15 | | | | |
| | Gross | | | 19 | | | | |
| Connection pipe | Size | Liquid | mm (in) | Ø6.35 (Ø1/4) | | | | |
| | | Gas | | Ø9.52 (Ø3/8) | | | | |
| | Method | | | | Flare | | | |
| Operation range | Cooling | °C | | 18 to 32 | | | | |
| | | %RH | | 80 or less | | | | |
| | Heating | °C | | 16 to 30 | | | | |
| Drain hose | Material | | | | PVC | | | |
| | Size | | mm | VP25 (Ø 25 [I.D.], Ø 32 [O.D.]) | | | | |
| Cassette grille (Grid type: Option) | Model name | | | | UTG-UFYF-W | | | |
| | Material | | | | Polystyrene | | | |
| | Color | | | | White Approximate color of Munsell 9PB 9.1/0.2 | | | |
| | Dimensions (H × W × D) | Net | mm | 49 × 620 × 620 | | | | |
| | | Gross | | 120 × 765 × 755 | | | | |
| | Weight | Net | kg | 2.3 | | | | |
| Gross | | 4.5 | | | | | | |

NOTES:

- The protective function might work when using it outside the operation range.
- *: Sound pressure level:
 - These are the measured values in the manufacturer's anechoic chamber.
 - Because of the surrounding sound environment, the sound levels measured in actual installation conditions might be higher than the specified values here.

2-2. Mini duct type

| Model name | | | | ARXG07KSLAP | ARXG09KSLAP | ARXG12KSLAP | ARXG14KSLAP | |
|-----------------------------|------------------------|---------|------------|--------------------------|-------------|-------------|-------------|-----|
| Power supply | | | | 1Ø 230 V ~50 Hz | | | | |
| Available voltage range | | | | 198—264 V | | | | |
| Capacity | | | kW class | 2.0 | 2.5 | 3.5 | 4.0 | |
| Input power | Fan | HIGH | W | 33 | 40 | 47 | 72 | |
| | | MED | | 23 | 23 | 26 | 44 | |
| | | LOW | | 20 | 20 | 22 | 30 | |
| | | QUIET | | 18 | 18 | 18 | 18 | |
| Running current | | | A | 0.29 | 0.33 | 0.38 | 0.58 | |
| Fan | Airflow rate | Cooling | HIGH | m ³ /h | 550 | 600 | 650 | 800 |
| | | | MED | | 440 | 450 | 490 | 640 |
| | | | LOW | | 390 | 400 | 430 | 530 |
| | | | QUIET | | 360 | 360 | 360 | 360 |
| | | Heating | HIGH | | 550 | 600 | 650 | 800 |
| | | | MED | | 440 | 450 | 490 | 640 |
| | | | LOW | | 390 | 400 | 430 | 530 |
| | | | QUIET | | 360 | 360 | 360 | 360 |
| | Type × Q'ty | | | Sirocco fan × 2 | | | | |
| | Motor output | | | W | 75 | | | |
| Recommended static pressure | | | Pa | 0 to 30 | | | 0 to 50 | |
| Sound pressure level * | Cooling | HIGH | dB (A) | 29 | 29 | 31 | 35 | |
| | | MED | | 26 | 26 | 27 | 30 | |
| | | LOW | | 24 | 24 | 25 | 27 | |
| | | QUIET | | 23 | 23 | 23 | 23 | |
| | Heating | HIGH | | 29 | 29 | 31 | 35 | |
| | | MED | | 26 | 26 | 27 | 30 | |
| | | LOW | | 24 | 24 | 25 | 27 | |
| | | QUIET | | 23 | 23 | 23 | 23 | |
| Sound power level | Cooling | dB (A) | 52 | 54 | 55 | 60 | | |
| | Heating | | 53 | 56 | 57 | 62 | | |
| Heat exchanger type | Dimensions (H × W × D) | | mm | 336 × 490 × 26.6 | | | | |
| | Fin pitch | | mm | 1.3 | | | | |
| | Rows × Stages | | | 2 × 16 | | | | |
| | Pipe type | | | Copper tube | | | | |
| | Fin type | | | Aluminum | | | | |
| Enclosure | Material | | | Steel sheet | | | | |
| | Color | | | — | | | | |
| Dimensions (H × W × D) | Net | | mm | 198 × 700 × 450 | | | | |
| | Gross | | | 250 × 930 × 580 | | | | |
| Weight | Net | | kg | 15.5 | | | | |
| | Gross | | | 19.0 | | | | |
| Connection pipe | Size | Liquid | mm (in) | Ø6.35 (Ø1/4) | | | | |
| | | Gas | | Ø9.52 (Ø3/8) | | | | |
| | Method | | | | Flare | | | |
| Operation range | Cooling | °C | 18 to 32 | | | | | |
| | | %RH | 80 or less | | | | | |
| | Heating | °C | 16 to 30 | | | | | |
| Drain hose | Material | | | Hard PVC | | | | |
| | Size | | mm | Ø 25 (I.D.), Ø 32 (O.D.) | | | | |

NOTES:

- Values mentioned in the table are based on the following conditions:
 - Static pressure: 10 Pa
- The protective function might work when using it outside the operation range.
- *: Sound pressure level:
 - These are the measured values in the manufacturer's anechoic chamber.
 - Because of the surrounding sound environment, the sound levels measured in actual installation conditions might be higher than the specified values here.

2-3. Slim duct type

| Model name | | | | ARXG07KLLAP | ARXG09KLLAP | ARXG12KLLAP | ARXG14KLLAP | | |
|-----------------------------|--------------|------------------------|-----------------|-------------------|-------------|--------------------------|------------------|-----|--|
| Power supply | | | | 1Ø 230 V ~50 Hz | | | | | |
| Available voltage range | | | | 198—264 V | | | | | |
| Capacity | | kW class | | 2.0 | 2.5 | 3.5 | 4.0 | | |
| Input power | | W | | 33 | 49 | 58 | 76 | | |
| Running current | | A | | 0.33 | 0.30 | 0.35 | 0.51 | | |
| Fan | Airflow rate | Cooling | HIGH | m ³ /h | 550 | 600 | 650 | 800 | |
| | | | MED | | 490 | 550 | 600 | 700 | |
| | | LOW | 470 | | 500 | 550 | 600 | | |
| | | QUIET | 440 | | 450 | 480 | 480 | | |
| | Heating | HIGH | 550 | | 600 | 650 | 800 | | |
| | | MED | 490 | | 550 | 600 | 700 | | |
| | | LOW | 470 | | 500 | 550 | 600 | | |
| | | QUIET | 440 | | 450 | 480 | 480 | | |
| | Type × Q'ty | | Sirocco fan × 2 | | | | | | |
| | Motor output | | W | | 80 | 81 | | | |
| Recommended static pressure | | | | Pa | | | | | |
| | | | | 0 to 90 | | | | | |
| Sound pressure level * | Cooling | HIGH | dB (A) | 28 | 28 | 29 | 32 | | |
| | | MED | | 26 | 27 | 28 | 30 | | |
| | | LOW | | 25 | 26 | 27 | 28 | | |
| | | QUIET | | 24 | 25 | 26 | 26 | | |
| | Heating | HIGH | | 28 | 28 | 29 | 32 | | |
| | | MED | | 26 | 26 | 28 | 30 | | |
| | | LOW | | 25 | 25 | 27 | 28 | | |
| | | QUIET | | 24 | 24 | 24 | 25 | | |
| Sound power level | | Cooling | | dB (A) | | 57 | 58 | 60 | |
| | | Heating | | | | 57 | 58 | 60 | |
| Heat exchanger type | | Dimensions (H × W × D) | | mm | | 294 × 500 × 26.6 | 294 × 500 × 39.9 | | |
| | | Fin pitch | | mm | | 1.3 | | | |
| | | Rows × Stages | | | | 2 × 14 | 3 × 14 | | |
| | | Pipe type | | | | Copper tube | | | |
| | | Fin type | | | | Aluminum | | | |
| Enclosure | | Material | | | | Steel sheet | | | |
| | | Color | | | | — | | | |
| Dimensions (H × W × D) | | Net | | mm | | 198 × 700 × 620 | | | |
| | | Gross | | | | 276 × 968 × 772 | | | |
| Weight | | Net | | kg | | 16 | 17 | | |
| | | Gross | | | | 21 | 22 | | |
| Connection pipe | | Size | | Liquid | | mm (in) | | | |
| | | | | Gas | | | | | |
| | | Method | | | | Ø6.35 (Ø1/4) | | | |
| | | | | | | Ø9.52 (Ø3/8) | | | |
| | | | | | | Flare | | | |
| Operation range | | Cooling | | °C | | 18 to 32 | | | |
| | | | | %RH | | 80 or less | | | |
| | | Heating | | °C | | 16 to 30 | | | |
| Drain hose | | Material | | | | PVC | | | |
| | | Size | | mm | | Ø 25 (I.D.), Ø 32 (O.D.) | | | |

NOTES:

- Values mentioned in the table are based on the following conditions:
 - Static pressure: 25 Pa
- The protective function might work when using it outside the operation range.
- *: Sound pressure level:
 - These are the measured values in the manufacturer's anechoic chamber.
 - Because of the surrounding sound environment, the sound levels measured in actual installation conditions might be higher than the specified values here.

2-4. Wall mounted type

| Model name | | | | ASYG07KGTB | ASYG09KGTB | ASYG12KGTB | ASYG14KGTB | | | |
|-------------------------|------------------------|--------------|---------|---|------------|--|------------|-----|--|--|
| Power supply | | | | 1Ø 230 V ~50 Hz | | | | | | |
| Available voltage range | | | | 198—264 V | | | | | | |
| Capacity | | kW class | | 2.0 | 2.5 | 3.5 | 4.0 | | | |
| Input power | | | | W | | | | | | |
| Running current | | | | A | | | | | | |
| Fan | Airflow rate | Cooling | HIGH | m ³ /h | 650 | 700 | 700 | 770 | | |
| | | | MED | | 540 | 560 | 560 | 600 | | |
| | | | LOW | | 430 | 430 | 430 | 450 | | |
| | | | QUIET | | 270 | 270 | 270 | 280 | | |
| | | Heating | HIGH | | 720 | 750 | 770 | 800 | | |
| | | | MED | | 580 | 610 | 640 | 660 | | |
| | | | LOW | | 460 | 470 | 520 | 520 | | |
| | | | QUIET | | 330 | 330 | 330 | 340 | | |
| | | Type × Q'ty | | | | Crossflow fan × 1 | | | | |
| | | Motor output | | | | W | | | | |
| | | | | 30 | | 49 | | | | |
| Sound pressure level *1 | Cooling | | HIGH | dB (A) | 38 | 40 | 40 | 43 | | |
| | | | MED | | 33 | 34 | 35 | 36 | | |
| | | | LOW | | 29 | 29 | 30 | 30 | | |
| | | | QUIET | | 21 | 21 | 21 | 21 | | |
| | Heating | | HIGH | | 41 | 42 | 42 | 44 | | |
| | | | MED | | 35 | 36 | 38 | 39 | | |
| | | | LOW | | 31 | 31 | 33 | 33 | | |
| | | | QUIET | | 22 | 22 | 22 | 24 | | |
| Sound power level | Cooling | | dB (A) | 54 | 55 | 56 | 57 | | | |
| | Heating | | | 56 | 57 | 58 | 59 | | | |
| Heat exchanger type | Dimensions (H × W × D) | | mm | Main1: 210 × 670 × 26.6 Main2: 112 × 670 × 20.0 | | Main1: 210 × 670 × 26.6 Main2: 112 × 670 × 20.0 Sub: 84 × 670 × 13.3 | | | | |
| | Fin pitch | | mm | Main1: 1.2, Main2: 1.1 | | Main1: 1.2, Main2: 1.1, Sub: 1.4 | | | | |
| | Rows × Stages | | | Main1: 2 × 10, Main2: 2 × 7 | | Main1: 2 × 10, Main2: 2 × 7, Sub: 1 × 4 | | | | |
| | Pipe type | | | Copper tube | | | | | | |
| Enclosure | Material | | | Aluminum | | | | | | |
| | Color | | | Polystyrene | | | | | | |
| | | | | White + Pearl white (painted) Approximate color of Munsell N 9.25/ | | | | | | |
| Dimensions (H × W × D) | Net | | mm | 270 × 834 × 215 | | | | | | |
| | Gross | | | 277 × 914 × 332 | | | | | | |
| Weight | Net | | kg | 10.0 | | | | | | |
| | Gross | | | 12.5 | | 13.0 | | | | |
| Connection pipe | Size | Liquid | mm (in) | Ø6.35 (Ø1/4) | | | | | | |
| | | Gas | | Ø9.52 (Ø3/8) | | | | | | |
| | Method | | | | Flare | | | | | |
| Drain hose | Material | | | PP + HDPE | | | | | | |
| | Size | | mm | Ø13.8 (I.D.), Ø15.0 to Ø16.8 (O.D.) | | | | | | |
| Operation range | Cooling | | °C | 18 to 32 | | | | | | |
| | Heating | | %RH | 80 or less | | | | | | |
| | | | °C | 16 to 30 | | | | | | |
| Remote controller type | | | | Wireless (Option: Wired, Mobile app*2 [FGLair™]) | | | | | | |

NOTES:

- The protective function might work when using it outside the operation range.
- *1: Sound pressure level:
 - These are the measured values in the manufacturer's anechoic chamber.
 - Because of the surrounding sound environment, the sound levels measured in actual installation conditions might be higher than the specified values here.
- *2: Available on Google Play™ store or on App Store®. Optional WLAN adapter is also required. For details, refer to the setting manual.

| Model name | | | | ASYG07KMTB | ASYG09KMTB | ASYG12KMTB | ASYG14KMTB | |
|---|------------------------|--|---|--|------------|------------|--|-----|
| Power supply | | | | 1Ø 230 V ~50 Hz | | | | |
| Available voltage range | | | | 198—264 V | | | | |
| Capacity | | | kW class | 2.0 | 2.5 | 3.5 | 4.0 | |
| Input power | | | W | 23 | 27 | 27 | 33 | |
| Running current | | | A | 0.20 | 0.24 | 0.24 | 0.30 | |
| Fan | Airflow rate | Cooling | HIGH | m ³ /h | 650 | 700 | 700 | 770 |
| | | | MED | | 540 | 560 | 560 | 600 |
| | | | LOW | | 430 | 430 | 430 | 450 |
| | | | QUIET | | 270 | 270 | 270 | 280 |
| | | Heating | HIGH | | 720 | 750 | 770 | 800 |
| | | | MED | | 580 | 610 | 640 | 660 |
| | | | LOW | | 460 | 470 | 520 | 520 |
| | | | QUIET | | 330 | 330 | 330 | 340 |
| | Type × Q'ty | | | Crossflow fan × 1 | | | | |
| | Motor output | | | W | 30 | | | 49 |
| Sound pressure level *1 | Cooling | HIGH | dB (A) | 38 | 40 | 40 | 43 | |
| | | MED | | 33 | 34 | 35 | 36 | |
| | | LOW | | 29 | 29 | 30 | 30 | |
| | | QUIET | | 21 | 21 | 21 | 21 | |
| | Heating | HIGH | | 41 | 42 | 42 | 44 | |
| | | MED | | 35 | 36 | 38 | 39 | |
| | | LOW | | 31 | 31 | 33 | 33 | |
| | | QUIET | | 22 | 22 | 22 | 24 | |
| Sound power level | Cooling | dB (A) | 54 | 55 | 55 | 57 | | |
| | Heating | | 56 | 57 | 58 | 59 | | |
| Heat exchanger type | Dimensions (H × W × D) | | mm | Main1: 210 × 670 × 26.6 Main2: 112 × 670 × 20.0 | | | Main1: 210 × 670 × 26.6 Main2: 112 × 670 × 20.0 Sub: 84 × 670 × 13.3 | |
| | Fin pitch | | mm | Main1: 1.2, Main2: 1.1 | | | Main1: 1.2, Main2: 1.1 Sub: 1.4 | |
| | Rows × Stages | | | Main1: 2 × 10, Main2: 2 × 7 | | | Main1: 2 × 10 Main2: 2 × 7 Sub: 1 × 4 | |
| | Pipe type | | | Copper tube | | | | |
| Fin type | | | Aluminum | | | | | |
| Enclosure | Material | | Polystyrene | | | | | |
| | Color | | White + Pearl white (painted) Approximate color of Munsell N 9.25/ | | | | | |
| Dimensions (H × W × D) | Net | mm | 270 × 834 × 222 | | | | | |
| | Gross | | 277 × 914 × 332 | | | | | |
| Weight | Net | kg | 10.0 | | | | | |
| | Gross | | 12.5 | | | 13.0 | | |
| Connection pipe | Size | Liquid | mm (in) | Ø6.35 (Ø1/4) | | | | |
| | | Gas | | Ø9.52 (Ø3/8) | | | | |
| | Method | Flare | | | | | | |
| Drain hose | Material | | PP + HDPE | | | | | |
| | Size | | mm | Ø13.8 (I.D.), Ø15.0 to Ø16.8 (O.D.) | | | | |
| Operation range | Cooling | °C | 18 to 32 | | | | | |
| | | %RH | 80 or less | | | | | |
| Remote controller type | Heating | °C | 16 to 30 | | | | | |
| | | Wireless (Option: Wired, Mobile app*2 [FGLair™]) | | | | | | |
| NOTES: | | | | | | | | |
| <ul style="list-style-type: none"> The protective function might work when using it outside the operation range. *1: Sound pressure level: <ul style="list-style-type: none"> These are the measured values in the manufacturer's anechoic chamber. Because of the surrounding sound environment, the sound levels measured in actual installation conditions might be higher than the specified values here. *2: Available on Google Play™ store or on App Store®. Optional WLAN adapter is also required. For details, refer to the setting manual. | | | | | | | | |

| Model name | | | | ASYG07KMCC | ASYG09KMCC | ASYG12KMCC | ASYG14KMCC | |
|---|------------------------|---------|---|---|------------|------------|--|-----|
| Power supply | | | | 1Ø 230 V ~50 Hz | | | | |
| Available voltage range | | | | 198—264 V | | | | |
| Capacity | | | kW class | 2.0 | 2.5 | 3.5 | 4.0 | |
| Input power | | | W | 23 | 27 | 27 | 33 | |
| Running current | | | A | 0.20 | 0.24 | 0.24 | 0.30 | |
| Fan | Airflow rate | Cooling | HIGH | m ³ /h | 650 | 700 | 700 | 770 |
| | | | MED | | 540 | 560 | 560 | 600 |
| | | | LOW | | 430 | 430 | 430 | 450 |
| | | | QUIET | | 320 | 320 | 320 | 310 |
| | | Heating | HIGH | | 720 | 750 | 780 | 820 |
| | | | MED | | 580 | 610 | 640 | 660 |
| | | | LOW | | 460 | 470 | 520 | 520 |
| | | | QUIET | | 330 | 330 | 330 | 340 |
| | Type × Q'ty | | | Crossflow fan × 1 | | | | |
| | Motor output | | | W | 30 | 30 | 30 | 49 |
| Sound pressure level *1 | Cooling | HIGH | dB (A) | 38 | 40 | 40 | 43 | |
| | | MED | | 33 | 34 | 35 | 36 | |
| | | LOW | | 29 | 29 | 30 | 30 | |
| | | QUIET | | 21 | 21 | 21 | 21 | |
| | Heating | HIGH | | 41 | 42 | 42 | 44 | |
| | | MED | | 35 | 36 | 38 | 39 | |
| | | LOW | | 31 | 31 | 33 | 33 | |
| | | QUIET | | 22 | 22 | 22 | 24 | |
| Heat exchanger type | Dimensions (H × W × D) | | mm | Main1: 210 × 670 × 26.6 Main2: 112 × 670 × 20 | | | Main1: 210 × 670 × 26.6 Main2: 112 × 670 × 20 Sub: 84 × 670 × 13.3 | |
| | Fin pitch | | | Man1: 1.2, Main2: 1.1 | | | Man1: 1.2, Main2: 1.1, Sub: 1.4 | |
| | Rows × Stages | | | Main1: 2 × 10, Main2: 2 × 7 | | | Main1: 2 × 10, Main2: 2 × 7, Sub: 1 × 4 | |
| | Pipe type | | | Copper tube | | | | |
| | Fin type | | | Aluminum | | | | |
| Enclosure | Material | | Polystyrene | | | | | |
| | Color | | White + Pearl white (painted) Approximate color of Munsell N 9.25/ | | | | | |
| Dimensions (H × W × D) | Net | mm | 270 × 834 × 222 | | | | | |
| | Gross | | 277 × 914 × 332 | | | | | |
| Weight | Net | kg | 10.0 | | | | | |
| | Gross | | 12.5 | | | 13.0 | | |
| Connection pipe | Size | mm (in) | Ø 6.35 (Ø 1/4) | | | | | |
| | Method | | Ø 9.52 (Ø 3/8) | | | | | |
| Drain hose | Material | Flare | | | | | | |
| | Tip diameter | mm | PP+HDPE | | | | | |
| Operation range | Cooling | °C | Ø 13.8 (I.D.), Ø 15.0 to Ø 16.8 (O.D.) | | | | | |
| | Heating | %RH | 18 to 32 | | | | | |
| Remote controller type | Cooling | °C | 80 or less | | | | | |
| | Heating | °C | 16 to 30 | | | | | |
| Remote controller type | | | | Wireless (Wired, Mobile app*2 [FGLair™] [option]) | | | | |
| NOTES: | | | | | | | | |
| <ul style="list-style-type: none"> The protective function might work when using it outside the operation range. *1: Sound pressure level: <ul style="list-style-type: none"> These are the measured values in the manufacturer's anechoic chamber. Because of the surrounding sound environment, the sound levels measured in actual installation conditions might be higher than the specified values here. *2: Available on Google Play™ store or on App Store®. Optional WLAN adapter is also required. For details, refer to the setting manual. | | | | | | | | |

| Model name | | | ASYG07KETA ASYG07KETA-B | ASYG09KETA ASYG09KETA-B | ASYG12KETA ASYG12KETA-B | ASYG14KETA ASYG14KETA-B | |
|---|------------------------|--|--|--|----------------------------|--|-----|
| Power supply | | | 1Ø 230 V ~50 Hz | | | | |
| Available voltage range | | | 198—264 V | | | | |
| Capacity | | kW class | 2.0 | 2.5 | 3.5 | 4.0 | |
| Input power | | W | 23 | 27 | 27 | 33 | |
| Running current | | A | 0.20 | 0.24 | 0.24 | 0.30 | |
| Fan | Airflow rate | Cooling | HIGH | 650 | 700 | 700 | 770 |
| | | | MED | 540 | 560 | 560 | 600 |
| | | | LOW | 430 | 430 | 430 | 450 |
| | | | QUIET | 270 | 270 | 270 | 280 |
| | | Heating | HIGH | 720 | 750 | 770 | 800 |
| | | | MED | 580 | 610 | 640 | 660 |
| | | | LOW | 460 | 470 | 520 | 520 |
| | | | QUIET | 330 | 330 | 330 | 340 |
| | Type × Q'ty | | Crossflow fan × 1 | | | | |
| | Motor output | | W | 30 | | | 49 |
| Sound pressure level *1 | Cooling | HIGH | 38 | 40 | 40 | 43 | |
| | | MED | 33 | 34 | 35 | 36 | |
| | | LOW | 29 | 29 | 30 | 30 | |
| | | QUIET | 21 | 21 | 21 | 21 | |
| | Heating | HIGH | 41 | 42 | 42 | 44 | |
| | | MED | 35 | 36 | 38 | 39 | |
| | | LOW | 31 | 31 | 33 | 33 | |
| | | QUIET | 22 | 22 | 22 | 24 | |
| Sound power level | | dB (A) | 55 | 55 | 55 | 57 | |
| | | | 56 | 57 | 58 | 59 | |
| Heat exchanger type | Dimensions (H × W × D) | | mm | Main1: 210 × 670 × 26.6 Main2: 112 × 670 × 20.0 | | Main1: 210 × 670 × 26.6 Main2: 112 × 670 × 20.0 Sub: 84 × 670 × 13.3 | |
| | Fin pitch | | mm | Main1: 1.2, Main2: 1.1 | | Main1: 1.2, Main2: 1.1 Sub: 1.4 | |
| | Rows × Stages | | | Main1: 2 × 10, Main2: 2 × 7 | | Main1: 2 × 10 Main2: 2 × 7 Sub: 1 × 4 | |
| | Pipe type | | | Copper tube | | | |
| | Fin type | | | Aluminum | | | |
| Enclosure | Material | | Polystyrene | | | | |
| | Color | | KETA; White + Pearl white (painted) Approximate color of Munsell N 9.25/ KETA-B; Dark Gray + Silver (painted) Approximate color of Munsell 0.5P 3.5/0.2 | | | | |
| Dimensions (H × W × D) | Net | mm | 295 × 950 × 230 | | | | |
| | Gross | | 284 × 1,027 × 357 | | | | |
| Weight | Net | kg | 11.0 | | 11.5 | | |
| | Gross | | 14.5 | | 15.0 | | |
| Connection pipe | Size | Liquid Gas | mm (in) | Ø6.35 (Ø1/4) | | | |
| | Method | | | Ø9.52 (Ø3/8) | | | |
| Drain hose | Material | | Flare PP + HDPE | | | | |
| | Size | | mm | Ø 13.8 (I.D.), Ø 15.0 to Ø 16.8 (O.D.) | | | |
| Operation range | Cooling | °C | 18 to 32 | | | | |
| | | %RH | 80 or less | | | | |
| Remote controller type | Heating | °C | 16 to 30 | | | | |
| | | Wireless (Option: Wired, Mobile app*2 [FGLair™]) | | | | | |
| NOTES: | | | | | | | |
| <ul style="list-style-type: none"> The protective function might work when using it outside the operation range. *1: Sound pressure level: <ul style="list-style-type: none"> These are the measured values in the manufacturer's anechoic chamber. Because of the surrounding sound environment, the sound levels measured in actual installation conditions might be higher than the specified values here. *2: Available on Google Play™ store or on App Store®. Optional WLAN adapter is also required. For details, refer to the setting manual. | | | | | | | |

2-5. Floor type

| Model name | | | AGYG09KVCA | AGYG12KVCA | AGYG14KVCA | | |
|-------------------------|------------------------|--------------|--|--------------------|------------|-----|--|
| Power supply | | | 230 V ~ 50 Hz | | | | |
| Available voltage range | | | 198—264 V | | | | |
| Capacity | kW class | | 2.5 | 3.5 | 4.0 | | |
| Input power | W | | 16 | 20 | 23 | | |
| Running current | | | A | 0.18 | 0.20 | | |
| Fan | Airflow rate | Cooling | HIGH | 530 | 600 | 650 | |
| | | | MED | 440 | 490 | 520 | |
| | | | LOW | 360 | 380 | 400 | |
| | | | QUIET | 270 | 270 | 270 | |
| | | Heating | HIGH | 530 | 600 | 650 | |
| | | | MED | 460 | 510 | 540 | |
| | | | LOW | 380 | 410 | 430 | |
| | | | QUIET | 270 | 270 | 270 | |
| | | Type × Q'ty | | Cross flow fan × 2 | | | |
| | | Motor output | | W | | | |
| | | 16 × 2 | | | | | |
| Sound pressure level * | Cooling | HIGH | 39 | 42 | 44 | | |
| | | MED | 34 | 36 | 38 | | |
| | | LOW | 28 | 30 | 31 | | |
| | | QUIET | 22 | 22 | 22 | | |
| | Heating | HIGH | 39 | 42 | 44 | | |
| | | MED | 35 | 38 | 39 | | |
| | | LOW | 30 | 32 | 33 | | |
| | | QUIET | 22 | 22 | 22 | | |
| Sound power level | Cooling | dB (A) | | 52 | 55 | 56 | |
| | Heating | | | 52 | 55 | 56 | |
| Heat exchanger type | Dimensions (H × W × D) | | mm | | | | |
| | Fin pitch | | 378 × 550 × 26.6 | | | | |
| | Rows × Stages | | 1.2 | | | | |
| | Pipe type | | 2 × 18 | | | | |
| | Fin type | | Copper tube | | | | |
| Enclosure | Material | | Aluminum | | | | |
| | Color | | Polystyrene | | | | |
| Dimensions (H × W × D) | Net | | White | | | | |
| | Gross | | 600 × 740 × 200 | | | | |
| Weight | Net | | 700 × 820 × 310 | | | | |
| | Gross | | 14 | | | | |
| Connection pipe | Size | Liquid | kg | | | | |
| | | Gas | 18 | | | | |
| | Method | | mm (in) | | | | |
| Drain hose | Material | | Ø6.35 (Ø1/4) | | | | |
| | Tip diameter | | mm | | | | |
| Operation range | Cooling | | °C | | | | |
| | Heating | | %RH | | | | |
| Remote controller type | | | Wireless (Wired, Simple mobile app [option]) | | | | |

NOTES:

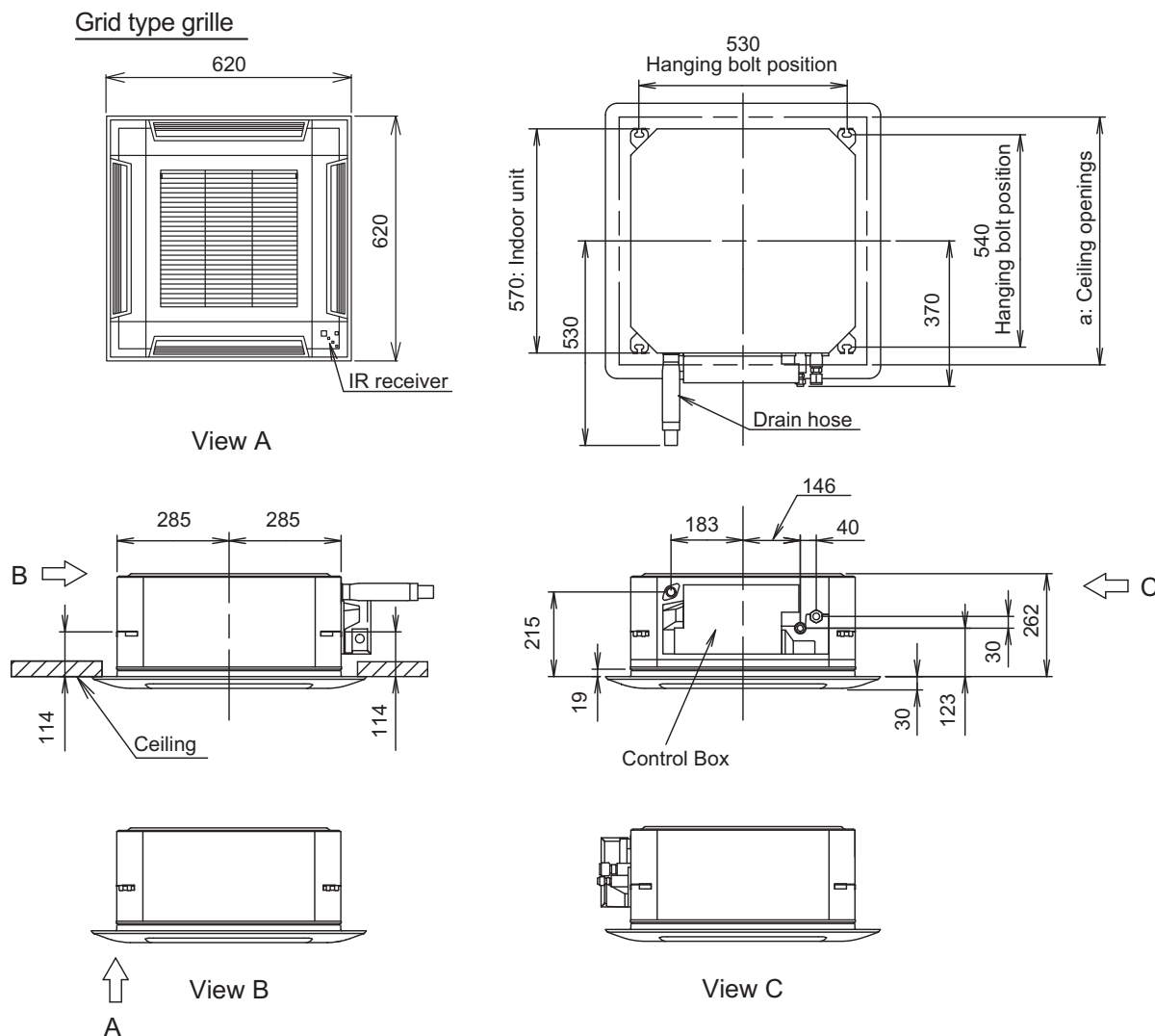
- Specifications are based on the following conditions:
 - Cooling: Indoor temperature of 27 °CDB/19 °CWB, and outdoor temperature of 35 °CDB/24 °CWB.
 - Heating: Indoor temperature of 20 °CDB/15 °CWB, and outdoor temperature of 7 °CDB/6 °CWB.
 - Pipe length: 5 m, Height difference: 0 m. (Between outdoor unit and indoor unit.)
- Protective function might work when using it outside the operation range.
- *: Sound pressure level:
 - Measured values in manufacturer's anechoic chamber.
 - Because of the surrounding sound environment, the sound levels measured in actual installation conditions might be higher than the specified values here.

3. Dimensions

3-1. Compact cassette type

■ Models: AUXG07KVLA, AUXG09KVLA, AUXG12KVLA, and AUXG14KVLA

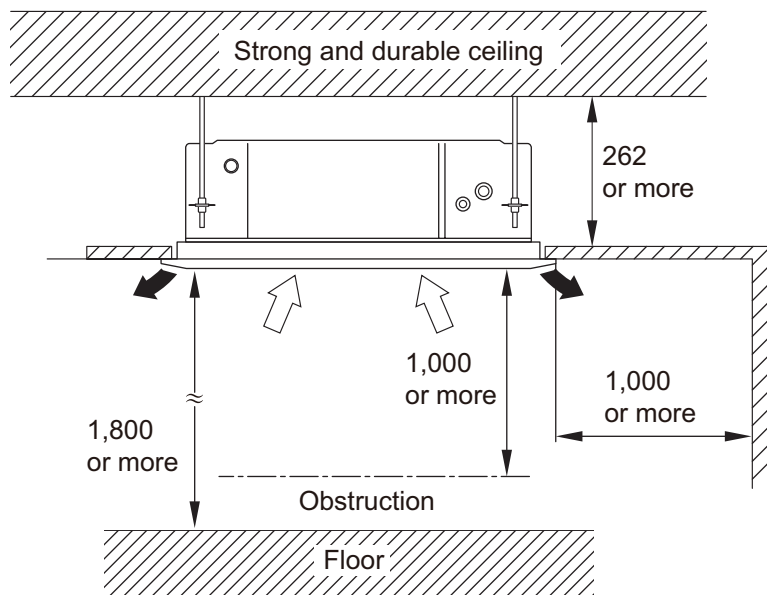
Unit: mm



| a: Ceiling openings | | |
|--------------------------------------|----|------------|
| Cassette grille (Option [Grid type]) | mm | 580 to 610 |

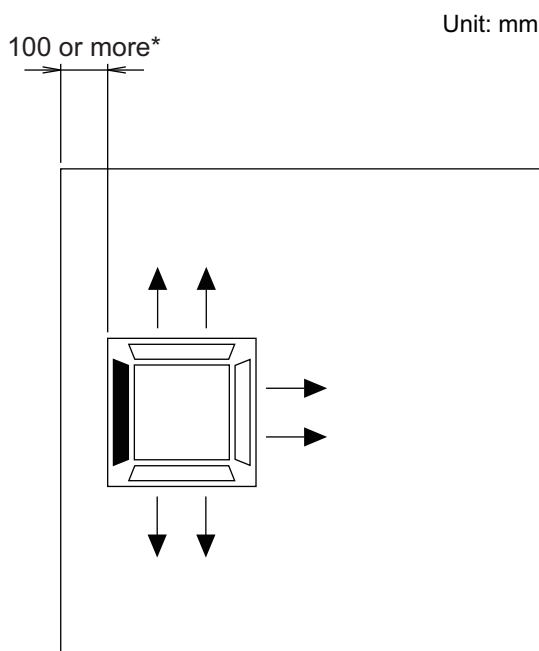
● Installation space requirement

Unit: mm



| Maximum height from floor to ceiling (Unit: mm) | | |
|---|------------------|---------------------|
| | 07 and 09 models | 12 or larger models |
| Standard | 2,700 | |
| High ceiling | — | 3,000 |

3-way direction setting:



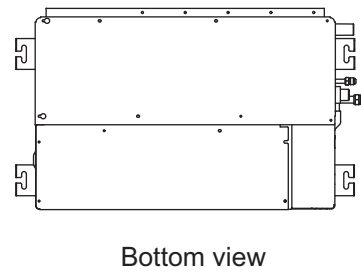
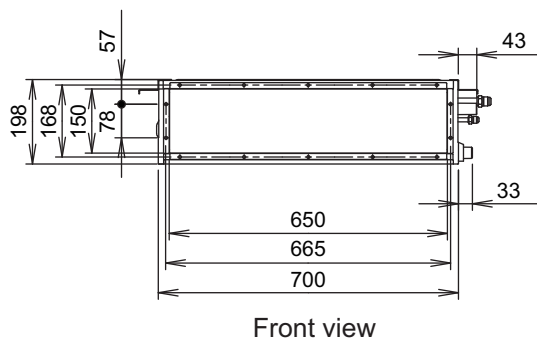
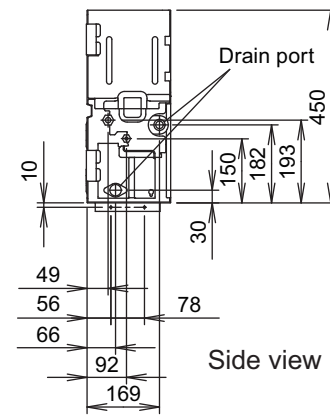
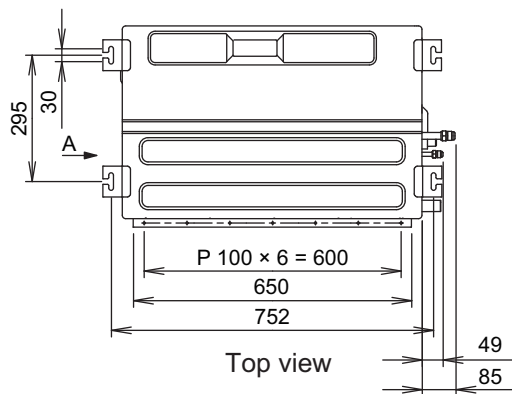
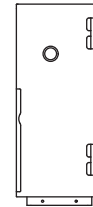
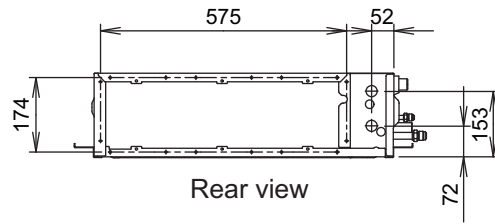
NOTES:

- To set "3-direction", optional Air outlet shutter plate (UTR-YDZB) must be installed, and the "outlet-direction" need to be switched to "3-way" by remote controller.
*When installing the indoor unit, be careful about the maintenance space.
- In 3-way outlet mode, changing of ceiling height setting by function setting 20 is prohibited.
(Ceiling height setting [function setting 20] is allowed to be changed only in 4-way outlet mode.)

3-2. Mini duct type

■ Models: ARXG07KSLAP, ARXG09KSLAP, ARXG12KSLAP, and ARXG14KSLAP

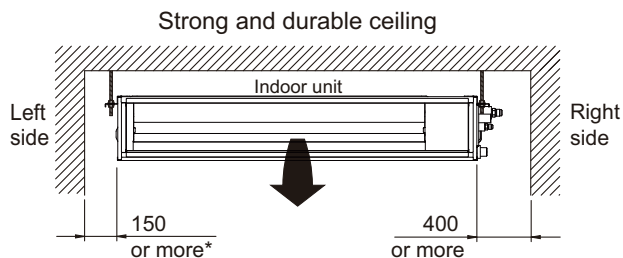
Unit: mm



● Installation space requirement

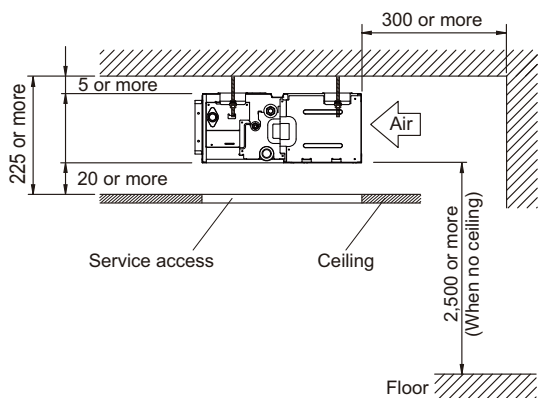
Provide sufficient installation space for product safety.

Unit: mm

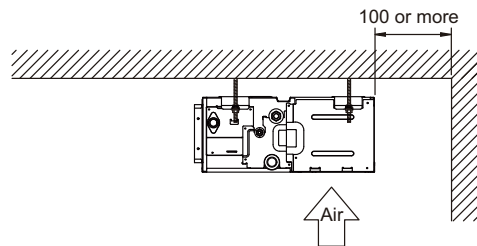


*: 400 or more when drain from drain pipe

• When intaking air from back:



• When intaking air from bottom:

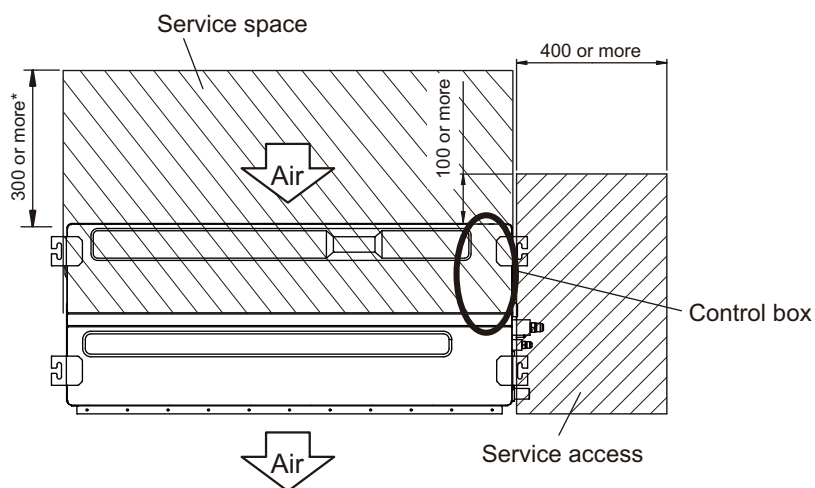


● Maintenance space requirement

For future maintenance and service access, provide sufficient maintenance space.

NOTE: Do not place any wiring or illumination in the maintenance space, as they will impede service.

Unit: mm



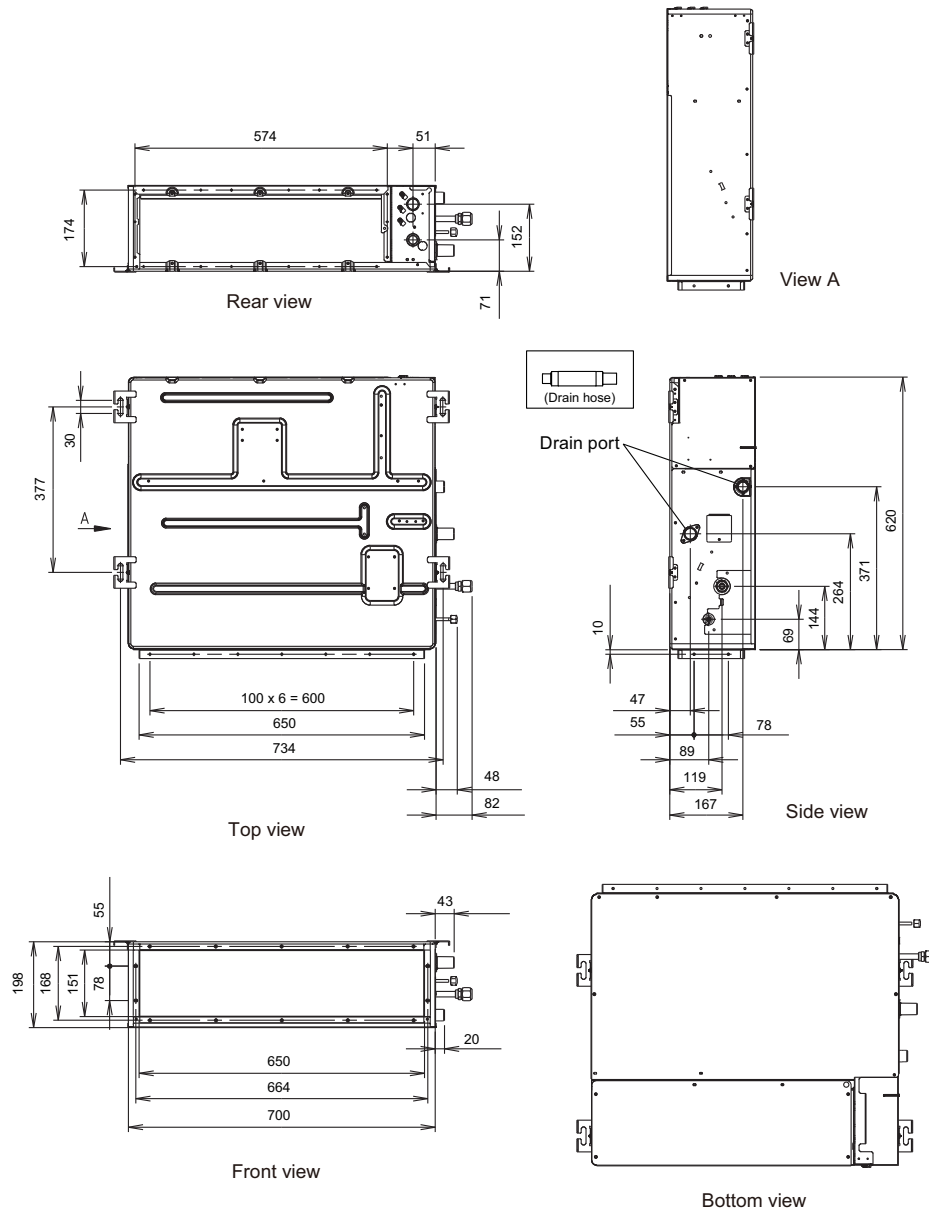
*: More than 100 when intaking air from bottom

Top view

3-3. Slim duct type

■ Models: ARXG07KLLAP, ARXG09KLLAP, ARXG12KLLAP, and ARXG14KLLAP

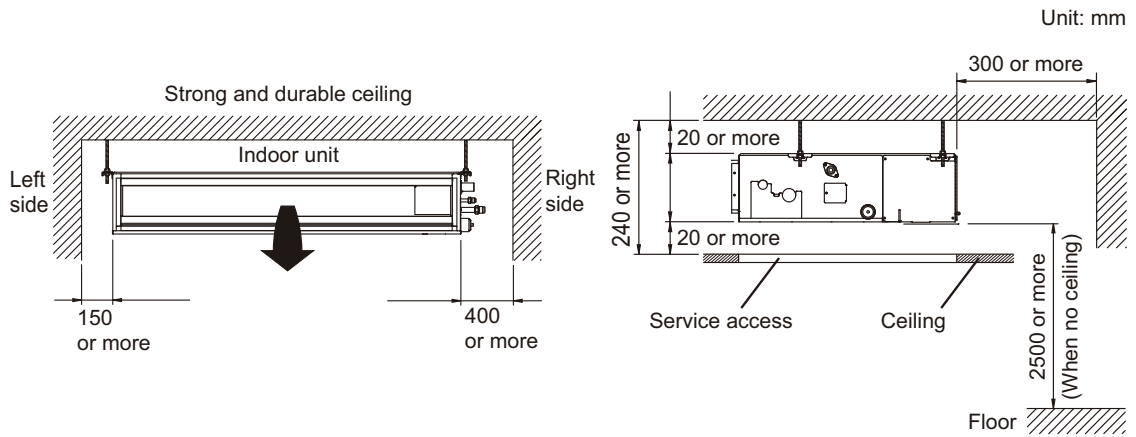
Unit: mm



● Installation space requirement

Provide sufficient installation space for product safety.

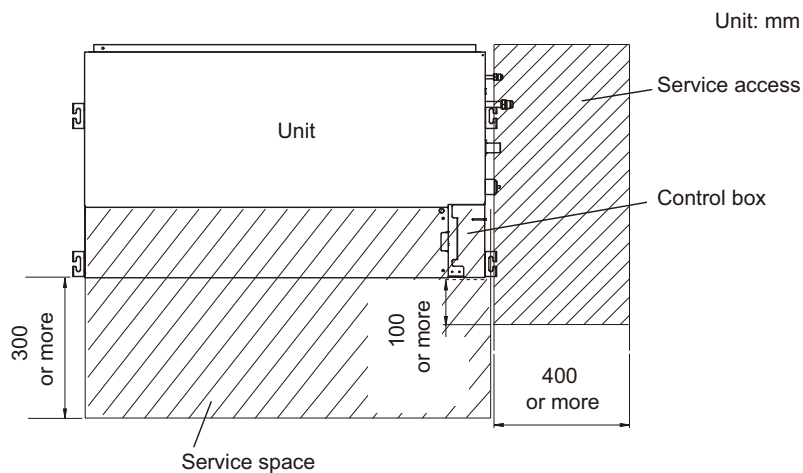
In ceiling-concealed installations:



● Maintenance space requirement

For future maintenance and service access, provide sufficient maintenance space.

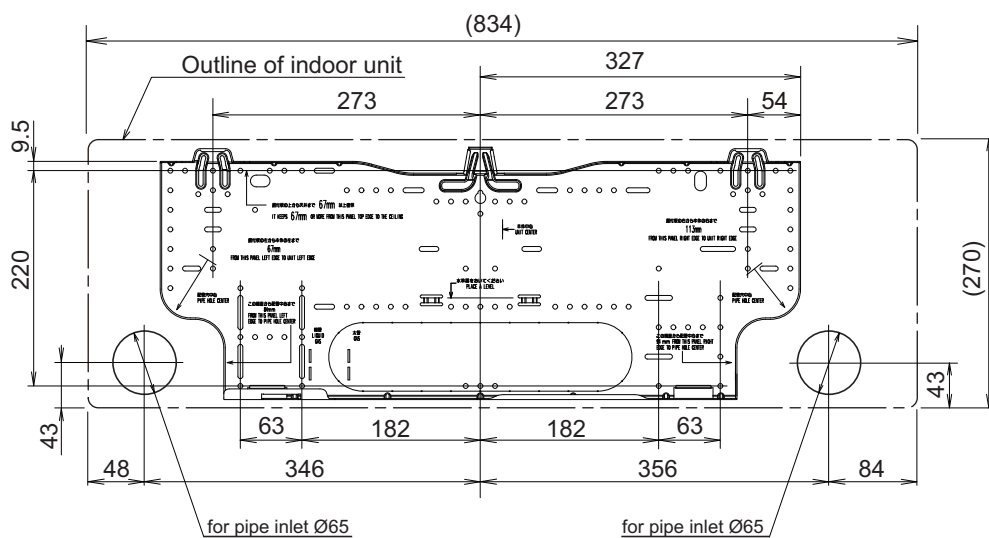
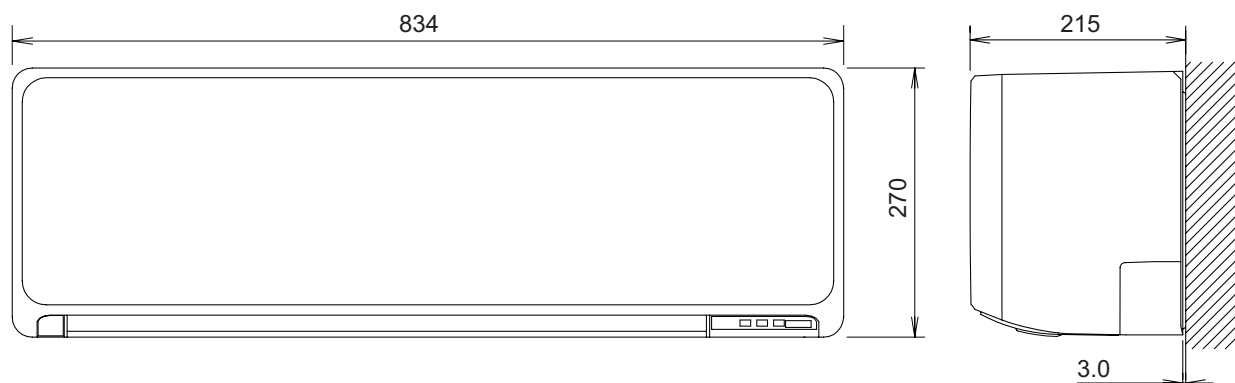
NOTE: Do not place any wiring or illumination in the maintenance space, as they will impede service.



3-4. Wall mounted type

■ Models: ASYG07KGTB, ASYG09KGTB, ASYG12KGTB, and ASYG14KGTB

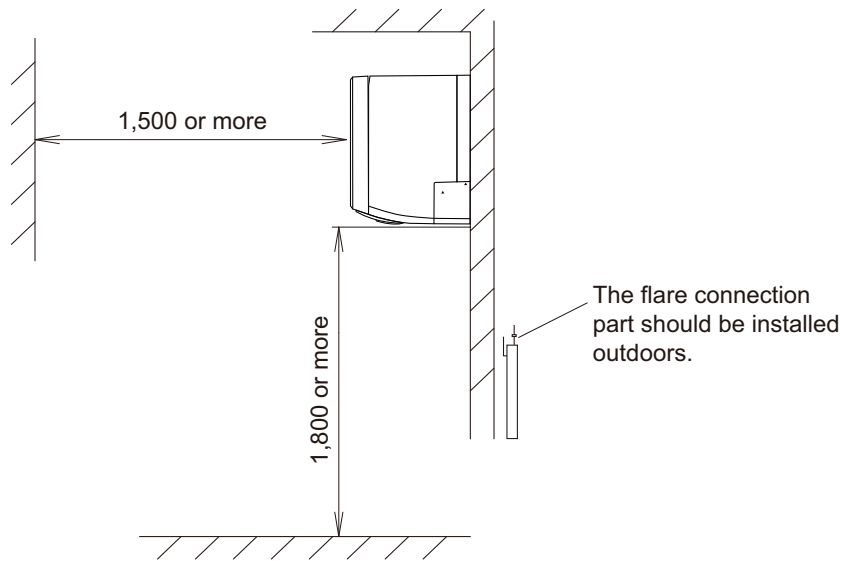
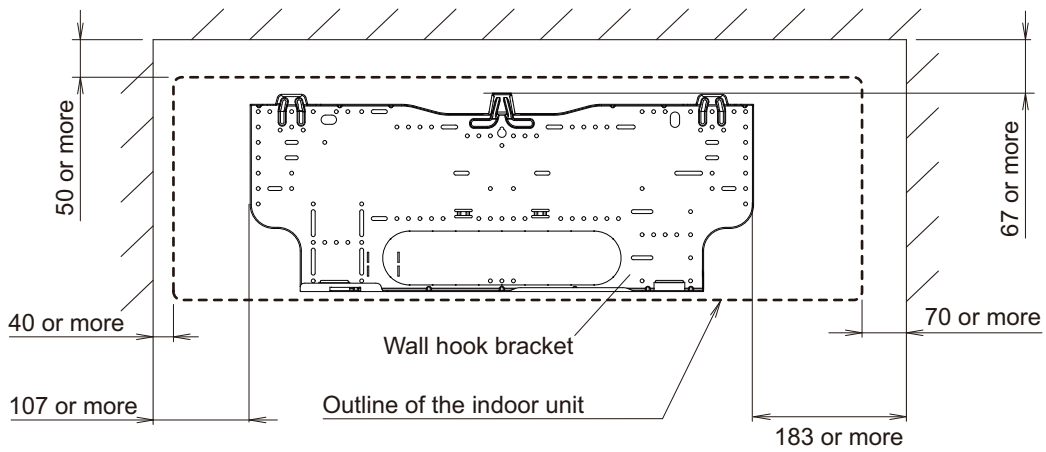
Unit: mm



● Installation space requirement

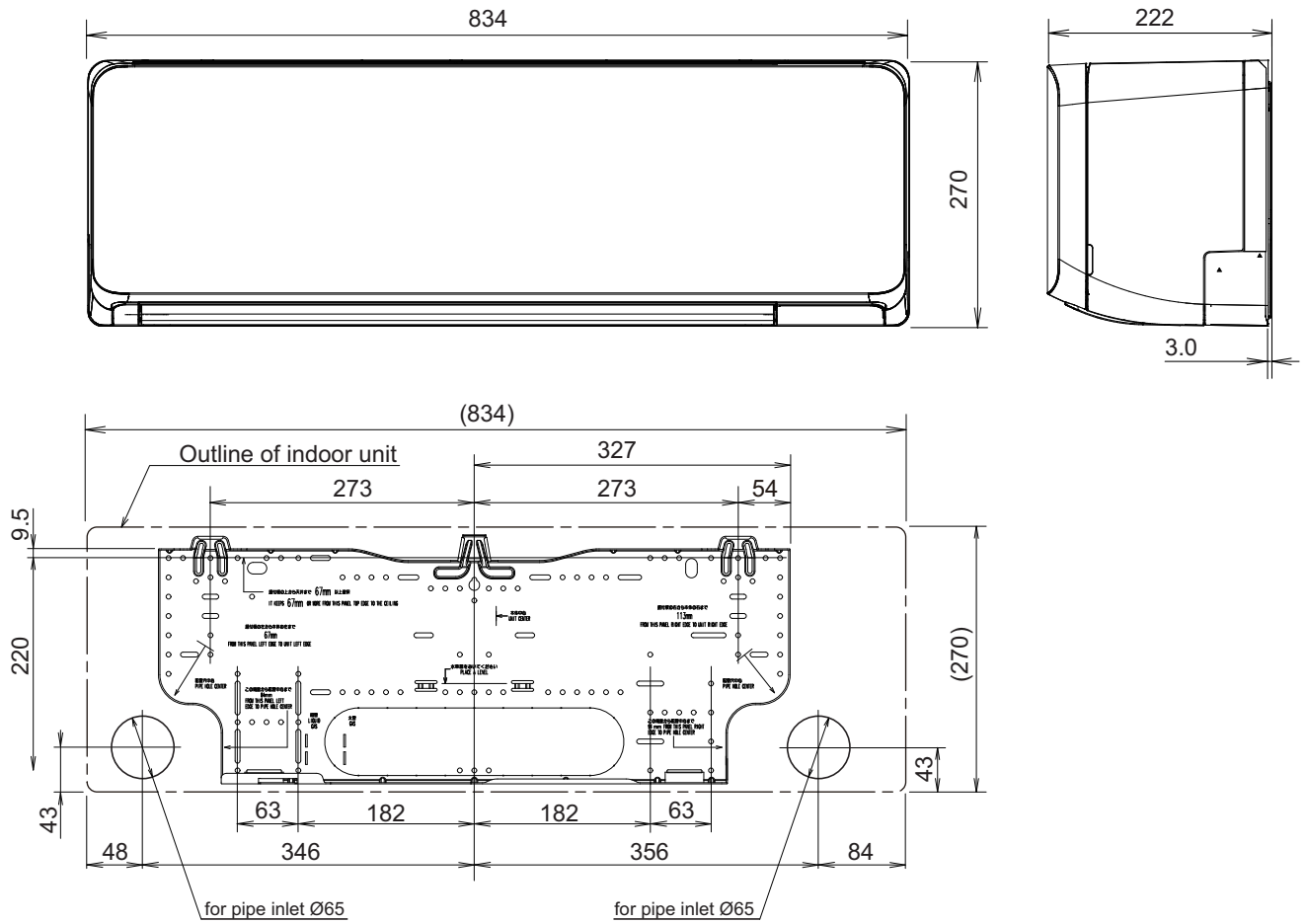
Provide sufficient installation space for product safety.

Unit: mm



■ Models: ASYG07KMTB, ASYG09KMTB, ASYG12KMTB, ASYG14KMTB, ASYG07KMCC, ASYG09KMCC, ASYG12KMCC, and ASYG14KMCC

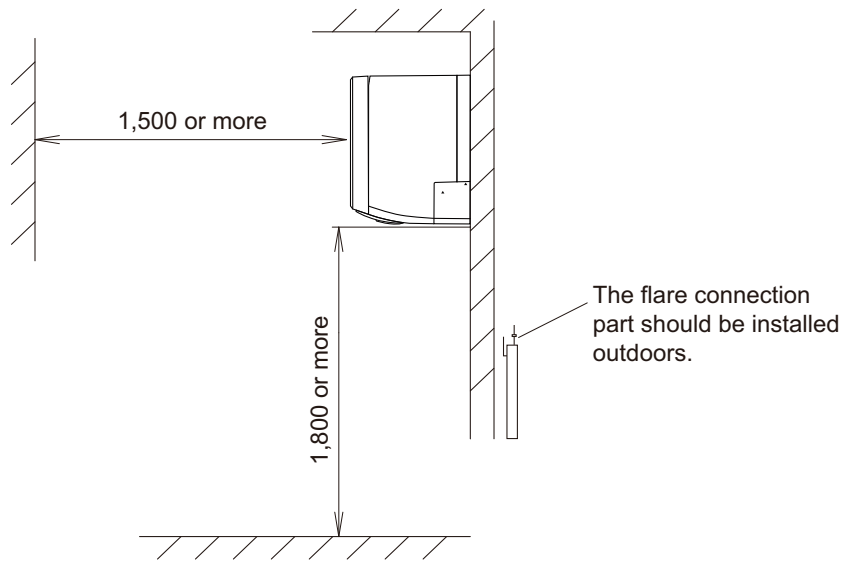
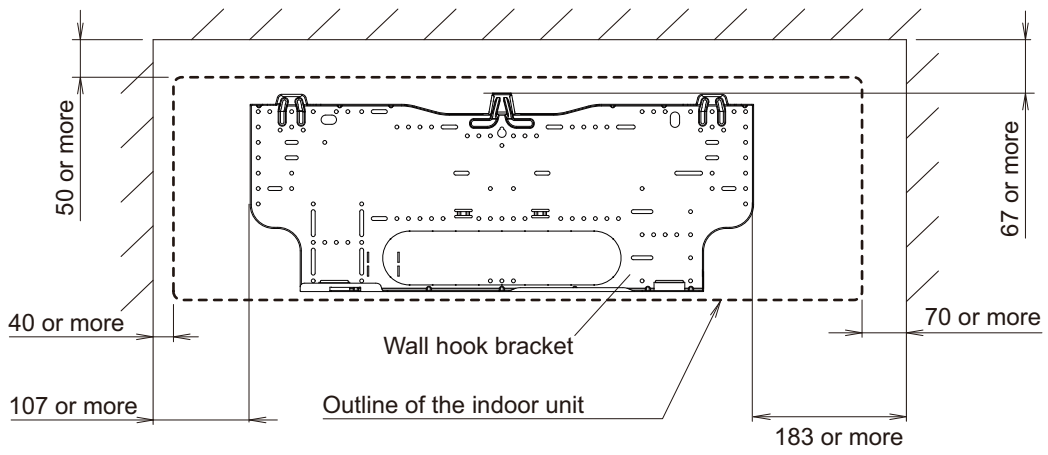
Unit: mm



● Installation space requirement

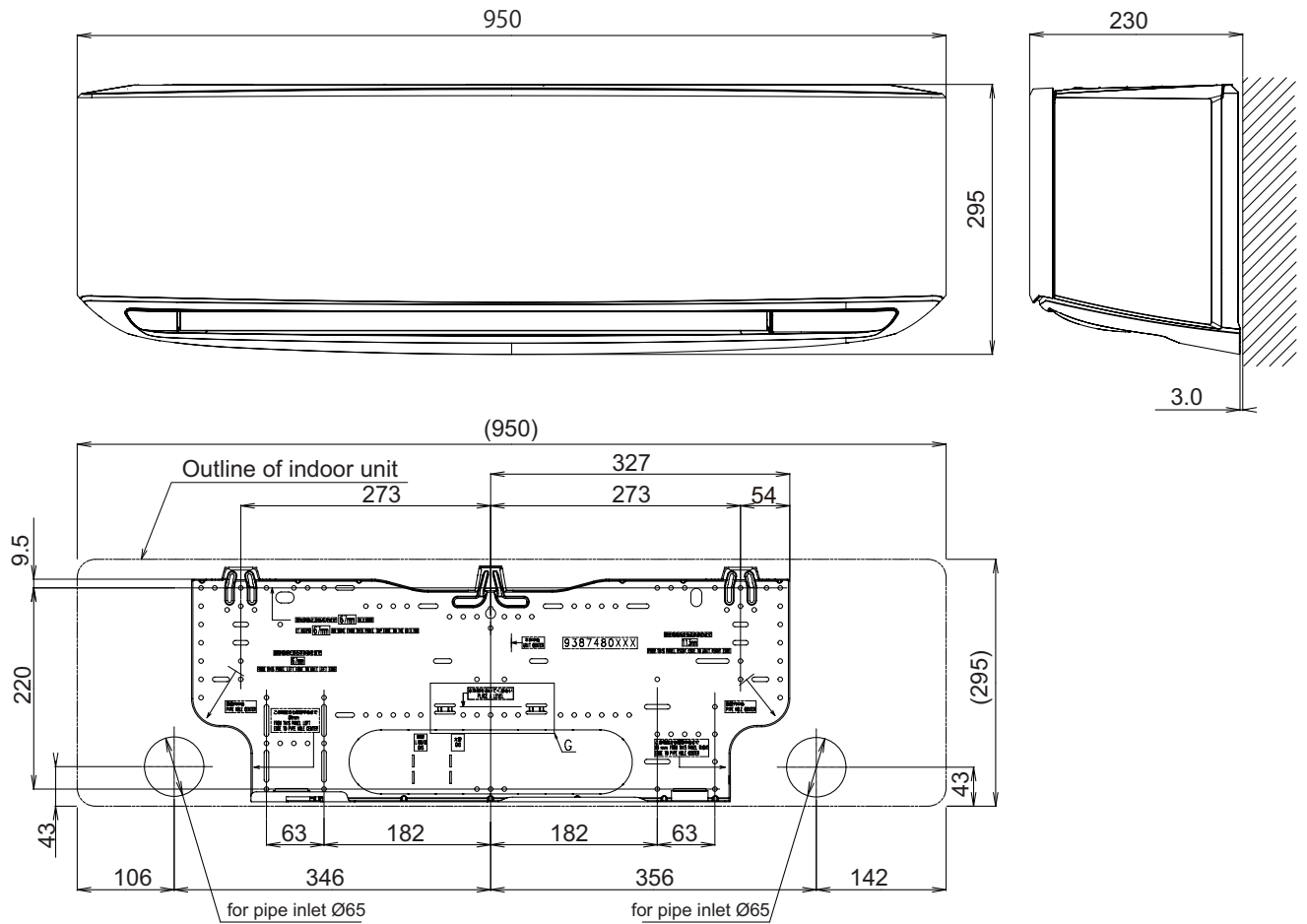
Provide sufficient installation space for product safety.

Unit: mm



■ Models: ASYG07KETA, ASYG09KETA, ASYG12KETA, ASYG14KETA, ASYG07KETA-B, ASYG09KETA-B, ASYG12KETA-B, and ASYG14KETA-B

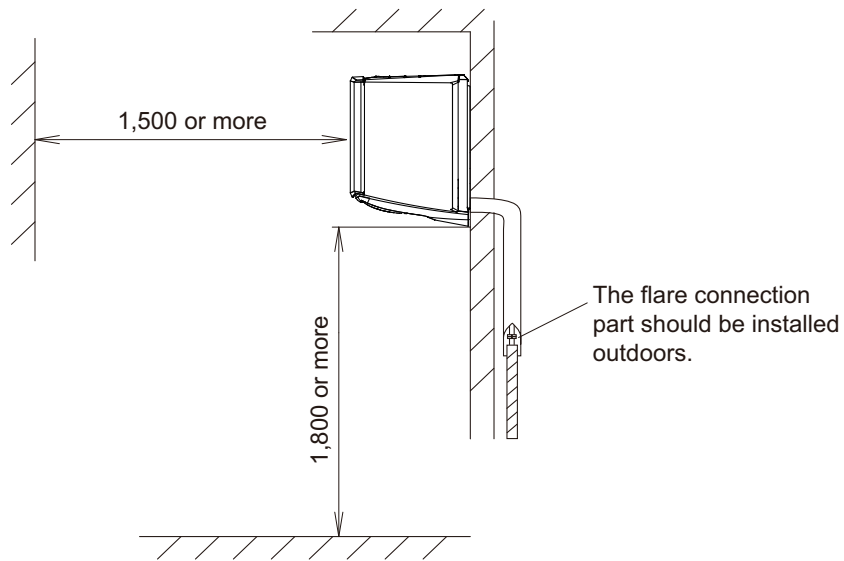
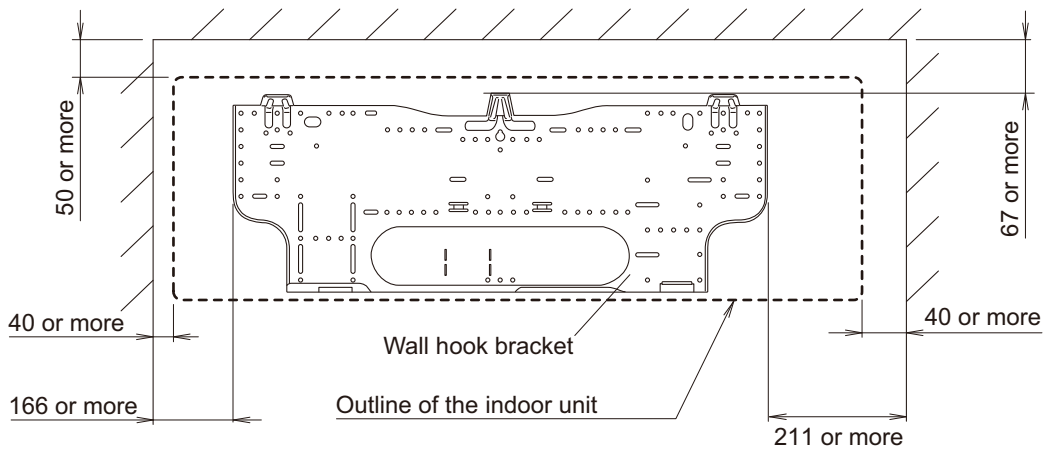
Unit: mm



● Installation space requirement

Provide sufficient installation space for product safety.

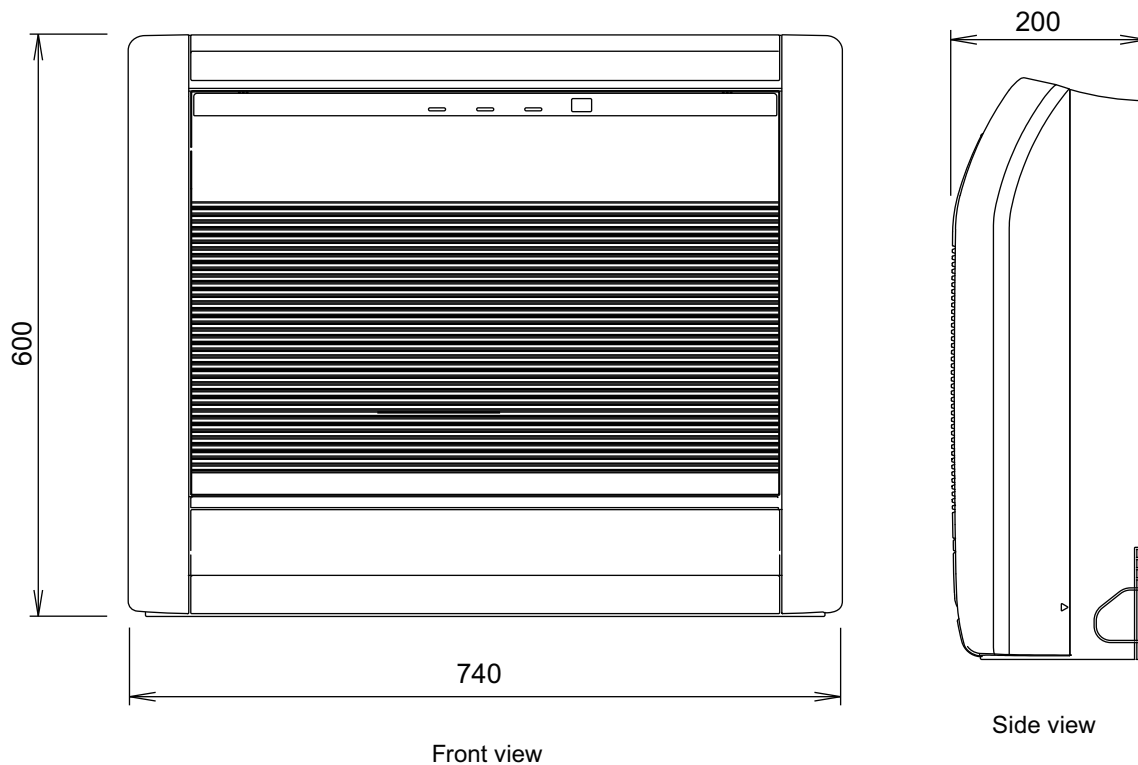
Unit: mm



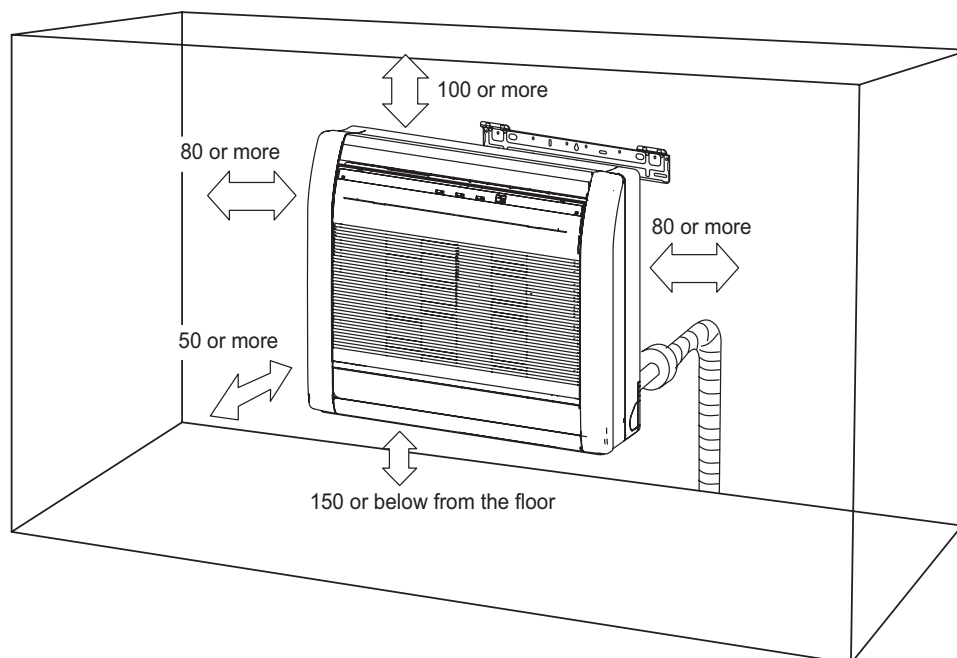
3-5. Floor type

■ Models: AGYG09KVCA, AGYG12KVCA, and AGYG14KVCA

Unit: mm



● Installation space



⚠ WARNING

- The appliance shall be installed, operated and stored in a room with a floor area larger than X m².

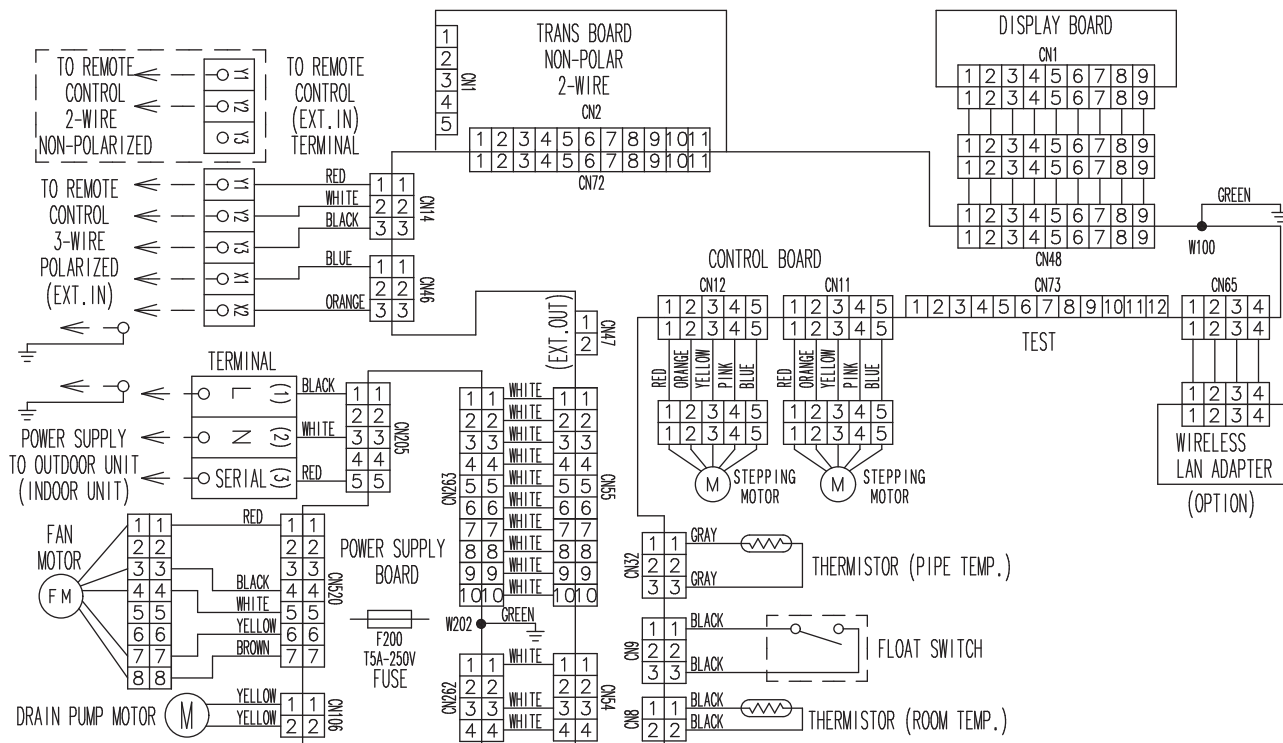
| Amount of refrigerant charge M (kg) | Minimum room area X (m ²) |
|--|--|
| $M \leq 1.22$ | - |
| $1.22 < M \leq 1.23$ | 12.99 |
| $1.23 < M \leq 1.50$ | 19.31 |
| $1.50 < M \leq 1.75$ | 26.28 |
| $1.75 < M \leq 2.0$ | 34.33 |
| $2.0 < M \leq 2.5$ | 53.63 |
| $2.5 < M \leq 3.0$ | 77.23 |
| $3.0 < M \leq 3.5$ | 105.12 |
| $3.5 < M \leq 4.0$ | 137.29 |

(IEC 60335-2-40)

4. Wiring diagrams

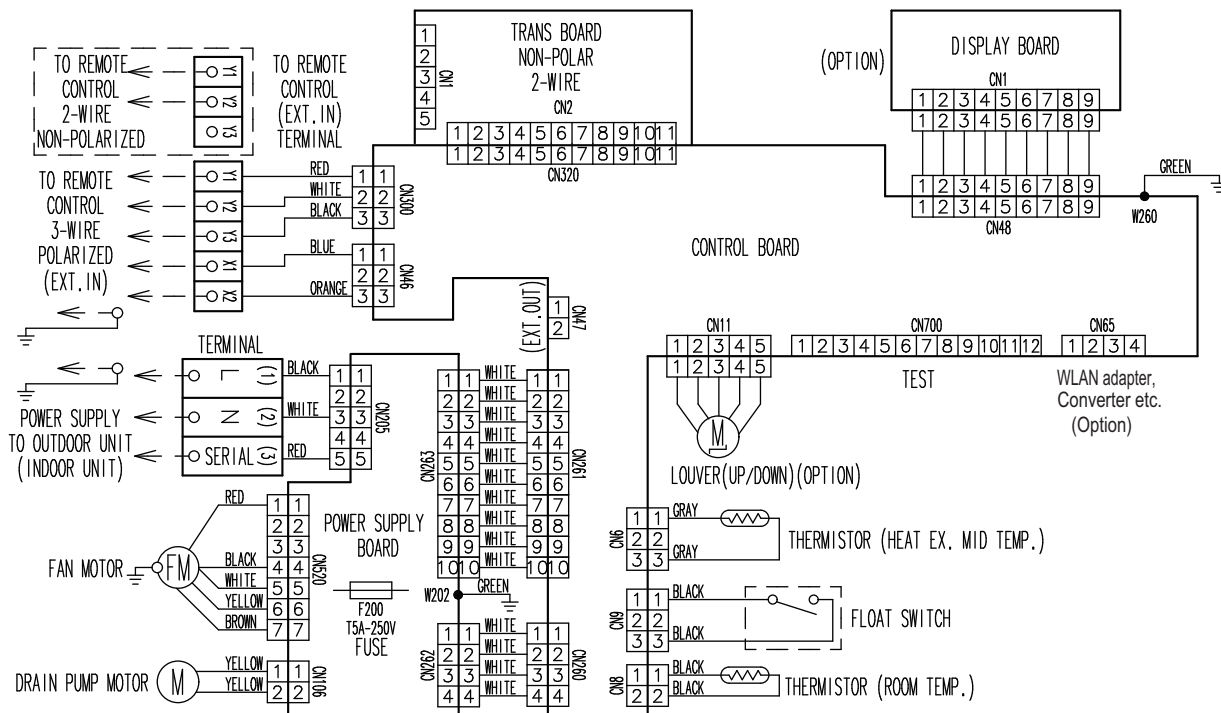
4-1. Compact cassette type

■ Models: AUXG07KVLA, AUXG09KVLA, AUXG12KVLA, and AUXG14KVLA



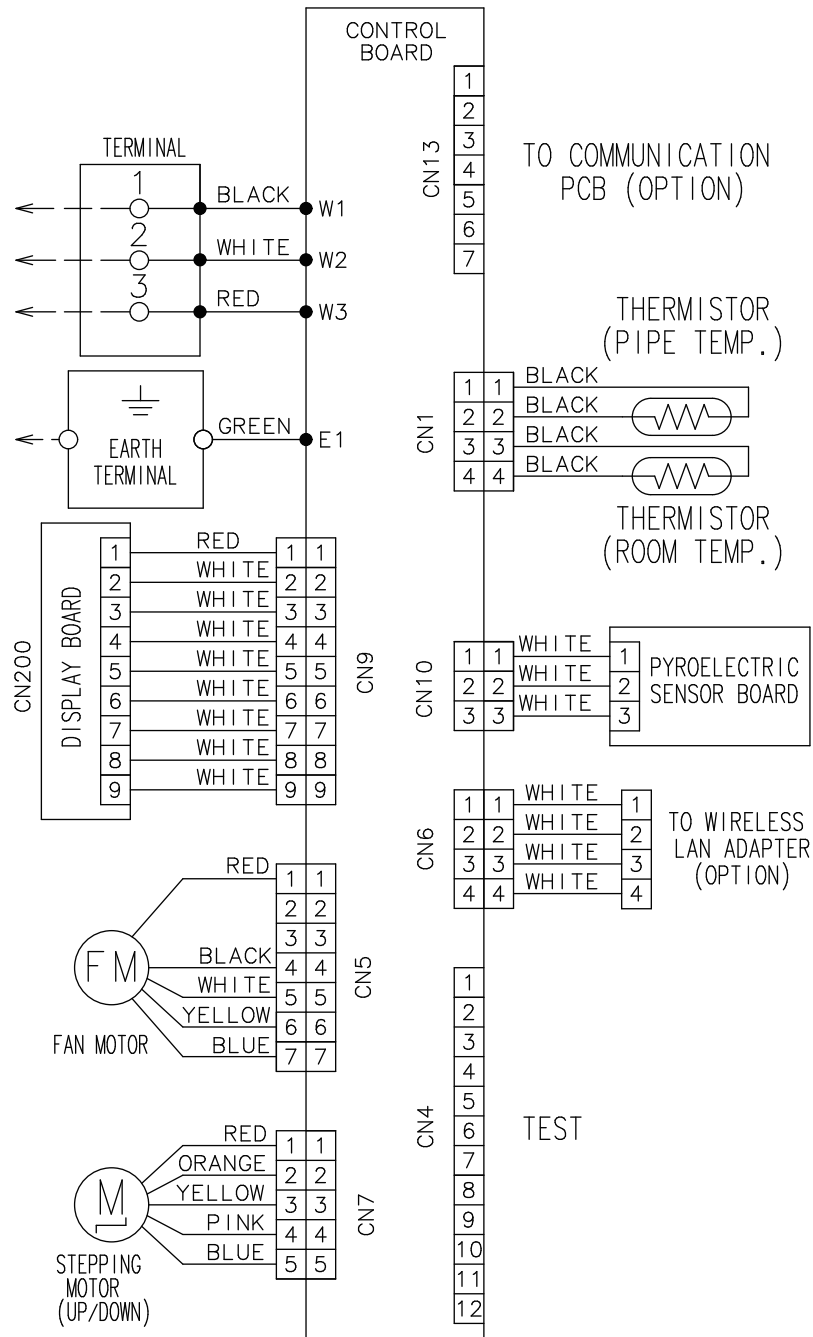
4-2. Mini duct type and Slim duct type

- Models: ARXG07KSLAP, ARXG09KSLAP, ARXG12KSLAP, ARXG14KSLAP, ARXG07KLLAP, ARXG09KLLAP, ARXG12KLLAP, and ARXG14KLLAP



4-3. Wall mounted type

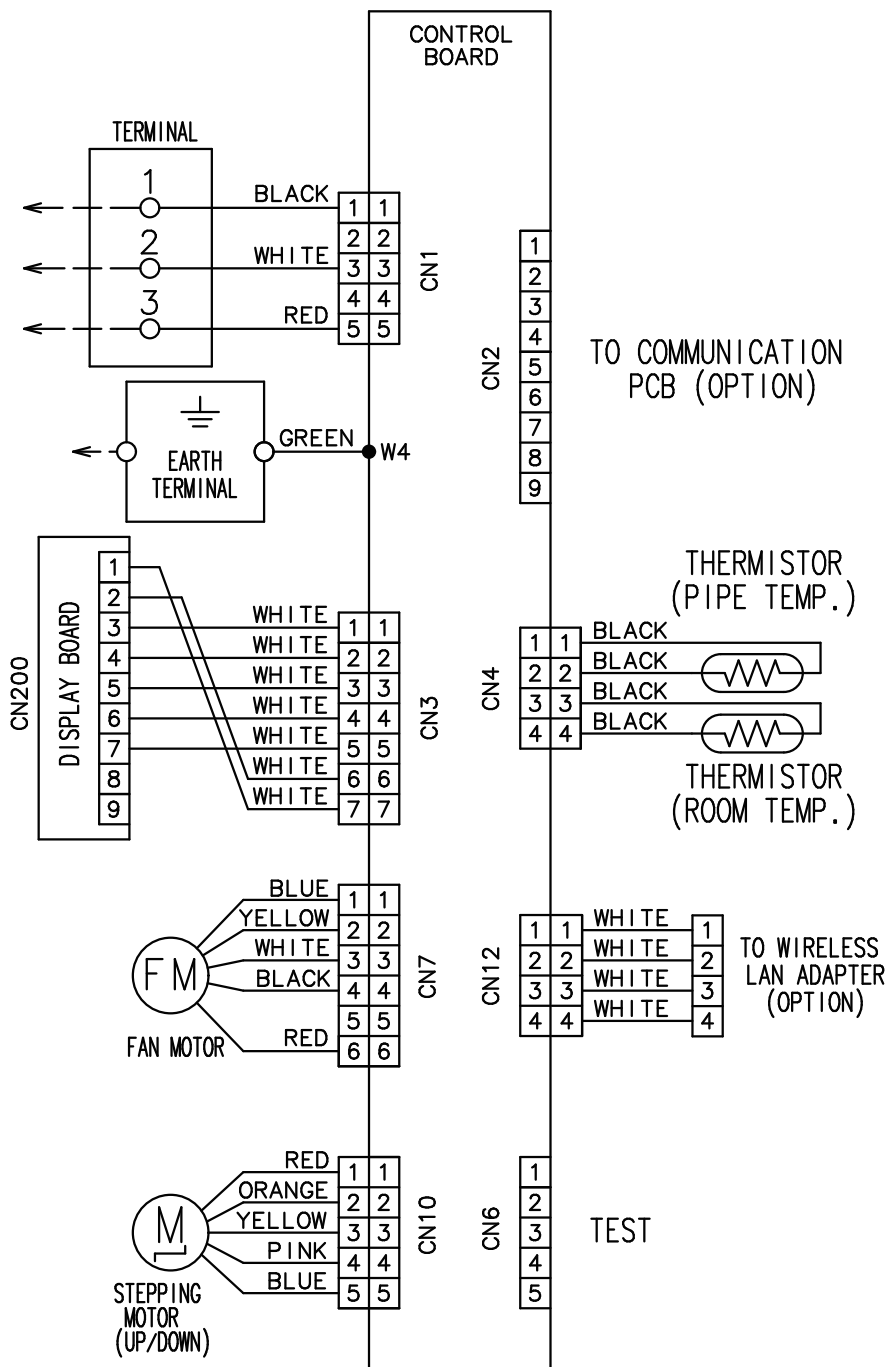
■ Models: ASYG07KGTB, ASYG09KGTB, ASYG12KGTB, and ASYG14KGTB



■ Models: ASYG07KMTB, ASYG09KMTB, ASYG12KMTB, and ASYG14KMTB

2-UNIT
MULTI-SPLIT TYPE

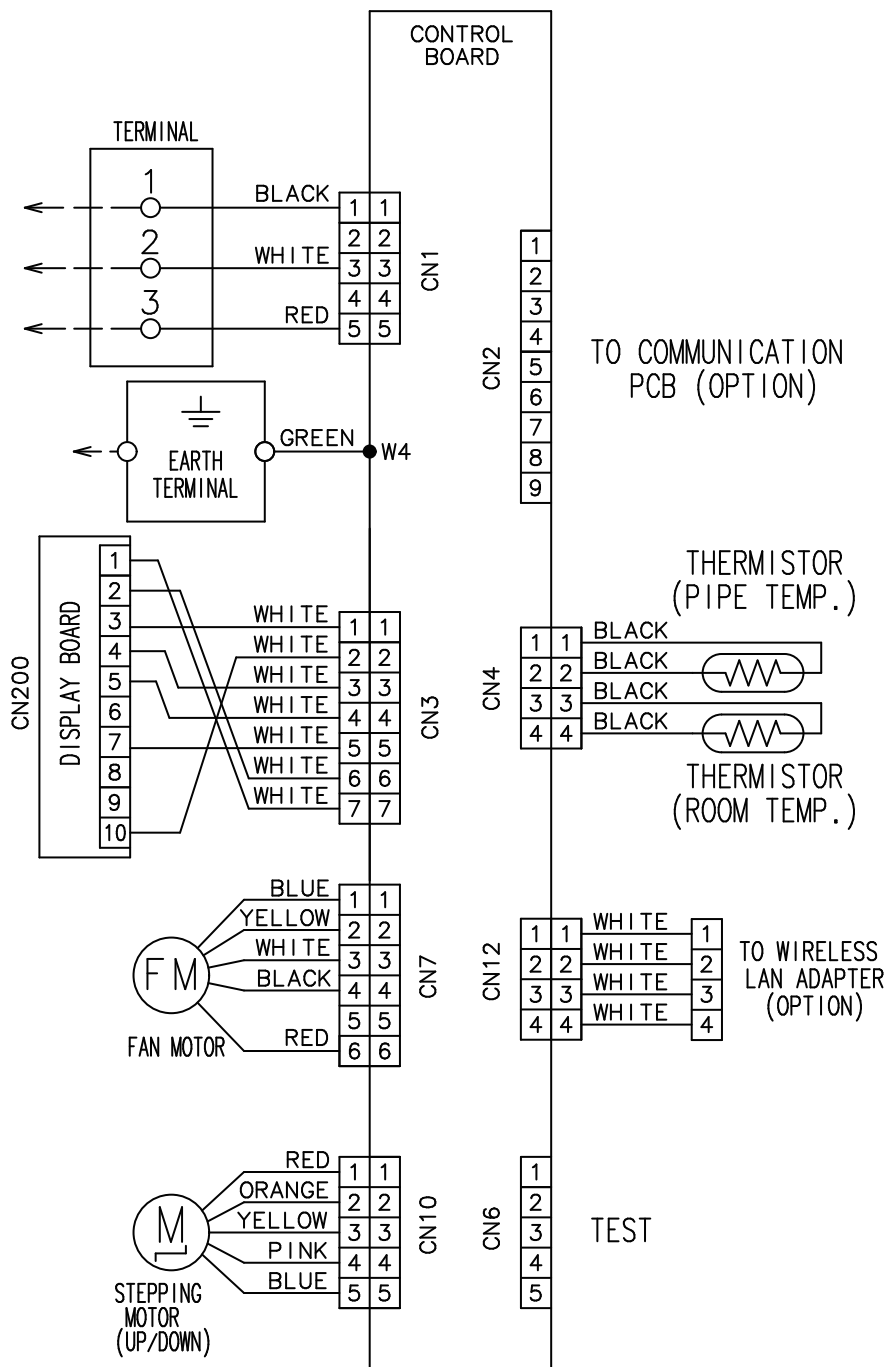
2-UNIT
MULTI-SPLIT TYPE



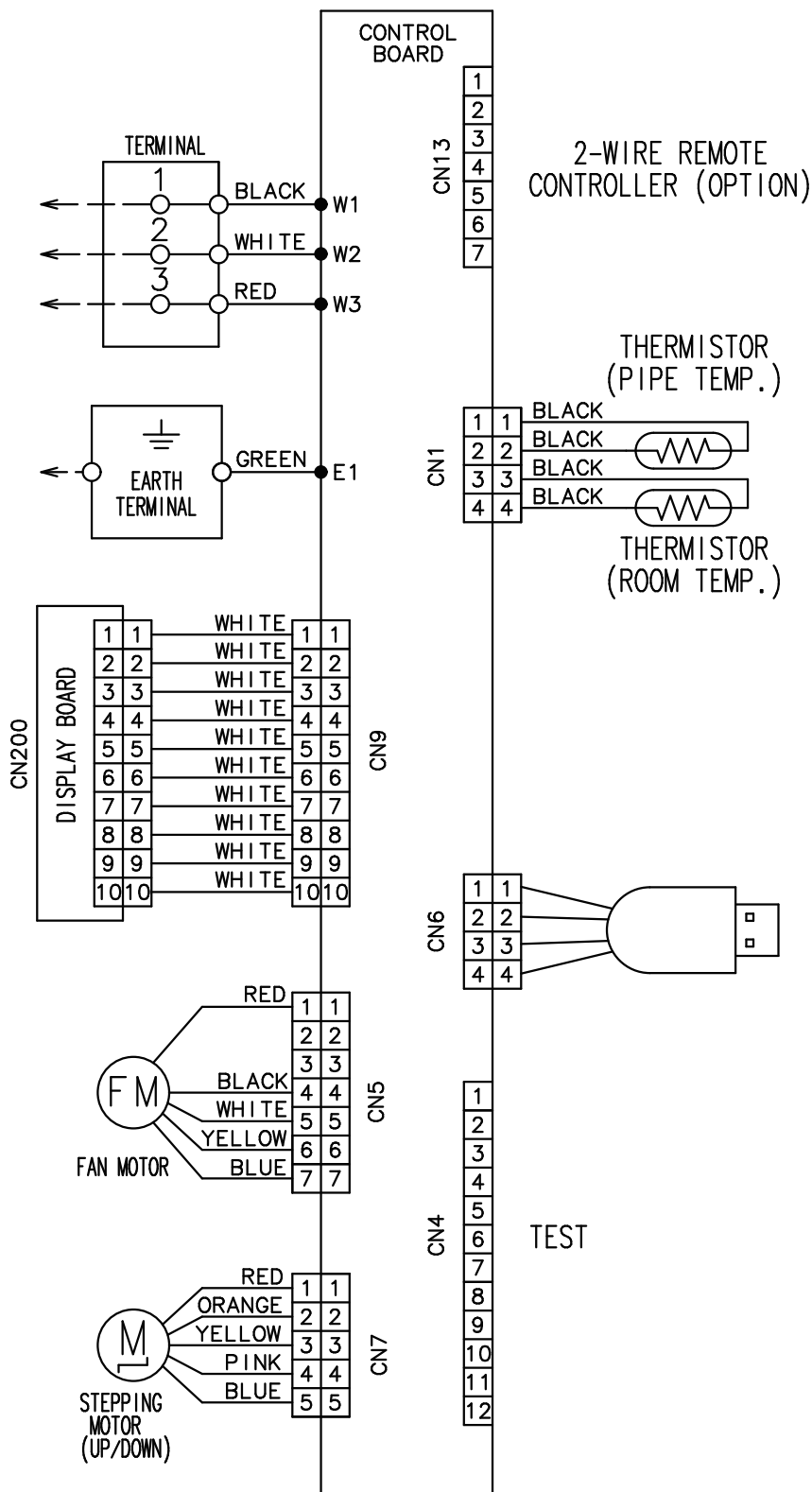
■ Models: ASYG07KMCC, ASYG09KMCC, ASYG12KMCC, and ASYG14KMCC

2-UNIT
MULTI-SPLIT TYPE

2-UNIT
MULTI-SPLIT TYPE

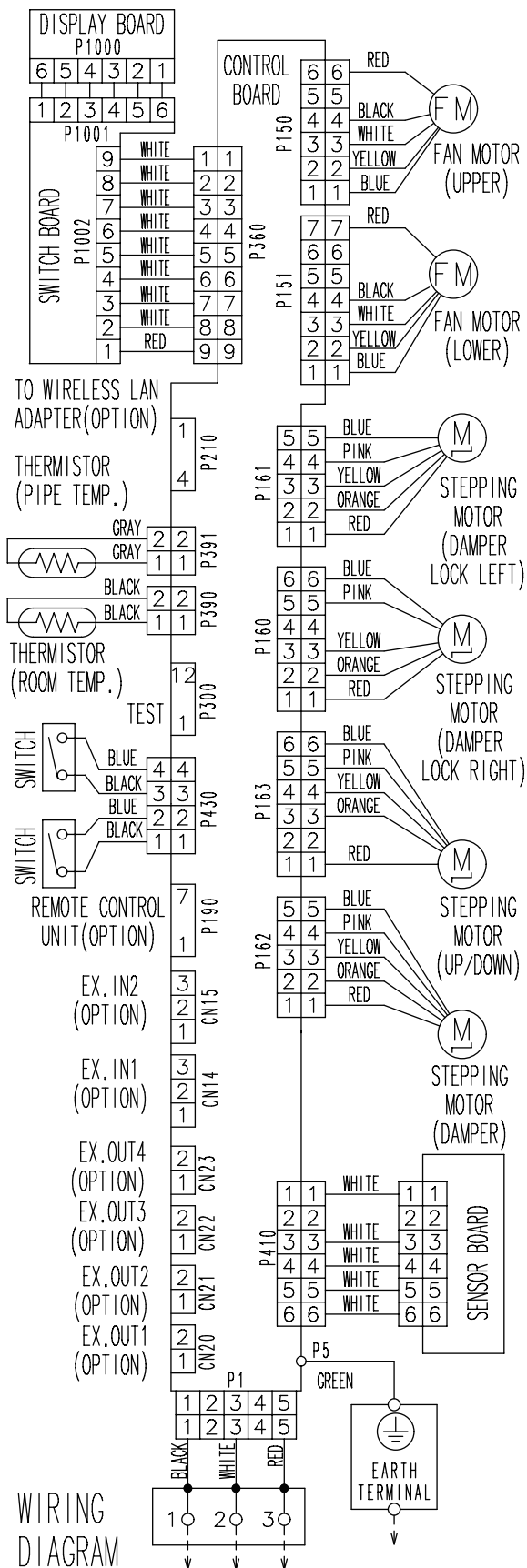


■ Models: ASYG07KETA, ASYG09KETA, ASYG12KETA, ASYG14KETA, ASYG07KETA-B, ASYG09KETA-B, ASYG12KETA-B, and ASYG14KETA-B



4-4. Floor type

Models: AGYG09KVCA, AGYG12KVCA, and AGYG14KVCA



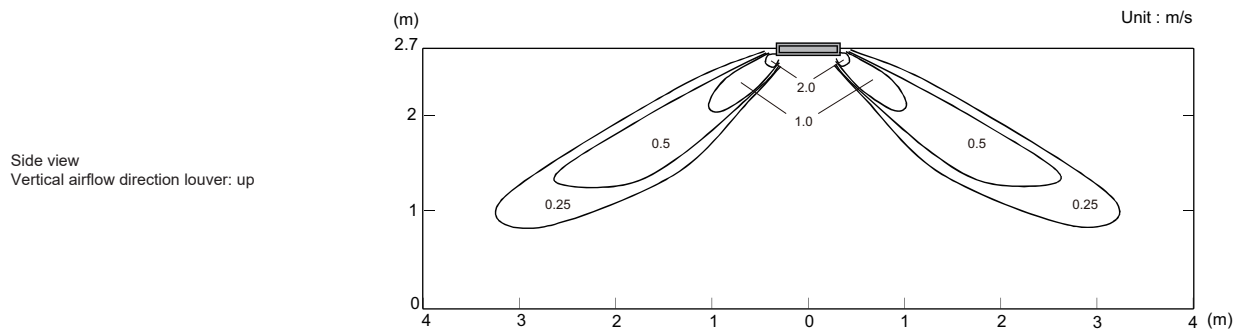
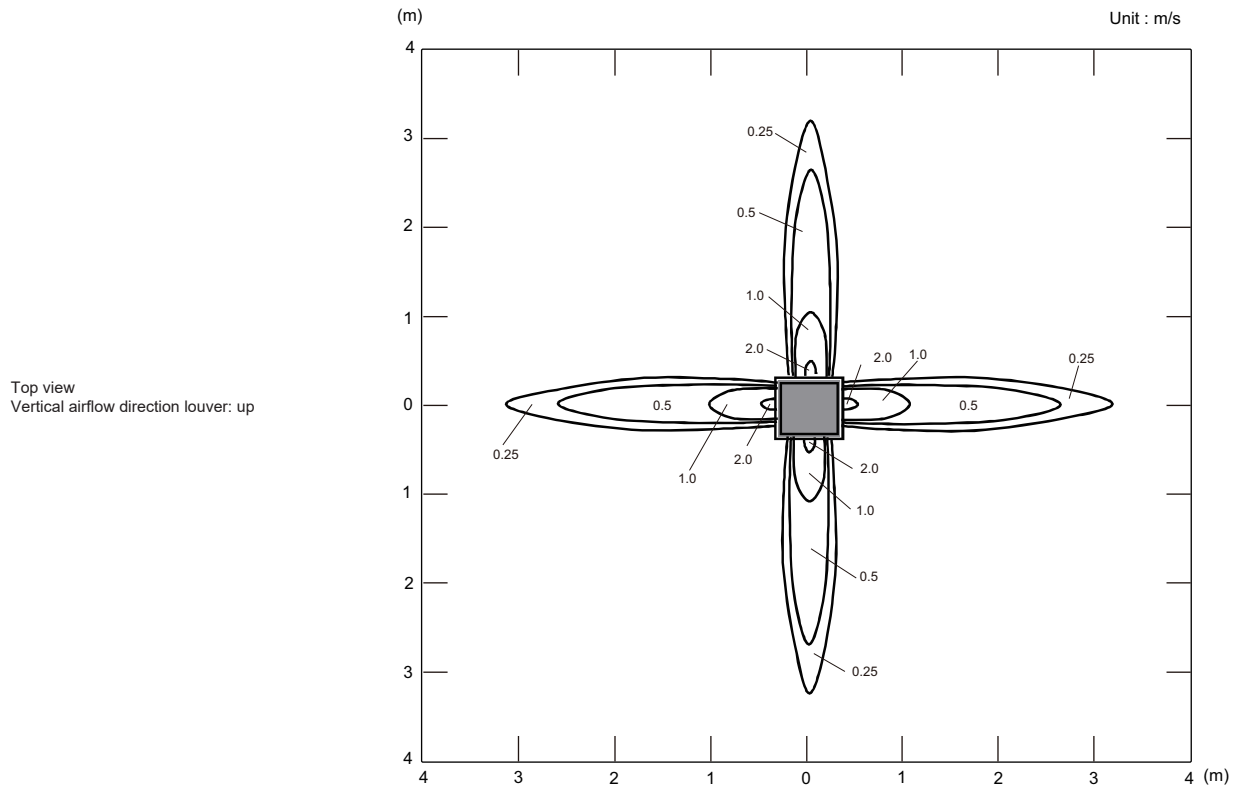
5. Air velocity and temperature distributions

5-1. Compact cassette type

■ Models: AUXG07KVLA and AUXG09KVLA

- Air velocity distribution

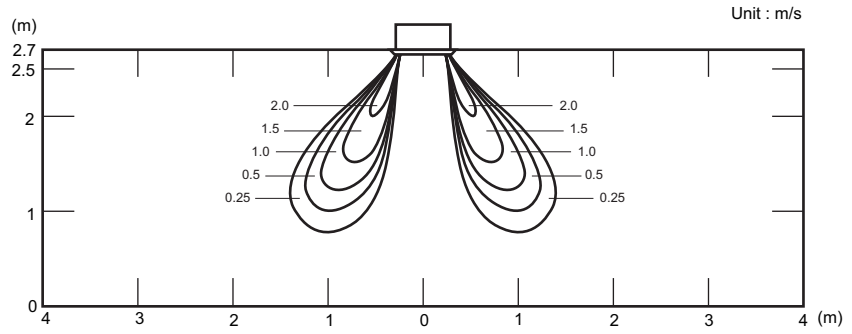
| | | |
|----------------------|-----------|----------------|
| Measuring conditions | Fan speed | Operation mode |
| | HIGH | FAN |



• Air velocity distribution

| | | | |
|-----------------------------|-----------|----------------|-------------------|
| Measuring conditions | Fan speed | Operation mode | Outlet directions |
| NOTE: Reference data | HIGH | HEAT | 4-way air outlet |

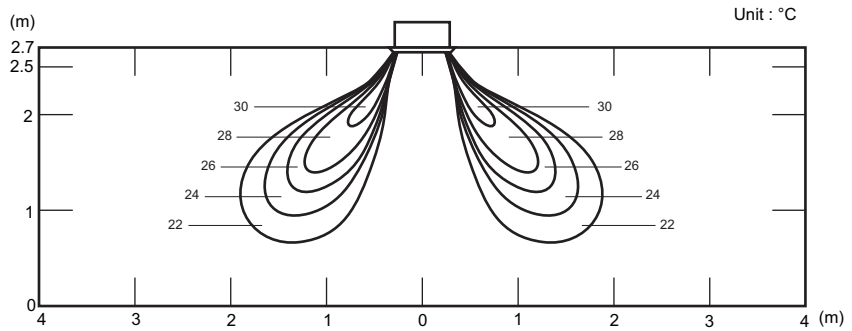
Side view
Vertical airflow direction louver: down



• Air temperature distribution

| | | | |
|-----------------------------|-----------|----------------|-------------------|
| Measuring conditions | Fan speed | Operation mode | Outlet directions |
| NOTE: Reference data | HIGH | HEAT | 4-way air outlet |

Side view
Vertical airflow direction louver: down

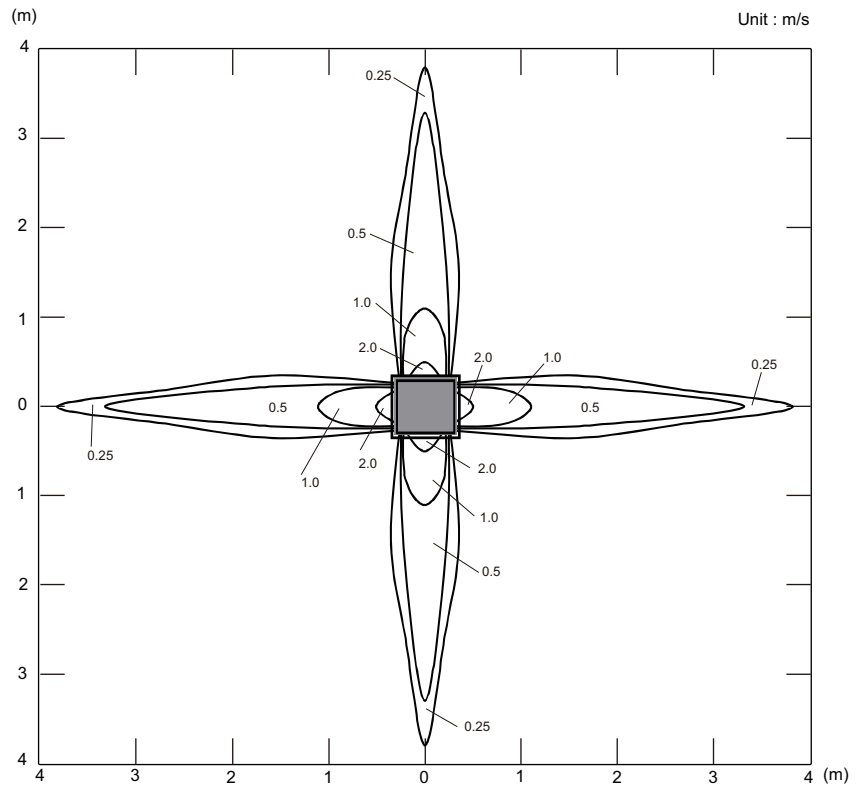


Model: AUXG12KVL A

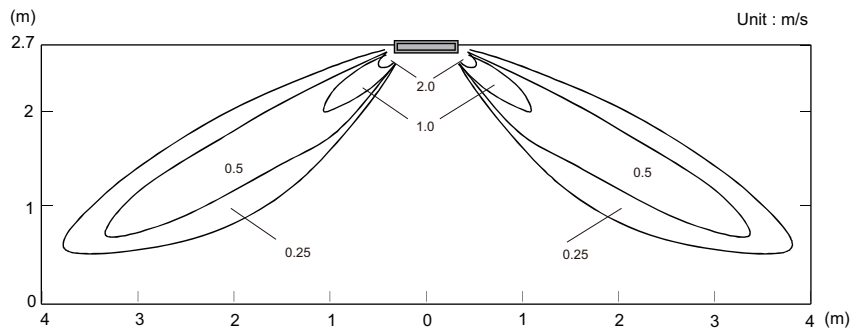
- Air velocity distribution

| | | |
|----------------------|-----------|----------------|
| Measuring conditions | Fan speed | Operation mode |
| | HIGH | FAN |

Top view
Vertical airflow direction louver: up



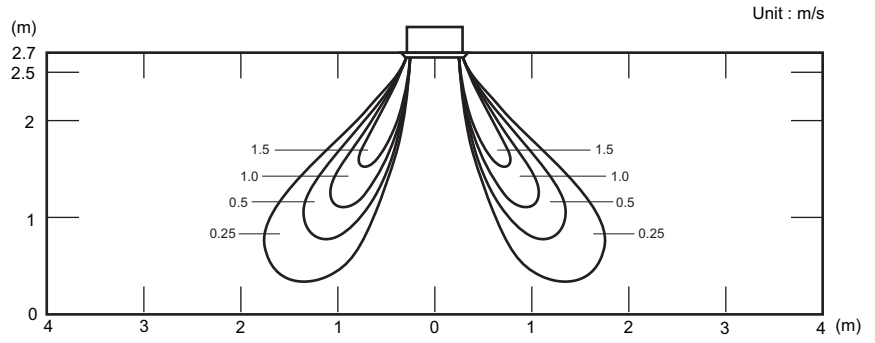
Side view
Vertical airflow direction louver: up



• Air velocity distribution

| | | | |
|----------------------|-----------|----------------|-------------------|
| Measuring conditions | Fan speed | Operation mode | Outlet directions |
| NOTE:Reference data | HIGH | HEAT | 4-way air outlet |

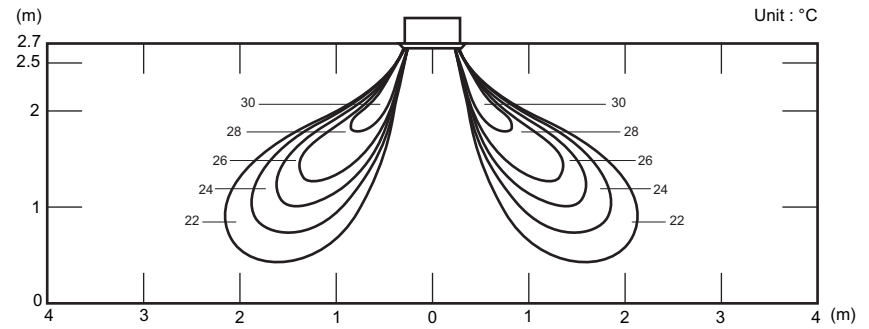
Side view
Vertical airflow direction louver: down



• Air temperature distribution

| | | | |
|----------------------|-----------|----------------|-------------------|
| Measuring conditions | Fan speed | Operation mode | Outlet directions |
| NOTE:Reference data | HIGH | HEAT | 4-way air outlet |

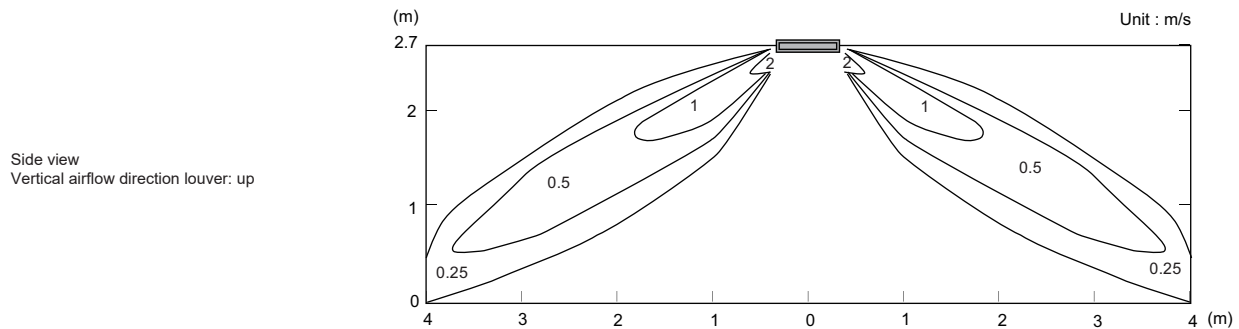
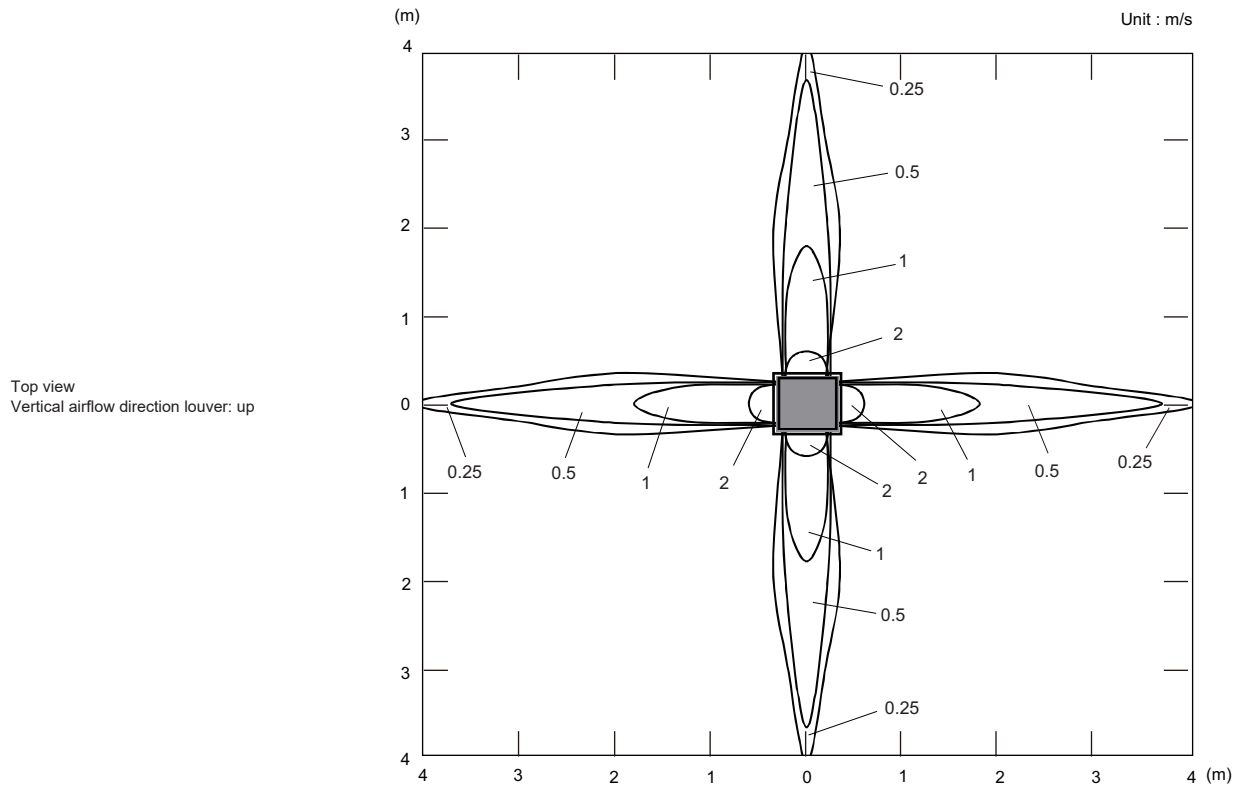
Side view
Vertical airflow direction louver: down



Model: AUXG14KVL A

- Air velocity distribution

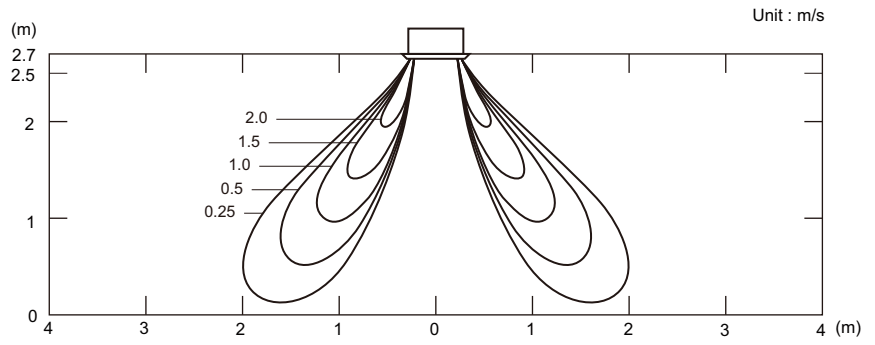
| | | |
|----------------------|-----------|----------------|
| Measuring conditions | Fan speed | Operation mode |
| | HIGH | FAN |



• Air velocity distribution

| | | | |
|----------------------|-----------|----------------|-------------------|
| Measuring conditions | Fan speed | Operation mode | Outlet directions |
| NOTE:Reference data | HIGH | HEAT | 4-way air outlet |

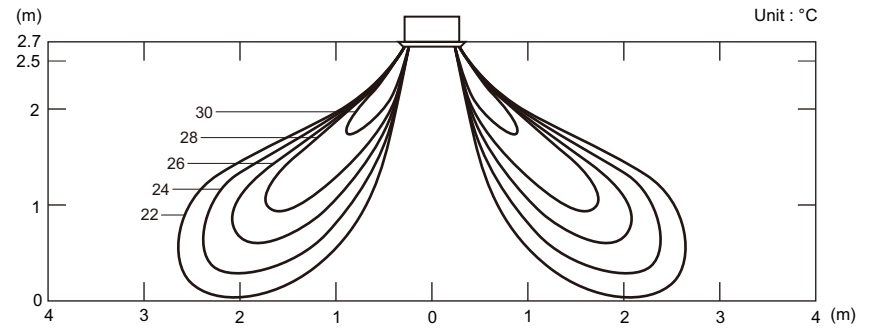
Side view
Vertical airflow direction louver: down



• Air temperature distribution

| | | | |
|----------------------|-----------|----------------|-------------------|
| Measuring conditions | Fan speed | Operation mode | Outlet directions |
| NOTE:Reference data | HIGH | HEAT | 4-way air outlet |

Side view
Vertical airflow direction louver: down



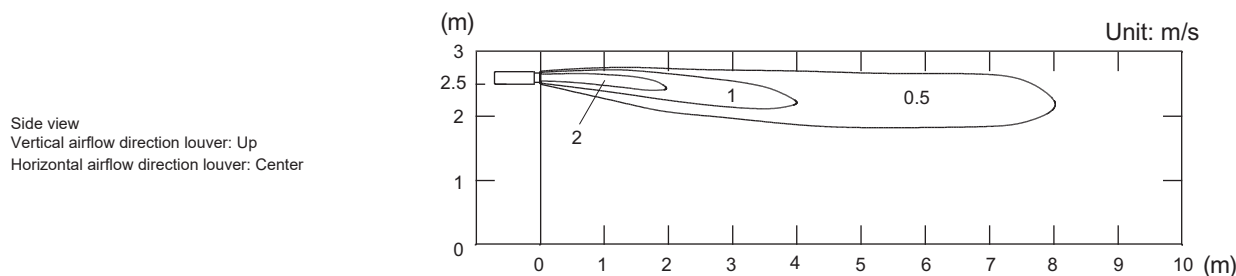
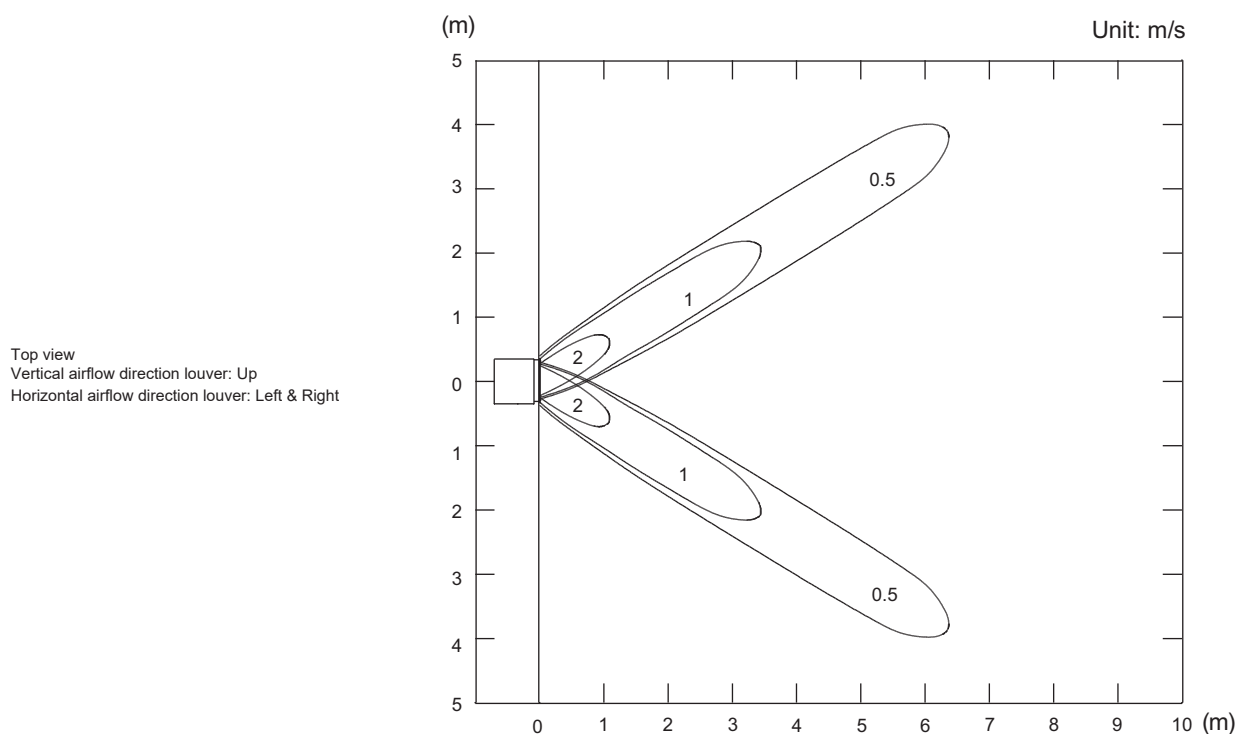
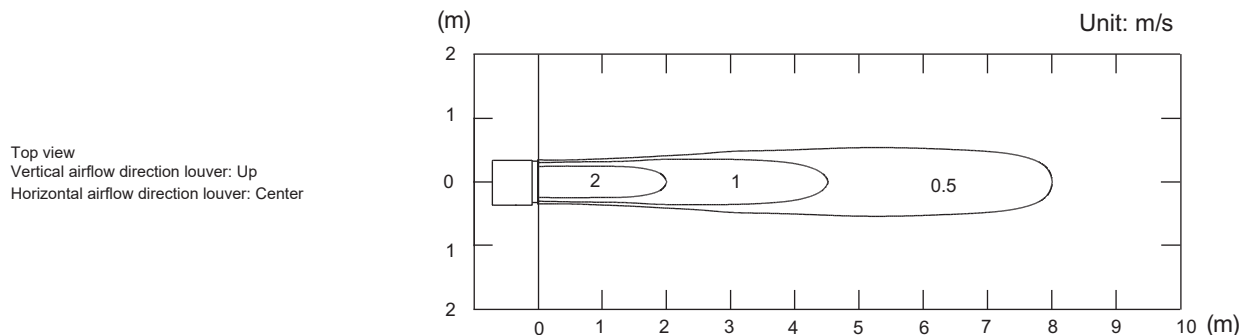
5-2. Mini duct type

Model: ARXG07KSLAP

NOTE: This data is measured after installing optional Auto louver grille kit.

- Air velocity distribution

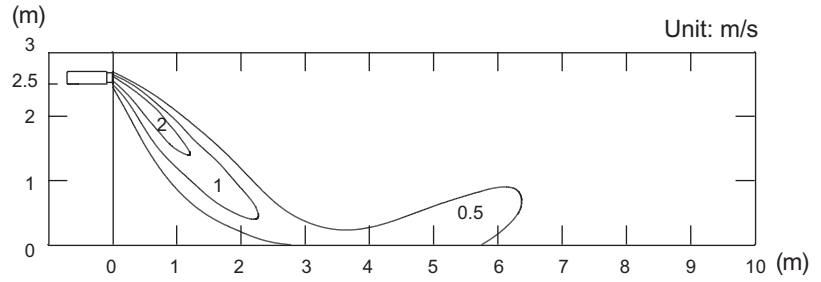
| | | |
|----------------------|-----------|----------------|
| Measuring conditions | Fan speed | Operation mode |
| | HIGH | FAN |



• Air velocity distribution

| | | |
|----------------------|-----------|----------------|
| Measuring conditions | Fan speed | Operation mode |
| | HIGH | HEAT |

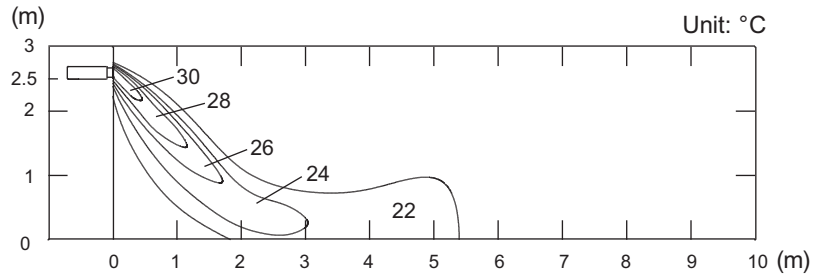
Side view
Vertical airflow direction louver: Down
Horizontal airflow direction louver: Center



• Air temperature distribution

| | | |
|----------------------|-----------|----------------|
| Measuring conditions | Fan speed | Operation mode |
| | HIGH | HEAT |

Side view
Vertical airflow direction louver: Down
Horizontal airflow direction louver: Center

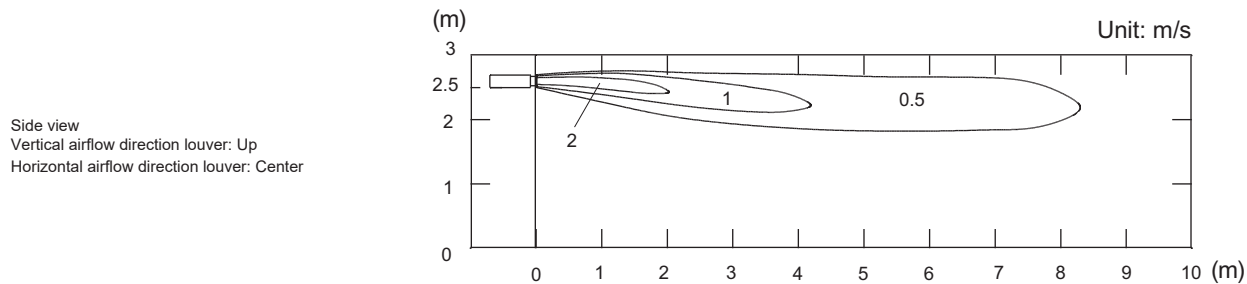
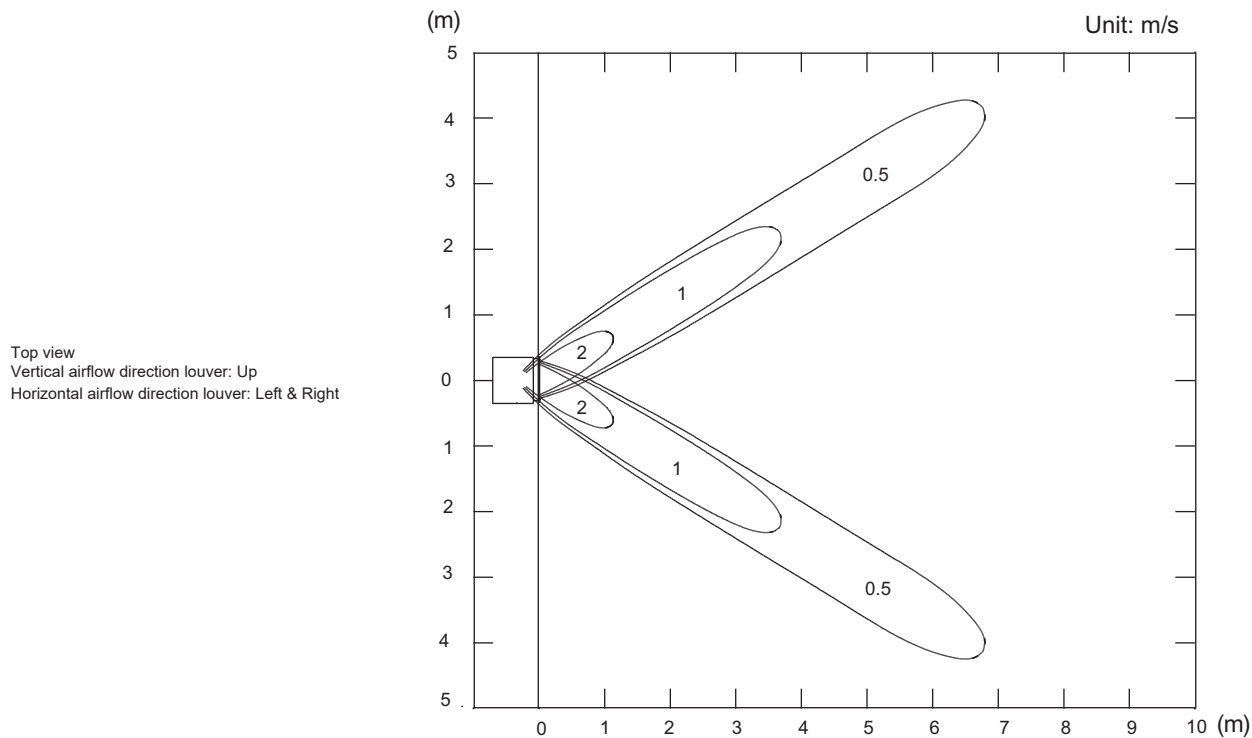
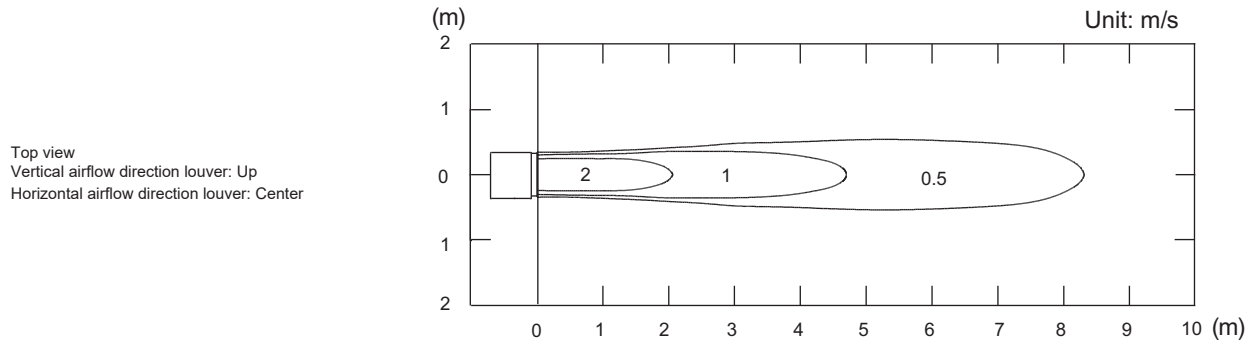


Model: ARXG09KSLAP

NOTE: This data is measured after installing optional Auto louver grille kit.

- Air velocity distribution

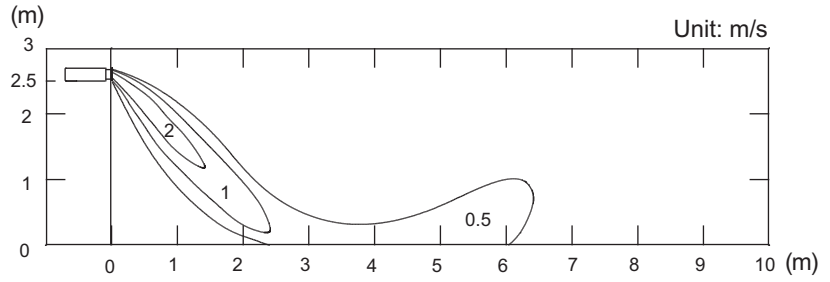
| | | |
|----------------------|-----------|----------------|
| Measuring conditions | Fan speed | Operation mode |
| | HIGH | FAN |



• Air velocity distribution

| | | |
|----------------------|-----------|----------------|
| Measuring conditions | Fan speed | Operation mode |
| | HIGH | HEAT |

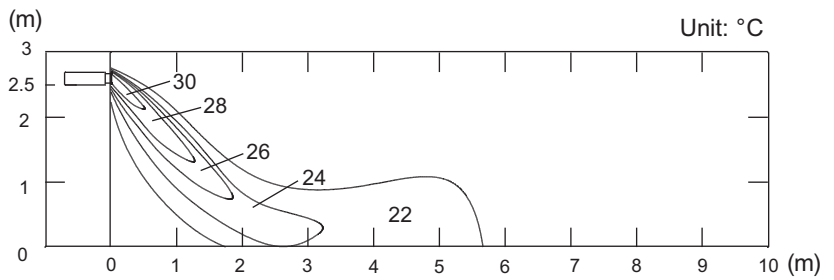
Side view
Vertical airflow direction louver: Down
Horizontal airflow direction louver: Center



• Air temperature distribution

| | | |
|----------------------|-----------|----------------|
| Measuring conditions | Fan speed | Operation mode |
| | HIGH | HEAT |

Side view
Vertical airflow direction louver: Down
Horizontal airflow direction louver: Center

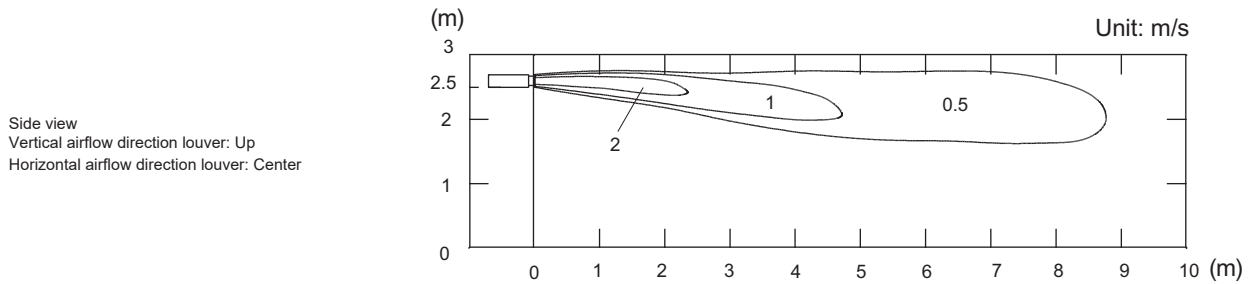
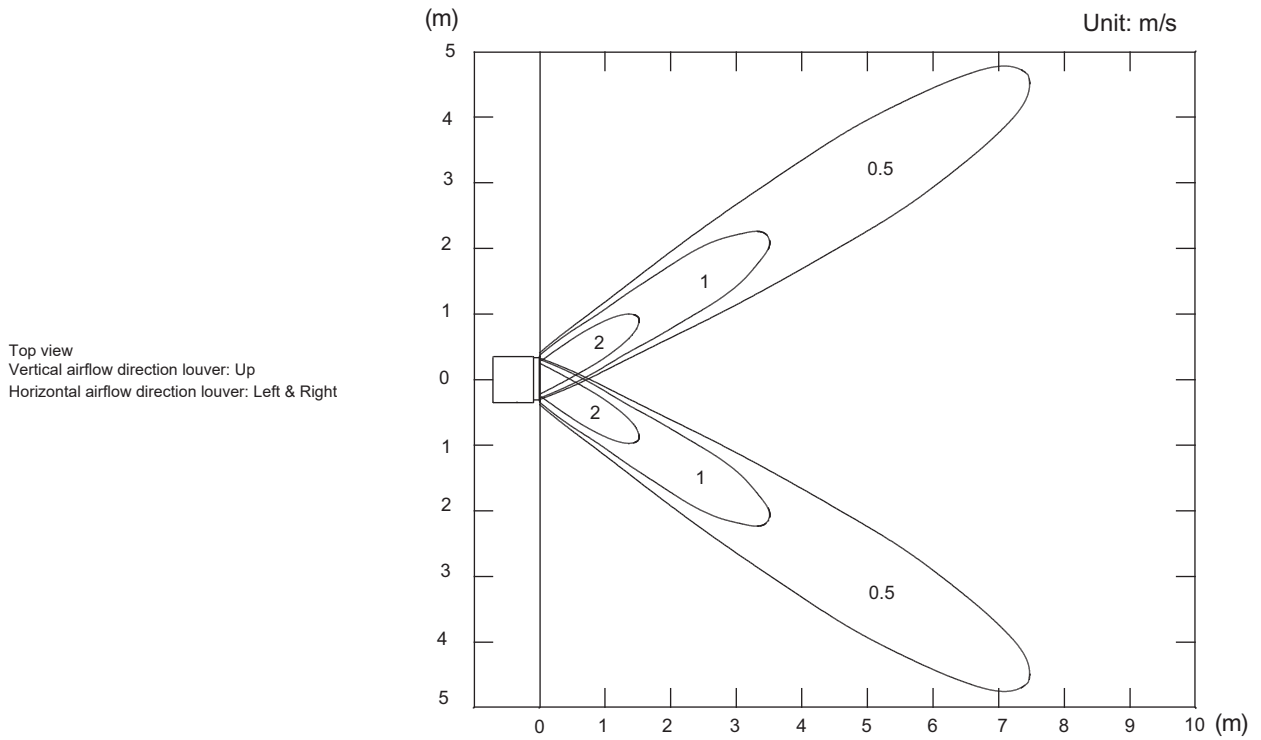
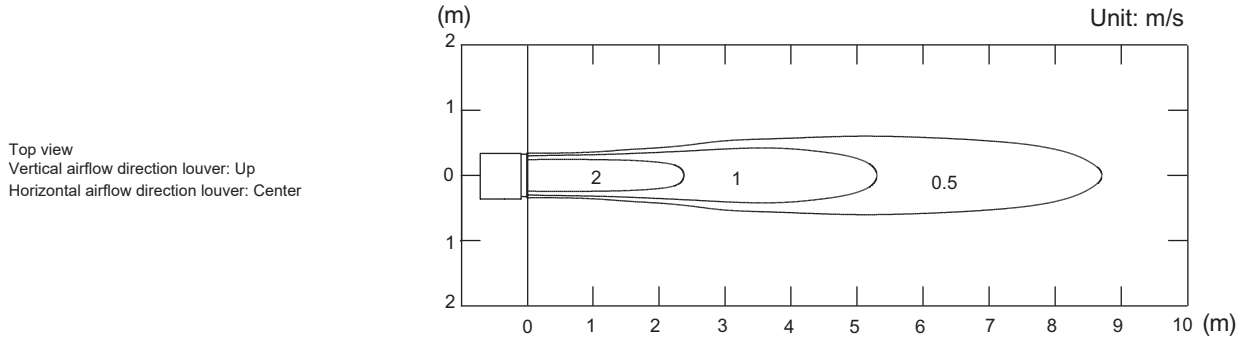


Model: ARXG12KSLAP

NOTE: This data is measured after installing optional Auto louver grille kit.

- Air velocity distribution

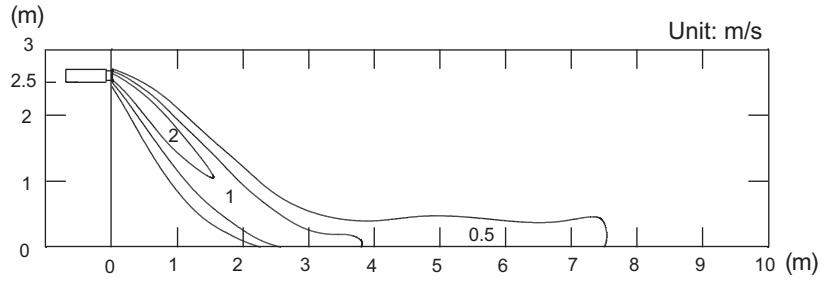
| | | |
|----------------------|-----------|----------------|
| Measuring conditions | Fan speed | Operation mode |
| | HIGH | FAN |



• Air velocity distribution

| | | |
|----------------------|-----------|----------------|
| Measuring conditions | Fan speed | Operation mode |
| | HIGH | HEAT |

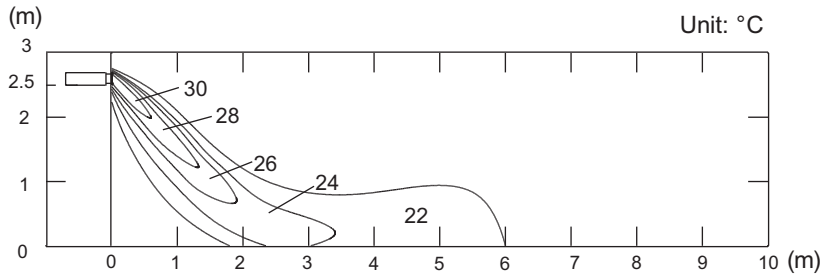
Side view
Vertical airflow direction louver: Down
Horizontal airflow direction louver: Center



• Air temperature distribution

| | | |
|----------------------|-----------|----------------|
| Measuring conditions | Fan speed | Operation mode |
| | HIGH | HEAT |

Side view
Vertical airflow direction louver: Down
Horizontal airflow direction louver: Center

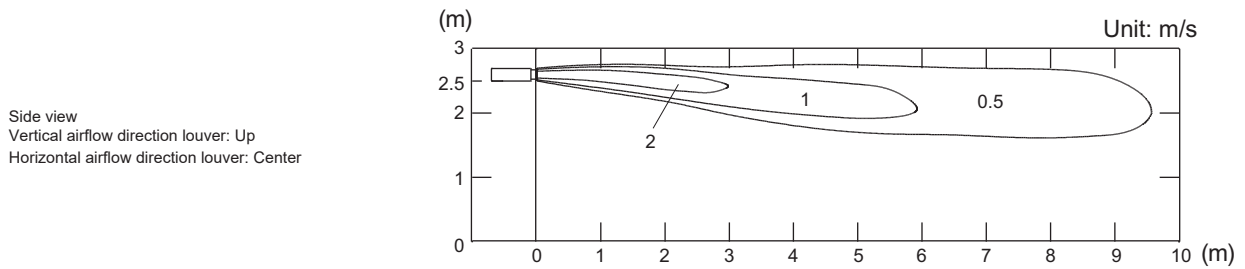
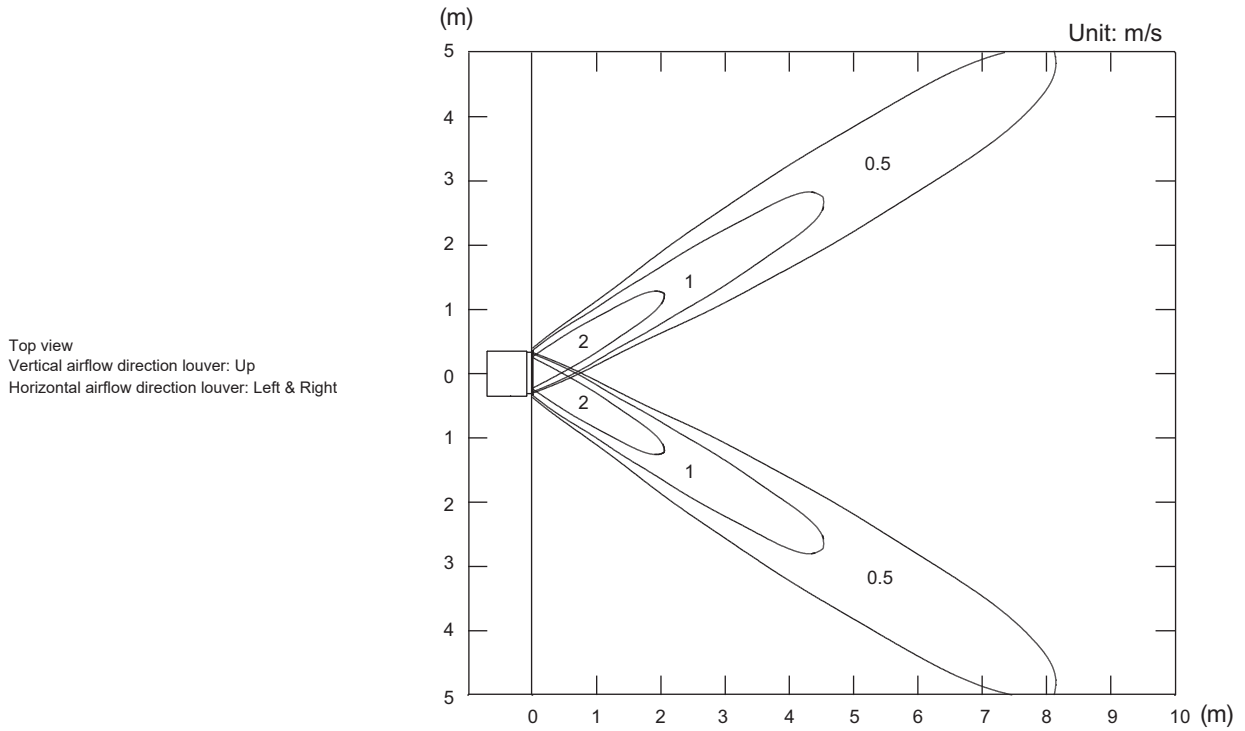
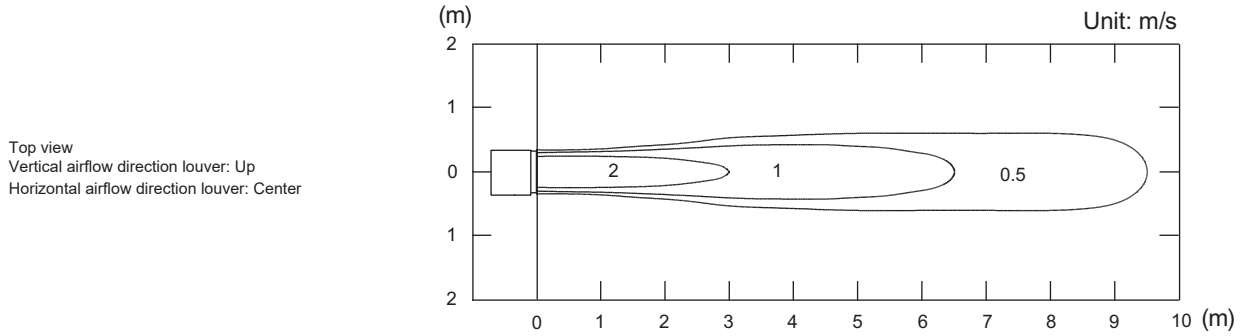


Model: ARXG14KSLAP

NOTE: This data is measured after installing optional Auto louver grille kit.

- Air velocity distribution

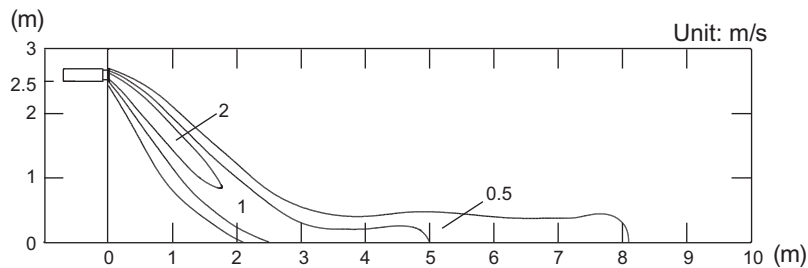
| | | |
|----------------------|-----------|----------------|
| Measuring conditions | Fan speed | Operation mode |
| | HIGH | FAN |



• Air velocity distribution

| | | |
|----------------------|-----------|----------------|
| Measuring conditions | Fan speed | Operation mode |
| | HIGH | HEAT |

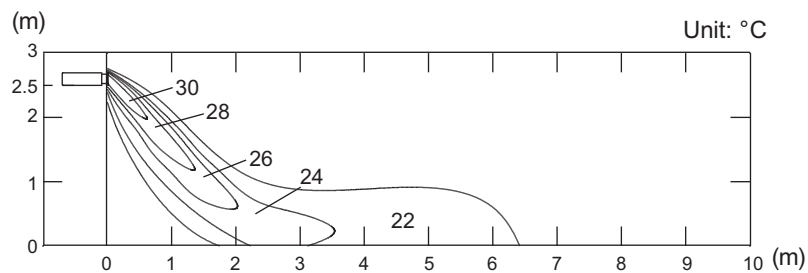
Side view
Vertical airflow direction louver: Down
Horizontal airflow direction louver: Center



• Air temperature distribution

| | | |
|----------------------|-----------|----------------|
| Measuring conditions | Fan speed | Operation mode |
| | HIGH | HEAT |

Side view
Vertical airflow direction louver: Down
Horizontal airflow direction louver: Center



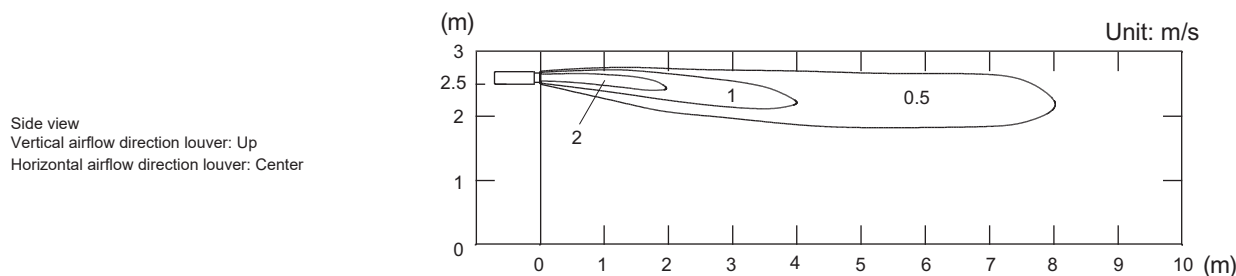
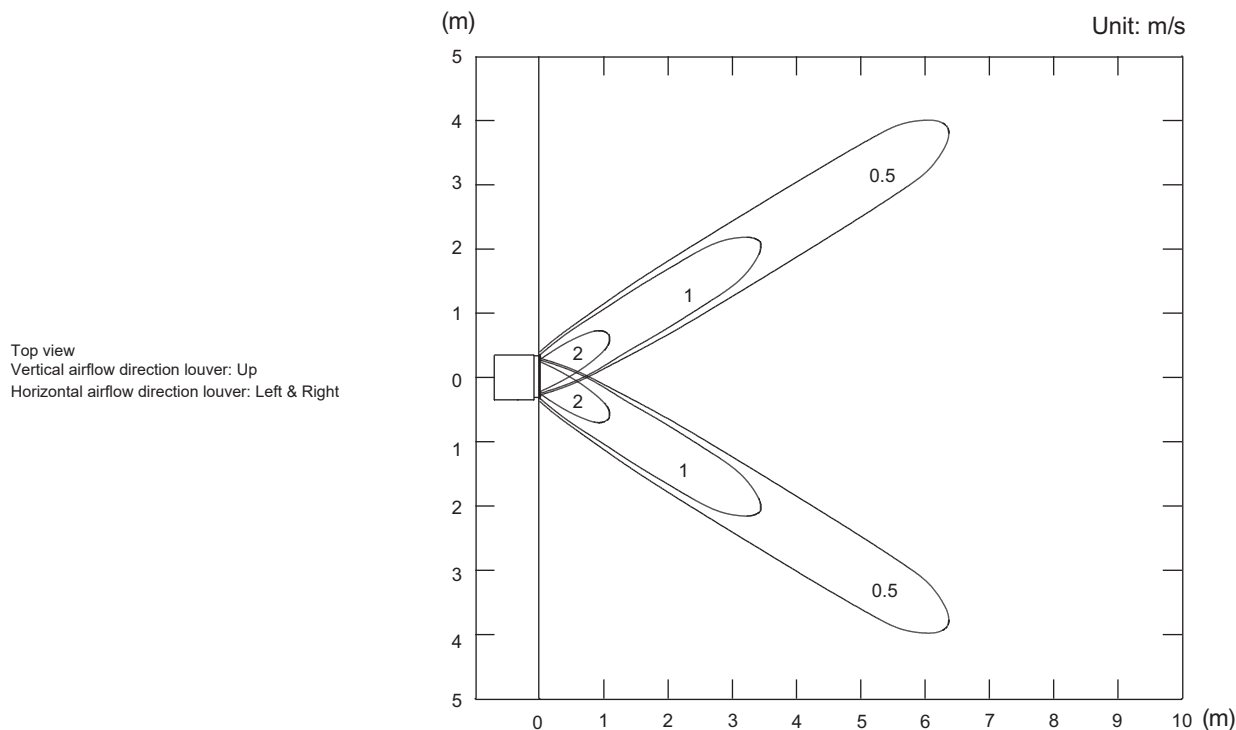
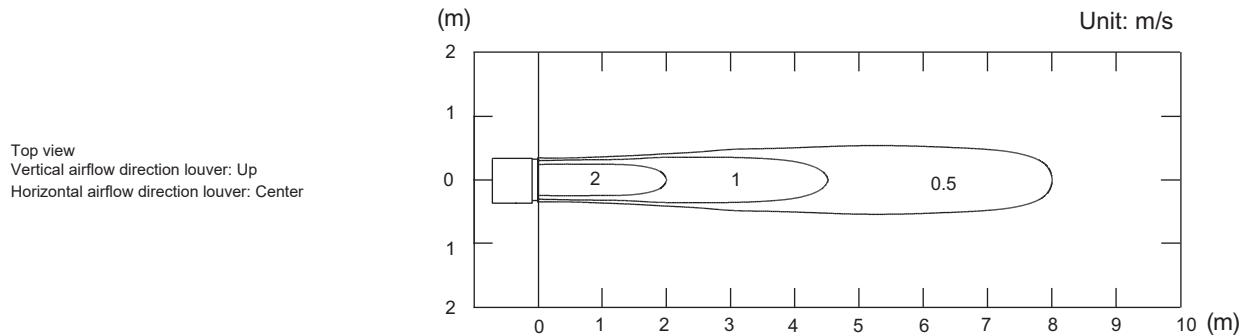
5-3. Slim duct type

Model: ARXG07KLLAP

NOTE: This data is measured after installing optional Auto louver grille kit.

- Air velocity distribution

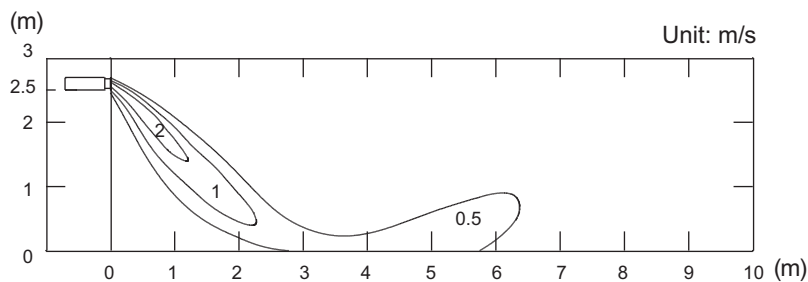
| | | |
|----------------------|-----------|----------------|
| Measuring conditions | Fan speed | Operation mode |
| | HIGH | FAN |



• Air velocity distribution

| | | |
|----------------------|-----------|----------------|
| Measuring conditions | Fan speed | Operation mode |
| | HIGH | HEAT |

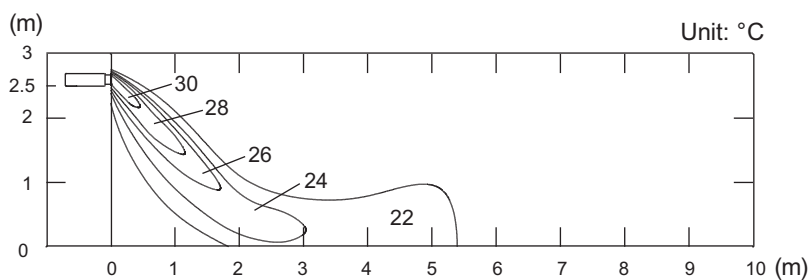
Side view
Vertical airflow direction louver: Down
Horizontal airflow direction louver: Center



• Air temperature distribution

| | | |
|----------------------|-----------|----------------|
| Measuring conditions | Fan speed | Operation mode |
| | HIGH | HEAT |

Side view
Vertical airflow direction louver: Down
Horizontal airflow direction louver: Center

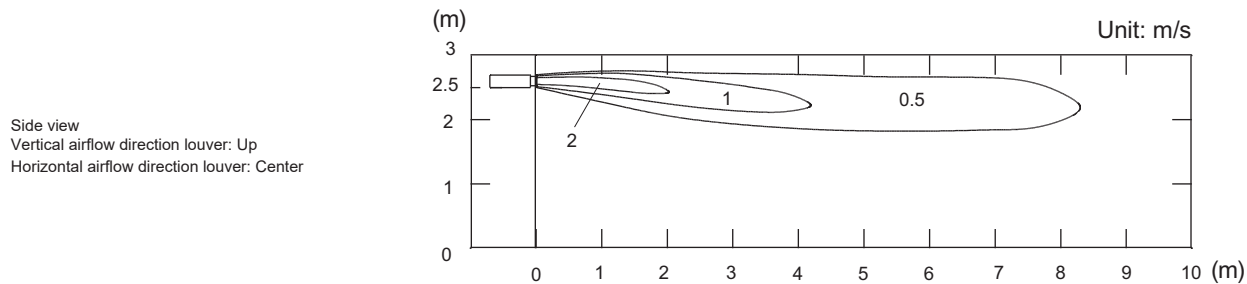
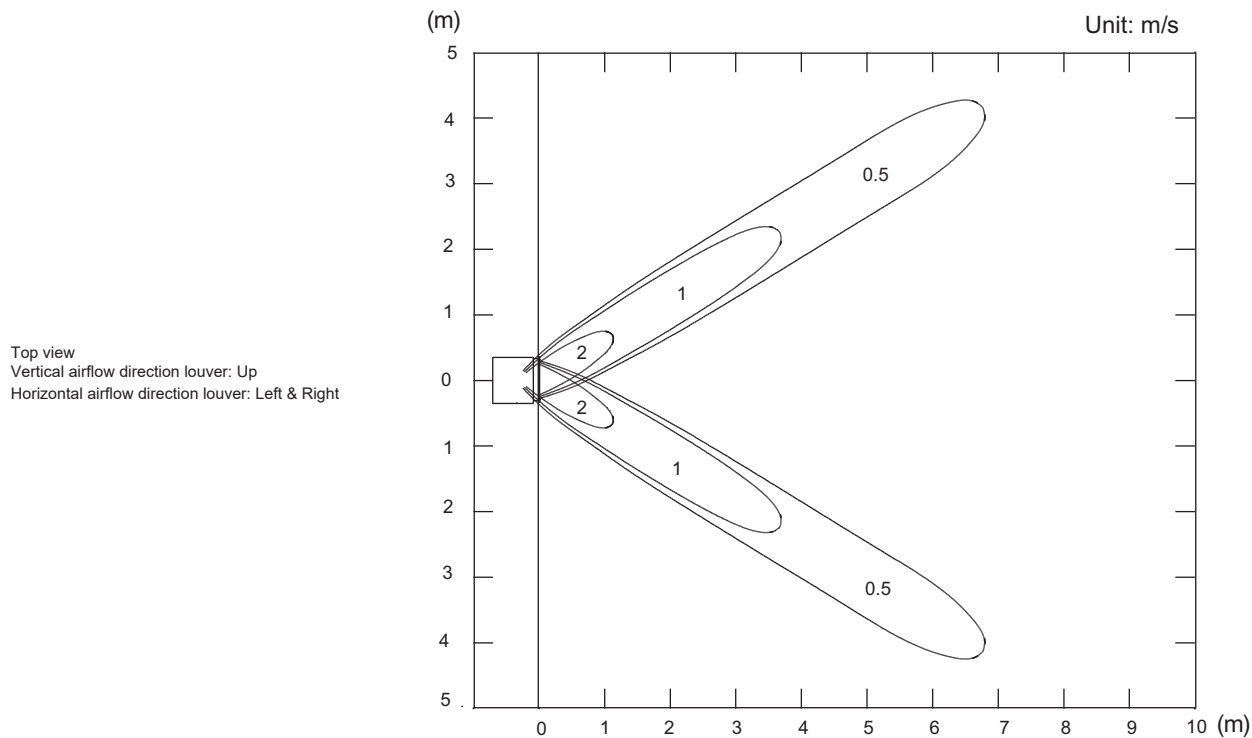
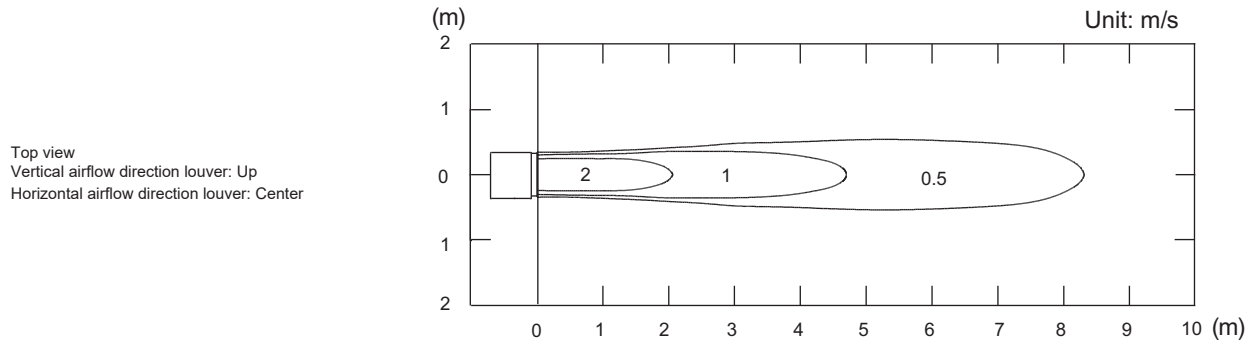


Model: ARXG09KLLAP

NOTE: This data is measured after installing optional Auto louver grille kit.

- Air velocity distribution

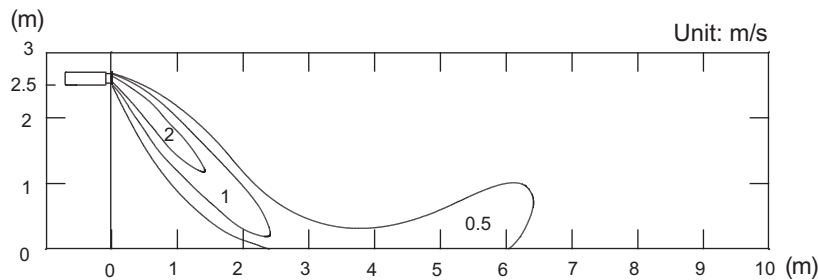
| | | |
|----------------------|-----------|----------------|
| Measuring conditions | Fan speed | Operation mode |
| | HIGH | FAN |



• Air velocity distribution

| | | |
|----------------------|-----------|----------------|
| Measuring conditions | Fan speed | Operation mode |
| | HIGH | HEAT |

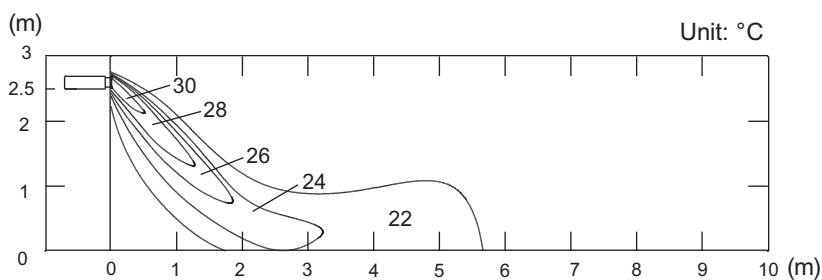
Side view
Vertical airflow direction louver: Down
Horizontal airflow direction louver: Center



• Air temperature distribution

| | | |
|----------------------|-----------|----------------|
| Measuring conditions | Fan speed | Operation mode |
| | HIGH | HEAT |

Side view
Vertical airflow direction louver: Down
Horizontal airflow direction louver: Center

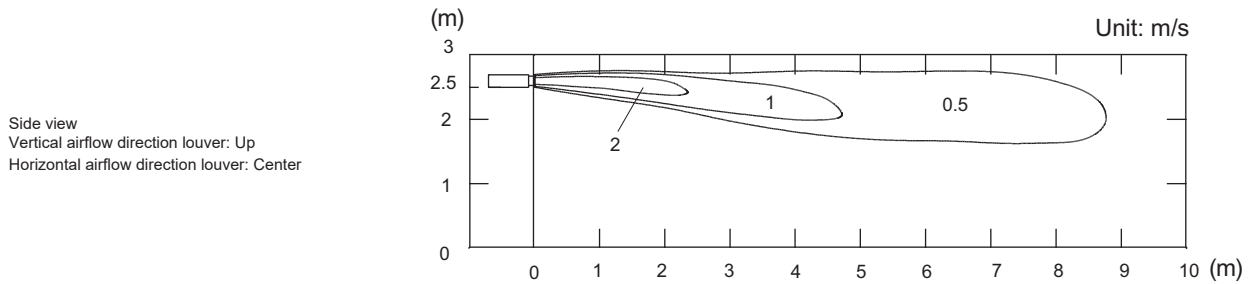
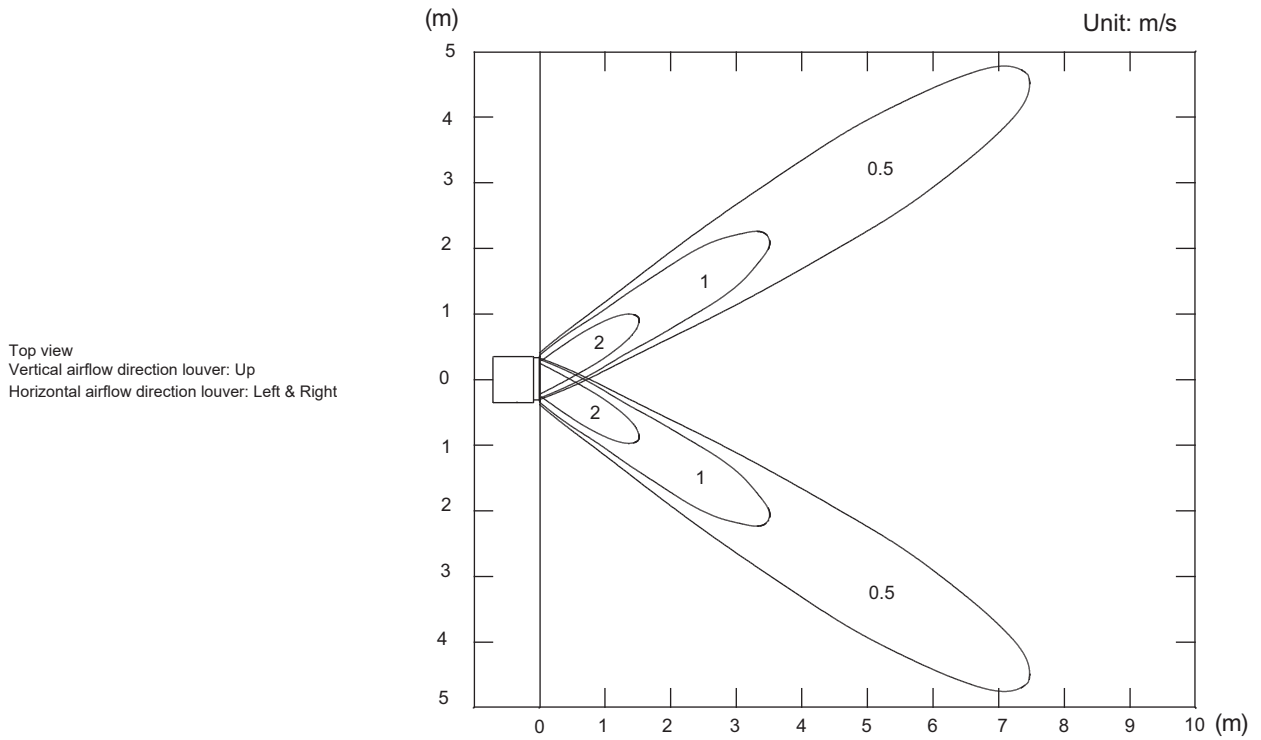
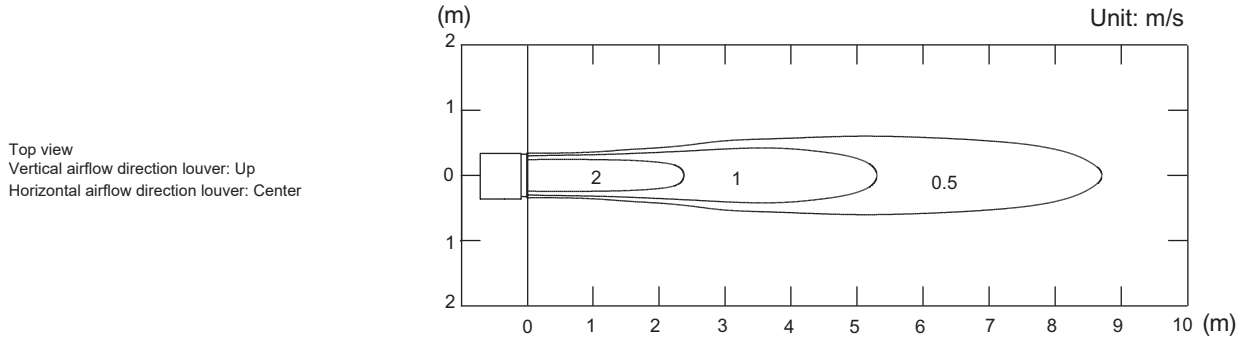


Model: ARXG12KLLAP

NOTE: This data is measured after installing optional Auto louver grille kit.

- Air velocity distribution

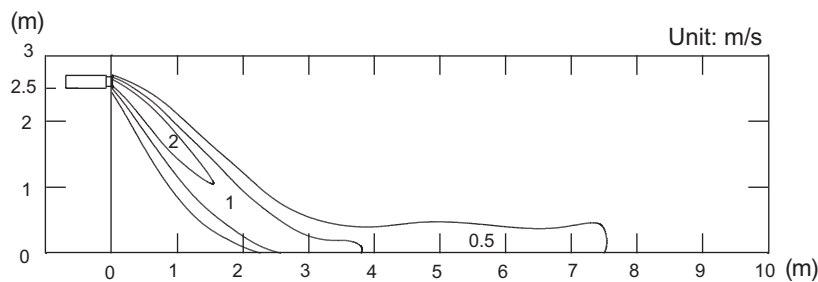
| | | |
|----------------------|-----------|----------------|
| Measuring conditions | Fan speed | Operation mode |
| | HIGH | FAN |



• Air velocity distribution

| | | |
|----------------------|-----------|----------------|
| Measuring conditions | Fan speed | Operation mode |
| | HIGH | HEAT |

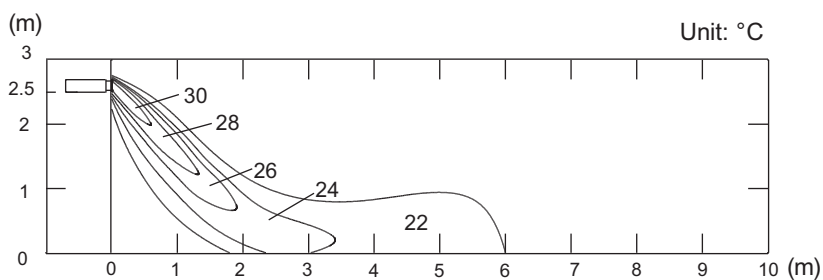
Side view
Vertical airflow direction louver: Down
Horizontal airflow direction louver: Center



• Air temperature distribution

| | | |
|----------------------|-----------|----------------|
| Measuring conditions | Fan speed | Operation mode |
| | HIGH | HEAT |

Side view
Vertical airflow direction louver: Down
Horizontal airflow direction louver: Center

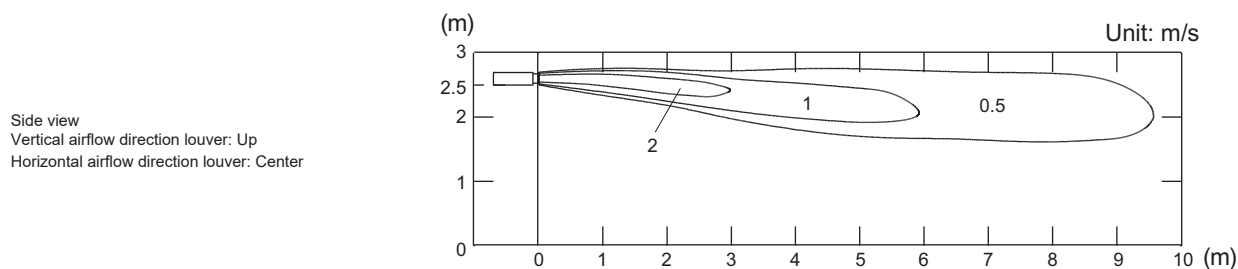
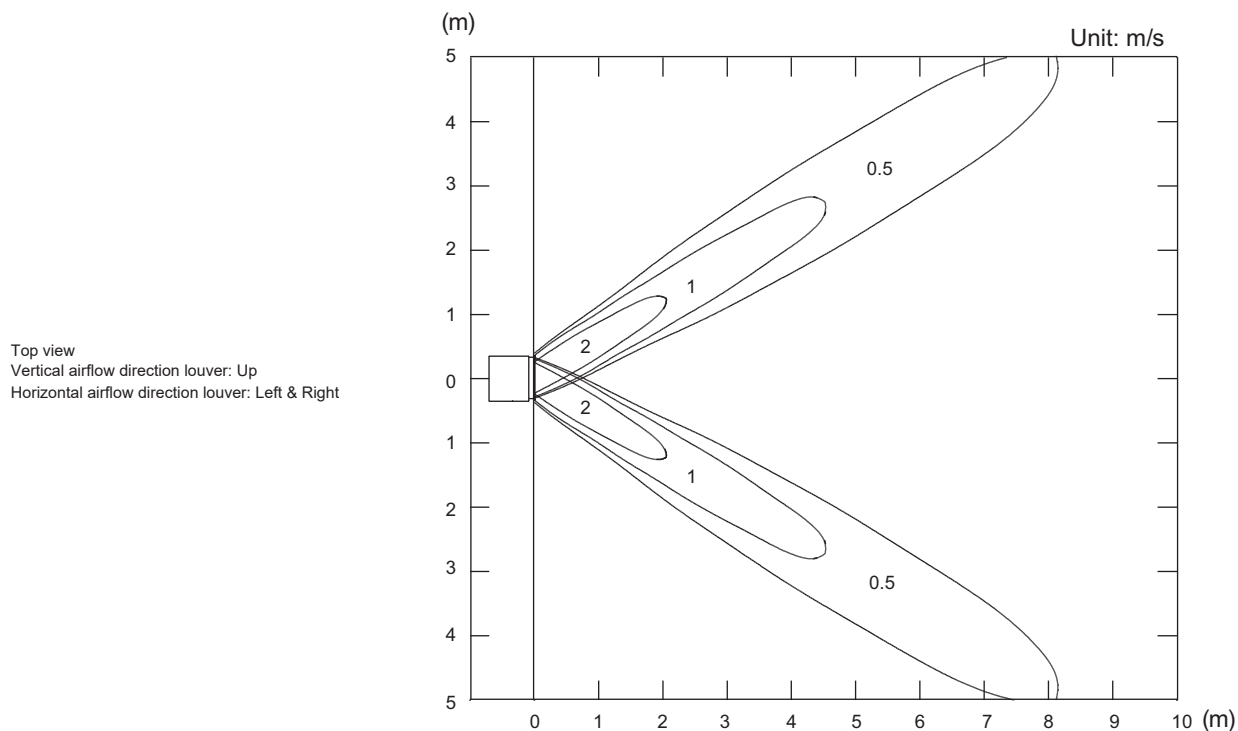
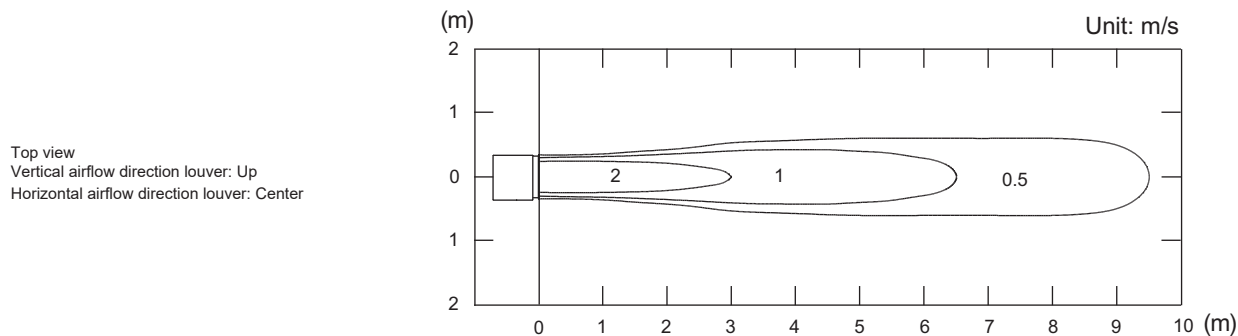


Model: ARXG14KLLAP

NOTE: This data is measured after installing optional Auto louver grille kit.

- Air velocity distribution

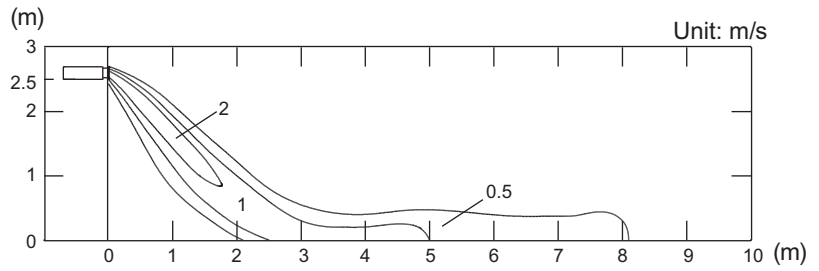
| | | |
|----------------------|-----------|----------------|
| Measuring conditions | Fan speed | Operation mode |
| | HIGH | FAN |



• Air velocity distribution

| | | |
|----------------------|-----------|----------------|
| Measuring conditions | Fan speed | Operation mode |
| | HIGH | HEAT |

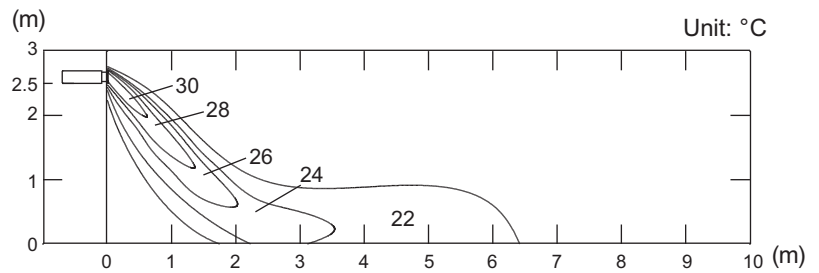
Side view
Vertical airflow direction louver: Down
Horizontal airflow direction louver: Center



• Air temperature distribution

| | | |
|----------------------|-----------|----------------|
| Measuring conditions | Fan speed | Operation mode |
| | HIGH | HEAT |

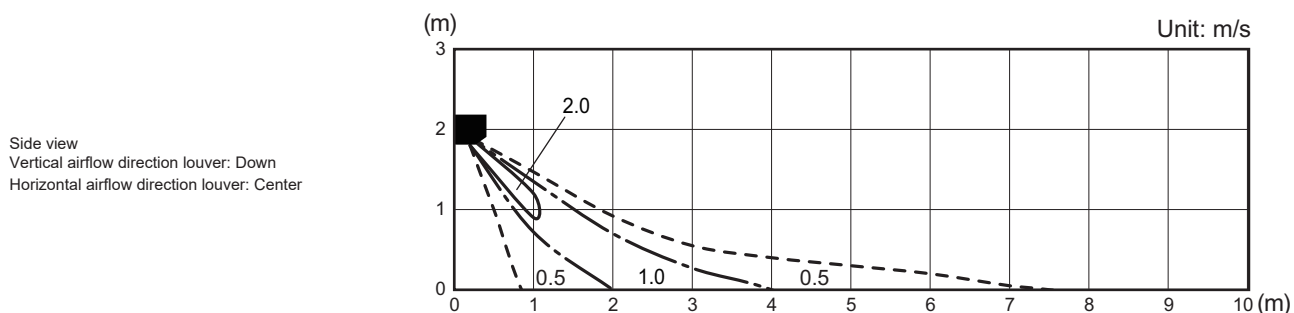
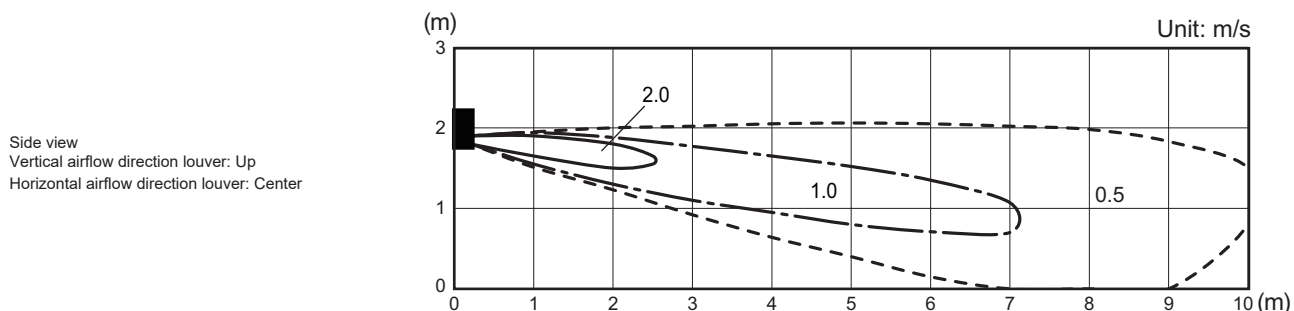
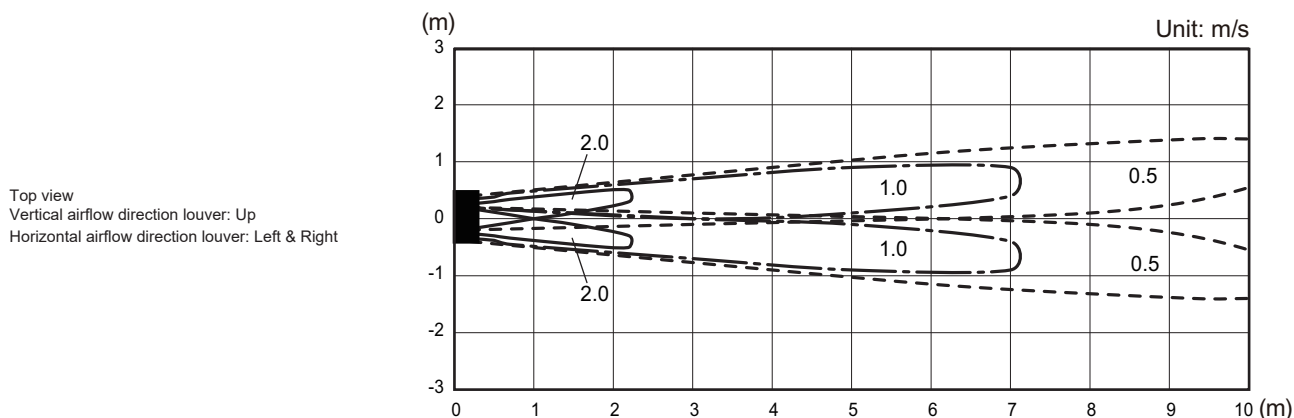
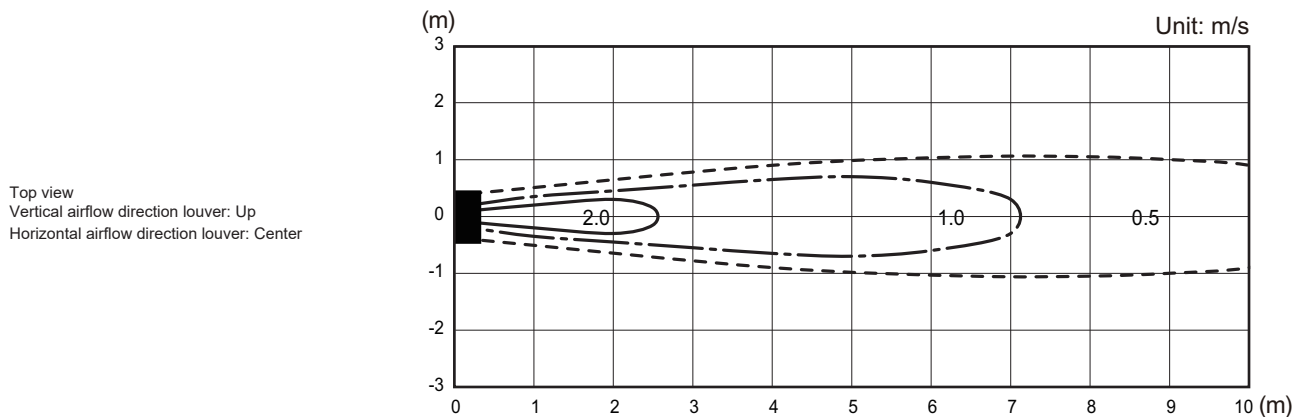
Side view
Vertical airflow direction louver: Down
Horizontal airflow direction louver: Center



5-4. Wall mounted type

■ **Models: ASYG07KGTB, ASYG09KGTB, ASYG07KMTB, ASYG09KMTB, ASYG12KMTB, ASYG07KMCC, ASYG09KMCC, ASYG12KMCC, ASYG07KETA, ASYG09KETA, ASYG12KETA, ASYG07KETA-B, ASYG09KETA-B, and ASYG12KETA-B**

| | | |
|----------------------|-----------|----------------|
| Measuring conditions | Fan speed | Operation mode |
| | HIGH | FAN |

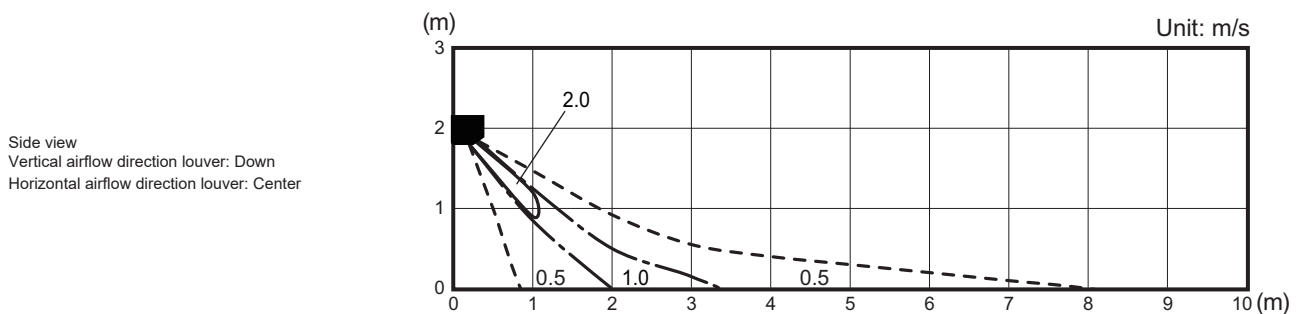
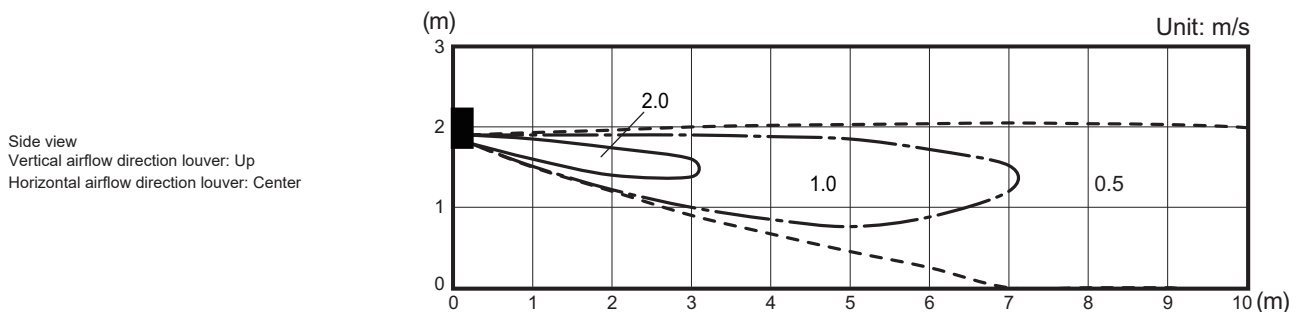
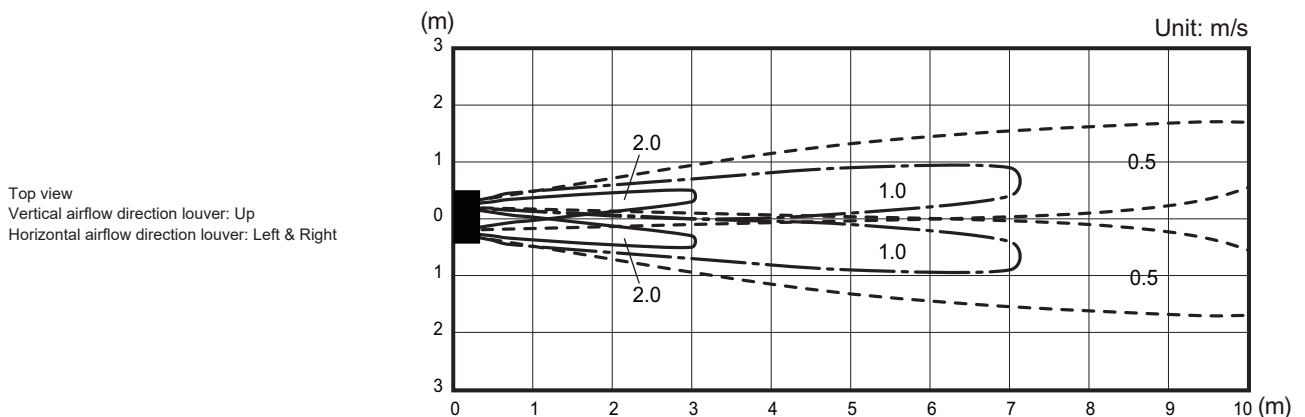
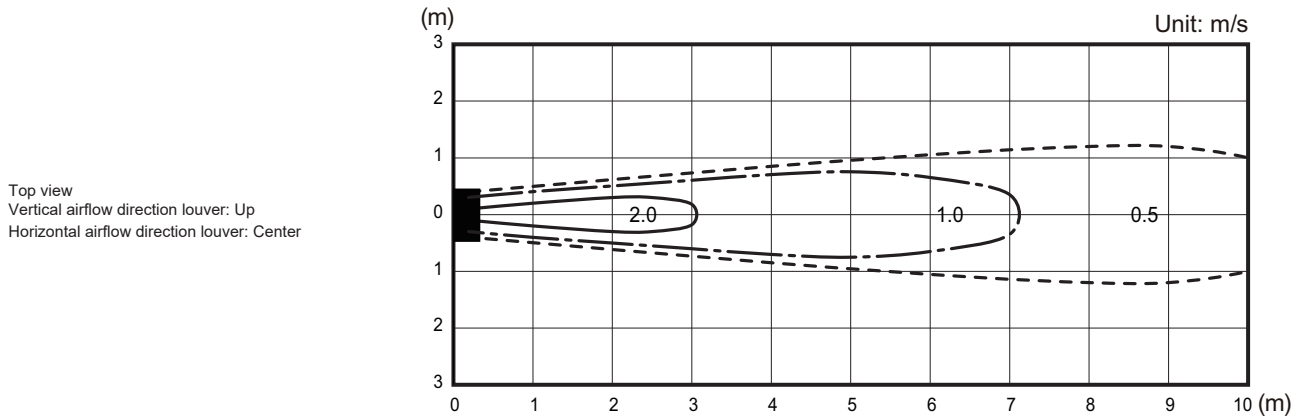


■ Models: ASYG12KGTB, ASYG14KGTB, ASYG14KMTB, ASYG14KMCC, ASYG14KETA, and ASYG14KETA-B

2-UNIT
MULTI-SPLIT TYPE

2-UNIT
MULTI-SPLIT TYPE

| | | |
|----------------------|-----------|----------------|
| Measuring conditions | Fan speed | Operation mode |
| | HIGH | FAN |

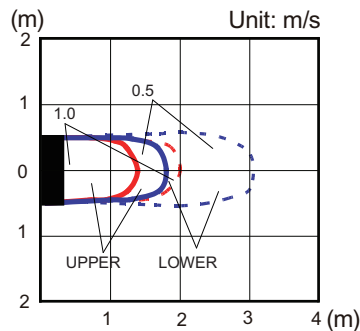


5-5. Floor type

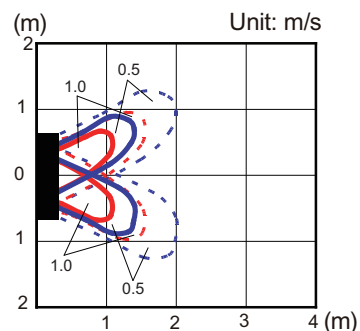
Models: AGYG09KVCA, AGYG12KVCA, and AGYG14KVCA

| | | | |
|----------------------|-----------|----------------|-----------------|
| Measuring conditions | Fan speed | Operation mode | Fan select |
| | HIGH | FAN | Upper and lower |

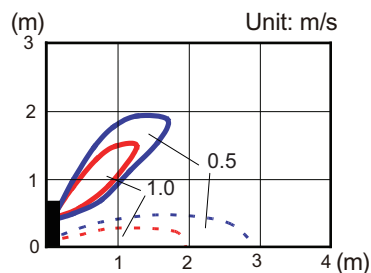
Top view
Vertical airflow direction louver: Up
Horizontal airflow direction louver: Center



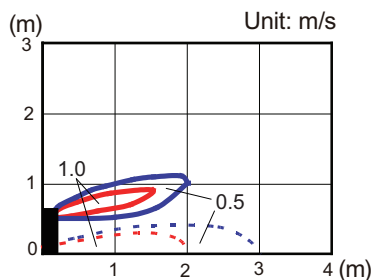
Top view
Vertical airflow direction louver: Up
Horizontal airflow direction louver: Left & Right



Side view
Vertical airflow direction louver: Up
Horizontal airflow direction louver: Center



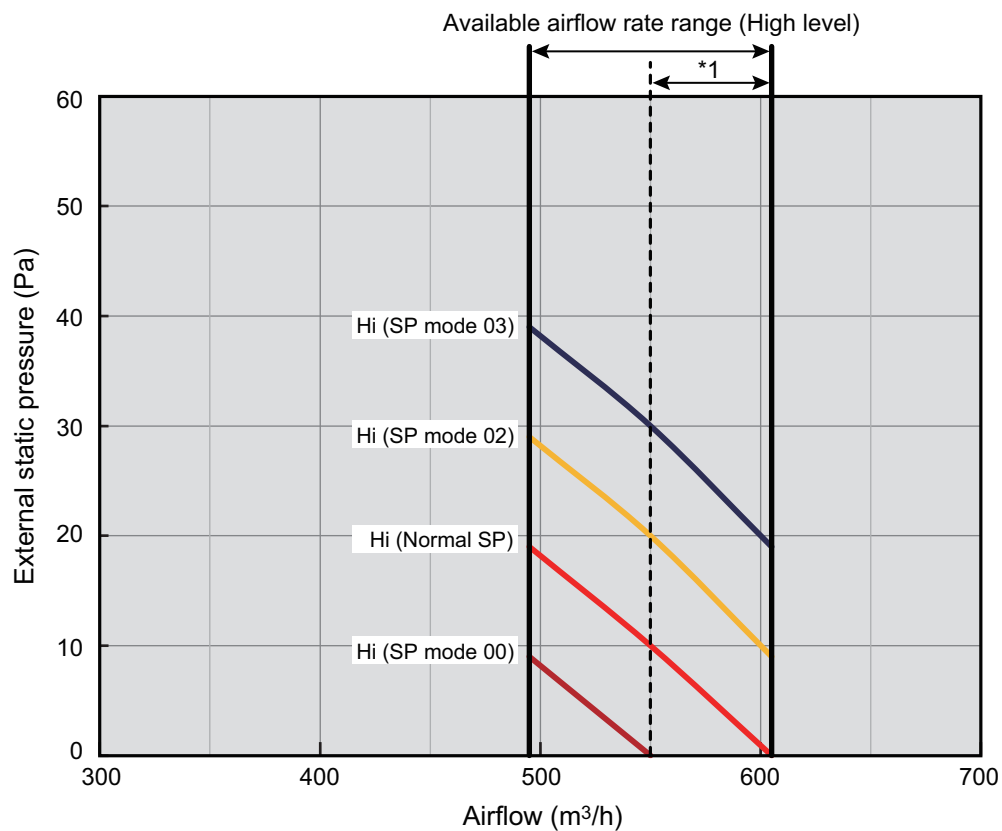
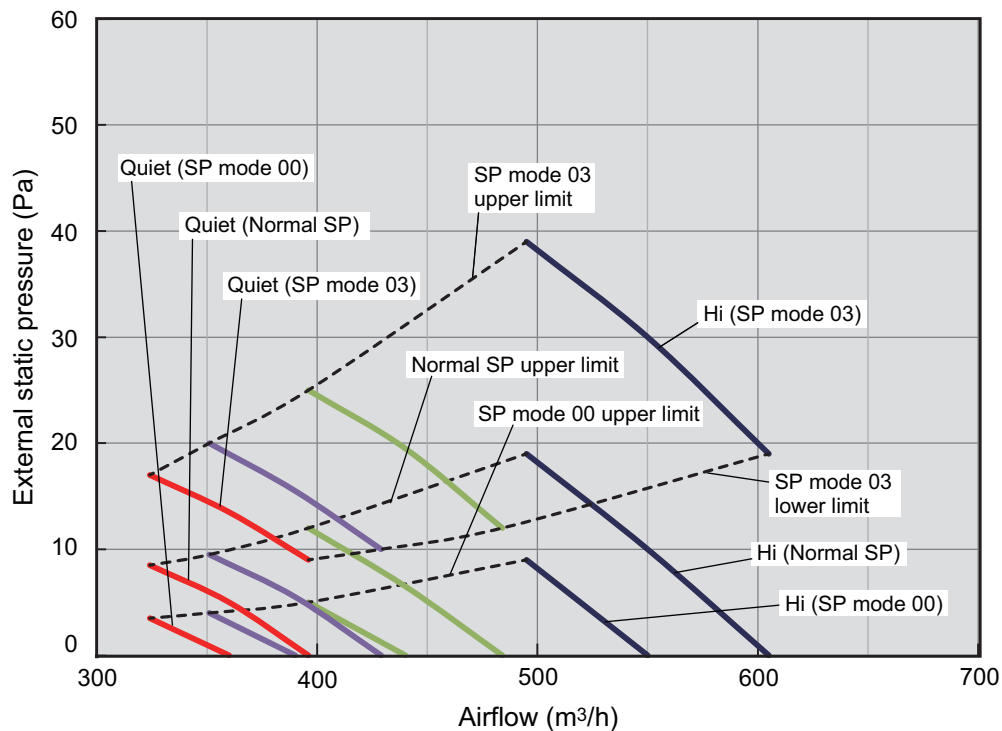
Side view
Vertical airflow direction louver: Down
Horizontal airflow direction louver: Center



6. Fan performance

6-1. Mini duct type

Model: ARXG07KSLAP



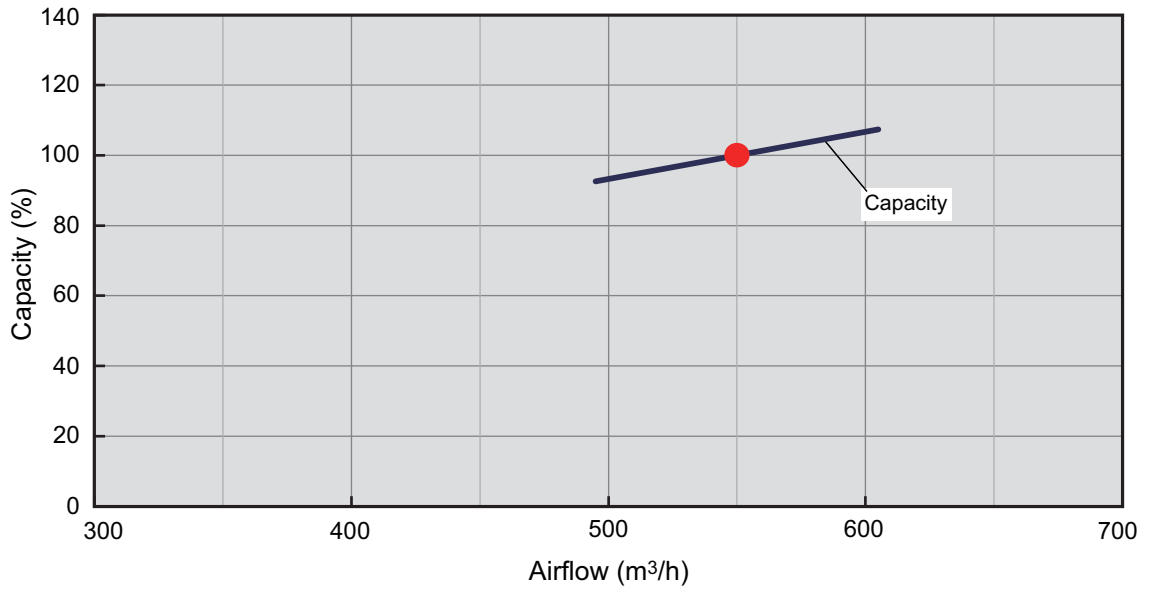
*1: Available airflow rate range when Auto louver grille (option) is installed.

Fan speed: HIGH

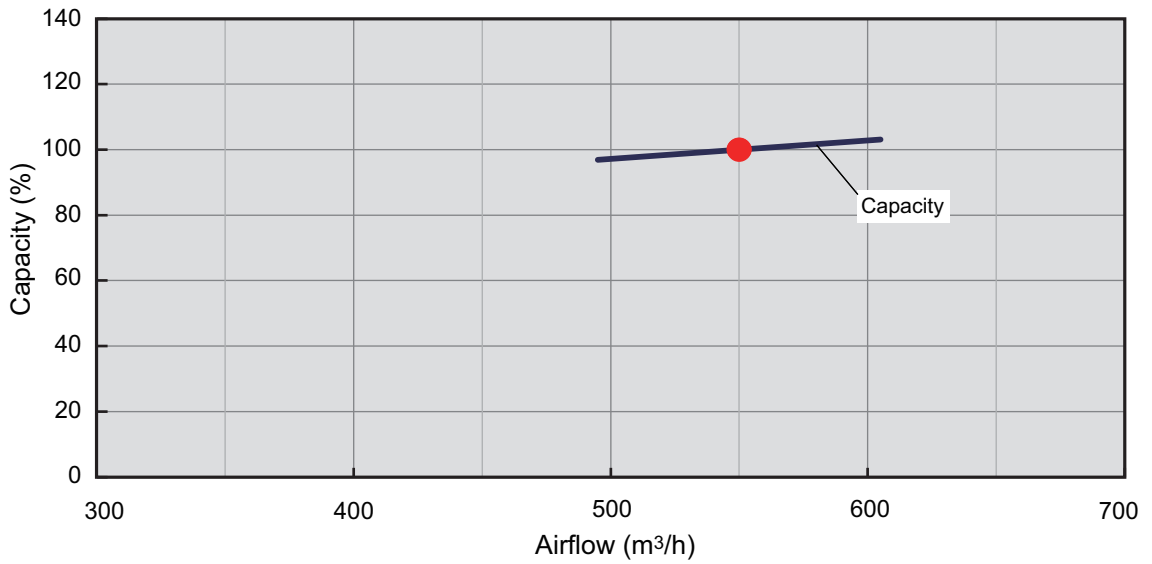
Vertical airflow direction louver: Up

● Characteristics of air volume and capacity

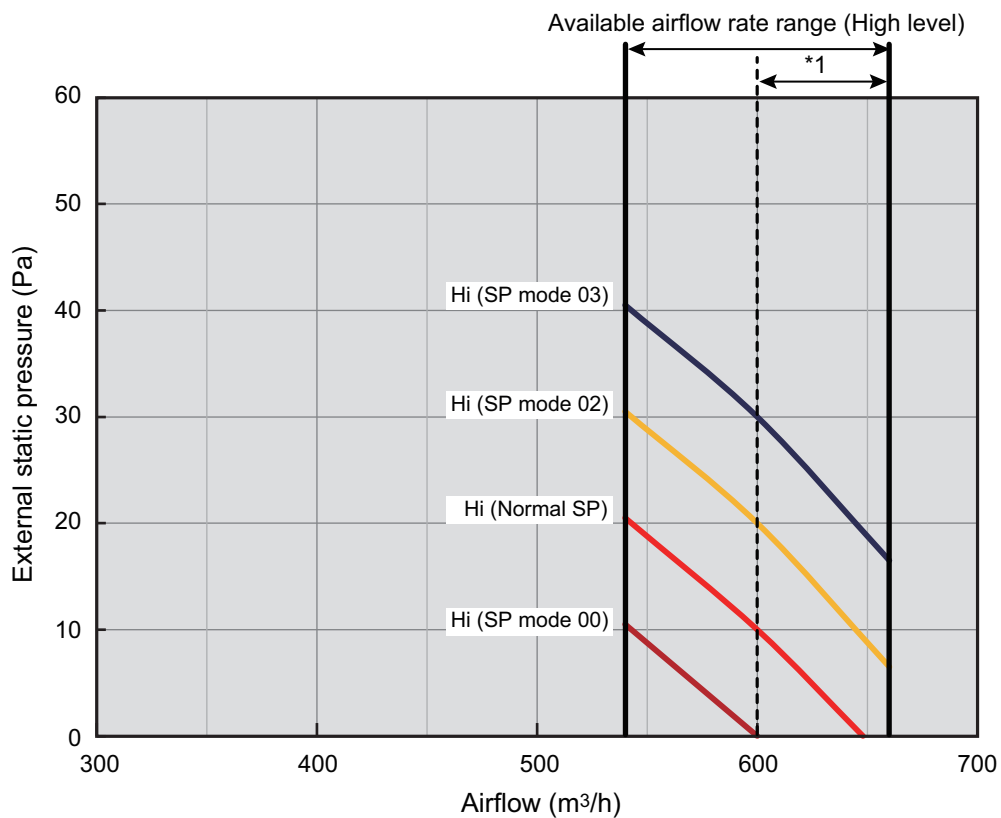
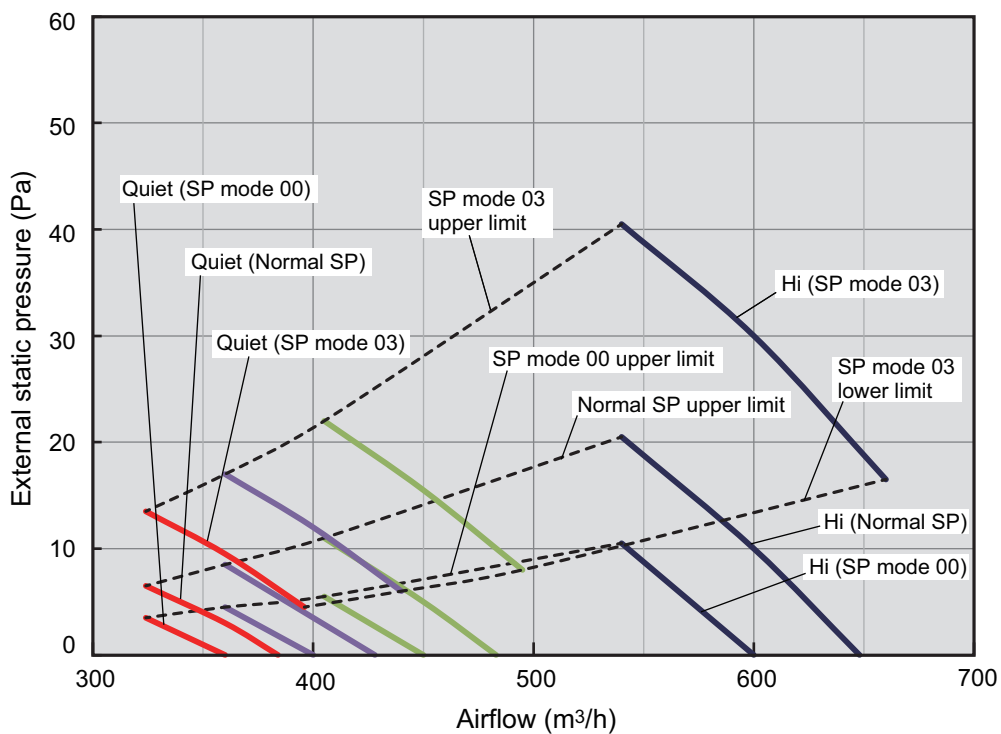
• Cooling



• Heating



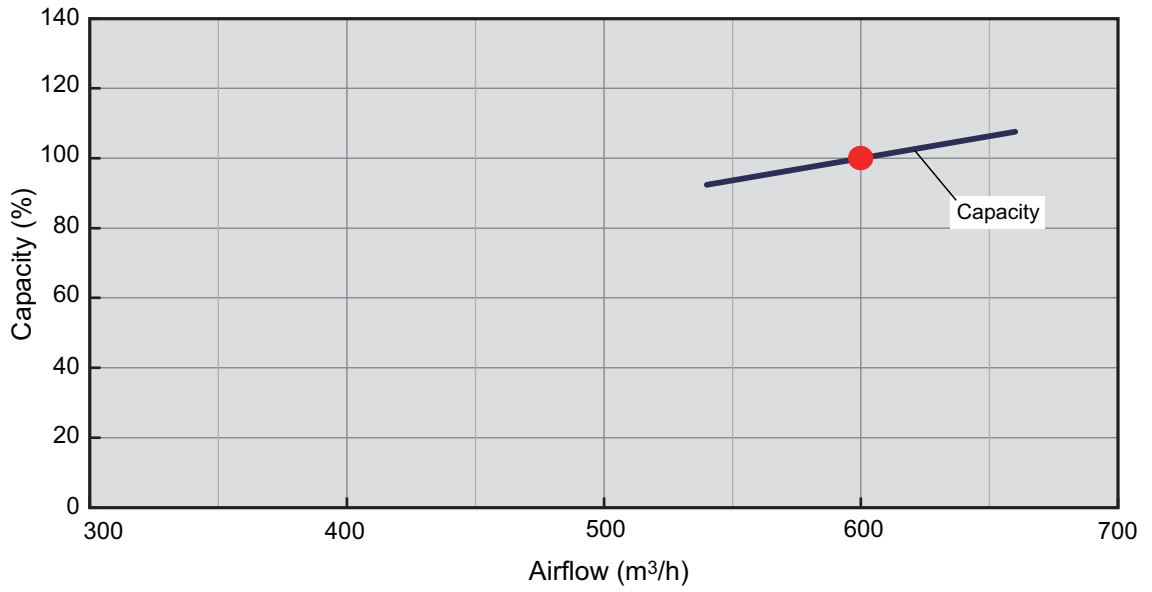
Model: ARXG09KSLAP



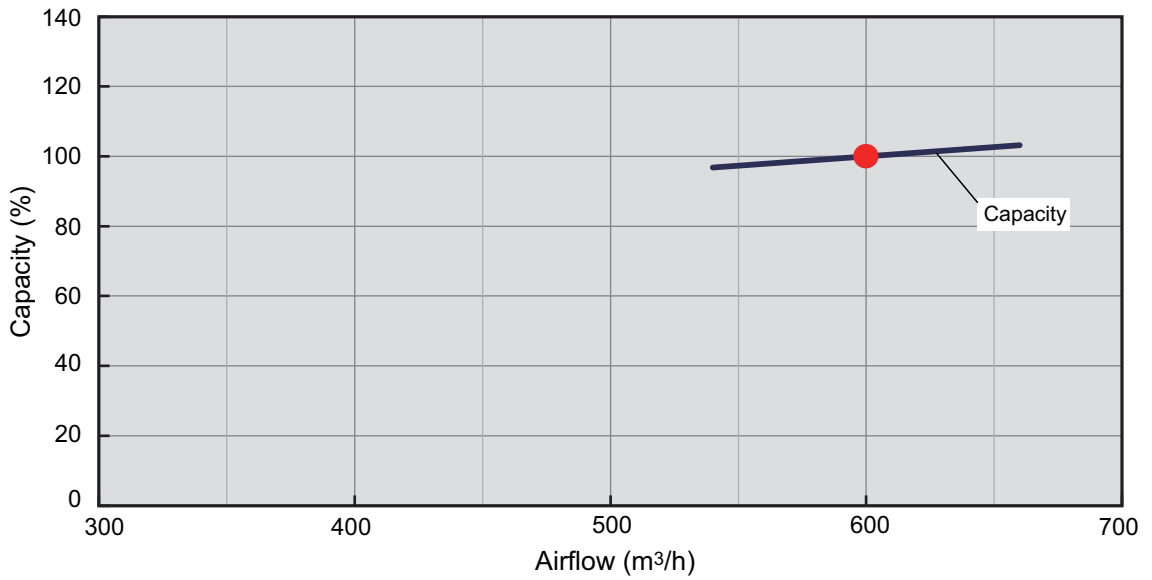
*1: Available airflow rate range when Auto louver grille (option) is installed.
 Fan speed: HIGH
 Vertical airflow direction louver: Up

● Characteristics of air volume and capacity

• Cooling



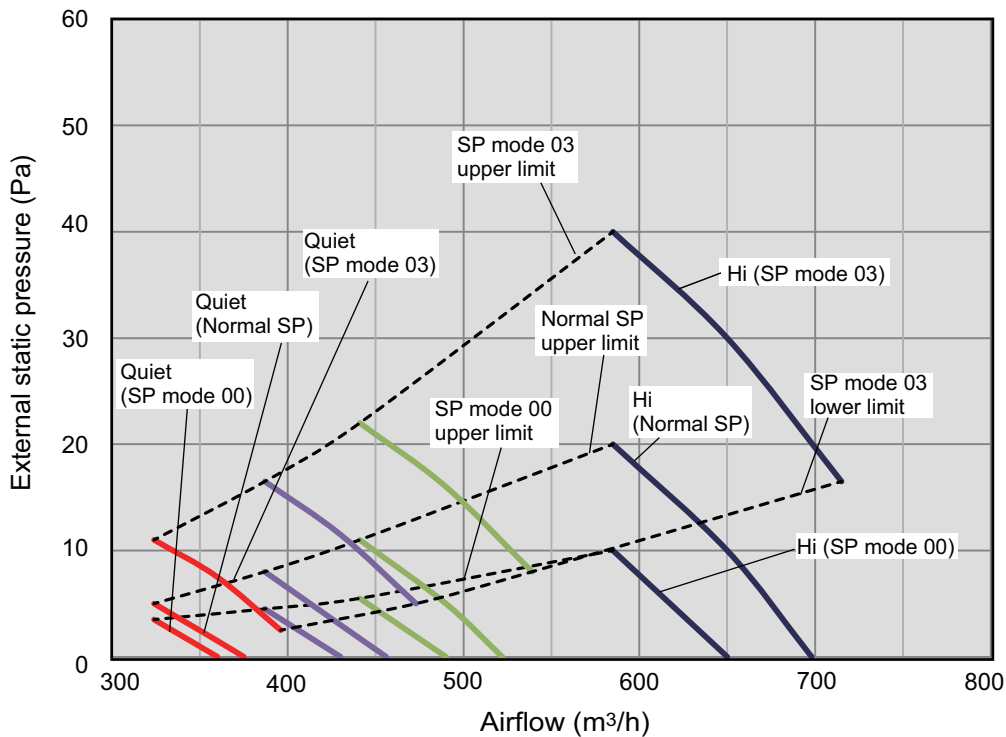
• Heating



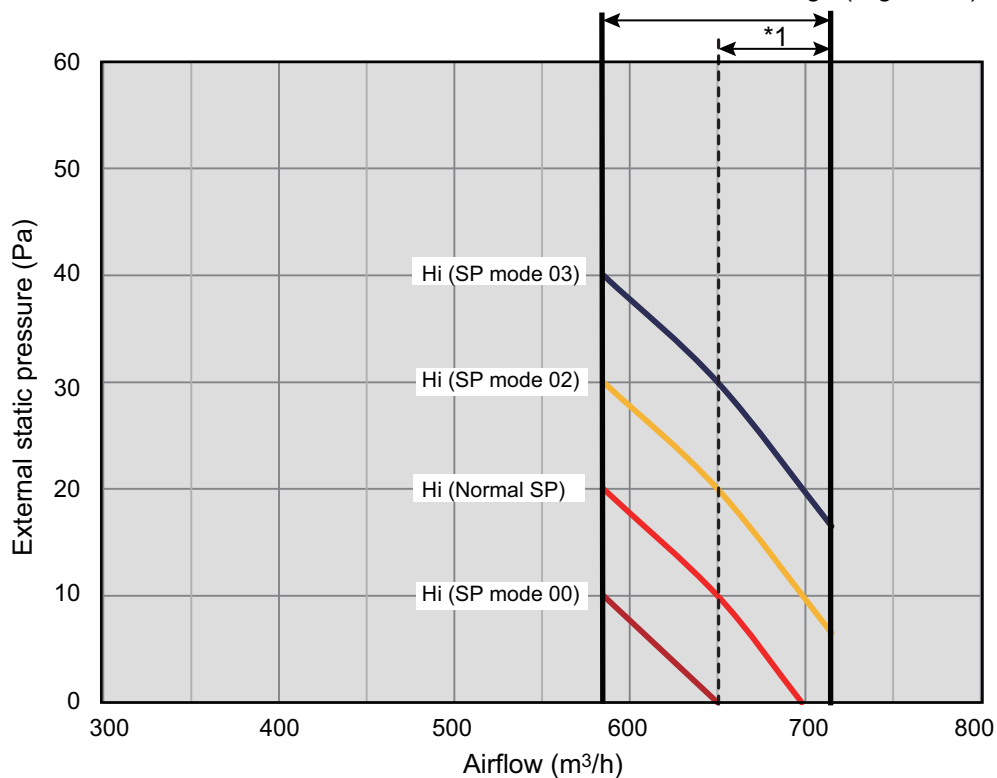
Model: ARXG12KSLAP

2-UNIT
MULTI-SPLIT TYPE

2-UNIT
MULTI-SPLIT TYPE



Available airflow rate range (High level)



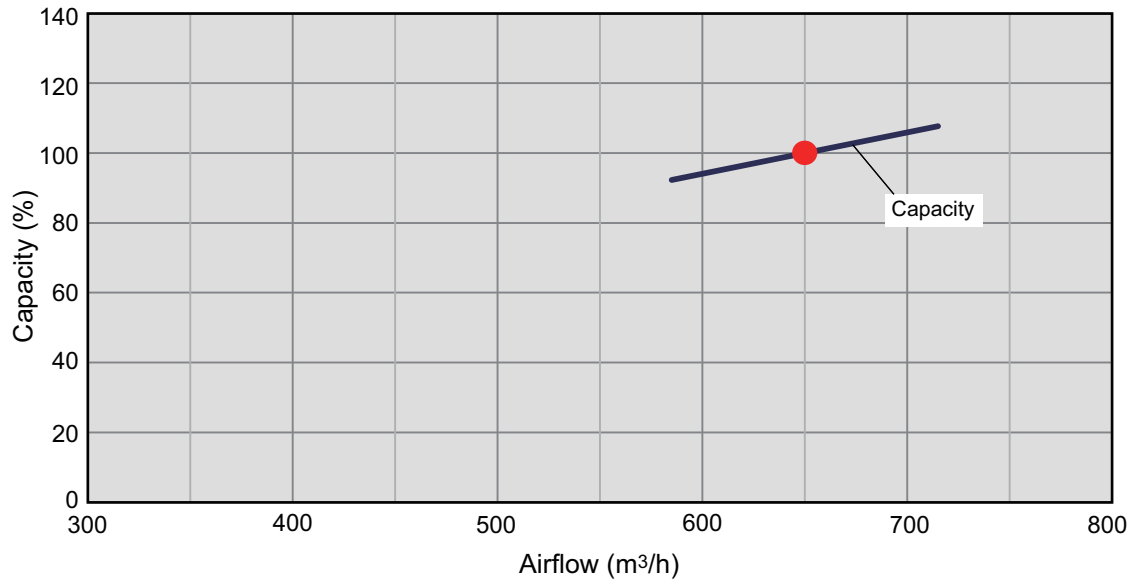
*1: Available airflow rate range when Auto louver grille (option) is installed.

Fan speed: HIGH

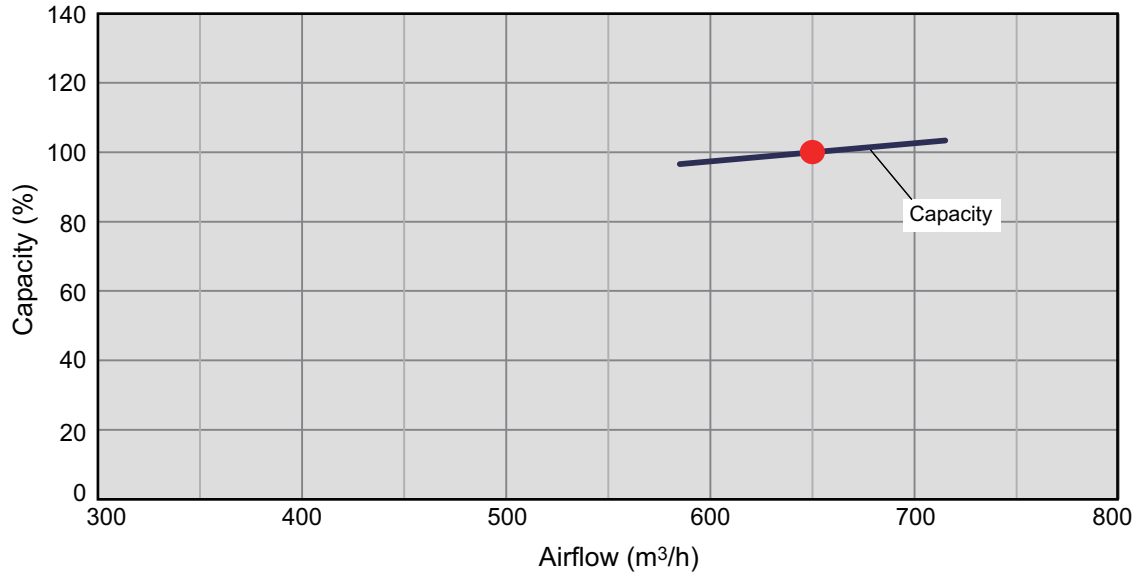
Vertical airflow direction louver: Up

● Characteristics of air volume and capacity

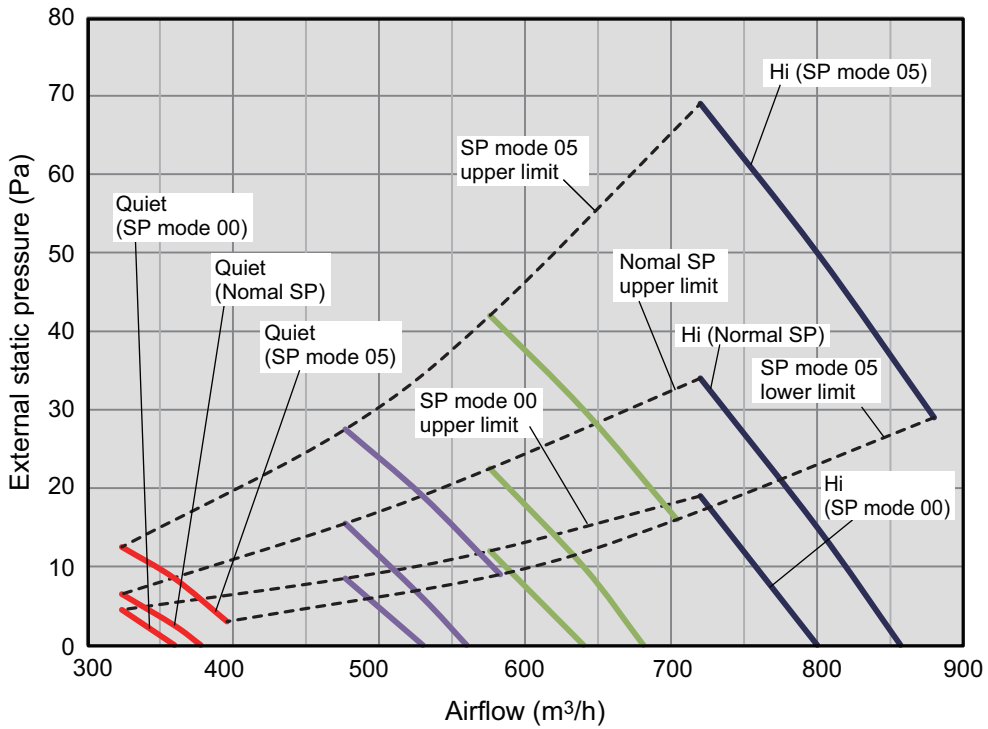
• Cooling



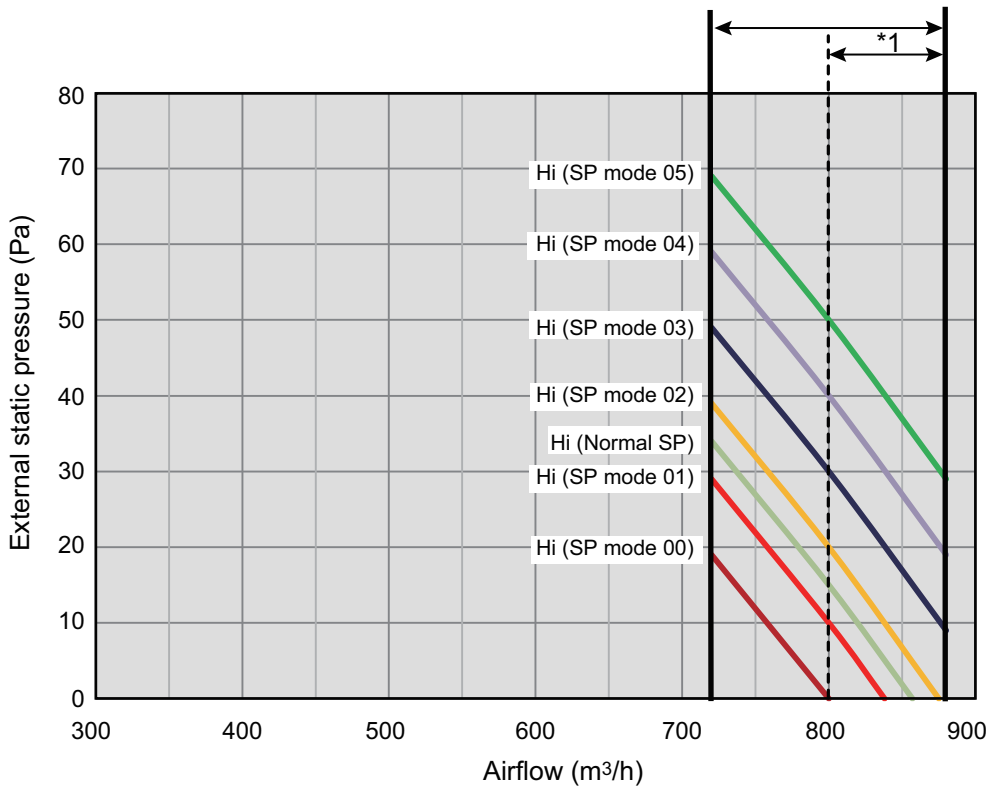
• Heating



Model: ARXG14KSLAP



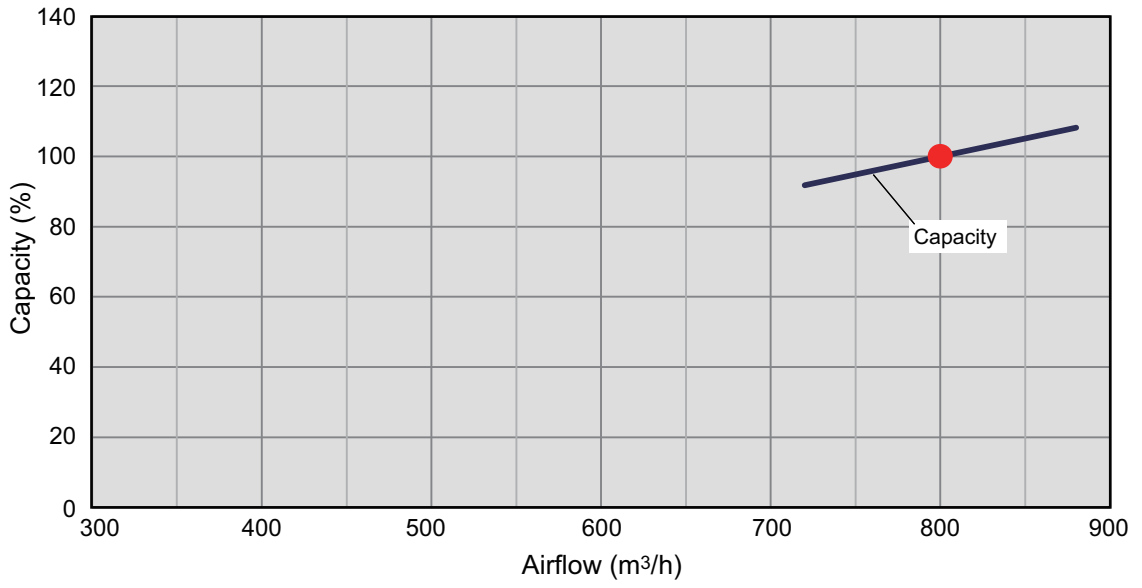
Available airflow rate range (High level)



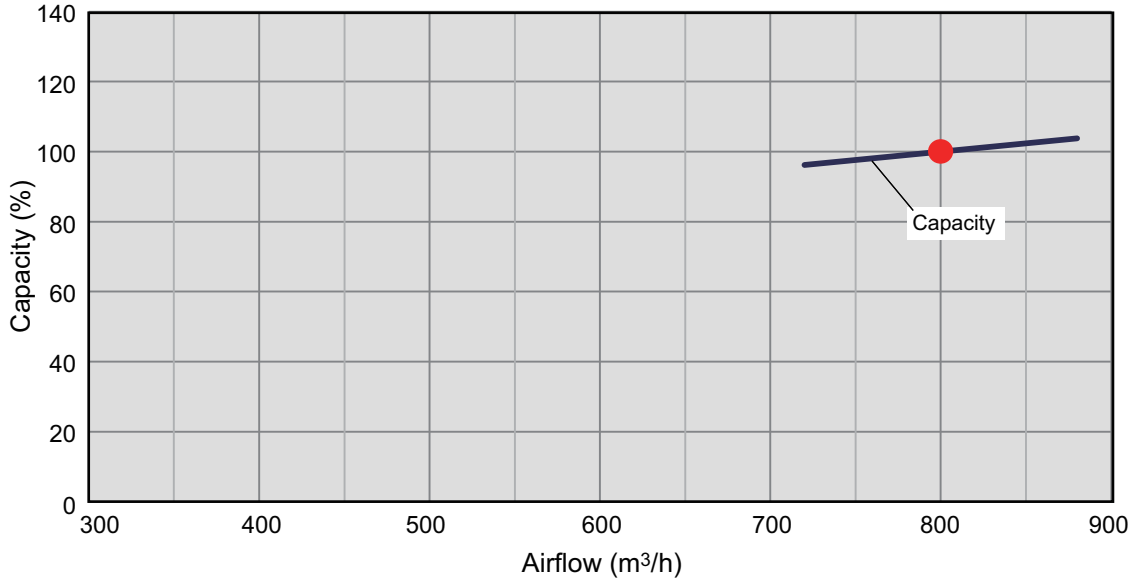
*1: Available airflow rate range when Auto louver grille (option) is installed.
 Fan speed: HIGH
 Vertical airflow direction louver: Up

● Characteristics of air volume and capacity

• Cooling

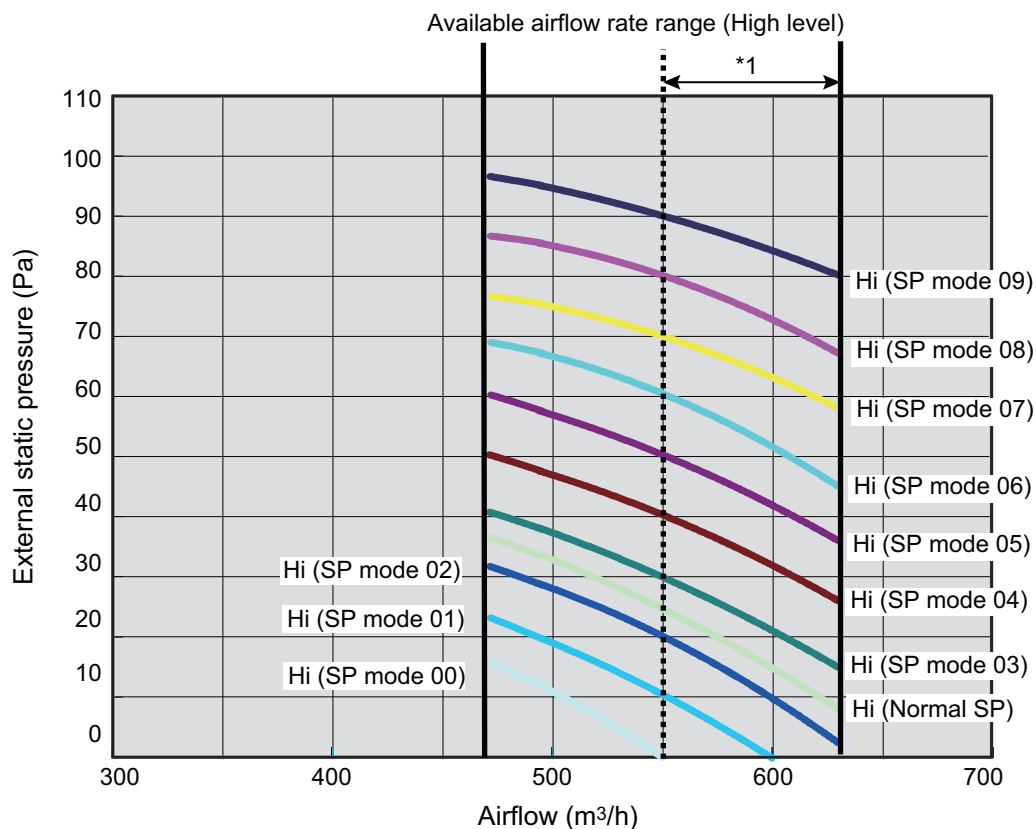
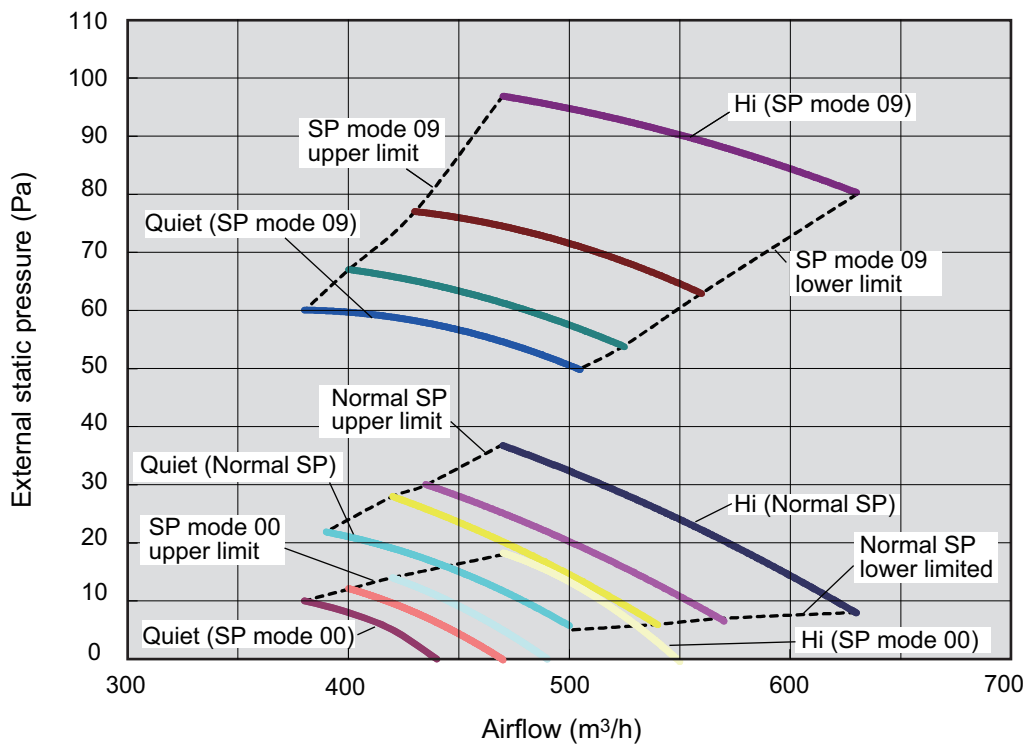


• Heating



6-2. Slim duct type

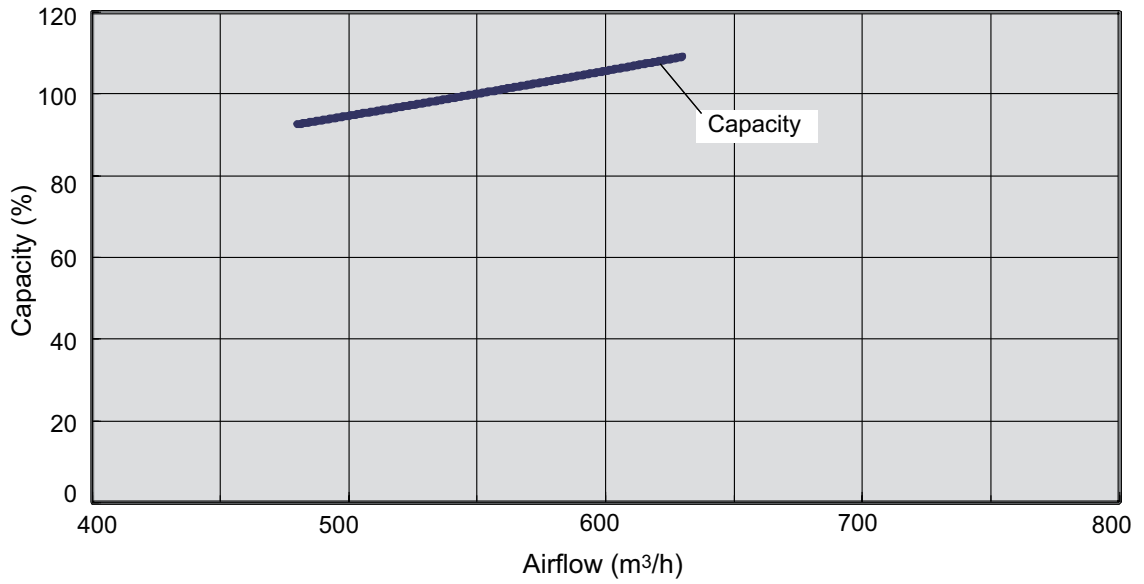
Model: ARXG07KLLAP



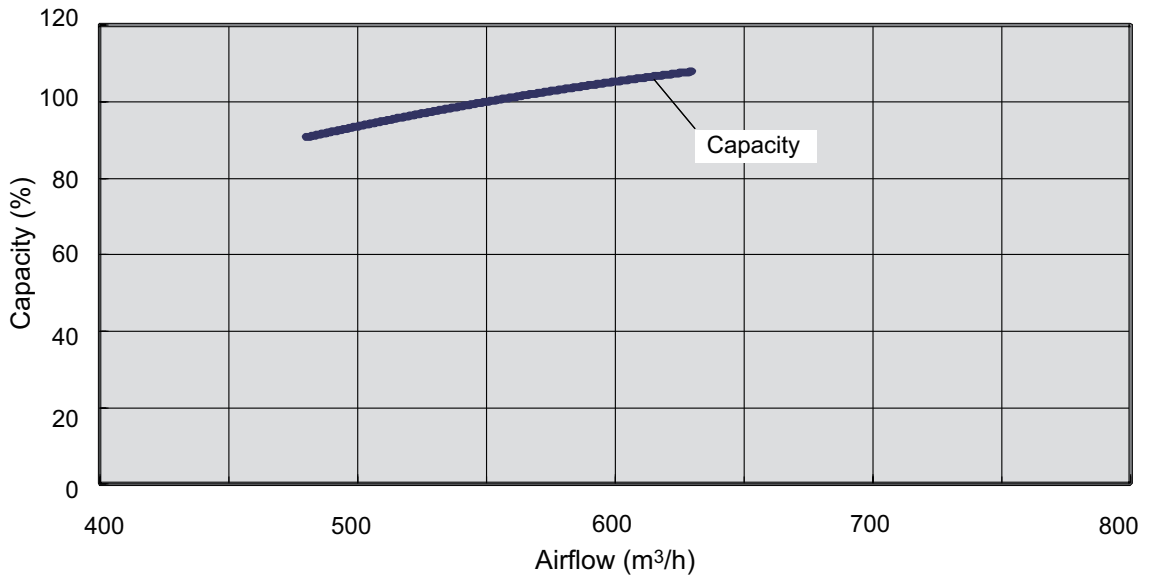
*1: Available airflow rate range when Auto louver grille (option) is installed.
 Fan speed: HIGH
 Vertical airflow direction louver: Up

● Characteristics of air volume and capacity

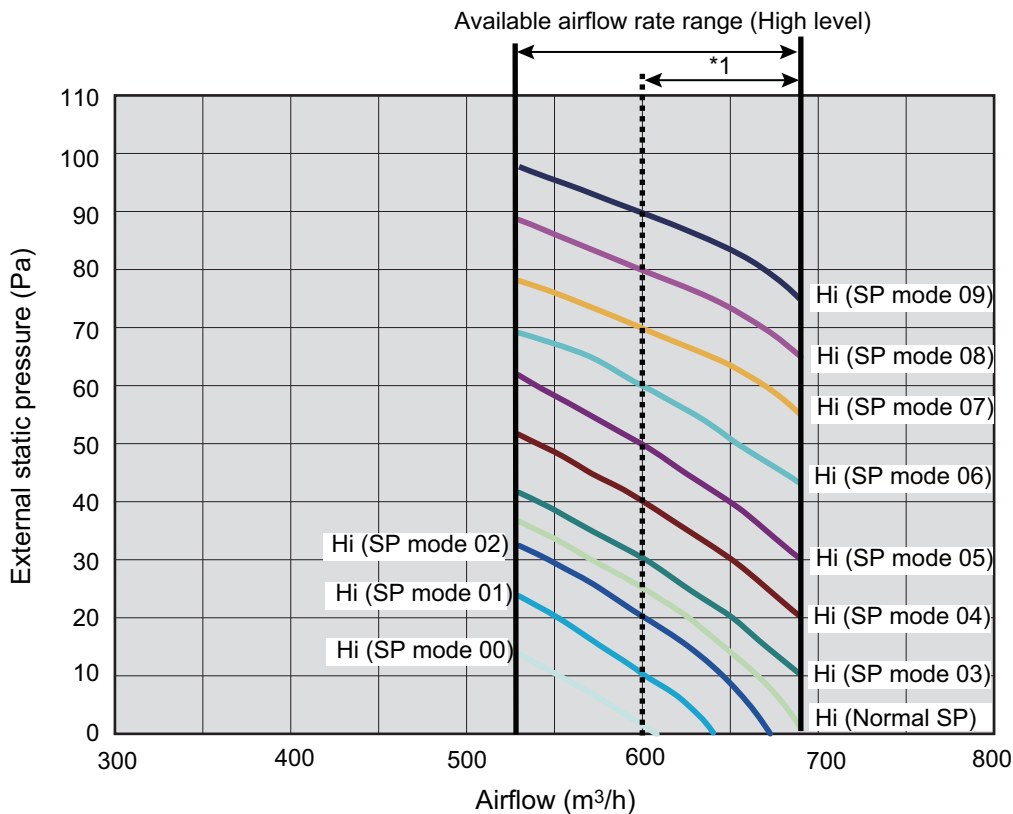
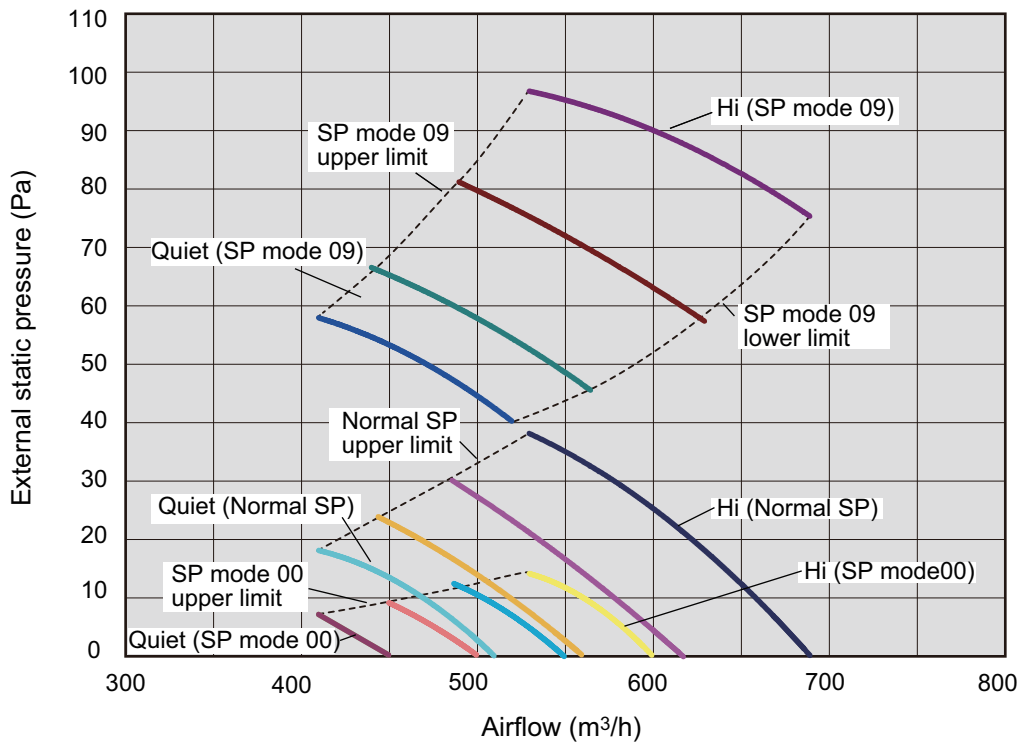
• Cooling



• Heating



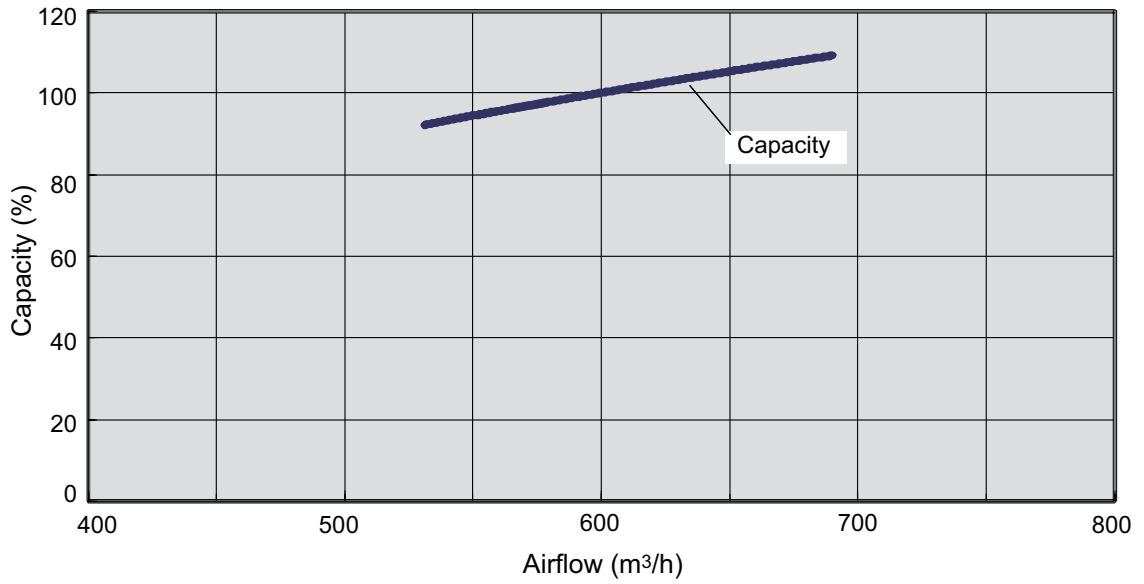
Model: ARXG09KLLAP



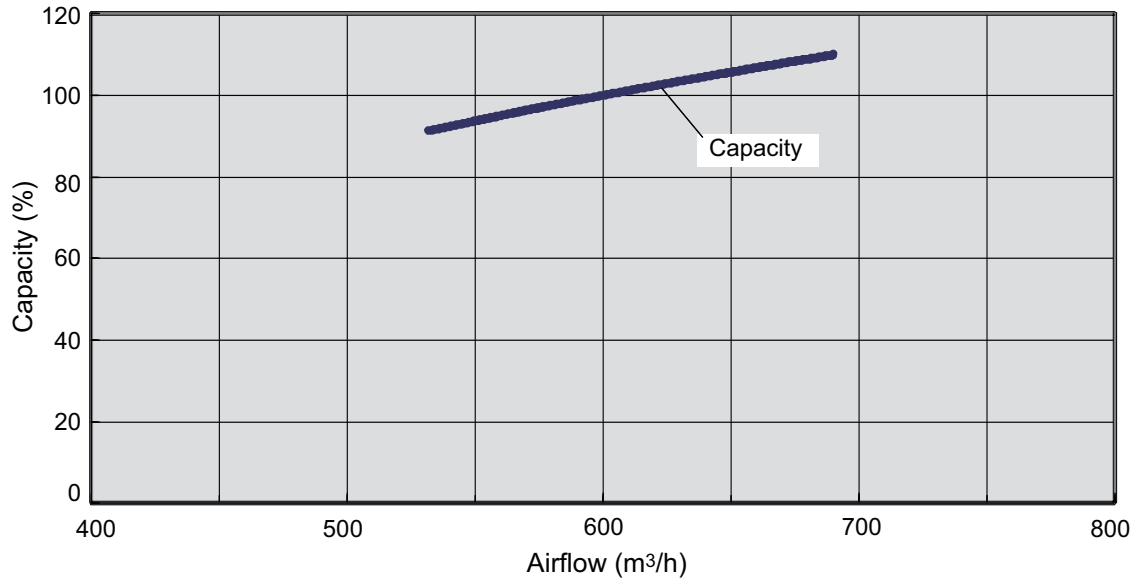
*1: Available airflow rate range when Auto louver grille (option) is installed.
 Fan speed: HIGH
 Vertical airflow direction louver: Up

● Characteristics of air volume and capacity

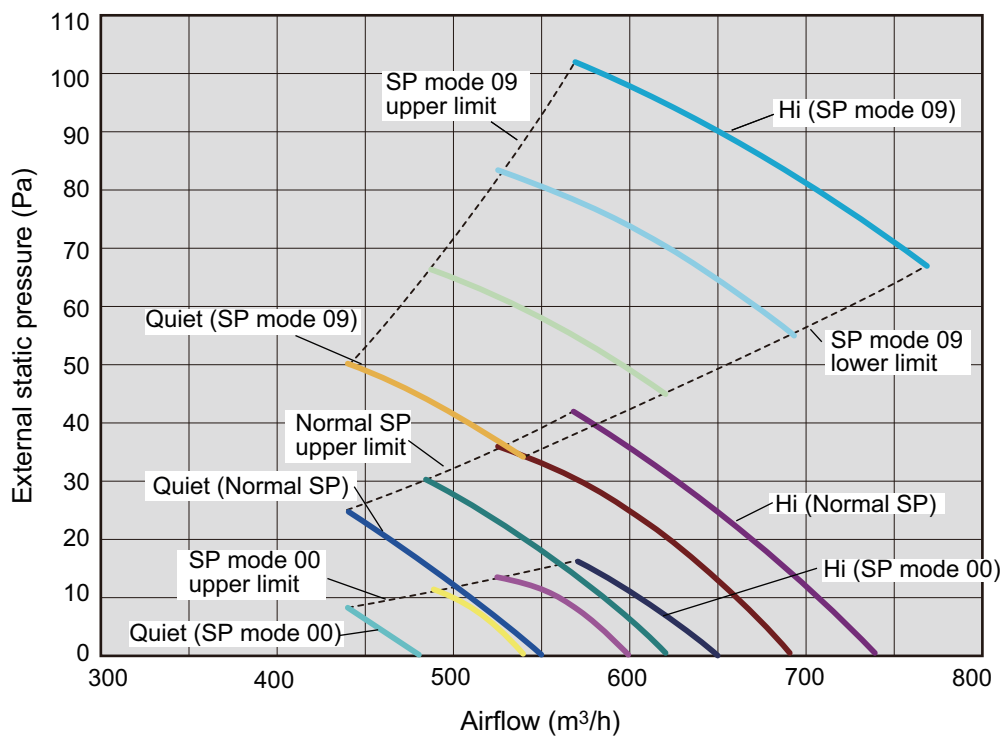
• Cooling



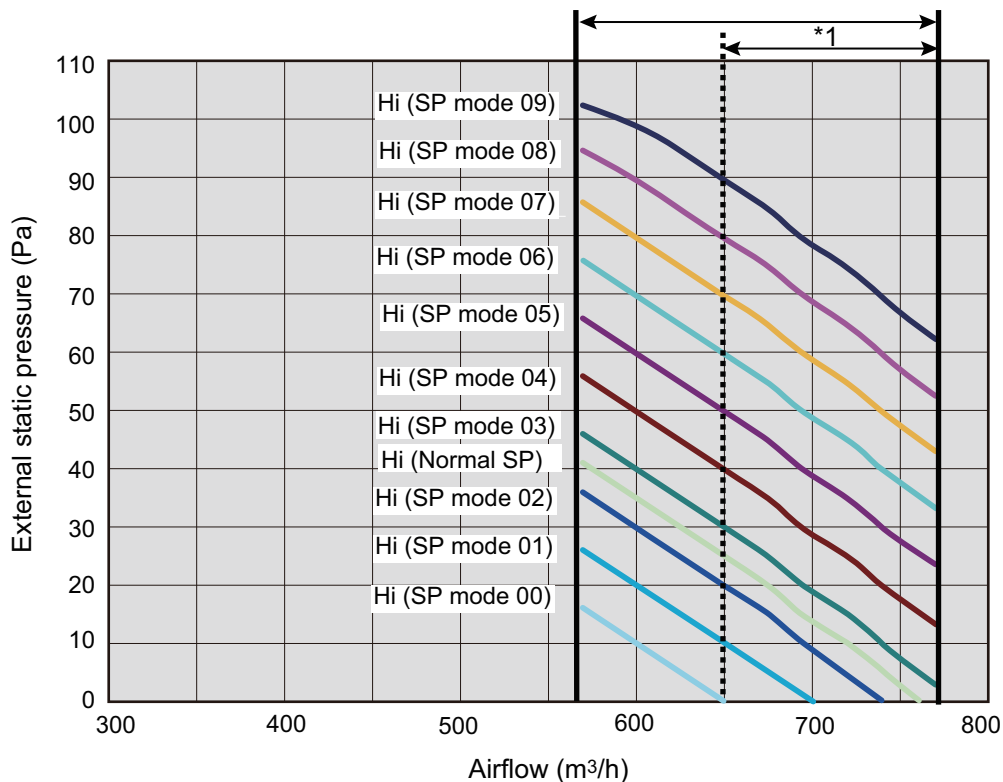
• Heating



Model: ARXG12KLLAP



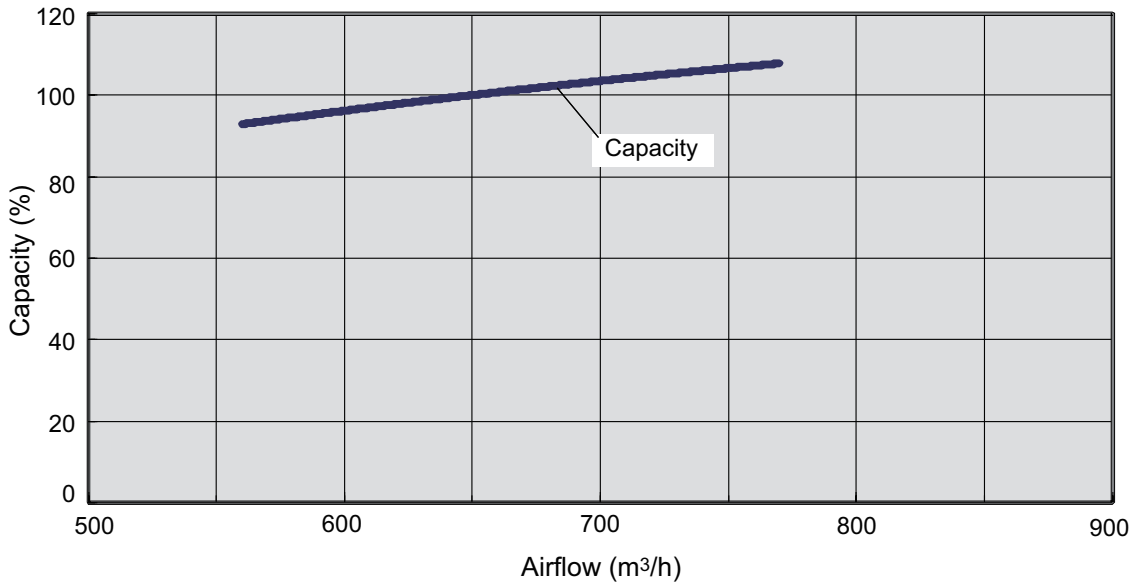
Available airflow rate range (High level)



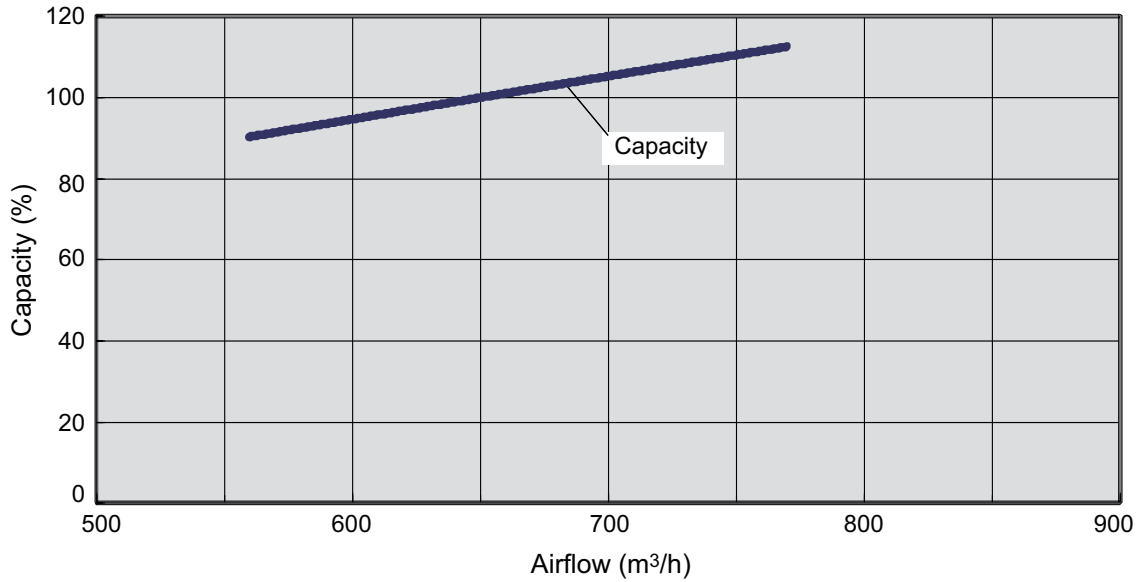
*1: Available airflow rate range when Auto louver grille (option) is installed.
 Fan speed: HIGH
 Vertical airflow direction louver: Up

● Characteristics of air volume and capacity

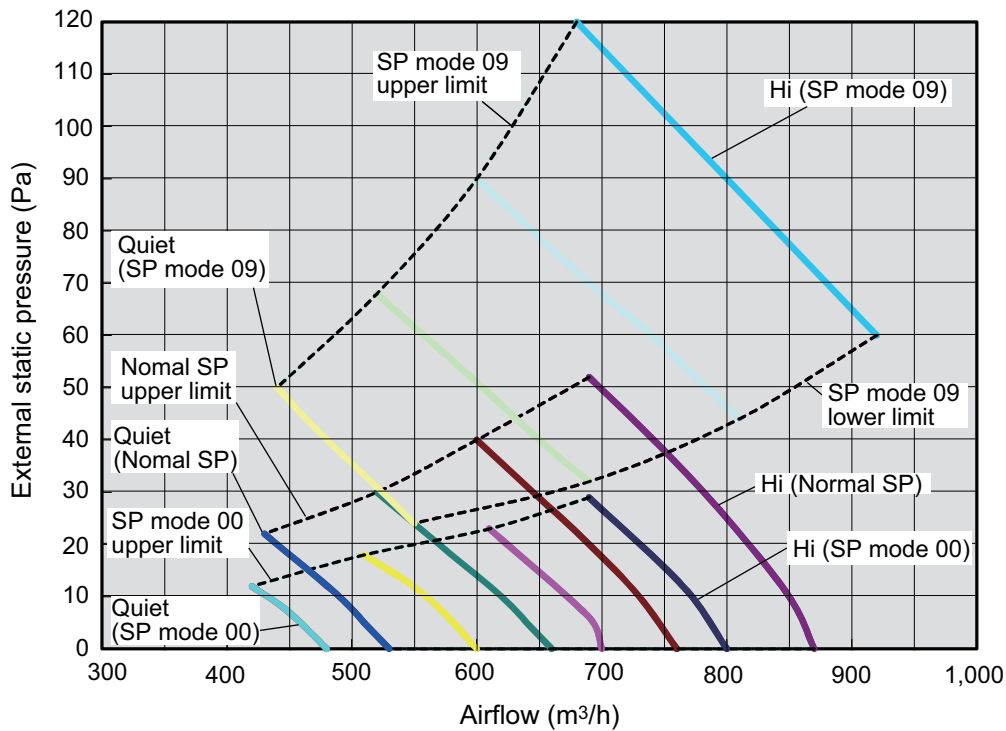
• Cooling



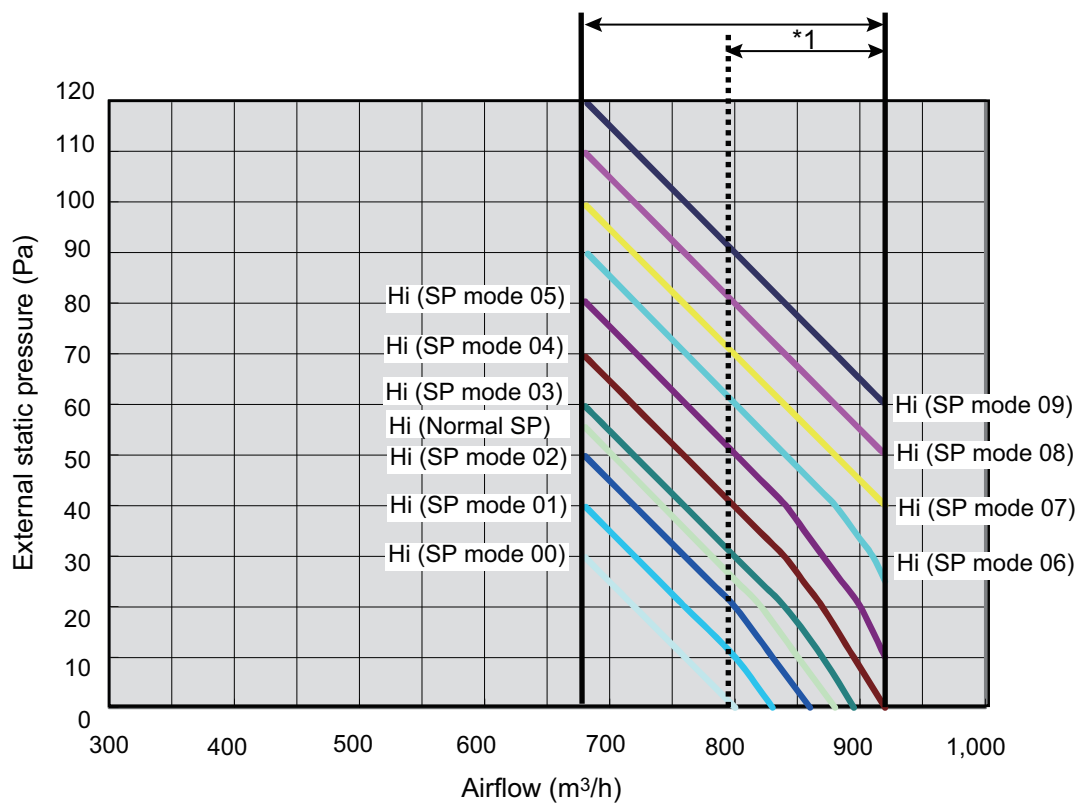
• Heating



Model: ARXG14KLLAP



Available airflow rate range (High level)



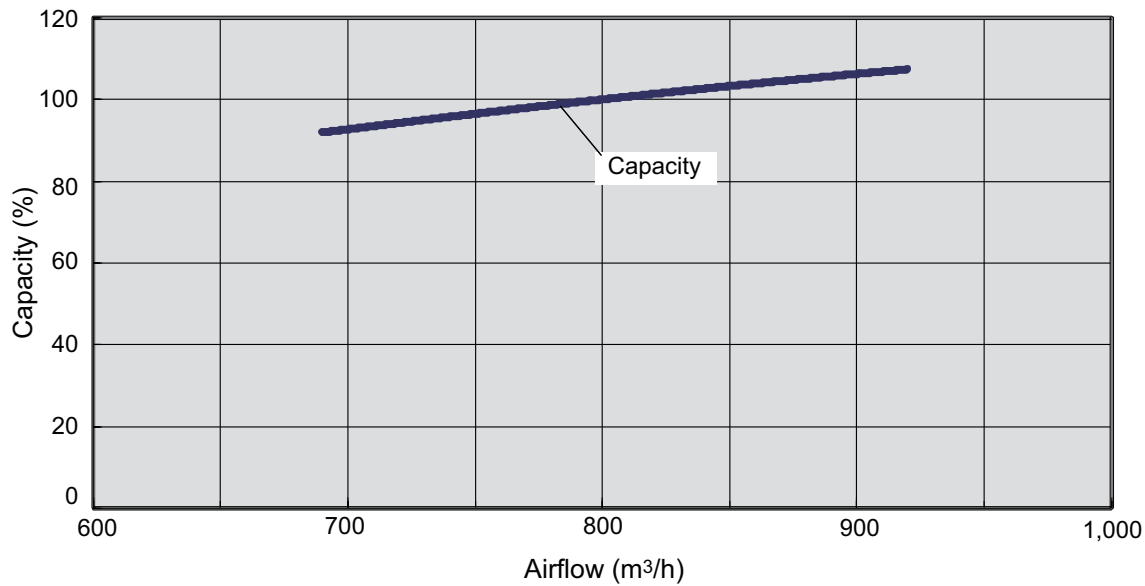
*1: Available airflow rate range when Auto louver grille (option) is installed.

Fan speed: HIGH

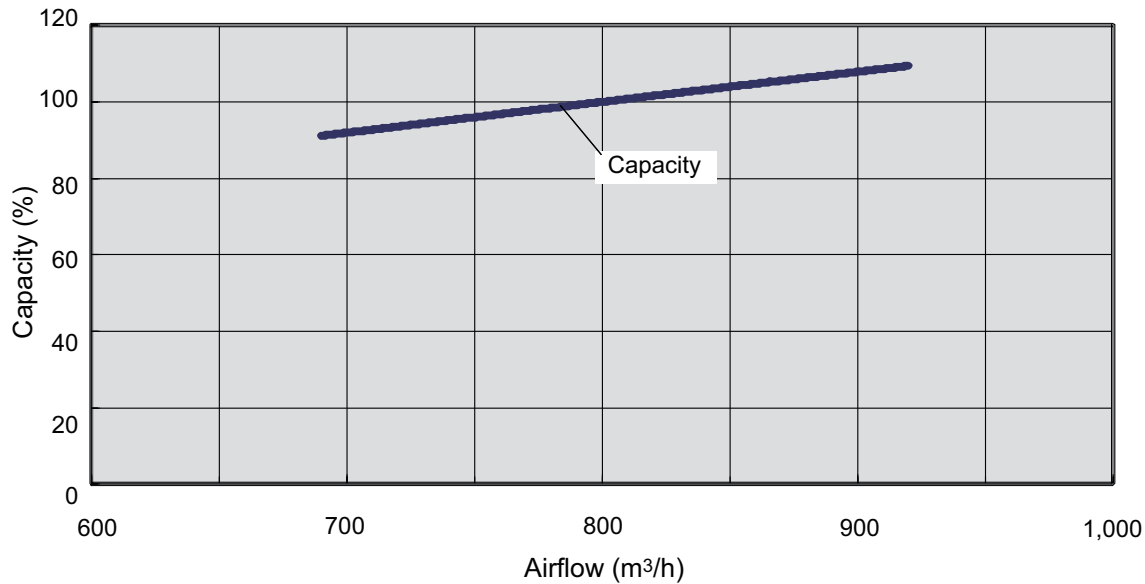
Vertical airflow direction louver: Up

● Characteristics of air volume and capacity

• Cooling



• Heating



7. Airflow

Conversion factor:

- $1 \text{ m}^3/\text{h} = 0.2778 \text{ l/s} = 0.5886 \text{ CFM}$
- $3.6 \text{ m}^3/\text{h} = 1 \text{ l/s}$
- $1.699 \text{ m}^3/\text{h} = 1 \text{ CFM}$

7-1. Compact cassette type

| Model | Operation mode | Fan speed | Airflow | | |
|--------------------------|----------------|-----------|-------------------|-----|-----|
| | | | m ³ /h | l/s | CFM |
| AUXG07KVLA AUXG09KVLA | Cooling | High | 540 | 150 | 318 |
| | | Med | 490 | 136 | 288 |
| | | Low | 440 | 122 | 259 |
| | | Quiet | 390 | 108 | 230 |
| | Heating | High | 540 | 150 | 318 |
| | | Med | 490 | 136 | 288 |
| | | Low | 440 | 122 | 259 |
| | | Quiet | 390 | 108 | 230 |
| AUXG12KVLA | Cooling | High | 610 | 169 | 359 |
| | | Med | 530 | 147 | 312 |
| | | Low | 470 | 131 | 277 |
| | | Quiet | 410 | 114 | 241 |
| | Heating | High | 610 | 169 | 359 |
| | | Med | 530 | 147 | 312 |
| | | Low | 470 | 131 | 277 |
| | | Quiet | 410 | 114 | 241 |
| AUXG14KVLA | Cooling | High | 680 | 189 | 400 |
| | | Med | 580 | 161 | 341 |
| | | Low | 490 | 136 | 288 |
| | | Quiet | 410 | 114 | 241 |
| | Heating | High | 790 | 219 | 465 |
| | | Med | 680 | 189 | 400 |
| | | Low | 580 | 161 | 341 |
| | | Quiet | 450 | 125 | 265 |

7-2. Mini duct type

| Model | Operation mode | Fan speed | Airflow | | |
|-------------|----------------|-----------|-------------------|-----|-----|
| | | | m ³ /h | l/s | CFM |
| ARXG07KSLAP | Cooling | High | 550 | 153 | 324 |
| | | Med | 440 | 122 | 259 |
| | | Low | 390 | 108 | 230 |
| | | Quiet | 360 | 100 | 212 |
| | Heating | High | 550 | 153 | 324 |
| | | Med | 440 | 122 | 259 |
| | | Low | 390 | 108 | 230 |
| | | Quiet | 360 | 100 | 212 |
| ARXG09KSLAP | Cooling | High | 600 | 167 | 353 |
| | | Med | 450 | 125 | 265 |
| | | Low | 400 | 111 | 235 |
| | | Quiet | 360 | 100 | 212 |
| | Heating | High | 600 | 167 | 353 |
| | | Med | 450 | 125 | 265 |
| | | Low | 400 | 111 | 235 |
| | | Quiet | 360 | 100 | 212 |
| ARXG12KSLAP | Cooling | High | 650 | 181 | 383 |
| | | Med | 490 | 136 | 288 |
| | | Low | 430 | 119 | 253 |
| | | Quiet | 360 | 100 | 212 |
| | Heating | High | 650 | 181 | 383 |
| | | Med | 490 | 136 | 288 |
| | | Low | 430 | 119 | 253 |
| | | Quiet | 360 | 100 | 212 |
| ARXG14KSLAP | Cooling | High | 800 | 222 | 471 |
| | | Med | 640 | 178 | 377 |
| | | Low | 530 | 147 | 312 |
| | | Quiet | 360 | 100 | 212 |
| | Heating | High | 800 | 222 | 471 |
| | | Med | 640 | 178 | 377 |
| | | Low | 530 | 147 | 312 |
| | | Quiet | 360 | 100 | 212 |

7-3. Slim duct type

| Model | Operation mode | Fan speed | Airflow | | |
|-------------|----------------|-----------|-------------------|-----|-----|
| | | | m ³ /h | l/s | CFM |
| ARXG07KLLAP | Cooling | High | 550 | 153 | 324 |
| | | Med | 490 | 136 | 288 |
| | | Low | 470 | 131 | 277 |
| | | Quiet | 440 | 122 | 259 |
| | Heating | High | 550 | 153 | 324 |
| | | Med | 490 | 136 | 288 |
| | | Low | 470 | 131 | 277 |
| | | Quiet | 440 | 122 | 259 |
| ARXG09KLLAP | Cooling | High | 600 | 167 | 353 |
| | | Med | 550 | 153 | 324 |
| | | Low | 500 | 139 | 294 |
| | | Quiet | 450 | 125 | 265 |
| | Heating | High | 600 | 167 | 353 |
| | | Med | 550 | 153 | 324 |
| | | Low | 500 | 139 | 294 |
| | | Quiet | 450 | 125 | 265 |
| ARXG12KLLAP | Cooling | High | 650 | 181 | 383 |
| | | Med | 600 | 167 | 353 |
| | | Low | 550 | 153 | 324 |
| | | Quiet | 480 | 133 | 283 |
| | Heating | High | 650 | 181 | 383 |
| | | Med | 600 | 167 | 353 |
| | | Low | 550 | 153 | 324 |
| | | Quiet | 480 | 133 | 283 |
| ARXG14KLLAP | Cooling | High | 800 | 222 | 471 |
| | | Med | 700 | 194 | 412 |
| | | Low | 600 | 167 | 353 |
| | | Quiet | 480 | 133 | 283 |
| | Heating | High | 800 | 222 | 471 |
| | | Med | 700 | 194 | 412 |
| | | Low | 600 | 167 | 353 |
| | | Quiet | 480 | 133 | 283 |

7-4. Wall mounted type

| Model | Operation mode | Fan speed | Airflow | | |
|------------|----------------|-----------|-------------------|-----|-----|
| | | | m ³ /h | l/s | CFM |
| ASYG07KGTB | Cooling | High | 650 | 181 | 383 |
| | | Med | 540 | 150 | 318 |
| | | Low | 430 | 119 | 253 |
| | | Quiet | 270 | 75 | 159 |
| | Heating | High | 720 | 200 | 424 |
| | | Med | 580 | 161 | 341 |
| | | Low | 460 | 128 | 271 |
| | | Quiet | 330 | 92 | 194 |
| ASYG09KGTB | Cooling | High | 700 | 194 | 412 |
| | | Med | 560 | 156 | 330 |
| | | Low | 430 | 119 | 253 |
| | | Quiet | 270 | 75 | 159 |
| | Heating | High | 750 | 208 | 441 |
| | | Med | 610 | 169 | 359 |
| | | Low | 470 | 131 | 277 |
| | | Quiet | 330 | 92 | 194 |
| ASYG12KGTB | Cooling | High | 700 | 194 | 412 |
| | | Med | 560 | 156 | 330 |
| | | Low | 430 | 119 | 253 |
| | | Quiet | 270 | 75 | 159 |
| | Heating | High | 770 | 214 | 453 |
| | | Med | 640 | 178 | 377 |
| | | Low | 520 | 144 | 306 |
| | | Quiet | 330 | 92 | 194 |
| ASYG14KGTB | Cooling | High | 770 | 214 | 453 |
| | | Med | 600 | 167 | 353 |
| | | Low | 450 | 125 | 265 |
| | | Quiet | 280 | 78 | 165 |
| | Heating | High | 800 | 222 | 471 |
| | | Med | 660 | 183 | 388 |
| | | Low | 520 | 144 | 306 |
| | | Quiet | 340 | 94 | 200 |
| ASYG07KMTB | Cooling | High | 650 | 181 | 383 |
| | | Med | 540 | 150 | 318 |
| | | Low | 430 | 119 | 253 |
| | | Quiet | 270 | 75 | 159 |
| | Heating | High | 720 | 200 | 424 |
| | | Med | 580 | 161 | 341 |
| | | Low | 460 | 128 | 271 |
| | | Quiet | 330 | 92 | 194 |
| ASYG09KMTB | Cooling | High | 700 | 194 | 412 |
| | | Med | 560 | 156 | 330 |
| | | Low | 430 | 119 | 253 |
| | | Quiet | 270 | 75 | 159 |
| | Heating | High | 750 | 208 | 441 |
| | | Med | 610 | 169 | 359 |
| | | Low | 470 | 131 | 277 |
| | | Quiet | 330 | 92 | 194 |

| Model | Operation mode | Fan speed | Airflow | | |
|------------|----------------|-----------|-------------------|-----|-----|
| | | | m ³ /h | l/s | CFM |
| ASYG12KMTB | Cooling | High | 700 | 194 | 412 |
| | | Med | 560 | 156 | 330 |
| | | Low | 430 | 119 | 253 |
| | | Quiet | 270 | 75 | 159 |
| | Heating | High | 770 | 214 | 453 |
| | | Med | 640 | 178 | 377 |
| | | Low | 520 | 144 | 306 |
| | | Quiet | 330 | 92 | 194 |
| ASYG14KMTB | Cooling | High | 770 | 214 | 453 |
| | | Med | 600 | 167 | 353 |
| | | Low | 450 | 125 | 265 |
| | | Quiet | 280 | 78 | 165 |
| | Heating | High | 800 | 222 | 471 |
| | | Med | 660 | 183 | 388 |
| | | Low | 520 | 144 | 306 |
| | | Quiet | 340 | 94 | 200 |
| ASYG07KMCC | Cooling | High | 650 | 181 | 383 |
| | | Med | 540 | 150 | 318 |
| | | Low | 430 | 119 | 253 |
| | | Quiet | 320 | 89 | 188 |
| | Heating | High | 720 | 200 | 424 |
| | | Med | 580 | 161 | 341 |
| | | Low | 460 | 128 | 271 |
| | | Quiet | 330 | 92 | 194 |
| ASYG09KMCC | Cooling | High | 700 | 194 | 412 |
| | | Med | 560 | 156 | 330 |
| | | Low | 430 | 119 | 253 |
| | | Quiet | 320 | 89 | 188 |
| | Heating | High | 750 | 208 | 441 |
| | | Med | 610 | 169 | 359 |
| | | Low | 470 | 131 | 277 |
| | | Quiet | 330 | 92 | 194 |
| ASYG12KMCC | Cooling | High | 700 | 194 | 412 |
| | | Med | 560 | 156 | 330 |
| | | Low | 430 | 119 | 253 |
| | | Quiet | 320 | 89 | 188 |
| | Heating | High | 780 | 217 | 459 |
| | | Med | 640 | 178 | 377 |
| | | Low | 520 | 144 | 306 |
| | | Quiet | 330 | 92 | 194 |
| ASYG14KMCC | Cooling | High | 770 | 214 | 453 |
| | | Med | 600 | 167 | 353 |
| | | Low | 450 | 125 | 265 |
| | | Quiet | 310 | 86 | 182 |
| | Heating | High | 820 | 228 | 483 |
| | | Med | 660 | 183 | 388 |
| | | Low | 520 | 144 | 306 |
| | | Quiet | 340 | 94 | 200 |

| Model | Operation mode | Fan speed | Airflow | | |
|----------------------------|----------------|-----------|-------------------|-----|-----|
| | | | m ³ /h | l/s | CFM |
| ASYG07KETA ASYG07KETA-B | Cooling | High | 650 | 181 | 383 |
| | | Med | 540 | 150 | 318 |
| | | Low | 430 | 119 | 253 |
| | | Quiet | 270 | 75 | 159 |
| | Heating | High | 720 | 200 | 424 |
| | | Med | 580 | 161 | 341 |
| | | Low | 460 | 128 | 271 |
| | | Quiet | 330 | 92 | 194 |
| ASYG09KETA ASYG09KETA-B | Cooling | High | 700 | 194 | 412 |
| | | Med | 560 | 156 | 330 |
| | | Low | 430 | 119 | 253 |
| | | Quiet | 270 | 75 | 159 |
| | Heating | High | 750 | 208 | 441 |
| | | Med | 610 | 169 | 359 |
| | | Low | 470 | 131 | 277 |
| | | Quiet | 330 | 92 | 194 |
| ASYG12KETA ASYG12KETA-B | Cooling | High | 700 | 194 | 412 |
| | | Med | 560 | 156 | 330 |
| | | Low | 430 | 119 | 253 |
| | | Quiet | 270 | 75 | 159 |
| | Heating | High | 770 | 214 | 453 |
| | | Med | 640 | 178 | 377 |
| | | Low | 520 | 144 | 306 |
| | | Quiet | 330 | 92 | 194 |
| ASYG14KETA ASYG14KETA-B | Cooling | High | 770 | 214 | 453 |
| | | Med | 600 | 167 | 353 |
| | | Low | 450 | 125 | 265 |
| | | Quiet | 280 | 78 | 165 |
| | Heating | High | 800 | 222 | 471 |
| | | Med | 660 | 183 | 388 |
| | | Low | 520 | 144 | 306 |
| | | Quiet | 340 | 94 | 200 |

7-5. Floor type

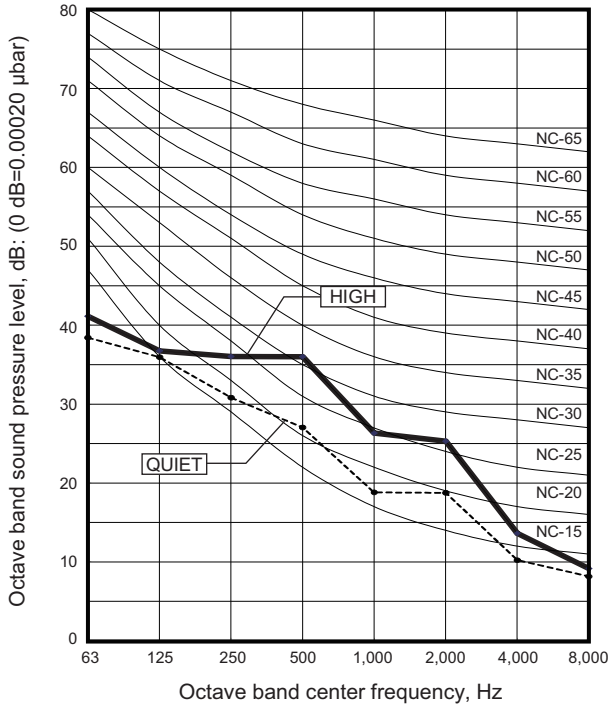
| Model | Operation mode | Fan speed | Airflow | | |
|------------|----------------|-----------|-------------------|-----|-----|
| | | | m ³ /h | l/s | CFM |
| AGYG09KVCA | Cooling | High | 530 | 147 | 312 |
| | | Med | 440 | 111 | 235 |
| | | Low | 360 | 100 | 212 |
| | | Quiet | 270 | 75 | 159 |
| | Heating | High | 530 | 147 | 312 |
| | | Med | 460 | 128 | 271 |
| | | Low | 380 | 106 | 224 |
| | | Quiet | 270 | 75 | 159 |
| AGYG12KVCA | Cooling | High | 600 | 167 | 353 |
| | | Med | 490 | 136 | 288 |
| | | Low | 380 | 106 | 224 |
| | | Quiet | 270 | 75 | 159 |
| | Heating | High | 600 | 167 | 353 |
| | | Med | 510 | 142 | 300 |
| | | Low | 410 | 114 | 241 |
| | | Quiet | 270 | 75 | 159 |
| AGYG14KVCA | Cooling | High | 650 | 181 | 383 |
| | | Med | 520 | 144 | 306 |
| | | Low | 400 | 131 | 277 |
| | | Quiet | 270 | 75 | 159 |
| | Heating | High | 650 | 181 | 383 |
| | | Med | 540 | 150 | 318 |
| | | Low | 430 | 119 | 253 |
| | | Quiet | 270 | 75 | 159 |

8. Noise level curve

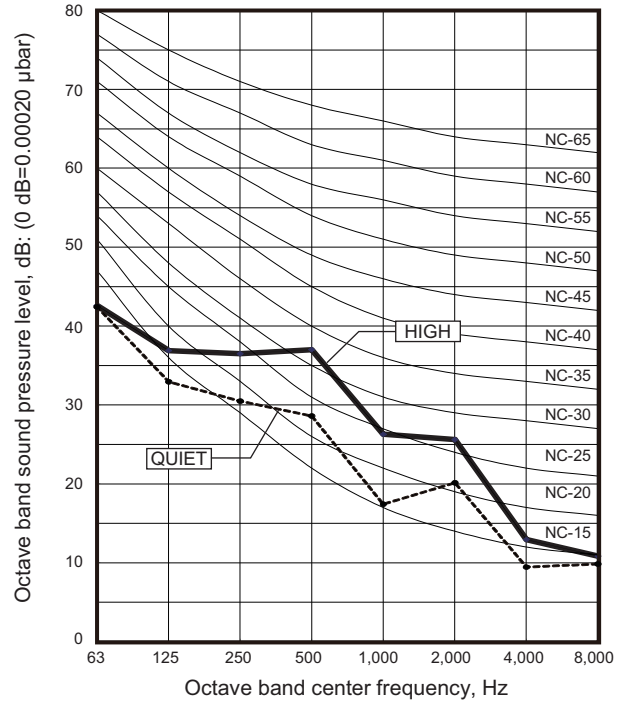
8-1. Compact cassette type

Model: AUXG07KVLA

● Cooling

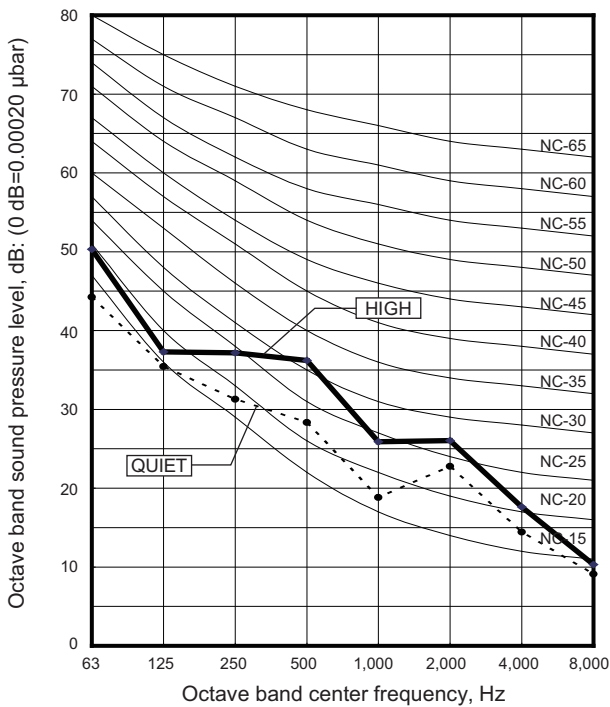


● Heating

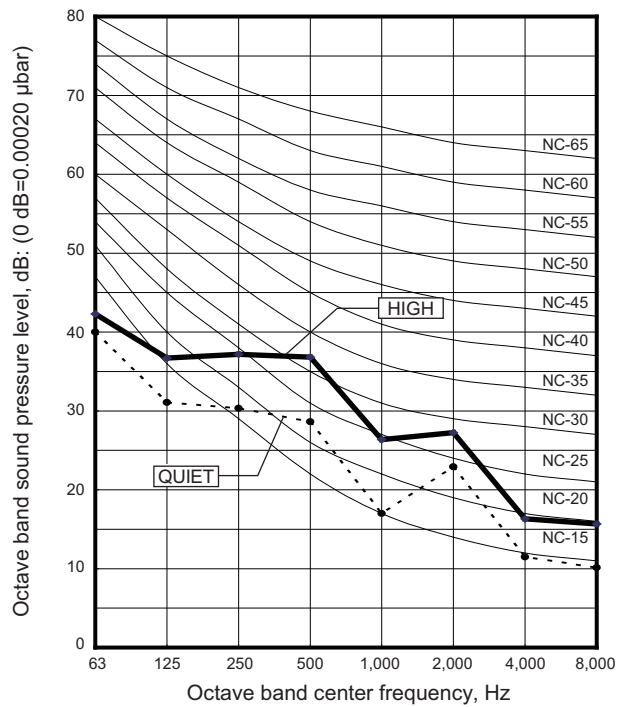


Model: AUXG09KVLA

● Cooling

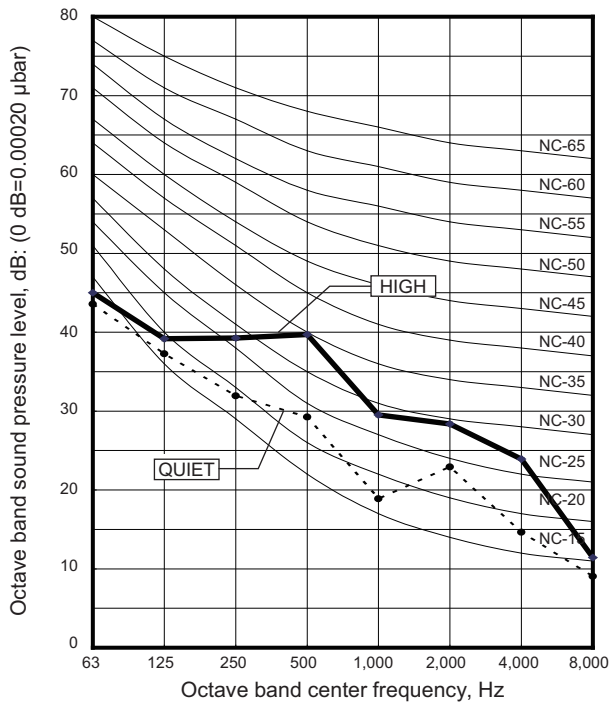


● Heating

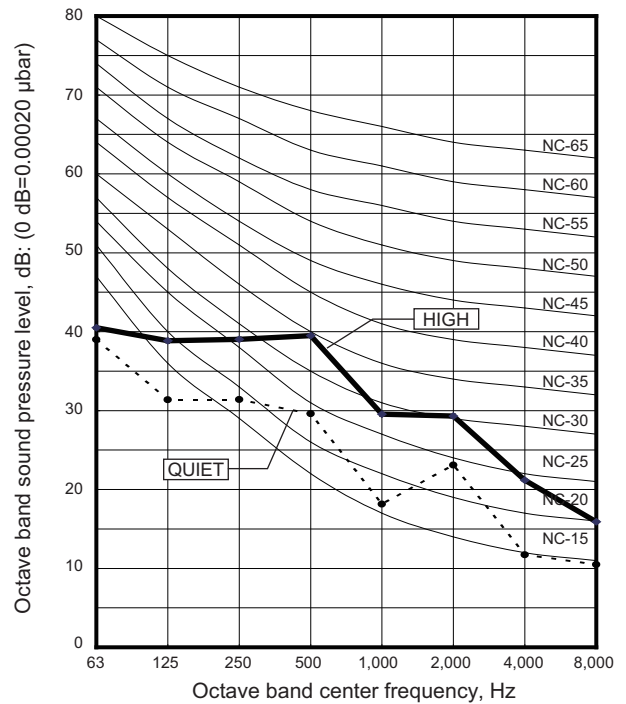


Model: AUXG12KVLA

Cooling

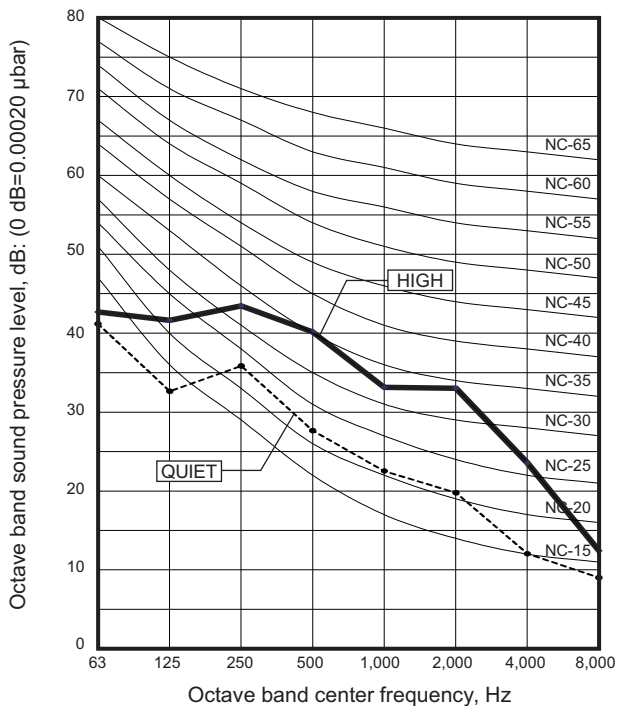


Heating

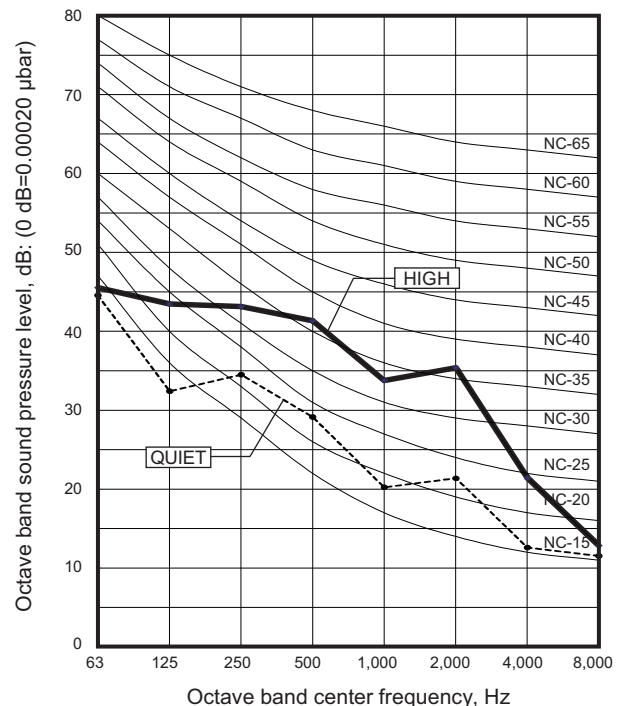


Model: AUXG14KVLA

Cooling



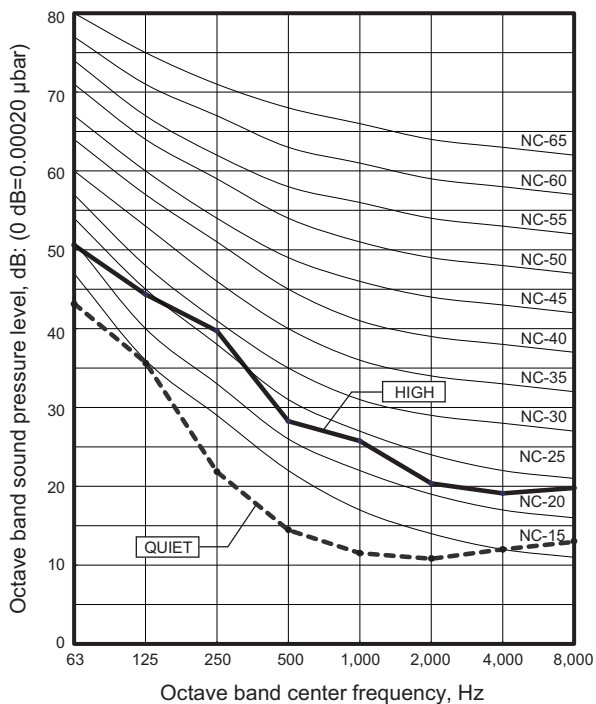
Heating



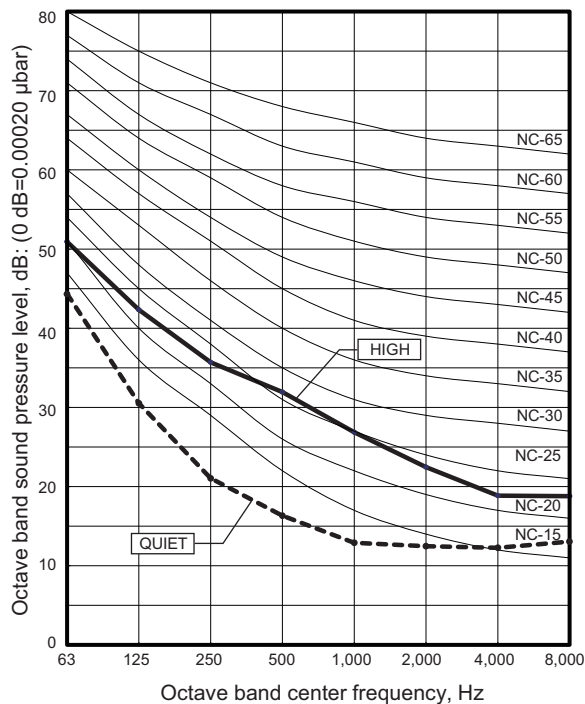
8-2. Mini duct type

Model: ARXG07KSLAP

● Cooling

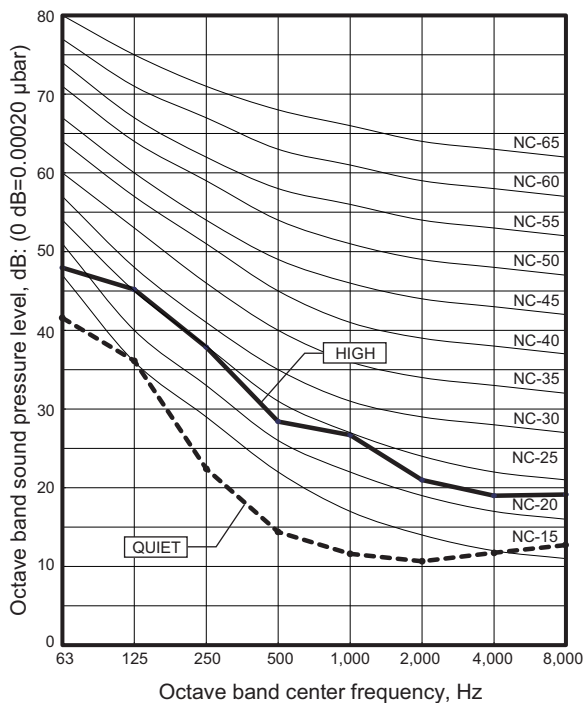


● Heating

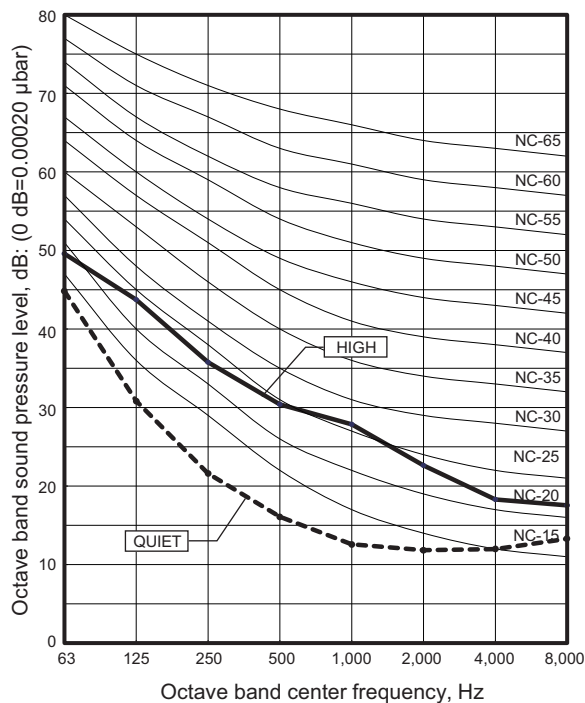


Model: ARXG09KSLAP

● Cooling

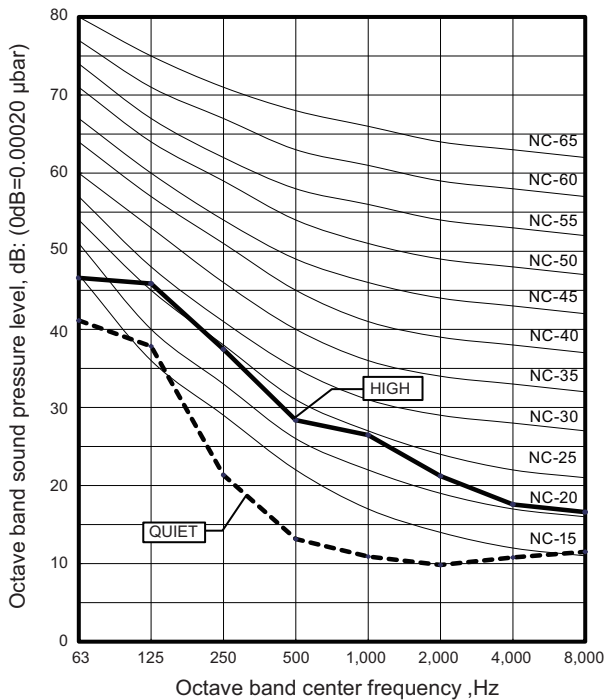


● Heating

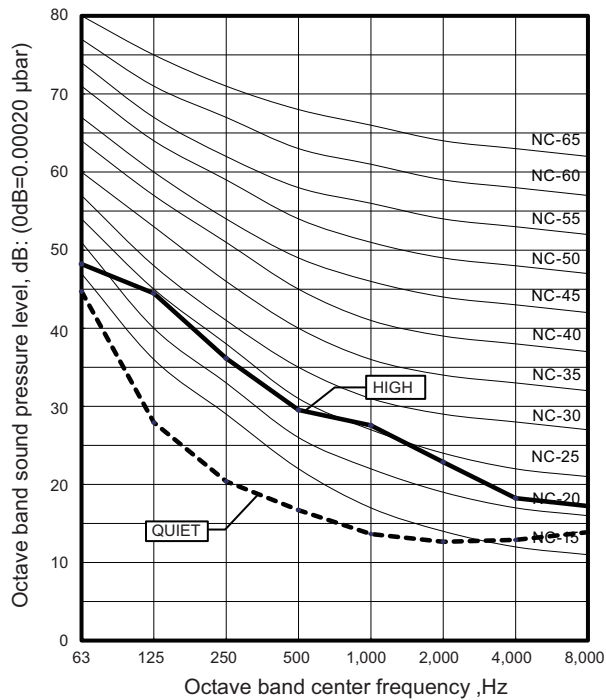


■ Model: ARXG12KSLAP

● Cooling

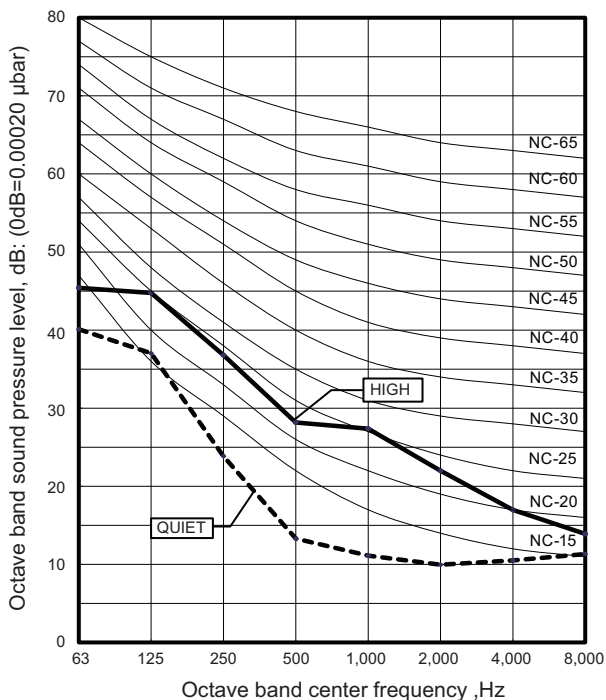


● Heating

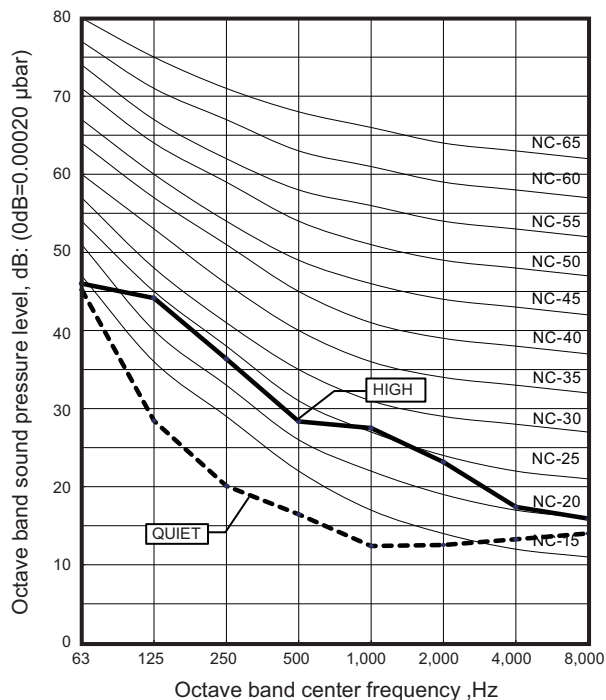


■ Model: ARXG14KSLAP

● Cooling



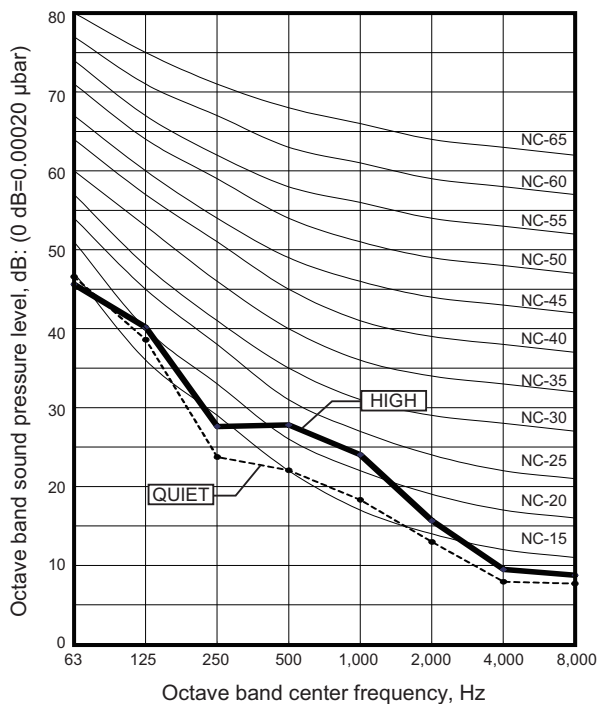
● Heating



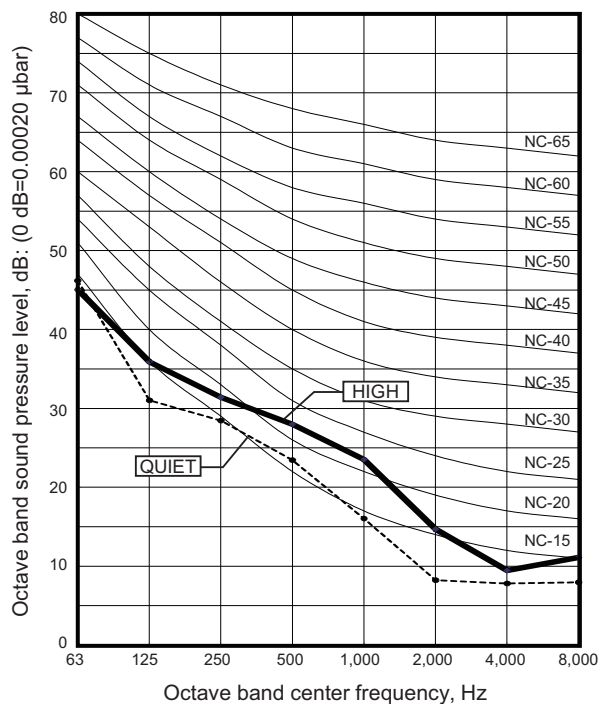
8-3. Slim duct type

Model: ARXG07KLLAP

● Cooling

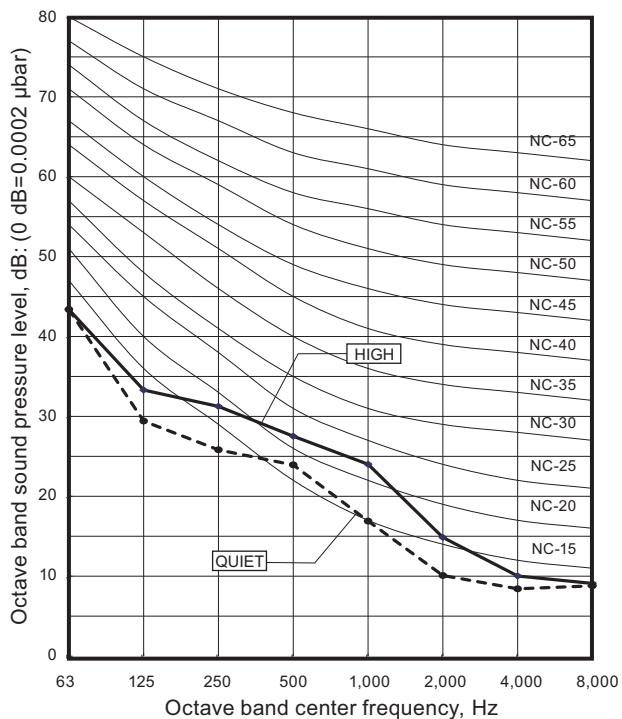


● Heating

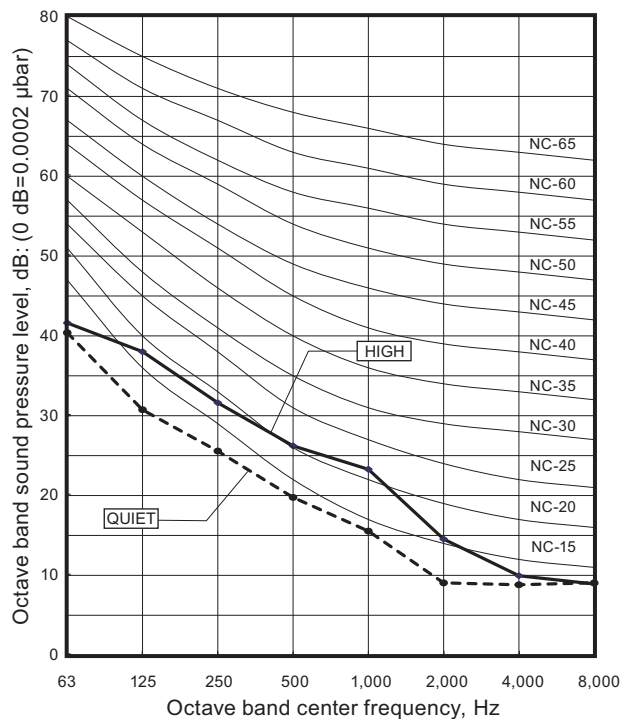


Model: ARXG09KLLAP

● Cooling

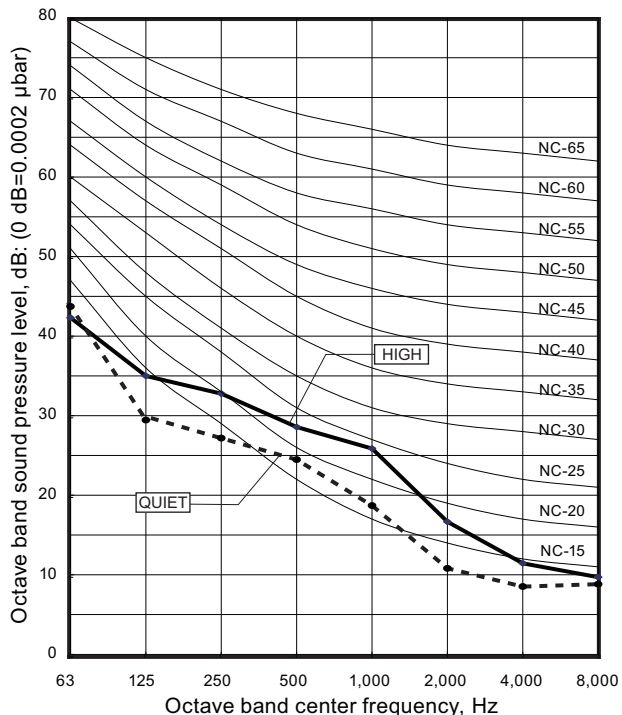


● Heating

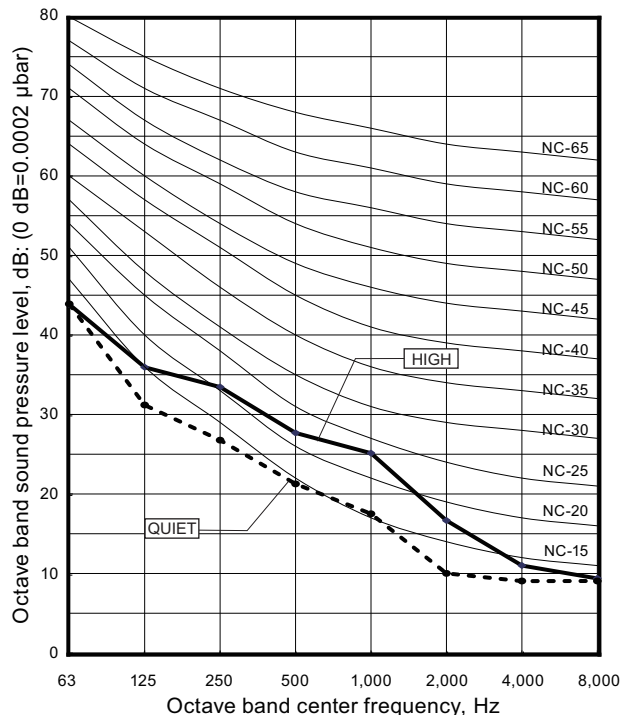


■ Model: ARXG12KLLAP

● Cooling

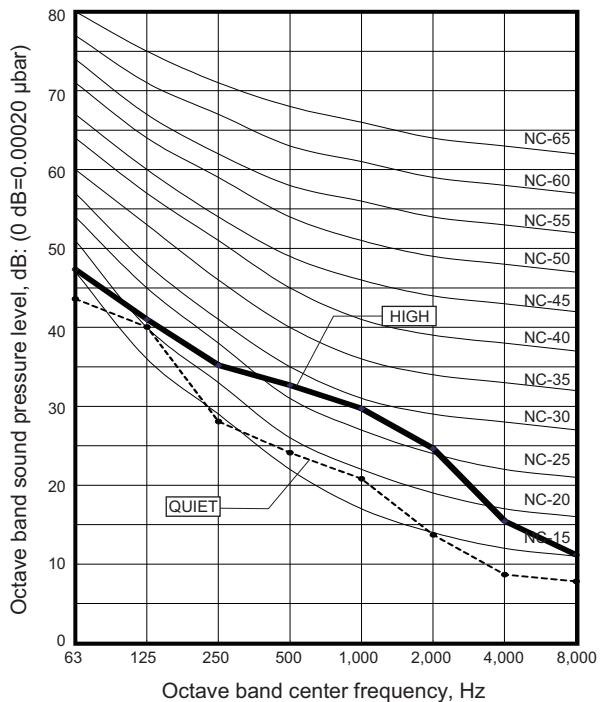


● Heating

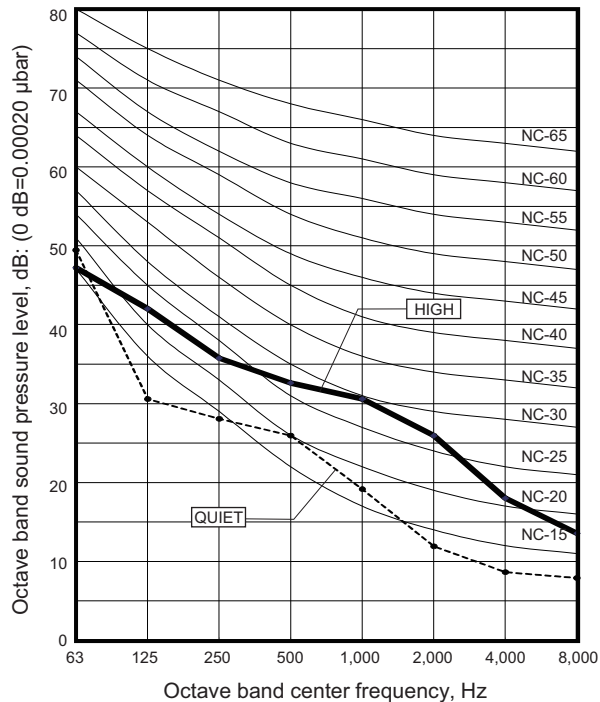


■ Model: ARXG14KLLAP

● Cooling



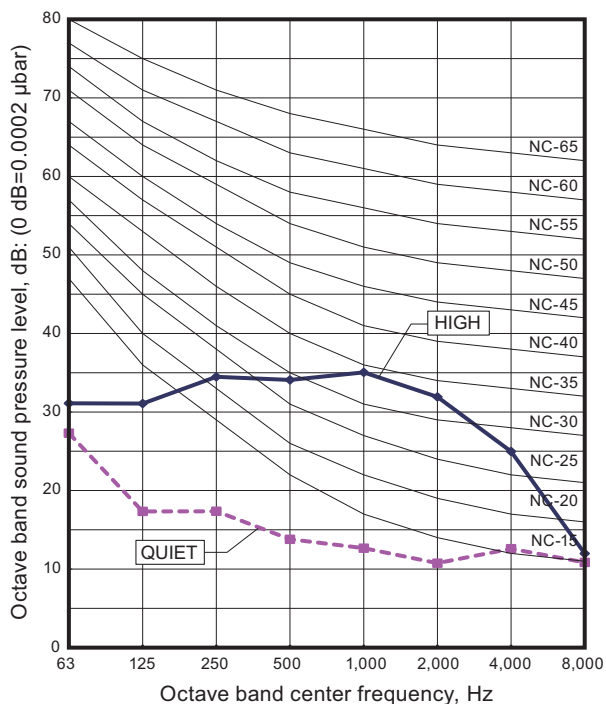
● Heating



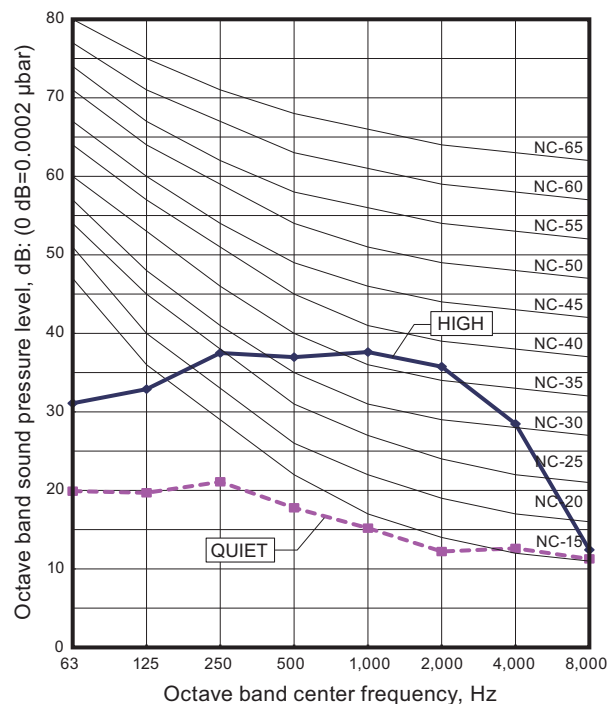
8-4. Wall mounted type

Model: ASYG07KGTB

Cooling

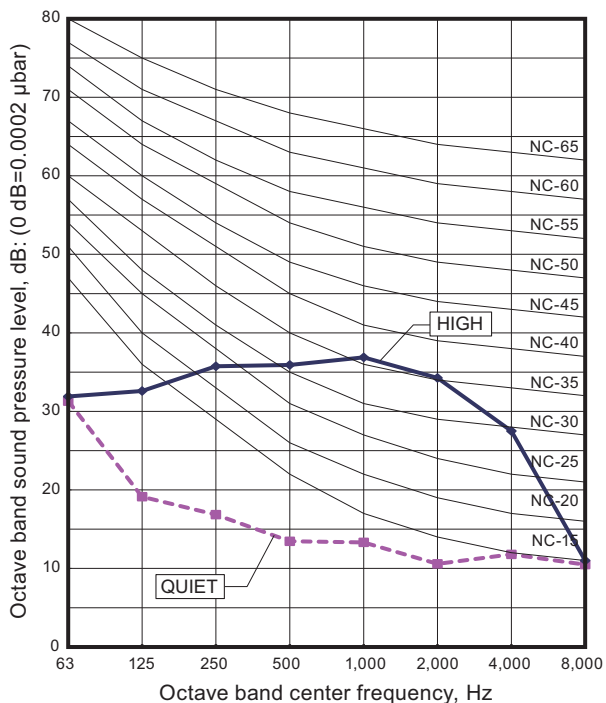


Heating

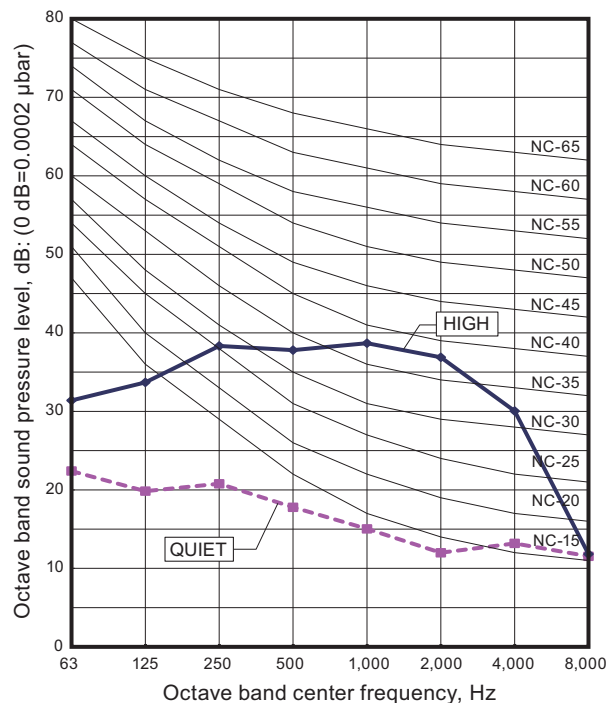


Model: ASYG09KGTB

Cooling

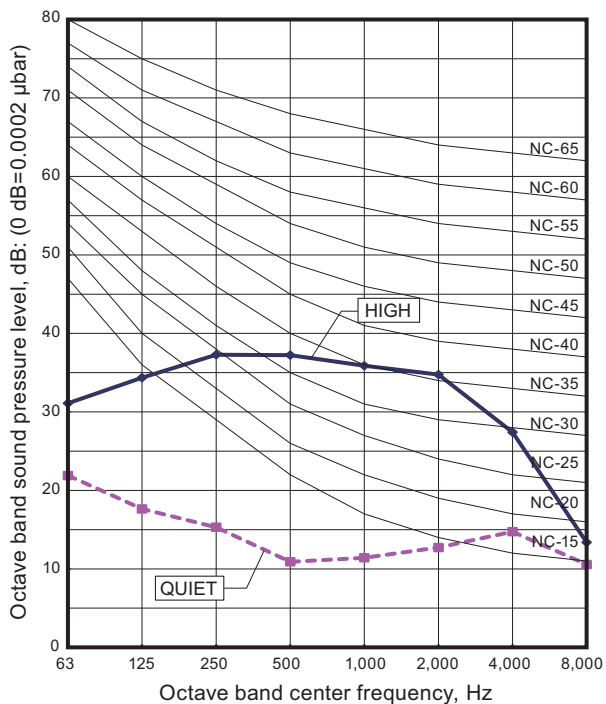


Heating

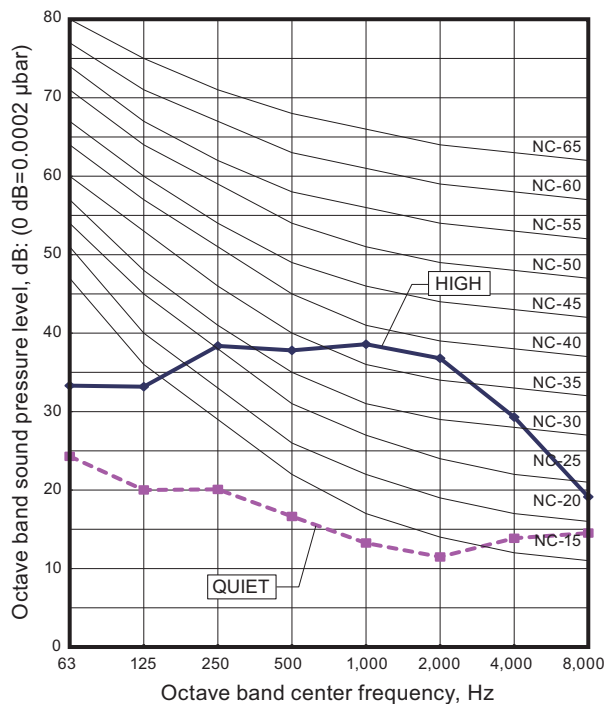


Model: ASYG12KGTB

Cooling

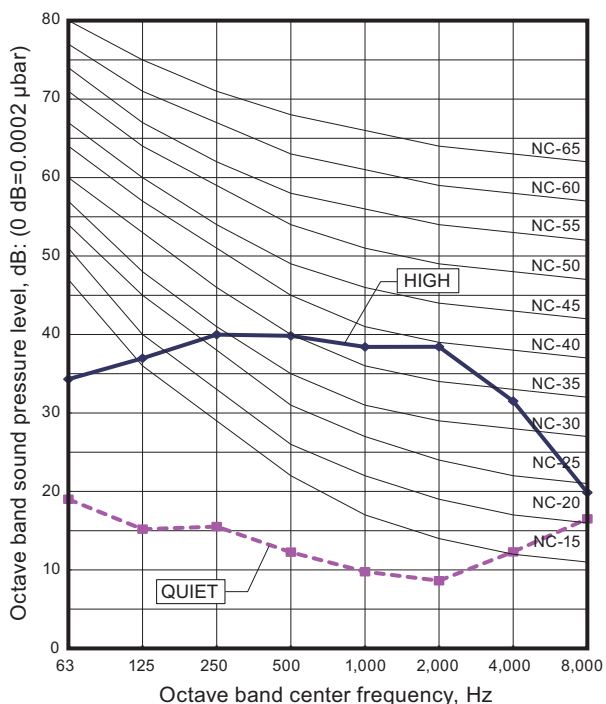


Heating

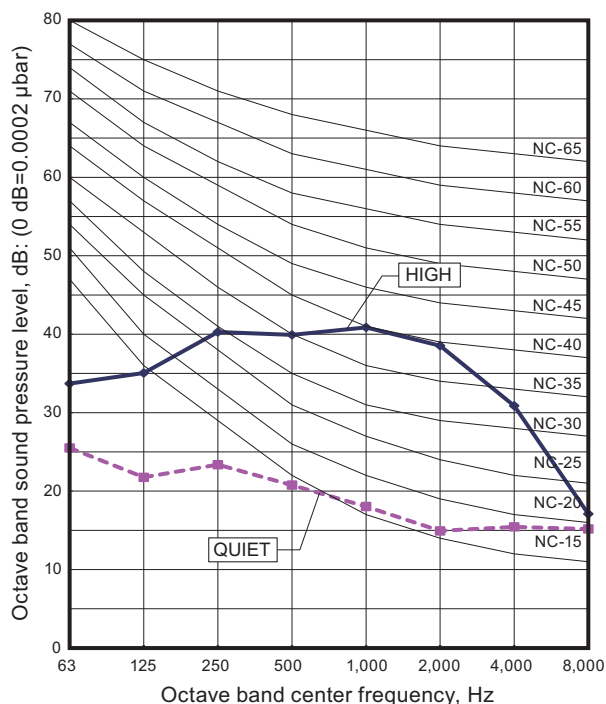


Model: ASYG14KGTB

Cooling

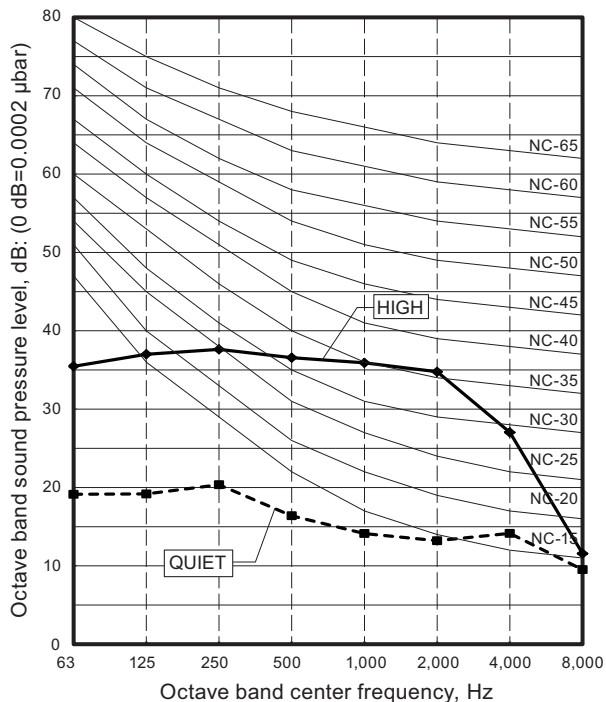


Heating

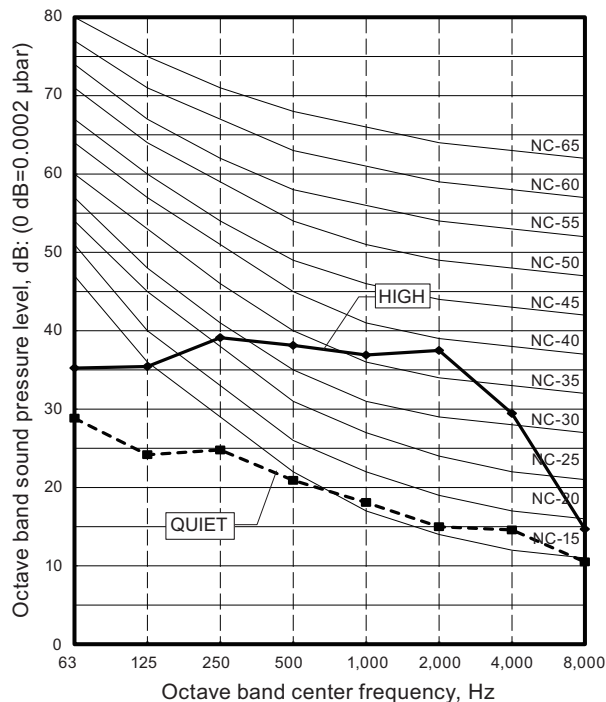


■ Models: ASYG07KMTB, ASYG07KMCC, ASYG07KETA, and ASYG07KETA-B

● Cooling

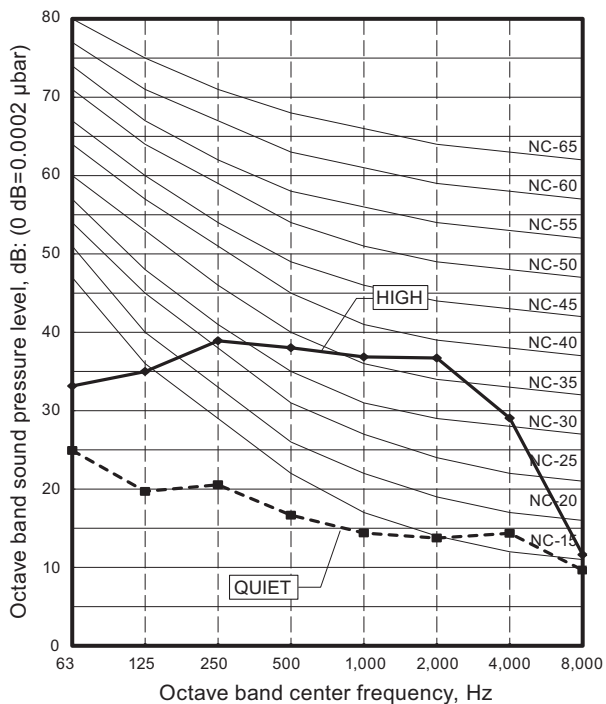


● Heating

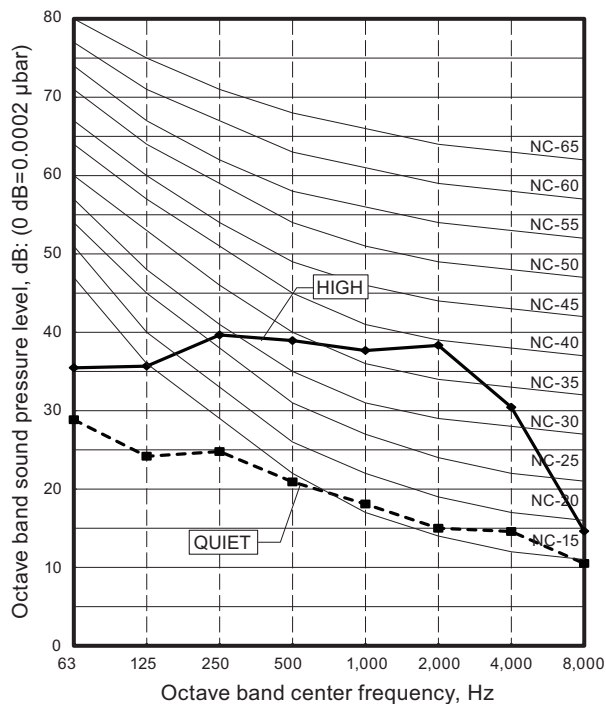


■ Models: ASYG09KMTB, ASYG09KMCC, ASYG09KETA, and ASYG09KETA-B

● Cooling

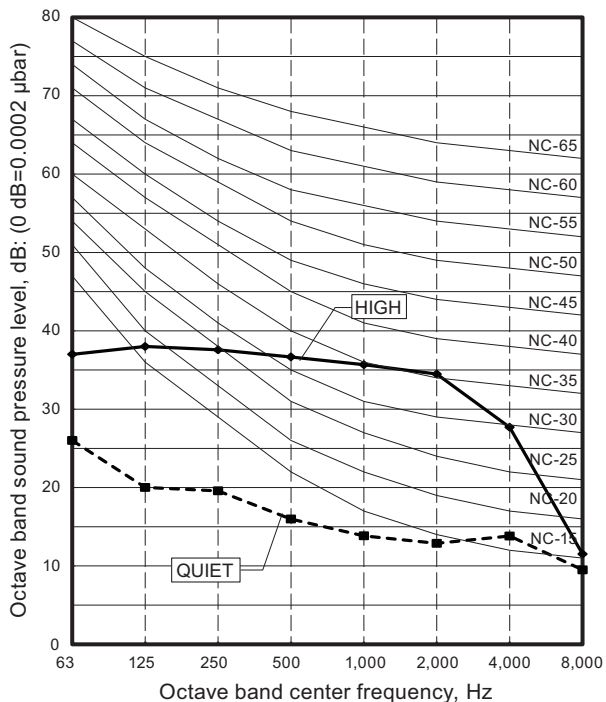


● Heating

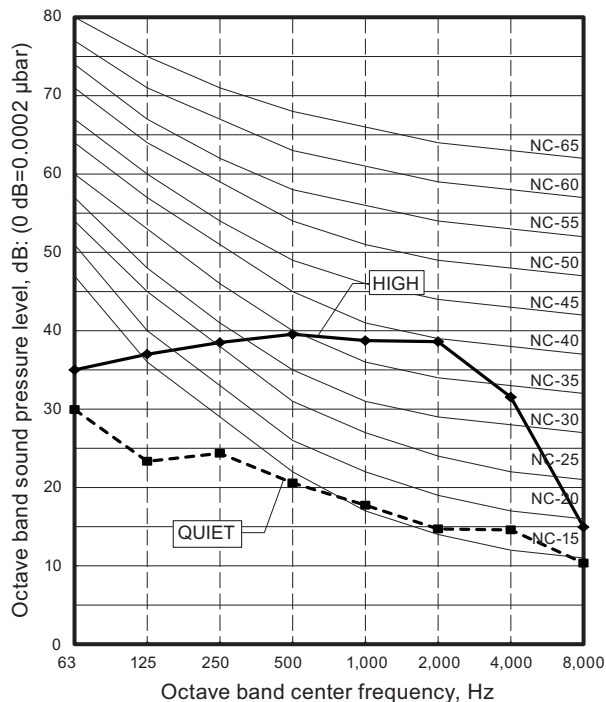


■ Models: ASYG12KMTB, ASYG12KMCC, ASYG12KETA, and ASYG12KETA-B

● Cooling

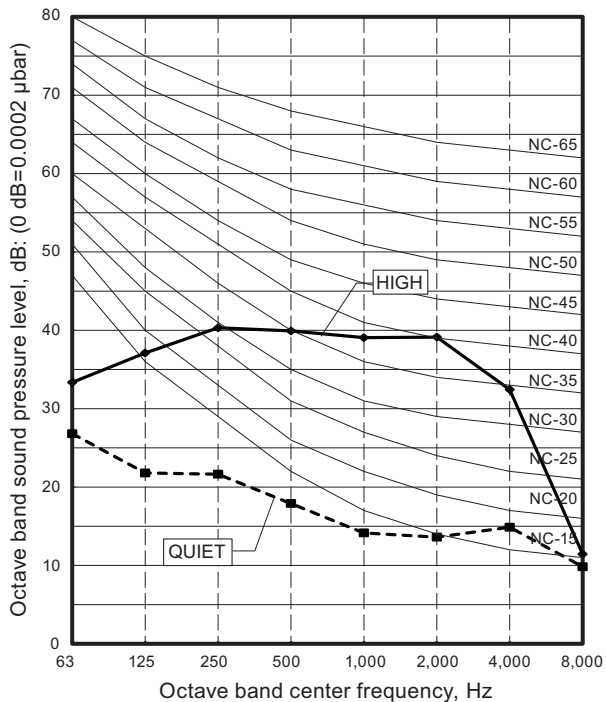


● Heating

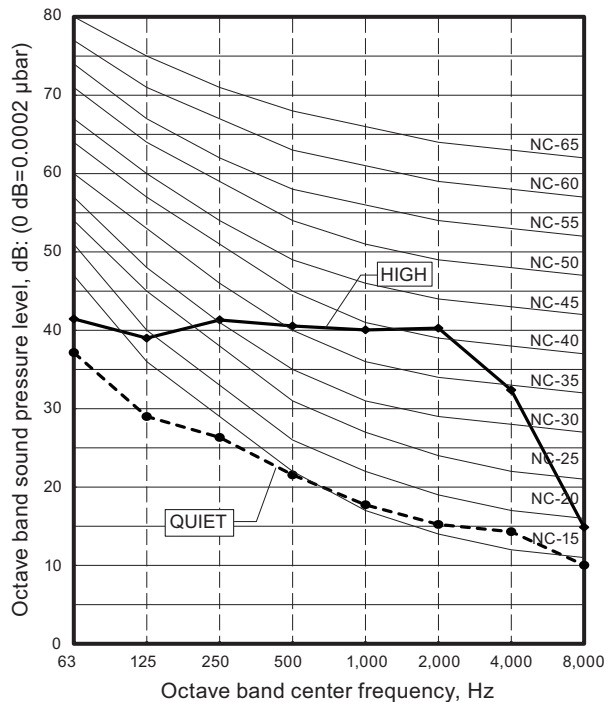


■ Models: ASYG14KMTB, ASYG14KMCC, ASYG14KETA, and ASYG14KETA-B

● Cooling



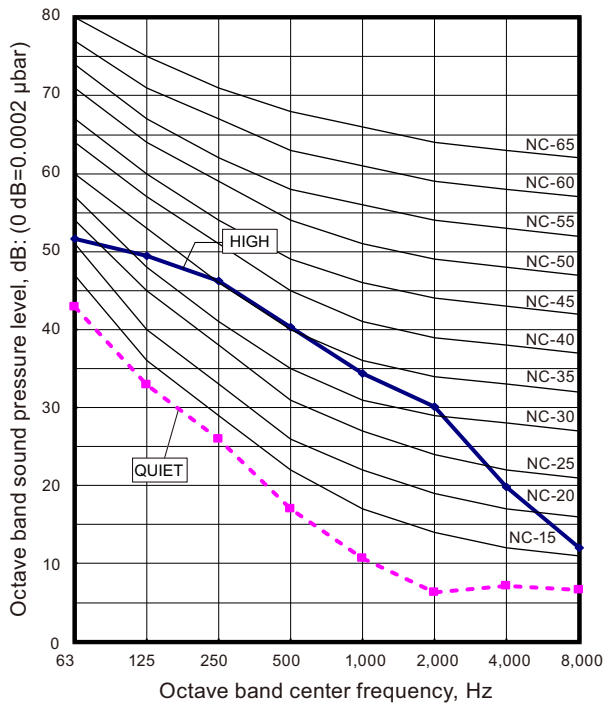
● Heating



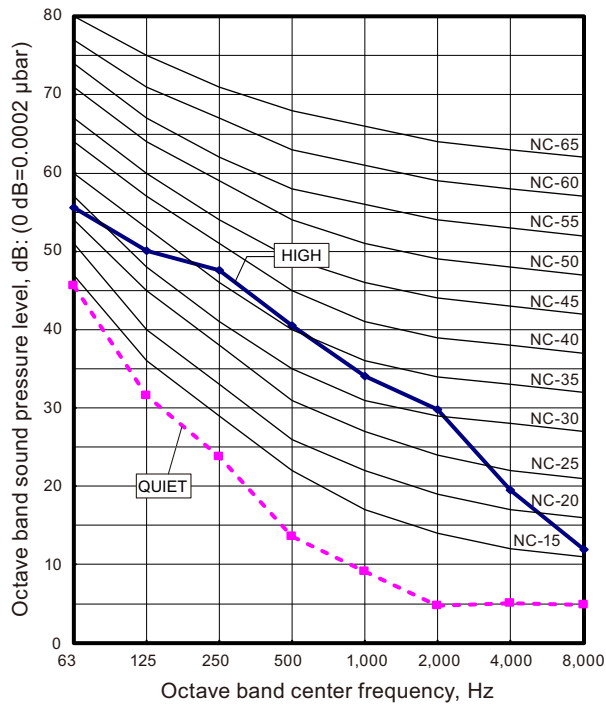
8-5. Floor type

Model: AGYG09KVCA

Cooling

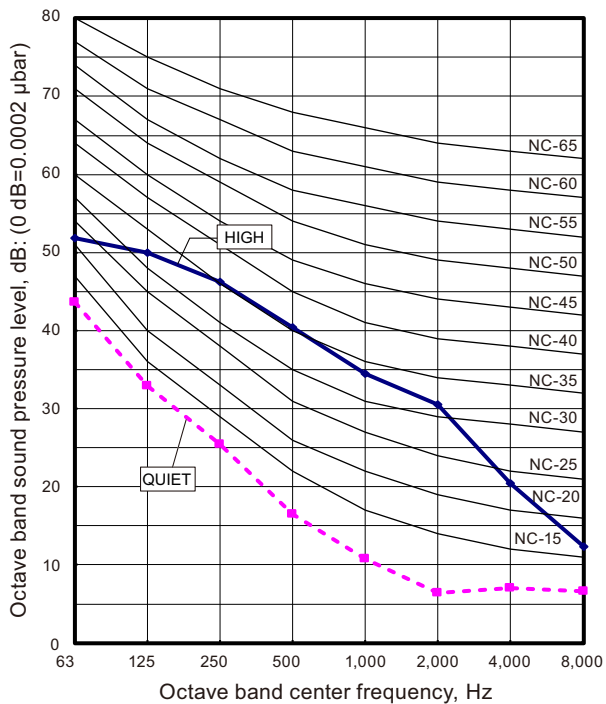


Heating

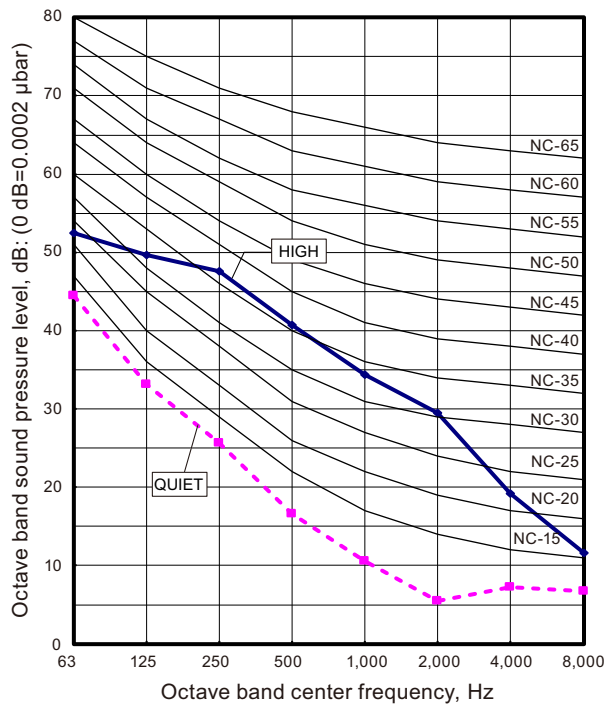


Model: AGYG12KVCA

Cooling

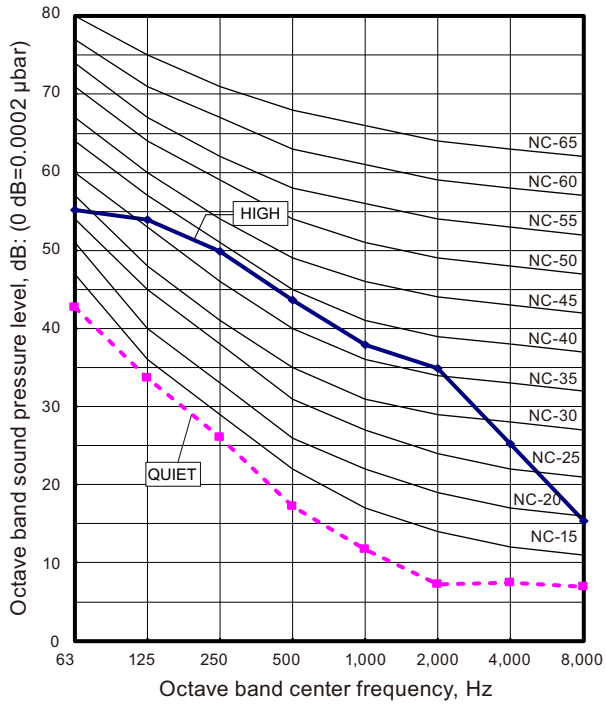


Heating

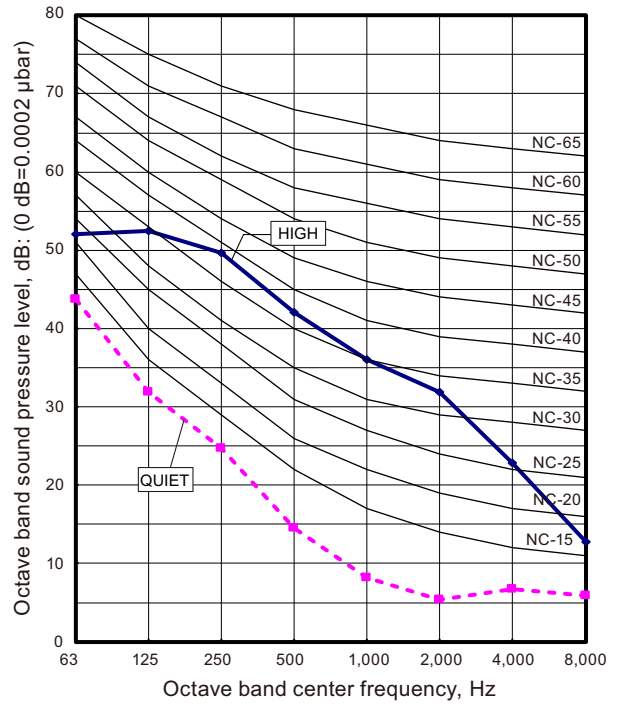


Model: AGYG14KVCA

● Cooling

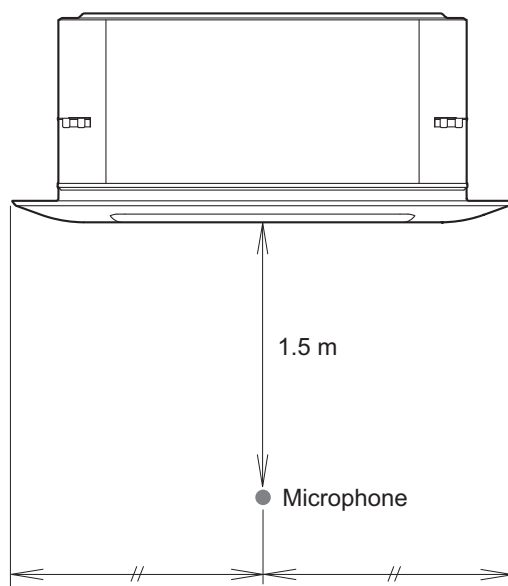
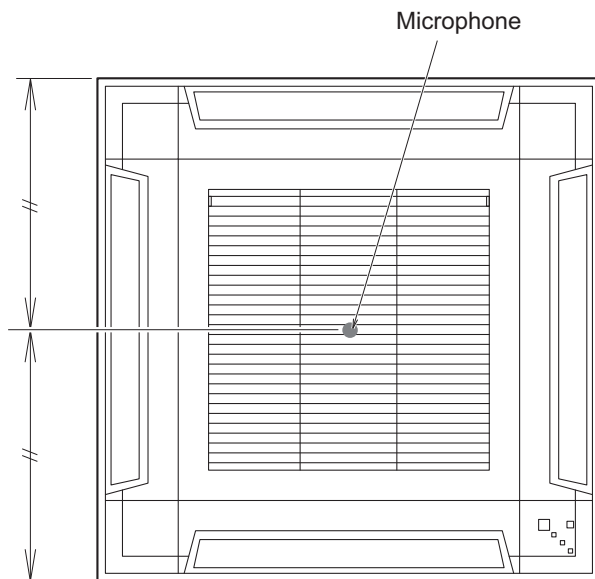


● Heating

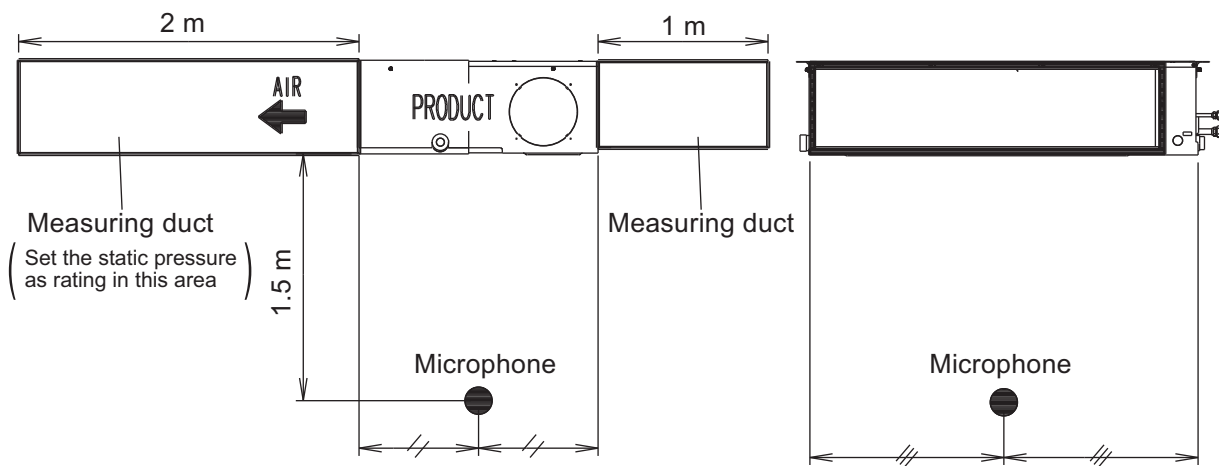


8-6. Sound level check point

■ Compact cassette type



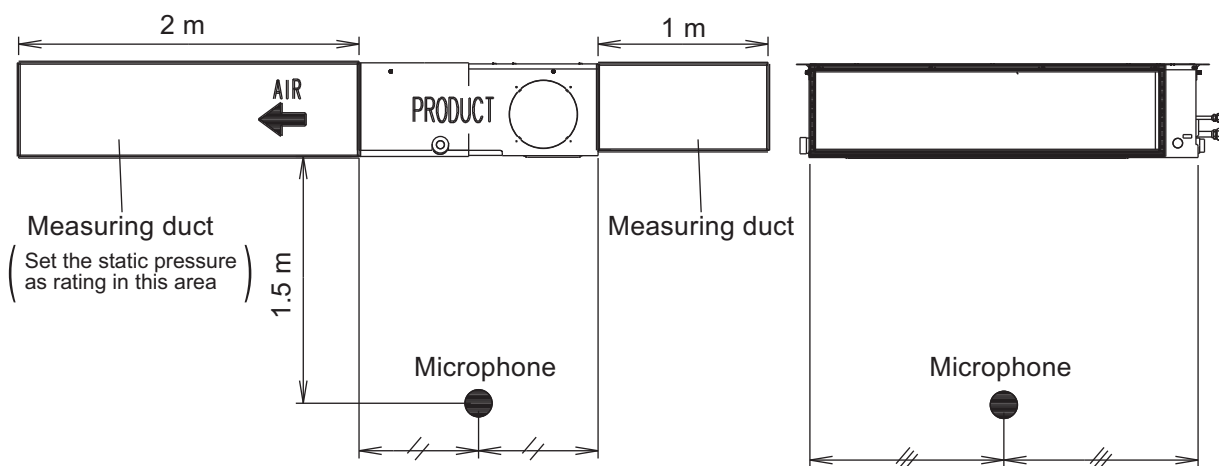
■ Mini duct type



Side view

Front view

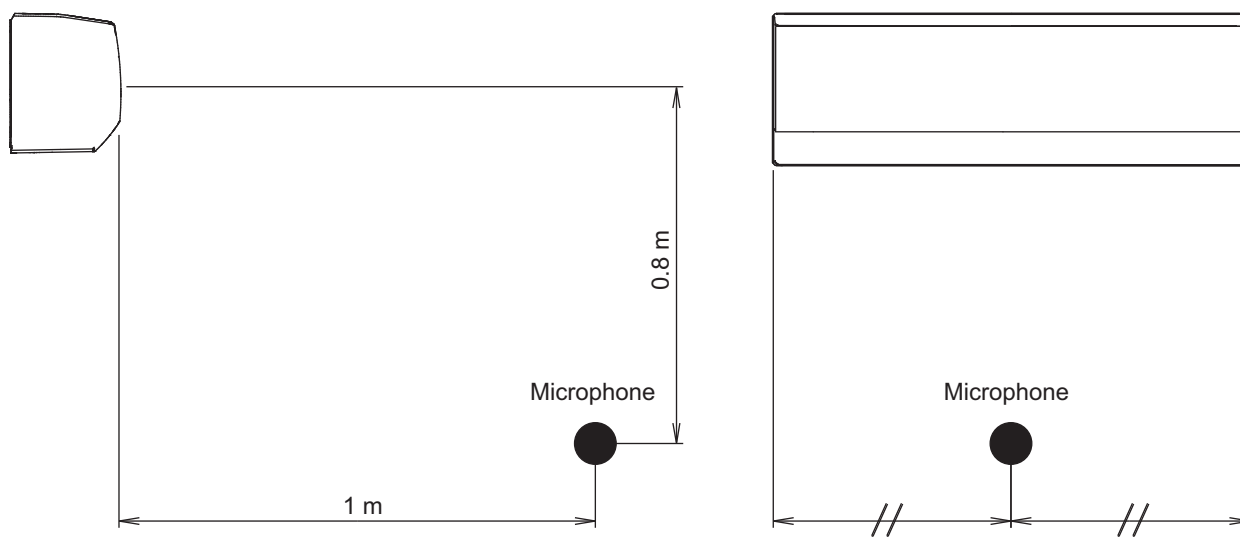
■ Slim duct type



Side view

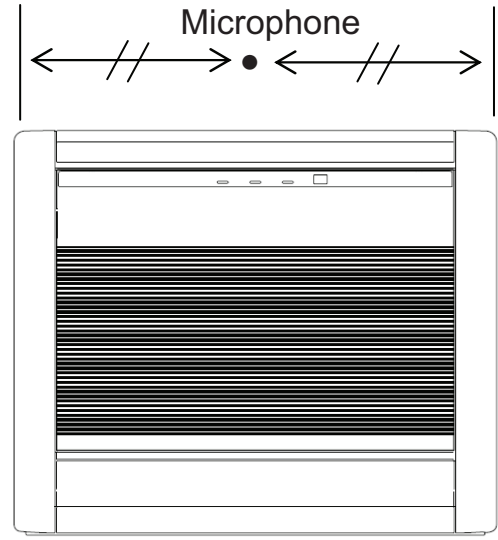
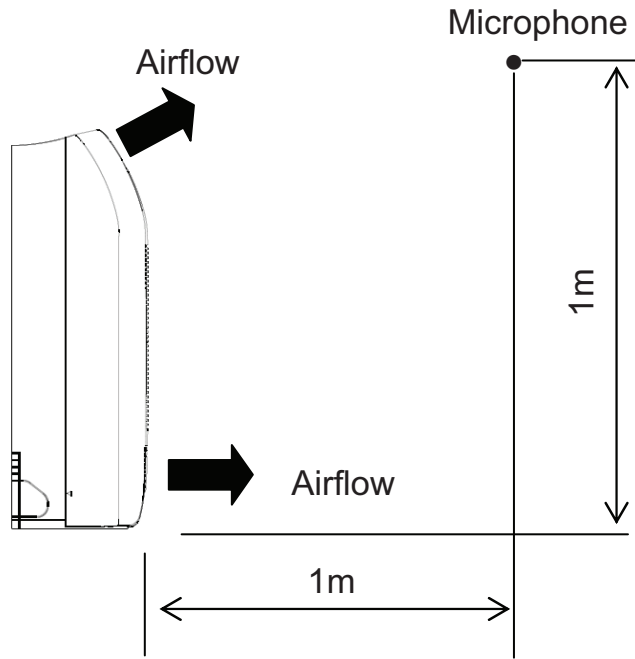
Front view

■ Wall mounted type



NOTE: Detailed shape of the actual indoor unit might be slightly different from the one illustrated above.

■ Floor type



9. Electrical characteristics

| | | Power supply (50 Hz, 230 V) | Indoor rated | | Wiring spec. of connection cable (Indoor unit to outdoor unit) | |
|------------------|----------------------------|--------------------------------|----------------|------|---|------------------------------------|
| Type | Model name | MCA | Input power | FLA | Cross- sectional area (mm ²) | Limited wiring length (m) |
| | | (A) | (W) | (A) | | |
| Compact cassette | AUXG07KVLA | 0.19 | 18 | 0.15 | 1.5 | 21 |
| | AUXG09KVLA | 0.19 | 18 | 0.15 | | |
| | AUXG12KVLA | 0.24 | 23 | 0.19 | | |
| | AUXG14KVLA | 0.28 | 28 | 0.22 | | |
| Mini duct | ARXG07KSLAP | 0.33 | 33 | 0.29 | | |
| | ARXG09KSLAP | 0.38 | 40 | 0.33 | | |
| | ARXG12KSLAP | 0.42 | 47 | 0.38 | | |
| | ARXG14KSLAP | 0.67 | 72 | 0.58 | | |
| Slim duct | ARXG07KLLAP | 0.41 | 33 | 0.33 | | |
| | ARXG09KLLAP | 0.38 | 49 | 0.30 | | |
| | ARXG12KLLAP | 0.44 | 58 | 0.35 | | |
| | ARXG14KLLAP | 0.64 | 76 | 0.51 | | |
| Wall mounted | ASYG07KGTB | 0.25 | 23 | 0.20 | | |
| | ASYG09KGTB | 0.30 | 27 | 0.24 | | |
| | ASYG12KGTB | 0.30 | 27 | 0.24 | | |
| | ASYG14KGTB | 0.37 | 33 | 0.29 | | |
| | ASYG07KMTB | 0.25 | 23 | 0.20 | | |
| | ASYG09KMTB | 0.30 | 27 | 0.24 | | |
| | ASYG12KMTB | 0.30 | 27 | 0.24 | | |
| | ASYG14KMTB | 0.38 | 33 | 0.30 | | |
| | ASYG07KMCC | 0.25 | 23 | 0.20 | | |
| | ASYG09KMCC | 0.30 | 27 | 0.24 | | |
| | ASYG12KMCC | 0.30 | 27 | 0.24 | | |
| | ASYG14KMCC | 0.38 | 33 | 0.30 | | |
| | ASYG07KETA ASYG07KETA-B | 0.25 | 23 | 0.20 | | |
| | ASYG09KETA ASYG09KETA-B | 0.30 | 27 | 0.24 | | |
| | ASYG12KETA ASYG12KETA-B | 0.30 | 27 | 0.24 | | |
| | ASYG14KETA ASYG14KETA-B | 0.38 | 33 | 0.30 | | |
| Floor | AGYG09KVCA | 0.19 | 16 | 0.15 | | |
| | AGYG12KVCA | 0.23 | 20 | 0.18 | | |
| | AGYG14KVCA | 0.25 | 23 | 0.20 | | |

MCA: Minimum Circuit Ampacity = Maximum operating current (Full load)

FLA: Full Load Amperes (Fan motor)

10. Safety devices

| Indoor unit type | Model name | PCB* fuse | Fan motor thermal protector | Terminal thermal fuse | Float switch | | | |
|------------------|--|--|--|-----------------------|--------------|--|------------|---|
| Compact cassette | AUXG07KVLA | 250 V, 5 A | Activate: 100 ±10 °C Fan motor stop Reset: 95 ±10 °C Fan motor restart | — | ○ | | | |
| | AUXG09KVLA | | | | | | | |
| | AUXG12KVLA | | | | | | | |
| | AUXG14KVLA | | | | | | | |
| Mini duct | ARXG07KSLAP | | Activate: 135 ±15 °C Fan motor stop Reset: 115 ±15 °C Fan motor restart | | | | | |
| | ARXG09KSLAP | | | | | | | |
| | ARXG12KSLAP | | | | | | | |
| | ARXG14KSLAP | | | | | | | |
| Slim duct | ARXG07KLLAP | | Activate: 135 ±15 °C Fan motor stop Reset: 105 ±15 °C Fan motor restart | | | | | |
| | ARXG09KLLAP | | | | | | | |
| | ARXG12KLLAP | | Activate: 135 ±15 °C Fan motor stop Reset: 115 ±15 °C Fan motor restart | | | | | |
| | ARXG14KLLAP | | | | | | | |
| Wall mounted | ASYG07KGTB | | 250 V, 3.15 A | | | Activate: More than 95 °C Fan motor speed down Reset: 95 °C or less Fan motor speed recover | 102 °C Off | — |
| | ASYG09KGTB | | | | | | | |
| | ASYG12KGTB | | | | | Activate: 125 ±10 °C Fan motor stop Reset: 100 ±10 °C Fan motor restart | | |
| | ASYG14KGTB | | | | | | | |
| | ASYG07KMTB | Activate: More than 95 °C Fan motor speed down Reset: 95 °C or less Fan motor speed recover | | | | | | |
| | ASYG09KMTB | | | | | | | |
| | ASYG12KMTB | Activate: 125 ±10 °C Fan motor stop Reset: 100 ±10 °C Fan motor restart | | | | | | |
| | ASYG14KMTB | | | | | | | |
| | ASYG07KMCC | Activate: 170 ⁺²⁵ ₋₃₀ °C Fan motor stop Reset: 145 ⁺²⁵ ₋₃₀ °C Fan motor restart | | — | | | | |
| | ASYG09KMCC | | | | | | | |
| | ASYG12KMCC | Activate: More than 85 °C Fan motor speed down Reset: 85 °C or less Fan motor speed recover | | 102 °C Off | | | | |
| | ASYG14KMCC | | | | | | | |
| | ASYG07KETA | Activate: 125 ±25 °C Fan motor stop Reset: 110 ⁺²⁵ ₋₂₀ °C Fan motor restart | | 102 °C Off | | | | |
| | ASYG07KETA-B | | | | | | | |
| | ASYG09KETA | Activate: 150 ±15 °C Fan motor stop Reset: 120 ±15 °C Fan motor restart | | 110 °C Off | | | | |
| | ASYG09KETA-B | | | | | | | |
| ASYG12KETA | Activate: 150 ±15 °C Fan motor stop Reset: 120 ±15 °C Fan motor restart | 110 °C Off | | | | | | |
| ASYG12KETA-B | | | | | | | | |
| ASYG14KETA | Activate: 150 ±15 °C Fan motor stop Reset: 120 ±15 °C Fan motor restart | 110 °C Off | | | | | | |
| ASYG14KETA-B | | | | | | | | |
| Floor | AGYG09KVCA | 250 V, 3.15 A | Activate: 150 ±15 °C Fan motor stop Reset: 120 ±15 °C Fan motor restart | 110 °C Off | — | | | |
| | AGYG12KVCA | | | | | | | |
| | AGYG14KVCA | | | | | | | |

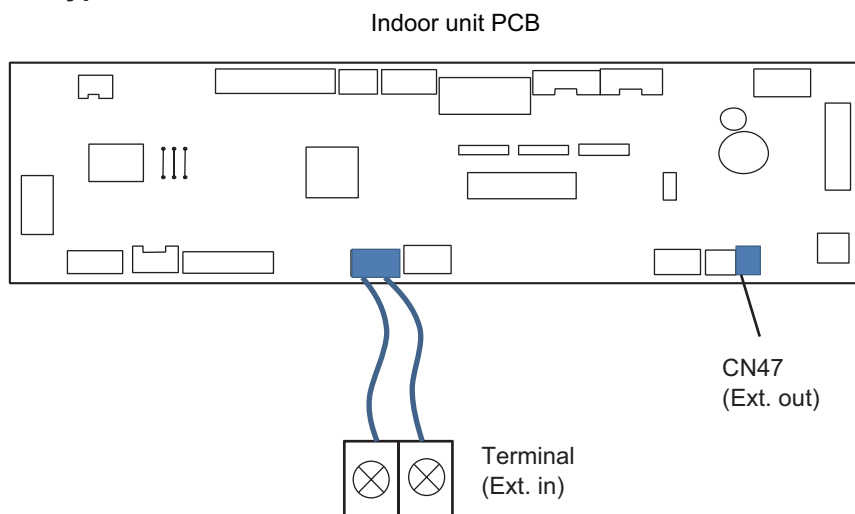
*: Printed Circuit Board

11. External input and output

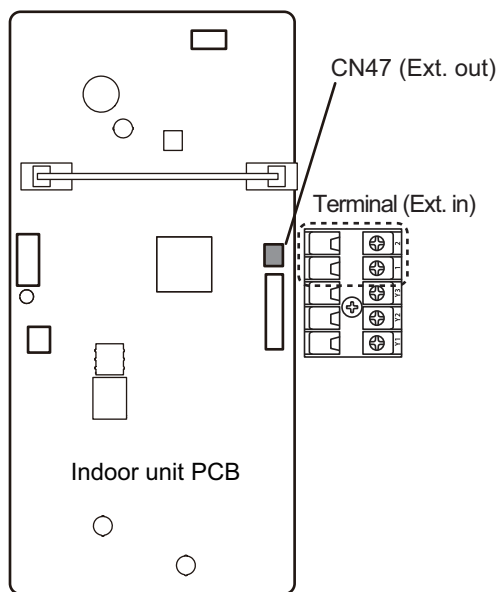
11-1. Compact cassette, Mini duct, and Slim duct types

Exterior of the indoor unit PCB and the component location differ by the type of the indoor unit as follows.

- **Compact cassette type:**



- **Mini duct and Slim duct types:**



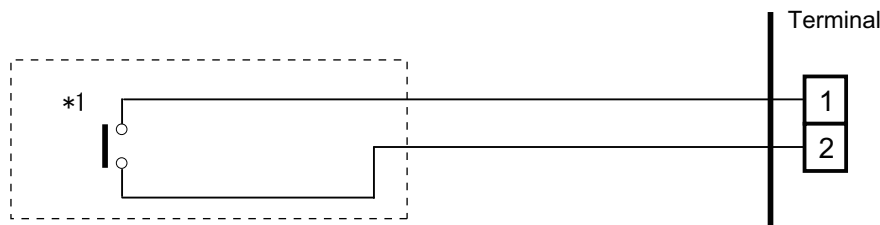
| External input and output | | Connector | Input select | Input signal | External connect kit (Optional parts) |
|---------------------------|----------------------------------|-----------|--------------|--------------|---------------------------------------|
| External input | Operation/Stop Forced stop | Terminal | Dry contact | Edge | — |
| External output | Operation status | CN47 | — | — | UTY-XWZXZG |
| | Error status | | | | |
| | Indoor unit fan operation status | | | | |
| | External heater output | | | | |

External input

With using external input function, some functions on this product can be controlled from an external device.

- "Operation/Stop" mode or "Forced stop" mode can be selected with function setting of indoor unit.
- A twisted pair cable (22AWG) should be used. Maximum length of cable is 150 m.
- The wire connection should be separate from the power cable line.

Indoor unit functions such as Operation/Stop can be done by using indoor unit terminals.



*1: The switch can be used on the following condition: DC 12 V to 24 V, 1 mA to 15 mA.

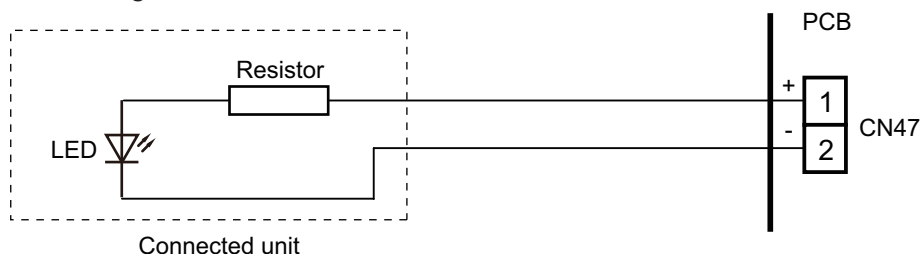
External output

Use an external output cable with appropriate external dimension, depending on the number of cables to be installed.

- A twisted pair cable (22AWG) should be used. Maximum length of cable is 25 m.
- Output voltage: High DC 12 V \pm 2 V, Low 0 V.
- Permissible current: 50 mA
- For details, refer to ["Combination of external input and output"](#) on page 101.

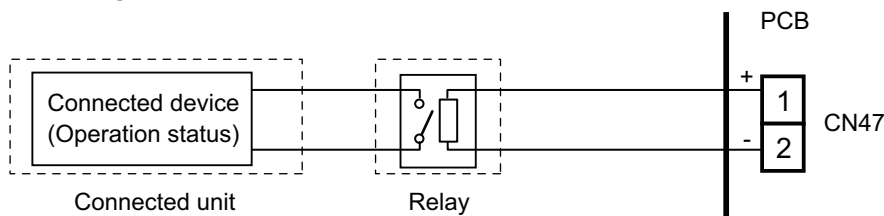
When indicator, etc. are connected directly

Example: Function setting 60 is set to "00"



When connecting with a device equipped with a power supply

Example: Function setting 60 is set to "00"



■ Combination of external input and output

By combining the function setting of the indoor unit, you can select various combinations of functions.

Combination examples of external input and output are as follows:

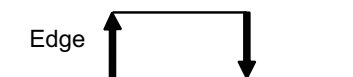
| Mode | Function setting | External input | External output |
|------|------------------|----------------------|----------------------------------|
| | | Terminal | CN47 |
| 0 | 60—00 | Operation/Stop | |
| 1—8 | 60—01 to 60—08 | (Setting prohibited) | |
| 9 | 60—09 | Operation/Stop | Error status |
| 10 | 60—10 | Operation/Stop | Indoor unit fan operation status |
| 11 | 60—11 | Operation/Stop | External heater output |

NOTE: Input of Operation/Stop depends on the setting of function setting 46.

- 00: Operation/Stop mode 1 (R.C. enabled)
- 01: (Setting prohibited)
- 02: Forced stop
- 03: Operation/Stop mode 2 (R.C. disabled)

● Input signal type

- Indoor unit
Input signal type is only "Edge".

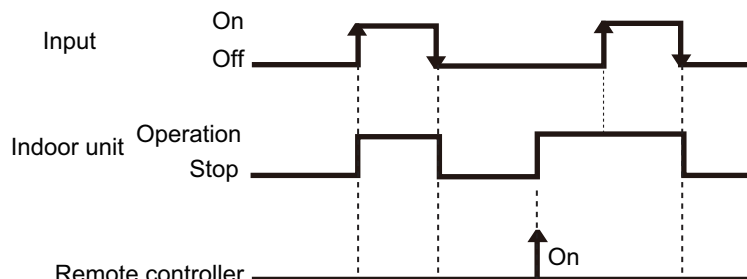


■ Details of function

● Control input function

- When function setting is "Operation/Stop" mode 1

| Function setting | External input | Input signal | Command |
|------------------|----------------|--------------|-----------|
| 46—00 | Terminal | Off → On | Operation |
| | | On → Off | Stop |

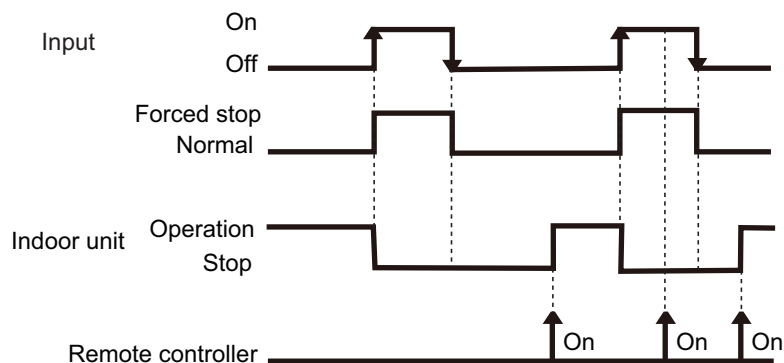


NOTES:

- The last command has priority.
- The indoor units within the same remote controller group operates in the same mode.

- When function setting is "Forced stop" mode

| Function setting | External input | Input signal | Command |
|------------------|----------------|--------------|-------------|
| 46—02 | Terminal | Off → On | Forced stop |
| | | On → Off | Normal |

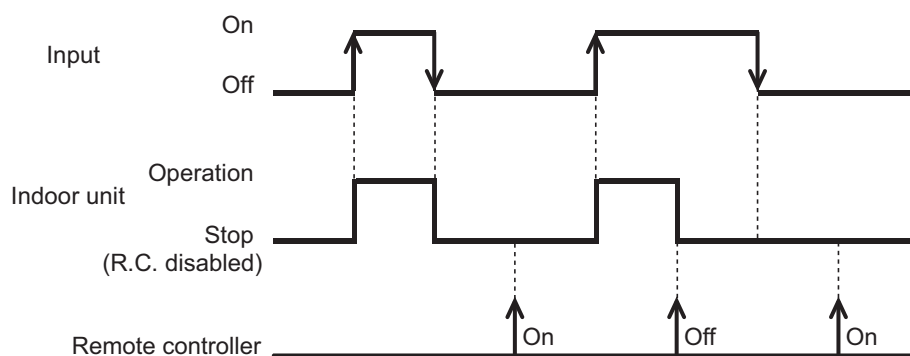


NOTES:

- When the forced stop is triggered, indoor unit stops and Operation/Stop operation by the remote controller is restricted.
- When forced stop function is used with forming a remote controller group, connect the same equipment to each indoor unit within the group.

- When function setting is "Operation/Stop" mode 2

| Function setting | External input | Input signal | Command |
|------------------|----------------|--------------|----------------------|
| 46—03 | Terminal | Off → On | Operation |
| | | On → Off | Stop (R.C. disabled) |

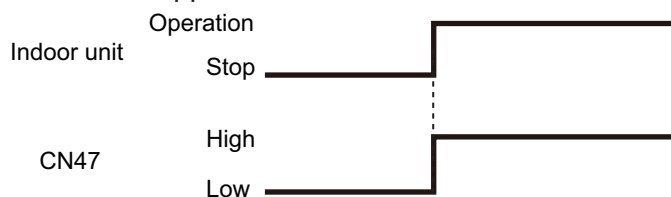


NOTE: When "Operation/Stop" mode 2 function is used with forming a remote controller group, connect the same equipment to each indoor unit within the group.

● Control output function

| Function setting | External output | Output signal | Command |
|------------------|-----------------|---------------|-----------|
| 60—00 | CN47 | Low → High | Operation |
| | | High → Low | Stop |

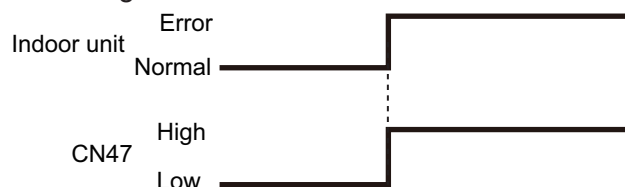
The output is low when the unit is stopped.



● Error status

| Function setting | External output | Output signal | Command |
|------------------|-----------------|---------------|---------|
| 60—09 | CN47 | Low → High | Error |
| | | High → Low | Normal |

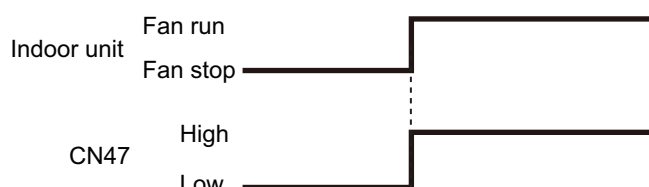
The output is ON when an error is generated for the indoor unit.



● Indoor unit fan operation status

| Function setting | External output | Output signal | Command |
|------------------|-----------------|---------------|----------|
| 60—10 | CN47 | Low → High | Fan run |
| | | High → Low | Fan stop |

| Output signal | Condition |
|---------------|--|
| On | The indoor unit fan is operating. |
| Low → High | |
| Off | The fan is stopped or during cold air prevention. During thermostat off when in dry mode operation. |
| High → Low | |



● External heater output

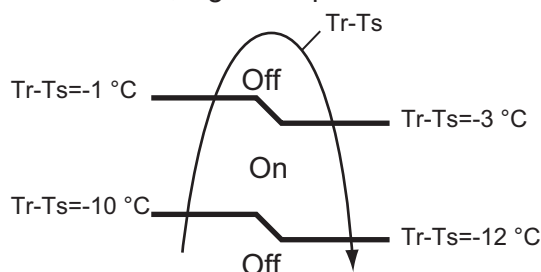
| Function setting | External output | Output signal | Command |
|------------------|-----------------|---------------|------------|
| 60—11 | CN47 | Low → High | Heater on |
| | | High → Low | Heater off |

| Output signal | Condition |
|---------------|---|
| Low → High | Heater turns on as shown in diagram of heating temperature |
| Off → On | |
| High → Low | Heater turns off as shown in diagram of heating temperature |
| On → Off | <ul style="list-style-type: none"> • Other than Heating mode • Error occurred • Forced thermo off • Fan stop protection |

Specifications of the signal output performance are as shown as follows:

Example When set temperature (T_s) is set at 22 °C;

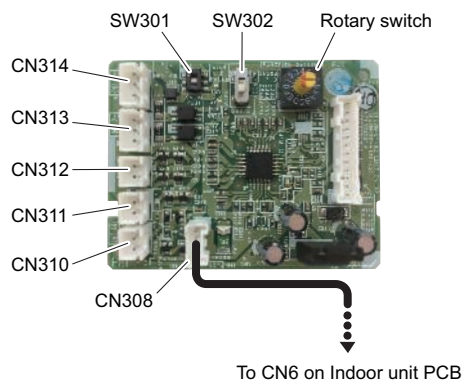
- And room temperature (T_r) increase above 12 °C, signal output is on.
- And T_r increase above 21 °C, signal output is off.
- And T_r decrease below 19 °C, signal output is on.
- And T_r decrease below 10 °C, signal output is off.



The output also turns off in defrost operation.

11-2. Wall mounted type (Models: ASYG07KGTB, ASYG09KGTB, ASYG12KGTB, ASYG14KGTB, ASYG07KETA, ASYG09KETA, ASYG12KETA, ASYG14KETA, ASYG07KETA-B, ASYG09KETA-B, ASYG12KETA-B, and ASYG14KETA-B)

External input and output PCB



| PCB | External input | External output | Connector | Input select | Input signal |
|--|-----------------------|----------------------------------|-----------------|-------------------------------|--------------|
| External input and output (UTY-XCSXZ2) | Operation/Stop | - | CN313/ CN314 | Dry contact/ Apply voltage | Edge/Pulse |
| | Forced stop | | CN313 | | Edge |
| | Forced thermostat off | | | Operation status | CN310 |
| | - | Error status | CN311 | | |
| | | Indoor unit fan operation status | CN312 | | |

NOTE: KETA, KETA-B: External input and output PCB cannot be used with Wireless LAN adapter simultaneously.

External input

With using external input function, some functions on this product can be controlled from an external device.

- "Operation/Stop" mode or "Forced stop" mode can be selected with function setting of indoor unit.
- A twisted pair cable should be used. Maximum length of cable is 150 m.
- The wire connection should be separate from the power cable line.

External input and output PCB

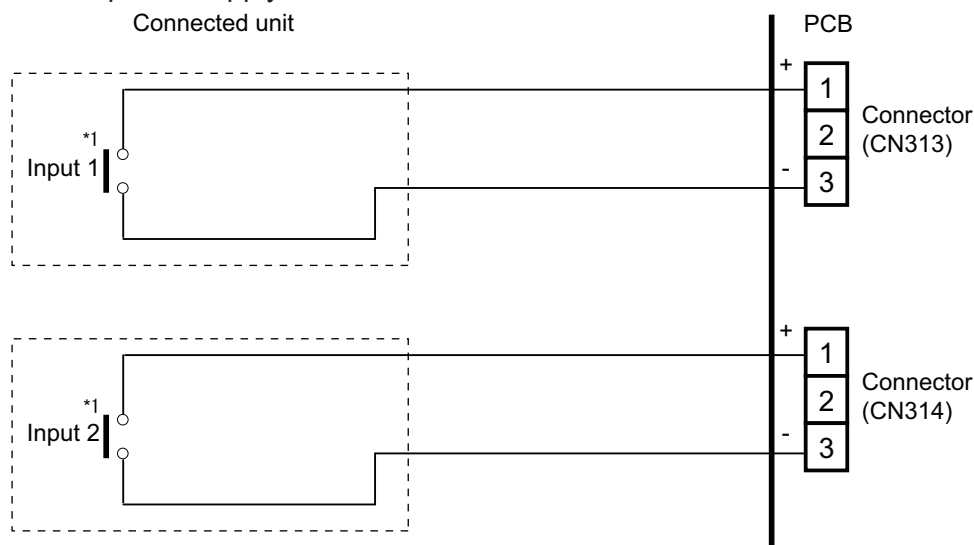
The indoor unit Operation/Stop can be set by using the input connector on the PCB.

Input select:

Use either one of these types of connectors according to the application. (Both types of connectors cannot be used simultaneously.)

– Dry contact

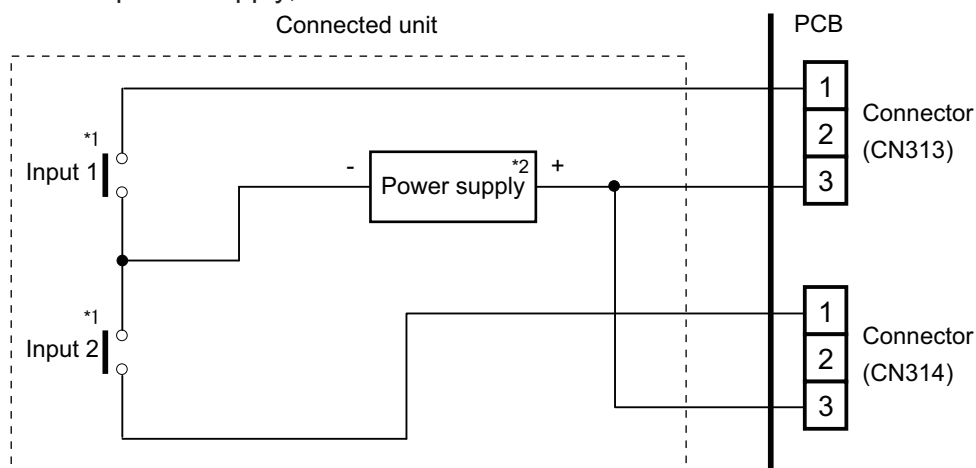
In case of internal power supply, set the slide switch of SW301 to "NON VOL" side.



*1: The switches can be used on the following condition: DC 12 V to 24 V, 1 mA to 15 mA.

– Apply voltage

In case of external power supply, set the slide switch of SW301 to "VOL" side.



*1: The switches can be used on the following condition: DC 12 V to 24 V, 1 mA to 15 mA.

*2: Make the power supply DC 12 to 24 V, 10 mA or more.

External output

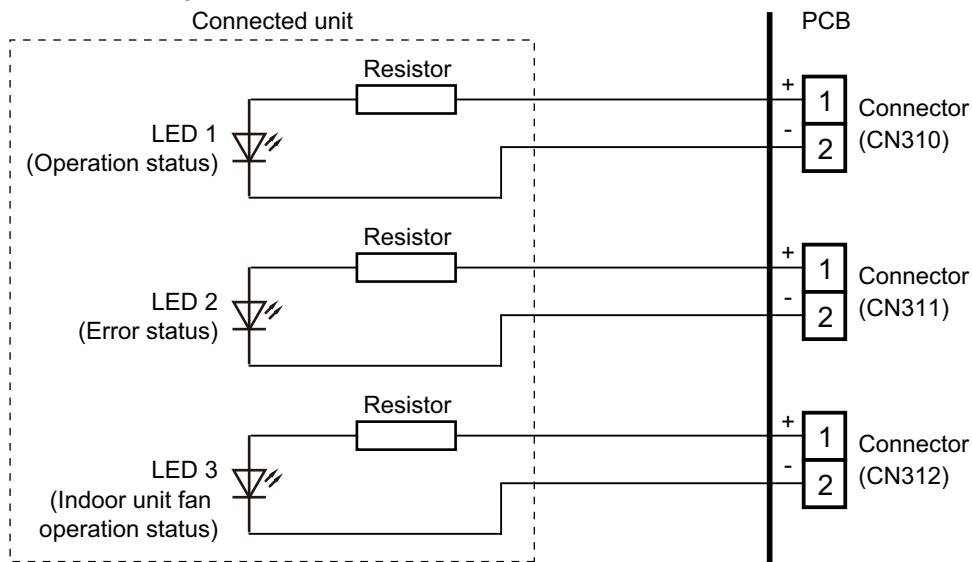
Use an external output cable with appropriate external dimension, depending on the number of cables to be installed.

External input and output PCB

- A twisted pair cable (22AWG) should be used. Maximum length of cable is 25 m.
- Output voltage: High DC 12 V±2 V, Low 0 V.
- Permissible current: 50 mA
- For details, refer to ["Combination of external input and output"](#) on page 108.

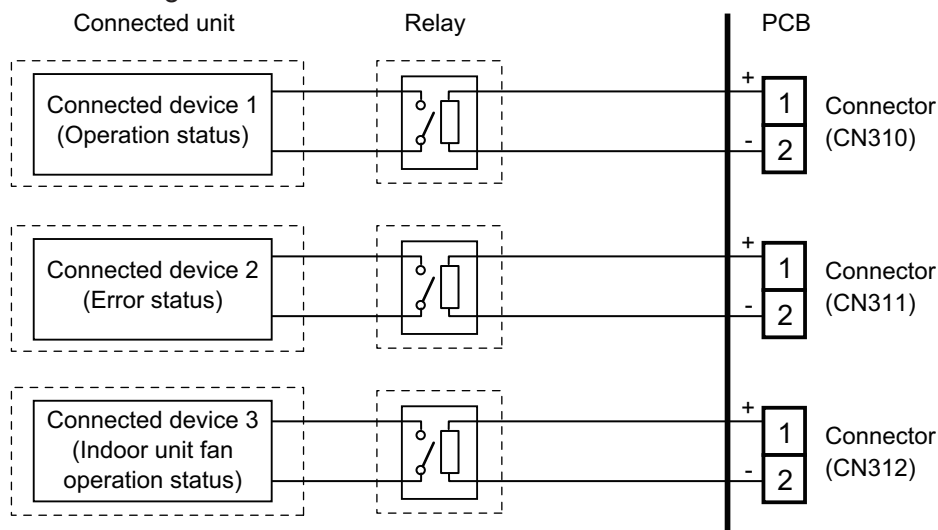
When indicator or other components are connected directly:

Example: Function setting 60 is set to "00".



When connecting with a device equipped with a power supply:

Example: Function setting 60 is set to "00".



■ Combination of external input and output

By combining the function setting of the indoor unit and rotary switch setting of the External input and output PCB, you can select various combinations of functions.

Combination examples of external input and output are as follows:

| Mode | Function setting | External input and output PCB (Rotary SW) | External input | | |
|------|------------------|---|-------------------------------|---------------|-------------|
| | | | External input and output PCB | | |
| | | | CN313 | CN314 | Signal type |
| 0-1 | 60-00 | 1 | Operation/Stop | Not available | Edge |
| | | | Operation | Stop | Pulse |
| 0-2 | 60-00 | 2 | Forced Thermostat OFF | Not available | Edge |
| 1—8 | 60-01 to 60-08 | 3 - 9, A | (Setting prohibited) | | |
| 9 | 60-09 | B | Forced Thermostat OFF | Not available | Edge |
| 10 | 60-10 | C | Forced Thermostat OFF | Not available | Edge |
| 11 | 60-11 | D | Forced Thermostat OFF | Not available | Edge |

| Mode | Function setting | External input and output PCB (Rotary SW) | External output | | |
|------|------------------|---|-------------------------------|----------------------------------|----------------------------------|
| | | | External input and output PCB | | |
| | | | CN310 | CN311 | CN312 |
| 0-1 | 60-00 | 1 | Operation/Stop | Error status | Indoor unit fan operation status |
| 0-2 | 60-00 | 2 | Error status | Indoor unit fan operation status | Not available |
| 1—8 | 60-01 to 60-08 | 3 - 9, A | (Setting prohibited) | | |
| 9 | 60-09 | B | Operation/Stop | Indoor unit fan operation status | Not available |
| 10 | 60-10 | C | Operation/Stop | Error status | Not available |
| 11 | 60-11 | D | Operation/Stop | Indoor unit fan operation status | Error status |

NOTE: Input of Operation/Stop depends on the setting of function setting 46.

00: Operation/Stop mode 1 (R.C. enabled)

01: (Setting prohibited)

02: Forced stop

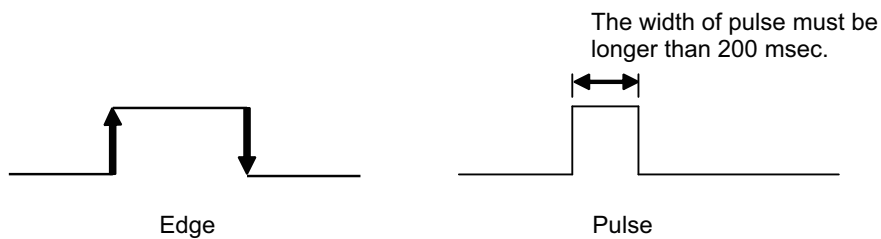
03: Operation/Stop mode 2 (R.C. disabled)

● Input signal type

External input and output PCB:

The input signal type can be selected.

Signal type (edge or pulse) can be switched by the DIP switch SW302 on the External input and output PCB.



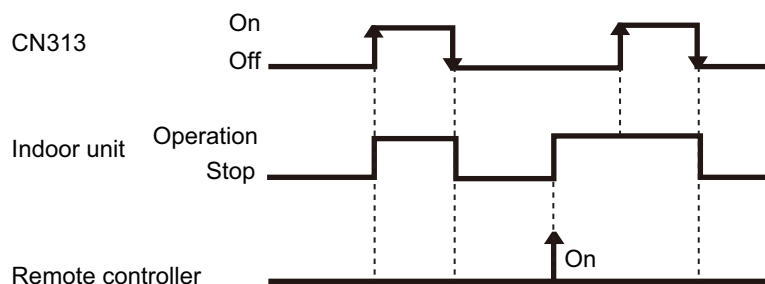
■ Details of function

● Control input function

- When function setting is "Operation/Stop" mode 1

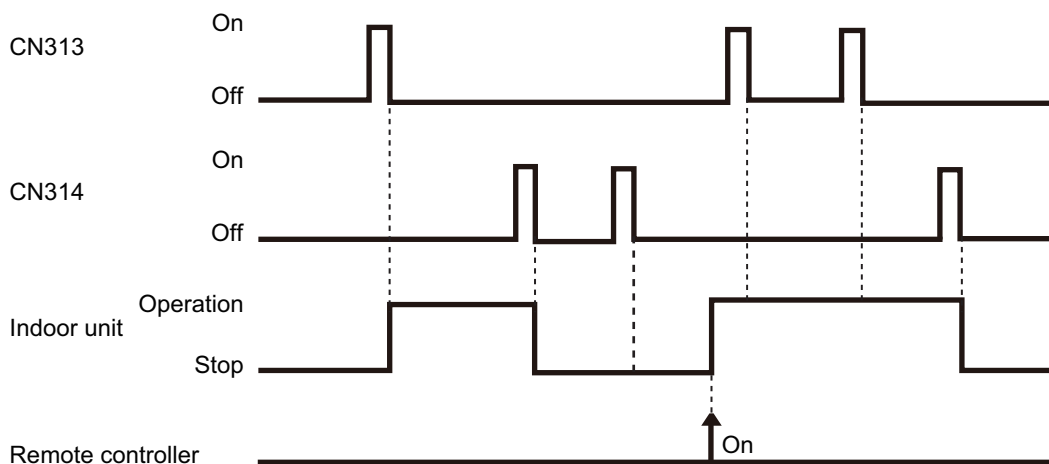
– In the case of "Edge" input:

| Function setting / | Rotary SW on External input and output PCB | External input | | Input signal | Command |
|--------------------|--|-------------------------------|-------|--------------|-----------|
| | | External input and output PCB | CN313 | | |
| 46-00 | 60-00 / 1 | | | Off → On | Operation |
| | | | | On → Off | Stop |



– In the case of "Pulse" input:

| Function setting / | Rotary SW on External input and output PCB | External input | | Input signal | Command |
|--------------------|--|-------------------------------|---------------|--------------|-----------|
| | | External input and output PCB | CN313 / CN314 | | |
| 46-00 | 60-00 / 1 | | CN313 | Pulse | Operation |
| | | | CN314 | Pulse | Stop |



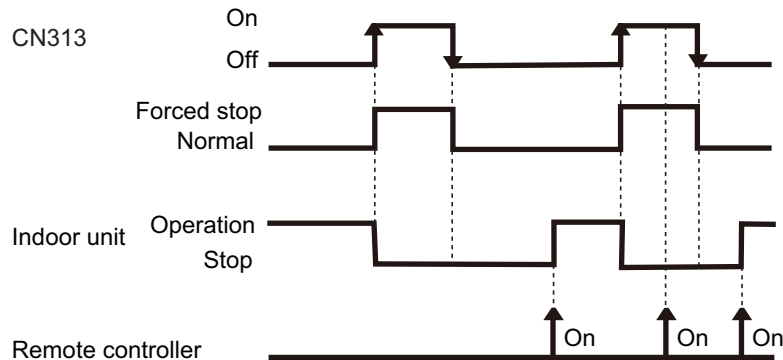
NOTES:

- The last command has priority.
- The indoor units within the same remote controller group operates in the same mode.

• When function setting is "Forced stop" mode

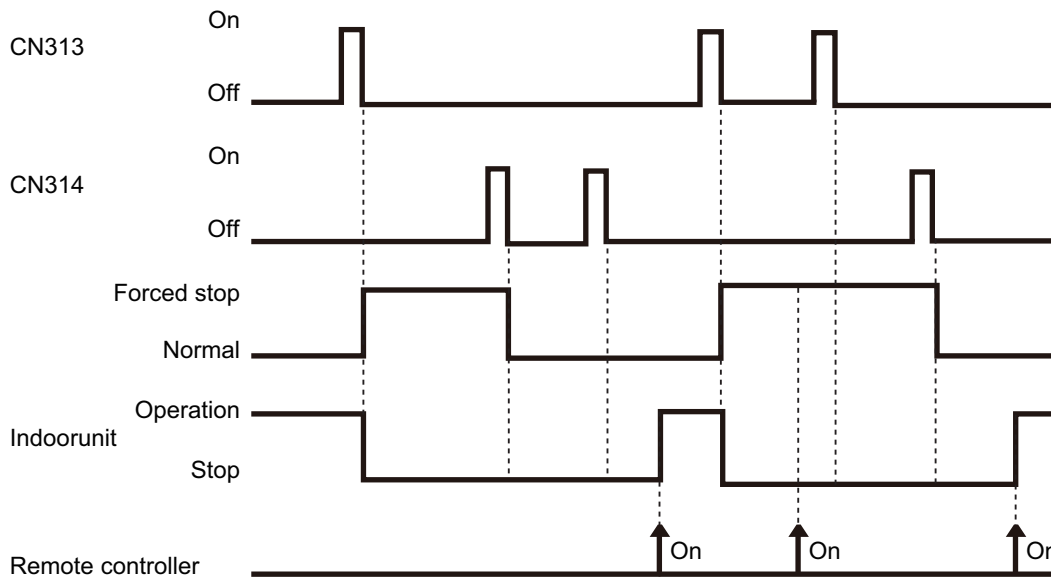
– In the case of "Edge" input:

| Function setting / | Rotary SW on External input and output PCB | External input | | Input signal | Command |
|--------------------|--|-------------------------------|-------|--------------|-------------|
| | | External input and output PCB | CN313 | Off → On | Forced stop |
| 46-02 | 60-00 / 1 | | | On → Off | Normal |



– In the case of "Pulse" input:

| Function setting / | Rotary SW on External input and output PCB | External input | | Input signal | Command |
|--------------------|--|-------------------------------|-------|--------------|-------------|
| | | External input and output PCB | CN313 | Pulse | Forced stop |
| 46-02 | 60-00 / 1 | | CN314 | Pulse | Normal |



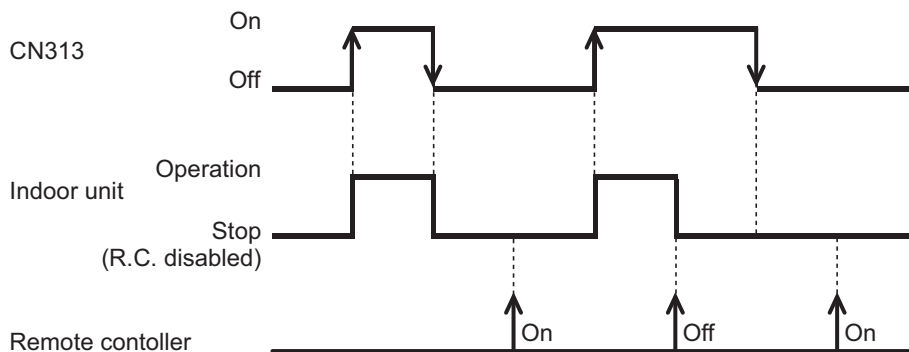
NOTES:

- When the forced stop is triggered, indoor unit stops and Operation/Stop operation by the remote controller is restricted.
- When forced stop function is used with forming a remote controller group, connect the same equipment to each indoor unit within the group.

• When function setting is "Operation/Stop" mode 2

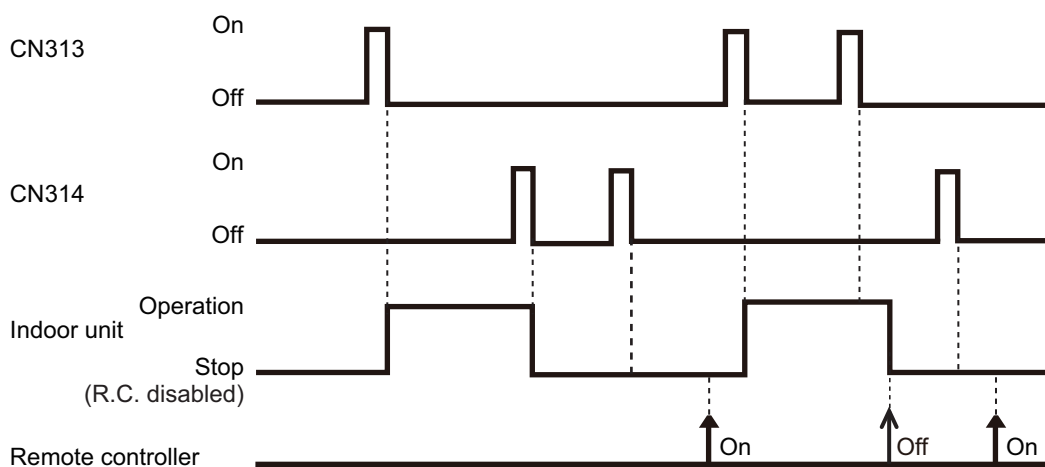
– In the case of "Edge" input:

| Function setting / | Rotary SW on External input and output PCB | External input | | Input signal | Command |
|--------------------|--|-------------------------------|-------|--------------|----------------------|
| 46-03 | 60-00 / 1 | External input and output PCB | CN313 | Off → On | Operation |
| | | | | On → Off | Stop (R.C. disabled) |



– In the case of "Pulse" input:

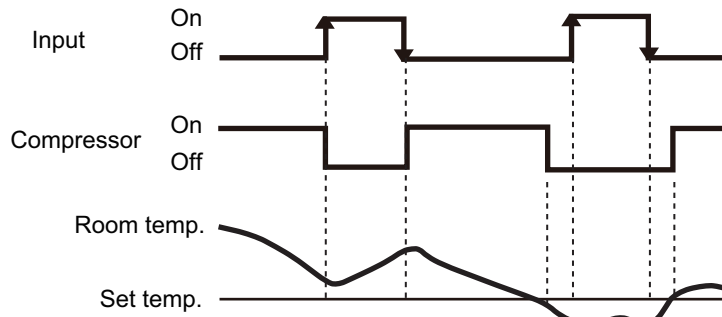
| Function setting / | Rotary SW on External input and output PCB | External input | | Input signal | Command |
|--------------------|--|-------------------------------|-------|--------------|----------------------|
| 46-03 | 60-00 / 1 | External input and output PCB | CN313 | Pulse | Operation |
| | | | CN314 | Pulse | Stop (R.C. disabled) |



NOTE: When "Operation/Stop" mode 2 function is used with forming a remote controller group, connect the same equipment to each indoor unit within the group.

• Forced thermostat off function

| Function setting / | Rotary SW on External input and output PCB | External input | | Input signal | Command |
|--------------------|--|-------------------------------|-------|--------------|------------------|
| | 60-00 / 2 60-09 / B 60-10 / C | External input and output PCB | CN313 | Off → On | Thermostat off |
| | | | | On → Off | Normal operation |



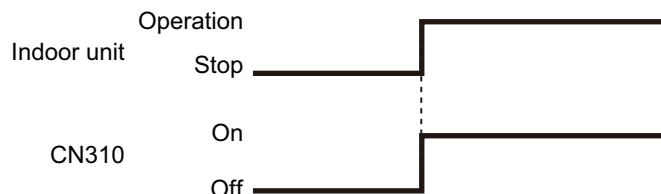
NOTE: When the signal is received from another unit on the refrigerant circuit, there may be a delay in thermostat off function at the unit.

● Control output function

• Operation/Stop status

| Function setting / | Rotary SW on External input and output PCB | External output | | Output signal | Command |
|--------------------|--|-------------------------------|-------|---------------|-----------|
| 60-00 / 1 | | External input and output PCB | CN310 | Off → On | Operation |
| | | | | On → Off | Stop |

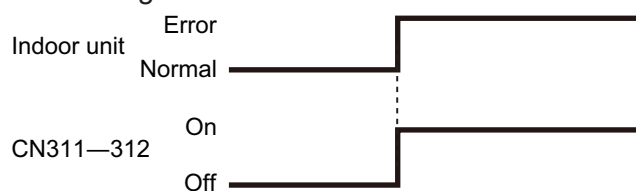
The output is low when the unit is stopped.



• Error status

| Function setting / | Rotary SW on External input and output PCB | External output | | Output signal | Command |
|--------------------|--|-------------------------------|-------|---------------|---------|
| 60-00 / 1 | | External input and output PCB | CN311 | Off → On | Error |
| | | | | On → Off | Normal |

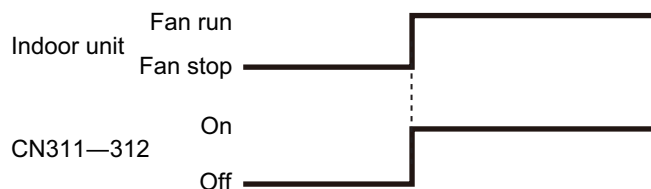
The output is ON when an error is generated for the indoor unit.



• Indoor unit fan operation status

| Function setting / | Rotary SW on External input and output PCB | External output | | Output signal | Command |
|--------------------|--|-------------------------------|-------|---------------|----------|
| 60-00 / 1 | | External input and output PCB | CN312 | Off → On | Fan run |
| | | | | On → Off | Fan stop |

| Output signal | Condition |
|-------------------|--|
| On Low → High | The indoor unit fan is operating. |
| Off High → Low | The fan is stopped or during cold air prevention. During thermostat off when in dry mode operation. |



11-3. Wall mounted type (Models: ASYG07KMTB, ASYG09KMTB, ASYG12KMTB, ASYG14KMTB, ASYG07KMCC, ASYG09KMCC, ASYG12KMCC, and ASYG14KMCC)

With using external input and output functions, this product can be operated inter-connectedly with an external device.

| Connector | Input | Output | Remarks |
|-----------|---------------|-------------------------|---|
| CNA01 | Control input | — | See external input/output settings for details. |
| CNB01 | — | Operation status output | |
| CNB02 | — | Error status output | |

■ External input

With using external input function, some functions on this product can be controlled from an external device.

- “Operation/Stop” mode can be selected with function setting of indoor unit.
- A twisted pair cable (22AWG) should be used. Maximum length of cable is 150 m.
- The wire connection should be separate from the power cable line.

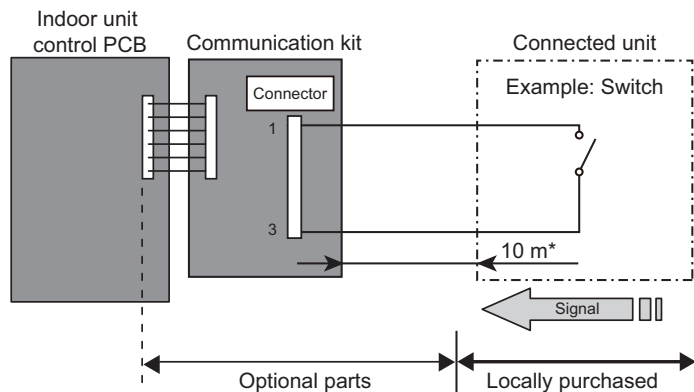
● Control input (Operation/Stop or Forced stop)

The air conditioner can be remotely operated by means of the following on-site work.

Unit operation is started at the following contents by adding the contact input of a commercial on/off switch to a connector on the external control PCB and turning it on.

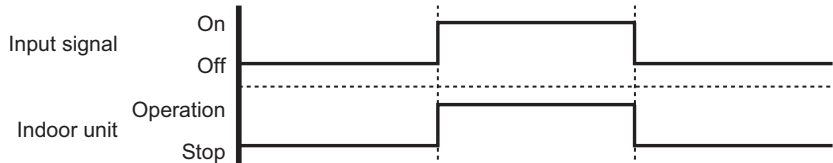
| Unit operation | Initial setting after power is on | Starting mode other than initial setting |
|-----------------------|-------------------------------------|--|
| Operation mode | Auto changeover | Mode at previous operation |
| Set temperature | 24 °C | Temperature at previous operation |
| Airflow mode | AUTO | Mode at previous operation |
| Air direction (swing) | Standard air direction (swing: off) | Air direction at previous operation |

• **Circuit diagram example**

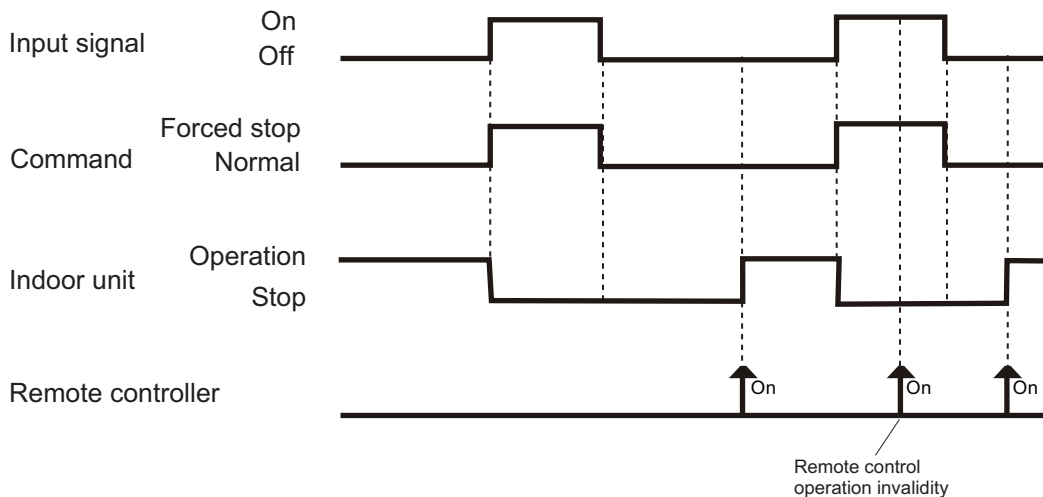


- Contact capacity: DC 24 V or more, 10 mA or more.
- *: Make the distance from the PCB to the connected unit within 10 m.
- Use non-polar relays and switches.

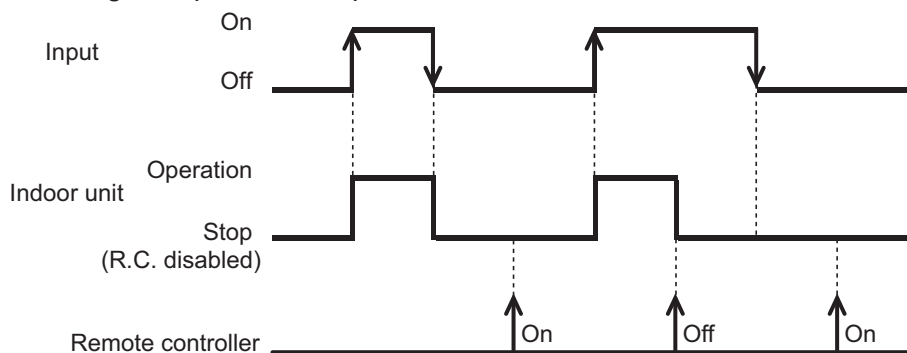
– When function setting is "Operation/Stop" mode



– When function setting is "Forced stop" mode

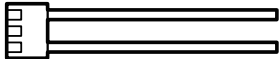



– When function setting is "Operation/Stop" mode 2



NOTE: When "Operation/Stop" mode 2 function is used with forming a remote controller group, connect the same equipment to each indoor unit within the group.

- Optional part

| Part name | Model name | Exterior |
|----------------------|------------|--|
| External connect kit | UTY-XWZXZ5 | External input wire  |
| Communication kit | UTY-TWBXF2 |  |

* For operating the external function, the wall mounted type requires the communication kit in addition to the wire (UTY-XWZXZ5).

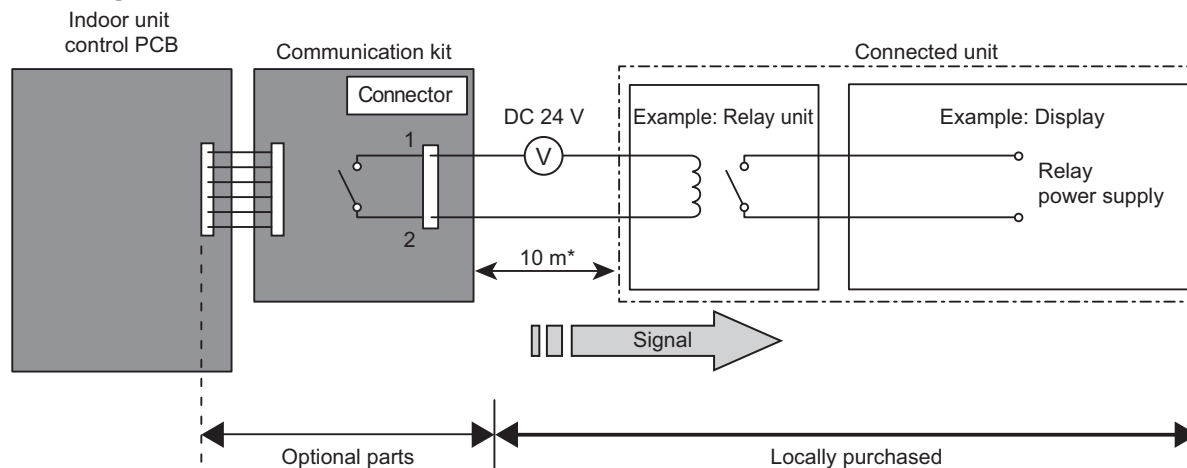
External output

With using external output function, operating status of this product can be transmitted to the external device, and also, this product can be inter-connected with the external device.

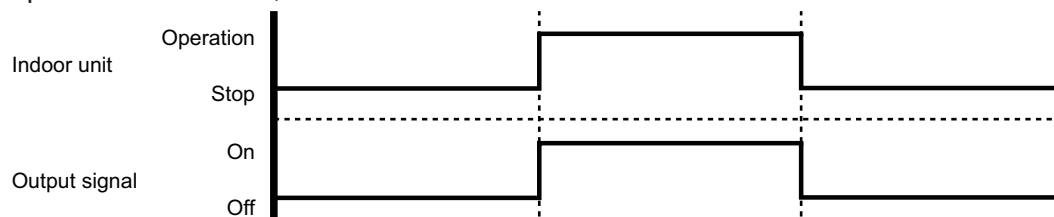
Operation status output

Air conditioner operation status signal can be output.



• Circuit diagram example:



- *: Make the distance from the PCB to the connected unit within 10 m.
- Relay spec: Max. DC 24 V, 10 mA to less than 500 mA.



• Optional part:

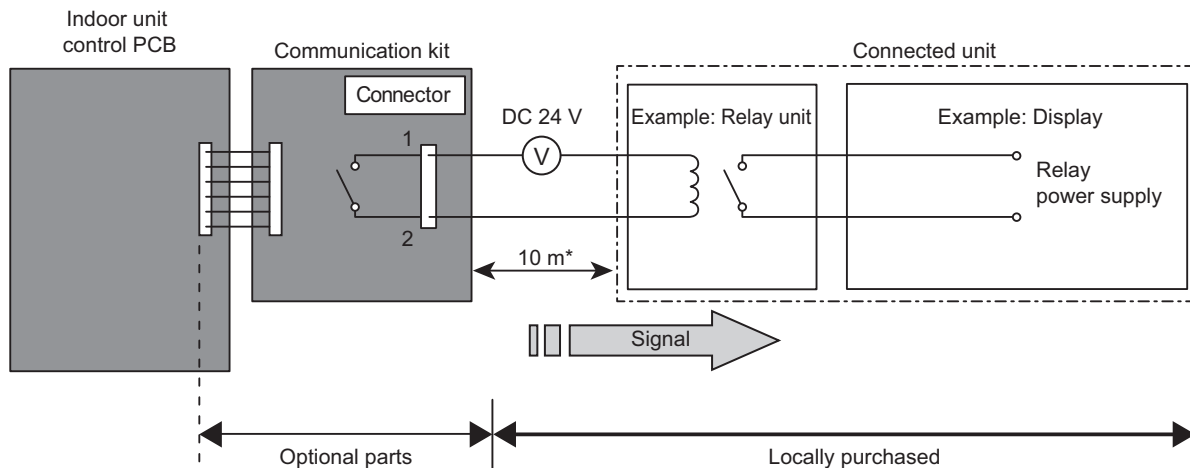
| Part name | Model name | Exterior |
|----------------------|------------|---|
| External connect kit | UTY-XWZXZ5 | External output wire  |
| Communication kit | UTY-TWBXF2 |  |

* For operating the external function, the wall mounted type requires the communication kit in addition to the wire (UTY-XWZXZ5).

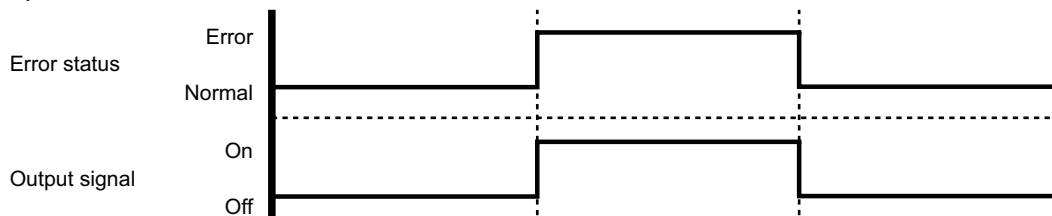
● Error status output

Air conditioner error status signal can be output.



• Circuit diagram example:



- *: Make the distance from the PCB to the connected unit within 10 m.
- Relay spec: Max. DC 24 V, 10 mA to less than 500 mA.

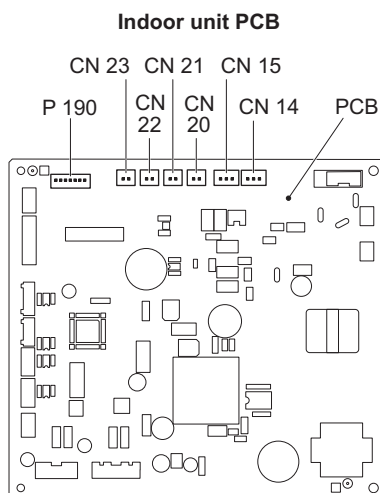


• Optional part:

| Part name | Model name | Exterior |
|----------------------|------------|---|
| External connect kit | UTY-XWZXZ5 | External output wire  |
| Communication kit | UTY-TWBXF2 |  |

* For operating the external function, the wall mounted type requires the communication kit in addition to the wire (UTY-XWZXZ5).

11-4. Floor type



| PCB | External input | External output | Connector | Input signal |
|-------------|-----------------------|----------------------------------|-------------------------|--------------|
| Indoor unit | Operation/Stop | — | CN14 | Edge |
| | Forced stop | | CN15 | |
| | Forced thermostat off | | | |
| | — | Operation status | CN20/CN21/ CN22/CN23 | — |
| | — | Error status | | |
| | — | Indoor unit fan operation status | | |
| | — | External heater output | | |

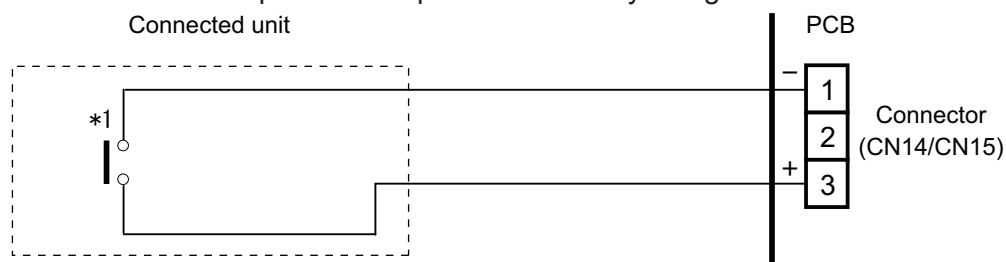
External input

With using external input function, some functions on this product can be controlled from an external device.

- “Operation/Stop” mode can be selected with function setting of indoor unit.
- A twisted pair cable (22AWG) should be used. Maximum length of cable is 150 m.
- The wire connection should be separate from the power cable line.

Indoor unit

Indoor unit functions such as Operation/Stop can be done by using indoor unit connectors.



*1: The switch can be used on the following condition: DC 12 V to 24 V, 1 mA to 15 mA.

External output

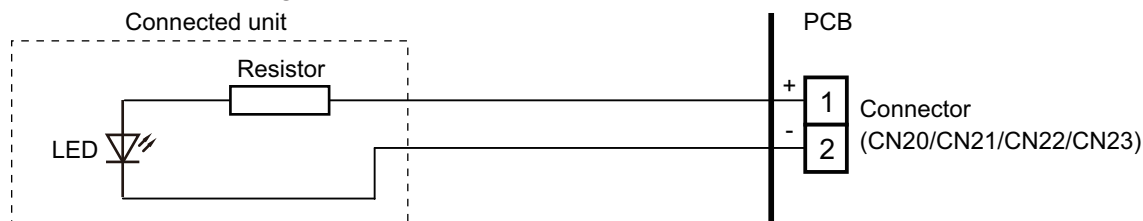
Use an external output cable with appropriate external dimension, depending on the number of cables to be installed.

Indoor unit

- A twisted pair cable (22AWG) should be used. Maximum length of cable is 25 m .
- Output voltage: High DC 12 V \pm 2 V, Low 0 V.
- Permissible current: 50 mA
- For details, refer to Chapter 11-4-3. "[Combination of external input and output](#)" on page 122.

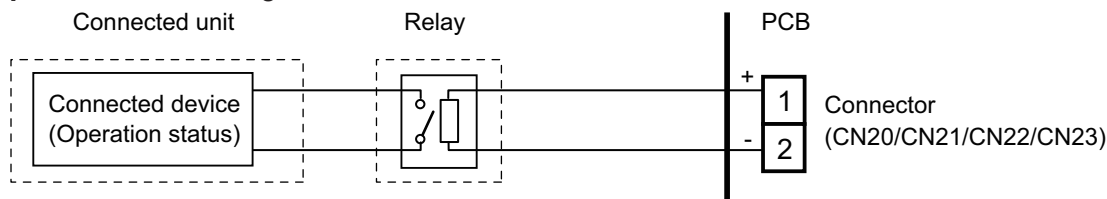
When indicator or other components are connected directly

Example: Function setting 60 is set to "00"



When connecting with a device equipped with a power supply

Example: Function setting 60 is set to "00"



■ Combination of external input and output

By combining the function setting of the indoor unit, you can select various combinations of functions.

Combination examples of external input and output are as follows:

| Mode | Function setting | External input | |
|------|------------------|---|-----------------------|
| | | Indoor unit | |
| | | CN14 | CN15 |
| 0 | 60-00 | Operation/Stop (Function setting 46-00) or Forced stop (Function setting 46-02) | Forced thermostat Off |
| 9 | 60-09 | | Forced thermostat Off |
| 10 | 60-10 | | Forced thermostat Off |
| 11 | 60-11 | | Forced thermostat Off |
| 12 | 60-12 | | Forced thermostat Off |

| Mode | Function setting | External output | | | |
|------|------------------|----------------------------------|----------------|----------------------------------|------------------------|
| | | Indoor unit | | | |
| | | CN20 | CN21 | CN22 | CN23 |
| 0 | 60-00 | Operation/Stop | Error status | Indoor unit fan operation status | External heater output |
| 9 | 60-09 | Error status | Operation/Stop | Indoor unit fan operation status | External heater output |
| 10 | 60-10 | Indoor unit fan operation status | Operation/Stop | Error status | External heater output |
| 11 | 60-11 | External heater output | Operation/Stop | Indoor unit fan operation status | Error status |

NOTE: Input of Operation/Stop depends on the setting of function setting 46.

00: Operation/Stop mode 1 (R.C. enabled)

01: (Setting prohibited)

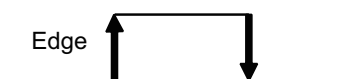
02: Forced stop

03: Operation/Stop mode 2 (R.C. disabled)

● Input signal type

• Indoor unit

Input signal type is only "Edge".

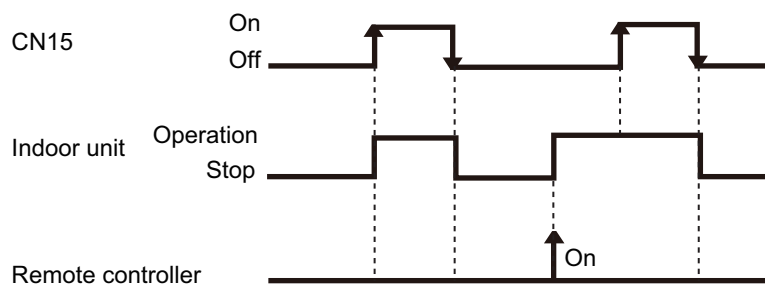


■ Details of function

● Control input function

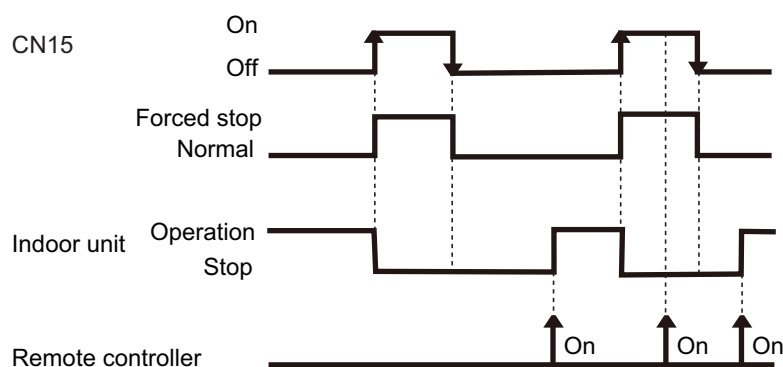
- When function setting is "Operation/Stop" mode 1
 - In the case of "Edge" input

| Mode | Function setting | | External input | Input signal | Command | |
|------|------------------|------|----------------------|--------------|-----------|-----------|
| 0 | 46-00 | — | Input of indoor unit | CN14 | Off → On | Operation |
| | | | | | On → Off | Stop |
| | 60-00 | CN15 | | Off → On | Operation | |
| | | | | On → Off | Stop | |



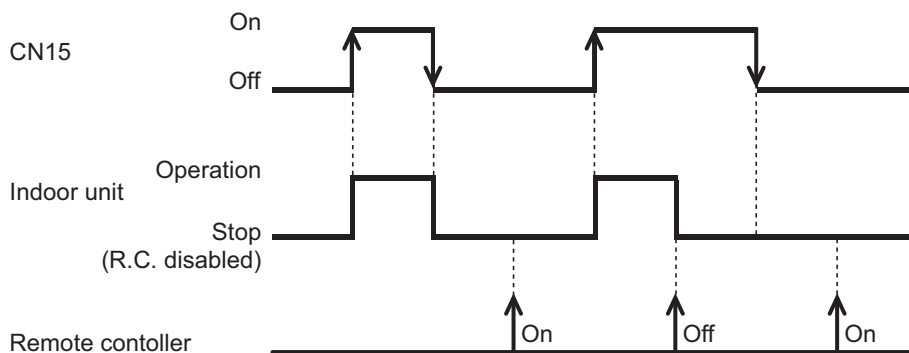
- When function setting is "Forced stop" mode
 - In the case of "Edge" input

| Mode | Function setting | | External input | Input signal | Command | |
|------|------------------|------|----------------------|--------------|-------------|-------------|
| 0 | 46-02 | — | Input of indoor unit | CN14 | Off → On | Forced stop |
| | | | | | On → Off | Normal |
| | 60-00 | CN15 | | Off → On | Forced stop | |
| | | | | On → Off | Normal | |



- When function setting is "Operation/Stop" mode 2
 - In the case of "Edge" input

| Mode | Function setting | | External input | Input signal | Command | |
|------|------------------|------|----------------------|--------------|----------------------|----------------------|
| 0 | 46-03 | — | Input of indoor unit | CN14 | Off → On | Operation |
| | | | | CN14 | On → Off | Stop (R.C. disabled) |
| | 60-00 | CN15 | | Off → On | Operation | |
| | | CN15 | | On → Off | Stop (R.C. disabled) | |

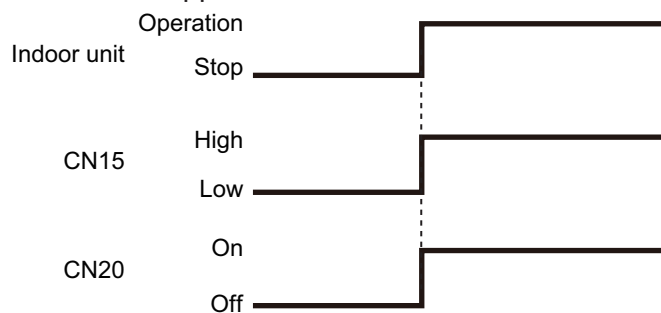


● Control output function

• Operation/Stop status

| Mode | Function setting | External output | | Output signal | Command |
|------|------------------|-----------------------|------|---------------|-----------|
| 0 | 60-00 | Output of indoor unit | CN15 | Low → High | Operation |
| | | | | High → Low | Stop |
| 0 | 60-00 | | CN20 | Off → On | Operation |
| | | | | On → Off | Stop |

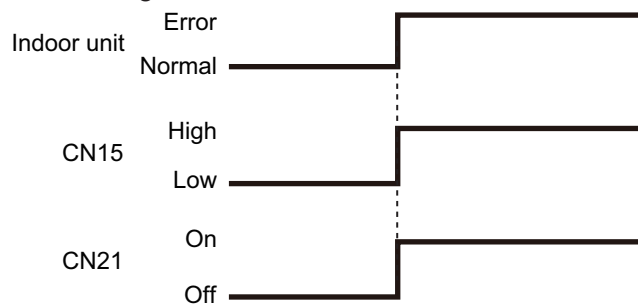
The output is low when the unit is stopped.



• Error status

| Mode | Function setting | External output | | Output signal | Command |
|------|------------------|-----------------------|------|---------------|---------|
| 9 | 60-09 | Output of indoor unit | CN15 | Low → High | Error |
| | | | | High → Low | Normal |
| 0 | 60-00 | | CN21 | Off → On | Error |
| | | | | On → Off | Normal |

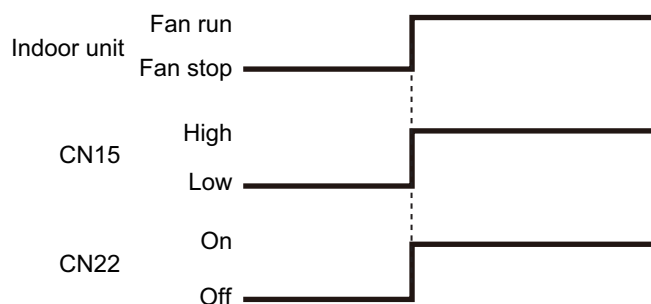
The output is ON when an error is generated for the indoor unit.



- Indoor unit fan operation status

| Mode | Function setting | External output | | Output signal | Command |
|------|------------------|-----------------------|------|---------------|----------|
| 10 | 60-10 | Output of indoor unit | CN15 | Low → High | Fan run |
| | | | | High → Low | Fan stop |
| 0 | 60-00 | Output of indoor unit | CN22 | Off → On | Fan run |
| | | | | On → Off | Fan stop |

| Output signal | Condition |
|-------------------|--|
| On Low → High | The indoor unit fan is operating. |
| Off High → Low | The fan is stopped or during cold air prevention. During thermostat off when in dry mode operation. |



- Set point attainment status

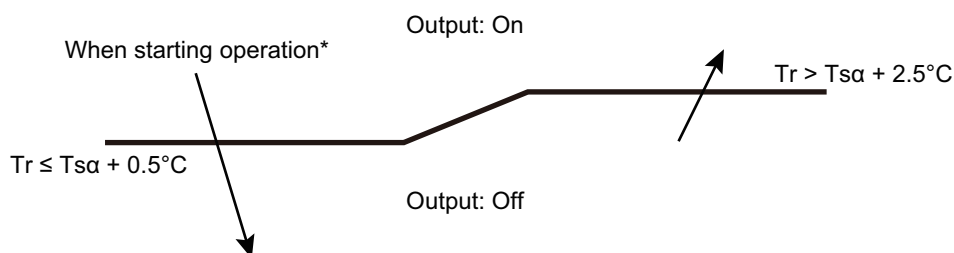
NOTE: This function is valid only when function setting 96 is set to "01" (Primary unit) or "02" (Secondary unit).

When the room temperature does not reach the set point at a room due to the lower cooling performance caused by external factor such as the outdoor temperature change, signal is output to tell the attainment status of set point.

| Mode | Function setting | External output | | Output signal | Command |
|------|------------------|-----------------------|------|---------------|----------------------|
| 12 | 60-12 | Output of indoor unit | CN15 | On → Off | Normal |
| | | | | Off → On | Set point attainment |

| Output signal | Condition |
|---------------|---|
| Off | Reached the set point. ($T_r \leq T_{s\alpha} + 0.5^\circ\text{C}$) |
| On | Unreached the set point. ($T_r > T_{s\alpha} + 2.5^\circ\text{C}$) However, even if the set point unreached, the signal will not be output for 7 minutes after power is turned on. |

When performing the server room control, both of the primary unit and secondary unit output the set point attainment status if any of the unit is outputting alternative operation command.

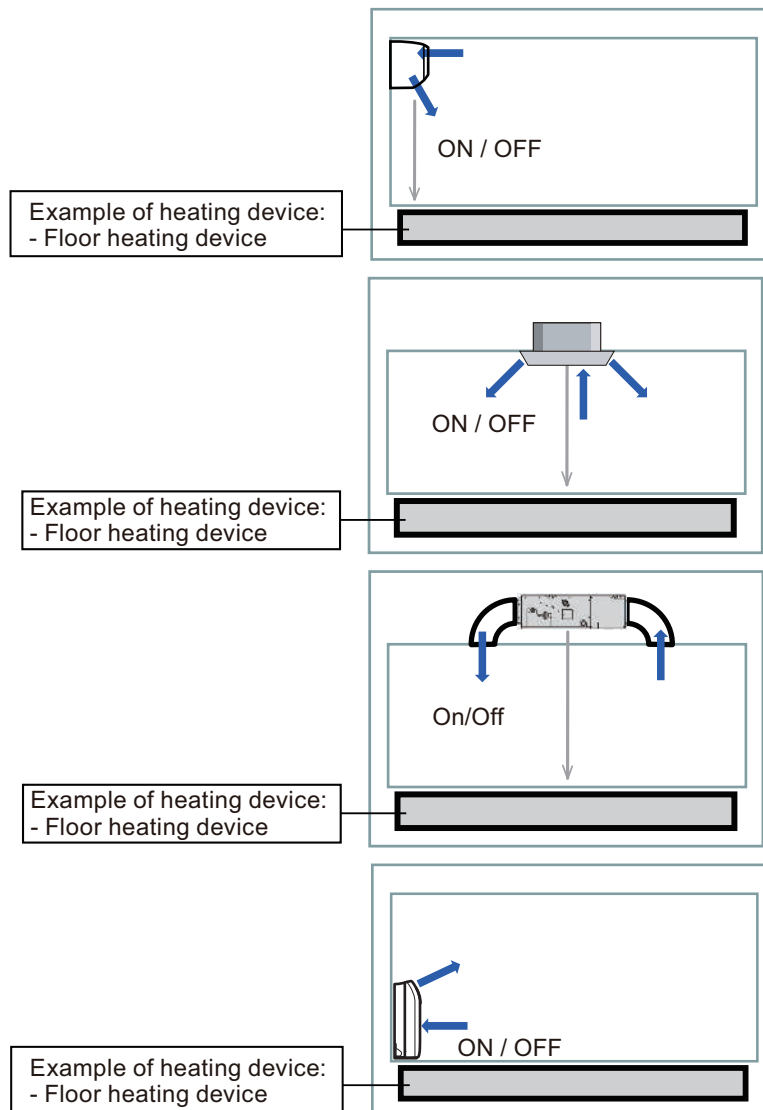


*: When starting operation or resetting, judges the zone to descending direction.

● External heater output

• Installation configuration of individual connection

External heating device is installed individually. (No use of indoor unit fan)



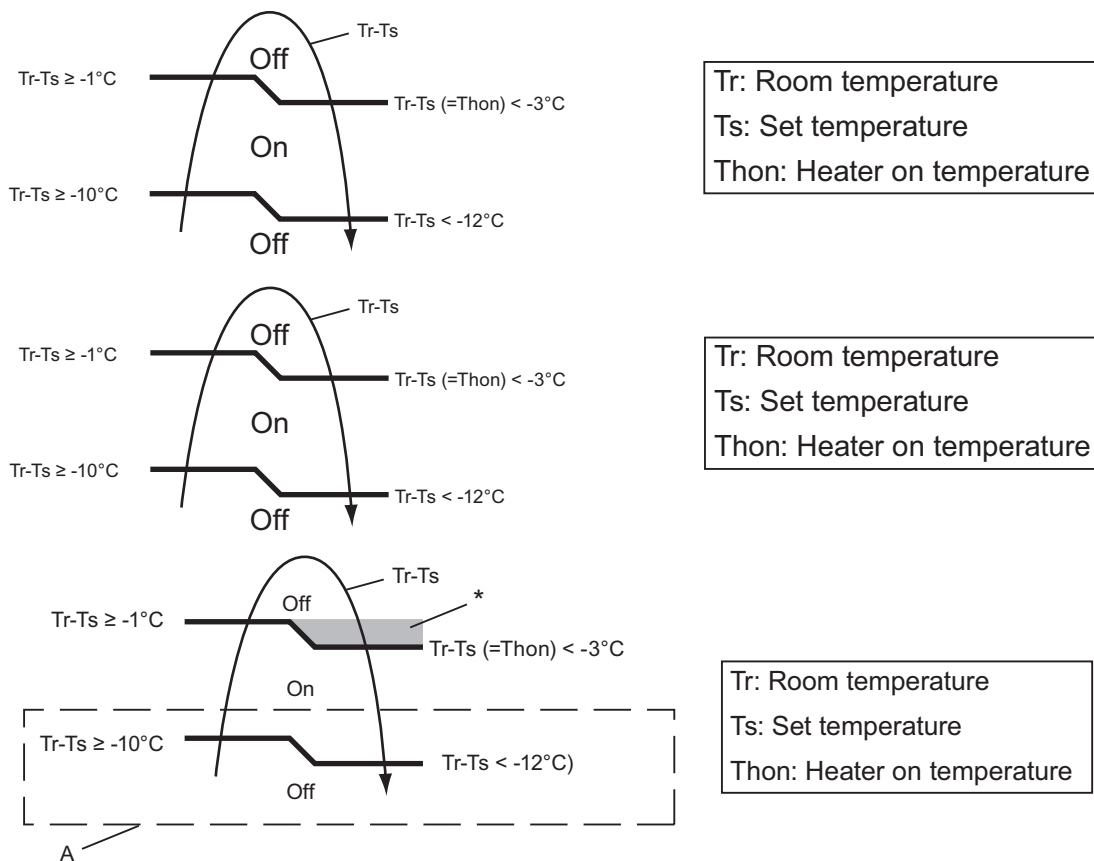
⚠ WARNING

- Design and install external heater appropriately with considering its protection.
- Inappropriate designing and installation of external heater may cause a fire by emitted heat from the external heater.
- Fujitsu General Ltd. is not responsible for inappropriate designing or installation of external heating device.

• Auxiliary heater control 1

| Operation | Condition |
|------------|--|
| Heater on | Heater is on as shown in following diagram of heating temperature. |
| Heater off | <ul style="list-style-type: none"> • Heater is off as shown in following diagram of heating temperature. • Other than heating mode • Error occurred • Forced thermostat off • Fan stop protection |

- Temperature of heater on (Thon): Adjustable by function number 62 (Operating temperature switching of external heaters).
- All control temperatures will shift by adjusting "Thon".



*: When room temperature stays in this zone for a specific time, auxiliary heater is turned on. For details, refer to function number 71.

Example: When set temperature (Ts) is 22°C (Factory setting),

- and room temperature (Tr) increases above 12°C, signal output is on.
- and room temperature (Tr) increases above 21°C, signal output is off.
- and room temperature (Tr) decreases below 19°C, signal output is on.
- and room temperature (Tr) decreases below 10°C, signal output is off.

12. Group connection

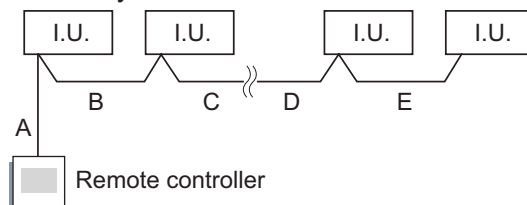
NOTE: Group control cannot be used together with Wireless LAN adapter.

Installation procedure for group control system:

A number of indoor units can be operated at the same time using a single remote controller.

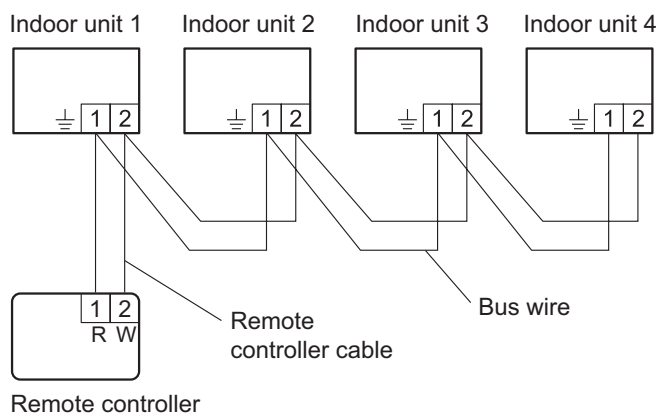
NOTE: When different type of indoor units (such as wall mounted type and cassette type, cassette type and duct type, or other combinations) are connected using group control system, some functions may no longer be available.

1. Connect up to 16 indoor units in a system.

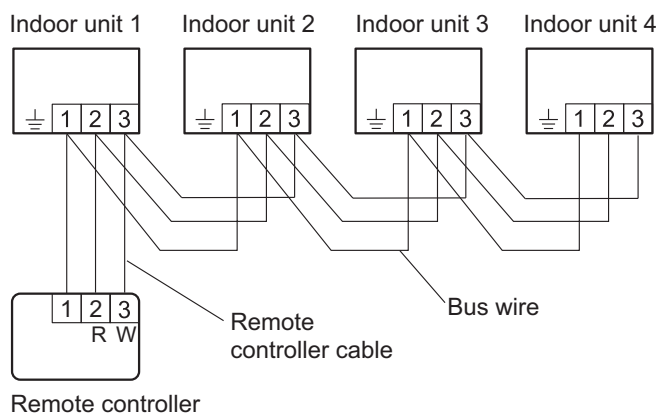


| | |
|--|--|
| A, B, C, D, E: Remote controller cable | |
| Wiring length limitation | $A + B + C + D + E \leq 500 \text{ m}$ |

Example of wiring method



Example of wiring method



2. Set the R.C. address. (Function setting)

- Addresses will be automatically set when initially starting up this unit. In such a case, do not change the remote controller address for the indoor unit, and keep it at the initial setting of "00".
- Only set addresses manually when using different numbers for addresses.
Set the R.C. address of each indoor unit using the function setting. (Refer to "Remote controller address setting" in "[Contents of function setting](#)" on page 203.)

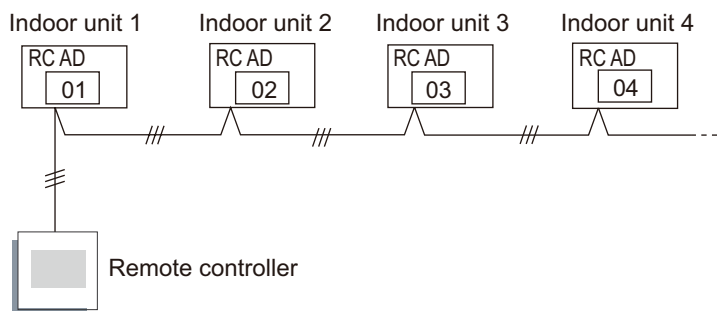
NOTES:

- Do not use the same setting value.
- Setting is reflected after the power is turned on again.

Also set the R.C. address for the remote controller. For details, refer to the remote controller installation manual.

NOTE: In manual setting, connect up to 15 indoor units in a system.

Example of wiring method

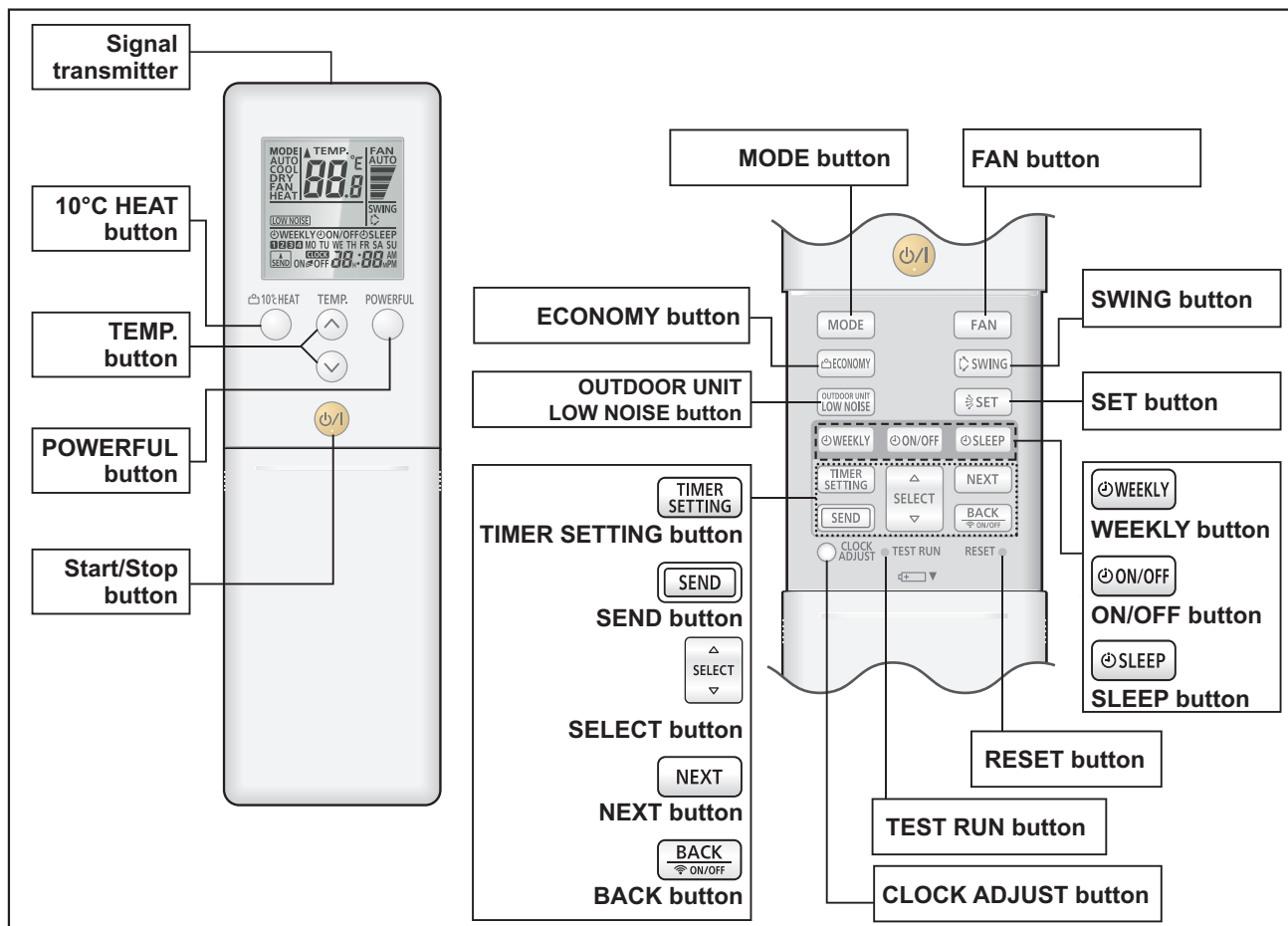


13. Remote controller

13-1. Wireless remote controller (AR-REW4E, AR-REM4E, and AR-REB1E)

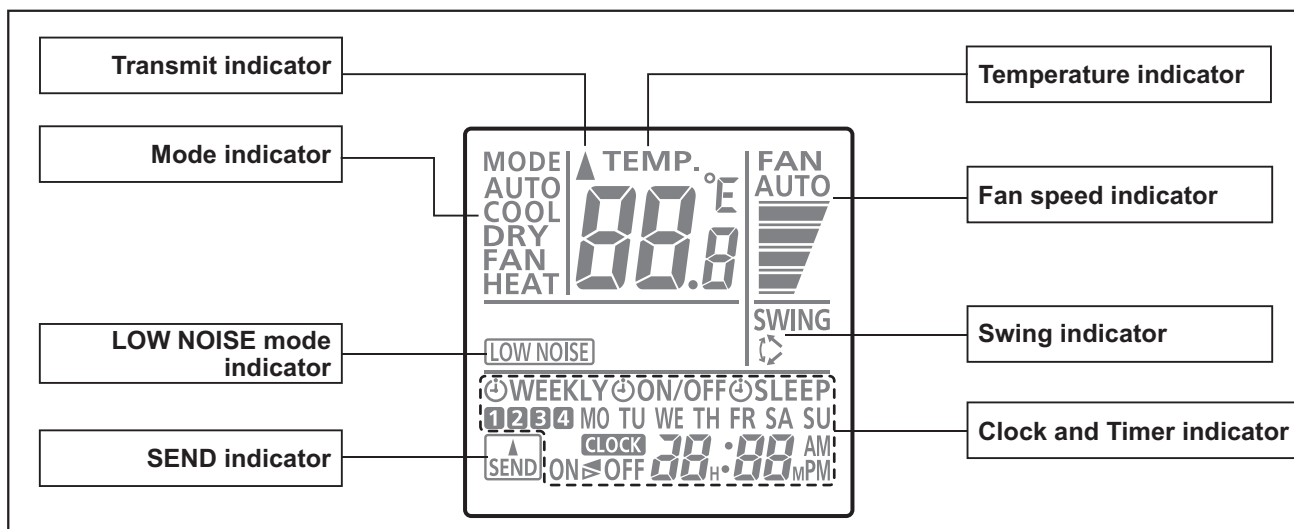
Overview

- AR-REW4E



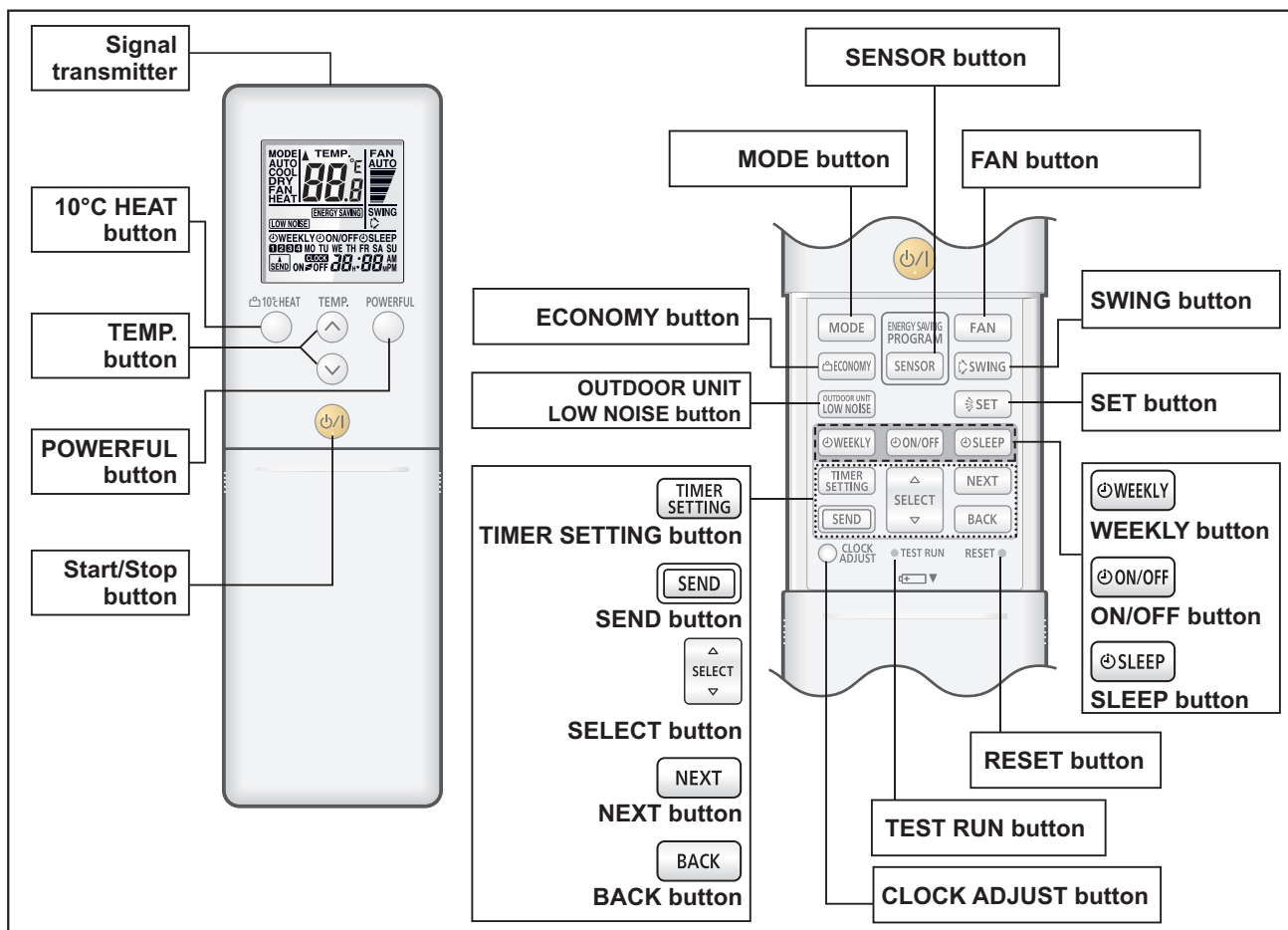
NOTE: Functions may differ by type of the indoor unit. For details, refer to the operation manual.

Display panel



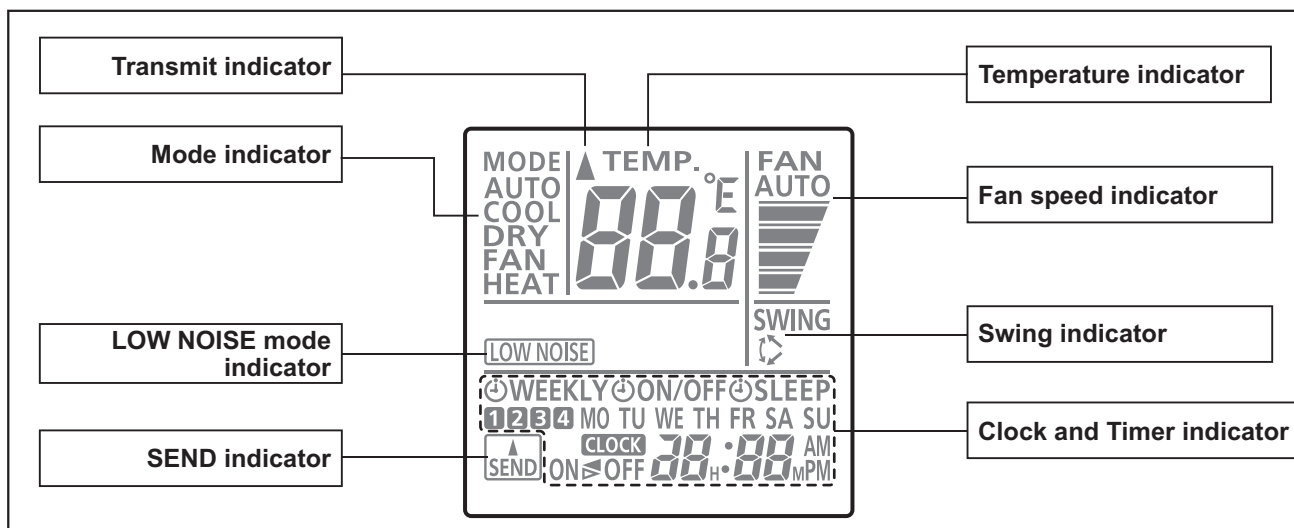
To facilitate explanation, the accompanying illustration has been drawn to show all possible indicators; in actual operation, however, the display will only show those indicators appropriate to the current operation.

• AR-REM4E



NOTE: Functions may differ by type of the indoor unit. For details, refer to the operation manual.

Display panel

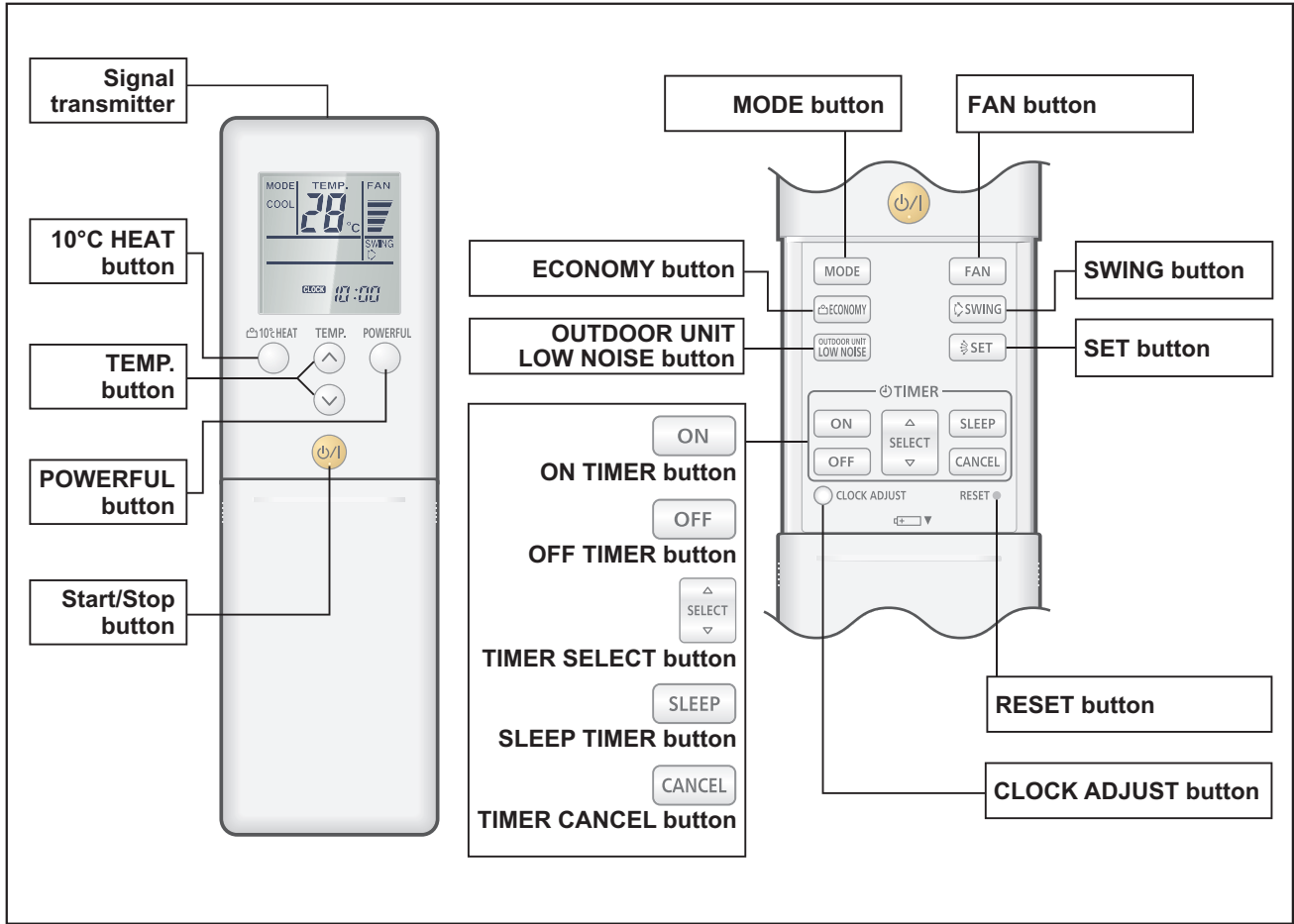


To facilitate explanation, the accompanying illustration has been drawn to show all possible indicators; in actual operation, however, the display will only show those indicators appropriate to the current operation.

• AR-REB1E

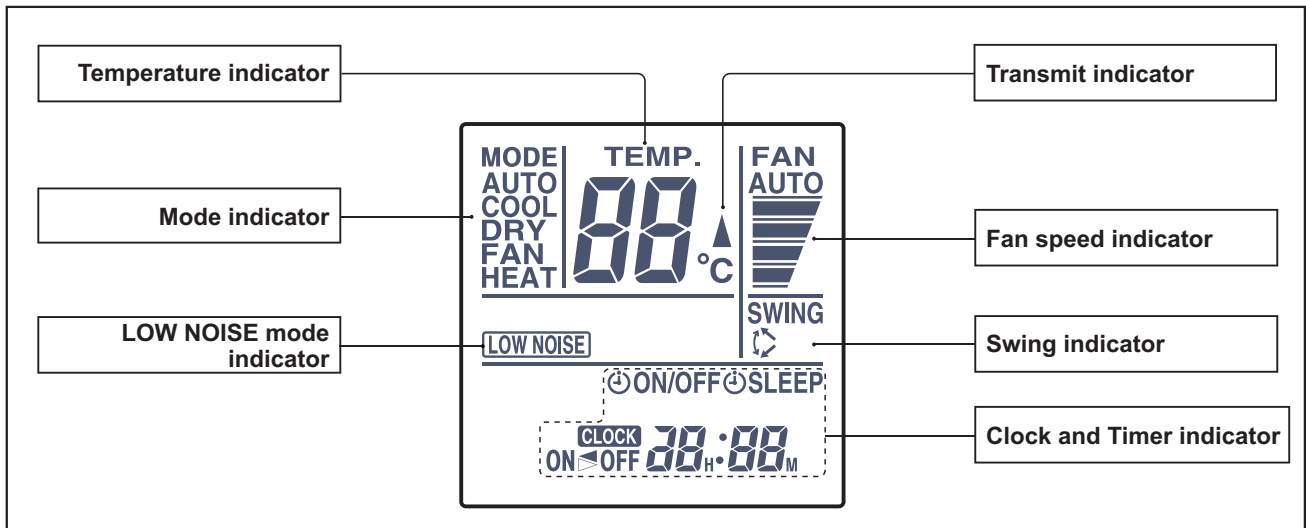
2-UNIT
MULTI-SPLIT TYPE

2-UNIT
MULTI-SPLIT TYPE



NOTE: Functions may differ by type of the indoor unit. For details, refer to the operation manual.

Display panel

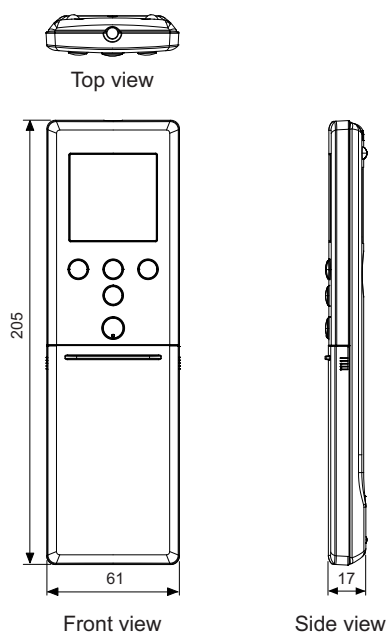


To facilitate explanation, the accompanying illustration has been drawn to show all possible indicators; in actual operation, however, the display will only show those indicators appropriate to the current operation.

■ Specifications

● Controller

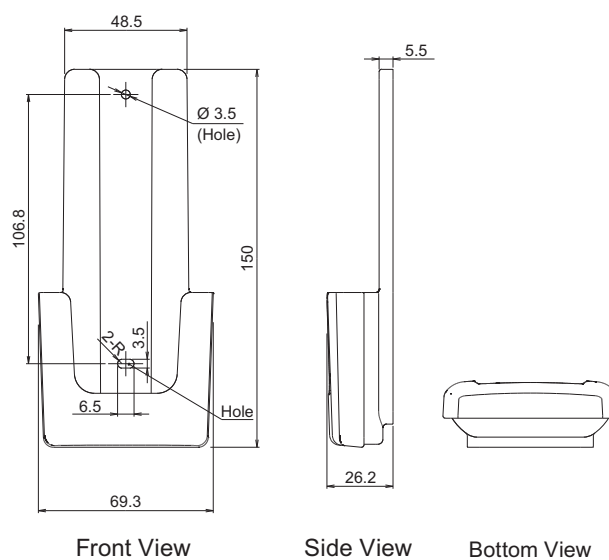
Unit: mm



| | | |
|------------------|----|-------------------------|
| Size (H × W × D) | mm | 205 × 61 × 17 |
| Weight | g | 124 (without batteries) |

● Holder

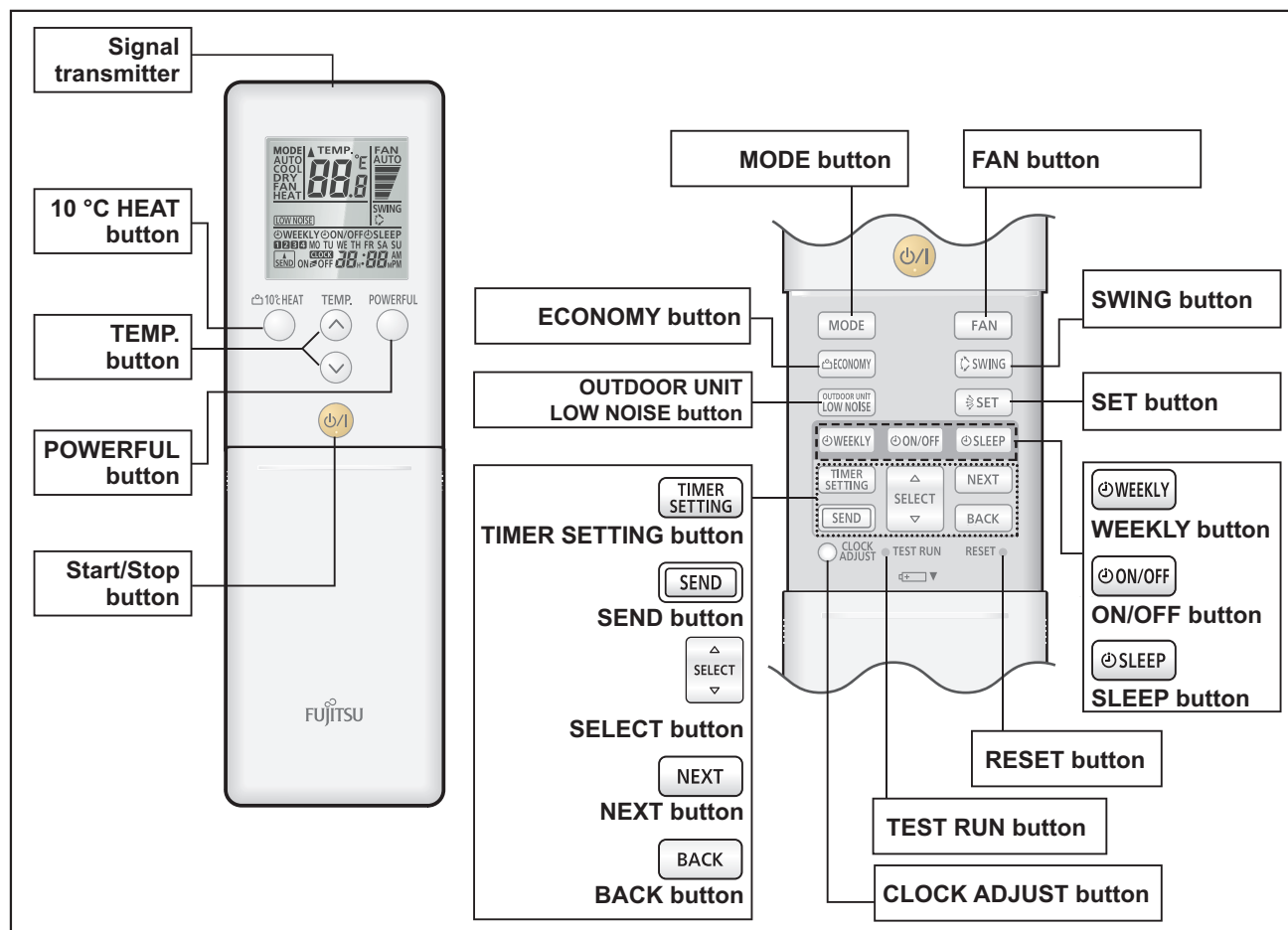
Unit: mm



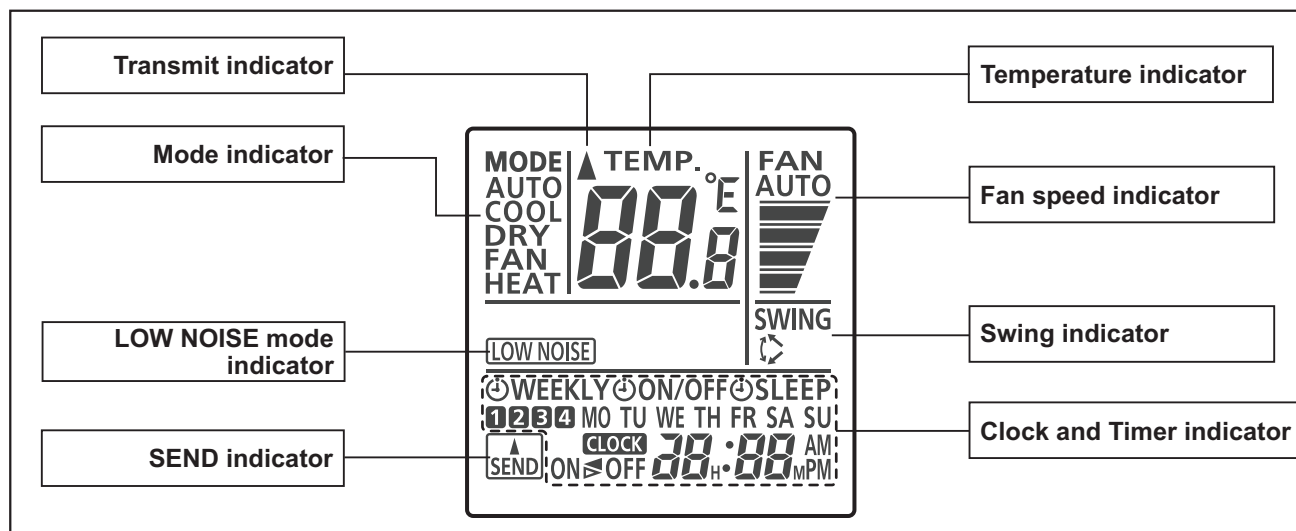
| | | |
|------------------|----|-------------------|
| Size (H × W × D) | mm | 150 × 69.3 × 26.2 |
| Weight | g | 27 |

13-2. Wireless remote controller (AR-REM7E)

Overview



NOTE: Functions may differ by type of the indoor unit. For details, refer to the operation manual.
Display panel

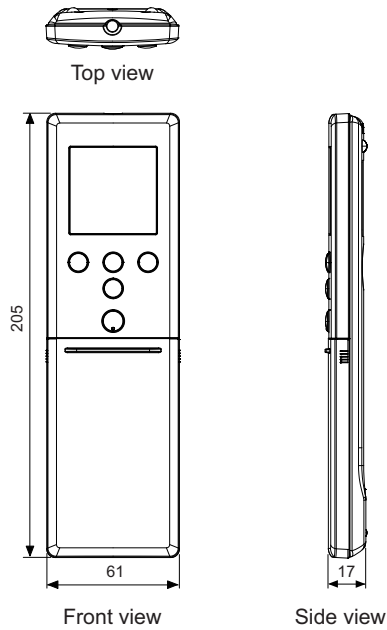


To facilitate explanation, the accompanying illustration has been drawn to show all possible indicators; in actual operation, however, the display will only show those indicators appropriate to the current operation.

■ Specifications

● Controller

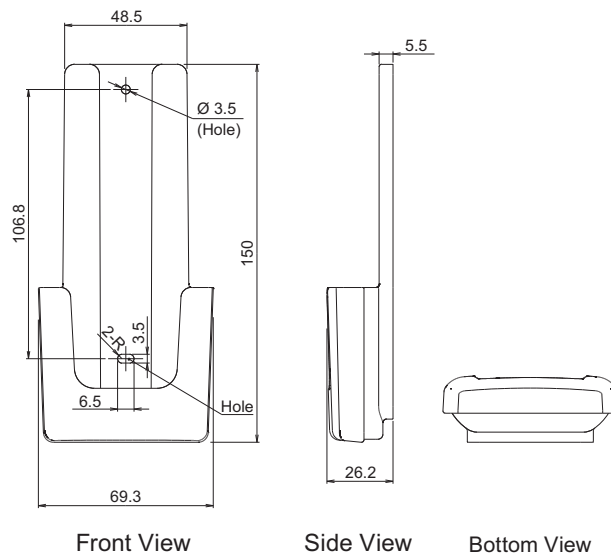
Unit: mm



| | | |
|------------------|----|-------------------------|
| Size (H × W × D) | mm | 205 × 61 × 17 |
| Weight | g | 124 (without batteries) |

● Holder

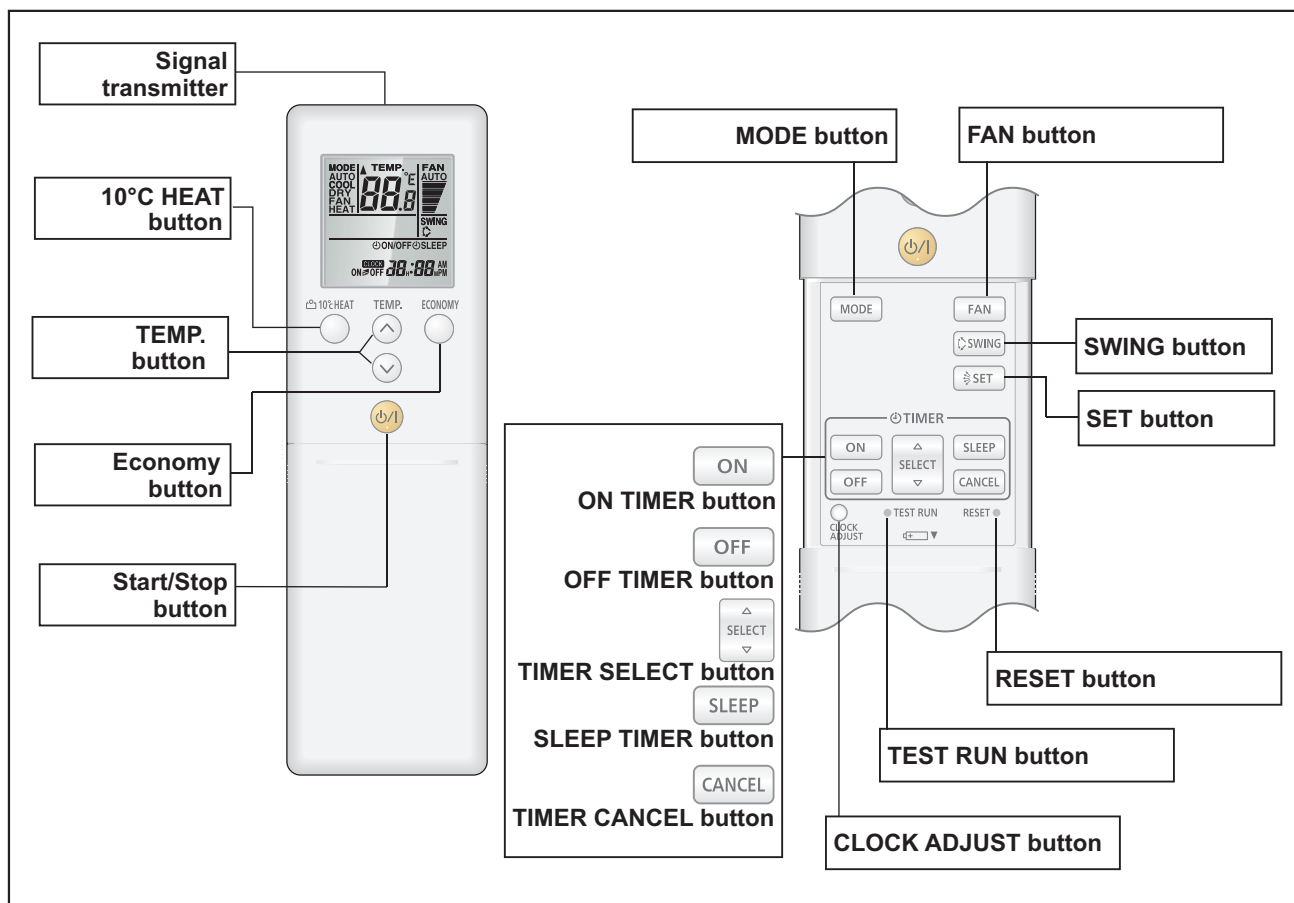
Unit: mm



| | | |
|------------------|----|-------------------|
| Size (H × W × D) | mm | 150 × 69.3 × 26.2 |
| Weight | g | 27 |

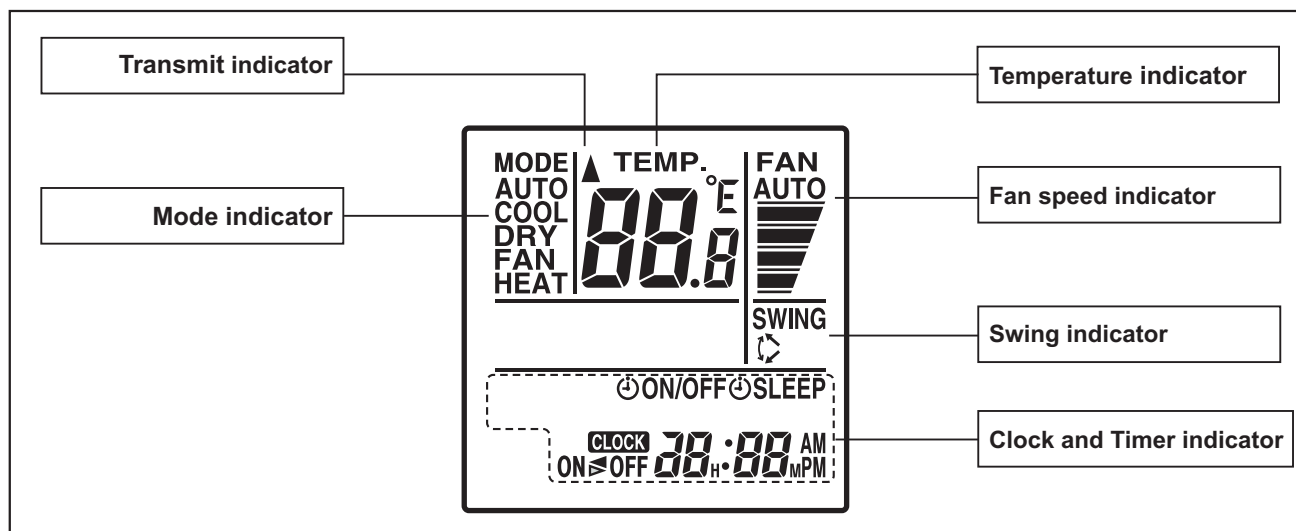
13-3. Wireless remote controller (UTY-LNTY: Optional part)

Overview



NOTE: Functions may differ by type of the indoor unit. For details, refer to the operation manual.

Display panel

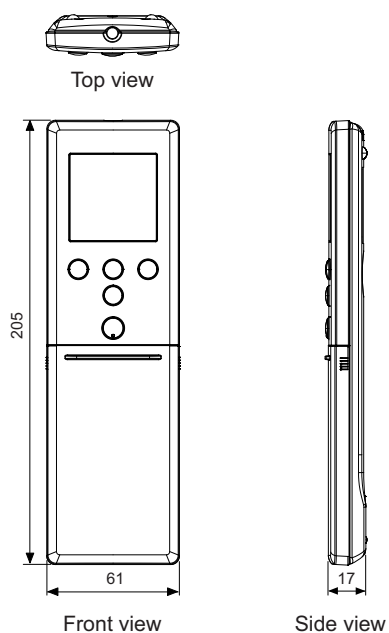


To facilitate explanation, the accompanying illustration has been drawn to show all possible indicators; in actual operation, however, the display will only show those indicators appropriate to the current operation.

■ Specifications

● Controller

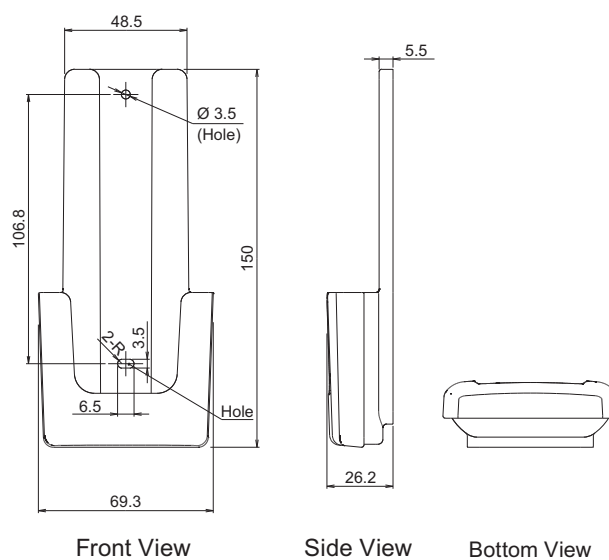
Unit: mm



| | | |
|------------------|----|-------------------------|
| Size (H × W × D) | mm | 205 × 61 × 17 |
| Weight | g | 124 (without batteries) |

● Holder

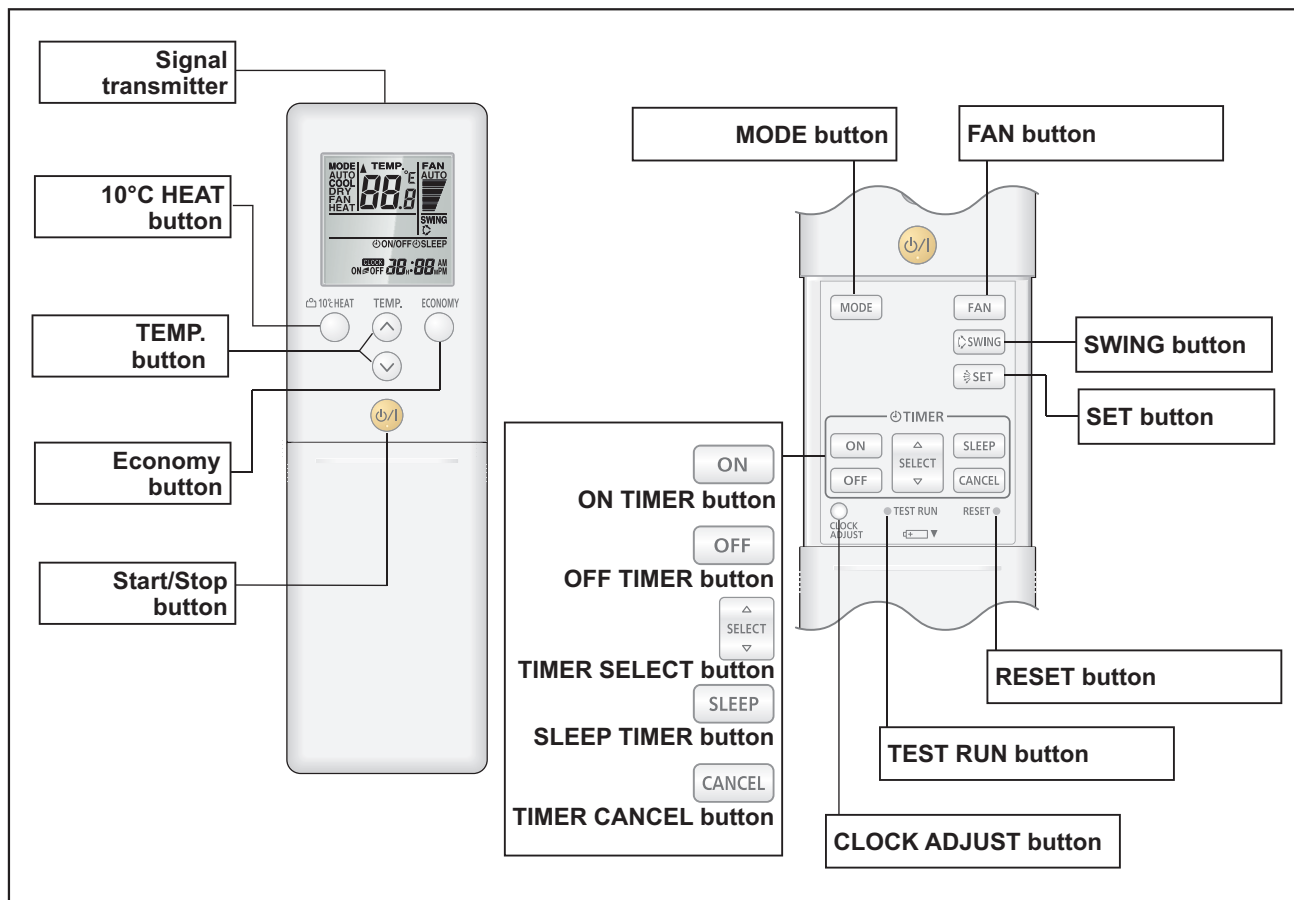
Unit: mm



| | | |
|------------------|----|-------------------|
| Size (H × W × D) | mm | 150 × 69.3 × 26.2 |
| Weight | g | 27 |

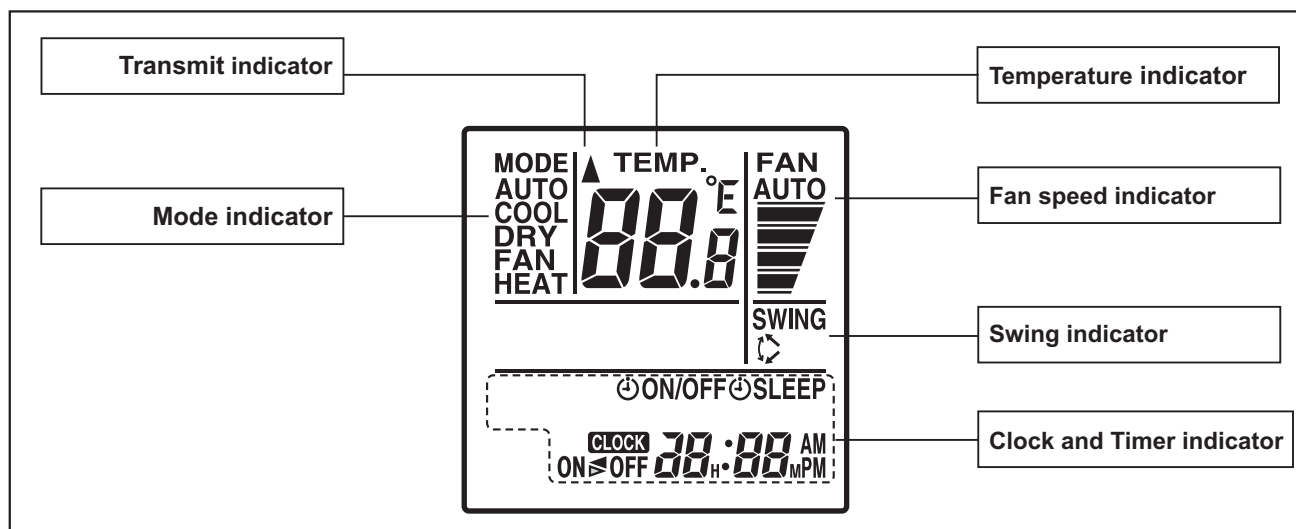
13-4. IR receiver kit with Wireless remote controller (UTY-LBTYM: Optional part)

Overview



NOTE: Functions may differ by type of the indoor unit. For details, refer to the operation manual.

Display panel

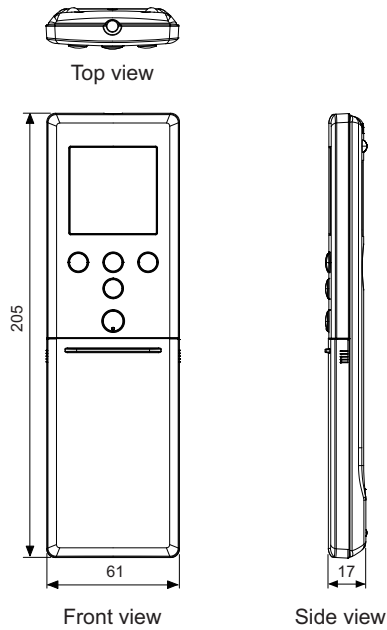


To facilitate explanation, the accompanying illustration has been drawn to show all possible indicators; in actual operation, however, the display will only show those indicators appropriate to the current operation.

Specifications

● Controller

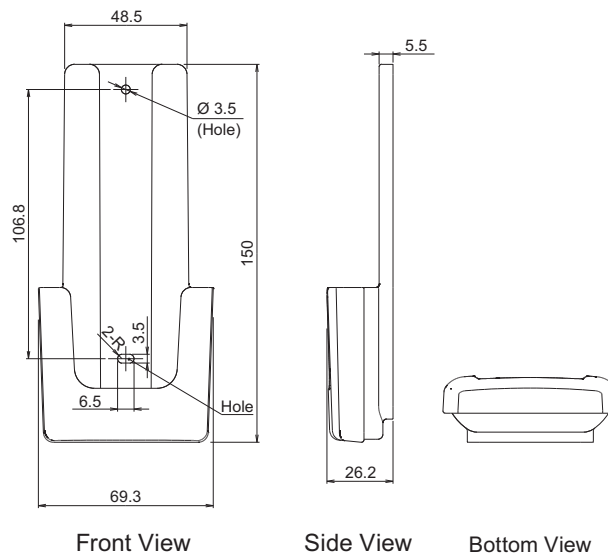
Unit: mm



| | | |
|------------------|----|-------------------------|
| Size (H × W × D) | mm | 205 × 61 × 17 |
| Weight | g | 124 (without batteries) |

● Holder

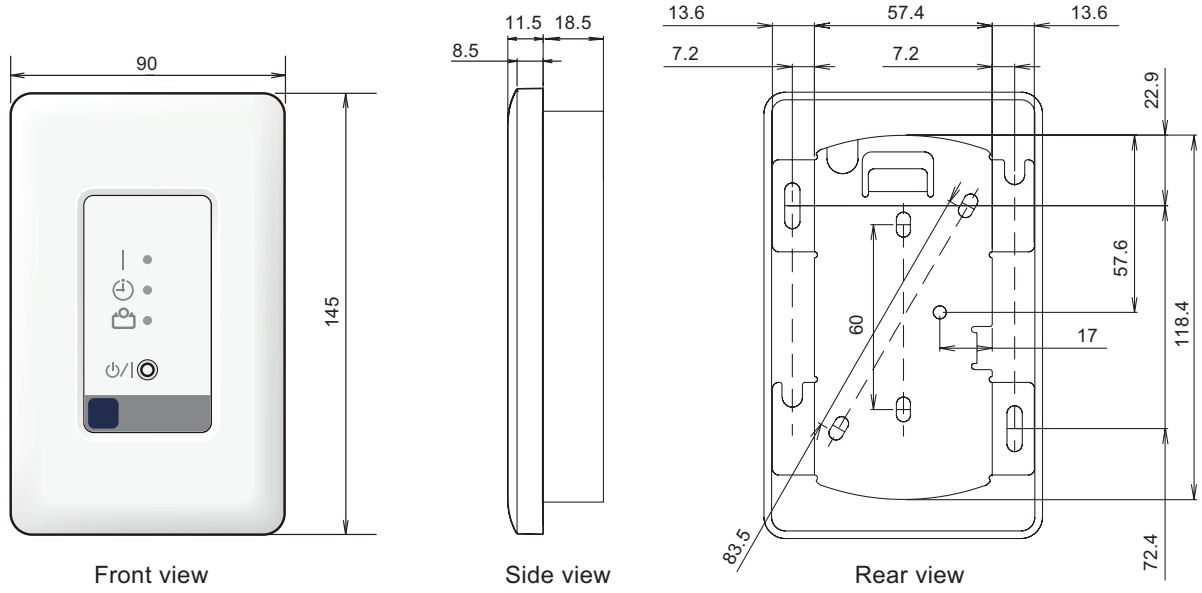
Unit: mm



| | | |
|------------------|----|-------------------|
| Size (H × W × D) | mm | 150 × 69.3 × 26.2 |
| Weight | g | 27 |

● IR receiver

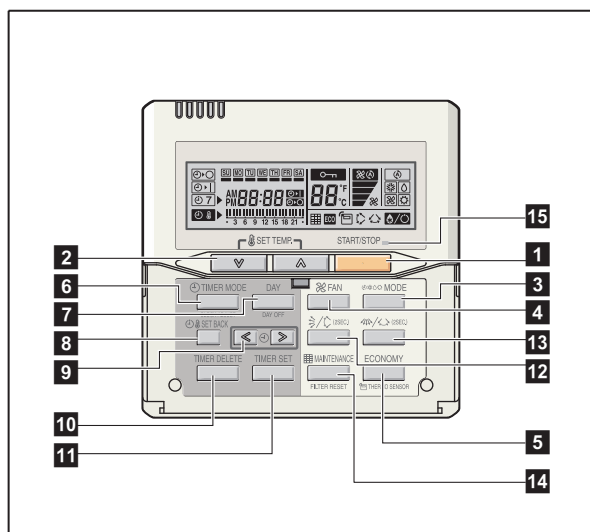
Unit: mm



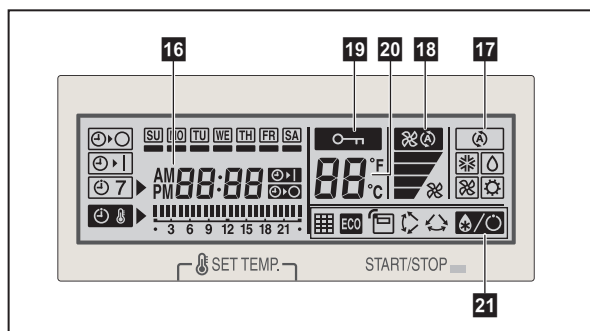
| | | |
|------------------|----|---------------|
| Size (H × W × D) | mm | 145 × 90 × 30 |
| Weight | g | 150 |

13-5. Wired remote controller (UTY-RNNYM: Optional part)










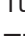






Overview



Display panel

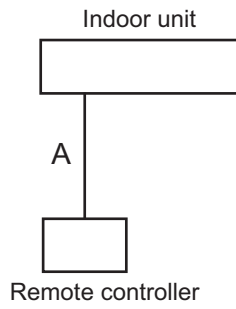


NOTE: Functions may differ by type of the indoor unit. For details, refer to the operation manual.

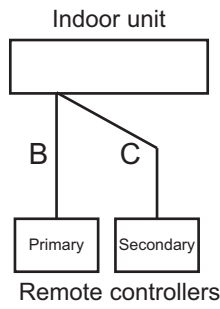
- 1 START/STOP button**
Starts and stops operation.
- 2 SET TEMP. button**
Selects the setting temperature.
- 3 MODE button**
Selects the operating mode (AUTO , HEAT , FAN , COOL , and DRY ).
- 4 FAN button**
Selects the fan speed AUTO , QUIET , LOW , MED , and HIGH .
- 5 ECONOMY (THERMO SENSOR) button**
Turns the economy-efficient mode on and off.
- 6 TIMER MODE (CLOCK ADJUST) button**
Selects the timer mode (off timer, on timer, and weekly timer). Sets the current time.
- 7 DAY (DAY OFF) button**
Temporarily cancels one day timer.
- 8 SET BACK button**
Selects the set back timer.
- 9 Set time button**
Pressed to set time.
- 10 TIMER DELETE button**
Deletes the weekly timer schedule.
- 11 TIMER SET button**
Sets the date, hour, minute, and on-off time.
- 12 Vertical airflow direction and swing button**
Push for 2 seconds to change the swing mode.
- 13 Horizontal airflow direction and swing button**
Push for 2 seconds to change the swing mode.
- 14 FILTER RESET button**
- 15 Operation lamp**
Lights during operation and when the timer is on.
- 16 Timer and clock indicator**
- 17 Operation mode indicator**
- 18 Fan speed indicator**
- 19 Operation lock indicator**
- 20 Temperature indicator**
- 21 Function indicators**
 -  Defrost indicator
 -  Thermo sensor indicator
 -  Economy indicator
 -  Vertical swing indicator
 -  Horizontal swing indicator
 -  Filter indicator

System diagram

1 remote controller:



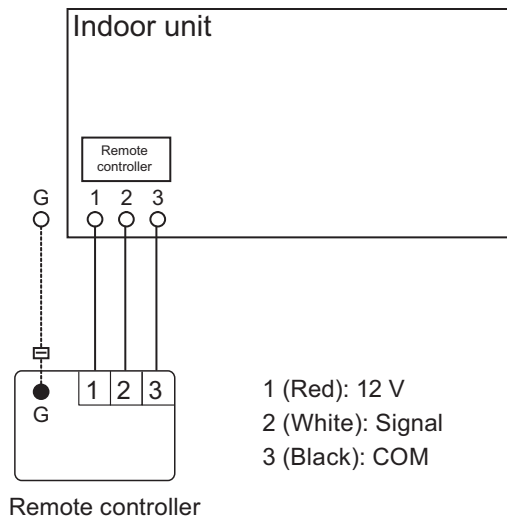
2 remote controllers:



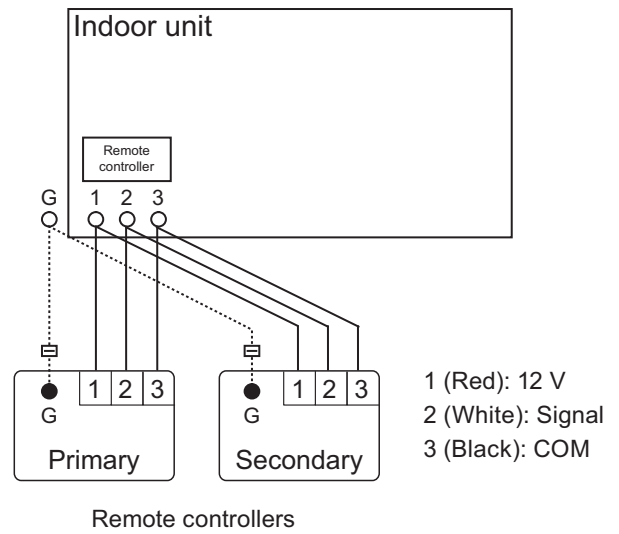
A, B, C: Remote controller cable
 $A \leq 500 \text{ m}; B + C \leq 500 \text{ m}$

Electrical wiring

1 remote controller:



2 remote controllers:



■ Specifications

Dimensions and other specifications on the wired remote controller are as follows.

| | | Unit: mm |
|--------------------------|----|----------------|
| | | |
| Size (H × W × D) | mm | 120 × 120 × 18 |
| Weight | g | 160 |
| Cable length (accessory) | m | 10 |
| Power | V | 12 |

● Wiring specifications

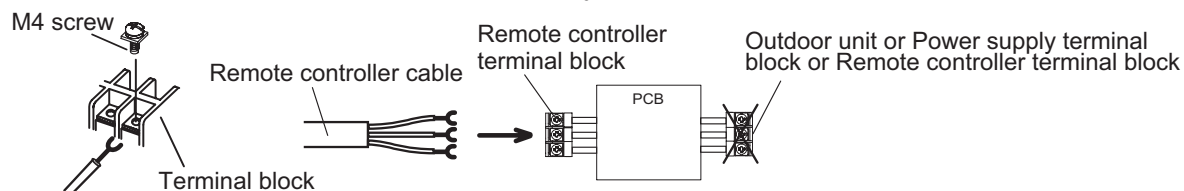
| Use | Cable size | Wire type | Remarks |
|-------------------------|-------------------------------|--------------|-------------------------|
| Remote controller cable | 0.33 mm ² (22 AWG) | Polar 3-core | Use sheathed PVC cable. |

■ Installation

Connection pattern of wired remote controller varies by the type of the connected indoor unit.

● When connecting to terminal block (for Compact cassette, Slim duct, and Mini duct types)

Connect the end of remote controller cable directly to the exclusive terminal block.

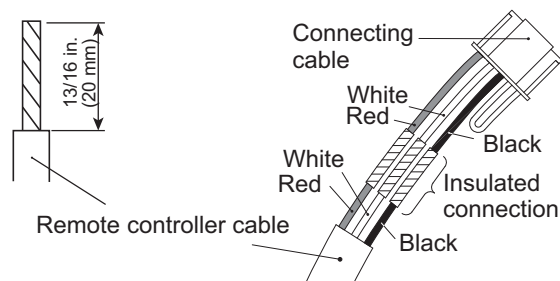


NOTE: It may be failed if it is connected to the outdoor unit or the terminal block for power supply.

● When connecting to Communication kit (for KM models in Wall mounted type)

When connecting the remote controller to optional Communication kit, follow the procedures mentioned below.

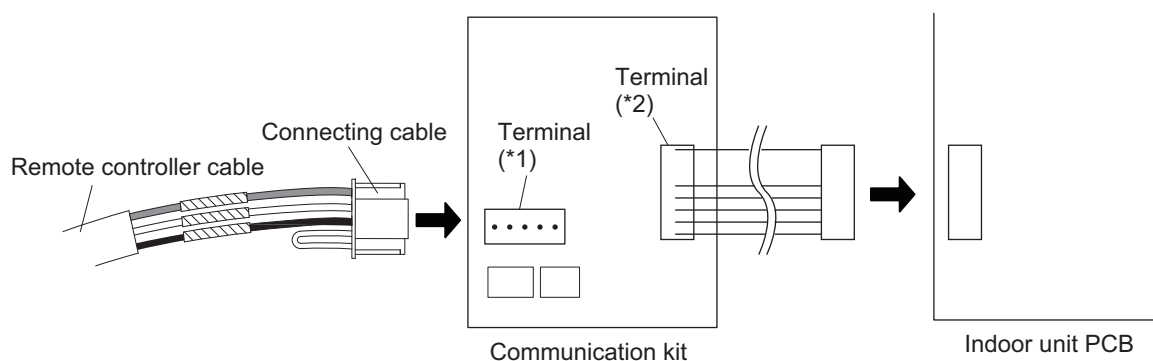
1. Modify the remote controller cable as follows:
 - Use a tool to cut off the terminal on the end of the remote controller cable and then remove the insulation from the cut end of the cable as shown in following figure.
 - Connect the remote controller cable and connecting cable as shown in following figure.
 - Be sure to insulate the connection between the cables.



2. Connect the remote controller cable.
 - Connect the cable made in step 1. to the terminal*1 of optional Communication kit.
 - Connect the cable from the terminal*2 of Communication kit to the indoor unit PCB.

*1: CNC01 on UTY-TWBXF2

*2: CND01 on UTY-TWBXF2



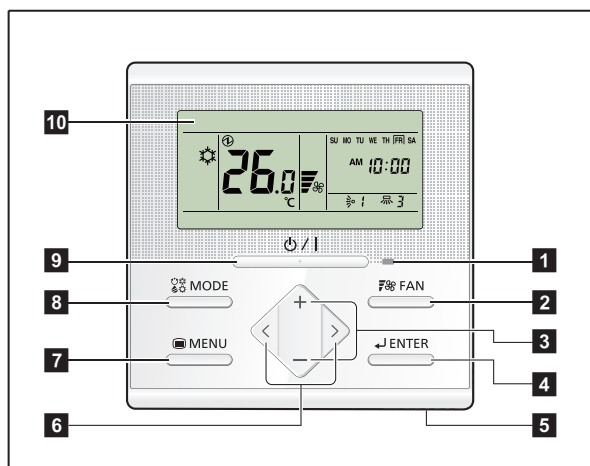
■ Required optional parts

Required optional parts for connecting the wired remote controller to the wall mounted type are as follows.

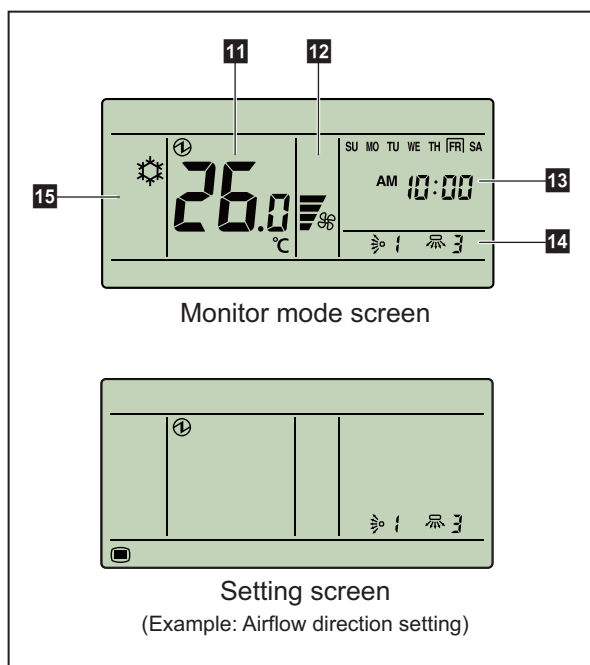
| Part name | Model name |
|----------------------|------------|
| External connect kit | UTY-TWBXF2 |
| Communication kit | UTY-XWZXZ5 |

13-6. Wired remote controller (UTY-RLRY: Optional part)

Overview



Display panel



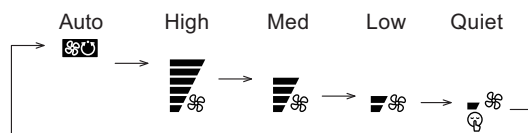
NOTE: For individual icons in Setting screen and related functions, refer to the operation manual.

1 LED lamp (Operation indicator)

Lights while the indoor unit is operating. Blinks when an error occurred.

2 FAN button

Each time the button is pressed, fan speed switches as follows:



3 +, - buttons (Set temperature buttons)

Used to adjust temperature in Monitor mode screen.

+ button: Raise

- button: Lower

In Setting screen, used to select the setting items.

NOTE: When the operation mode is set to FAN, the temperature cannot be adjusted.

4 ENTER button

Used to enter setting items and settings.

5 Room temperature sensor (inside)

Senses ambient temperature of unit.

6 <, > buttons

Used to select setting items during the setting item selection screen is displayed.

7 MENU button

Used to display the setting item selection screen.

8 MODE button

Each time the button is pressed, operation mode switches as follows:



9 On/Off button

Starts or stops the operation.

NOTE: On/Off button cannot be operated at screens other than the Monitor mode screen.

10 Display panel

Displays Monitor mode screen or Setting screen. Monitor mode screen is home screen of this controller, and the basic operation is performed in this screen. In Setting screen, several settings are adjustable.

11 Temperature indicator

12 Fan speed indicator

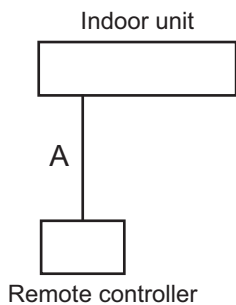
13 Clock indicator

14 Airflow direction indicator

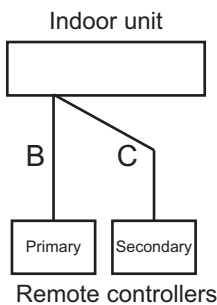
15 Operation mode indicator

System diagram

1 remote controller:



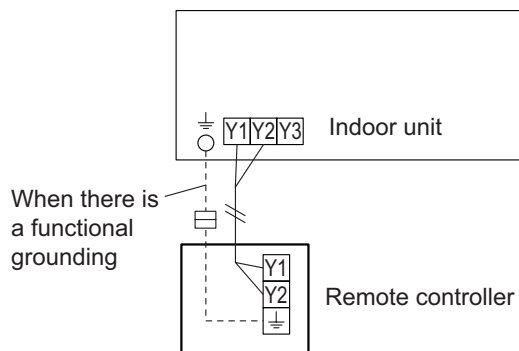
2 remote controllers:



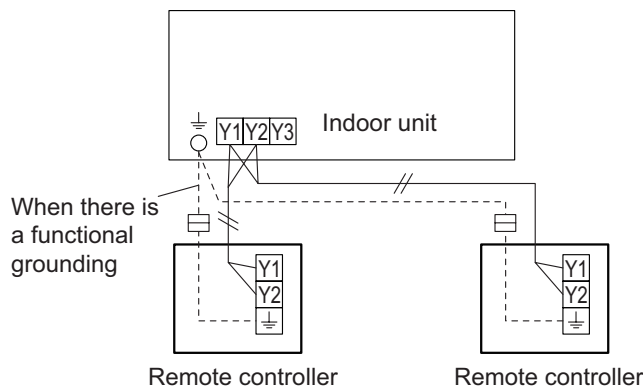
A, B, C: Remote controller cable
 $A \leq 500 \text{ m}; B + C \leq 500 \text{ m}$

Electrical wiring

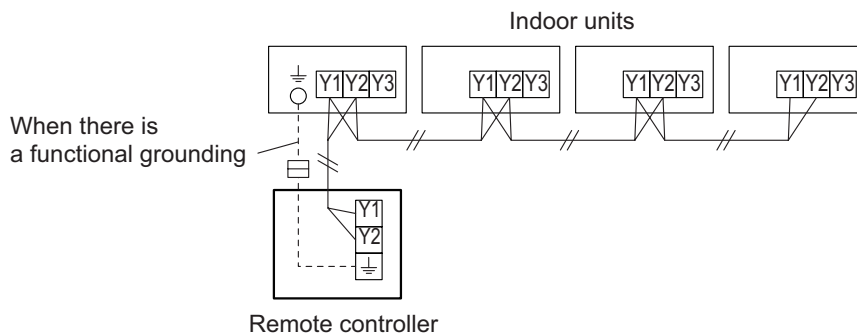
1 remote controller:



2 remote controllers:



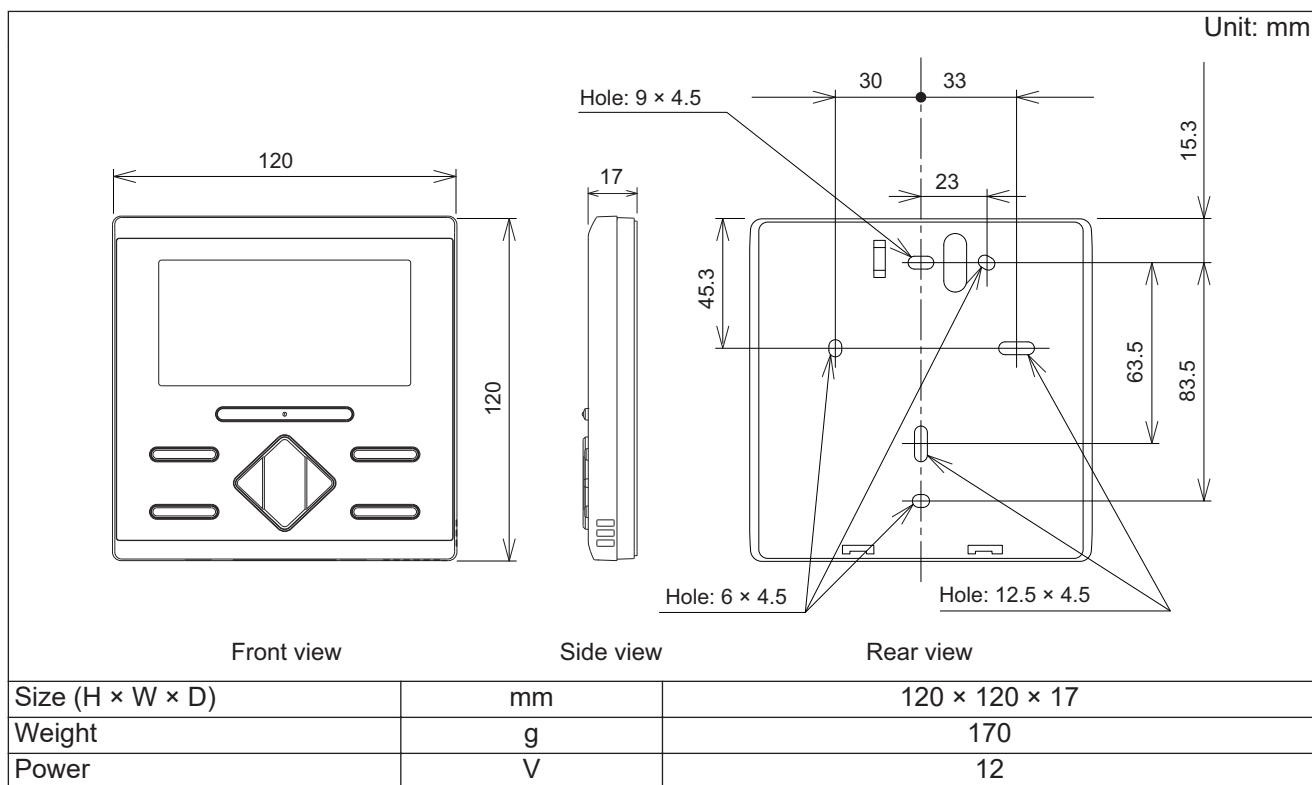
Group control:



NOTE: Group connection with Polar 3-wired remote controller is not allowed.

■ Specifications

Dimensions and other specifications on the wired remote controller are as follows.

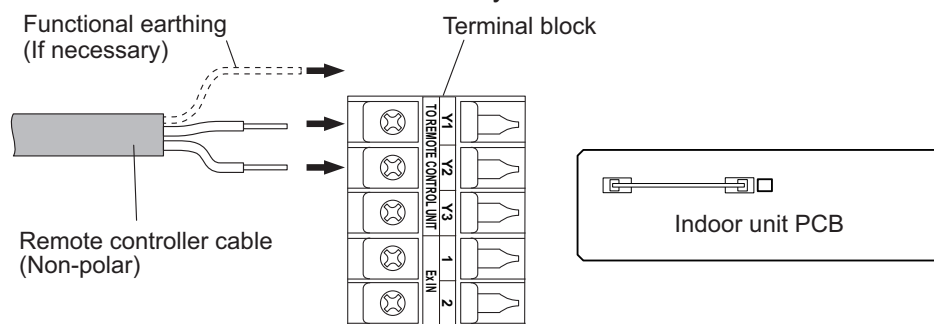


● Wiring specifications

| Use | Cable size | Wire type | Remarks |
|-------------------------|------------------------------|-----------------------------------|-------------------------|
| Remote controller cable | 0.33 to 1.25 mm ² | Non-polar 2-core, Twisted pair | Use sheathed PVC cable. |

■ Installation

Connect the end of remote controller cable directly to the exclusive terminal block.

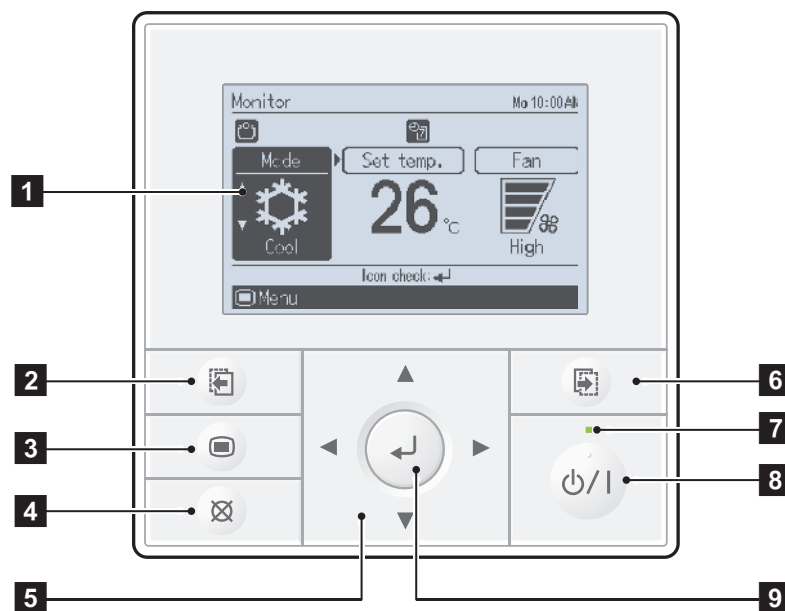


NOTES:

- Layout of terminal block and PCB is varies depending on the type of indoor unit.
- Operation may fail if it is connected to the outdoor unit or the terminal block for power supply.

13-7. Wired remote controller (UTY-RVNYM: Optional part)

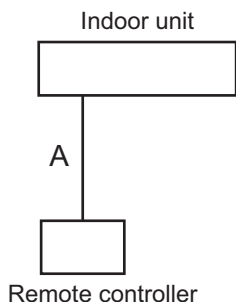
■ Overview



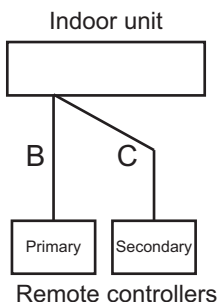
- 1** Display panel (with backlight)
- 2** Screen switch button (Left)
- 3** Menu button
- 4** Cancel button
- 5** Cursor button
- 6** Screen switch button (Right)
- 7** Power indicator
- 8** On/off button
- 9** Enter button

System diagram

1 remote controller:



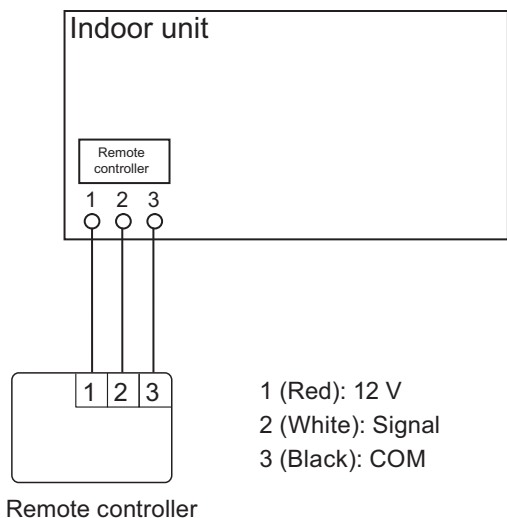
2 remote controllers:



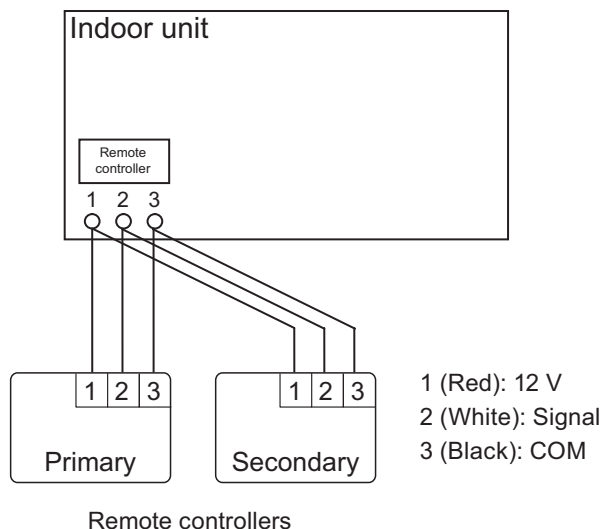
A, B, C: Remote controller cable
 $A \leq 500 \text{ m}$; $B + C \leq 500 \text{ m}$

Electrical wiring

1 remote controller:



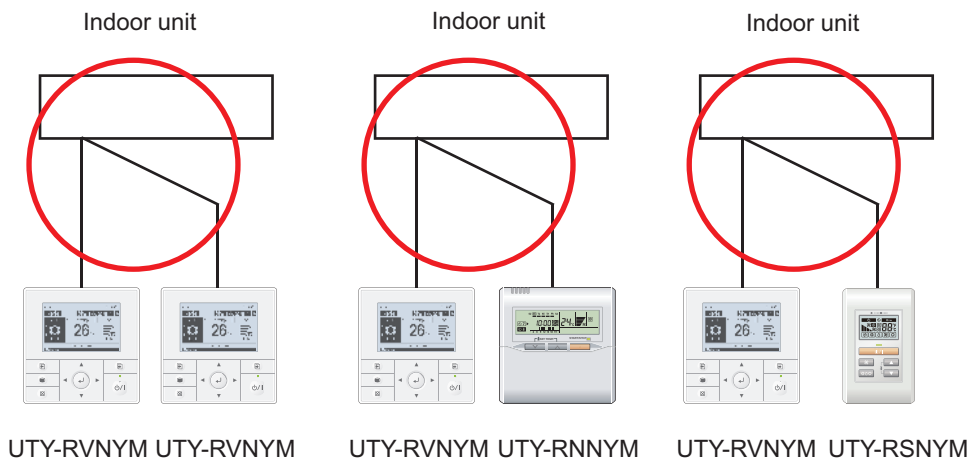
2 remote controllers:



Controller combination

As for the combined usage of the controller, refer to following figures.

● Good



■ Specifications

Unit: mm

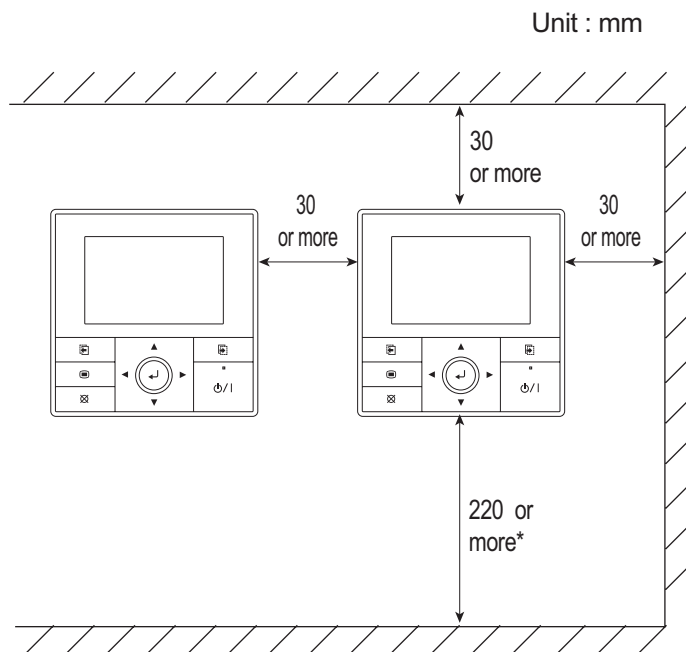
| | | |
|------------------|----|------------------|
| Size (H × W × D) | mm | 120 × 120 × 21.3 |
| Weight | g | 220 |

● Wiring specifications

| Use | Cable size | Wire type | Remarks |
|-------------------------|----------------------|--------------|-------------------------|
| Remote controller cable | 0.33 mm ² | Polar 3 core | Use sheathed PVC cable. |

■ Installation (Remote control main unit)

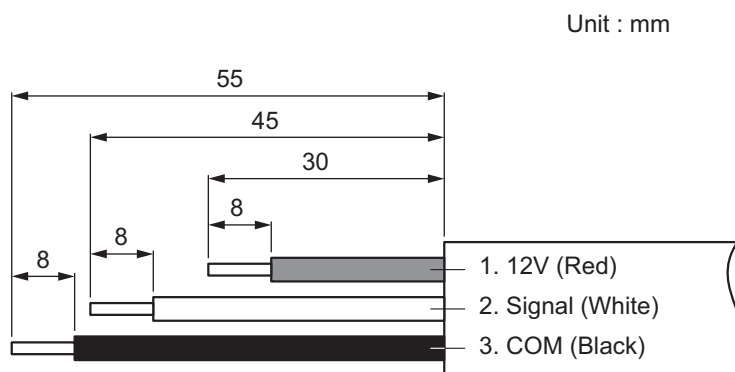
Installation space:



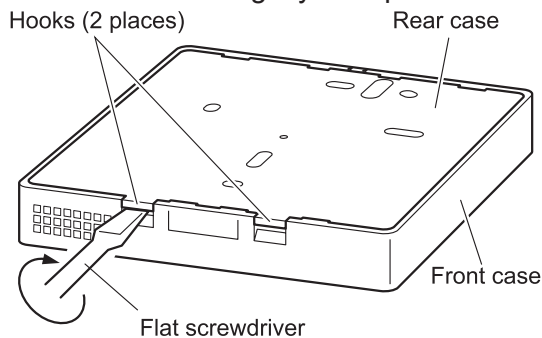
NOTE: Secure enough space where a flat-blade screwdriver to remove the case can be inserted.

Installation procedures:

1. Process the remote controller cable.



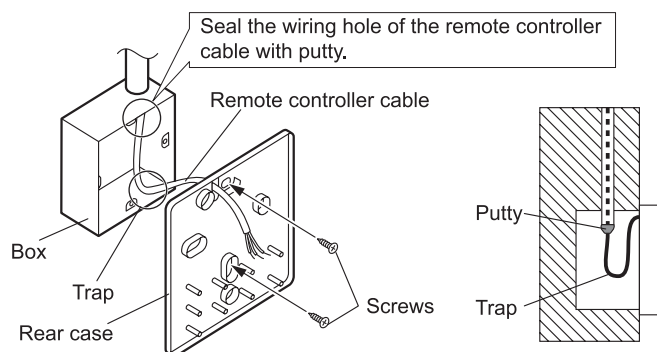
2. Insert the flat-blade screwdriver and twist it slightly to separate the front case and rear case.



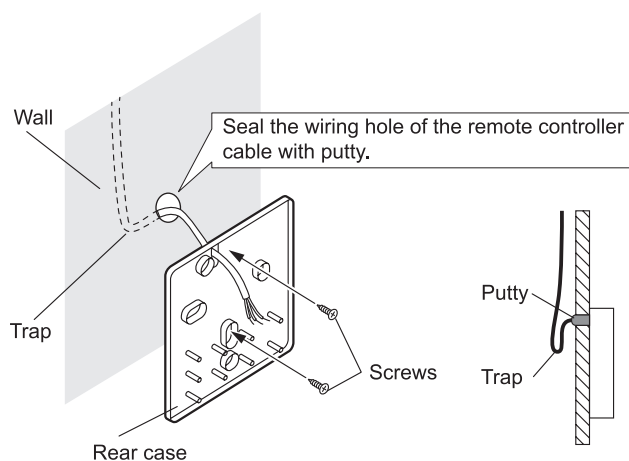
3. Attach the remote controller.

• **When attaching to switch box:**

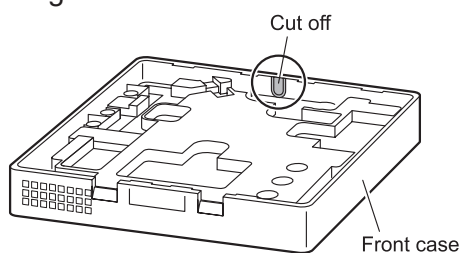
- Seal the wiring hole of the remote controller cable.
- Put a remote controller cable through the hole of the rear case.
- Fix the rear case by securing it with attached screws (2 places).

• **When attaching to the wall directly:**

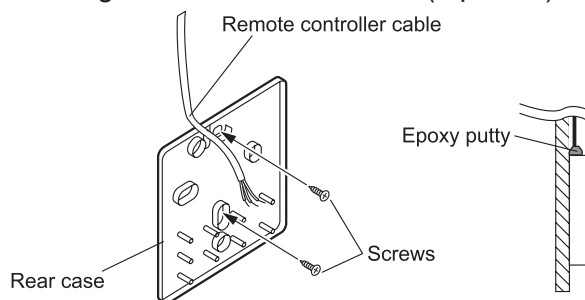
- Seal the wiring hole of the remote controller cable.
- Put a remote controller cable through the back hole of the rear case of the main body.
- Fix the rear case by securing it with attached screws (2 places).

• **When routing the cable on-wall:**

- Cut off the cable guide of the front case with using a knife or a nipper.
- Deburr the edge of the cable guide.

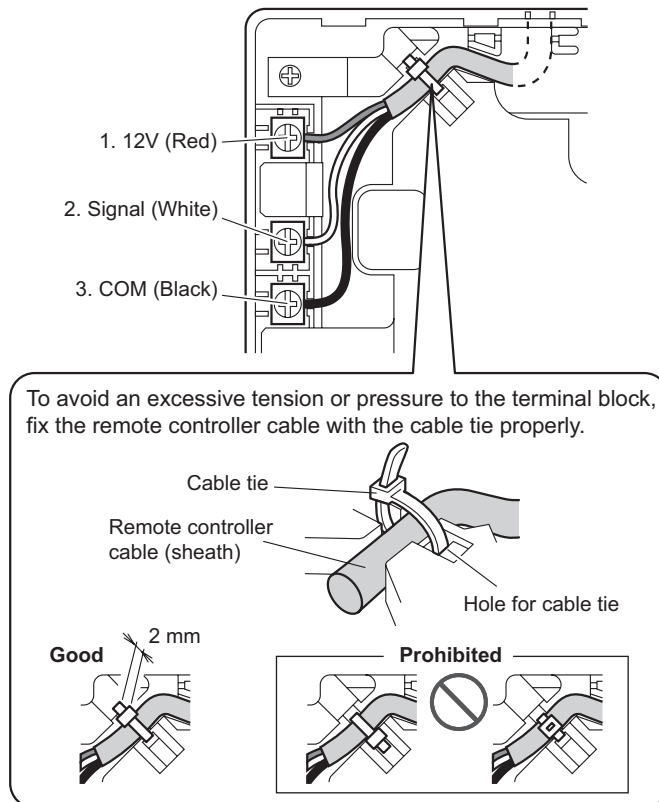


- Fix the rear case by securing it with attached screws (2 places).



4. Connect the cable to the terminals on the front case.
Fix the cable together with the sheath with the cable tie. Cut off the excess cable tie.

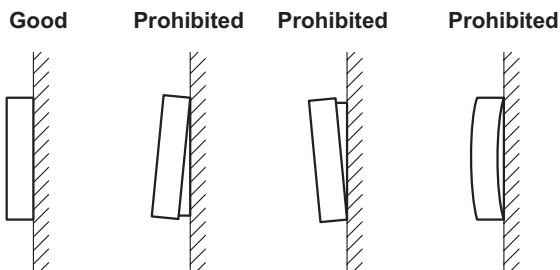
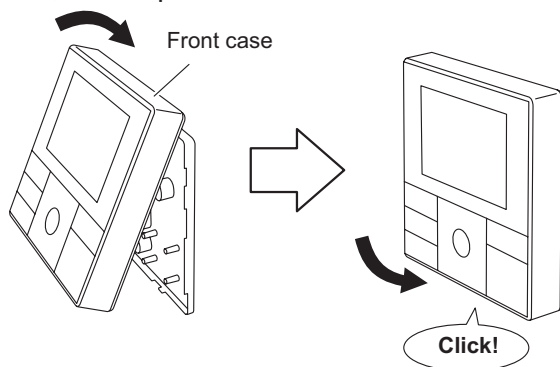
| Tightening torque | |
|-------------------|----------------|
| Terminal screw | 0.8 to 1.2 N•m |



⚠ CAUTION

- Be careful to avoid breaking the cable by over-tightening the cable tie.
- When connecting the remote controller cables, do not over-tighten the screws.

5. Attach the front case.
 - Insert after adjusting upper part of front case.
 - When insert the front case, do not pinch the cable.



⚠ CAUTION

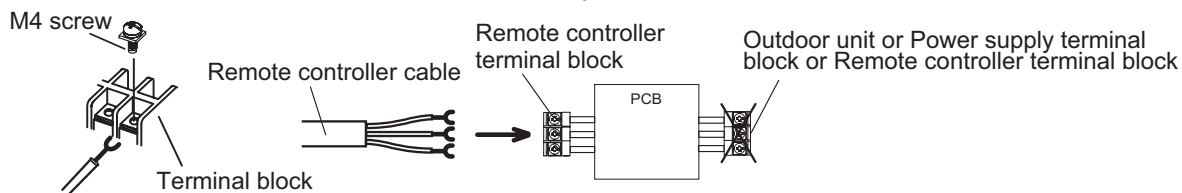
Insert the upper case firmly. If improperly attached, it will cause the upper case to fall off.

■ Installation

Connection pattern of wired remote controller varies by the type of the connected indoor unit.

● When connecting to terminal block (for Compact cassette, Slim duct, and Mini duct types)

Connect the end of remote controller cable directly to the exclusive terminal block.

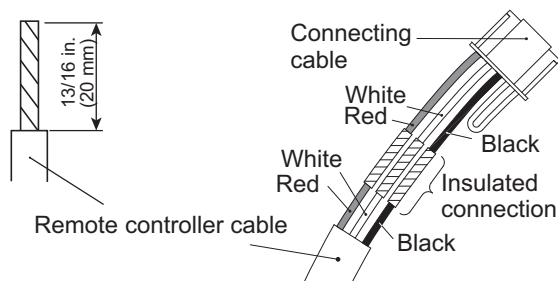


NOTE: It may be failed if it is connected to the outdoor unit or the terminal block for power supply.

● When connecting to Communication kit (for KM models in Wall mounted type)

When connecting the remote controller to optional Communication kit, follow the procedures mentioned below.

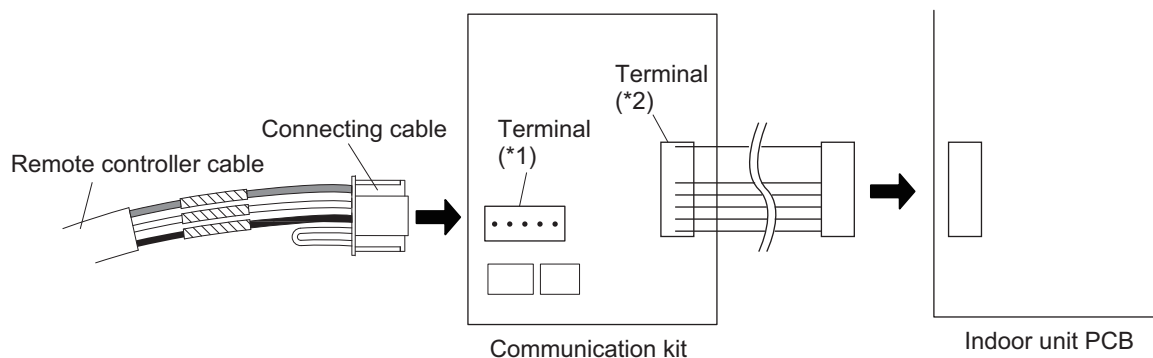
1. Modify the remote controller cable as follows:
 - Use a tool to cut off the terminal on the end of the remote controller cable and then remove the insulation from the cut end of the cable as shown in following figure.
 - Connect the remote controller cable and connecting cable as shown in following figure.
 - Be sure to insulate the connection between the cables.



2. Connect the remote controller cable.
 - Connect the cable made in step 1. to the terminal*1 of optional Communication kit.
 - Connect the cable from the terminal*2 of Communication kit to the indoor unit PCB.

*1: CNC01 on UTY-TWBXF2

*2: CND01 on UTY-TWBXF2



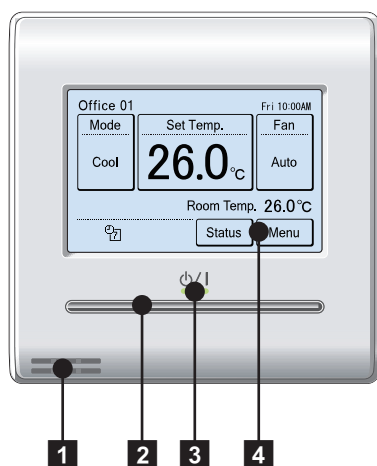
■ Required optional parts

Required optional parts for connecting the wired remote controller to the wall mounted type are as follows.

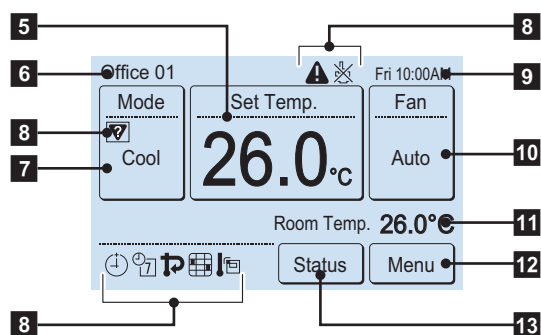
| Part name | Model name |
|----------------------|------------|
| External connect kit | UTY-TWBXF2 |
| Communication kit | UTY-XWZXZ5 |

13-8. Wired remote controller (UTY-RNRYZ*: Optional part)

Overview



Display panel

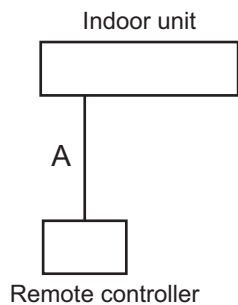


- 1 Remote temperature sensor (inside)**
- 2 On/off button**
Operable only while displaying the "Monitor mode" screen.
- 3 LED lamp (operation indicator)**
- 4 Touch panel display**
- 5 Set temperature**
Operating temperature can be set.
- 6 Remote controller group name**
- 7 Mode**
Operation mode can be set.
- 8 Status icons**
- 9 Clock**
- 10 Fan**
Fan speed can be set.
- 11 Room temperature**
- 12 Menu**
Various settings can be set.
- 13 Status**
Status of the indoor unit and error can be checked.

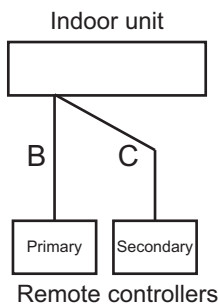
NOTE: Functions may differ by type of the indoor unit. For details, refer to the operation manual.

System diagram

1 remote controller:



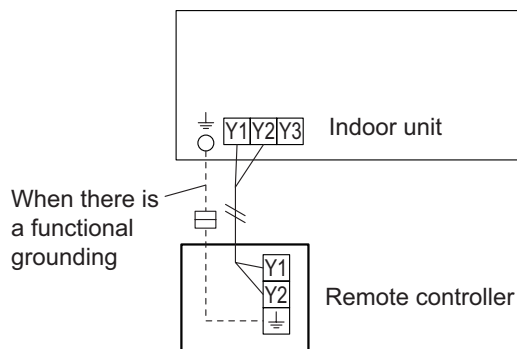
2 remote controllers:



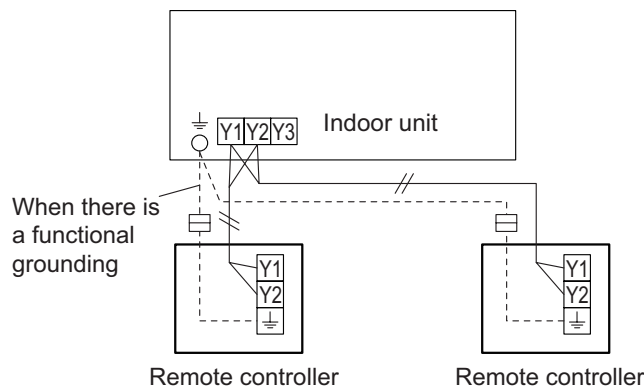
A, B, C: Remote controller cable
 $A \leq 500 \text{ m}; B + C \leq 500 \text{ m}$

Electrical wiring

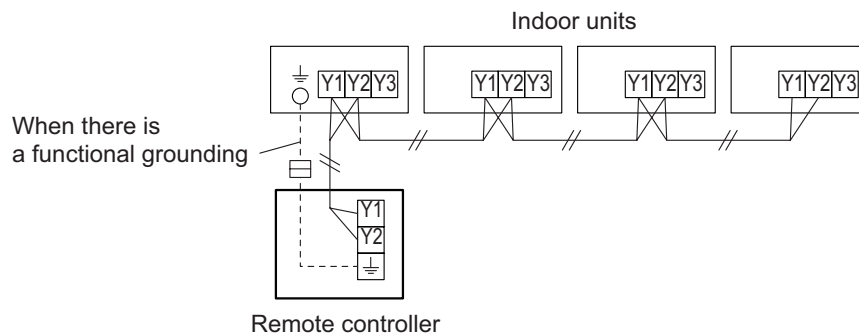
1 remote controller:



2 remote controllers:



Group control:

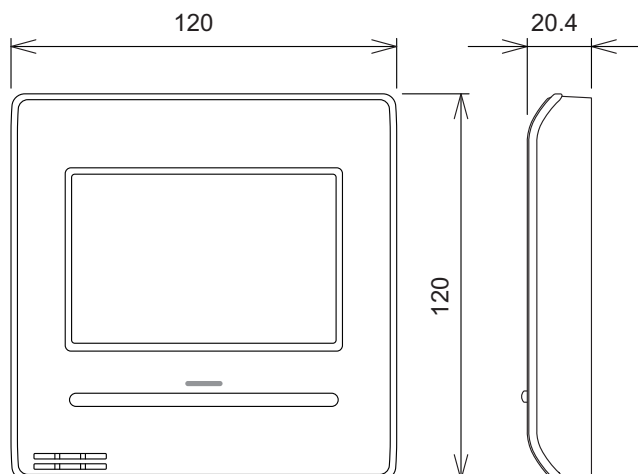


NOTE: Group connection with Polar 3-wired remote controller is not allowed.

■ Specifications

Dimensions and other specifications on the wired remote controller are as follows.

[Unit : mm]



| | |
|------------|------------|
| Model name | UTY-RNRYZ* |
|------------|------------|

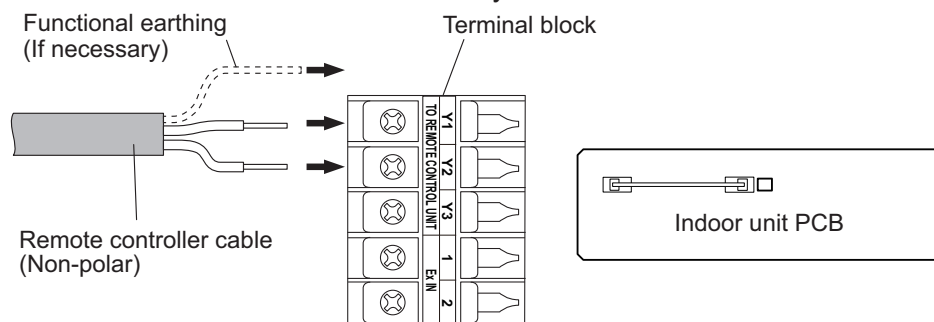
| | | |
|---------------------------|---|----------------------------|
| Display | 3.8-inch FSTN LCD (255 × 160 dots) with touch panel | |
| Dimensions (H × W × D) | mm | 120 × 120 × 20.4 |
| Weight | g | 220 |
| Input voltage | V | DC 12 |
| Power consumption | W | Max. 0.3 |
| Usage temperature range | °C | 0 to 40 |
| Usage humidity range | % | 20 to 90 (no condensation) |
| Storage temperature range | °C | -10 to 60 |
| Storage humidity range | % | 20 to 90 (no condensation) |

● Wiring specifications

| Use | Cable size | Wire type | Remarks |
|-------------------------|------------------------------|-----------------------------------|-------------------------|
| Remote controller cable | 0.33 to 1.25 mm ² | Non-polar 2-core, Twisted pair | Use sheathed PVC cable. |

■ Installation

Connect the end of remote controller cable directly to the exclusive terminal block.

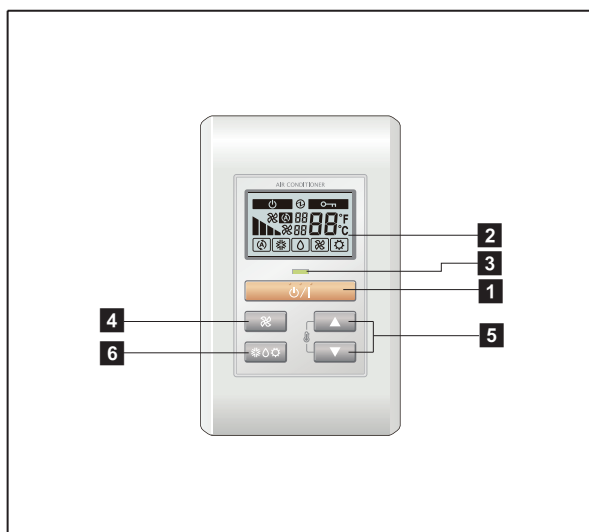


NOTES:

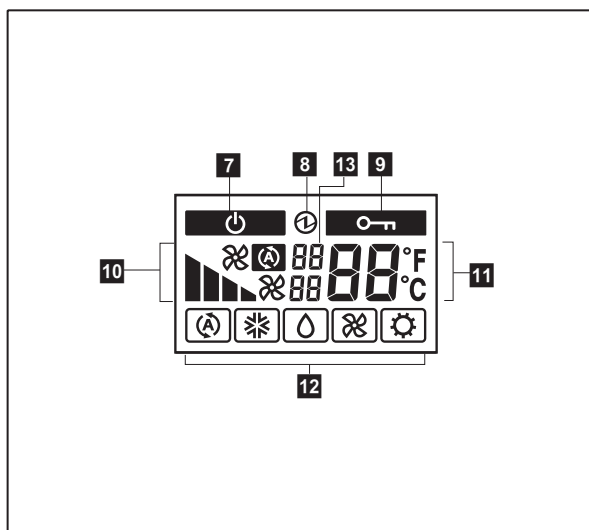
- Layout of terminal block and PCB is varies depending on the type of indoor unit.
- Operation may fail if it is connected to the outdoor unit or the terminal block for power supply.

13-9. Simple remote controller (UTY-RSNYM: Optional part)

Overview



Display panel



1 START/STOP button

Starts and stops operation.






2 Display backlight button

Lights during operation.

3 Operation lamp

Lights during operation.






4 FAN button

Selects the fan speed (AUTO , HIGH , MED , LOW , and QUIET .

5 SET TEMP. button

Selects the setting temperature.

6 MODE button

Selects the operating mode (AUTO , COOL , DRY , FAN , HEAT .

7 Standby indicator

Indicates during the oil recovery and defrosting operation.

8 Power source indicator

Indicates the main power is on.

9 Central control indicator

Indicates when function is locked.

10 Fan speed indicator

Deletes the weekly timer schedule.

11 Set temperature

- Indicates error history number in error code history display mode.
- Indicates indoor unit address in address display mode.

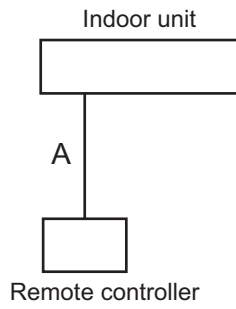
12 Operating mode indicator

13 Indicator

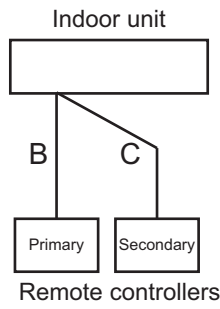
- Upper:
 - Indicates the error code in error code history display mode and in self diagnosis mode.
 - Indicates the refrigerant system address in address display mode.
- Lower: Indicates the remote controller address in error code history display mode, address display mode, and self diagnosis mode.

System diagram

1 remote controller:



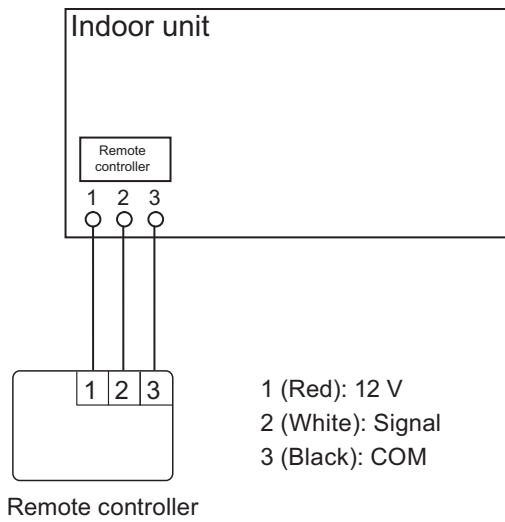
2 remote controllers:



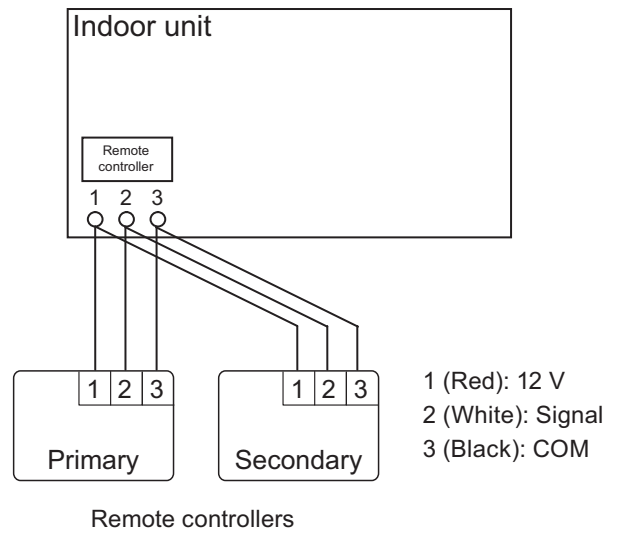
A, B, C: Remote controller cable
 $A \leq 500 \text{ m}; B + C \leq 500 \text{ m}$

Electrical wiring

1 remote controller:

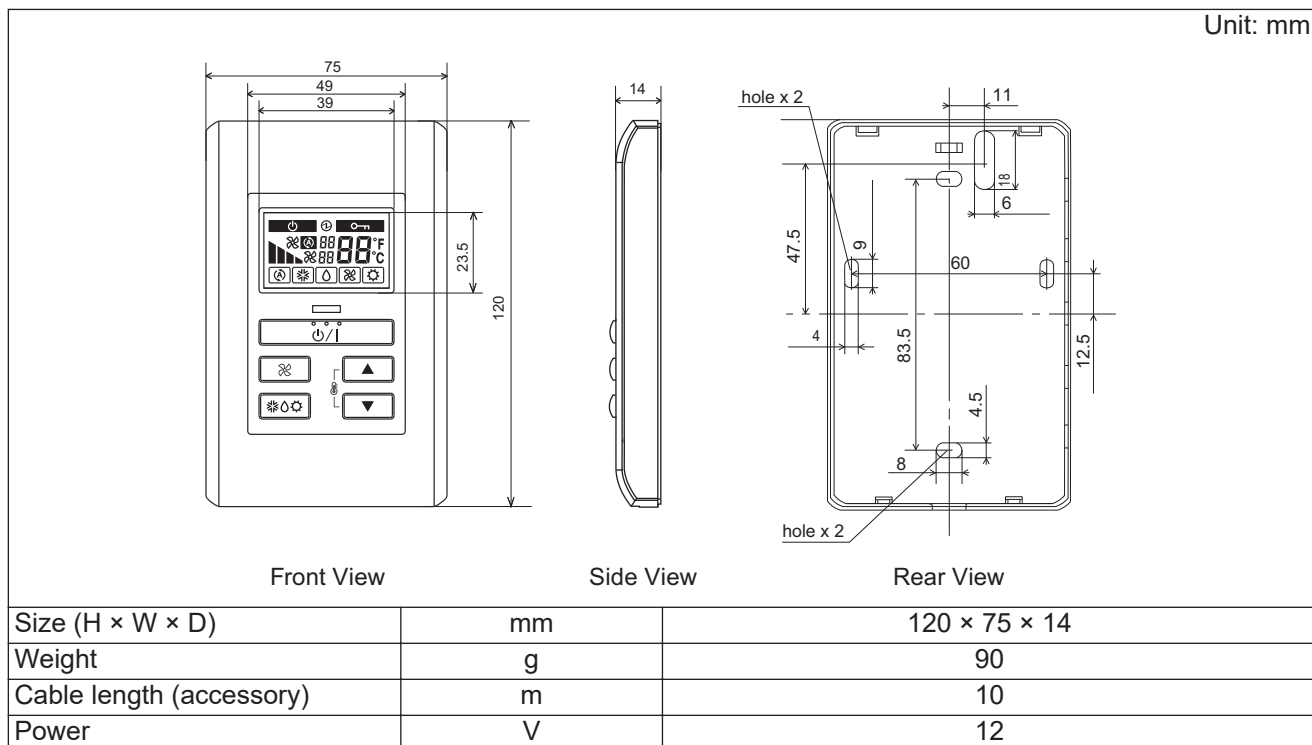


2 remote controllers:



■ Specifications

Dimensions and other specifications on the wired remote controller are as follows.



● Wiring specifications

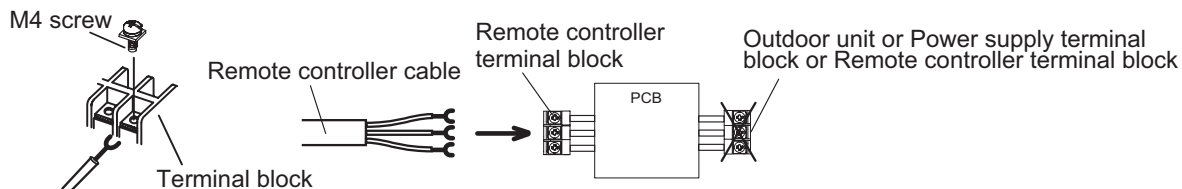
| Use | Size | Wire type | Remarks |
|-------------------------|----------------------|--------------|-------------------------|
| Remote controller cable | 0.33 mm ² | Polar 3 core | Use sheathed PVC cable. |

■ Installation

Connection pattern of wired remote controller varies by the type of the connected indoor unit.

● When connecting to terminal block (for Compact cassette, Slim duct, and Mini duct types)

Connect the end of remote controller cable directly to the exclusive terminal block.

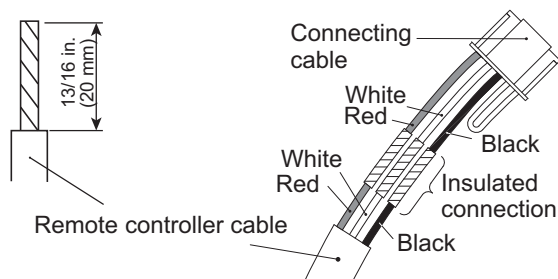


NOTE: It may be failed if it is connected to the outdoor unit or the terminal block for power supply.

● When connecting to Communication kit (for KM models in Wall mounted type)

When connecting the remote controller to optional Communication kit, follow the procedures mentioned below.

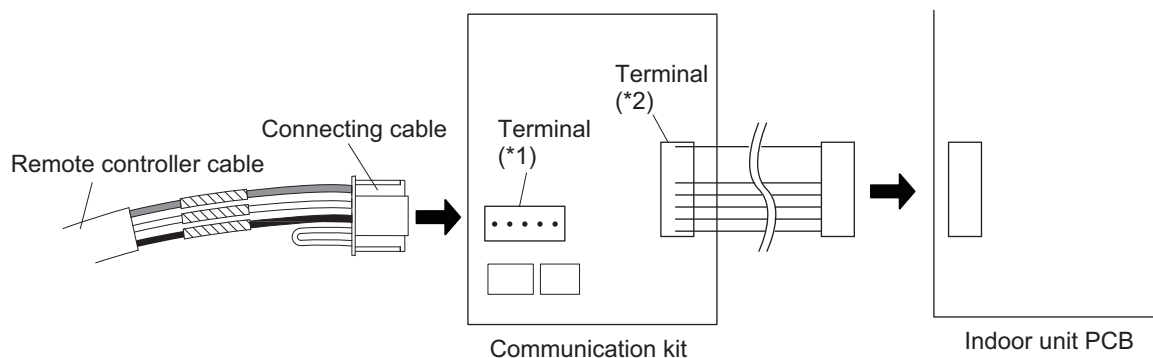
1. Modify the remote controller cable as follows:
 - Use a tool to cut off the terminal on the end of the remote controller cable and then remove the insulation from the cut end of the cable as shown in following figure.
 - Connect the remote controller cable and connecting cable as shown in following figure.
 - Be sure to insulate the connection between the cables.



2. Connect the remote controller cable.
 - Connect the cable made in step 1. to the terminal*1 of optional Communication kit.
 - Connect the cable from the terminal*2 of Communication kit to the indoor unit PCB.

*1: CNC01 on UTY-TWBXF2

*2: CND01 on UTY-TWBXF2



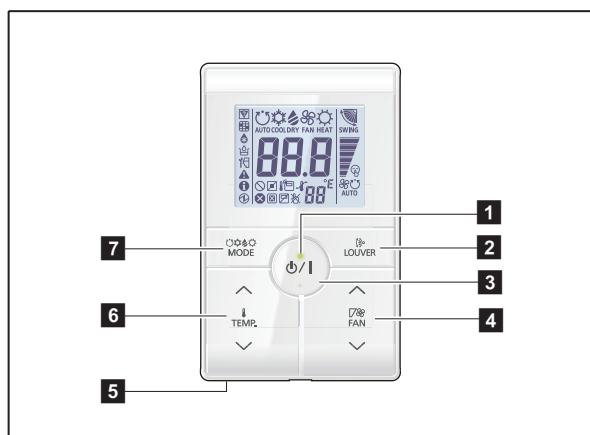
■ Required optional parts

Required optional parts for connecting the wired remote controller to the wall mounted type are as follows.

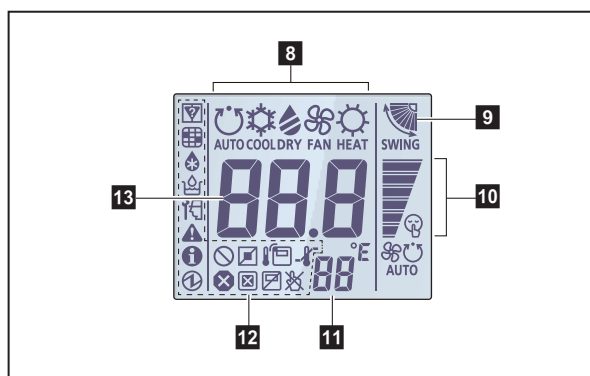
| Part name | Model name |
|----------------------|------------|
| External connect kit | UTY-TWBXF2 |
| Communication kit | UTY-XWZXZ5 |

13-10. Simple remote controller (UTY-RSRY and UTY-RHRY: Optional parts)

Overview



Display panel



1: Available only for UTY-RSR.

*2: Not available for a heat pump model unless it is set up as an administrative indoor unit.

*3: Not available for a heat pump model.

*4: Not available for a cooling-only model.

*5: Set the function setting of the indoor unit accordingly.

*6: During address display mode.

1 LED lamp

Lights during operation.

2 Louver button

Adjusts the airflow direction.

3 START/STOP button

Starts and stops operation.

4 FAN control button

Switches the fan speed as follows:



5 Room temperature sensor (inside)

Senses ambient temperature of unit.

6 Set temperature button

Selects the setting temperature. (18—30 °C [COOL], 10—30 °C [HEAT])

7 Operation mode button*1

Switches the operation mode as follows:



8 Operating mode indicator

9 Airflow direction indicator

10 FAN speed indicator

11 Remote controller address indicator

12 Status icons

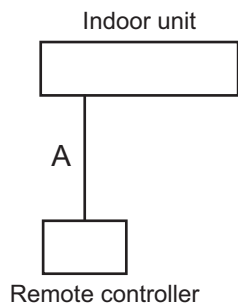
- Mode mismatch
- Filter sign *5
- Defrost operation
- Oil recovery operation
- Under maintenance
- Error
- Special state
- Conducting electricity
- Emergency stop
- Operation controlled
- Forced stop
- Remote controller sensor is enabled *5
- Central controlled
- Setting temperature range is enabled
- Operation prohibited

13 Set temperature

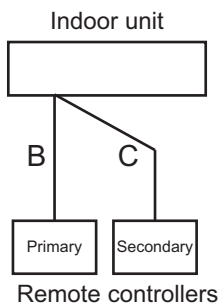
Indicates indoor unit address. *6

System diagram

1 remote controller:



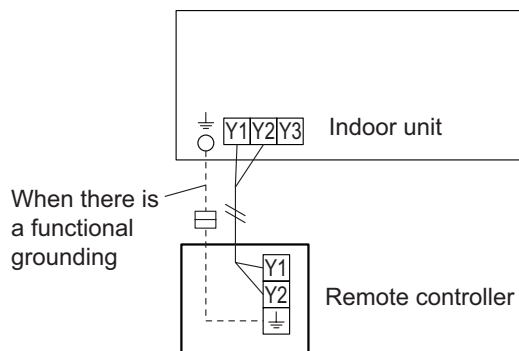
2 remote controllers:



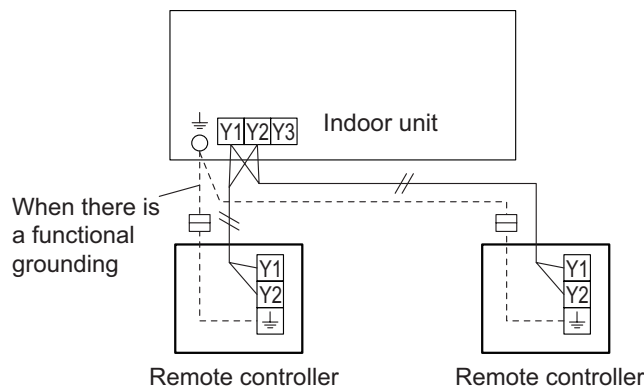
A, B, C: Remote controller cable
 $A \leq 500 \text{ m}; B + C \leq 500 \text{ m}$

Electrical wiring

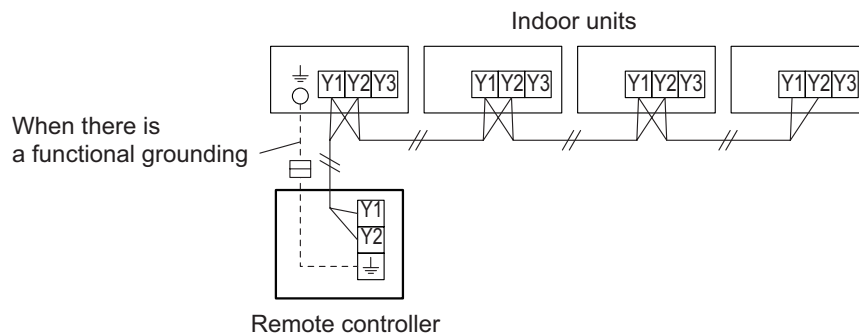
1 remote controller:



2 remote controllers:



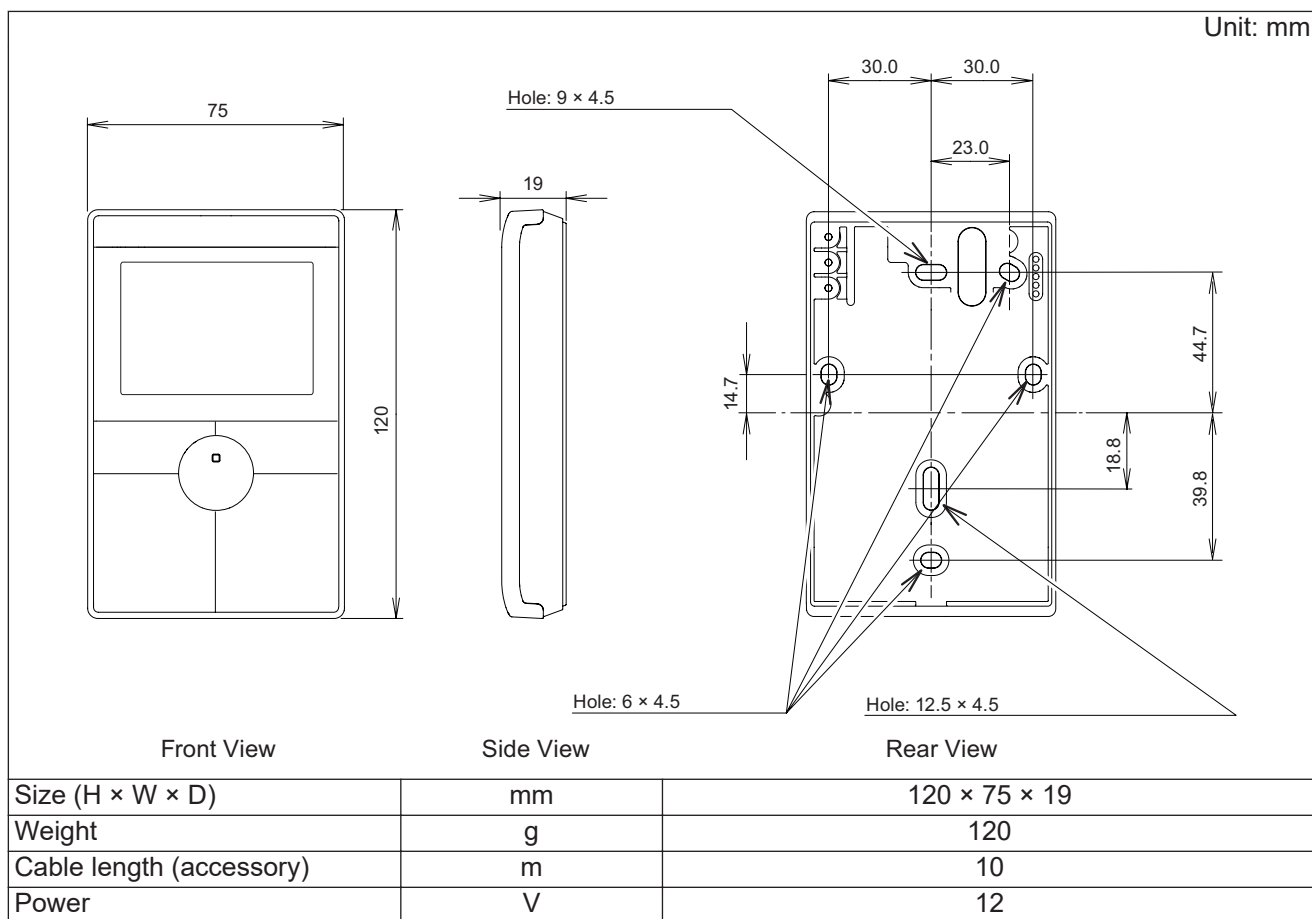
Group control:



NOTE: Group connection with Polar 3-wired remote controller is not allowed.

Specifications

Dimensions and other specifications on the wired remote controller are as follows.

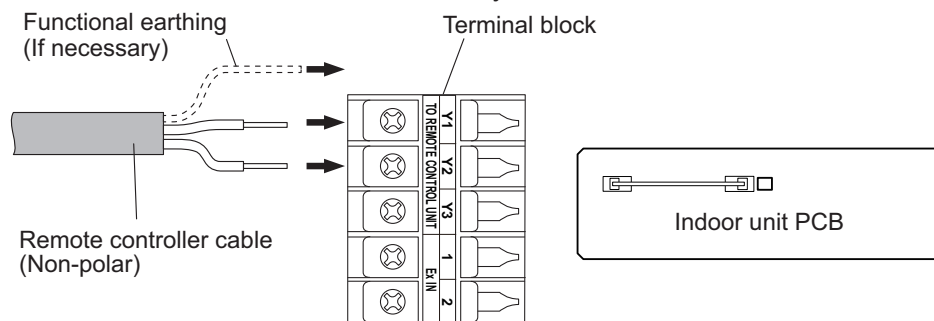


Wiring specifications

| Use | Cable size | Wire type | Remarks |
|-------------------------|------------------------------|-----------------------------------|-------------------------|
| Remote controller cable | 0.33 to 1.25 mm ² | Non-polar 2-core, Twisted pair | Use sheathed PVC cable. |

Installation

Connect the end of remote controller cable directly to the exclusive terminal block.



NOTES:

- Layout of terminal block and PCB is varies depending on the type of indoor unit.
- Operation may fail if it is connected to the outdoor unit or the terminal block for power supply.

14. Function settings

To adjust the functions of this product according to the installation environment, various types of function settings are available.

NOTE: Incorrect settings can cause a product malfunction.

14-1. Compact cassette, Mini duct, Slim duct types indoor unit (setting by DIP switch)

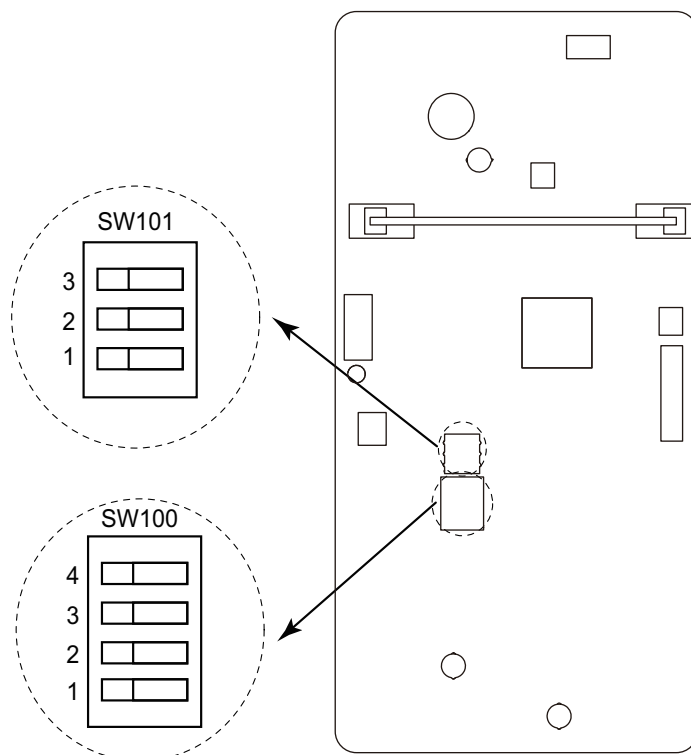
By using some components on the PCB, you can change the function settings.

Related components on the PCB and the applicable settings:

| Component | | Setting content | |
|------------|-------|-----------------|-----------------------------------|
| DIP switch | SW100 | 1 | Remote controller address setting |
| | | 2 | |
| | | 3 | |
| | | 4 | |
| | SW101 | 1 | Drainage function setting |
| | | 2 | Auto louver grille setting |
| | | 3 | Fan delay setting |

■ Component location

Components on the indoor unit main PCB used for the function settings are located as shown in the following figure.



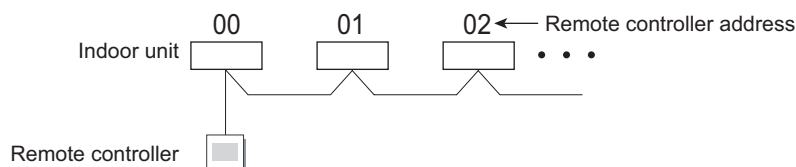
■ DIP switch setting

- **SW100: Remote controller address setting**

When operating a number of indoor units by using a wired remote controller, DIP switch setting for assigning unit number to each indoor unit is required.

The slide switches are normally set to make the unit number 00.

| Remote controller address | Switch number | | | | Factory setting |
|---------------------------|---------------|-----|-----|-----|-----------------|
| | 1 | 2 | 3 | 4 | |
| 00 | OFF | OFF | OFF | OFF | ◆ |
| 01 | ON | OFF | OFF | OFF | |
| 02 | OFF | ON | OFF | OFF | |
| 03 | ON | ON | OFF | OFF | |
| 04 | OFF | OFF | ON | OFF | |
| 05 | ON | OFF | ON | OFF | |
| 06 | OFF | ON | ON | OFF | |
| 07 | ON | ON | ON | OFF | |
| 08 | OFF | OFF | OFF | ON | |
| 09 | ON | OFF | OFF | ON | |
| 10 | OFF | ON | OFF | ON | |
| 11 | ON | ON | OFF | ON | |
| 12 | OFF | OFF | ON | ON | |
| 13 | ON | OFF | ON | ON | |
| 14 | OFF | ON | ON | ON | |
| 15 | ON | ON | ON | ON | |



- **SW101-Switch 1: Drainage function setting**

| Switch 1 | Drainage function | Factory setting |
|----------|-------------------|-----------------|
| ON | Disabled | |
| OFF | Enabled | ◆ |

- **SW101-Switch 2: Auto louver grille setting**

When Auto louver grille kit (optional parts) is attached, set to "Enabled".

| Switch 2 | Auto louver grille setting | Factory setting |
|----------|----------------------------|-----------------|
| ON | Enabled | |
| OFF | Disabled | ◆ |

- **SW101-Switch 3: Fan delay setting**

When the indoor unit is stopped while operating in conjunction with auxiliary heater, the indoor unit fan operation will continue for 1 minute.

| Switch 3 | Fan delay | Factory setting |
|----------|-----------|-----------------|
| ON | Enabled | |
| OFF | Disabled | ◆ |

14-2. Indoor unit (setting by wireless remote controller)

⚠ CAUTION

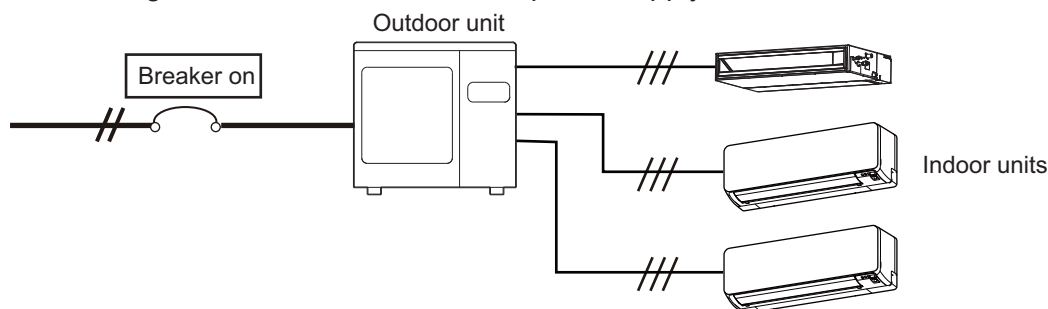
This setting changes the function settings used to control the indoor unit according to the installation conditions. Incorrect settings can cause a product malfunction.

- After the power is turned on, perform the “Function setting” according to the installation conditions using the remote controller.
- The settings may be selected between the following two: Function number or Setting number.
- Settings will not be changed if invalid numbers or setting numbers are selected.

■ Preparation

Before connecting the power supply of the indoor unit, reconfirm following items:

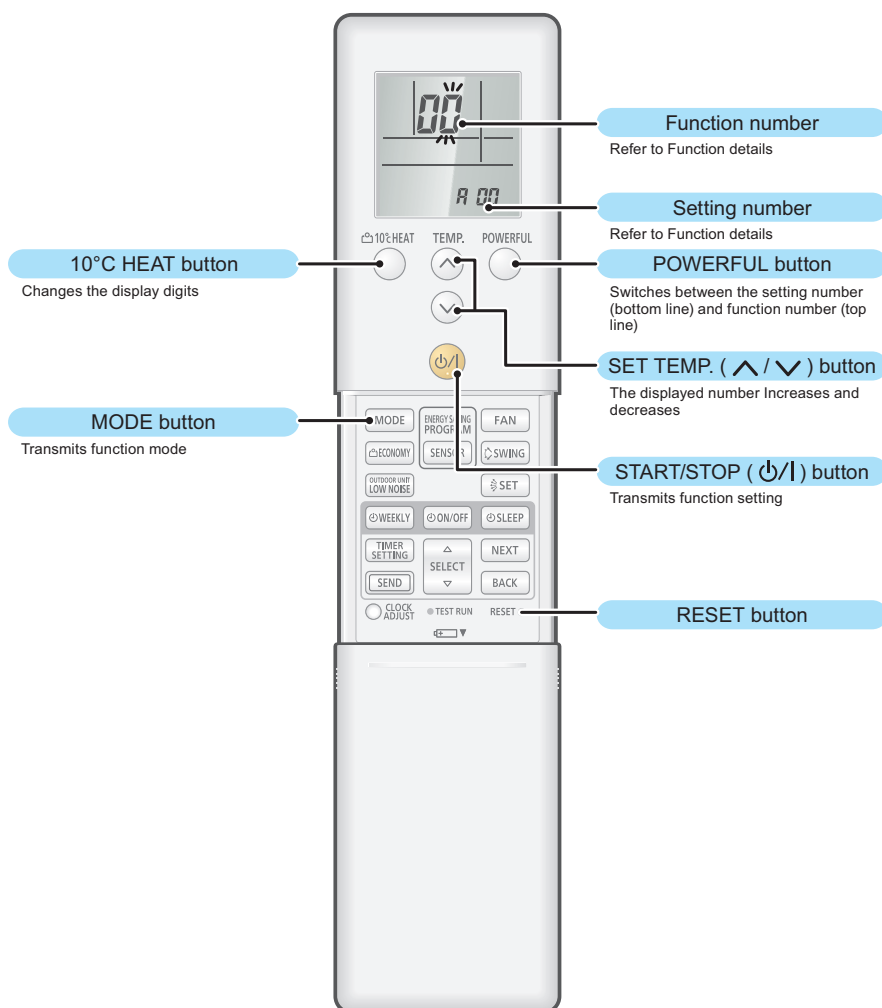
- Piping air tight test and vacuuming have been performed firmly.
- There is no wiring mistake. Then, connect the power supply of the indoor unit.



■ AR-REM4E (for Wall mounted type KGTB), AR-REW4E (for Wall mounted type KETA)

● Button name and function

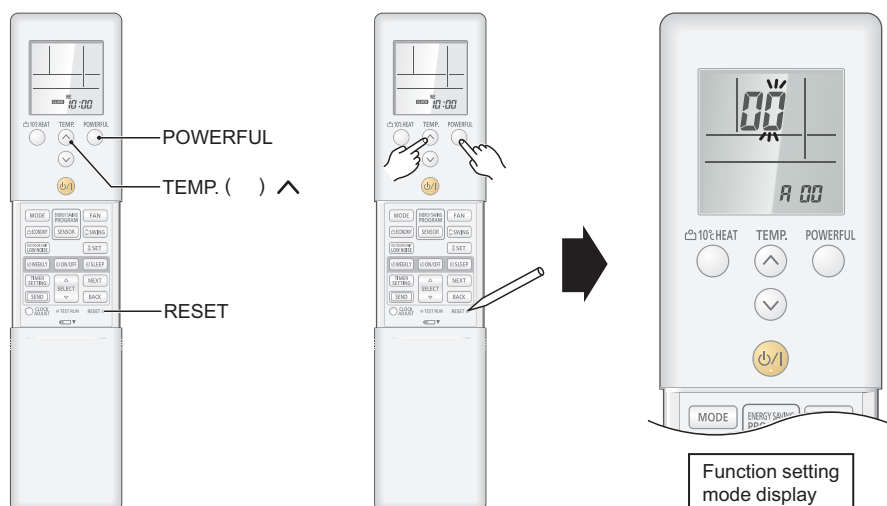
During address setting mode, indoor unit reject the any operation command from remote controller.



NOTE: The number of buttons varies by the remote controller model.

● Function setting procedure

1. Connect the power supply of the outdoor unit.
2. To enter the function setting mode, while holding down the POWERFUL and TEMP.^ button, press the RESET button.



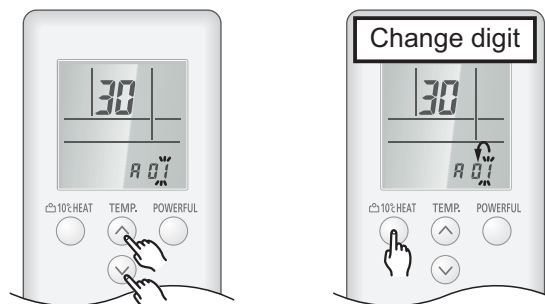
3. Select the function number by pressing the \wedge or the \vee buttons. Each time the 10 °C HEAT button is pressed, it switches between the right digit and the left digit.



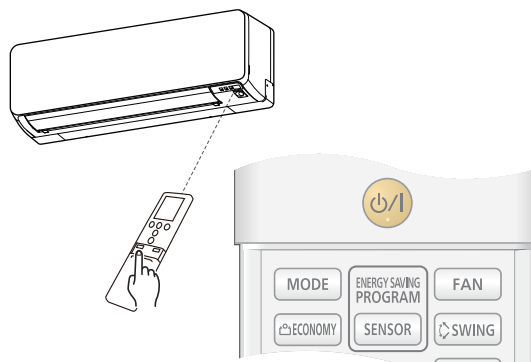
4. Proceed to the setting number by pressing the POWERFUL button. (To return to the function number selection, press the POWERFUL button again.)



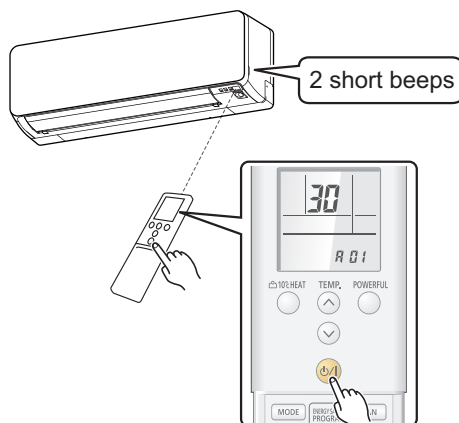
5. Select the function number by pressing the \wedge or the \vee button. Each time the 10 °C HEAT button is pressed, it switches between the right digit and the left digit.



6. Press the MODE button once to transmit the function mode information.



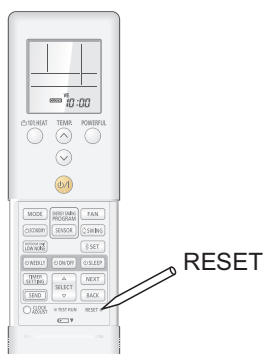
7. Press the $\phi/|$ button once to transmit the function setting information. 2 short beeps will be emitted from the indoor unit when the signal is received correctly. If wrong code is set, no beep sound will be emitted.



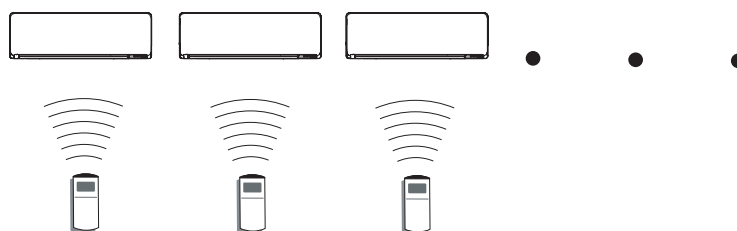
NOTE: Press $\phi/|$ button within 30 seconds after pressing MODE button.

For the function details, refer to Chapter 14-5. "[Function details](#)" on page 203.

8. Exit the function setting mode by pressing the RESET button.



● Setting up each indoor unit



Repeat step from 1. to 8. to set up each indoor unit. If the custom code is other than "H", steps from 1. to 2. and 8. need to be performed.

● Resetting the power after setting up all indoor units

Important:

- If the reset is not performed, function cannot be read correctly.
- After all the functions have been set, the circuit breaker needs to be switched off for at least 2 minutes.
 - After the 2 minutes has passed, power can be restored.
 - The set function is stored in the PCB and will remain in memory even when the power of indoor unit is turned off.
However setting function is effective after disconnecting the power supply and then reconnecting it.
- Record the latest configuration of the indoor unit function setting on a label, and put the label on the unit so it can be used for after-sales service operations.

Once the RESET button is pressed on the remote controller, the operation mode will be set to the AUTO MODE.

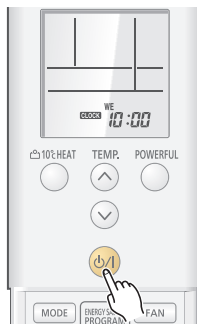
Adjust the operation mode to either cooling or heating before starting the operation of the air conditioner.

NOTE: If custom code other than "F" is set, the remote control must be set accordingly to the indoor unit setting.

● Remote controller custom code setting

Custom code setting of wireless remote controller needs to be same as the setting of the indoor unit. When you change the custom code setting of the wireless remote controller, do as follows:

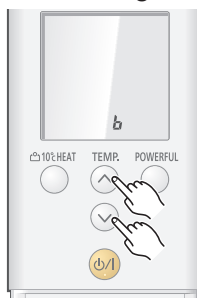
1. Press the START/STOP button until only the clock is displayed on the display.



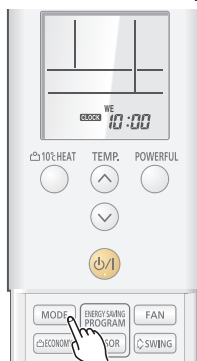
2. Press the MODE button for at least 5 seconds to display the current custom code (initially set to A).



3. Press the TEMP. “ ^ ” or the “ v ” button to change the custom code between A → b → c → d.



4. Press the MODE button again to return to the clock display. The custom code will be changed.

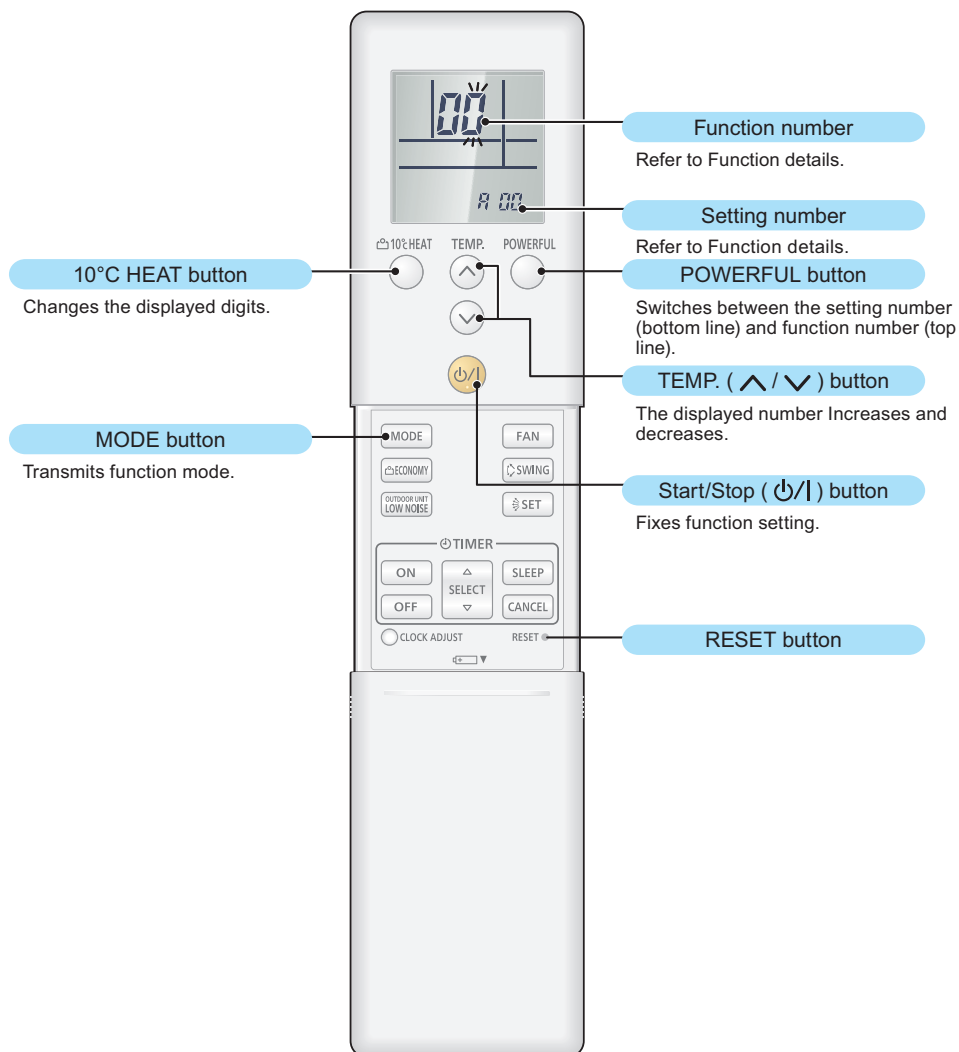


- If no buttons are pressed within 30 seconds after the custom code is displayed, the system returns to the original clock display. In this case, start again from step 1.
- The air conditioner custom code is set to A prior to shipment.
- If you do not know the air conditioner custom code setting, try each of the custom codes (A → b → c → d) until you find the code which operates the air conditioner.

■ AR-REB1E (for Wall mounted type KMTB)

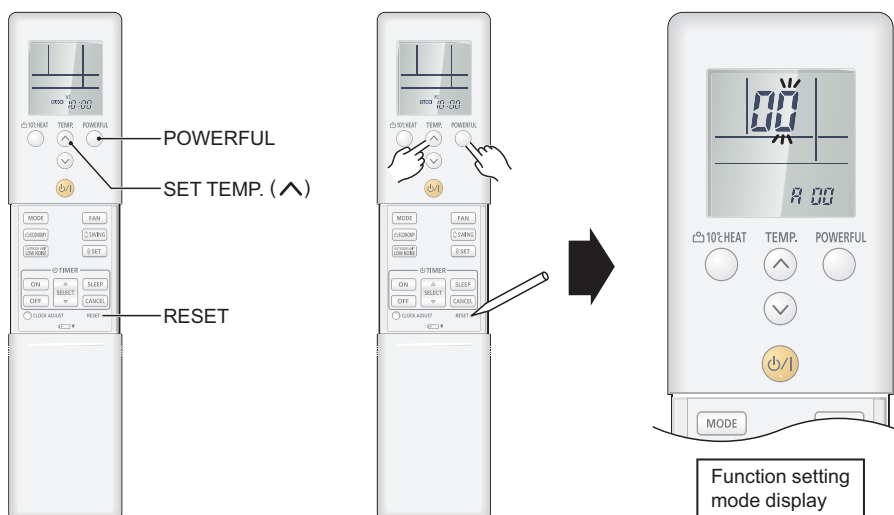
● Button name and function

During address setting mode, indoor unit reject the any operation command from remote controller.



● Function setting procedure

1. Connect the power supply of the outdoor unit.
2. To enter the function setting mode, while holding down the POWERFUL and SET TEMP. ^ buttons, press the RESET button.



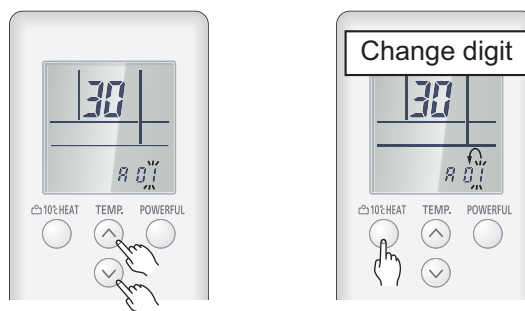
3. Select the function number by pressing the \wedge or the \vee buttons. Each time the 10°C HEAT button is pressed, it switches between the right digit and the left digit.



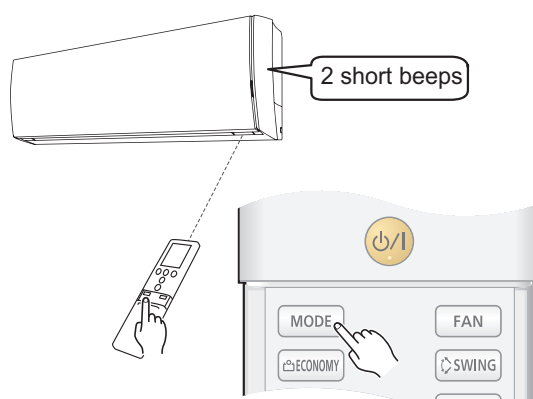
4. Proceed to the setting number by pressing the POWERFUL button. (To return to the function number selection, press the POWERFUL button again.)



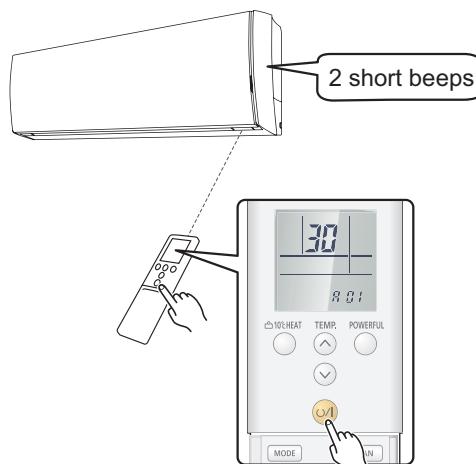
5. Select the function number by pressing the \wedge or the \vee button. Each time the 10°C HEAT button is pressed, it switches between the right digit and the left digit.



6. Press the MODE button once to transmit the function mode information.



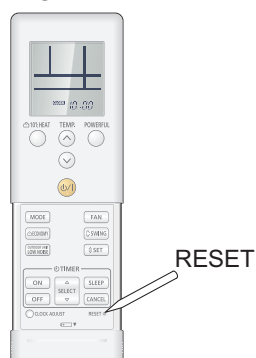
7. Press the $\phi/|$ button once to transmit the function setting information. 2 short beeps will be emitted from the indoor unit when the signal is received correctly. If wrong code is set, no beep sound will be emitted.



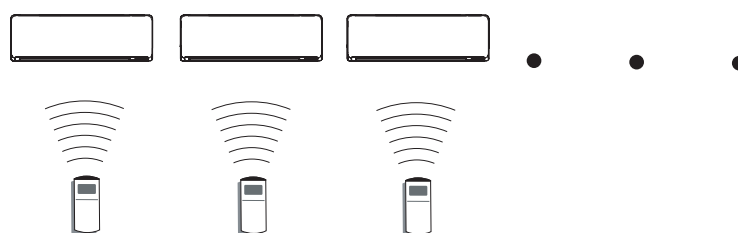
NOTE: Press $\phi/|$ button within 30 seconds after pressing MODE button.

For the function details, refer to Chapter 14-5. "[Function details](#)" on page 203.

8. Exit the function setting mode by pressing the RESET button.



● Setting up each indoor unit



Repeat step from 1. to 8. to set up each indoor unit. If the custom code is other than "R", steps from 1. to 2. and 8. need to be performed.

● Resetting the power after setting up all indoor units

Important:

- If the reset is not performed, function cannot be read correctly.
- After all the functions have been set, the circuit breaker needs to be switched off for at least 2 minutes.
 - After the 2 minutes has passed, power can be restored.
 - The set function is stored in the PCB and will remain in memory even when the power of indoor unit is turned off.
However setting function is effective after disconnecting the power supply and then reconnecting it.
- Record the latest configuration of the indoor unit function setting on a label, and put the label on the unit so it can be used for after-sales service operations.

Once the RESET button is pressed on the remote controller, the operation mode will be set to the AUTO MODE.

Adjust the operation mode to either cooling or heating before starting the operation of the air conditioner.

NOTE: If custom code other than "F" is set, the remote control must be set accordingly to the indoor unit setting.

● Remote controller custom code setting

Custom code setting of wireless remote controller needs to be same as the setting of the indoor unit. When you change the custom code setting of the wireless remote controller, do as follows:

1. Press the START/STOP button until only the clock is displayed on the display.



2. Press the MODE button for at least 5 seconds to display the current custom code (initially set to A).



3. Press the SET TEMP. “ ^ ” or the “ v ” button to change the custom code between A → b → c → d.



4. Press the MODE button again to return to the clock display. The custom code will be changed.

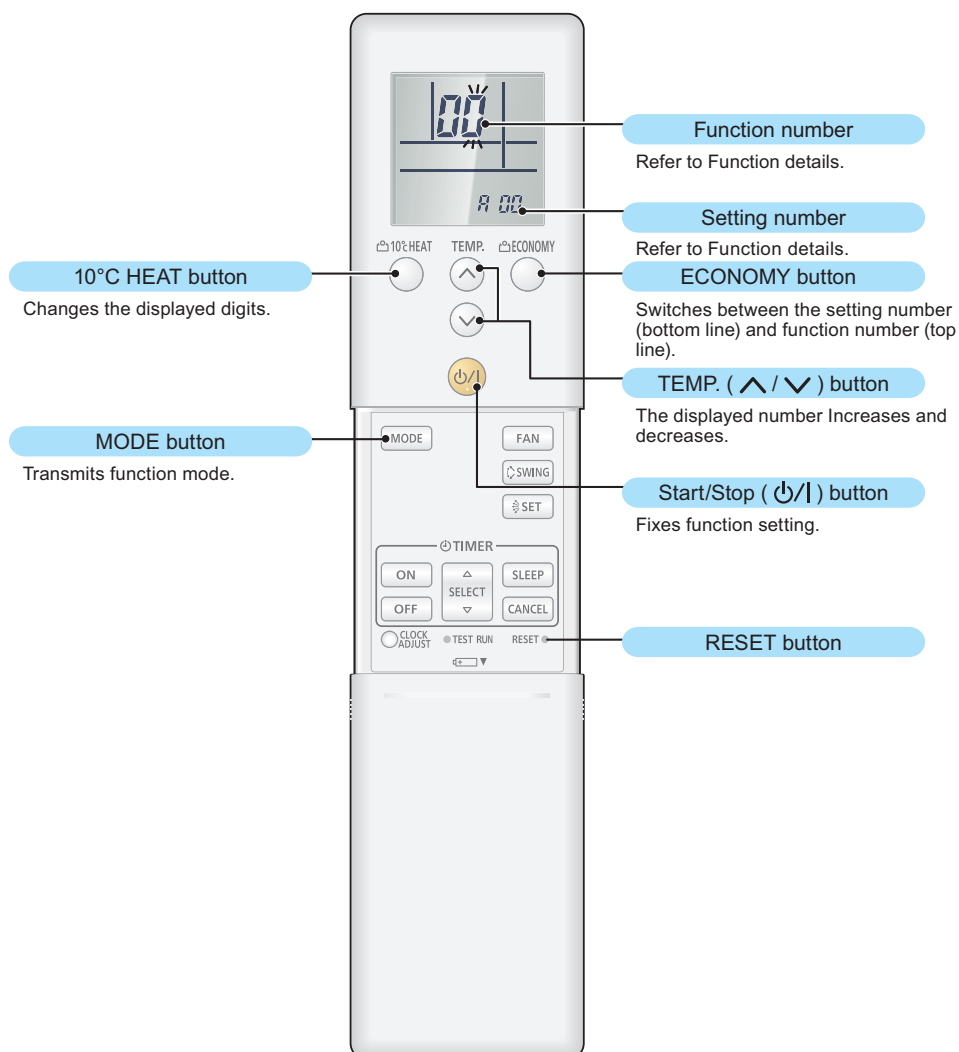


- If no buttons are pressed within 30 seconds after the custom code is displayed, the system returns to the original clock display. In this case, start again from step 1.
- The air conditioner custom code is set to A prior to shipment.
- If you do not know the air conditioner custom code setting, try each of the custom codes (A → b → c → d) until you find the code which operates the air conditioner.

■ UTY-LNTY (for Compact cassette type) or AR-REJ1E (included in UTY-LBTYM for Duct type)

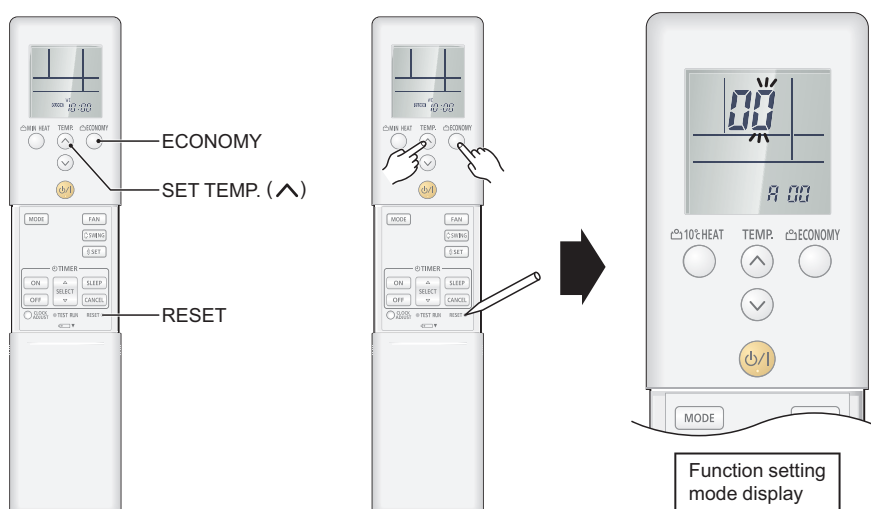
● Button name and function

During address setting mode, indoor unit reject the any operation command from remote controller.



● Function setting procedure

1. Connect the power supply of the outdoor unit.
2. To enter the function setting mode, while holding down the ECONOMY and SET TEMP. ^ buttons, press the RESET button.



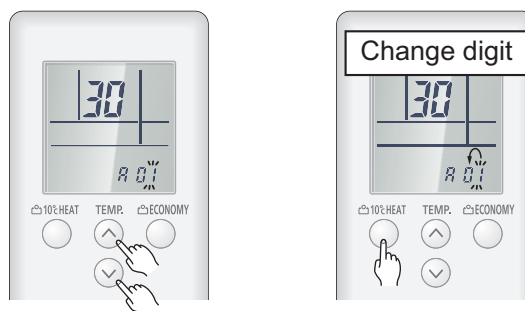
3. Select the function number by pressing the \wedge or the \vee buttons. Each time the 10°C HEAT button is pressed, it switches between the right digit and the left digit.



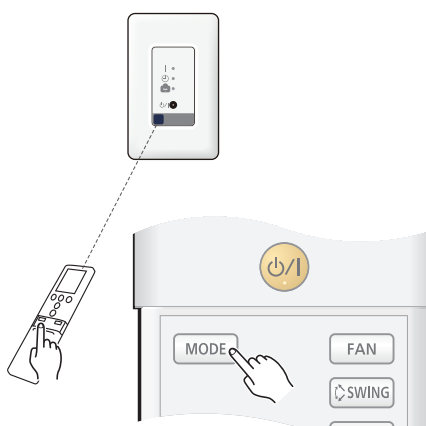
4. Proceed to the setting number by pressing the ECONOMY button. (To return to the function number selection, press the ECONOMY button again.)



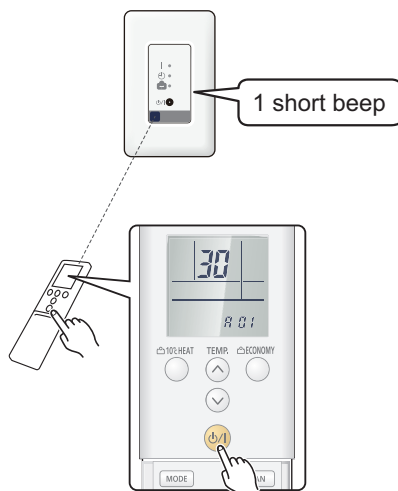
5. Select the function number by pressing the \wedge or the \vee button. Each time the 10°C HEAT button is pressed, it switches between the right digit and the left digit.



6. Press the MODE button once to transmit the function mode information.



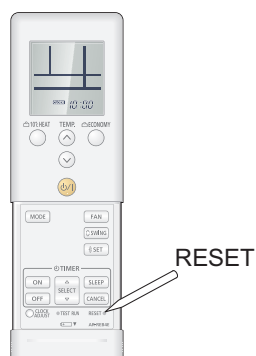
7. Press the $\phi/1$ button once to transmit the function setting information. 1 short beep will be emitted from the indoor unit or the IR receiver when the signal is received correctly. If wrong code is set, no beep sound will be emitted.



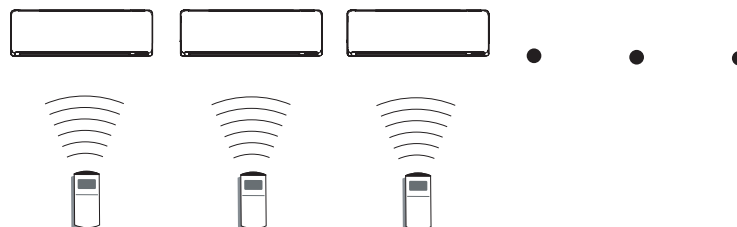
NOTE: Press $\phi/1$ button within 30 seconds after pressing MODE button.

For the function details, refer to Chapter 14-5. "[Function details](#)" on page 203.

8. Exit the function setting mode by pressing the RESET button.



● Setting up each indoor unit



Repeat step from 1. to 8. to set up each indoor unit. If the custom code is other than "A", steps from 1. to 2. and 8. need to be performed.

● Resetting the power after setting up all indoor units

Important:

- If the reset is not performed, function cannot be read correctly.
- After all the functions have been set, the circuit breaker needs to be switched off for at least 2 minutes.
 - After the 2 minutes has passed, power can be restored.
 - The set function is stored in the PCB and will remain in memory even when the power of indoor unit is turned off. However setting function is effective after disconnecting the power supply and then reconnecting it.
- Record the latest configuration of the indoor unit function setting on a label, and put the label on the unit so it can be used for after-sales service operations.

Once the RESET button is pressed on the remote controller, the operation mode will be set to the AUTO MODE.

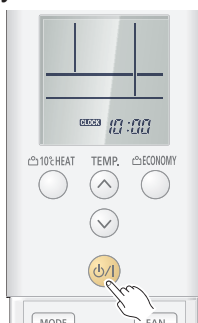
Adjust the operation mode to either cooling or heating before starting the operation of the air conditioner.

NOTE: If custom code other than "A" is set, the remote control must be set accordingly to the indoor unit setting.

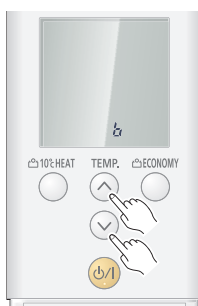
● Remote controller custom code setting

Custom code setting of wireless remote controller needs to be same as the setting of the indoor unit. When you change the custom code setting of the wireless remote controller, do as follows:

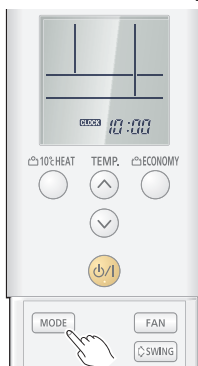
1. Press the START/STOP button until only the clock is displayed on the display.



2. Press the MODE button for at least 5 seconds to display the current custom code (initially set to A).
3. Press the SET TEMP. “ ^ ” or the “ v ” button to change the custom code between $A \rightarrow b \rightarrow c \rightarrow d$.



4. Press the MODE button again to return to the clock display. The custom code will be changed.



- If no buttons are pressed within 30 seconds after the custom code is displayed, the system returns to the original clock display. In this case, start again from step 1.
- The air conditioner custom code is set to A prior to shipment.
- If you do not know the air conditioner custom code setting, try each of the custom codes ($A \rightarrow b \rightarrow c \rightarrow d$) until you find the code which operates the air conditioner.

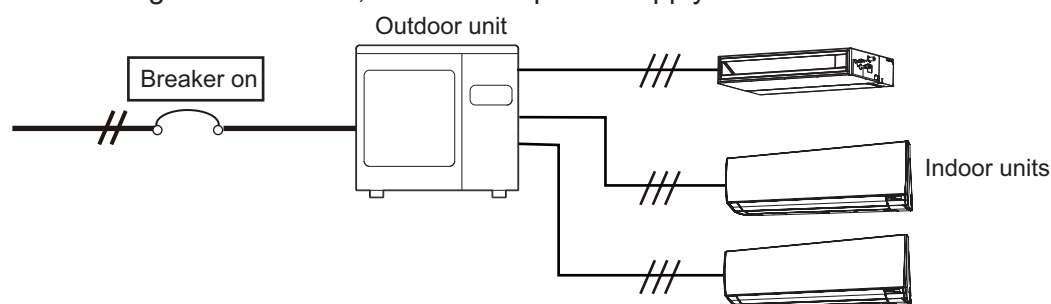
14-3. Indoor unit (setting by wired remote controller)

- The function settings of the control of the indoor unit can be changed by this procedure according to the installation conditions. Incorrect settings can cause the indoor unit malfunction.
- After the power is turned on, perform the “Function setting” according to the installation conditions using the remote controller.
- The settings may be selected between the following two: Function number or Setting number.
- Settings will not be changed if invalid numbers or setting numbers are selected.
- This function cannot be used on the secondary units.

■ Preparation

Before connecting the power supply of the indoor unit, reconfirm following items:

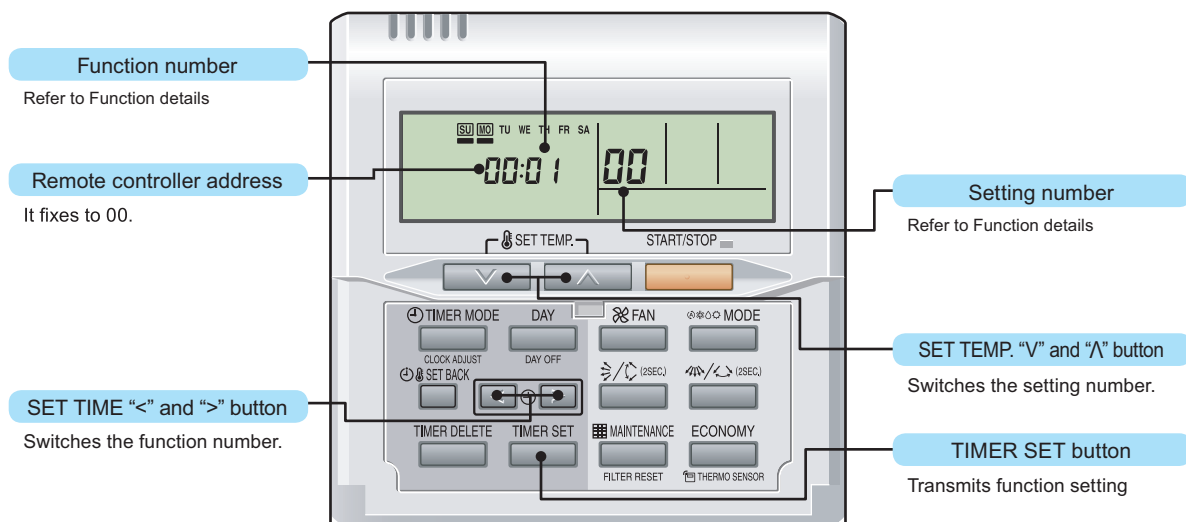
- Piping air tight test and vacuuming have been performed firmly.
- There is no wiring mistake. Then, connect the power supply of the indoor unit.



■ UTY-RNNYM

● Button name and function

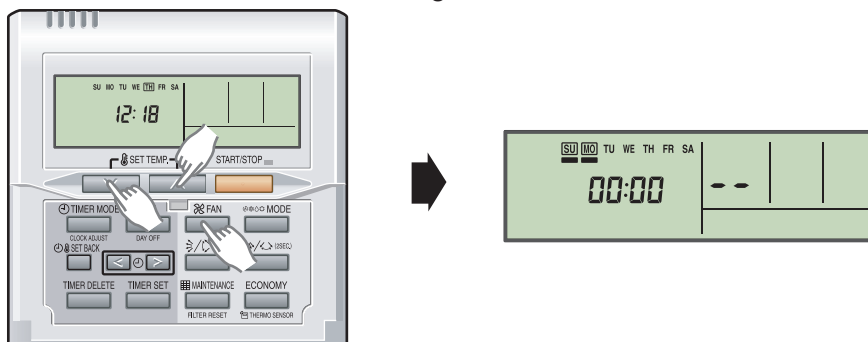
During address setting mode, indoor unit reject the any operation command from remote controller.



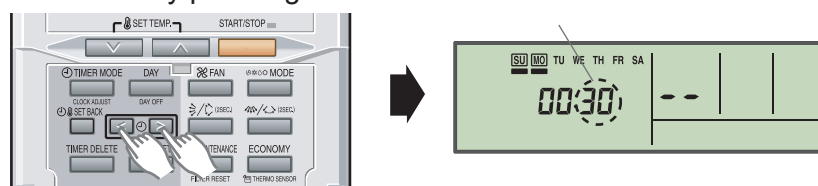
● Function setting procedure

1. Connect the power supply of the outdoor unit.
2. Switch to the function setting mode.

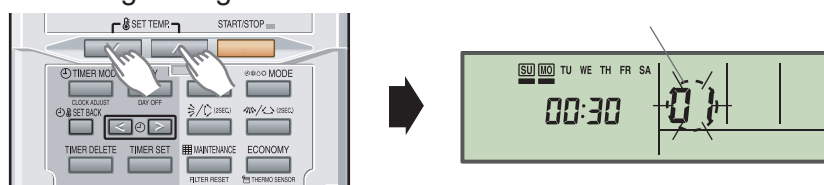
To enter the function setting mode, hold down the 3 buttons of SET TEMP. ∇ , SET TEMP. \wedge , and FAN at the same time for 5 seconds or longer.



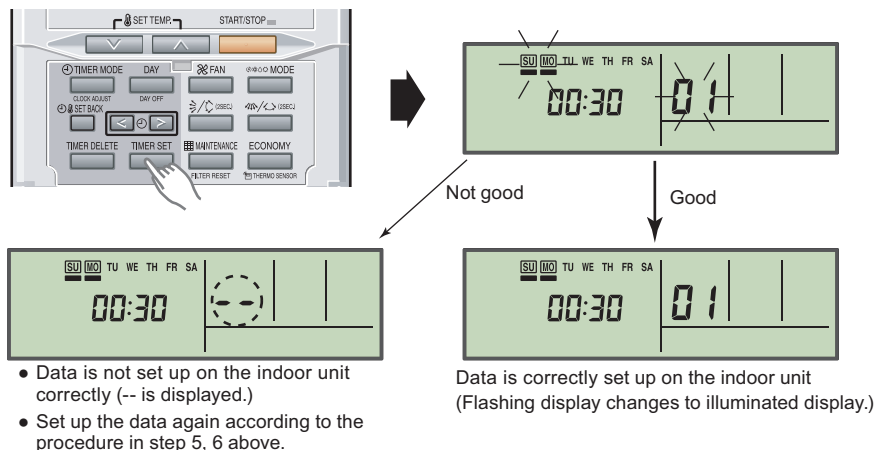
3. Select the function number by pressing the SET TIME $<$ or the SET TIME $>$ button.



4. Select the setting number by pressing the SET TEMP. \wedge or the SET TEMP. ∇ button. The display flashes during setting number selection.

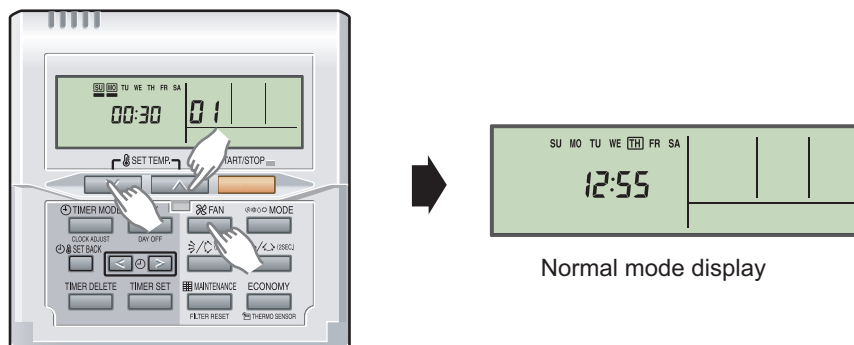


5. Confirm the setting by pressing the TIMER SET button.
The data will be transferred to the indoor unit.



Function details: Refer to Chapter 14-5. "Function details" on page 203.

6. Exit the function setting mode by holding 3 buttons of SET TEMP. ∇ , SET TEMP. \wedge and FAN at the same time.



If no button is pressed within 60 seconds after buttons mentioned above are pressed, it will automatically exit the function setting mode.

If you exit the function setting mode unintentionally during setting, enter the mode again according to the procedure in step 2.

● Setting up each indoor unit

Repeat the procedures from step 1 to 6, and set up the indoor units requiring function setting.

● Resetting the power after setting up function of all indoor units

NOTES:

- If the reset is not performed, function cannot be read correctly.
- After all the functions have been set, the circuit breaker needs to be switched off for at least 2 minutes.
 - After the 2 minutes has passed, power can be restored.
 - The set function is stored in the PCB and will remain in memory even when the power of indoor unit is turned off.
However setting function is effective after disconnecting the power supply and then reconnecting it.
- Record the latest configuration of the indoor unit function setting on a label, and put the label on the unit so it can be used for after-sales service operations.

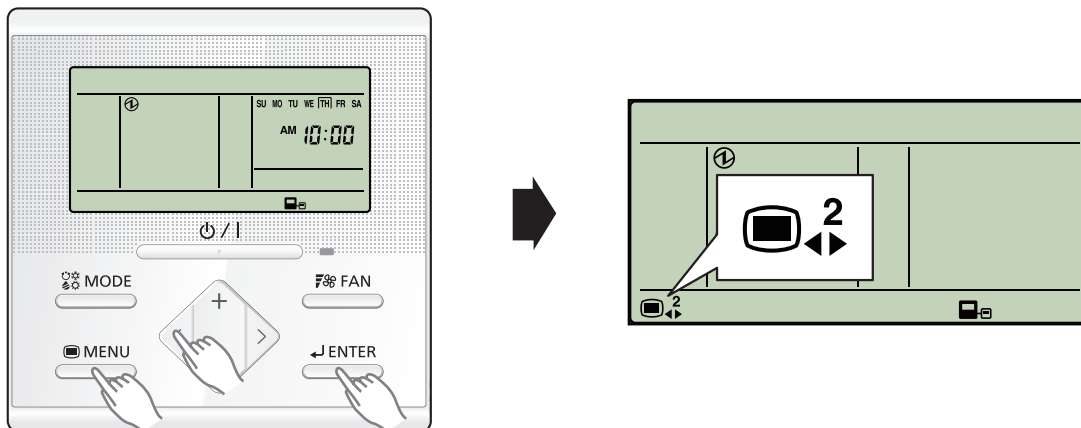
■ UTY-RLRY

● Setting procedure by using wired remote controller

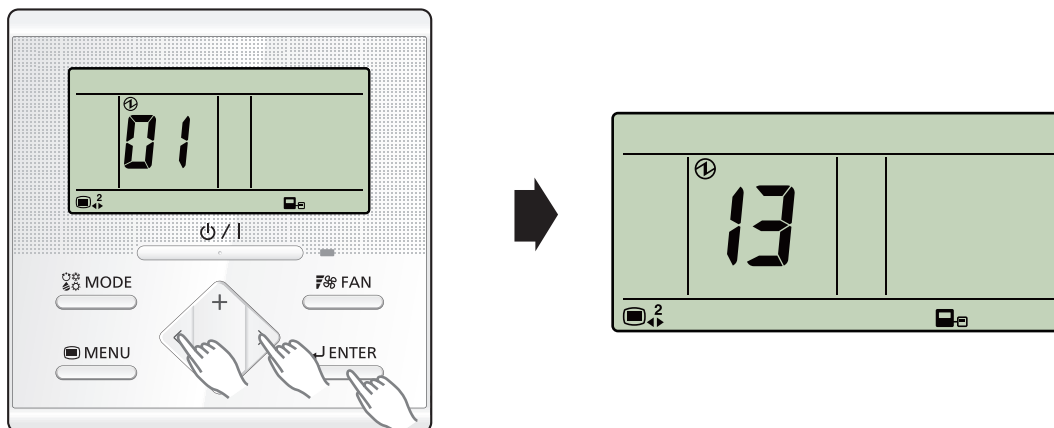
The function number and the associated setting value are displayed on the LCD of the remote controller. Follow the instructions written in the local setup procedure supplied with the remote controller, and select appropriate setting according to the installation environment.

Before connecting the power supply of the indoor unit, reconfirm following items:

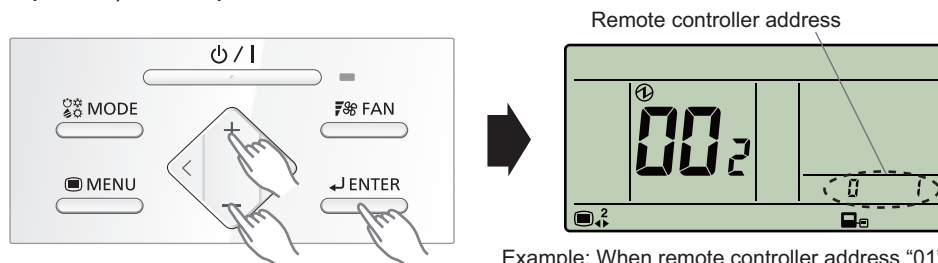
- Piping air tight test and vacuuming have been performed firmly.
 - There is no wiring mistake.
1. Connect the power supply.
 2. To activate the address setting mode, hold down the three buttons of "MENU", "<", and "ENTER" at the same time for 2 seconds or longer. Menu 2 setting screen is displayed.



3. Select the "13" in Menu 2 settings. Then press the "ENTER" button.

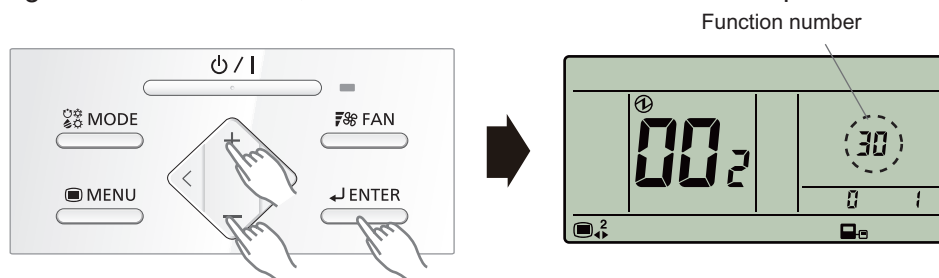


4. Pressing the "+" or "-" button, select a remote controller address (select the indoor unit you want to operate). Then press the "ENTER" button.

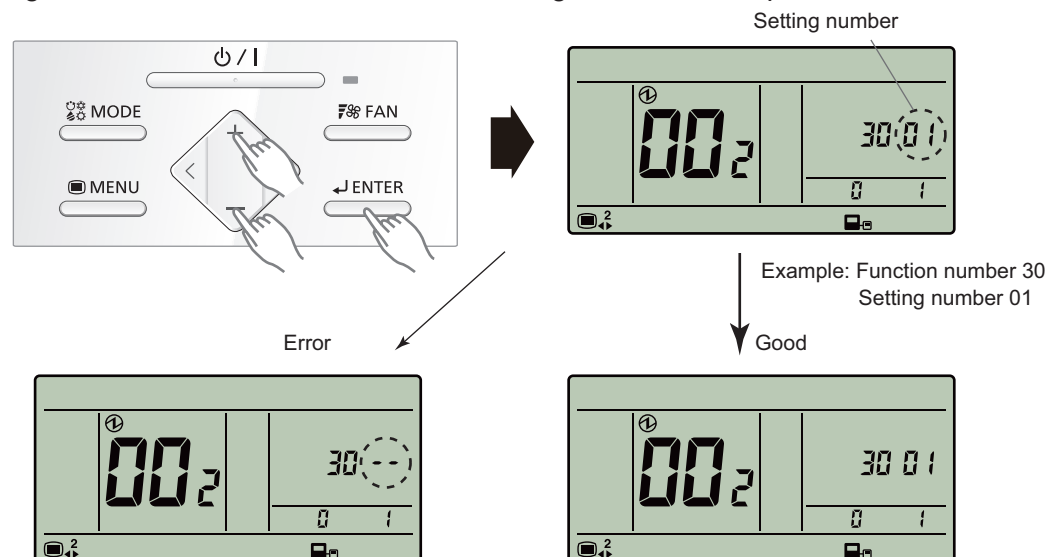


Example: When remote controller address "01" is selected.

5. Pressing the "+" or "-" button, to select the function number. Then press the "ENTER" button.



6. Pressing the "+" or "-" button, to select the setting number. Then press the "ENTER" button.



• When the data was not set up on the indoor unit ("--" is displayed.)

• Set up the data again.

• When the data was normally set up on the indoor unit.

Pressing the "ENTER" button to return to the address selection screen.

If setting has been completed, pressing the "MENU" button to return to the Menu 2 item selection screen.

● Setting up each indoor unit

Repeat the procedure from step 1 to 6, and set up the indoor units requiring function setting.

● Resetting the power after setting up function of all indoor units

NOTES:

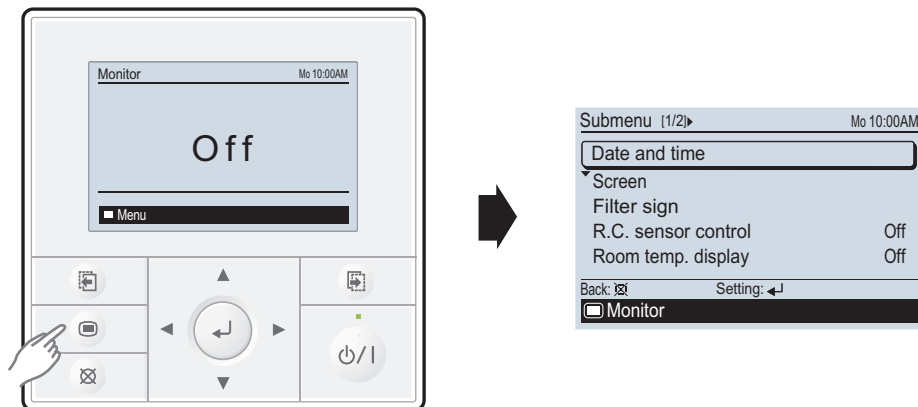
- If the reset is not performed, function cannot be read correctly.
- After all the functions have been set, the circuit breaker needs to be switched off for at least 2 minutes.
 - After the 2 minutes has passed, power can be restored.
 - The set function is stored in the PCB and will remain in memory even when the power of indoor unit is turned off. However setting function is effective after disconnecting the power supply and then reconnecting it.
- Record the latest configuration of the indoor unit function setting on a label, and put the label on the unit so it can be used for after-sales service operations.

■ UTY-RVNYM

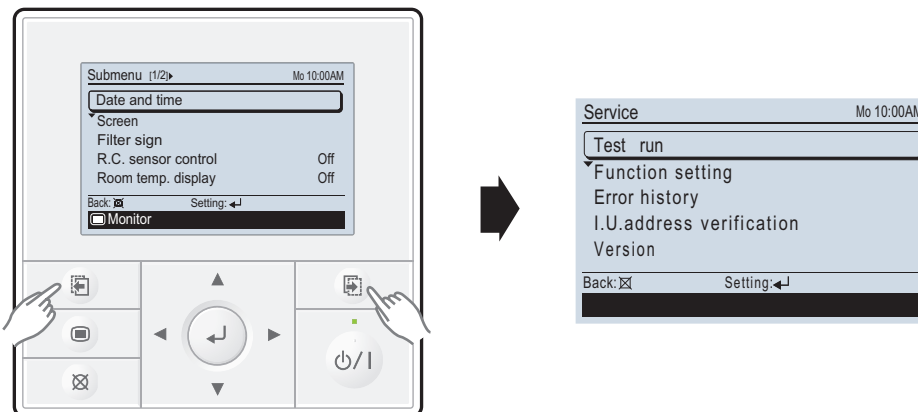
● Function setting procedure

1. Connect the power supply of the outdoor unit.
2. Switch to the function setting mode.

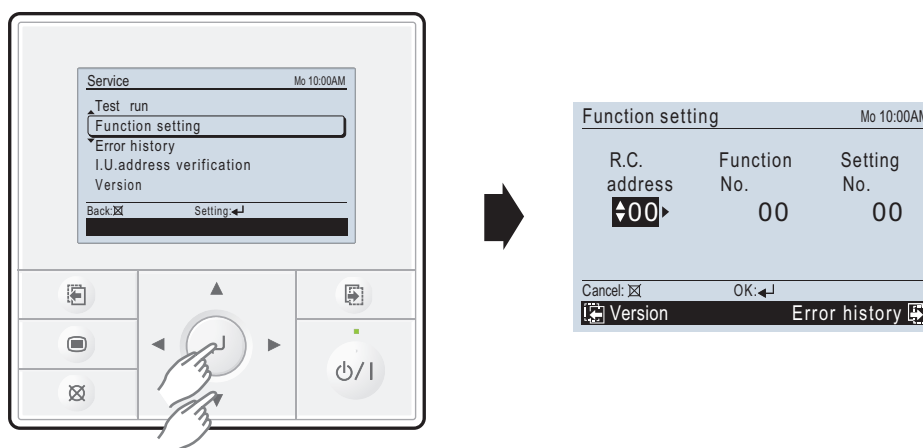
When [Menu button] is pressed twice while “Monitor” screen is displayed, it switches to the “Submenu” screen. If [Menu button] is pressed while the “Submenu” screen is displayed, the display returns to the “Monitor” screen.



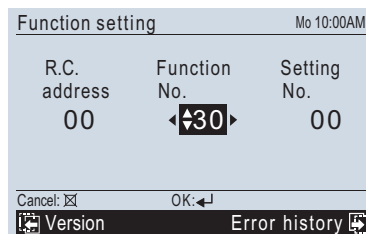
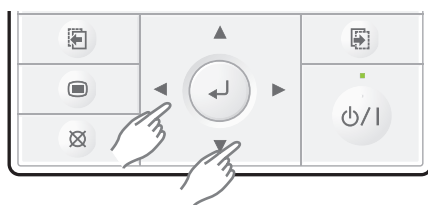
Press the [Screen switch button (Left)] and [Screen switch button (Right)] simultaneously for 5 seconds to switch to “Service” screen.



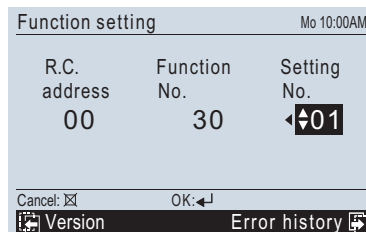
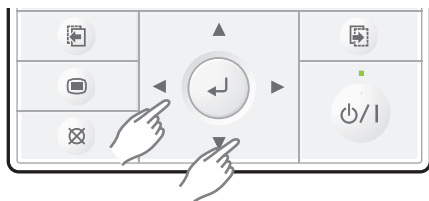
Select [Function setting] with pressing the [Cursor button (Up/Down)], and press the [Enter button].



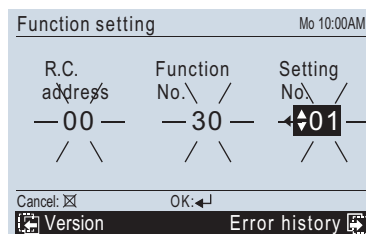
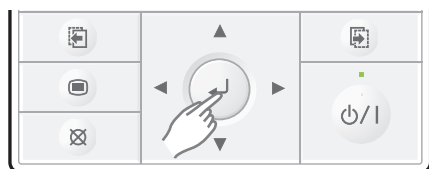
3. Select the [Function No.] with pressing the [Cursor button (Left/Right)], and select the Function No. to be set with pressing the [Cursor button (Up/Down)].



4. Select the [Setting No.] with pressing the [Cursor button (Left/Right)], and select the Setting No. to be set with pressing the [Cursor button (Up/Down)].

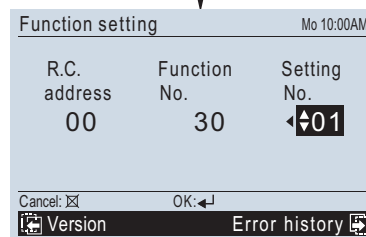
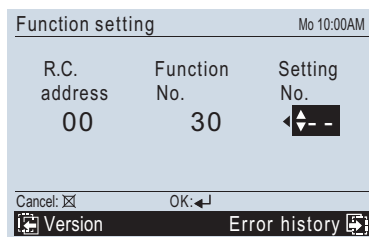


5. Pressing the [Enter button], confirm the setting. The data will be transferred to the indoor unit.



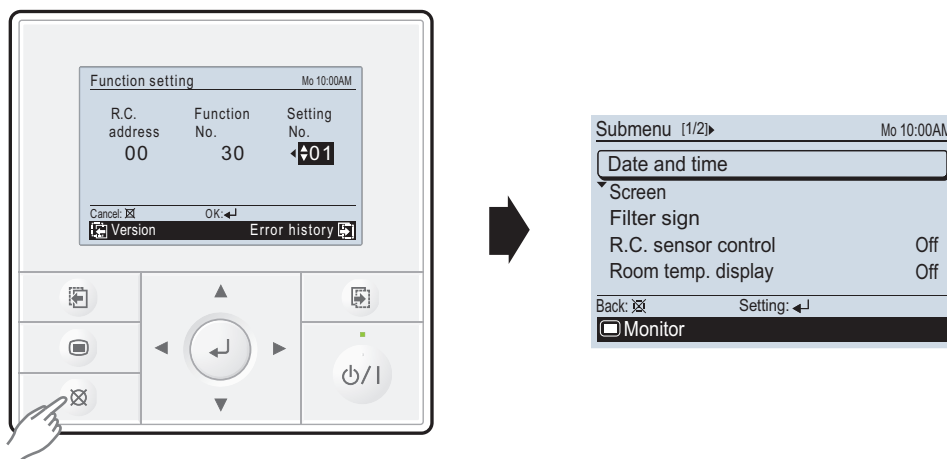
Error

Good



Function details: Refer to Chapter 14-5. "Function details" on page 203.

6. When [Cancel button] is pressed twice while “Function setting” screen is displayed, it switches to the “Submenu” screen.



If no button is pressed within 60 seconds after buttons mentioned above are pressed, it will automatically exit the function setting mode.

If you exit the function setting mode unintentionally during setting, enter the mode again according to the procedure in step 2.

● Setting up each indoor unit

Repeat the procedures from step 1 to 6, and set up the indoor units requiring function setting.

● Resetting the power after setting up function of all indoor units

NOTES:

- If the reset is not performed, function cannot be read correctly.
- After all the functions have been set, the circuit breaker needs to be switched off for at least 2 minutes.
 - After the 2 minutes has passed, power can be restored.
 - The set function is stored in the PCB and will remain in memory even when the power of indoor unit is turned off. However setting function is effective after disconnecting the power supply and then reconnecting it.
- Record the latest configuration of the indoor unit function setting on a label, and put the label on the unit so it can be used for after-sales service operations.

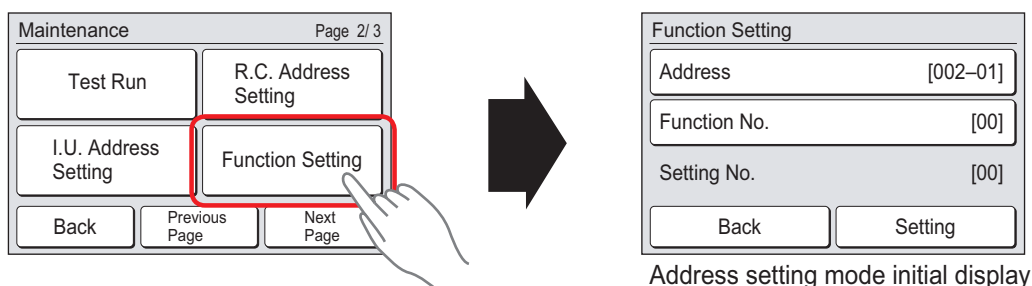
■ UTY-RNRYZ*

● Setting procedure by using wired remote controller

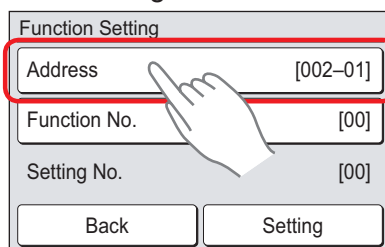
The function number and the associated setting value are displayed on the LCD of the remote controller. Follow the instructions written in the local setup procedure supplied with the remote controller, and select appropriate setting according to the installation environment.

Before connecting the power supply of the indoor unit, reconfirm following items:

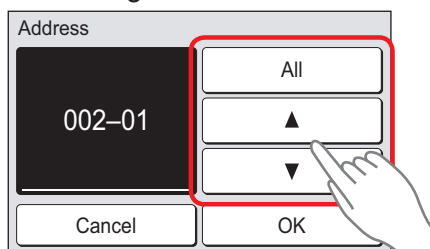
- Piping air tight test and vacuuming have been performed firmly.
 - There is no wiring mistake.
1. Connect the power supply.
 2. When the “Function Setting” on the “Maintenance” screen is touched, the “Installer Password Verification” screen is displayed. After enter the installer password, and touch the “OK”, “Function Setting” screen is displayed.



3. Touch the “Address” on the “Function Setting” screen.

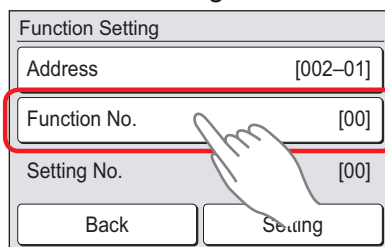


4. “Address” screen is displayed. Select the address of the indoor unit whose function number is to be set by touching ▲ or ▼. When setting at all the indoor units, touch “All”.

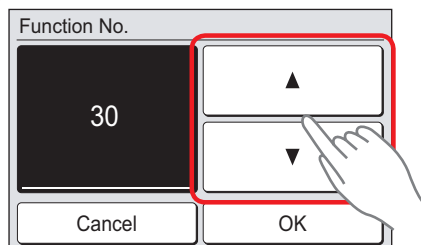


When the “OK” is touched, the display returns to the “Function Setting” screen.

5. Touch the “Function No.” on the “Function Setting” screen.

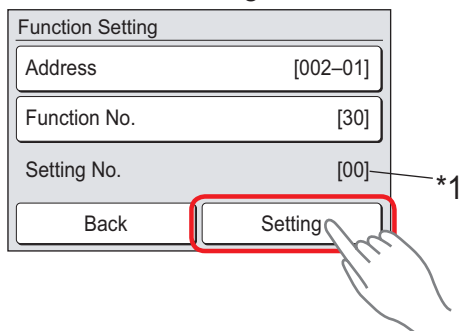


6. "Function No." screen is displayed. Set the "Function No." with ▲ or ▼.



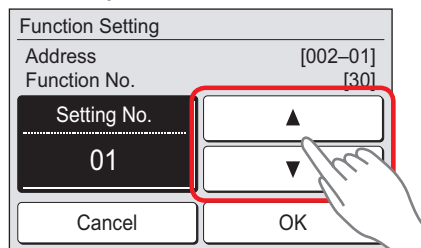
When the "OK" is touched, the display returns to the "Function Setting" screen.

7. Touch the "Function No." on the "Function Setting" screen.



NOTE: *1: When "All" is chosen by "5", and different set up "Setting No." from two or more indoor units, "-" is displayed on "Setting No.".

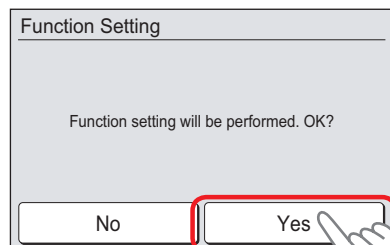
8. Setting screen of "Setting No." is displayed. Set the "Function No." with ▲ or ▼.



Example: Function number: 30, Setting Number: 01

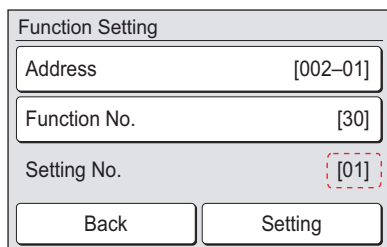
When the "OK" is touched, the "Function Setting" verification screen is displayed.

9. Touch the "Yes" of the verification screen.

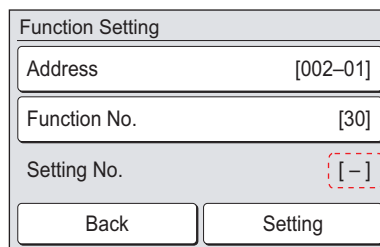


In case of "OK"

In case of "ERROR"

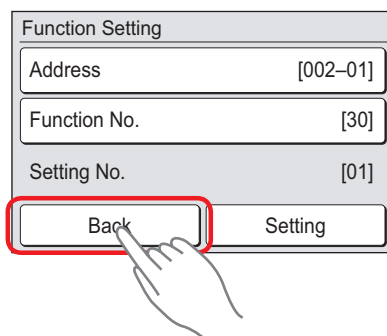


When the data was normally set up on the indoor unit



When the data was not set up on the indoor unit ([-] is displayed.), set up the data again according to the procedure in step 4 to 7 above

10. When the "Back" on the "Function Setting" screen is touched, the display returns to the "Maintenance" screen.



● Setting up each indoor unit

Repeat the procedure from step 1 to 6, and set up the indoor units requiring function setting.

● Resetting the power after setting up function of all indoor units

NOTES:

- If the reset is not performed, function cannot be read correctly.
- After all the functions have been set, the circuit breaker needs to be switched off for at least 2 minutes.
 - After the 2 minutes has passed, power can be restored.
 - The set function is stored in the PCB and will remain in memory even when the power of indoor unit is turned off. However setting function is effective after disconnecting the power supply and then reconnecting it.
- Record the latest configuration of the indoor unit function setting on a label, and put the label on the unit so it can be used for after-sales service operations.

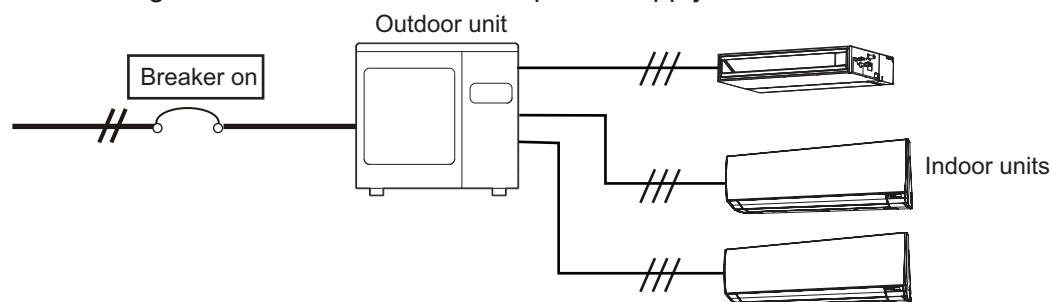
14-4. Indoor unit (setting by simple remote controller)

- The function settings of the control of the indoor unit can be changed by this procedure according to the installation conditions. Incorrect settings can cause the indoor unit malfunction.
- After the power is turned on, perform the “Function setting” according to the installation conditions using the remote controller.
- The settings may be selected between the following two: Function number or Setting number.
- Settings will not be changed if invalid numbers or setting numbers are selected.
- This function cannot be used on the secondary units.

■ Preparation

Before connecting the power supply of the indoor unit, reconfirm following items:

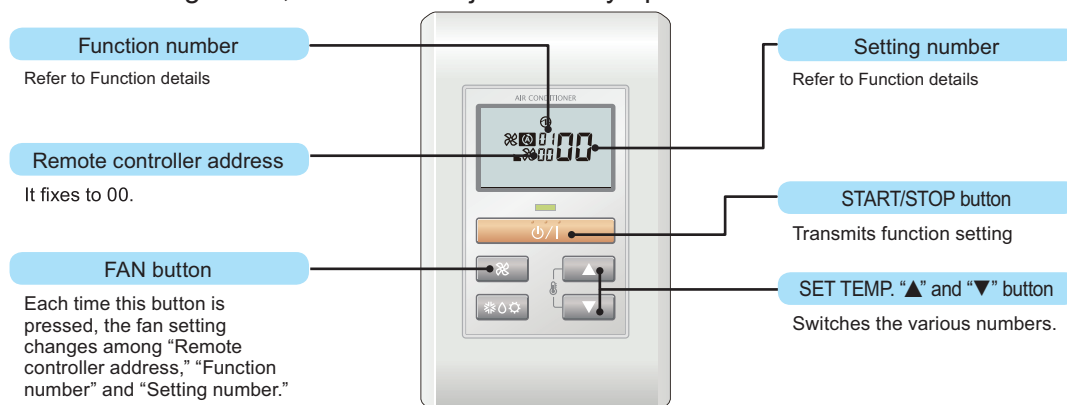
- Piping air tight test and vacuuming have been performed firmly.
- There is no wiring mistake. Then, connect the power supply of the indoor unit.



■ UTY-RSNYM

● Button name and function

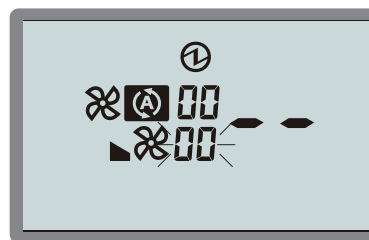
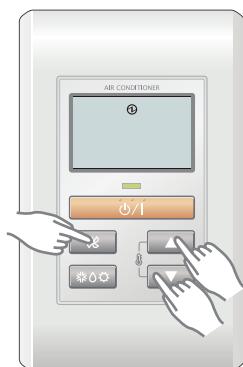
During address setting mode, indoor unit reject the any operation command from remote controller.



● Function setting procedure

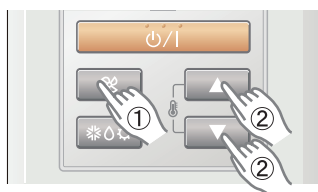
1. Connect the power supply of the outdoor unit.
2. Switch to the function setting mode.

To enter the function setting mode, hold down the 3 buttons of SET TEMP. ▲, SET TEMP. ▼ and FAN at the same time for 5 seconds or longer.

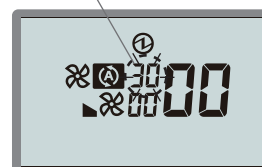


Function setting mode initial display

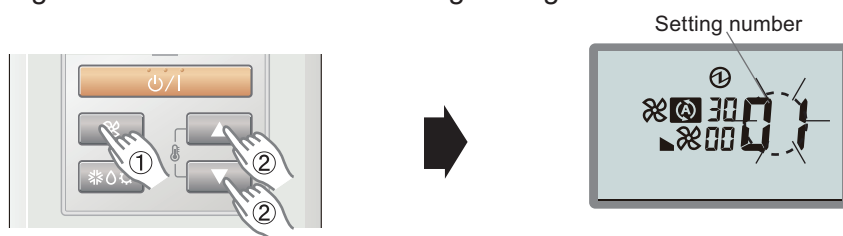
3. Press the FAN button.
The Function number indicator flashes. Then, press either the SET TEMP. ▲ button or the SET TEMP. ▼ button to set up the function number.



Function number

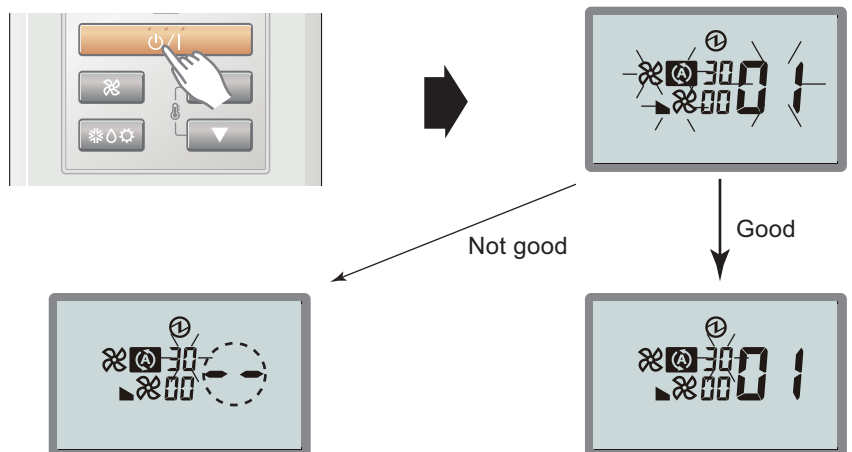


4. Select the setting number by pressing the SET TEMP. ▲ or SET TEMP. ▼ button. The setting number indicator flashes during setting number selection.



Example) Function number : 30, Setting number : 01

5. Confirm the setting by pressing the TIMER SET button. The data will be transferred to the indoor unit.

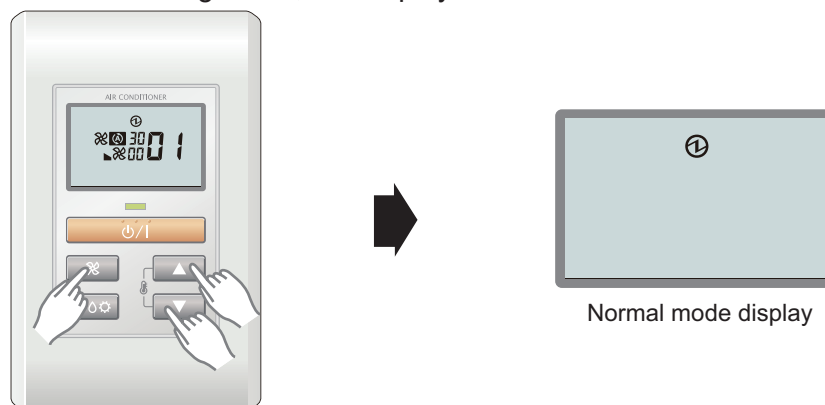


- Data is not set up on the indoor unit correctly (-- is displayed.)
- Set up the data again according to the procedure in step 3, 4 above.

Data is correctly set up on the indoor unit.

Function details: Refer to Chapter 14-5. "[Function details](#)" on page 203.

6. Exit the function setting mode by pressing the 3 buttons of SET TEMP. ▲, SET TEMP. ▼, and FAN at the same time for 5 seconds or longer. After exiting the function setting mode, the display returns to the normal mode.



If no button is pressed within 60 seconds after buttons mentioned above are pressed, it will automatically exit the function setting mode.

If you exit the function setting mode unintentionally during setting, enter the mode again according to the procedure in step 2.

● Setting up each indoor unit

Repeat the procedures from step 1 to 6, and set up the indoor units requiring function setting.

● Resetting the power after setting up function of all indoor units

NOTES:

- If the reset is not performed, function cannot be read correctly.
- After all the functions have been set, the circuit breaker needs to be switched off for at least 2 minutes.
 - After the 2 minutes has passed, power can be restored.
 - The set function is stored in the PCB and will remain in memory even when the power of indoor unit is turned off.
However setting function is effective after disconnecting the power supply and then reconnecting it.
- Record the latest configuration of the indoor unit function setting on a label, and put the label on the unit so it can be used for after-sales service operations.

■ UTY-RSRY/UTY-RHRY

● Setting procedure by using wired remote controller

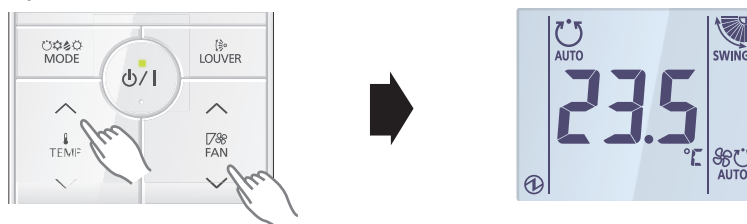
The function number and the associated setting value are displayed on the LCD of the remote controller. Follow the instructions written in the local setup procedure supplied with the remote controller, and select appropriate setting according to the installation environment.

Before connecting the power supply of the indoor unit, reconfirm following items:

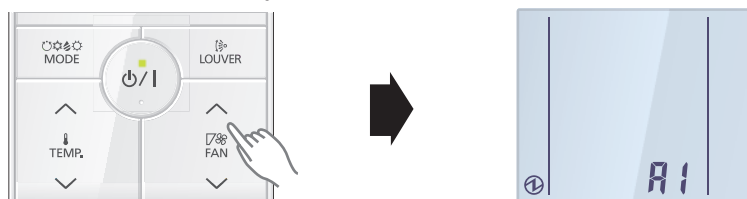
- Piping air tight test and vacuuming have been performed firmly.
- There is no wiring mistake.

NOTE: Set only one Master remote controller.

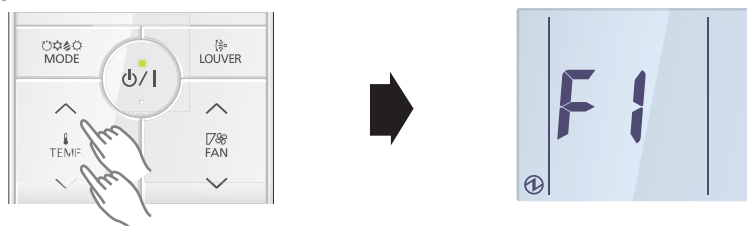
1. Connect the power supply.
2. With "Monitor mode" screen displayed, press and hold the SET TEMP. \wedge button and FAN \vee button simultaneously for at least 2 seconds.



3. The Menu 1 screen is displayed. Press and hold the SET TEMP. \wedge button at least 2 seconds. Setting mode selection screen is displayed.



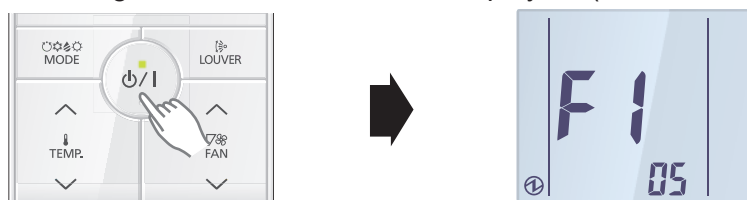
4. Press the SET TEMP. \wedge or SET TEMP. \vee button to select F1 (Menu 2-F1) setting mode or F2 (Menu 2-F2) setting mode.



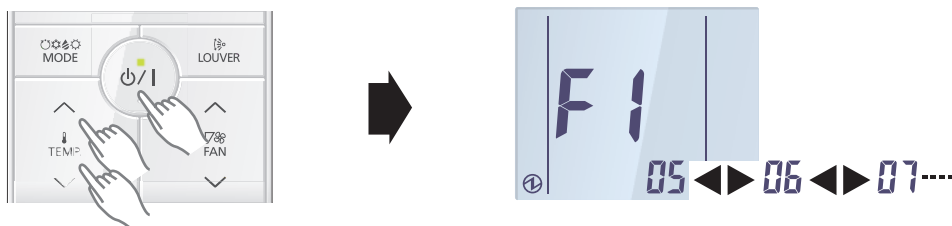
F1: Initial settings mode

F2: Maintenance settings mode

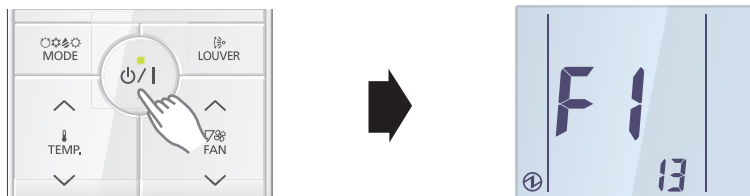
5. Press the ϕ/I button. Setting item selection screen is displayed. (Item No. is displayed.)



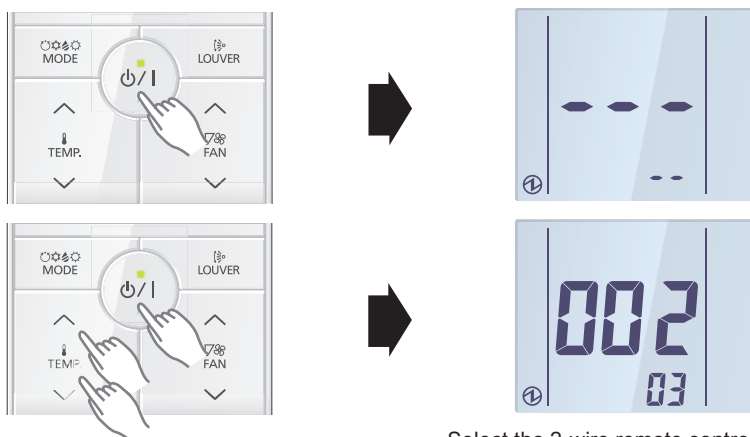
6. Select the item number to be set with the SET TEMP. \wedge or SET TEMP. \vee button, and press the ϕ/I button to switch to the setting screen.



7. Select the "13" in Menu 2-F1 settings. Then, press the ϕ/I button.

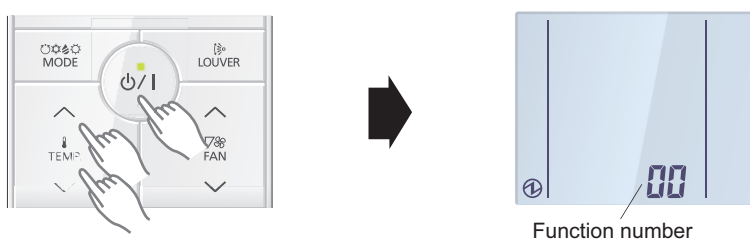


8. Select the 2-wire remote controller address with the SET TEMP. \wedge or SET TEMP. \vee button. Then press the ϕ/I button.

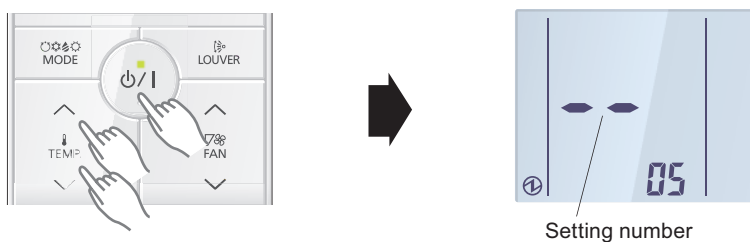


Select the 2-wire remote controller address (Ex. Select the 002-03)

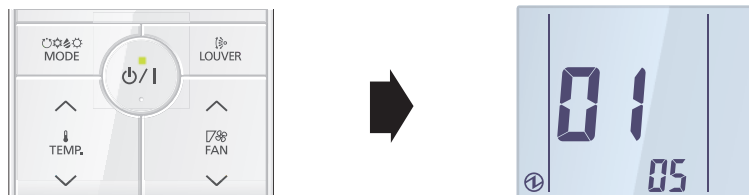
9. Set the function number with the SET TEMP. \wedge or SET TEMP. \vee button. Then press the ϕ/I button.



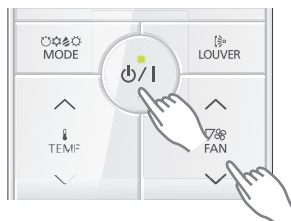
10. Set the setting number with the SET TEMP. \wedge or SET TEMP. \vee button. Then press the ϕ/I button.



11. Setting results are displayed after data transmission.



12. Press the ⏻/⏪ button to return to the 2-wire remote controller address selection screen of step 9. If setting has been completed, press the FAN ▾ button to return to the Menu 2-F1 item selection screen.



● Setting up each indoor unit

Repeat the procedure from step 1 to 6, and set up the indoor units requiring function setting.

● Resetting the power after setting up function of all indoor units

NOTES:

- If the reset is not performed, function cannot be read correctly.
- After all the functions have been set, the circuit breaker needs to be switched off for at least 2 minutes.
 - After the 2 minutes has passed, power can be restored.
 - The set function is stored in the PCB and will remain in memory even when the power of indoor unit is turned off. However setting function is effective after disconnecting the power supply and then reconnecting it.
- Record the latest configuration of the indoor unit function setting on a label, and put the label on the unit so it can be used for after-sales service operations.

14-5. Function details

■ Contents of function setting

Each function setting listed in this section is adjustable in accordance with the installation environment.

NOTE: Setting will not be changed if invalid numbers or setting values are selected.

● Function setting list

| | Function no. | Functions | Compact cassette | Mini duct | Slim duct | Wall mounted | | | Floor |
|-----|--------------|---|------------------|-----------|-----------|--------------|----|----|-------|
| | | | | | | KG | KM | KE | |
| 1) | 00 | Remote controller address setting | — | — | — | ● | ● | ● | — |
| 2) | 11 | Filter sign | ● | ● | ● | ● | ● | ● | ● |
| 3) | 20 | Ceiling height | ● | — | — | — | — | — | — |
| 4) | 22 | Outlet directions | ● | — | — | — | — | — | — |
| 5) | 26 | Static pressure | — | ● | ● | — | — | — | — |
| 6) | 30/31 | Room temperature control for indoor unit sensor | ● | ● | ● | ● | ● | ● | ● |
| 7) | 35/36 | Room temperature control for wired remote controller sensor | ● | ● | ● | ● | ● | ● | — |
| 8) | 40 | Auto restart | ● | ● | ● | ● | ● | ● | ● |
| 9) | 42 | Room temperature sensor switching | ● | ● | ● | ● | ● | ● | ● |
| 10) | 44 | Remote controller custom code | ● | ● | ● | ● | ● | ● | ● |
| 11) | 46 | External input control | ● | ● | ● | ● | ● | ● | ● |
| 12) | 48 | Room temperature sensor switching (Aux.) | ● | ● | ● | ● | ● | ● | — |
| 13) | 49 | Indoor unit fan control for energy saving for cooling | ● | — | ● | ● | ● | ● | — |
| 14) | 60 | Switching functions for external output terminal | ● | ● | ● | ● | — | — | ● |

1) Remote controller address setting

NOTES:

- Because this setting is normally done automatically when 2-wire-type wired remote controller is installed, setting is unnecessary.
- This setting is configurable only by wireless remote controller, but not configurable by Polar 3-wired remote controller.

Multiple indoor units can be operated by using one wired remote controller.

Set the unit number of each indoor unit.

| Function number | Setting value | Setting description | Factory setting |
|-----------------|---------------|---------------------|-----------------|
| 00 | 00 | Unit no. 0 | ◆ |
| | 01 | Unit no. 1 | |
| | 02 | Unit no. 2 | |
| | 03 | Unit no. 3 | |
| | 04 | Unit no. 4 | |
| | 05 | Unit no. 5 | |
| | 06 | Unit no. 6 | |
| | 07 | Unit no. 7 | |
| | 08 | Unit no. 8 | |
| | 09 | Unit no. 9 | |
| | 10 | Unit no. 10 | |
| | 11 | Unit no. 11 | |
| | 12 | Unit no. 12 | |
| | 13 | Unit no. 13 | |
| | 14 | Unit no. 14 | |
| 15 | Unit no. 15 | | |

NOTES:

- When connecting Polar 3-wired remote controller, set the remote controller address in the order of 0, 1, 2,, and 15.
- When different type of indoor units (such as wall mounted type and cassette type, cassette type and duct type, or other combinations) are connected using group control system, some functions may no longer be available.

2) Filter sign

Select appropriate intervals for displaying the filter sign on the indoor unit according to the estimated amount of dust in the air of the room.

If the indication is not required, select "No indication" (03).

| Function number | Setting value | Setting description | Factory setting |
|-----------------|---------------|---------------------|-----------------|
| 11 | 00 | Standard | |
| | 01 | Long interval | |
| | 02 | Short interval | |
| | 03 | No indication | ◆ |

| Setting description | Compact cassette | Mini duct | Slim duct | Wall mounted |
|---------------------|------------------|-----------|-------------|--------------|
| Standard | 2,500 hours | | 400 hours | |
| Long interval | 4,400 hours | | 1,000 hours | |
| Short interval | 1,250 hours | | 200 hours | |

3) Ceiling height

Select the appropriate ceiling height according to the place of installation.

| Function number | Setting value | Setting description | Factory setting |
|-----------------|---------------|---------------------|-----------------|
| 20 | 00 | Standard | ◆ |
| | 01 | High ceiling | |

For the specific height for each setting value, refer to "Installation space" in Chapter 3. "[Dimensions](#)" on page 13.

In case of cassette type models:

The ceiling height values are for the 4-way outlet. Do not change this setting in the 3-way outlet mode.

7,000 or 9,000 Btu/h models cannot be installed in high ceilings. Do not change this setting.

4) Outlet directions

Select the appropriate number of outlet directions according to the installation conditions.

| Function number | Setting value | Setting description | Factory setting |
|-----------------|---------------|---------------------|-----------------|
| 22 | 00 | 4-way | ◆ |
| | 01 | 3-way | |

5) Static pressure (for Mini duct type and Slim duct type)

Select the appropriate static pressure according to the installation conditions.

For mini duct type:

| Function number | Setting value | Setting description | Factory setting |
|-----------------|---------------|---|-----------------|
| 26 | 00 | 0 Pa | |
| | 01 | 10 Pa | |
| | 02 | 20 Pa | |
| | 03 | 30 Pa | |
| | 04 | 40 Pa | |
| | 05 | 50 Pa | |
| | 31 | Standard (10 Pa: 07; 09; 12 types, 15 Pa: 14 type) | ◆ |

NOTES:

- Range of static pressure is different by model.

| Model name | Range of static pressure |
|------------|--------------------------|
| 07 type | 0 to 30 Pa |
| 09 type | |
| 12 type | |
| 14 type | 0 to 50 Pa |

- Setting number in 07, 09, or 12 type is "04 to 30": Operation is same as that "03".
- Setting number in 14 type is "06 to 30": Operation is same as that "05".
- Setting number value cannot be set to 32 or more.

For slim duct type:

| Function number | Setting value | Setting description | Factory setting |
|-----------------|---------------|---------------------|-----------------|
| 26 | 00 | 0 Pa | |
| | 01 | 10 Pa | |
| | 02 | 20 Pa | |
| | 03 | 30 Pa | |
| | 04 | 40 Pa | |
| | 05 | 50 Pa | |
| | 06 | 60 Pa | |
| | 07 | 70 Pa | |
| | 08 | 80 Pa | |
| | 09 | 90 Pa | |
| | 31 | Standard (25 Pa) | ◆ |

6) Room temperature control for indoor unit sensor (For other than Floor type)

Depending on the installed environment, correction of the room temperature sensor may be required. Select the appropriate control setting according to the installed environment.

The temperature of the room temperature sensor is corrected as follows:

Corrected temp. = Temp. of the room temp. sensor - Correction temp. value

Example of correction:

When the temperature of the room temp. sensor is 26°C and the setting value is "03" (-1.0°C), corrected temp. will be 27°C (26°C - [-1.0°C]).

The temperature correction values show the difference from the Standard setting "00" (manufacturer's recommended value).

| Function number | | Setting value | Setting description | Factory setting | |
|---------------------|---------------------|---------------|----------------------|------------------------------|--|
| 30 (For cooling) | 31 (For heating) | 00 | Standard setting | ◆ | |
| | | 01 | No correction 0.0 °C | | |
| | | 02 | -0.5 °C | More cooling Less heating | |
| | | 03 | -1.0 °C | | |
| | | 04 | -1.5 °C | | |
| | | 05 | -2.0 °C | | |
| | | 06 | -2.5 °C | | |
| | | 07 | -3.0 °C | | |
| | | 08 | -3.5 °C | | |
| | | 09 | -4.0 °C | | |
| | | 10 | +0.5 °C | Less cooling More heating | |
| | | 11 | +1.0 °C | | |
| | | 12 | +1.5 °C | | |
| | | 13 | +2.0 °C | | |
| | | 14 | +2.5 °C | | |
| | | 15 | +3.0 °C | | |
| | | 16 | +3.5 °C | | |
| 17 | +4.0 °C | | | | |

7) Room temperature control for wired remote controller sensor (For other than Floor type)

Depending on the installed environment, correction of the wire remote temperature sensor may be required. Select the appropriate control setting according to the installed environment.

To change this setting, set Function 42 to Both "01".

Ensure that the Thermo Sensor icon is displayed on the remote controller screen.

| Function number | | Setting value | Setting description | Factory setting | |
|---------------------|---------------------|---------------|---------------------|------------------------------|--|
| 35 (For cooling) | 36 (For heating) | 00 | Standard setting | ◆ | |
| | | 01 | No correction 0.0°C | | |
| | | 02 | -0.5 °C | More cooling Less heating | |
| | | 03 | -1.0 °C | | |
| | | 04 | -1.5 °C | | |
| | | 05 | -2.0 °C | | |
| | | 06 | -2.5 °C | | |
| | | 07 | -3.0 °C | | |
| | | 08 | -3.5 °C | | |
| | | 09 | -4.0 °C | | |
| | | 10 | +0.5 °C | Less cooling More heating | |
| | | 11 | +1.0 °C | | |
| | | 12 | +1.5 °C | | |
| | | 13 | +2.0 °C | | |
| | | 14 | +2.5 °C | | |
| | | 15 | +3.0 °C | | |
| | | 16 | +3.5 °C | | |
| 17 | +4.0 °C | | | | |

8) Auto restart

Enables or disables automatic restart after a power interruption.

| Function number | Setting value | Setting description | Factory setting |
|-----------------|---------------|---------------------|-----------------|
| 40 | 00 | Enable | ◆ |
| | 01 | Disable | |

NOTE: Auto restart is an emergency function such as for power outage etc. Do not attempt to use this function in normal operation. Be sure to operate the unit by remote controller or external device.

9) Room temperature sensor switching

When using the wired remote controller temperature sensor, change the setting to "Both" (01).

| Function number | Setting value | Setting description | Factory setting |
|-----------------|---------------|---------------------|-----------------|
| 42 | 00 | Indoor unit | ◆ |
| | 01 | Both | |

00: Sensor on the indoor unit is active.

01: Sensors on both indoor unit and wired remote controller are active.

NOTE: Remote controller sensor must be turned on by using the remote controller.

10) Remote controller custom code

(Only for wireless remote controller)

The indoor unit custom code can be changed. Select the appropriate custom code.

| Function number | Setting value | Setting description | Factory setting |
|-----------------|---------------|---------------------|-----------------|
| 44 | 00 | A | ◆ |
| | 01 | B | |
| | 02 | C | |
| | 03 | D | |

11) External input control

"Operation/Stop" mode or "Forced stop" mode can be selected.

| Function number | Setting value | Setting description | Factory setting |
|-----------------|---------------|-----------------------|-----------------|
| 46 | 00 | Operation/Stop mode 1 | ◆ |
| | 01 | (Setting prohibited) | |
| | 02 | Forced stop mode | |
| | 03 | Operation/Stop mode 2 | |

12) Room temperature sensor switching (Aux.)

To use the temperature sensor on the wired remote controller only, change the setting to "Wired remote controller" (01).

This function will only work if the function setting 42 is set at "Both" (01).

When the setting value is set to "Both" (00), more suitable control of the room temperature is possible by setting function setting 30 and 31 too.

| Function number | Setting value | Setting description | Factory setting |
|-----------------|---------------|-------------------------|-----------------|
| 48 | 00 | Both | ◆ |
| | 01 | Wired remote controller | |

13) Indoor unit fan control for energy saving for cooling

Enables or disables the power-saving function by controlling the indoor unit fan rotation when the outdoor unit is stopped during cooling operation.

| Function number | Setting value | Setting description | Factory setting |
|-----------------|---------------|---------------------|-----------------|
| 49 | 00 | Disable | |
| | 01 | Enable | |
| | 02 | Remote controller | ◆ |

00: When the outdoor unit is stopped, the indoor unit fan operates continuously following the setting on the remote controller.

01: When the outdoor unit is stopped, the indoor unit fan operates intermittently at a very low speed.

02: Enable or disable this function by remote controller setting.

NOTES:

- As the factory setting, this setting is initially activated.
- Set to "00" or "01" when connecting a remote controller that cannot set the Fan control for energy saving function or connecting a network converter.
To confirm if the remote controller has this setting, refer to the operating manual of each remote controller.

14) Switching functions for external output terminal (For other than KM and KE models in Wall mounted type)

Functions of the external output terminal can be switched. For details, refer to “External input and output”.

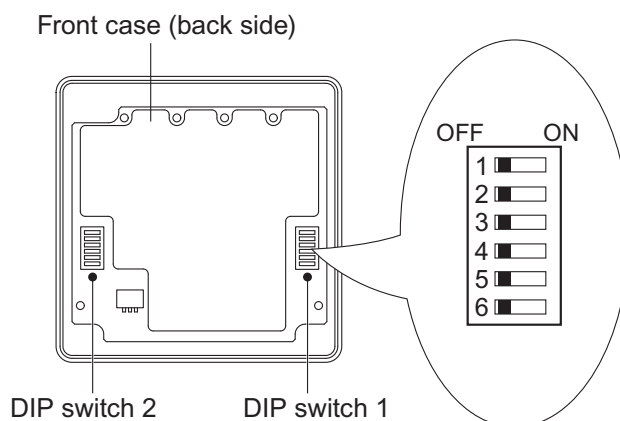
| Function number | Setting value | Setting description | Factory setting |
|-----------------|---------------|----------------------------------|-----------------|
| 60 | 00 | Operation status | ◆ |
| | 01—08 | (Setting prohibited) | |
| | 09 | Error status | |
| | 10 | Indoor unit fan operation status | |
| | 11 | External heater | |

14-6. Wired remote controller (UTY-RNNYM)

| | | |
|--------------|-----|--------------------------------|
| DIP switch 1 | SW1 | Prohibited |
| | SW2 | Dual remote controller setting |
| | SW3 | Prohibited |
| | SW4 | °F/°C switch |
| | SW5 | Prohibited |
| | SW6 | Memory backup setting |

* Do not use DIP switch 2.

Switch location

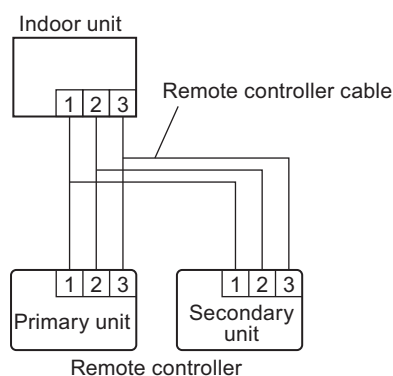


DIP switch 1 setting

● SW2: Dual remote controller setting

Set the remote controller SW2 according to the following table.

| Number of remote controller | Primary unit | Secondary unit | Factory setting |
|-----------------------------|--------------|----------------|-----------------|
| | SW2 | SW2 | |
| 1 (Normal) | OFF | — | ◆ |
| 2 (Dual) | OFF | ON | |



● SW4: Switching temperature unit °F / °C

Displayed temperature unit can be switched between Fahrenheit (°F) and Celsius (°C).

| SW4 | Fahrenheit (°F) / Celsius (°C) | Factory setting |
|-----|--------------------------------|-----------------|
| OFF | °C | ◆ |
| ON | °F | |

● SW6: Memory backup setting

Set to "ON" to use batteries for the memory backup.

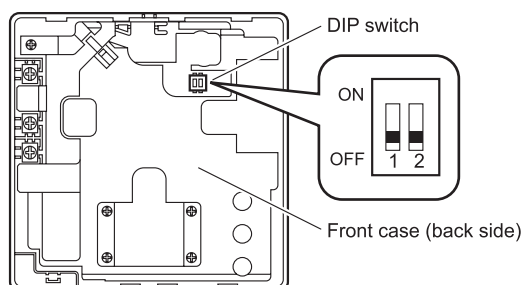
When batteries are not used, all of settings stored in memory will be deleted if there is a power failure.

| SW6 | Memory backup | Factory setting |
|-----|---------------|-----------------|
| OFF | Disable | ◆ |
| ON | Enable | |

14-7. Wired remote controller (UTY-RVNYM)

| | | |
|--------------|-----|--------------------------------|
| DIP switch 1 | SW1 | Memory backup setting |
| | SW2 | Dual remote controller setting |

■ Switch location



■ DIP switch setting

● SW1: Memory backup setting

Set to "ON" to use batteries for the memory backup.

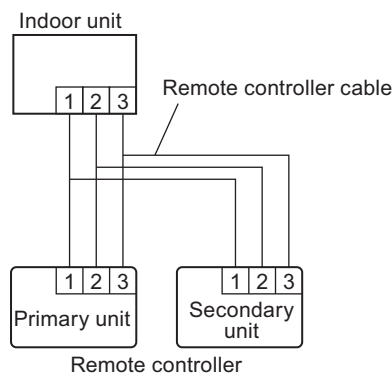
When batteries are not used, all of settings stored in memory will be deleted if there is a power failure.

| SW1 | Memory backup | Factory setting |
|-----|---------------|-----------------|
| OFF | Disable | ◆ |
| ON | Enable | |

● SW2: Dual remote controller setting

Set the remote controller SW2 according to the following table.

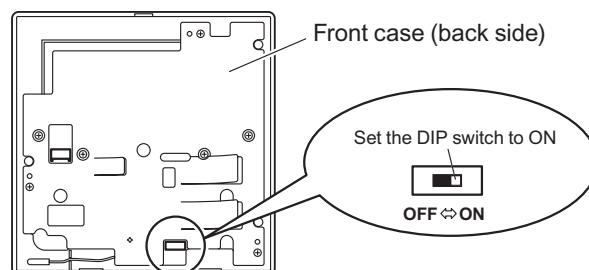
| Number of remote controller | Primary unit | Secondary unit | Factory setting |
|-----------------------------|--------------|----------------|-----------------|
| | SW2 | SW2 | |
| 1 (Normal) | OFF | — | ◆ |
| 2 (Dual) | OFF | ON | |



14-8. Wired remote controller (UTY-RLRY)

| | |
|------------|-----------------------|
| DIP switch | Memory backup setting |
|------------|-----------------------|

■ Switch location



■ Dip switch setting

● SW1: Memory backup setting

Set to "ON" to use batteries for the memory backup.

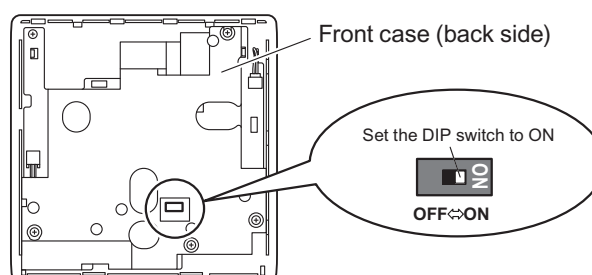
When batteries are not used, all of settings stored in memory will be deleted if there is a power failure.

| SW1 | Memory backup | Factory setting |
|-----|---------------|-----------------|
| OFF | Disable | ◆ |
| ON | Enable | |

14-9. Wired remote controller (UTY-RNRYZ*)

| | |
|------------|-----------------------|
| DIP switch | Memory backup setting |
|------------|-----------------------|

■ Switch location



■ Dip switch setting

● SW1: Memory backup setting

Set to "ON" to use batteries for the memory backup.

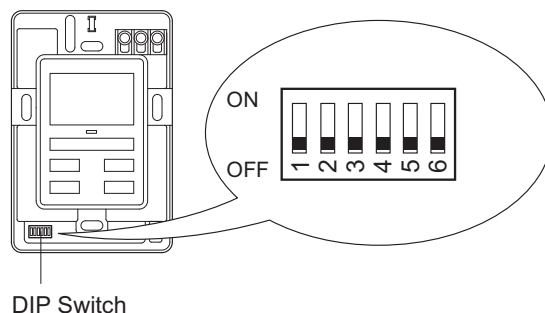
When batteries are not used, all of settings stored in memory will be deleted if there is a power failure.

| SW1 | Memory backup | Factory setting |
|-----|---------------|-----------------|
| OFF | Disable | ◆ |
| ON | Enable | |

14-10. Simple remote controller (UTY-RSNYM)

| | | |
|------------|-----|--------------------------------|
| DIP switch | SW1 | Prohibited |
| | SW2 | Dual remote controller setting |
| | SW3 | °F/°C switch |
| | SW4 | Prohibited |
| | SW5 | Prohibited |
| | SW6 | Prohibited |

Switch location

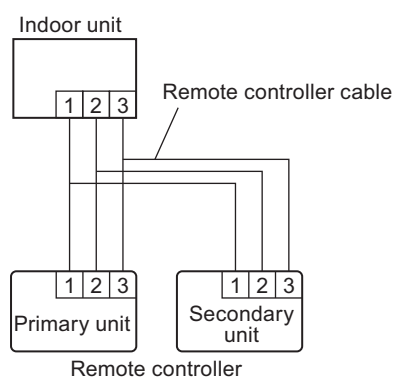


DIP switch setting

● SW2: Dual remote controller setting

Set the remote controller SW2 according to the following table.

| Number of remote controller | Primary unit | Secondary unit | Factory setting |
|-----------------------------|--------------|----------------|-----------------|
| | SW2 | SW2 | |
| 1 (Normal) | OFF | — | ◆ |
| 2 (Dual) | OFF | ON | |



● SW3: Switching temperature unit °F / °C


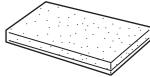
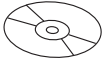


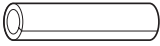
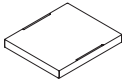
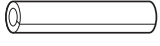




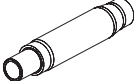
Displayed temperature unit can be switched between Fahrenheit (°F) and Celsius (°C).

| SW3 | Fahrenheit (°F) / Celsius (°C) | Factory setting |
|-----|--------------------------------|-----------------|
| OFF | °C | ◆ |
| ON | °F | |

15. Accessories


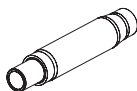
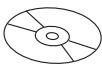





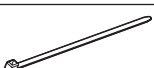
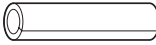
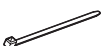
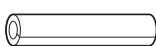
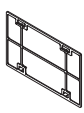
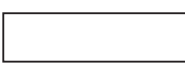
15-1. Compact cassette type

■ Models: AUXG07KVLA, AUXG09KVLA, AUXG12KVLA, and AUXG14KVLA

| Part name | Exterior | Q'ty | Part name | Exterior | Q'ty |
|-------------------------------------|---|------|---------------------------------|---|------|
| Operating manual |  | 1 | Drain hose insulation |  | 1 |
| Operating manual (CD-ROM) |  | 1 | Hose band |  | 1 |
| Installation manual |  | 1 | Coupler heat insulation (large) |  | 1 |
| Template (Carton top) |  | 1 | Coupler heat insulation (small) |  | 1 |
| M10 nut A (with flange) |  | 4 | Cable tie |  | 2 |
| M10 nut B (with spring lock washer) |  | 4 | Wire crammer |  | 1 |
| Drain hose |  | 1 | | | |


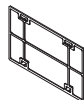
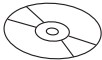
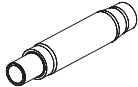


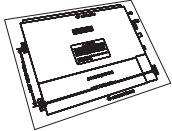


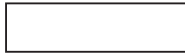
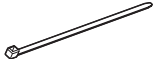
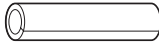

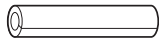
15-2. Mini duct type

■ Models: ARXG07KSLAP, ARXG09KSLAP, ARXG12KSLAP, and ARXG14KSLAP

| Part name | Exterior | Q'ty | Part name | Exterior | Q'ty |
|------------------------------------|--|------|------------------------------------|---|------|
| Operating manual |  | 1 | Drain hose |  | 1 |
| Operating manual (CD-ROM) |  | 1 | Hose band |  | 1 |
| Installation manual |  | 1 | Drain hose insulation B |  | 1 |
| Installation template (Carton top) |  | 1 | Washer |  | 8 |
| Cable tie (large) |  | 4 | Coupler heat insulation (large) |  | 1 |
| Cable tie (medium) |  | 3 | Coupler heat insulation (small) |  | 1 |
| Filter (small) |  | 2 | Insulation (For electrical wiring) |  | 2 |


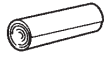
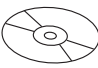
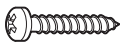


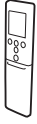
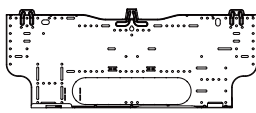
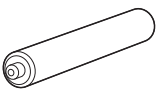


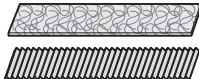
15-3. Slim duct type

■ Models: ARXG07KLLAP, ARXG09KLLAP, ARXG12KLLAP, and ARXG14KLLAP


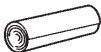
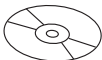




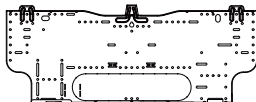
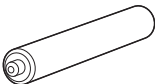


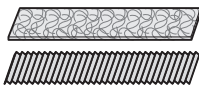
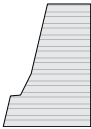
| Part name | Exterior | Q'ty | Part name | Exterior | Q'ty |
|---------------------------|---|------|------------------------------------|---|------|
| Operating manual |  | 1 | Filter (small) |  | 2 |
| Operating manual (CD-ROM) |  | 1 | Drain hose |  | 1 |
| Installation manual |  | 1 | Hose band |  | 1 |
| Installation template |  | 1 | Drain hose insulation B |  | 1 |
| Washer |  | 8 | Insulation (for electrical wiring) |  | 2 |
| Cable tie (large) |  | 4 | Coupler heat insulation (large) |  | 1 |
| Cable tie (medium) |  | 3 | Coupler heat insulation (small) |  | 1 |

15-4. Wall mounted type

■ Models: ASYG07—14KGTB, ASYG07—14KMTB, and ASYG07—14KMCC


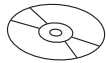

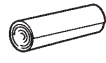
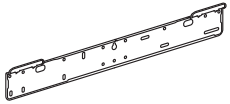

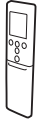


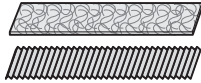

| Part name | Exterior | Q'ty | Part name | Exterior | Q'ty |
|---------------------------|--|------|-----------------------|---|------|
| Operating manual |  | 1 | Cloth tape |  | 1 |
| Operating manual (CD-ROM) |  | 1 | Tapping screw (large) |  | 5 |
| Installation manual |  | 1 | Tapping screw (small) |  | 2 |
| Remote controller |  | 1 | Wall hook bracket |  | 1 |
| Battery |  | 2 | Filter holder |  | 2 |
| Remote controller holder |  | 1 | Air cleaning filters |  | 1 |

■ **Models: ASYG07KETA, ASYG09KETA, ASYG12KETA, ASYG14KETA, ASYG07KETA-B, ASYG09KETA-B, ASYG12KETA-B, and ASYG14KETA-B**

| Part name | Exterior | Q'ty | Part name | Exterior | Q'ty |
|-----------------------------------|---|------|-----------------------|--|------|
| Operating manual |  | 1 | Cloth tape |  | 1 |
| Operating manual (CD-ROM) |  | 1 | Tapping screw (large) |  | 5 |
| Installation manual |  | 1 | Tapping screw (small) |  | 2 |
| Remote controller |  | 1 | Wall hook bracket |  | 1 |
| Battery |  | 2 | Filter holder |  | 2 |
| Remote controller holder |  | 1 | Air cleaning filters |  | 1 |
| Template (for pipe cover cutting) |  | 1 | | | |

15-5. Floor type

■ Models: AGYG09KVCA, AGYG12KVCA, and AGYG14KVCA

| Part name | Exterior | Q'ty | Part name | Exterior | Q'ty |
|--------------------------|--|------|---------------------------|---|------|
| Operating manual |  | 1 | Operating manual (CD-ROM) |  | 1 |
| Installation manual |  | 1 | Cloth tape |  | 1 |
| Wall hook bracket |  | 1 | Tapping screws (large) |  | 9 |
| Remote controller |  | 1 | Tapping screws (small) |  | 2 |
| Battery |  | 2 | Air cleaning filters |  | 1 |
| Remote controller holder |  | 1 | | | |

16. Optional parts

16-1. Controllers

■ Lineup

| Indoor unit type | | Type | | | | | | | | |
|------------------|----|----------------------------|----------|----------|----------|----------|-------------------------|-----------|----------|-----------|
| | | Wireless remote controller | | | | | Wired remote controller | | | |
| | | AR-REM4E | AR-REM7E | AR-REB1E | AR-REW4E | UTY-LNTY | UTY-RNRYZ* | UTY-RVNYM | UTY-RLRY | UTY-RNNYM |
| Compact cassette | | — | — | — | — | ○ | ○ | ○ | ○ | ○ |
| Mini duct | | — | — | — | — | — | ○ | ○ | ○ | ○ |
| Slim duct | | — | — | — | — | — | ○ | ○ | ○ | ○ |
| Wall mounted | KG | ● | — | — | — | — | ○*2 | — | ○*2 | — |
| | KM | — | — | ● | — | — | — | ○*1 | — | ○*1 |
| | KE | — | — | — | ● | — | ○*2 | — | ○*2 | — |
| Floor | | — | ● | — | — | — | ○*3 | — | ○*3 | — |

| Indoor unit type | | Type | | | | |
|------------------|----|---|--|--------------------------|----------|----------|
| | | IR receiver kit with Wireless remote controller | | Simple remote controller | | |
| | | UTY-LBTYM | | UTY-RSNYM | UTY-RSRY | UTY-RHRY |
| Compact cassette | | — | | ○ | ○ | ○ |
| Mini duct | | ○ | | ○ | ○ | ○ |
| Slim duct | | ○ | | ○ | ○ | ○ |
| Wall mounted | KG | — | | — | ○*2 | ○*2 |
| | KM | — | | ○*1 | — | — |
| | KE | — | | — | ○*2 | ○*2 |
| Floor | | — | | — | ○*3 | ○*3 |

●: Accessory, ○: Optional, —: Not applicable

- *1: Optional Communication kit (UTY-TWBXF2) is necessary for the installation.
- *2: Optional Communication kit (UTY-TWRXZ2) is necessary for the installation.
- *3: Optional Communication kit (UTY-TWRXZ3) is necessary for the installation.

Parts

2-UNIT
MULTI-SPLIT TYPE

2-UNIT
MULTI-SPLIT TYPE

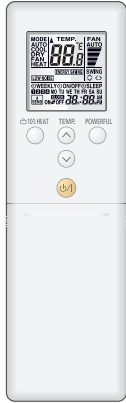
Wireless remote controller



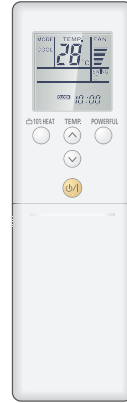
AR-REW4E



AR-REM7E



AR-REM4E

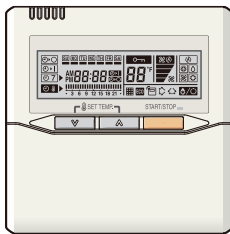


AR-REB1E

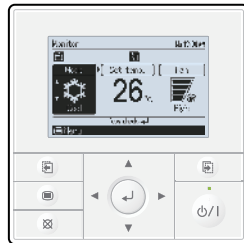


UTY-LNTY

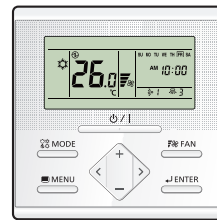
Wired remote controller



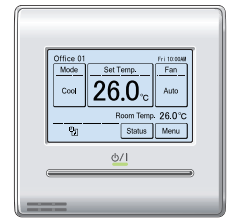
UTY-RNNYM



UTY-RVNYM



UTY-RLRY



UTY-RNRYZ*

IR receiver kit with Wireless remote controller

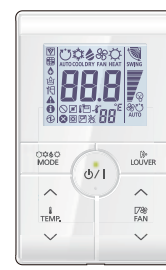


UTY-LBTYM

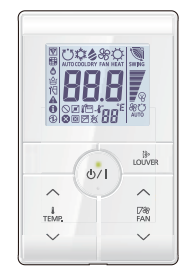
Simple remote controller



UTY-RSNYM



UTY-RSRY



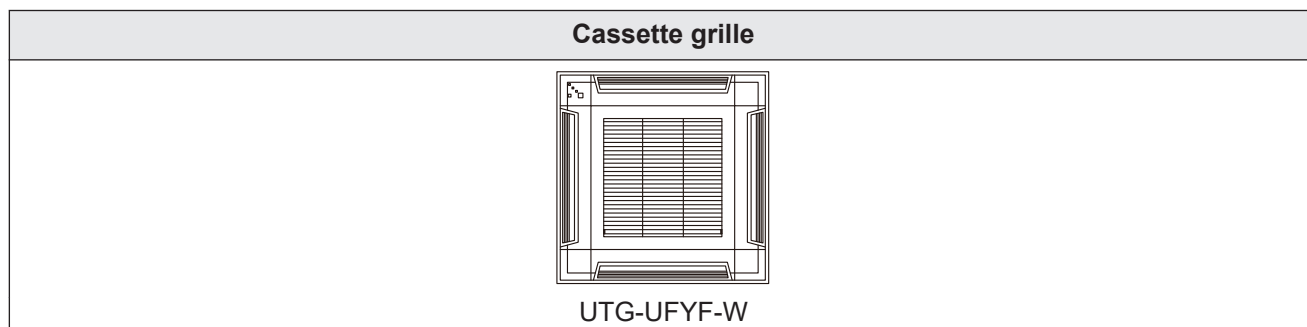
UTY-RHRY

16-2. Cassette grille

■ Lineup

| Indoor unit type | Model |
|------------------|------------|
| Compact cassette | UTG-UFYF-W |

■ Part



16-3. Others

Lineup

| Indoor unit type | | Type | | | | | |
|------------------|----|--------------------------|----------------------------------|----------------------|-------------------------------|----------------------------|------------------------|
| | | Air outlet shutter plate | Insulation kit for high humidity | Fresh air intake kit | External input and output PCB | External switch controller | Auto louver grille kit |
| | | UTR-YDZB | UTZ-KXGC | UTZ-VXAA | UTY-XCSXZ2 | UTY-TERX | UTD-GXTA-W |
| Compact cassette | | ○ | ○ | ○ | — | ○ | — |
| Mini duct | | — | — | — | — | ○ | ○ |
| Slim duct | | — | — | — | — | ○ | ○ |
| Wall mounted | KG | — | — | — | ○ | ○*2 | — |
| | KM | — | — | — | — | ○*1 | — |
| | KE | — | — | — | ○ | ○*2 | — |
| Floor | | — | — | — | — | ○*3 | — |

| Indoor unit type | | Type | | | | | | |
|------------------|----|----------------------|------------|------------|---------------|-------------------|-----------|------------------|
| | | External connect kit | | | KNX converter | Network converter | | MODBUS converter |
| | | UTY-XWZX | UTY-XWZXZ5 | UTY-XWZXZG | UTY-VKSX | UTY-VTGX | UTY-VTGXV | UTY-VMSX |
| Compact cassette | | — | — | ○ | ○ | ○ | ○ | ○ |
| Mini duct | | — | — | ○ | ○ | ○ | ○ | ○ |
| Slim duct | | — | — | ○ | ○ | ○ | ○ | ○ |
| Wall mounted | KG | ○ | — | — | ○ | ○*2 | ○*2 | ○ |
| | KM | — | ○ | — | ○ | ○*1 | ○*1 | ○ |
| | KE | — | ○ | — | ○ | ○*2 | ○*2 | ○ |
| Floor | | — | ○ | — | ○ | ○*3 | ○*3 | ○ |


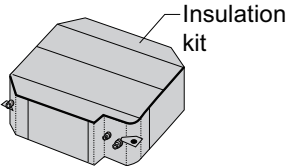
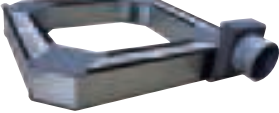
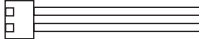



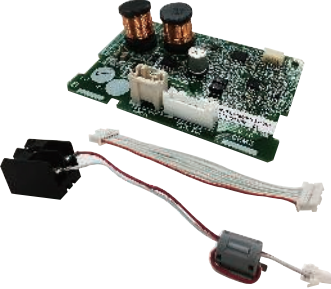
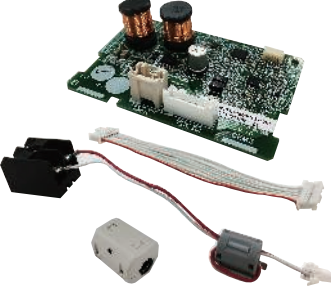


| Indoor unit type | | Type | | | | | | | |
|------------------|----|--------------------|-------------------|------------|------------|------------------------|------------|------------|--------------------|
| | | Remote sensor unit | Communication kit | | | Wireless LAN adapter*4 | | | Half concealed kit |
| | | | UTY-XSZX | UTY-TWBXF2 | UTY-TWRXZ2 | UTY-TWRXZ3 | UTY-TFSXW1 | UTY-TFSXF2 | |
| Compact cassette | | — | — | — | — | — | ○ | — | |
| Mini duct | | ○ | — | — | — | — | ○ | — | |
| Slim duct | | ○ | — | — | — | — | ○ | — | |
| Wall mounted | KG | — | — | ○ | — | ○ | — | — | |
| | KM | — | ○ | — | — | ○ | — | — | |
| | KE | — | — | ○ | — | — | ○ | — | |
| Floor | | — | — | — | ○ | — | ○ | ○ | |






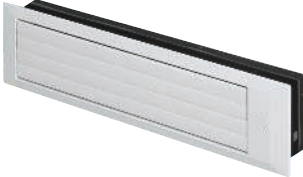



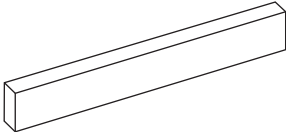
●: Accessory, ○: Optional, —: Not applicable

- *1: Optional Communication kit (UTY-TWBXF2) is necessary for the installation.
- *2: Optional Communication kit (UTY-TWRXZ2) is necessary for the installation.
- *3: Optional Communication kit (UTY-TWRXZ3) is necessary for the installation.
- *4: For details of WLAN control, refer to “Design & Technical manual” or “Setting manual” of WLAN control system.

NOTE: Combined use of MODBUS converter, KNX converter, and Wireless LAN adapter is not allowed.

■ Parts

| | |
|---|---|
| <p>Air outlet shutter plate Model: UTR-YDZB</p> | <p>Insulation kit for high humidity Model: UTZ-KXGC</p> |
|  |  |
| <p>Fresh air intake kit Model: UTZ-VXAA</p> | <p>External connect kit Model: UTY-XWZXZG</p> |
|  |  |
| <p>External connect kit Model: UTY-XWZX</p> | <p>External connect kit Model: UTY-XWZXZ5</p> |
|  |  |
| <p>External input and output PCB Model: UTY-XCSXZ2</p> | <p>Communication kit Model: UTY-TWRXZ2</p> |
|  |  |
| <p>Communication kit Model: UTY-TWRXZ3</p> | <p>Communication kit Model: UTY-TWBXF2</p> |
|  |  |
| <p>MODBUS converter Model: UTY-VMSX</p> | |
|  | |

| | |
|---|---|
| <p>Network converter Model: UTY-VTGX</p> | <p>Network converter Model: UTY-VTGXV</p> |
|  |  |
| <p>KNX converter Model: UTY-VKSX</p> | <p>External switch controller Models: UTY-TERX</p> |
|  |  |
| <p>Remote sensor unit Model: UTY-XSZX</p> | <p>Auto louver grille kit Models: UTD-GXTA-W</p> |
|  |  |
| <p>Wireless LAN adapter Models: UTY-TFSXZ1</p> | <p>Wireless LAN adapter Models: UTY-TFSXW1</p> |
|  |  |
| <p>Wireless LAN adapter Models: UTY-TFSXF2</p> | <p>Half concealed kit Models: UTR-STA</p> |
|  |  |

17. Indoor unit installation precautions

NOTE: The information listed below are general precautions.
Some models also include items that do not apply.

17-1. Places where prohibited for use

- Places where there is a danger of combustible gas leakage.
- Places where sulfur gas, chlorine gas, acid, alkali, or other matter which effects equipment is generated.
- Places where there is a lot of oil splash and steam such as kitchen or machinery room.
- Places where machinery which generates high frequencies is used.
- Ocean beaches and other areas where there is a lot of salt.
- Places where carbon fibers or any kind of powder suspended in the air.
- Inside of vehicles, ships, and other conveyances.
- Places where voltage fluctuations are large such as a factory.

17-2. Points to remember when installing

- The product shall be installed at a place which can withstand the weight and vibration of the indoor.
- To allow maintenance after refrigerant piping, drain piping, and electric wiring connection and installation, provide an installation service space and an inspection port, as required.
*Installation service space is shown on "[Dimensions](#)" on page 13.
- Be careful when installing the unit at the following places.

| Condition | Contents | Countermeasures (Reference) |
|---|--|---|
| When the ceiling is high. | If the indoor unit is installed where the installation height given in the installation manual is exceeded, the temperature difference between the floor and ceiling of the room will be large and the heating effect will be poor. Moreover, even if the indoor unit is installed within the installation height, a similar phenomena will occur when installed in a room in which the doors are opened and closed frequently and hot air circulation is obstructed by furniture such as desks or chairs. | <ol style="list-style-type: none"> 1. Switch the setting to the high ceiling mode. 2. Install a circulator. 3. Arrange the furniture in the room so that it does not obstruct the hot air. |
| When lower level directly contacts the outside air. | When the lower level of the room is a semi-open space such as warehouse or parking lot the surface temperature of the flooring will become low and the radiation of cold from the floor will increase. In this case, even if the room temperature is suitable, you may feel the foot level is cold. | |
| When the airflow distribution is poor. | When an indoor unit is installed in a position where the outlet airflow will directly contact people, a draft may be felt. In addition, when there are obstructions in the path of the intake and outlet airflow, the air distribution may become extremely bad. | <ol style="list-style-type: none"> 1. Adjust the louver fins or take other measures matched to the site. 2. Change the indoor unit outlet. |

| Condition | Contents | Countermeasures (Reference) |
|--|--|--|
| When inside the ceiling is high temperature and high humidity. | When the indoor unit is installed where the inside of the ceiling is 30 °C RH80% or greater, the dew point temperature of the outer perimeter may become higher than the cabinet surface temperature and moisture will condense on the surface of the cabinet and water drops may fall inside the room. (" Figure 17-1 Moist air curve ") In addition, the humidity may vary considerably the same as when the inside of the ceiling is close to hermetically sealed and used as the outside air intake path. | <ol style="list-style-type: none"> 1. Add heat insulating material to the outside of the indoor unit cabinet. *Regarding the cassette type, use of optional High humidity correspondence kit is recommended. 2. Strengthen the heat insulating material of the refrigerant piping and drain piping too. ("Figure 17-2 Work method when reinforcing the heat insulation of on-site piping") 3. When the humidity inside the ceiling changes considerably, install a ventilation port. |
| When using an external duct. | When using an external duct to take in new fresh air, etc., condensation may form on the surface of the duct due to the effect of the outside air temperature and the humidity inside the ceiling. | Always perform heat insulation processing. (Heat insulating material: Glass wool 25 mm thick or more.) |
| When the remote controller installation site is bad. | If the cold or warm air blown out from the air conditioner directly contacts the thermostat section of the remote controller, the outlet temperature of the air conditioner may be sensed and room temperature control will be different from the room temperature, and "not cooled" or "not heated" or other trouble may occur. In addition, there is the possibility that the same kind of trouble may also occur when the remote controller is effected by direct sunlight. | <ol style="list-style-type: none"> 1. Install the remote controller where it will not be directly exposed to the cold or hot air. 2. Install the remote controller where it will not be directly exposed to sunlight or strong lighting. |
| When installation environment is quiet. | When the wall mounted type was installed in a bedroom, living room, or other quiet place, the sound of the refrigerant flow may be sensed as noise and must be taken into account. | <ol style="list-style-type: none"> 1. Plan installation of a model with external expansion valve. 2. Plan installation of a branch box farther from indoor unit. 3. Plan installation using another air conditioner. |
| When installing duct type in ceiling chamber system. | In the case of the ceiling chamber system (duct is not installed at indoor unit inlet side and room air is sucked into the indoor unit through the inside of the ceiling), the thermistor inside the indoor unit may not correctly detect the room temperature. <ul style="list-style-type: none"> • Heating operation: Room is not heated because the indoor unit is easily turned off by the thermostat. • Cooling operation: Room is too cold because the indoor unit is difficult to turn off by the thermostat. | Replace the indoor unit thermistor with optional Remote sensor unit, and install the sensor where the room temperature can be correctly detected. |
| When the outlet air is sucked in at duct type. | Cooling operation does not cool the room and heating operation does not heat the room because the short circuited indoor unit is not turned on by the thermostat. | <ol style="list-style-type: none"> 1. Reconsider the ventilation port construction. 2. Replace the indoor unit thermistor with optional Remote sensor unit, and install the sensor where the room temperature can be correctly detected. |
| When using the wireless remote controller. | Signals may not be received when using it in a room illuminated by an inverter fluorescent lamp. | Turn on the fluorescent lamp and check if the indoor unit receives the signals from the remote controller. If the indoor unit does not receive the signals, consult an authorized service personnel. |
| When installing the inverter type. | It may generate noise in TV sets, stereos and PCs. | The inverter type should be installed at a sufficient distance from these equipments. |

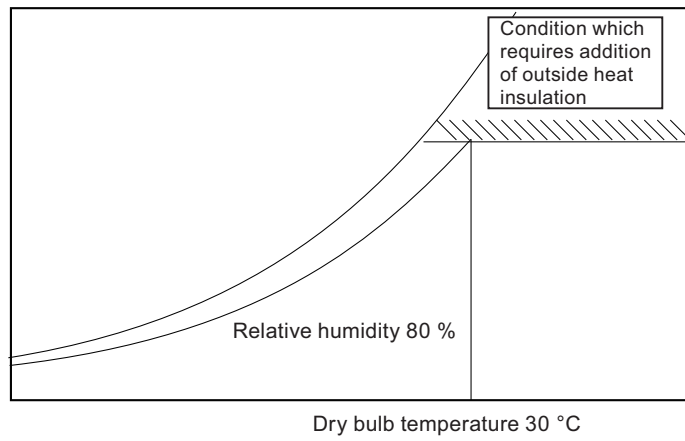


Figure 17-1 **Moist air curve**

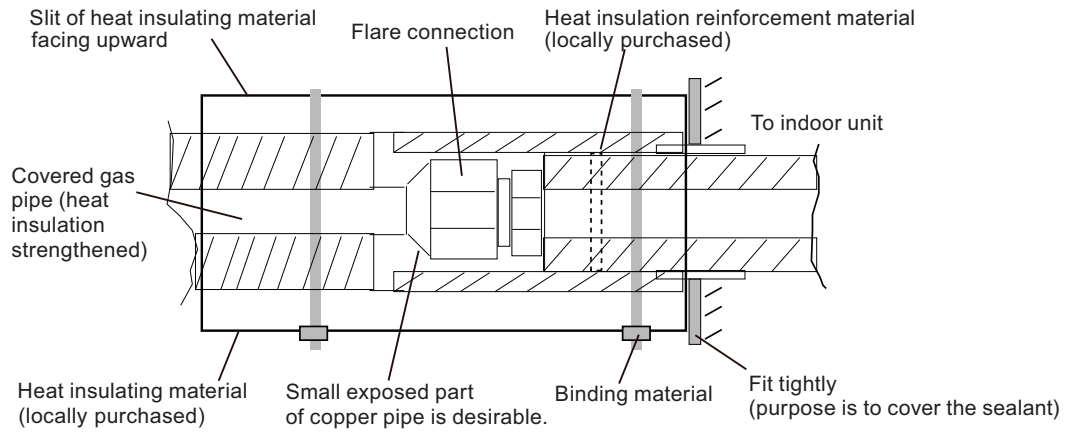


Figure 17-2 **Work method when reinforcing the heat insulation of on-site piping**

Part 2. OUTDOOR UNIT (2 UNITS TYPE)

MULTI-SPLIT TYPE:

AOYG14KBTA2

AOYG18KBTA2

1. Specifications

| Type | | | | Inverter heat pump | |
|---|---|-----------|---|-------------------------------|-------------------------------|
| Model name | | | | AOYG14KBTA2 | AOYG18KBTA2 |
| Power source | | | | 230 V 50 Hz | |
| Available voltage range | | | | 198—264V | |
| Standard combination of indoor unit | | | | Wall mounted ASYG07KGTB ×2 | Wall mounted ASYG09KGTB ×2 |
| Capacity | Cooling | Rated | kW | 4.0 | 5.0 |
| | | | Btu/h | 13,600 | 17,100 |
| | | Min.—Max. | kW | 1.4—4.6 | 1.7—5.8 |
| | | | Btu/h | 4,700—15,700 | 5,800—19,800 |
| | Heating | Rated | kW | 4.4 | 5.6 |
| | | | Btu/h | 15,000 | 19,100 |
| Min.—Max. | | kW | 1.1—5.5 | 1.8—6.6 | |
| | | Btu/h | 3,700—18,800 | 6,100—22,500 | |
| Input power | Cooling | Rated | kW | 0.97 | 1.24 |
| | | Max. | | 1.20 | 1.55 |
| | Heating | Rated | | 0.95 | 1.22 |
| | | Max. | | 1.65 | 1.80 |
| Current | Cooling | Rated | A | 4.7 | 5.6 |
| | Heating | Rated | | 4.7 | 5.6 |
| EER | Cooling | | kW/kW | 4.12 | 4.03 |
| COP | Heating | | | 4.63 | 4.59 |
| Starting current | | | A | 4.7 | 5.6 |
| Maximum operating current *1 | | | A | 10.9 | 11.6 |
| Fan | Type × Q'ty | | Propeller × 1 | | |
| | Airflow rate | Cooling | m ³ /h | 1,670 | 1,960 |
| | | Heating | | 1,670 | 2,020 |
| | Motor output | | W | 23 | 49 |
| Sound pressure level *2 | Cooling | | dB (A) | 47 | 47 |
| | Heating | | | 49 | 50 |
| Heat exchanger | Dimension (H x W x D) | | mm | 504 × 881 × 18.19 | 588 × 881 × 18.19 |
| | Fin pitch | | | 504 × 851 × 18.19 | |
| | | | 1.3 | | |
| | Rows × Stages | | Main1: 1 × 24 Main2: 1 × 24 | | |
| | Pipe type (Material) | | Copper tube | | |
| Fin type (Material) | | Aluminum | | | |
| Compressor | Type × Quantity | | DC rotary × 1 | | DC twin rotary × 2 |
| | Motor output | | W | 900 | 900 |
| Refrigerant | Type | | R32 (675) | | |
| | Charge | | g | 900 | 1,020 |
| Refrigerant oil | Type | | RB68A | | FW68S |
| | Amount | | cm ³ | 340 | 350 |
| Enclosure | Material | | Steel sheet | | |
| | Color | | Beige (Approximate color of Munsell 10YR 7.5/1.0 NN) | | |
| Dimensions (H x W x D) | Net | mm | 542 × 799 × 290 | | 632 × 799 × 290 |
| | Gross | | 602 × 940 × 375 | | 692 × 940 × 375 |
| Weight | Net | kg | 33 | | 37 |
| | Gross | | 37 | | 41 |
| Connection pipe | Size | Liquid | mm (in) | Ø6.35 (Ø1/4) × 2 | |
| | | Gas | | Ø9.52 (Ø3/8) × 2 | |
| | Method | | Flare | | |
| | Pre-charge length (Total) | | 20 | | |
| | Maximum length (Total) | | 30 | | |
| | Maximum length (Each) | | 20 | | |
| | Minimum length (Total) | | 5 | | |
| | Minimum length (Each) | | 2.5 | | |
| | Maximum height difference between outdoor unit and each indoor units. | | 15 | | |
| Maximum height difference between indoor units. | | 10 | | | |
| Operation range | Cooling | °C | -10 to 46 | | |
| | Heating | | -15 to 24 | | |
| NOTES: | | | | | |
| <ul style="list-style-type: none"> Specifications are based on the following conditions: <ul style="list-style-type: none"> Power source of specifications: 230 V Pipe length: 5 m, Height difference: 0 m [Outdoor unit—Indoor unit] Cooling: Indoor temperature of 27.0 °CDB/19.0 °CWB, and outdoor temperature of 35 °CDB/24.0 °CWB. Heating: Indoor temperature of 20.0 °CDB/15.0 °CWB, and outdoor temperature of 7.0 °CDB/6.0 °CWB. *1: Maximum operating current is the total current of the indoor unit and the outdoor unit. *2: Sound pressure level <ul style="list-style-type: none"> Measured values in manufacturer's anechoic chamber. Because of the surrounding sound environment, the sound levels measured in actual installation conditions might be higher than the specified values here. For other combination, refer to the combination table. The protective function might work when using it outside the operation range. | | | | | |

| Specifications for ErP Lot10 | | | | |
|------------------------------|-------------------|---------|------------------|--------------|
| Model name | | | AOYG14KBTA2 | AOYG18KBTA2 |
| Energy efficiency class | Cooling | | A ⁺⁺⁺ | |
| | Heating (Average) | | A ⁺⁺ | |
| Pdesign | Cooling | kW | 4.0 (35 °C) | 5.0 (35 °C) |
| | Heating (Average) | | 3.5 (-10 °C) | 4.2 (-10 °C) |
| SEER | Cooling | kWh/kWh | 8.70 | 8.60 |
| SCOP | Heating (Average) | | 4.70 | 4.70 |
| Annual energy consumption | QCE | | 209 | 263 |
| | QHE (Average) | | 1,296 | 1,434 |
| Sound power level | Cooling | HIGH | dB (A) | 60 |
| | Heating | | | 62 |

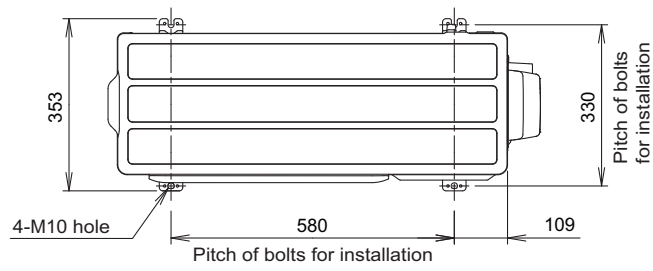
2. Dimensions

2-1. Model: AOYG14KBTA2

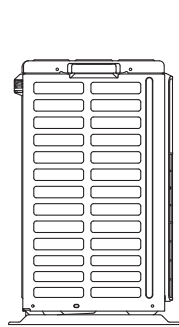
Unit: mm

OUTDOOR UNIT
AOYG14-18KBTA2

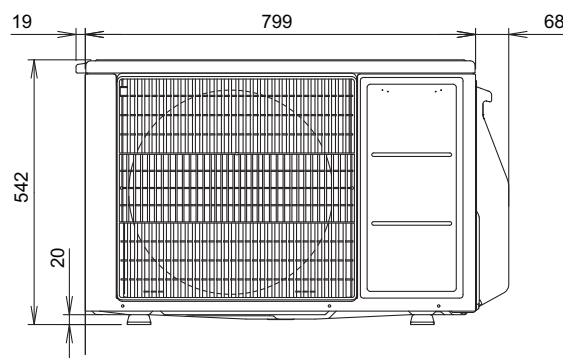
OUTDOOR UNIT
AOYG14-18KBTA2



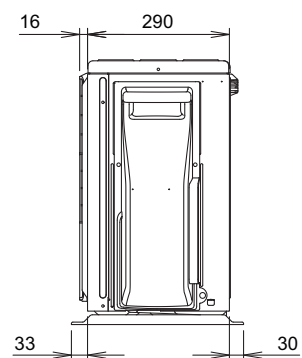
Top view



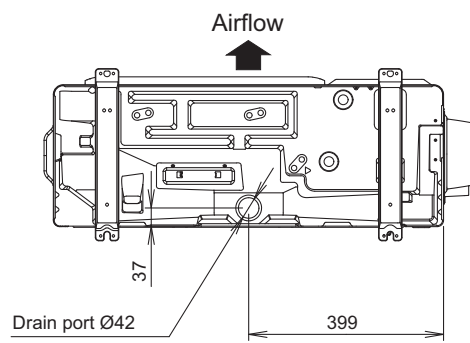
Side view



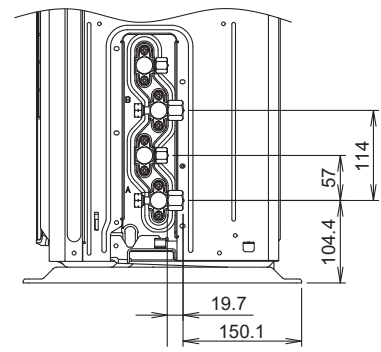
Front view



Side view



Bottom view



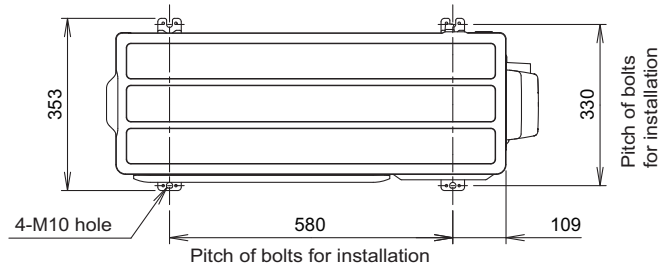
Side view (Valve part)

2-2. Model: AOYG18KBTA2

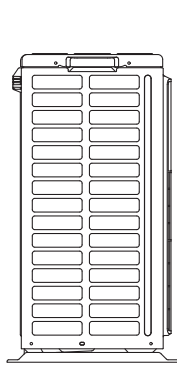
Unit: mm

OUTDOOR UNIT
AOYG14-18KBTA2

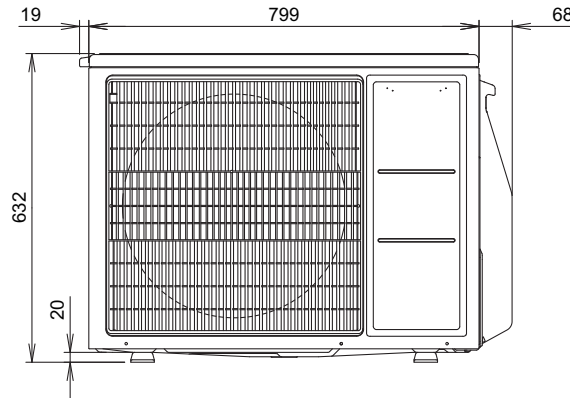
OUTDOOR UNIT
AOYG14-18KBTA2



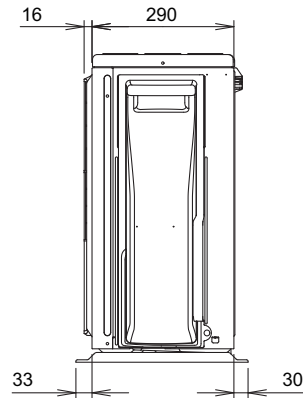
Top view



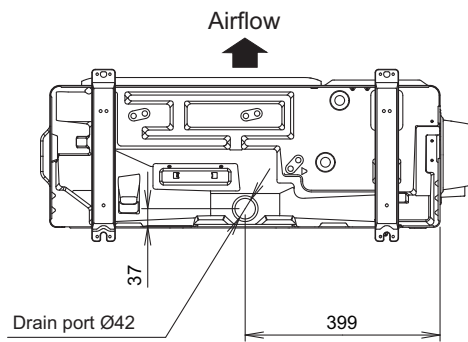
Side view



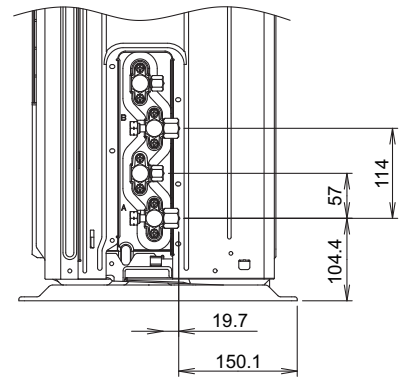
Front view



Side view



Bottom view



Side view (Valve part)

3. Installation space

3-1. Models: AOYG14KBTA2 and AOYG18KBTA2

■ Space requirement

Provide sufficient installation space for product safety.

⚠ CAUTION

Keep the space shown in the installation examples.

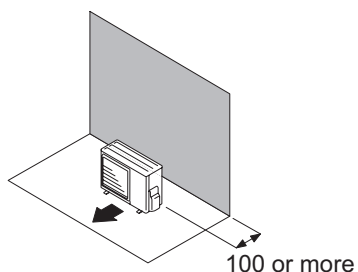
If the installation is not performed accordingly, it could cause a short circuit and result in a lack of operating performance.

● Single outdoor unit installation

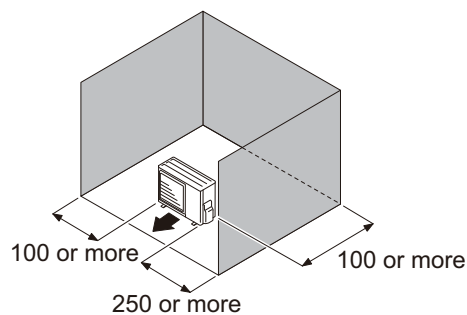
- When the upper space is open:

Unit: mm

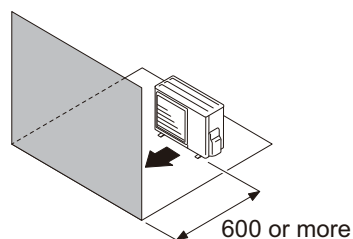
Obstacles at rear only



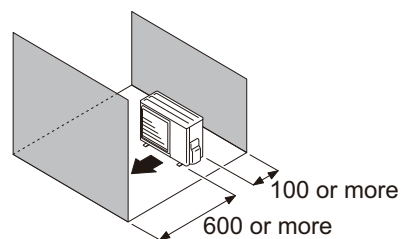
Obstacles at rear and sides



Obstacles at front



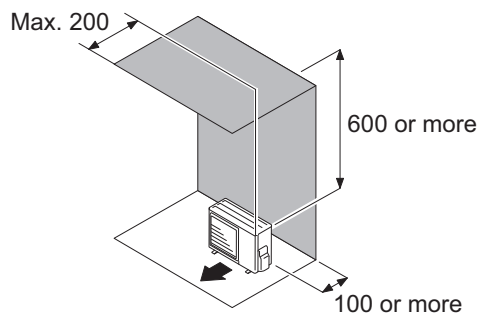
Obstacles at front and rear



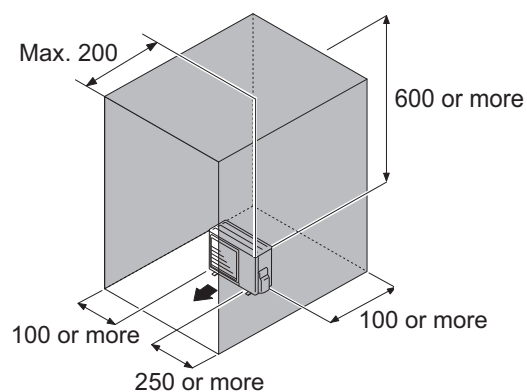
- When an obstruction in the upper space:

Unit: mm

Obstacles at rear and above



Obstacles at rear, sides, and above



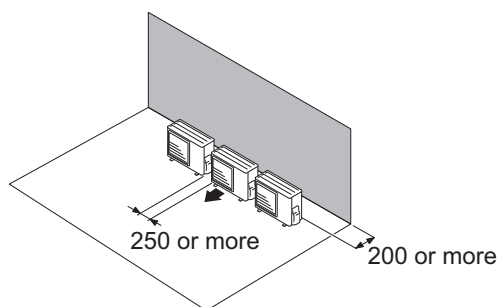
● Multiple outdoor unit installation

- Provide at least 250 mm of space between the outdoor units if multiple units are installed.
- When routing the piping from the side of an outdoor unit, provide space for piping.
- No more than 3 units must be installed side by side.
When 4 units or more are arranged in a line, provide the space as shown in the following example **“When an obstruction in the upper space:”**.

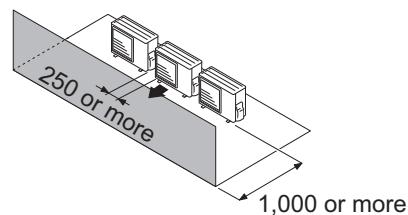
- **When the upper space is open:**

Unit: mm

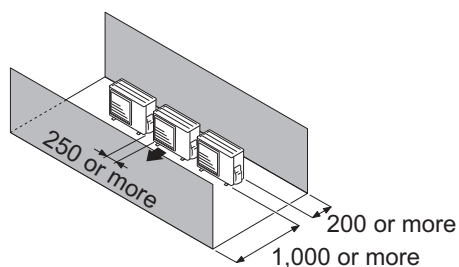
Obstacles at rear only



Obstacles at front only



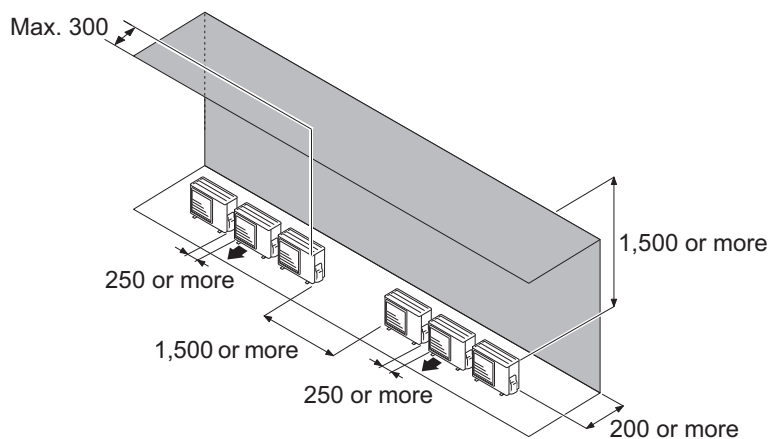
Obstacles at front and rear



- **When an obstruction in the upper space:**

Unit: mm

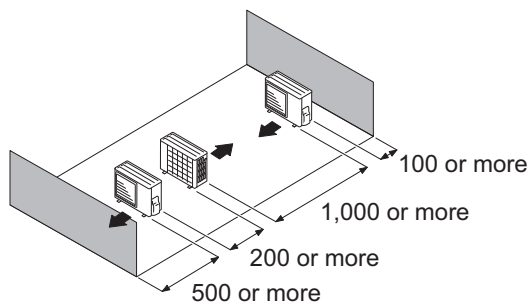
Obstacles at rear and above.



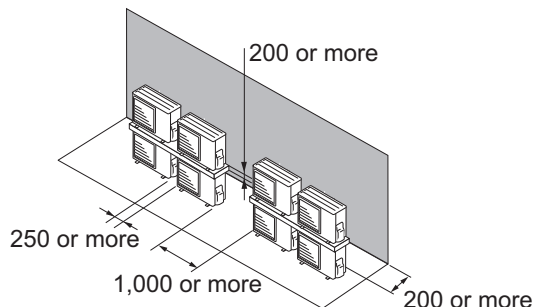
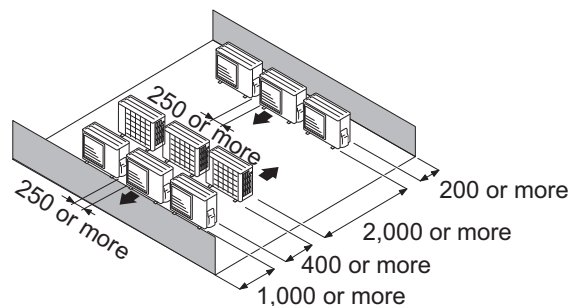
● Outdoor units installation in multi-row

Unit: mm

Single parallel unit arrangement



Multiple parallel unit arrangement

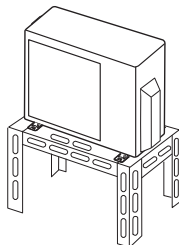


NOTES:

- If the space is larger than stated above, the condition will be the same as when there is no obstacle.
- When installing the outdoor unit, be sure to open the front and left side to obtain better operation efficiency.

⚠ CAUTION

- Do not install the outdoor unit in two-stage where the drain water could freeze. Otherwise the drainage from the upper unit may form ice and cause a malfunction of the lower unit.
- When the outdoor temperature is 0 °C or less, do not use the accessory drain pipe and drain cap. If the drain pipe and drain cap are used, the drain water in the pipe may freeze in extremely cold climate. (For reverse cycle model only.)
- In area with heavy snowfall, if the inlet and outlet of the outdoor unit is blocked with snow, it might become difficult to get warm, and it is likely to cause product malfunction. Construct a canopy and a pedestal, or place the unit on a high stand that is locally installed.

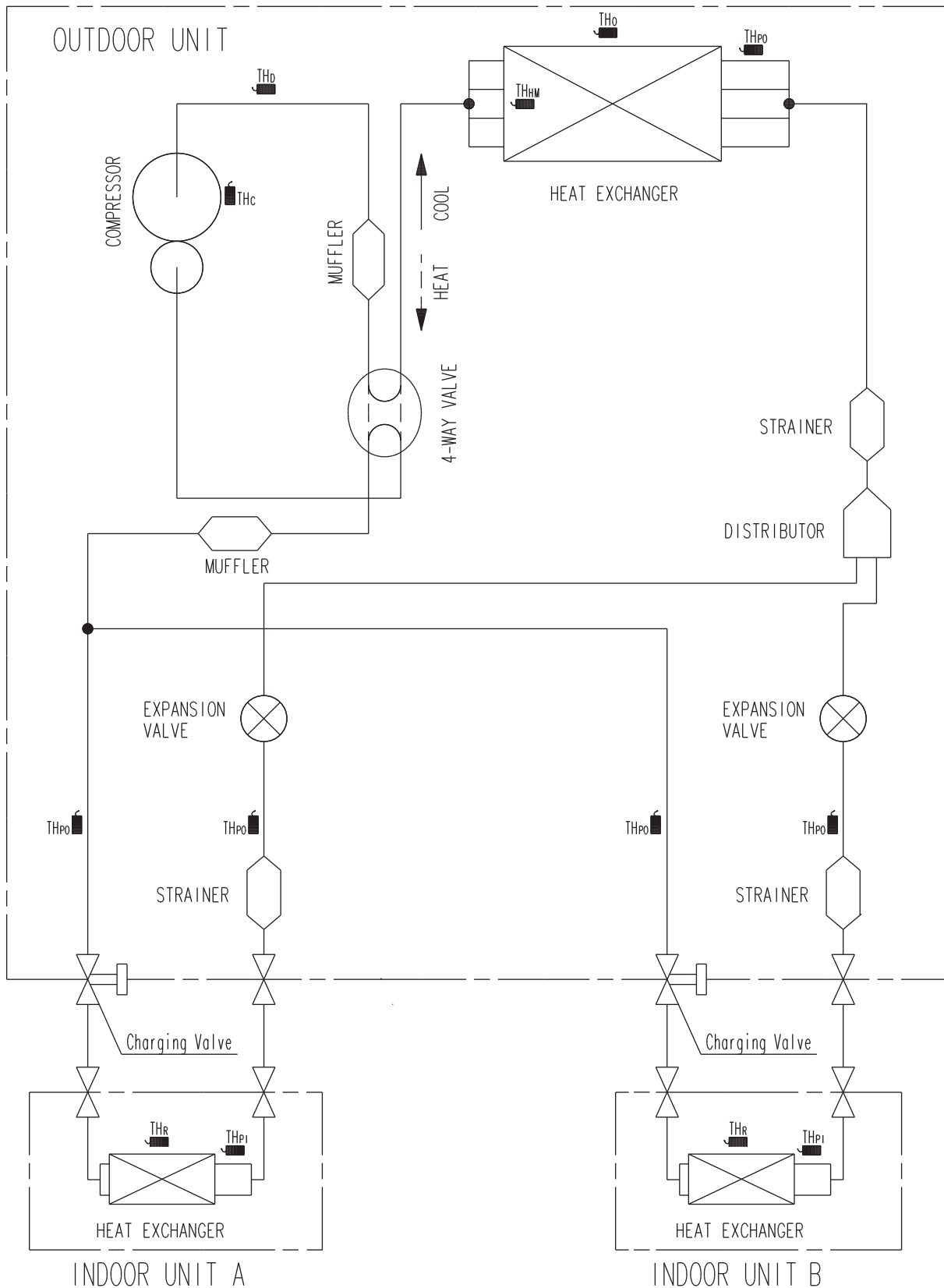


4. Refrigerant circuit

4-1. Model: AOYG14KBTA2

OUTDOOR UNIT
AOYG14-18KBTA2

OUTDOOR UNIT
AOYG14-18KBTA2



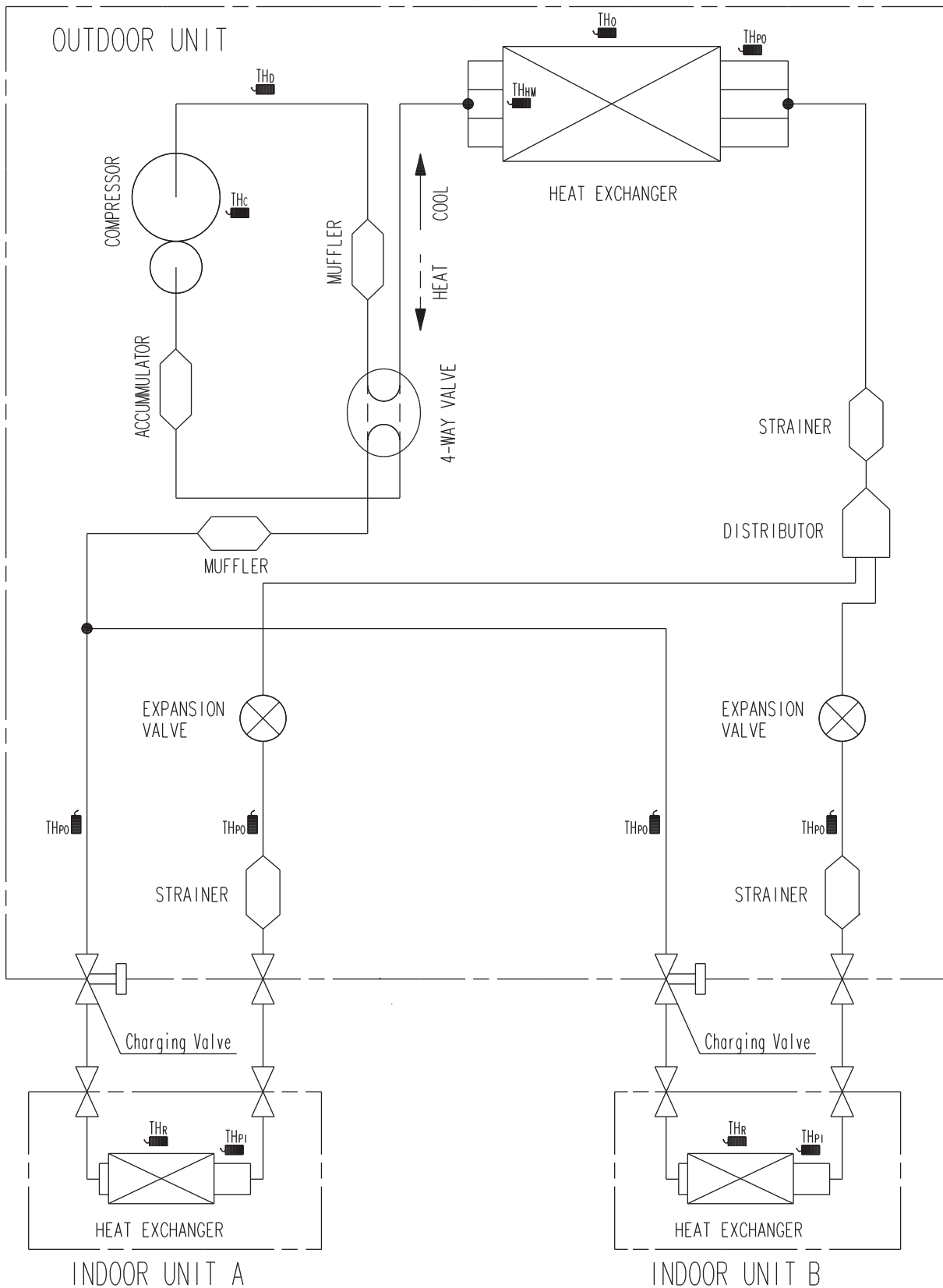
- TH_c : THERMISTOR (COMPRESSOR TEMP.)
- TH_o : THERMISTOR (DISCHARGE TEMP.)
- TH_o : THERMISTOR (OUTDOOR TEMP.)
- TH_{po} : THERMISTOR (PIPE TEMP.)
- TH_m : THERMISTOR (HEAT EXCHANGER MIDDLE TEMP.)
- TH_c : THERMISTOR (COMPRESSOR TEMP.)

- TH_r : THERMISTOR (ROOM TEMP.)
- TH_{p1} : THERMISTOR (PIPE TEMP.)

4-2. Model: AOYG18KBTA2

OUTDOOR UNIT
AOYG14-18KBTA2

OUTDOOR UNIT
AOYG14-18KBTA2



TH_d : THERMISTOR(DISCHARGE TEMP.)
 TH_o : THERMISTOR(OUTDOOR TEMP.)
 TH_{po} : THERMISTOR(PIPE TEMP.)
 TH_{Hm} : THERMISTOR(HEAT EXCHANGER MIDDLE TEMP.)

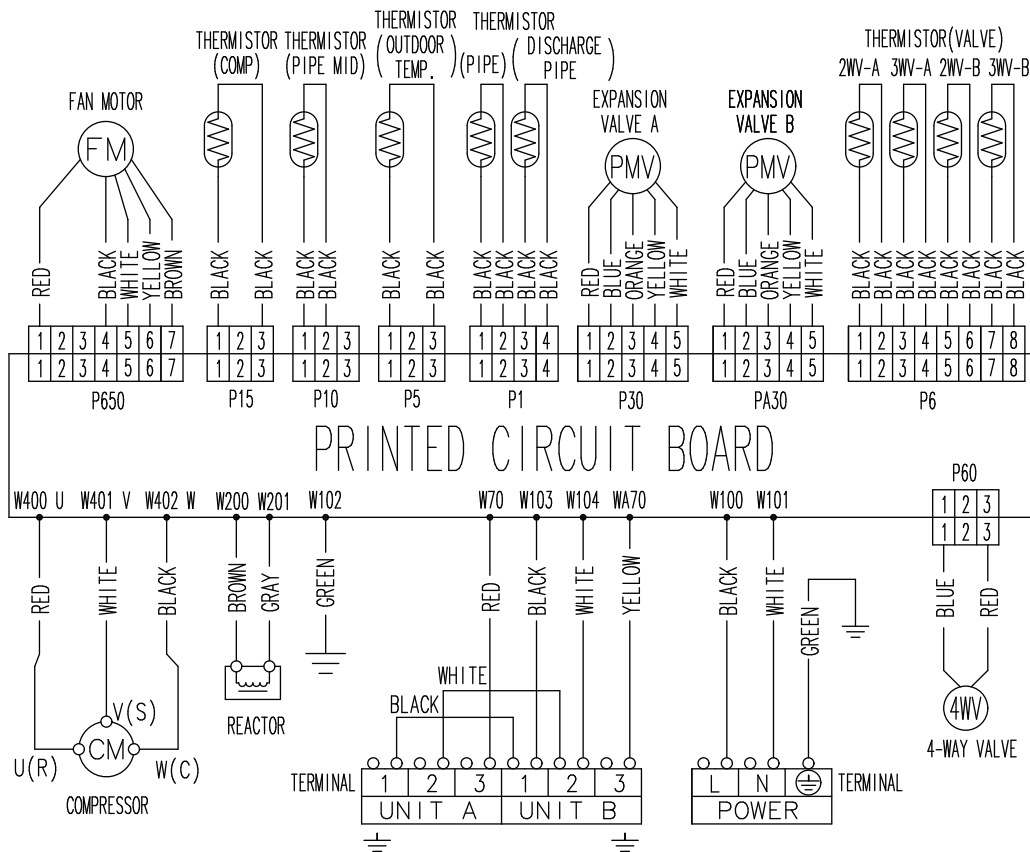
TH_r : THERMISTOR(ROOM TEMP.)
 TH_{pi} : THERMISTOR(PIPE TEMP.)
 TH_c : THERMISTOR(COMPRESSOR TEMP.)

5. Wiring diagram

5-1. Model: AOYG14KBTA2

OUTDOOR UNIT
AOYG14-18KBTA2

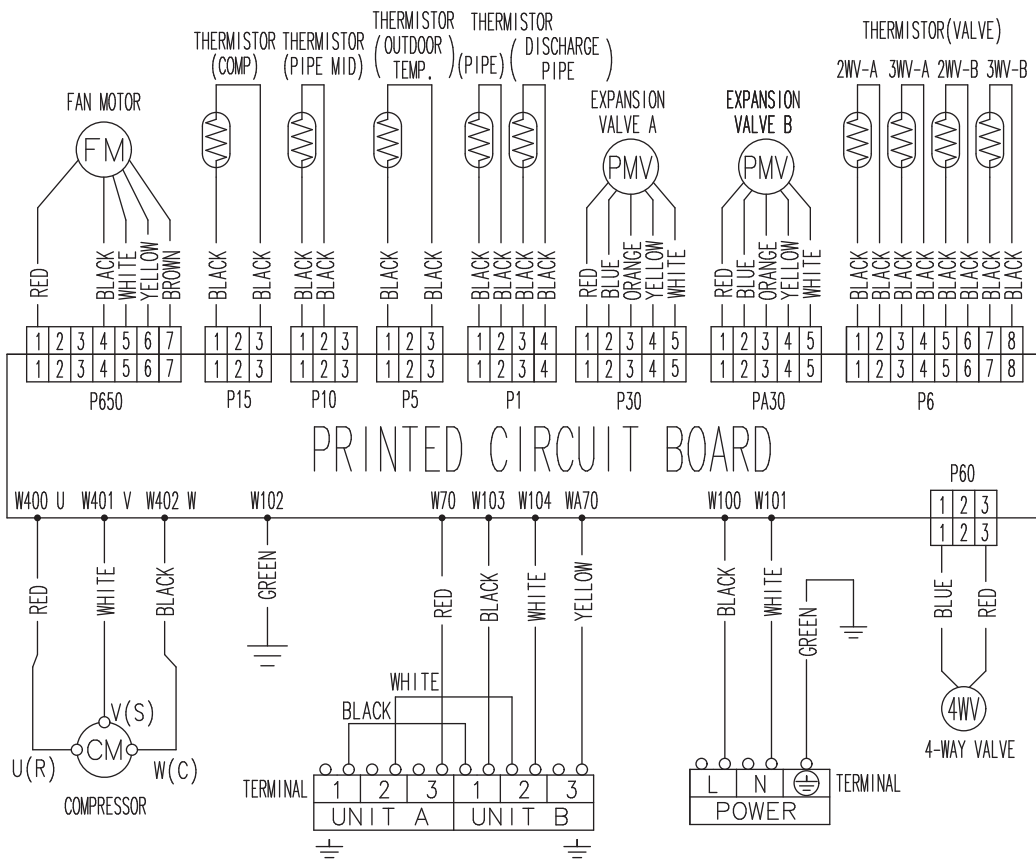
OUTDOOR UNIT
AOYG14-18KBTA2



5-2. Model: AOYG18KBTA2

OUTDOOR UNIT
AOYG14-18KBTA2

OUTDOOR UNIT
AOYG14-18KBTA2



6. Capacity table

6-1. Combinations

■ Model: AOYG14KBTA2

● Cooling

| Combination of indoor unit | | | Rated capacity for each indoor unit (kW) | | Total capacity (kW) | | | Input power (kW) | | | EER (W/W) | Seasonal data | | |
|----------------------------|----|-------|--|------|---------------------|-------|------|------------------|-------|------|-----------|---------------|----------------|-------------------------|
| Unit | | Total | Unit | | Min. | Rated | Max. | Min. | Rated | Max. | | Pdesign (kW) | SEER (kWh/kWh) | Energy efficiency class |
| 1 | 2 | | 1 | 2 | | | | | | | | | | |
| 7 | 7 | 14 | 2.00 | 2.00 | 1.4 | 4.00 | 4.6 | 0.25 | 0.97 | 1.20 | 4.12 | 4.0 | 8.7 | A+++ |
| 7 | 9 | 16 | 1.75 | 2.25 | 1.4 | 4.00 | 4.6 | 0.25 | 0.97 | 1.20 | 4.12 | 4.0 | 8.7 | A+++ |
| 7 | 12 | 19 | 1.47 | 2.53 | 1.4 | 4.00 | 4.6 | 0.25 | 0.97 | 1.20 | 4.12 | 4.0 | 8.7 | A+++ |
| 9 | 9 | 18 | 2.00 | 2.00 | 1.4 | 4.00 | 4.6 | 0.25 | 0.97 | 1.20 | 4.12 | 4.0 | 8.7 | A+++ |
| 9 | 12 | 21 | 1.71 | 2.29 | 1.4 | 4.00 | 4.6 | 0.25 | 0.97 | 1.20 | 4.12 | 4.0 | 8.7 | A+++ |

NOTES:

- 7: 7,000 Btu/h, 9: 9,000 Btu/h, 12: 12,000 Btu/h
- The above is the value for connecting with KG models in wall mounted type.
- 2 or more indoor units should be connected.
- Cooling: Indoor temperature of 27 °CDB/19 °CWB and outdoor temperature of 35 °CDB.
- Pipe length: 5 m, Height difference: 0 m (Outdoor unit—Indoor unit)
- The total ability of connected indoor unit is from 14,000 Btu/h up to 21,000 Btu/h.

● Heating

| Combination of indoor unit | | | Rated capacity for each indoor unit (kBtu/h) | | Total capacity (kBtu/h) | | | Input power (kW) | | | COP (W/W) | Seasonal data | | |
|----------------------------|----|-------|--|------|-------------------------|-------|------|------------------|-------|------|-----------|---------------|----------------|-------------------------|
| Unit | | Total | Unit | | Min. | Rated | Max. | Min. | Rated | Max. | | Pdesign (kW) | SCOP (kWh/kWh) | Energy efficiency class |
| 1 | 2 | | 1 | 2 | | | | | | | | | | |
| 7 | 7 | 14 | 2.20 | 2.20 | 1.1 | 4.40 | 5.5 | 0.25 | 0.95 | 1.65 | 4.63 | 3.5 | 4.7 | A++ |
| 7 | 9 | 16 | 1.92 | 2.48 | 1.1 | 4.40 | 5.5 | 0.25 | 0.95 | 1.65 | 4.63 | 3.5 | 4.7 | A++ |
| 7 | 12 | 19 | 1.62 | 2.78 | 1.1 | 4.40 | 5.5 | 0.25 | 0.95 | 1.65 | 4.63 | 3.5 | 4.7 | A++ |
| 9 | 9 | 18 | 2.20 | 2.20 | 1.1 | 4.40 | 5.5 | 0.25 | 0.95 | 1.65 | 4.63 | 3.5 | 4.7 | A++ |
| 9 | 12 | 21 | 1.89 | 2.51 | 1.1 | 4.40 | 5.5 | 0.25 | 0.95 | 1.65 | 4.63 | 3.5 | 4.7 | A++ |

NOTES:

- 7: 7,000 Btu/h, 9: 9,000 Btu/h, 12: 12,000 Btu/h
- The above is the value for connecting with KG models in wall mounted type.
- 2 or more indoor units should be connected.
- Heating: Indoor temperature of 20 °CDB, and outdoor temperature of 7 °CDB/6 °CWB.
- Pipe length: 5 m, Height difference: 0 m (Outdoor unit—Indoor unit)
- The total ability of connected indoor unit is from 14,000 Btu/h up to 21,000 Btu/h.

Model: AOYG18KBTA2

● Cooling

| Combination of indoor unit | | | Rated capacity for each indoor unit (kW) | | Total capacity (kW) | | | Input power (kW) | | | EER (W/W) | Seasonal data | | |
|----------------------------|----|-------|--|------|---------------------|-------|------|------------------|-------|------|-----------|---------------|----------------|-------------------------|
| Unit | | Total | Unit | | Min. | Rated | Max. | Min. | Rated | Max. | | Pdesign (kW) | SEER (kWh/kWh) | Energy efficiency class |
| 1 | 2 | | 1 | 2 | | | | | | | | | | |
| 7 | 7 | 14 | 2.00 | 2.00 | 1.7 | 4.00 | 5.0 | 0.25 | 0.92 | 1.23 | 4.35 | 4.0 | 8.8 | A+++ |
| 7 | 9 | 16 | 2.00 | 2.50 | 1.7 | 4.50 | 5.7 | 0.25 | 1.07 | 1.45 | 4.22 | 4.5 | 8.7 | A+++ |
| 7 | 12 | 19 | 1.84 | 3.16 | 1.7 | 5.00 | 5.8 | 0.25 | 1.24 | 1.55 | 4.03 | 5.0 | 8.6 | A+++ |
| 7 | 14 | 21 | 1.67 | 3.33 | 1.7 | 5.00 | 5.8 | 0.25 | 1.24 | 1.55 | 4.03 | 5.0 | 8.6 | A+++ |
| 9 | 9 | 18 | 2.50 | 2.50 | 1.7 | 5.00 | 5.8 | 0.25 | 1.24 | 1.55 | 4.03 | 5.0 | 8.6 | A+++ |
| 9 | 12 | 21 | 2.14 | 2.86 | 1.7 | 5.00 | 5.8 | 0.25 | 1.24 | 1.55 | 4.03 | 5.0 | 8.6 | A+++ |
| 9 | 14 | 23 | 1.96 | 3.04 | 1.7 | 5.00 | 5.8 | 0.25 | 1.24 | 1.55 | 4.03 | 5.0 | 8.6 | A+++ |
| 12 | 12 | 24 | 2.50 | 2.50 | 1.7 | 5.00 | 5.8 | 0.25 | 1.24 | 1.55 | 4.03 | 5.0 | 8.6 | A+++ |
| 12 | 14 | 26 | 2.31 | 2.69 | 1.7 | 5.00 | 5.8 | 0.25 | 1.24 | 1.55 | 4.03 | 5.0 | 8.6 | A+++ |

NOTES:

- 7: 7,000 Btu/h, 9: 9,000 Btu/h, 12: 12,000 Btu/h, 14: 14,000 Btu/h
- The above is the value for connecting with KG models in wall mounted type.
- 2 or more indoor units should be connected.
- Cooling: Indoor temperature of 27 °CDB/19 °CWB and outdoor temperature of 35 °CDB.
- Pipe length: 5 m, Height difference: 0 m (Outdoor unit—Indoor unit)
- The total ability of connected indoor units is from 14,000 Btu/h up to 26,000 Btu/h.

● Heating

| Combination of indoor unit | | | Rated capacity for each indoor unit (kW) | | Total capacity (kW) | | | Input power (kW) | | | COP (W/W) | Seasonal data | | |
|----------------------------|----|-------|--|------|---------------------|-------|------|------------------|-------|------|-----------|---------------|----------------|-------------------------|
| Unit | | Total | Unit | | Min. | Rated | Max. | Min. | Rated | Max. | | Pdesign (kW) | SEER (kWh/kWh) | Energy efficiency class |
| 1 | 2 | | 1 | 2 | | | | | | | | | | |
| 7 | 7 | 14 | 2.40 | 2.40 | 1.70 | 4.80 | 5.60 | 0.25 | 0.99 | 1.35 | 4.85 | 3.8 | 4.7 | A++ |
| 7 | 9 | 16 | 2.40 | 3.00 | 1.70 | 5.40 | 6.40 | 0.25 | 1.15 | 1.60 | 4.70 | 4.0 | 4.7 | A++ |
| 7 | 12 | 19 | 2.06 | 3.54 | 1.70 | 5.60 | 7.00 | 0.25 | 1.22 | 1.80 | 4.59 | 4.2 | 4.7 | A++ |
| 7 | 14 | 21 | 1.87 | 3.73 | 1.70 | 5.60 | 7.00 | 0.25 | 1.22 | 1.80 | 4.59 | 4.2 | 4.7 | A++ |
| 9 | 9 | 18 | 2.80 | 2.80 | 1.70 | 5.60 | 7.00 | 0.25 | 1.22 | 1.80 | 4.59 | 4.2 | 4.7 | A++ |
| 9 | 12 | 21 | 2.40 | 3.20 | 1.70 | 5.60 | 7.00 | 0.25 | 1.22 | 1.80 | 4.59 | 4.2 | 4.7 | A++ |
| 9 | 14 | 23 | 2.19 | 3.41 | 1.70 | 5.60 | 7.00 | 0.25 | 1.22 | 1.80 | 4.59 | 4.2 | 4.7 | A++ |
| 12 | 12 | 24 | 2.80 | 2.80 | 1.70 | 5.60 | 7.00 | 0.25 | 1.22 | 1.80 | 4.59 | 4.2 | 4.7 | A++ |
| 12 | 14 | 26 | 2.58 | 3.02 | 1.70 | 5.60 | 7.00 | 0.25 | 1.22 | 1.80 | 4.59 | 4.2 | 4.7 | A++ |

NOTES:

- 7: 7,000 Btu/h, 9: 9,000 Btu/h, 12: 12,000 Btu/h, 14: 14,000 Btu/h
- The above is the value for connecting with KG models in wall mounted type.
- 2 or more indoor units should be connected.
- Heating: Indoor temperature of 20 °CDB, and outdoor temperature of 7 °CDB/6 °CWB.
- Pipe length: 5 m, Height difference: 0 m (Outdoor unit—Indoor unit)
- The total ability of connected indoor units is from 14,000 Btu/h up to 26,000 Btu/h.

6-2. Cooling capacity

NOTE: Values mentioned in the table are calculated based on the maximum capacity.

Model: AOYG14KBTA2

| Indoor unit connect- ing capacity | Outdoor temperature | Indoor temperature | | | | | | | | | | | |
|--------------------------------------|---------------------|--------------------|------|-----------|------|-----------|------|-----------|------|-----------|------|-----------|------|
| | | 18.0 °CDB | | 21.0 °CDB | | 23.0 °CDB | | 27.0 °CDB | | 29.0 °CDB | | 32.0 °CDB | |
| | | 12.0 °CWB | | 15.0 °CWB | | 16.0 °CWB | | 19.0 °CWB | | 21.0 °CWB | | 23.0 °CWB | |
| kBtu/h | °CDB | TC | IP | TC | IP | TC | IP | TC | IP | TC | IP | TC | IP |
| 21 | -10.0 | 3.60 | 0.63 | 4.10 | 0.64 | 4.30 | 0.64 | 4.60 | 0.65 | 4.90 | 0.66 | 5.10 | 0.66 |
| | 0.0 | 3.60 | 0.28 | 4.10 | 0.28 | 4.30 | 0.28 | 4.60 | 0.29 | 4.90 | 0.29 | 5.10 | 0.29 |
| | 5.0 | 3.60 | 0.45 | 4.10 | 0.46 | 4.30 | 0.46 | 4.60 | 0.47 | 4.90 | 0.47 | 5.10 | 0.47 |
| | 10.0 | 3.60 | 0.38 | 4.10 | 0.38 | 4.30 | 0.38 | 4.60 | 0.39 | 4.90 | 0.39 | 5.10 | 0.40 |
| | 15.0 | 3.60 | 0.50 | 4.10 | 0.51 | 4.30 | 0.51 | 4.60 | 0.52 | 4.90 | 0.52 | 5.10 | 0.53 |
| | 20.0 | 3.60 | 0.59 | 4.10 | 0.60 | 4.30 | 0.61 | 4.60 | 0.62 | 4.90 | 0.62 | 5.10 | 0.63 |
| | 25.0 | 3.60 | 0.76 | 4.10 | 0.78 | 4.30 | 0.78 | 4.60 | 0.79 | 4.90 | 0.80 | 5.10 | 0.81 |
| | 30.0 | 3.60 | 0.91 | 4.10 | 0.93 | 4.30 | 0.94 | 4.60 | 0.95 | 4.90 | 0.96 | 5.10 | 0.96 |
| | 35.0 | 3.60 | 1.21 | 4.10 | 1.23 | 4.30 | 1.24 | 4.60 | 1.25 | 4.90 | 1.26 | 5.10 | 1.27 |
| | 40.0 | 3.10 | 1.00 | 3.50 | 1.02 | 3.70 | 1.03 | 4.00 | 1.04 | 4.30 | 1.05 | 4.40 | 1.06 |
| 46.0 | 2.70 | 1.01 | 3.10 | 1.03 | 3.20 | 1.04 | 3.50 | 1.05 | 3.70 | 1.06 | 3.80 | 1.07 | |
| 19 | -10.0 | 3.60 | 0.63 | 4.10 | 0.64 | 4.30 | 0.64 | 4.60 | 0.65 | 4.90 | 0.66 | 5.10 | 0.66 |
| | 0.0 | 3.60 | 0.28 | 4.10 | 0.28 | 4.30 | 0.28 | 4.60 | 0.29 | 4.90 | 0.29 | 5.10 | 0.29 |
| | 5.0 | 3.60 | 0.45 | 4.10 | 0.46 | 4.30 | 0.46 | 4.60 | 0.47 | 4.90 | 0.47 | 5.10 | 0.47 |
| | 10.0 | 3.60 | 0.38 | 4.10 | 0.38 | 4.30 | 0.38 | 4.60 | 0.39 | 4.90 | 0.39 | 5.10 | 0.40 |
| | 15.0 | 3.60 | 0.50 | 4.10 | 0.51 | 4.30 | 0.51 | 4.60 | 0.52 | 4.90 | 0.52 | 5.10 | 0.53 |
| | 20.0 | 3.60 | 0.59 | 4.10 | 0.60 | 4.30 | 0.61 | 4.60 | 0.62 | 4.90 | 0.62 | 5.10 | 0.63 |
| | 25.0 | 3.60 | 0.76 | 4.10 | 0.78 | 4.30 | 0.78 | 4.60 | 0.79 | 4.90 | 0.80 | 5.10 | 0.81 |
| | 30.0 | 3.60 | 0.91 | 4.10 | 0.93 | 4.30 | 0.94 | 4.60 | 0.95 | 4.90 | 0.96 | 5.10 | 0.96 |
| | 35.0 | 3.60 | 1.21 | 4.10 | 1.23 | 4.30 | 1.24 | 4.60 | 1.25 | 4.90 | 1.26 | 5.10 | 1.27 |
| | 40.0 | 3.10 | 1.00 | 3.50 | 1.02 | 3.70 | 1.03 | 4.00 | 1.04 | 4.30 | 1.05 | 4.40 | 1.06 |
| 46.0 | 2.70 | 1.01 | 3.10 | 1.03 | 3.20 | 1.04 | 3.50 | 1.05 | 3.70 | 1.06 | 3.80 | 1.07 | |
| 18 | -10.0 | 3.60 | 0.63 | 4.10 | 0.64 | 4.30 | 0.64 | 4.60 | 0.65 | 4.90 | 0.66 | 5.10 | 0.66 |
| | 0.0 | 3.60 | 0.28 | 4.10 | 0.28 | 4.30 | 0.28 | 4.60 | 0.29 | 4.90 | 0.29 | 5.10 | 0.29 |
| | 5.0 | 3.60 | 0.45 | 4.10 | 0.46 | 4.30 | 0.46 | 4.60 | 0.47 | 4.90 | 0.47 | 5.10 | 0.47 |
| | 10.0 | 3.60 | 0.38 | 4.10 | 0.38 | 4.30 | 0.38 | 4.60 | 0.39 | 4.90 | 0.39 | 5.10 | 0.40 |
| | 15.0 | 3.60 | 0.50 | 4.10 | 0.51 | 4.30 | 0.51 | 4.60 | 0.52 | 4.90 | 0.52 | 5.10 | 0.53 |
| | 20.0 | 3.60 | 0.59 | 4.10 | 0.60 | 4.30 | 0.61 | 4.60 | 0.62 | 4.90 | 0.62 | 5.10 | 0.63 |
| | 25.0 | 3.60 | 0.76 | 4.10 | 0.78 | 4.30 | 0.78 | 4.60 | 0.79 | 4.90 | 0.80 | 5.10 | 0.81 |
| | 30.0 | 3.60 | 0.91 | 4.10 | 0.93 | 4.30 | 0.94 | 4.60 | 0.95 | 4.90 | 0.96 | 5.10 | 0.96 |
| | 35.0 | 3.60 | 1.21 | 4.10 | 1.23 | 4.30 | 1.24 | 4.60 | 1.25 | 4.90 | 1.26 | 5.10 | 1.27 |
| | 40.0 | 3.10 | 1.00 | 3.50 | 1.02 | 3.70 | 1.03 | 4.00 | 1.04 | 4.30 | 1.05 | 4.40 | 1.06 |
| 46.0 | 2.70 | 1.01 | 3.10 | 1.03 | 3.20 | 1.04 | 3.50 | 1.05 | 3.70 | 1.06 | 3.80 | 1.07 | |
| 16 | -10.0 | 3.60 | 0.63 | 4.10 | 0.64 | 4.30 | 0.64 | 4.60 | 0.65 | 4.90 | 0.66 | 5.10 | 0.66 |
| | 0.0 | 3.60 | 0.28 | 4.10 | 0.28 | 4.30 | 0.28 | 4.60 | 0.29 | 4.90 | 0.29 | 5.10 | 0.29 |
| | 5.0 | 3.60 | 0.45 | 4.10 | 0.46 | 4.30 | 0.46 | 4.60 | 0.47 | 4.90 | 0.47 | 5.10 | 0.47 |
| | 10.0 | 3.60 | 0.38 | 4.10 | 0.38 | 4.30 | 0.38 | 4.60 | 0.39 | 4.90 | 0.39 | 5.10 | 0.40 |
| | 15.0 | 3.60 | 0.50 | 4.10 | 0.51 | 4.30 | 0.51 | 4.60 | 0.52 | 4.90 | 0.52 | 5.10 | 0.53 |
| | 20.0 | 3.60 | 0.59 | 4.10 | 0.60 | 4.30 | 0.61 | 4.60 | 0.62 | 4.90 | 0.62 | 5.10 | 0.63 |
| | 25.0 | 3.60 | 0.76 | 4.10 | 0.78 | 4.30 | 0.78 | 4.60 | 0.79 | 4.90 | 0.80 | 5.10 | 0.81 |
| | 30.0 | 3.60 | 0.91 | 4.10 | 0.93 | 4.30 | 0.94 | 4.60 | 0.95 | 4.90 | 0.96 | 5.10 | 0.96 |
| | 35.0 | 3.60 | 1.21 | 4.10 | 1.23 | 4.30 | 1.24 | 4.60 | 1.25 | 4.90 | 1.26 | 5.10 | 1.27 |
| | 40.0 | 3.10 | 1.00 | 3.50 | 1.02 | 3.70 | 1.03 | 4.00 | 1.04 | 4.30 | 1.05 | 4.40 | 1.06 |
| 46.0 | 2.70 | 1.01 | 3.10 | 1.03 | 3.20 | 1.04 | 3.50 | 1.05 | 3.70 | 1.06 | 3.80 | 1.07 | |
| 14 | -10.0 | 3.60 | 0.63 | 4.10 | 0.64 | 4.30 | 0.64 | 4.60 | 0.65 | 4.90 | 0.66 | 5.10 | 0.66 |
| | 0.0 | 3.60 | 0.28 | 4.10 | 0.28 | 4.30 | 0.28 | 4.60 | 0.29 | 4.90 | 0.29 | 5.10 | 0.29 |
| | 5.0 | 3.60 | 0.45 | 4.10 | 0.46 | 4.30 | 0.46 | 4.60 | 0.47 | 4.90 | 0.47 | 5.10 | 0.47 |
| | 10.0 | 3.60 | 0.38 | 4.10 | 0.38 | 4.30 | 0.38 | 4.60 | 0.39 | 4.90 | 0.39 | 5.10 | 0.40 |
| | 15.0 | 3.60 | 0.50 | 4.10 | 0.51 | 4.30 | 0.51 | 4.60 | 0.52 | 4.90 | 0.52 | 5.10 | 0.53 |
| | 20.0 | 3.60 | 0.59 | 4.10 | 0.60 | 4.30 | 0.61 | 4.60 | 0.62 | 4.90 | 0.62 | 5.10 | 0.63 |
| | 25.0 | 3.60 | 0.76 | 4.10 | 0.78 | 4.30 | 0.78 | 4.60 | 0.79 | 4.90 | 0.80 | 5.10 | 0.81 |
| | 30.0 | 3.60 | 0.91 | 4.10 | 0.93 | 4.30 | 0.94 | 4.60 | 0.95 | 4.90 | 0.96 | 5.10 | 0.96 |
| | 35.0 | 3.60 | 1.21 | 4.10 | 1.23 | 4.30 | 1.24 | 4.60 | 1.25 | 4.90 | 1.26 | 5.10 | 1.27 |
| | 40.0 | 3.10 | 1.00 | 3.50 | 1.02 | 3.70 | 1.03 | 4.00 | 1.04 | 4.30 | 1.05 | 4.40 | 1.06 |
| 46.0 | 2.70 | 1.01 | 3.10 | 1.03 | 3.20 | 1.04 | 3.50 | 1.05 | 3.70 | 1.06 | 3.80 | 1.07 | |

NOTES:

- TC: Total Capacity (kW), IP: Input Power (kW)
- Values mentioned in the table are based on the following conditions:
 - Power source of specifications: 230 V
 - Pipe length: 5 m, Height difference: 0 m (Outdoor unit—Indoor unit)
- 2 or more indoor units should be connected.
- The total ability of connected indoor unit is from 14,000 Btu/h up to 21,000 Btu/h.
- Input in the table are calculated based on the maximum indoor unit input combinations.

● Compact cassette type

Model: AUXG07KVLA

| Outdoor temperature | Indoor temperature (°CDB / °CWB) | | | | | | | | | | | |
|---------------------|----------------------------------|------|-------------|------|-------------|------|-------------|------|-------------|------|-------------|------|
| | 18.0 / 12.0 | | 21.0 / 15.0 | | 23.0 / 16.0 | | 27.0 / 19.0 | | 29.0 / 21.0 | | 32.0 / 23.0 | |
| (°CDB) | TC | SHC | TC | SHC | TC | SHC | TC | SHC | TC | SHC | TC | SHC |
| -10.0 | 1.80 | 1.22 | 2.04 | 1.39 | 2.15 | 1.60 | 2.30 | 1.79 | 2.46 | 1.96 | 2.53 | 2.25 |
| 0.0 | 1.80 | 1.22 | 2.04 | 1.39 | 2.15 | 1.60 | 2.30 | 1.79 | 2.46 | 1.96 | 2.53 | 2.25 |
| 5.0 | 1.80 | 1.22 | 2.04 | 1.39 | 2.15 | 1.60 | 2.30 | 1.79 | 2.46 | 1.96 | 2.53 | 2.25 |
| 10.0 | 1.80 | 1.22 | 2.04 | 1.39 | 2.15 | 1.60 | 2.30 | 1.79 | 2.46 | 1.96 | 2.53 | 2.25 |
| 15.0 | 1.80 | 1.22 | 2.04 | 1.39 | 2.15 | 1.60 | 2.30 | 1.79 | 2.46 | 1.96 | 2.53 | 2.25 |
| 20.0 | 1.80 | 1.22 | 2.04 | 1.39 | 2.15 | 1.60 | 2.30 | 1.79 | 2.46 | 1.96 | 2.53 | 2.25 |
| 25.0 | 1.80 | 1.22 | 2.04 | 1.39 | 2.15 | 1.60 | 2.30 | 1.79 | 2.46 | 1.96 | 2.53 | 2.25 |
| 30.0 | 1.80 | 1.22 | 2.04 | 1.39 | 2.15 | 1.60 | 2.30 | 1.79 | 2.46 | 1.96 | 2.53 | 2.25 |
| 35.0 | 1.80 | 1.22 | 2.04 | 1.39 | 2.15 | 1.60 | 2.30 | 1.79 | 2.46 | 1.96 | 2.53 | 2.25 |
| 40.0 | 1.57 | 0.92 | 1.77 | 1.05 | 1.87 | 1.20 | 2.00 | 1.35 | 2.13 | 1.48 | 2.20 | 1.69 |
| 46.0 | 1.36 | 0.69 | 1.54 | 0.79 | 1.62 | 0.91 | 1.74 | 1.02 | 1.86 | 1.12 | 1.91 | 1.28 |

Model: AUXG09KVLA

| Outdoor temperature | Indoor temperature (°CDB / °CWB) | | | | | | | | | | | |
|---------------------|----------------------------------|------|-------------|------|-------------|------|-------------|------|-------------|------|-------------|------|
| | 18.0 / 12.0 | | 21.0 / 15.0 | | 23.0 / 16.0 | | 27.0 / 19.0 | | 29.0 / 21.0 | | 32.0 / 23.0 | |
| (°CDB) | TC | SHC | TC | SHC | TC | SHC | TC | SHC | TC | SHC | TC | SHC |
| -10.0 | 2.03 | 1.35 | 2.29 | 1.54 | 2.42 | 1.78 | 2.59 | 1.99 | 2.77 | 2.18 | 2.85 | 2.50 |
| 0.0 | 2.03 | 1.35 | 2.29 | 1.54 | 2.42 | 1.78 | 2.59 | 1.99 | 2.77 | 2.18 | 2.85 | 2.50 |
| 5.0 | 2.03 | 1.35 | 2.29 | 1.54 | 2.42 | 1.78 | 2.59 | 1.99 | 2.77 | 2.18 | 2.85 | 2.50 |
| 10.0 | 2.03 | 1.35 | 2.29 | 1.54 | 2.42 | 1.78 | 2.59 | 1.99 | 2.77 | 2.18 | 2.85 | 2.50 |
| 15.0 | 2.03 | 1.35 | 2.29 | 1.54 | 2.42 | 1.78 | 2.59 | 1.99 | 2.77 | 2.18 | 2.85 | 2.50 |
| 20.0 | 2.03 | 1.35 | 2.29 | 1.54 | 2.42 | 1.78 | 2.59 | 1.99 | 2.77 | 2.18 | 2.85 | 2.50 |
| 25.0 | 2.03 | 1.35 | 2.29 | 1.54 | 2.42 | 1.78 | 2.59 | 1.99 | 2.77 | 2.18 | 2.85 | 2.50 |
| 30.0 | 2.03 | 1.35 | 2.29 | 1.54 | 2.42 | 1.78 | 2.59 | 1.99 | 2.77 | 2.18 | 2.85 | 2.50 |
| 35.0 | 2.03 | 1.35 | 2.29 | 1.54 | 2.42 | 1.78 | 2.59 | 1.99 | 2.77 | 2.18 | 2.85 | 2.50 |
| 40.0 | 1.76 | 1.02 | 1.99 | 1.16 | 2.10 | 1.34 | 2.25 | 1.50 | 2.40 | 1.64 | 2.48 | 1.88 |
| 46.0 | 1.53 | 0.77 | 1.73 | 0.88 | 1.83 | 1.01 | 1.96 | 1.14 | 2.09 | 1.24 | 2.16 | 1.43 |

Model: AUXG12KVLA

| Outdoor temperature | Indoor temperature (°CDB / °CWB) | | | | | | | | | | | |
|---------------------|----------------------------------|------|-------------|------|-------------|------|-------------|------|-------------|------|-------------|------|
| | 18.0 / 12.0 | | 21.0 / 15.0 | | 23.0 / 16.0 | | 27.0 / 19.0 | | 29.0 / 21.0 | | 32.0 / 23.0 | |
| (°CDB) | TC | SHC | TC | SHC | TC | SHC | TC | SHC | TC | SHC | TC | SHC |
| -10.0 | 2.28 | 1.50 | 2.58 | 1.71 | 2.72 | 1.97 | 2.91 | 2.21 | 3.11 | 2.42 | 3.21 | 2.77 |
| 0.0 | 2.28 | 1.50 | 2.58 | 1.71 | 2.72 | 1.97 | 2.91 | 2.21 | 3.11 | 2.42 | 3.21 | 2.77 |
| 5.0 | 2.28 | 1.50 | 2.58 | 1.71 | 2.72 | 1.97 | 2.91 | 2.21 | 3.11 | 2.42 | 3.21 | 2.77 |
| 10.0 | 2.28 | 1.50 | 2.58 | 1.71 | 2.72 | 1.97 | 2.91 | 2.21 | 3.11 | 2.42 | 3.21 | 2.77 |
| 15.0 | 2.28 | 1.50 | 2.58 | 1.71 | 2.72 | 1.97 | 2.91 | 2.21 | 3.11 | 2.42 | 3.21 | 2.77 |
| 20.0 | 2.28 | 1.50 | 2.58 | 1.71 | 2.72 | 1.97 | 2.91 | 2.21 | 3.11 | 2.42 | 3.21 | 2.77 |
| 25.0 | 2.28 | 1.50 | 2.58 | 1.71 | 2.72 | 1.97 | 2.91 | 2.21 | 3.11 | 2.42 | 3.21 | 2.77 |
| 30.0 | 2.28 | 1.50 | 2.58 | 1.71 | 2.72 | 1.97 | 2.91 | 2.21 | 3.11 | 2.42 | 3.21 | 2.77 |
| 35.0 | 2.28 | 1.50 | 2.58 | 1.71 | 2.72 | 1.97 | 2.91 | 2.21 | 3.11 | 2.42 | 3.21 | 2.77 |
| 40.0 | 1.98 | 1.13 | 2.24 | 1.29 | 2.36 | 1.48 | 2.53 | 1.67 | 2.70 | 1.82 | 2.78 | 2.09 |
| 46.0 | 1.72 | 0.86 | 1.95 | 0.97 | 2.05 | 1.12 | 2.20 | 1.26 | 2.35 | 1.38 | 2.42 | 1.58 |

NOTES:

- TC: Total Capacity (kW), SHC: Sensible Heat Capacity (kW)
- Values mentioned in the table are based on the following conditions:
 - Pipe length: 5 m, Height difference: 0 m (Outdoor unit—Indoor unit)

● Mini duct type

Model: ARXG07KSLAP

| Outdoor temperature | Indoor temperature (°CDB / °CWB) | | | | | | | | | | | |
|---------------------|----------------------------------|------|-------------|------|-------------|------|-------------|------|-------------|------|-------------|------|
| | 18.0 / 12.0 | | 21.0 / 15.0 | | 23.0 / 16.0 | | 27.0 / 19.0 | | 29.0 / 21.0 | | 32.0 / 23.0 | |
| (°CDB) | TC | SHC | TC | SHC | TC | SHC | TC | SHC | TC | SHC | TC | SHC |
| -10.0 | 1.80 | 1.25 | 2.04 | 1.42 | 2.15 | 1.64 | 2.30 | 1.84 | 2.46 | 2.01 | 2.53 | 2.31 |
| 0.0 | 1.80 | 1.25 | 2.04 | 1.42 | 2.15 | 1.64 | 2.30 | 1.84 | 2.46 | 2.01 | 2.53 | 2.31 |
| 5.0 | 1.80 | 1.25 | 2.04 | 1.42 | 2.15 | 1.64 | 2.30 | 1.84 | 2.46 | 2.01 | 2.53 | 2.31 |
| 10.0 | 1.80 | 1.25 | 2.04 | 1.42 | 2.15 | 1.64 | 2.30 | 1.84 | 2.46 | 2.01 | 2.53 | 2.31 |
| 15.0 | 1.80 | 1.25 | 2.04 | 1.42 | 2.15 | 1.64 | 2.30 | 1.84 | 2.46 | 2.01 | 2.53 | 2.31 |
| 20.0 | 1.80 | 1.25 | 2.04 | 1.42 | 2.15 | 1.64 | 2.30 | 1.84 | 2.46 | 2.01 | 2.53 | 2.31 |
| 25.0 | 1.80 | 1.25 | 2.04 | 1.42 | 2.15 | 1.64 | 2.30 | 1.84 | 2.46 | 2.01 | 2.53 | 2.31 |
| 30.0 | 1.80 | 1.25 | 2.04 | 1.42 | 2.15 | 1.64 | 2.30 | 1.84 | 2.46 | 2.01 | 2.53 | 2.31 |
| 35.0 | 1.80 | 1.25 | 2.04 | 1.42 | 2.15 | 1.64 | 2.30 | 1.84 | 2.46 | 2.01 | 2.53 | 2.31 |
| 40.0 | 1.57 | 0.94 | 1.77 | 1.07 | 1.87 | 1.23 | 2.00 | 1.39 | 2.13 | 1.52 | 2.20 | 1.74 |
| 46.0 | 1.36 | 0.71 | 1.54 | 0.81 | 1.62 | 0.93 | 1.74 | 1.05 | 1.86 | 1.15 | 1.91 | 1.31 |

Model: ARXG09KSLAP

| Outdoor temperature | Indoor temperature (°CDB / °CWB) | | | | | | | | | | | |
|---------------------|----------------------------------|------|-------------|------|-------------|------|-------------|------|-------------|------|-------------|------|
| | 18.0 / 12.0 | | 21.0 / 15.0 | | 23.0 / 16.0 | | 27.0 / 19.0 | | 29.0 / 21.0 | | 32.0 / 23.0 | |
| (°CDB) | TC | SHC | TC | SHC | TC | SHC | TC | SHC | TC | SHC | TC | SHC |
| -10.0 | 2.03 | 1.30 | 2.29 | 1.48 | 2.42 | 1.71 | 2.59 | 1.92 | 2.77 | 2.10 | 2.85 | 2.40 |
| 0.0 | 2.03 | 1.30 | 2.29 | 1.48 | 2.42 | 1.71 | 2.59 | 1.92 | 2.77 | 2.10 | 2.85 | 2.40 |
| 5.0 | 2.03 | 1.30 | 2.29 | 1.48 | 2.42 | 1.71 | 2.59 | 1.92 | 2.77 | 2.10 | 2.85 | 2.40 |
| 10.0 | 2.03 | 1.30 | 2.29 | 1.48 | 2.42 | 1.71 | 2.59 | 1.92 | 2.77 | 2.10 | 2.85 | 2.40 |
| 15.0 | 2.03 | 1.30 | 2.29 | 1.48 | 2.42 | 1.71 | 2.59 | 1.92 | 2.77 | 2.10 | 2.85 | 2.40 |
| 20.0 | 2.03 | 1.30 | 2.29 | 1.48 | 2.42 | 1.71 | 2.59 | 1.92 | 2.77 | 2.10 | 2.85 | 2.40 |
| 25.0 | 2.03 | 1.30 | 2.29 | 1.48 | 2.42 | 1.71 | 2.59 | 1.92 | 2.77 | 2.10 | 2.85 | 2.40 |
| 30.0 | 2.03 | 1.30 | 2.29 | 1.48 | 2.42 | 1.71 | 2.59 | 1.92 | 2.77 | 2.10 | 2.85 | 2.40 |
| 35.0 | 2.03 | 1.30 | 2.29 | 1.48 | 2.42 | 1.71 | 2.59 | 1.92 | 2.77 | 2.10 | 2.85 | 2.40 |
| 40.0 | 1.76 | 0.98 | 1.99 | 1.12 | 2.10 | 1.29 | 2.25 | 1.44 | 2.40 | 1.58 | 2.48 | 1.81 |
| 46.0 | 1.53 | 0.74 | 1.73 | 0.84 | 1.83 | 0.97 | 1.96 | 1.09 | 2.09 | 1.20 | 2.16 | 1.37 |

Model: ARXG12KSLAP

| Outdoor temperature | Indoor temperature (°CDB / °CWB) | | | | | | | | | | | |
|---------------------|----------------------------------|------|-------------|------|-------------|------|-------------|------|-------------|------|-------------|------|
| | 18.0 / 12.0 | | 21.0 / 15.0 | | 23.0 / 16.0 | | 27.0 / 19.0 | | 29.0 / 21.0 | | 32.0 / 23.0 | |
| (°CDB) | TC | SHC | TC | SHC | TC | SHC | TC | SHC | TC | SHC | TC | SHC |
| -10.0 | 2.28 | 1.46 | 2.58 | 1.66 | 2.72 | 1.92 | 2.91 | 2.15 | 3.11 | 2.36 | 3.21 | 2.70 |
| 0.0 | 2.28 | 1.46 | 2.58 | 1.66 | 2.72 | 1.92 | 2.91 | 2.15 | 3.11 | 2.36 | 3.21 | 2.70 |
| 5.0 | 2.28 | 1.46 | 2.58 | 1.66 | 2.72 | 1.92 | 2.91 | 2.15 | 3.11 | 2.36 | 3.21 | 2.70 |
| 10.0 | 2.28 | 1.46 | 2.58 | 1.66 | 2.72 | 1.92 | 2.91 | 2.15 | 3.11 | 2.36 | 3.21 | 2.70 |
| 15.0 | 2.28 | 1.46 | 2.58 | 1.66 | 2.72 | 1.92 | 2.91 | 2.15 | 3.11 | 2.36 | 3.21 | 2.70 |
| 20.0 | 2.28 | 1.46 | 2.58 | 1.66 | 2.72 | 1.92 | 2.91 | 2.15 | 3.11 | 2.36 | 3.21 | 2.70 |
| 25.0 | 2.28 | 1.46 | 2.58 | 1.66 | 2.72 | 1.92 | 2.91 | 2.15 | 3.11 | 2.36 | 3.21 | 2.70 |
| 30.0 | 2.28 | 1.46 | 2.58 | 1.66 | 2.72 | 1.92 | 2.91 | 2.15 | 3.11 | 2.36 | 3.21 | 2.70 |
| 35.0 | 2.28 | 1.46 | 2.58 | 1.66 | 2.72 | 1.92 | 2.91 | 2.15 | 3.11 | 2.36 | 3.21 | 2.70 |
| 40.0 | 1.98 | 1.10 | 2.24 | 1.25 | 2.36 | 1.44 | 2.53 | 1.62 | 2.70 | 1.78 | 2.78 | 2.03 |
| 46.0 | 1.72 | 0.83 | 1.95 | 0.95 | 2.05 | 1.09 | 2.20 | 1.23 | 2.35 | 1.34 | 2.42 | 1.54 |

NOTES:

- TC: Total Capacity (kW), SHC: Sensible Heat Capacity (kW)
- Values mentioned in the table are based on the following conditions:
 - Pipe length: 5 m, Height difference: 0 m [Outdoor unit—Indoor unit]

● Slim duct type

Model: ARXG07KLLAP

| Outdoor temperature | Indoor temperature (°CDB / °CWB) | | | | | | | | | | | |
|---------------------|----------------------------------|------|-------------|------|-------------|------|-------------|------|-------------|------|-------------|------|
| | 18.0 / 12.0 | | 21.0 / 15.0 | | 23.0 / 16.0 | | 27.0 / 19.0 | | 29.0 / 21.0 | | 32.0 / 23.0 | |
| (°CDB) | TC | SHC | TC | SHC | TC | SHC | TC | SHC | TC | SHC | TC | SHC |
| -10.0 | 1.80 | 1.25 | 2.04 | 1.42 | 2.15 | 1.64 | 2.30 | 1.84 | 2.46 | 2.01 | 2.53 | 2.31 |
| 0.0 | 1.80 | 1.25 | 2.04 | 1.42 | 2.15 | 1.64 | 2.30 | 1.84 | 2.46 | 2.01 | 2.53 | 2.31 |
| 5.0 | 1.80 | 1.25 | 2.04 | 1.42 | 2.15 | 1.64 | 2.30 | 1.84 | 2.46 | 2.01 | 2.53 | 2.31 |
| 10.0 | 1.80 | 1.25 | 2.04 | 1.42 | 2.15 | 1.64 | 2.30 | 1.84 | 2.46 | 2.01 | 2.53 | 2.31 |
| 15.0 | 1.80 | 1.25 | 2.04 | 1.42 | 2.15 | 1.64 | 2.30 | 1.84 | 2.46 | 2.01 | 2.53 | 2.31 |
| 20.0 | 1.80 | 1.25 | 2.04 | 1.42 | 2.15 | 1.64 | 2.30 | 1.84 | 2.46 | 2.01 | 2.53 | 2.31 |
| 25.0 | 1.80 | 1.25 | 2.04 | 1.42 | 2.15 | 1.64 | 2.30 | 1.84 | 2.46 | 2.01 | 2.53 | 2.31 |
| 30.0 | 1.80 | 1.25 | 2.04 | 1.42 | 2.15 | 1.64 | 2.30 | 1.84 | 2.46 | 2.01 | 2.53 | 2.31 |
| 35.0 | 1.80 | 1.25 | 2.04 | 1.42 | 2.15 | 1.64 | 2.30 | 1.84 | 2.46 | 2.01 | 2.53 | 2.31 |
| 40.0 | 1.57 | 0.94 | 1.77 | 1.07 | 1.87 | 1.23 | 2.00 | 1.39 | 2.13 | 1.52 | 2.20 | 1.74 |
| 46.0 | 1.36 | 0.71 | 1.54 | 0.81 | 1.62 | 0.93 | 1.74 | 1.05 | 1.86 | 1.15 | 1.91 | 1.31 |

Model: ARXG09KLLAP

| Outdoor temperature | Indoor temperature (°CDB / °CWB) | | | | | | | | | | | |
|---------------------|----------------------------------|------|-------------|------|-------------|------|-------------|------|-------------|------|-------------|------|
| | 18.0 / 12.0 | | 21.0 / 15.0 | | 23.0 / 16.0 | | 27.0 / 19.0 | | 29.0 / 21.0 | | 32.0 / 23.0 | |
| (°CDB) | TC | SHC | TC | SHC | TC | SHC | TC | SHC | TC | SHC | TC | SHC |
| -10.0 | 2.03 | 1.35 | 2.29 | 1.54 | 2.42 | 1.78 | 2.59 | 1.99 | 2.77 | 2.18 | 2.85 | 2.50 |
| 0.0 | 2.03 | 1.35 | 2.29 | 1.54 | 2.42 | 1.78 | 2.59 | 1.99 | 2.77 | 2.18 | 2.85 | 2.50 |
| 5.0 | 2.03 | 1.35 | 2.29 | 1.54 | 2.42 | 1.78 | 2.59 | 1.99 | 2.77 | 2.18 | 2.85 | 2.50 |
| 10.0 | 2.03 | 1.35 | 2.29 | 1.54 | 2.42 | 1.78 | 2.59 | 1.99 | 2.77 | 2.18 | 2.85 | 2.50 |
| 15.0 | 2.03 | 1.35 | 2.29 | 1.54 | 2.42 | 1.78 | 2.59 | 1.99 | 2.77 | 2.18 | 2.85 | 2.50 |
| 20.0 | 2.03 | 1.35 | 2.29 | 1.54 | 2.42 | 1.78 | 2.59 | 1.99 | 2.77 | 2.18 | 2.85 | 2.50 |
| 25.0 | 2.03 | 1.35 | 2.29 | 1.54 | 2.42 | 1.78 | 2.59 | 1.99 | 2.77 | 2.18 | 2.85 | 2.50 |
| 30.0 | 2.03 | 1.35 | 2.29 | 1.54 | 2.42 | 1.78 | 2.59 | 1.99 | 2.77 | 2.18 | 2.85 | 2.50 |
| 35.0 | 2.03 | 1.35 | 2.29 | 1.54 | 2.42 | 1.78 | 2.59 | 1.99 | 2.77 | 2.18 | 2.85 | 2.50 |
| 40.0 | 1.76 | 1.02 | 1.99 | 1.16 | 2.10 | 1.34 | 2.25 | 1.50 | 2.40 | 1.64 | 2.48 | 1.88 |
| 46.0 | 1.53 | 0.77 | 1.73 | 0.88 | 1.83 | 1.01 | 1.96 | 1.14 | 2.09 | 1.24 | 2.16 | 1.43 |

Model: ARXG12KLLAP

| Outdoor temperature | Indoor temperature (°CDB / °CWB) | | | | | | | | | | | |
|---------------------|----------------------------------|------|-------------|------|-------------|------|-------------|------|-------------|------|-------------|------|
| | 18.0 / 12.0 | | 21.0 / 15.0 | | 23.0 / 16.0 | | 27.0 / 19.0 | | 29.0 / 21.0 | | 32.0 / 23.0 | |
| (°CDB) | TC | SHC | TC | SHC | TC | SHC | TC | SHC | TC | SHC | TC | SHC |
| -10.0 | 2.28 | 1.54 | 2.58 | 1.75 | 2.72 | 2.02 | 2.91 | 2.27 | 3.11 | 2.48 | 3.21 | 2.84 |
| 0.0 | 2.28 | 1.54 | 2.58 | 1.75 | 2.72 | 2.02 | 2.91 | 2.27 | 3.11 | 2.48 | 3.21 | 2.84 |
| 5.0 | 2.28 | 1.54 | 2.58 | 1.75 | 2.72 | 2.02 | 2.91 | 2.27 | 3.11 | 2.48 | 3.21 | 2.84 |
| 10.0 | 2.28 | 1.54 | 2.58 | 1.75 | 2.72 | 2.02 | 2.91 | 2.27 | 3.11 | 2.48 | 3.21 | 2.84 |
| 15.0 | 2.28 | 1.54 | 2.58 | 1.75 | 2.72 | 2.02 | 2.91 | 2.27 | 3.11 | 2.48 | 3.21 | 2.84 |
| 20.0 | 2.28 | 1.54 | 2.58 | 1.75 | 2.72 | 2.02 | 2.91 | 2.27 | 3.11 | 2.48 | 3.21 | 2.84 |
| 25.0 | 2.28 | 1.54 | 2.58 | 1.75 | 2.72 | 2.02 | 2.91 | 2.27 | 3.11 | 2.48 | 3.21 | 2.84 |
| 30.0 | 2.28 | 1.54 | 2.58 | 1.75 | 2.72 | 2.02 | 2.91 | 2.27 | 3.11 | 2.48 | 3.21 | 2.84 |
| 35.0 | 2.28 | 1.54 | 2.58 | 1.75 | 2.72 | 2.02 | 2.91 | 2.27 | 3.11 | 2.48 | 3.21 | 2.84 |
| 40.0 | 1.98 | 1.16 | 2.24 | 1.32 | 2.36 | 1.52 | 2.53 | 1.71 | 2.70 | 1.87 | 2.78 | 2.14 |
| 46.0 | 1.72 | 0.88 | 1.95 | 1.00 | 2.05 | 1.15 | 2.20 | 1.29 | 2.35 | 1.42 | 2.42 | 1.62 |

NOTES:

- TC: Total Capacity (kW), SHC: Sensible Heat Capacity (kW)
- Values mentioned in the table are based on the following conditions:
 - Pipe length: 5 m, Height difference: 0 m (Outdoor unit—Indoor unit)

● Wall mounted type

Model: ASYG07KGTB

| Outdoor temperature | Indoor temperature (°CDB / °CWB) | | | | | | | | | | | |
|---------------------|----------------------------------|------|-------------|------|-------------|------|-------------|------|-------------|------|-------------|------|
| | 18.0 / 12.0 | | 21.0 / 15.0 | | 23.0 / 16.0 | | 27.0 / 19.0 | | 29.0 / 21.0 | | 32.0 / 23.0 | |
| (°CDB) | TC | SHC | TC | SHC | TC | SHC | TC | SHC | TC | SHC | TC | SHC |
| -10.0 | 1.80 | 1.01 | 2.04 | 1.16 | 2.15 | 1.33 | 2.30 | 1.50 | 2.46 | 1.64 | 2.53 | 1.87 |
| 0.0 | 1.80 | 1.01 | 2.04 | 1.16 | 2.15 | 1.33 | 2.30 | 1.50 | 2.46 | 1.64 | 2.53 | 1.87 |
| 5.0 | 1.80 | 1.01 | 2.04 | 1.16 | 2.15 | 1.33 | 2.30 | 1.50 | 2.46 | 1.64 | 2.53 | 1.87 |
| 10.0 | 1.80 | 1.01 | 2.04 | 1.16 | 2.15 | 1.33 | 2.30 | 1.50 | 2.46 | 1.64 | 2.53 | 1.87 |
| 15.0 | 1.80 | 1.01 | 2.04 | 1.16 | 2.15 | 1.33 | 2.30 | 1.50 | 2.46 | 1.64 | 2.53 | 1.87 |
| 20.0 | 1.80 | 1.01 | 2.04 | 1.16 | 2.15 | 1.33 | 2.30 | 1.50 | 2.46 | 1.64 | 2.53 | 1.87 |
| 25.0 | 1.80 | 1.01 | 2.04 | 1.16 | 2.15 | 1.33 | 2.30 | 1.50 | 2.46 | 1.64 | 2.53 | 1.87 |
| 30.0 | 1.80 | 1.01 | 2.04 | 1.16 | 2.15 | 1.33 | 2.30 | 1.50 | 2.46 | 1.64 | 2.53 | 1.87 |
| 35.0 | 1.80 | 1.01 | 2.04 | 1.16 | 2.15 | 1.33 | 2.30 | 1.50 | 2.46 | 1.64 | 2.53 | 1.87 |
| 40.0 | 1.57 | 0.76 | 1.77 | 0.87 | 1.87 | 1.00 | 2.00 | 1.13 | 2.13 | 1.23 | 2.20 | 1.41 |
| 46.0 | 1.36 | 0.58 | 1.54 | 0.66 | 1.62 | 0.76 | 1.74 | 0.85 | 1.86 | 0.93 | 1.91 | 1.07 |

Model: ASYG09KGTB

| Outdoor temperature | Indoor temperature (°CDB / °CWB) | | | | | | | | | | | |
|---------------------|----------------------------------|------|-------------|------|-------------|------|-------------|------|-------------|------|-------------|------|
| | 18.0 / 12.0 | | 21.0 / 15.0 | | 23.0 / 16.0 | | 27.0 / 19.0 | | 29.0 / 21.0 | | 32.0 / 23.0 | |
| (°CDB) | TC | SHC | TC | SHC | TC | SHC | TC | SHC | TC | SHC | TC | SHC |
| -10.0 | 2.03 | 1.14 | 2.29 | 1.30 | 2.42 | 1.50 | 2.59 | 1.68 | 2.77 | 1.84 | 2.85 | 2.11 |
| 0.0 | 2.03 | 1.14 | 2.29 | 1.30 | 2.42 | 1.50 | 2.59 | 1.68 | 2.77 | 1.84 | 2.85 | 2.11 |
| 5.0 | 2.03 | 1.14 | 2.29 | 1.30 | 2.42 | 1.50 | 2.59 | 1.68 | 2.77 | 1.84 | 2.85 | 2.11 |
| 10.0 | 2.03 | 1.14 | 2.29 | 1.30 | 2.42 | 1.50 | 2.59 | 1.68 | 2.77 | 1.84 | 2.85 | 2.11 |
| 15.0 | 2.03 | 1.14 | 2.29 | 1.30 | 2.42 | 1.50 | 2.59 | 1.68 | 2.77 | 1.84 | 2.85 | 2.11 |
| 20.0 | 2.03 | 1.14 | 2.29 | 1.30 | 2.42 | 1.50 | 2.59 | 1.68 | 2.77 | 1.84 | 2.85 | 2.11 |
| 25.0 | 2.03 | 1.14 | 2.29 | 1.30 | 2.42 | 1.50 | 2.59 | 1.68 | 2.77 | 1.84 | 2.85 | 2.11 |
| 30.0 | 2.03 | 1.14 | 2.29 | 1.30 | 2.42 | 1.50 | 2.59 | 1.68 | 2.77 | 1.84 | 2.85 | 2.11 |
| 35.0 | 2.03 | 1.14 | 2.29 | 1.30 | 2.42 | 1.50 | 2.59 | 1.68 | 2.77 | 1.84 | 2.85 | 2.11 |
| 40.0 | 1.76 | 0.86 | 1.99 | 0.98 | 2.10 | 1.13 | 2.25 | 1.27 | 2.40 | 1.39 | 2.48 | 1.59 |
| 46.0 | 1.53 | 0.65 | 1.73 | 0.74 | 1.83 | 0.85 | 1.96 | 0.96 | 2.09 | 1.05 | 2.16 | 1.20 |

Model: ASYG12KGTB

| Outdoor temperature | Indoor temperature (°CDB / °CWB) | | | | | | | | | | | |
|---------------------|----------------------------------|------|-------------|------|-------------|------|-------------|------|-------------|------|-------------|------|
| | 18.0 / 12.0 | | 21.0 / 15.0 | | 23.0 / 16.0 | | 27.0 / 19.0 | | 29.0 / 21.0 | | 32.0 / 23.0 | |
| (°CDB) | TC | SHC | TC | SHC | TC | SHC | TC | SHC | TC | SHC | TC | SHC |
| -10.0 | 2.28 | 1.28 | 2.58 | 1.46 | 2.72 | 1.68 | 2.91 | 1.89 | 3.11 | 2.07 | 3.21 | 2.37 |
| 0.0 | 2.28 | 1.28 | 2.58 | 1.46 | 2.72 | 1.68 | 2.91 | 1.89 | 3.11 | 2.07 | 3.21 | 2.37 |
| 5.0 | 2.28 | 1.28 | 2.58 | 1.46 | 2.72 | 1.68 | 2.91 | 1.89 | 3.11 | 2.07 | 3.21 | 2.37 |
| 10.0 | 2.28 | 1.28 | 2.58 | 1.46 | 2.72 | 1.68 | 2.91 | 1.89 | 3.11 | 2.07 | 3.21 | 2.37 |
| 15.0 | 2.28 | 1.28 | 2.58 | 1.46 | 2.72 | 1.68 | 2.91 | 1.89 | 3.11 | 2.07 | 3.21 | 2.37 |
| 20.0 | 2.28 | 1.28 | 2.58 | 1.46 | 2.72 | 1.68 | 2.91 | 1.89 | 3.11 | 2.07 | 3.21 | 2.37 |
| 25.0 | 2.28 | 1.28 | 2.58 | 1.46 | 2.72 | 1.68 | 2.91 | 1.89 | 3.11 | 2.07 | 3.21 | 2.37 |
| 30.0 | 2.28 | 1.28 | 2.58 | 1.46 | 2.72 | 1.68 | 2.91 | 1.89 | 3.11 | 2.07 | 3.21 | 2.37 |
| 35.0 | 2.28 | 1.28 | 2.58 | 1.46 | 2.72 | 1.68 | 2.91 | 1.89 | 3.11 | 2.07 | 3.21 | 2.37 |
| 40.0 | 1.98 | 0.97 | 2.24 | 1.10 | 2.36 | 1.27 | 2.53 | 1.43 | 2.70 | 1.56 | 2.78 | 1.79 |
| 46.0 | 1.72 | 0.73 | 1.95 | 0.83 | 2.05 | 0.96 | 2.20 | 1.08 | 2.35 | 1.18 | 2.42 | 1.35 |

Models: ASYG07KMTB and ASYG07KMCC

| Outdoor temperature | Indoor temperature (°CDB / °CWB) | | | | | | | | | | | |
|---------------------|----------------------------------|------|-------------|------|-------------|------|-------------|------|-------------|------|-------------|------|
| | 18.0 / 12.0 | | 21.0 / 15.0 | | 23.0 / 16.0 | | 27.0 / 19.0 | | 29.0 / 21.0 | | 32.0 / 23.0 | |
| (°CDB) | TC | SHC | TC | SHC | TC | SHC | TC | SHC | TC | SHC | TC | SHC |
| -10.0 | 1.80 | 1.01 | 2.04 | 1.16 | 2.15 | 1.33 | 2.30 | 1.50 | 2.46 | 1.64 | 2.53 | 1.87 |
| 0.0 | 1.80 | 1.01 | 2.04 | 1.16 | 2.15 | 1.33 | 2.30 | 1.50 | 2.46 | 1.64 | 2.53 | 1.87 |
| 5.0 | 1.80 | 1.01 | 2.04 | 1.16 | 2.15 | 1.33 | 2.30 | 1.50 | 2.46 | 1.64 | 2.53 | 1.87 |
| 10.0 | 1.80 | 1.01 | 2.04 | 1.16 | 2.15 | 1.33 | 2.30 | 1.50 | 2.46 | 1.64 | 2.53 | 1.87 |
| 15.0 | 1.80 | 1.01 | 2.04 | 1.16 | 2.15 | 1.33 | 2.30 | 1.50 | 2.46 | 1.64 | 2.53 | 1.87 |
| 20.0 | 1.80 | 1.01 | 2.04 | 1.16 | 2.15 | 1.33 | 2.30 | 1.50 | 2.46 | 1.64 | 2.53 | 1.87 |
| 25.0 | 1.80 | 1.01 | 2.04 | 1.16 | 2.15 | 1.33 | 2.30 | 1.50 | 2.46 | 1.64 | 2.53 | 1.87 |
| 30.0 | 1.80 | 1.01 | 2.04 | 1.16 | 2.15 | 1.33 | 2.30 | 1.50 | 2.46 | 1.64 | 2.53 | 1.87 |
| 35.0 | 1.80 | 1.01 | 2.04 | 1.16 | 2.15 | 1.33 | 2.30 | 1.50 | 2.46 | 1.64 | 2.53 | 1.87 |
| 40.0 | 1.57 | 0.76 | 1.77 | 0.87 | 1.87 | 1.00 | 2.00 | 1.13 | 2.13 | 1.23 | 2.20 | 1.41 |
| 46.0 | 1.36 | 0.58 | 1.54 | 0.66 | 1.62 | 0.76 | 1.74 | 0.85 | 1.86 | 0.93 | 1.91 | 1.07 |

Models: ASYG09KMTB and ASYG09KMCC

| Outdoor temperature | Indoor temperature (°CDB / °CWB) | | | | | | | | | | | |
|---------------------|----------------------------------|------|-------------|------|-------------|------|-------------|------|-------------|------|-------------|------|
| | 18.0 / 12.0 | | 21.0 / 15.0 | | 23.0 / 16.0 | | 27.0 / 19.0 | | 29.0 / 21.0 | | 32.0 / 23.0 | |
| (°CDB) | TC | SHC | TC | SHC | TC | SHC | TC | SHC | TC | SHC | TC | SHC |
| -10.0 | 2.03 | 1.14 | 2.29 | 1.30 | 2.42 | 1.50 | 2.59 | 1.68 | 2.77 | 1.84 | 2.85 | 2.11 |
| 0.0 | 2.03 | 1.14 | 2.29 | 1.30 | 2.42 | 1.50 | 2.59 | 1.68 | 2.77 | 1.84 | 2.85 | 2.11 |
| 5.0 | 2.03 | 1.14 | 2.29 | 1.30 | 2.42 | 1.50 | 2.59 | 1.68 | 2.77 | 1.84 | 2.85 | 2.11 |
| 10.0 | 2.03 | 1.14 | 2.29 | 1.30 | 2.42 | 1.50 | 2.59 | 1.68 | 2.77 | 1.84 | 2.85 | 2.11 |
| 15.0 | 2.03 | 1.14 | 2.29 | 1.30 | 2.42 | 1.50 | 2.59 | 1.68 | 2.77 | 1.84 | 2.85 | 2.11 |
| 20.0 | 2.03 | 1.14 | 2.29 | 1.30 | 2.42 | 1.50 | 2.59 | 1.68 | 2.77 | 1.84 | 2.85 | 2.11 |
| 25.0 | 2.03 | 1.14 | 2.29 | 1.30 | 2.42 | 1.50 | 2.59 | 1.68 | 2.77 | 1.84 | 2.85 | 2.11 |
| 30.0 | 2.03 | 1.14 | 2.29 | 1.30 | 2.42 | 1.50 | 2.59 | 1.68 | 2.77 | 1.84 | 2.85 | 2.11 |
| 35.0 | 2.03 | 1.14 | 2.29 | 1.30 | 2.42 | 1.50 | 2.59 | 1.68 | 2.77 | 1.84 | 2.85 | 2.11 |
| 40.0 | 1.76 | 0.86 | 1.99 | 0.98 | 2.10 | 1.13 | 2.25 | 1.27 | 2.40 | 1.39 | 2.48 | 1.59 |
| 46.0 | 1.53 | 0.65 | 1.73 | 0.74 | 1.83 | 0.85 | 1.96 | 0.96 | 2.09 | 1.05 | 2.16 | 1.20 |

Models: ASYG12KMTB and ASYG12KMCC

| Outdoor temperature | Indoor temperature (°CDB / °CWB) | | | | | | | | | | | |
|---------------------|----------------------------------|------|-------------|------|-------------|------|-------------|------|-------------|------|-------------|------|
| | 18.0 / 12.0 | | 21.0 / 15.0 | | 23.0 / 16.0 | | 27.0 / 19.0 | | 29.0 / 21.0 | | 32.0 / 23.0 | |
| (°CDB) | TC | SHC | TC | SHC | TC | SHC | TC | SHC | TC | SHC | TC | SHC |
| -10.0 | 2.28 | 1.28 | 2.58 | 1.46 | 2.72 | 1.68 | 2.91 | 1.89 | 3.11 | 2.07 | 3.21 | 2.37 |
| 0.0 | 2.28 | 1.28 | 2.58 | 1.46 | 2.72 | 1.68 | 2.91 | 1.89 | 3.11 | 2.07 | 3.21 | 2.37 |
| 5.0 | 2.28 | 1.28 | 2.58 | 1.46 | 2.72 | 1.68 | 2.91 | 1.89 | 3.11 | 2.07 | 3.21 | 2.37 |
| 10.0 | 2.28 | 1.28 | 2.58 | 1.46 | 2.72 | 1.68 | 2.91 | 1.89 | 3.11 | 2.07 | 3.21 | 2.37 |
| 15.0 | 2.28 | 1.28 | 2.58 | 1.46 | 2.72 | 1.68 | 2.91 | 1.89 | 3.11 | 2.07 | 3.21 | 2.37 |
| 20.0 | 2.28 | 1.28 | 2.58 | 1.46 | 2.72 | 1.68 | 2.91 | 1.89 | 3.11 | 2.07 | 3.21 | 2.37 |
| 25.0 | 2.28 | 1.28 | 2.58 | 1.46 | 2.72 | 1.68 | 2.91 | 1.89 | 3.11 | 2.07 | 3.21 | 2.37 |
| 30.0 | 2.28 | 1.28 | 2.58 | 1.46 | 2.72 | 1.68 | 2.91 | 1.89 | 3.11 | 2.07 | 3.21 | 2.37 |
| 35.0 | 2.28 | 1.28 | 2.58 | 1.46 | 2.72 | 1.68 | 2.91 | 1.89 | 3.11 | 2.07 | 3.21 | 2.37 |
| 40.0 | 1.98 | 0.97 | 2.24 | 1.10 | 2.36 | 1.27 | 2.53 | 1.43 | 2.70 | 1.56 | 2.78 | 1.79 |
| 46.0 | 1.72 | 0.73 | 1.95 | 0.83 | 2.05 | 0.96 | 2.20 | 1.08 | 2.35 | 1.18 | 2.42 | 1.35 |

Model: ASYG07KETA, ASYG07KETA-B

| Outdoor temperature | Indoor temperature (°CDB / °CWB) | | | | | | | | | | | |
|---------------------|----------------------------------|------|-------------|------|-------------|------|-------------|------|-------------|------|-------------|------|
| | 18.0 / 12.0 | | 21.0 / 15.0 | | 23.0 / 16.0 | | 27.0 / 19.0 | | 29.0 / 21.0 | | 32.0 / 23.0 | |
| (°CDB) | TC | SHC | TC | SHC | TC | SHC | TC | SHC | TC | SHC | TC | SHC |
| -10.0 | 1.80 | 1.01 | 2.04 | 1.16 | 2.15 | 1.33 | 2.30 | 1.50 | 2.46 | 1.64 | 2.53 | 1.87 |
| 0.0 | 1.80 | 1.01 | 2.04 | 1.16 | 2.15 | 1.33 | 2.30 | 1.50 | 2.46 | 1.64 | 2.53 | 1.87 |
| 5.0 | 1.80 | 1.01 | 2.04 | 1.16 | 2.15 | 1.33 | 2.30 | 1.50 | 2.46 | 1.64 | 2.53 | 1.87 |
| 10.0 | 1.80 | 1.01 | 2.04 | 1.16 | 2.15 | 1.33 | 2.30 | 1.50 | 2.46 | 1.64 | 2.53 | 1.87 |
| 15.0 | 1.80 | 1.01 | 2.04 | 1.16 | 2.15 | 1.33 | 2.30 | 1.50 | 2.46 | 1.64 | 2.53 | 1.87 |
| 20.0 | 1.80 | 1.01 | 2.04 | 1.16 | 2.15 | 1.33 | 2.30 | 1.50 | 2.46 | 1.64 | 2.53 | 1.87 |
| 25.0 | 1.80 | 1.01 | 2.04 | 1.16 | 2.15 | 1.33 | 2.30 | 1.50 | 2.46 | 1.64 | 2.53 | 1.87 |
| 30.0 | 1.80 | 1.01 | 2.04 | 1.16 | 2.15 | 1.33 | 2.30 | 1.50 | 2.46 | 1.64 | 2.53 | 1.87 |
| 35.0 | 1.80 | 1.01 | 2.04 | 1.16 | 2.15 | 1.33 | 2.30 | 1.50 | 2.46 | 1.64 | 2.53 | 1.87 |
| 40.0 | 1.57 | 0.76 | 1.77 | 0.87 | 1.87 | 1.00 | 2.00 | 1.13 | 2.13 | 1.23 | 2.20 | 1.41 |
| 46.0 | 1.36 | 0.58 | 1.54 | 0.66 | 1.62 | 0.76 | 1.74 | 0.85 | 1.86 | 0.93 | 1.91 | 1.07 |

Model: ASYG09KETA, ASYG09KETA-B

| Outdoor temperature | Indoor temperature (°CDB / °CWB) | | | | | | | | | | | |
|---------------------|----------------------------------|------|-------------|------|-------------|------|-------------|------|-------------|------|-------------|------|
| | 18.0 / 12.0 | | 21.0 / 15.0 | | 23.0 / 16.0 | | 27.0 / 19.0 | | 29.0 / 21.0 | | 32.0 / 23.0 | |
| (°CDB) | TC | SHC | TC | SHC | TC | SHC | TC | SHC | TC | SHC | TC | SHC |
| -10.0 | 2.03 | 1.14 | 2.29 | 1.30 | 2.42 | 1.50 | 2.59 | 1.68 | 2.77 | 1.84 | 2.85 | 2.11 |
| 0.0 | 2.03 | 1.14 | 2.29 | 1.30 | 2.42 | 1.50 | 2.59 | 1.68 | 2.77 | 1.84 | 2.85 | 2.11 |
| 5.0 | 2.03 | 1.14 | 2.29 | 1.30 | 2.42 | 1.50 | 2.59 | 1.68 | 2.77 | 1.84 | 2.85 | 2.11 |
| 10.0 | 2.03 | 1.14 | 2.29 | 1.30 | 2.42 | 1.50 | 2.59 | 1.68 | 2.77 | 1.84 | 2.85 | 2.11 |
| 15.0 | 2.03 | 1.14 | 2.29 | 1.30 | 2.42 | 1.50 | 2.59 | 1.68 | 2.77 | 1.84 | 2.85 | 2.11 |
| 20.0 | 2.03 | 1.14 | 2.29 | 1.30 | 2.42 | 1.50 | 2.59 | 1.68 | 2.77 | 1.84 | 2.85 | 2.11 |
| 25.0 | 2.03 | 1.14 | 2.29 | 1.30 | 2.42 | 1.50 | 2.59 | 1.68 | 2.77 | 1.84 | 2.85 | 2.11 |
| 30.0 | 2.03 | 1.14 | 2.29 | 1.30 | 2.42 | 1.50 | 2.59 | 1.68 | 2.77 | 1.84 | 2.85 | 2.11 |
| 35.0 | 2.03 | 1.14 | 2.29 | 1.30 | 2.42 | 1.50 | 2.59 | 1.68 | 2.77 | 1.84 | 2.85 | 2.11 |
| 40.0 | 1.76 | 0.86 | 1.99 | 0.98 | 2.10 | 1.13 | 2.25 | 1.27 | 2.40 | 1.39 | 2.48 | 1.59 |
| 46.0 | 1.53 | 0.65 | 1.73 | 0.74 | 1.83 | 0.85 | 1.96 | 0.96 | 2.09 | 1.05 | 2.16 | 1.20 |

Model: ASYG12KETA, ASYG12KETA-B

| Outdoor temperature | Indoor temperature (°CDB / °CWB) | | | | | | | | | | | |
|---------------------|----------------------------------|------|-------------|------|-------------|------|-------------|------|-------------|------|-------------|------|
| | 18.0 / 12.0 | | 21.0 / 15.0 | | 23.0 / 16.0 | | 27.0 / 19.0 | | 29.0 / 21.0 | | 32.0 / 23.0 | |
| (°CDB) | TC | SHC | TC | SHC | TC | SHC | TC | SHC | TC | SHC | TC | SHC |
| -10.0 | 2.28 | 1.28 | 2.58 | 1.46 | 2.72 | 1.68 | 2.91 | 1.89 | 3.11 | 2.07 | 3.21 | 2.37 |
| 0.0 | 2.28 | 1.28 | 2.58 | 1.46 | 2.72 | 1.68 | 2.91 | 1.89 | 3.11 | 2.07 | 3.21 | 2.37 |
| 5.0 | 2.28 | 1.28 | 2.58 | 1.46 | 2.72 | 1.68 | 2.91 | 1.89 | 3.11 | 2.07 | 3.21 | 2.37 |
| 10.0 | 2.28 | 1.28 | 2.58 | 1.46 | 2.72 | 1.68 | 2.91 | 1.89 | 3.11 | 2.07 | 3.21 | 2.37 |
| 15.0 | 2.28 | 1.28 | 2.58 | 1.46 | 2.72 | 1.68 | 2.91 | 1.89 | 3.11 | 2.07 | 3.21 | 2.37 |
| 20.0 | 2.28 | 1.28 | 2.58 | 1.46 | 2.72 | 1.68 | 2.91 | 1.89 | 3.11 | 2.07 | 3.21 | 2.37 |
| 25.0 | 2.28 | 1.28 | 2.58 | 1.46 | 2.72 | 1.68 | 2.91 | 1.89 | 3.11 | 2.07 | 3.21 | 2.37 |
| 30.0 | 2.28 | 1.28 | 2.58 | 1.46 | 2.72 | 1.68 | 2.91 | 1.89 | 3.11 | 2.07 | 3.21 | 2.37 |
| 35.0 | 2.28 | 1.28 | 2.58 | 1.46 | 2.72 | 1.68 | 2.91 | 1.89 | 3.11 | 2.07 | 3.21 | 2.37 |
| 40.0 | 1.98 | 0.97 | 2.24 | 1.10 | 2.36 | 1.27 | 2.53 | 1.43 | 2.70 | 1.56 | 2.78 | 1.79 |
| 46.0 | 1.72 | 0.73 | 1.95 | 0.83 | 2.05 | 0.96 | 2.20 | 1.08 | 2.35 | 1.18 | 2.42 | 1.35 |

NOTES:

- TC: Total Capacity (kW), SHC: Sensible Heat Capacity (kW)
- Values mentioned in the table are based on the following conditions:
 - Pipe length: 5 m, Height difference: 0 m (Outdoor unit—Indoor unit)

● Floor type

Model: AGYG09KVCA

| Outdoor temperature (°CDB) | Indoor temperature (°CDB / °CWB) | | | | | | | | | | | |
|-------------------------------|----------------------------------|------|-------------|------|-------------|------|-------------|------|-------------|------|-------------|------|
| | 18.0 / 12.0 | | 21.0 / 15.0 | | 23.0 / 16.0 | | 27.0 / 19.0 | | 29.0 / 21.0 | | 32.0 / 23.0 | |
| | TC | SHC | TC | SHC | TC | SHC | TC | SHC | TC | SHC | TC | SHC |
| -10.0 | 2.03 | 1.39 | 2.29 | 1.58 | 2.42 | 1.82 | 2.59 | 2.05 | 2.77 | 2.24 | 2.85 | 2.56 |
| -5.0 | 2.03 | 1.39 | 2.29 | 1.58 | 2.42 | 1.82 | 2.59 | 2.05 | 2.77 | 2.24 | 2.85 | 2.56 |
| 0.0 | 2.03 | 1.39 | 2.29 | 1.58 | 2.42 | 1.82 | 2.59 | 2.05 | 2.77 | 2.24 | 2.85 | 2.56 |
| 5.0 | 2.03 | 1.39 | 2.29 | 1.58 | 2.42 | 1.82 | 2.59 | 2.05 | 2.77 | 2.24 | 2.85 | 2.56 |
| 10.0 | 2.03 | 1.39 | 2.29 | 1.58 | 2.42 | 1.82 | 2.59 | 2.05 | 2.77 | 2.24 | 2.85 | 2.56 |
| 15.0 | 2.03 | 1.39 | 2.29 | 1.58 | 2.42 | 1.82 | 2.59 | 2.05 | 2.77 | 2.24 | 2.85 | 2.56 |
| 20.0 | 2.03 | 1.39 | 2.29 | 1.58 | 2.42 | 1.82 | 2.59 | 2.05 | 2.77 | 2.24 | 2.85 | 2.56 |
| 25.0 | 2.03 | 1.39 | 2.29 | 1.58 | 2.42 | 1.82 | 2.59 | 2.05 | 2.77 | 2.24 | 2.85 | 2.56 |
| 30.0 | 2.03 | 1.39 | 2.29 | 1.58 | 2.42 | 1.82 | 2.59 | 2.05 | 2.77 | 2.24 | 2.85 | 2.56 |
| 35.0 | 2.03 | 1.39 | 2.29 | 1.58 | 2.42 | 1.82 | 2.59 | 2.05 | 2.77 | 2.24 | 2.85 | 2.56 |
| 40.0 | 1.76 | 1.05 | 1.99 | 1.19 | 2.10 | 1.37 | 2.25 | 1.54 | 2.40 | 1.69 | 2.48 | 1.93 |
| 46.0 | 1.53 | 0.79 | 1.73 | 0.90 | 1.83 | 1.04 | 1.96 | 1.17 | 2.09 | 1.28 | 2.16 | 1.46 |

OUTDOOR UNIT
AOYG14-18KETA2OUTDOOR UNIT
AOYG14-18KETA2

Model: AGYG12KVCA

| Outdoor temperature (°CDB) | Indoor temperature (°CDB / °CWB) | | | | | | | | | | | |
|-------------------------------|----------------------------------|------|-------------|------|-------------|------|-------------|------|-------------|------|-------------|------|
| | 18.0 / 12.0 | | 21.0 / 15.0 | | 23.0 / 16.0 | | 27.0 / 19.0 | | 29.0 / 21.0 | | 32.0 / 23.0 | |
| | TC | SHC | TC | SHC | TC | SHC | TC | SHC | TC | SHC | TC | SHC |
| -10.0 | 2.28 | 1.46 | 2.58 | 1.66 | 2.72 | 1.92 | 2.91 | 2.15 | 3.11 | 2.36 | 3.21 | 2.70 |
| -5.0 | 2.28 | 1.46 | 2.58 | 1.66 | 2.72 | 1.92 | 2.91 | 2.15 | 3.11 | 2.36 | 3.21 | 2.70 |
| 0.0 | 2.28 | 1.46 | 2.58 | 1.66 | 2.72 | 1.92 | 2.91 | 2.15 | 3.11 | 2.36 | 3.21 | 2.70 |
| 5.0 | 2.28 | 1.46 | 2.58 | 1.66 | 2.72 | 1.92 | 2.91 | 2.15 | 3.11 | 2.36 | 3.21 | 2.70 |
| 10.0 | 2.28 | 1.46 | 2.58 | 1.66 | 2.72 | 1.92 | 2.91 | 2.15 | 3.11 | 2.36 | 3.21 | 2.70 |
| 15.0 | 2.28 | 1.46 | 2.58 | 1.66 | 2.72 | 1.92 | 2.91 | 2.15 | 3.11 | 2.36 | 3.21 | 2.70 |
| 20.0 | 2.28 | 1.46 | 2.58 | 1.66 | 2.72 | 1.92 | 2.91 | 2.15 | 3.11 | 2.36 | 3.21 | 2.70 |
| 25.0 | 2.28 | 1.46 | 2.58 | 1.66 | 2.72 | 1.92 | 2.91 | 2.15 | 3.11 | 2.36 | 3.21 | 2.70 |
| 30.0 | 2.28 | 1.46 | 2.58 | 1.66 | 2.72 | 1.92 | 2.91 | 2.15 | 3.11 | 2.36 | 3.21 | 2.70 |
| 35.0 | 2.28 | 1.46 | 2.58 | 1.66 | 2.72 | 1.92 | 2.91 | 2.15 | 3.11 | 2.36 | 3.21 | 2.70 |
| 40.0 | 1.98 | 1.10 | 2.24 | 1.25 | 2.36 | 1.44 | 2.53 | 1.62 | 2.70 | 1.78 | 2.78 | 2.03 |
| 46.0 | 1.72 | 0.83 | 1.95 | 0.95 | 2.05 | 1.09 | 2.20 | 1.23 | 2.35 | 1.34 | 2.42 | 1.54 |

NOTES:

- TC: Total Capacity (kW), SHC: Sensible Heat Capacity (kW)
- Values mentioned in the table are based on the following conditions:
 - Pipe length: 5 m, Height difference: 0 m (Outdoor unit—Indoor unit)

Model: AOYG18KBTA2

OUTDOOR UNIT
AOYG14-18KBTA2

OUTDOOR UNIT
AOYG14-18KBTA2

| Indoor unit connect- ing capacity | Outdoor temperature | Indoor temperature | | | | | | | | | | | |
|--------------------------------------|---------------------|--------------------|------|-----------|------|-----------|------|-----------|------|-----------|------|-----------|------|
| | | 18.0 °CDB | | 21.0 °CDB | | 23.0 °CDB | | 27.0 °CDB | | 29.0 °CDB | | 32.0 °CDB | |
| | | 12.0 °CWB | | 15.0 °CWB | | 16.0 °CWB | | 19.0 °CWB | | 21.0 °CWB | | 23.0 °CWB | |
| kBtu/h | °CDB | TC | IP | TC | IP | TC | IP | TC | IP | TC | IP | TC | IP |
| 26 | -10.0 | 4.5 | 0.80 | 5.1 | 0.81 | 5.4 | 0.82 | 5.8 | 0.83 | 6.2 | 0.84 | 6.4 | 0.84 |
| | 0.0 | 4.5 | 1.04 | 5.1 | 1.05 | 5.4 | 1.06 | 5.8 | 1.07 | 6.2 | 1.09 | 6.4 | 1.09 |
| | 5.0 | 4.5 | 0.88 | 5.1 | 0.90 | 5.4 | 0.90 | 5.8 | 0.91 | 6.2 | 0.92 | 6.4 | 0.93 |
| | 10.0 | 4.5 | 0.48 | 5.1 | 0.49 | 5.4 | 0.50 | 5.8 | 0.50 | 6.2 | 0.51 | 6.4 | 0.51 |
| | 15.0 | 4.5 | 0.64 | 5.1 | 0.65 | 5.4 | 0.66 | 5.8 | 0.67 | 6.2 | 0.67 | 6.4 | 0.68 |
| | 20.0 | 4.5 | 0.85 | 5.1 | 0.86 | 5.4 | 0.87 | 5.8 | 0.88 | 6.2 | 0.89 | 6.4 | 0.89 |
| | 25.0 | 4.5 | 1.05 | 5.1 | 1.07 | 5.4 | 1.08 | 5.8 | 1.09 | 6.2 | 1.10 | 6.4 | 1.11 |
| | 30.0 | 4.5 | 1.22 | 5.1 | 1.24 | 5.4 | 1.25 | 5.8 | 1.27 | 6.2 | 1.28 | 6.4 | 1.29 |
| | 35.0 | 4.5 | 1.57 | 5.1 | 1.60 | 5.4 | 1.61 | 5.8 | 1.63 | 6.2 | 1.65 | 6.4 | 1.66 |
| 40.0 | 3.6 | 1.28 | 4.0 | 1.30 | 4.3 | 1.31 | 4.6 | 1.32 | 4.9 | 1.34 | 5.0 | 1.35 | |
| 46.0 | 2.6 | 0.99 | 2.9 | 1.00 | 3.1 | 1.01 | 3.3 | 1.02 | 3.6 | 1.03 | 3.7 | 1.04 | |
| 24 | -10.0 | 4.5 | 0.80 | 5.1 | 0.81 | 5.4 | 0.82 | 5.8 | 0.83 | 6.2 | 0.84 | 6.4 | 0.84 |
| | 0.0 | 4.5 | 1.04 | 5.1 | 1.05 | 5.4 | 1.06 | 5.8 | 1.07 | 6.2 | 1.09 | 6.4 | 1.09 |
| | 5.0 | 4.5 | 0.88 | 5.1 | 0.90 | 5.4 | 0.90 | 5.8 | 0.91 | 6.2 | 0.92 | 6.4 | 0.93 |
| | 10.0 | 4.5 | 0.48 | 5.1 | 0.49 | 5.4 | 0.50 | 5.8 | 0.50 | 6.2 | 0.51 | 6.4 | 0.51 |
| | 15.0 | 4.5 | 0.64 | 5.1 | 0.65 | 5.4 | 0.66 | 5.8 | 0.67 | 6.2 | 0.67 | 6.4 | 0.68 |
| | 20.0 | 4.5 | 0.85 | 5.1 | 0.86 | 5.4 | 0.87 | 5.8 | 0.88 | 6.2 | 0.89 | 6.4 | 0.89 |
| | 25.0 | 4.5 | 1.05 | 5.1 | 1.07 | 5.4 | 1.08 | 5.8 | 1.09 | 6.2 | 1.10 | 6.4 | 1.11 |
| | 30.0 | 4.5 | 1.22 | 5.1 | 1.24 | 5.4 | 1.25 | 5.8 | 1.27 | 6.2 | 1.28 | 6.4 | 1.29 |
| | 35.0 | 4.5 | 1.57 | 5.1 | 1.60 | 5.4 | 1.61 | 5.8 | 1.63 | 6.2 | 1.65 | 6.4 | 1.66 |
| 40.0 | 3.6 | 1.28 | 4.0 | 1.30 | 4.3 | 1.31 | 4.6 | 1.32 | 4.9 | 1.34 | 5.0 | 1.35 | |
| 46.0 | 2.6 | 0.99 | 2.9 | 1.00 | 3.1 | 1.01 | 3.3 | 1.02 | 3.6 | 1.03 | 3.7 | 1.04 | |
| 23 | -10.0 | 4.5 | 0.80 | 5.1 | 0.81 | 5.4 | 0.82 | 5.8 | 0.83 | 6.2 | 0.84 | 6.4 | 0.84 |
| | 0.0 | 4.5 | 1.04 | 5.1 | 1.05 | 5.4 | 1.06 | 5.8 | 1.07 | 6.2 | 1.09 | 6.4 | 1.09 |
| | 5.0 | 4.5 | 0.88 | 5.1 | 0.90 | 5.4 | 0.90 | 5.8 | 0.91 | 6.2 | 0.92 | 6.4 | 0.93 |
| | 10.0 | 4.5 | 0.48 | 5.1 | 0.49 | 5.4 | 0.50 | 5.8 | 0.50 | 6.2 | 0.51 | 6.4 | 0.51 |
| | 15.0 | 4.5 | 0.64 | 5.1 | 0.65 | 5.4 | 0.66 | 5.8 | 0.67 | 6.2 | 0.67 | 6.4 | 0.68 |
| | 20.0 | 4.5 | 0.85 | 5.1 | 0.86 | 5.4 | 0.87 | 5.8 | 0.88 | 6.2 | 0.89 | 6.4 | 0.89 |
| | 25.0 | 4.5 | 1.05 | 5.1 | 1.07 | 5.4 | 1.08 | 5.8 | 1.09 | 6.2 | 1.10 | 6.4 | 1.11 |
| | 30.0 | 4.5 | 1.22 | 5.1 | 1.24 | 5.4 | 1.25 | 5.8 | 1.27 | 6.2 | 1.28 | 6.4 | 1.29 |
| | 35.0 | 4.5 | 1.57 | 5.1 | 1.60 | 5.4 | 1.61 | 5.8 | 1.63 | 6.2 | 1.65 | 6.4 | 1.66 |
| 40.0 | 3.6 | 1.28 | 4.0 | 1.30 | 4.3 | 1.31 | 4.6 | 1.32 | 4.9 | 1.34 | 5.0 | 1.35 | |
| 46.0 | 2.6 | 0.99 | 2.9 | 1.00 | 3.1 | 1.01 | 3.3 | 1.02 | 3.6 | 1.03 | 3.7 | 1.04 | |
| 21 | -10.0 | 4.5 | 0.80 | 5.1 | 0.81 | 5.4 | 0.82 | 5.8 | 0.83 | 6.2 | 0.84 | 6.4 | 0.84 |
| | 0.0 | 4.5 | 1.04 | 5.1 | 1.05 | 5.4 | 1.06 | 5.8 | 1.07 | 6.2 | 1.09 | 6.4 | 1.09 |
| | 5.0 | 4.5 | 0.88 | 5.1 | 0.90 | 5.4 | 0.90 | 5.8 | 0.91 | 6.2 | 0.92 | 6.4 | 0.93 |
| | 10.0 | 4.5 | 0.48 | 5.1 | 0.49 | 5.4 | 0.50 | 5.8 | 0.50 | 6.2 | 0.51 | 6.4 | 0.51 |
| | 15.0 | 4.5 | 0.64 | 5.1 | 0.65 | 5.4 | 0.66 | 5.8 | 0.67 | 6.2 | 0.67 | 6.4 | 0.68 |
| | 20.0 | 4.5 | 0.85 | 5.1 | 0.86 | 5.4 | 0.87 | 5.8 | 0.88 | 6.2 | 0.89 | 6.4 | 0.89 |
| | 25.0 | 4.5 | 1.05 | 5.1 | 1.07 | 5.4 | 1.08 | 5.8 | 1.09 | 6.2 | 1.10 | 6.4 | 1.11 |
| | 30.0 | 4.5 | 1.22 | 5.1 | 1.24 | 5.4 | 1.25 | 5.8 | 1.27 | 6.2 | 1.28 | 6.4 | 1.29 |
| | 35.0 | 4.5 | 1.57 | 5.1 | 1.60 | 5.4 | 1.61 | 5.8 | 1.63 | 6.2 | 1.65 | 6.4 | 1.66 |
| 40.0 | 3.6 | 1.28 | 4.0 | 1.30 | 4.3 | 1.31 | 4.6 | 1.32 | 4.9 | 1.34 | 5.0 | 1.35 | |
| 46.0 | 2.6 | 0.99 | 2.9 | 1.00 | 3.1 | 1.01 | 3.3 | 1.02 | 3.6 | 1.03 | 3.7 | 1.04 | |
| 19 | -10.0 | 4.5 | 0.80 | 5.1 | 0.81 | 5.4 | 0.82 | 5.8 | 0.83 | 6.2 | 0.84 | 6.4 | 0.84 |
| | 0.0 | 4.5 | 1.04 | 5.1 | 1.05 | 5.4 | 1.06 | 5.8 | 1.07 | 6.2 | 1.09 | 6.4 | 1.09 |
| | 5.0 | 4.5 | 0.88 | 5.1 | 0.90 | 5.4 | 0.90 | 5.8 | 0.91 | 6.2 | 0.92 | 6.4 | 0.93 |
| | 10.0 | 4.5 | 0.48 | 5.1 | 0.49 | 5.4 | 0.50 | 5.8 | 0.50 | 6.2 | 0.51 | 6.4 | 0.51 |
| | 15.0 | 4.5 | 0.64 | 5.1 | 0.65 | 5.4 | 0.66 | 5.8 | 0.67 | 6.2 | 0.67 | 6.4 | 0.68 |
| | 20.0 | 4.5 | 0.85 | 5.1 | 0.86 | 5.4 | 0.87 | 5.8 | 0.88 | 6.2 | 0.89 | 6.4 | 0.89 |
| | 25.0 | 4.5 | 1.05 | 5.1 | 1.07 | 5.4 | 1.08 | 5.8 | 1.09 | 6.2 | 1.10 | 6.4 | 1.11 |
| | 30.0 | 4.5 | 1.22 | 5.1 | 1.24 | 5.4 | 1.25 | 5.8 | 1.27 | 6.2 | 1.28 | 6.4 | 1.29 |
| | 35.0 | 4.5 | 1.57 | 5.1 | 1.60 | 5.4 | 1.61 | 5.8 | 1.63 | 6.2 | 1.65 | 6.4 | 1.66 |
| 40.0 | 3.6 | 1.28 | 4.0 | 1.30 | 4.3 | 1.31 | 4.6 | 1.32 | 4.9 | 1.34 | 5.0 | 1.35 | |
| 46.0 | 2.6 | 0.99 | 2.9 | 1.00 | 3.1 | 1.01 | 3.3 | 1.02 | 3.6 | 1.03 | 3.7 | 1.04 | |
| 18 | -10.0 | 4.5 | 0.80 | 5.1 | 0.81 | 5.4 | 0.82 | 5.8 | 0.83 | 6.2 | 0.84 | 6.4 | 0.84 |
| | 0.0 | 4.5 | 1.04 | 5.1 | 1.05 | 5.4 | 1.06 | 5.8 | 1.07 | 6.2 | 1.09 | 6.4 | 1.09 |
| | 5.0 | 4.5 | 0.88 | 5.1 | 0.90 | 5.4 | 0.90 | 5.8 | 0.91 | 6.2 | 0.92 | 6.4 | 0.93 |
| | 10.0 | 4.5 | 0.48 | 5.1 | 0.49 | 5.4 | 0.50 | 5.8 | 0.50 | 6.2 | 0.51 | 6.4 | 0.51 |
| | 15.0 | 4.5 | 0.64 | 5.1 | 0.65 | 5.4 | 0.66 | 5.8 | 0.67 | 6.2 | 0.67 | 6.4 | 0.68 |
| | 20.0 | 4.5 | 0.85 | 5.1 | 0.86 | 5.4 | 0.87 | 5.8 | 0.88 | 6.2 | 0.89 | 6.4 | 0.89 |
| | 25.0 | 4.5 | 1.05 | 5.1 | 1.07 | 5.4 | 1.08 | 5.8 | 1.09 | 6.2 | 1.10 | 6.4 | 1.11 |
| | 30.0 | 4.5 | 1.22 | 5.1 | 1.24 | 5.4 | 1.25 | 5.8 | 1.27 | 6.2 | 1.28 | 6.4 | 1.29 |
| | 35.0 | 4.5 | 1.57 | 5.1 | 1.60 | 5.4 | 1.61 | 5.8 | 1.63 | 6.2 | 1.65 | 6.4 | 1.66 |
| 40.0 | 3.6 | 1.28 | 4.0 | 1.30 | 4.3 | 1.31 | 4.6 | 1.32 | 4.9 | 1.34 | 5.0 | 1.35 | |
| 46.0 | 2.6 | 0.99 | 2.9 | 1.00 | 3.1 | 1.01 | 3.3 | 1.02 | 3.6 | 1.03 | 3.7 | 1.04 | |
| 16 | -10.0 | 4.5 | 0.78 | 5.1 | 0.79 | 5.3 | 0.80 | 5.7 | 0.80 | 6.1 | 0.81 | 6.3 | 0.82 |
| | 0.0 | 4.5 | 1.01 | 5.1 | 1.02 | 5.3 | 1.03 | 5.7 | 1.04 | 6.1 | 1.06 | 6.3 | 1.06 |
| | 5.0 | 4.5 | 0.86 | 5.1 | 0.87 | 5.3 | 0.88 | 5.7 | 0.89 | 6.1 | 0.90 | 6.3 | 0.90 |
| | 10.0 | 4.5 | 0.47 | 5.1 | 0.48 | 5.3 | 0.48 | 5.7 | 0.49 | 6.1 | 0.49 | 6.3 | 0.50 |
| | 15.0 | 4.5 | 0.62 | 5.1 | 0.63 | 5.3 | 0.64 | 5.7 | 0.65 | 6.1 | 0.65 | 6.3 | 0.66 |
| | 20.0 | 4.5 | 0.82 | 5.1 | 0.84 | 5.3 | 0.84 | 5.7 | 0.85 | 6.1 | 0.86 | 6.3 | 0.87 |
| | 25.0 | 4.5 | 1.02 | 5.1 | 1.04 | 5.3 | 1.05 | 5.7 | 1.06 | 6.1 | 1.07 | 6.3 | 1.08 |
| | 30.0 | 4.5 | 1.19 | 5.1 | 1.21 | 5.3 | 1.22 | 5.7 | 1.23 | 6.1 | 1.25 | 6.3 | 1.25 |
| | 35.0 | 4.5 | 1.52 | 5.1 | 1.55 | 5.3 | 1.56 | 5.7 | 1.58 | 6.1 | 1.60 | 6.3 | 1.61 |
| 40.0 | 3.5 | 1.24 | 4.0 | 1.26 | 4.2 | 1.27 | 4.5 | 1.29 | 4.8 | 1.30 | 4.9 | 1.31 | |
| 46.0 | 3.5 | 0.96 | 4.0 | 0.97 | 4.2 | 0.98 | 4.5 | 0.99 | 4.8 | 1.00 | 4.9 | 1.01 | |

OUTDOOR UNIT
AOYG14-18KBTA2

OUTDOOR UNIT
AOYG14-18KBTA2

| Indoor unit connect- ing capacity | Outdoor temperature | Indoor temperature | | | | | | | | | | | |
|--------------------------------------|---------------------|--------------------|------|-----------|------|-----------|------|-----------|------|-----------|------|-----------|------|
| | | 18.0 °CDB | | 21.0 °CDB | | 23.0 °CDB | | 27.0 °CDB | | 29.0 °CDB | | 32.0 °CDB | |
| | | 12.0 °CWB | | 15.0 °CWB | | 16.0 °CWB | | 19.0 °CWB | | 21.0 °CWB | | 23.0 °CWB | |
| kBtu/h | °CDB | TC | IP | TC | IP | TC | IP | TC | IP | TC | IP | TC | IP |
| 14 | -10.0 | 3.9 | 0.63 | 4.4 | 0.64 | 4.7 | 0.65 | 5.0 | 0.65 | 5.3 | 0.66 | 5.5 | 0.67 |
| | 0.0 | 3.9 | 0.82 | 4.4 | 0.83 | 4.7 | 0.84 | 5.0 | 0.85 | 5.3 | 0.86 | 5.5 | 0.86 |
| | 5.0 | 3.9 | 0.70 | 4.4 | 0.71 | 4.7 | 0.71 | 5.0 | 0.72 | 5.3 | 0.73 | 5.5 | 0.73 |
| | 10.0 | 3.9 | 0.38 | 4.4 | 0.39 | 4.7 | 0.39 | 5.0 | 0.40 | 5.3 | 0.40 | 5.5 | 0.40 |
| | 15.0 | 3.9 | 0.51 | 4.4 | 0.52 | 4.7 | 0.52 | 5.0 | 0.53 | 5.3 | 0.53 | 5.5 | 0.54 |
| | 20.0 | 3.9 | 0.67 | 4.4 | 0.68 | 4.7 | 0.69 | 5.0 | 0.69 | 5.3 | 0.70 | 5.5 | 0.71 |
| | 25.0 | 3.9 | 0.83 | 4.4 | 0.84 | 4.7 | 0.85 | 5.0 | 0.86 | 5.3 | 0.87 | 5.5 | 0.87 |
| | 30.0 | 3.9 | 0.97 | 4.4 | 0.98 | 4.7 | 0.99 | 5.0 | 1.00 | 5.3 | 1.01 | 5.5 | 1.02 |
| | 35.0 | 3.9 | 1.24 | 4.4 | 1.26 | 4.7 | 1.27 | 5.0 | 1.29 | 5.3 | 1.30 | 5.5 | 1.31 |
| | 40.0 | 3.1 | 1.01 | 3.5 | 1.03 | 3.7 | 1.04 | 3.9 | 1.05 | 4.2 | 1.06 | 4.3 | 1.06 |
| 46.0 | 3.1 | 0.78 | 3.5 | 0.79 | 3.7 | 0.80 | 3.9 | 0.81 | 4.2 | 0.82 | 4.3 | 0.82 | |

NOTES:

- TC: Total Capacity (kW), IP: Input Power (kW)
- Values mentioned in the table are based on the following conditions:
 - Power source of specifications: 230 V
 - Pipe length: 5 m, Height difference: 0 m (Outdoor unit—Indoor unit)
- 2 or more indoor units should be connected.
- The total ability of connected indoor unit is from 14,000 Btu/h up to 26,000 Btu/h.
- Input in the table are calculated based on the maximum indoor unit input combinations.

● Compact cassette type

Model: AUXG07KVLA

| Outdoor temperature | Indoor temperature (°CDB / °CWB) | | | | | | | | | | | |
|---------------------|----------------------------------|------|-------------|------|-------------|------|-------------|------|-------------|------|-------------|------|
| | 18.0 / 12.0 | | 21.0 / 15.0 | | 23.0 / 16.0 | | 27.0 / 19.0 | | 29.0 / 21.0 | | 32.0 / 23.0 | |
| (°CDB) | TC | SHC | TC | SHC | TC | SHC | TC | SHC | TC | SHC | TC | SHC |
| -10.0 | 1.96 | 1.32 | 2.22 | 1.51 | 2.34 | 1.74 | 2.50 | 1.95 | 2.67 | 2.13 | 2.76 | 2.44 |
| 0.0 | 1.96 | 1.32 | 2.22 | 1.51 | 2.34 | 1.74 | 2.50 | 1.95 | 2.67 | 2.13 | 2.76 | 2.44 |
| 5.0 | 1.96 | 1.32 | 2.22 | 1.51 | 2.34 | 1.74 | 2.50 | 1.95 | 2.67 | 2.13 | 2.76 | 2.44 |
| 10.0 | 1.96 | 1.32 | 2.22 | 1.51 | 2.34 | 1.74 | 2.50 | 1.95 | 2.67 | 2.13 | 2.76 | 2.44 |
| 15.0 | 1.96 | 1.32 | 2.22 | 1.51 | 2.34 | 1.74 | 2.50 | 1.95 | 2.67 | 2.13 | 2.76 | 2.44 |
| 20.0 | 1.96 | 1.32 | 2.22 | 1.51 | 2.34 | 1.74 | 2.50 | 1.95 | 2.67 | 2.13 | 2.76 | 2.44 |
| 25.0 | 1.96 | 1.32 | 2.22 | 1.51 | 2.34 | 1.74 | 2.50 | 1.95 | 2.67 | 2.13 | 2.76 | 2.44 |
| 30.0 | 1.96 | 1.32 | 2.22 | 1.51 | 2.34 | 1.74 | 2.50 | 1.95 | 2.67 | 2.13 | 2.76 | 2.44 |
| 35.0 | 1.96 | 1.32 | 2.22 | 1.51 | 2.34 | 1.74 | 2.50 | 1.95 | 2.67 | 2.13 | 2.76 | 2.44 |
| 40.0 | 1.85 | 1.18 | 2.10 | 1.35 | 2.21 | 1.55 | 2.37 | 1.75 | 2.53 | 1.91 | 2.61 | 2.19 |
| 46.0 | 1.75 | 1.05 | 1.98 | 1.20 | 2.08 | 1.38 | 2.23 | 1.55 | 2.38 | 1.70 | 2.46 | 1.95 |

Model: AUXG09KVLA

| Outdoor temperature | Indoor temperature (°CDB / °CWB) | | | | | | | | | | | |
|---------------------|----------------------------------|------|-------------|------|-------------|------|-------------|------|-------------|------|-------------|------|
| | 18.0 / 12.0 | | 21.0 / 15.0 | | 23.0 / 16.0 | | 27.0 / 19.0 | | 29.0 / 21.0 | | 32.0 / 23.0 | |
| (°CDB) | TC | SHC | TC | SHC | TC | SHC | TC | SHC | TC | SHC | TC | SHC |
| -10.0 | 2.51 | 1.67 | 2.84 | 1.90 | 2.99 | 2.19 | 3.20 | 2.46 | 3.42 | 2.69 | 3.53 | 3.09 |
| 0.0 | 2.51 | 1.67 | 2.84 | 1.90 | 2.99 | 2.19 | 3.20 | 2.46 | 3.42 | 2.69 | 3.53 | 3.09 |
| 5.0 | 2.51 | 1.67 | 2.84 | 1.90 | 2.99 | 2.19 | 3.20 | 2.46 | 3.42 | 2.69 | 3.53 | 3.09 |
| 10.0 | 2.51 | 1.67 | 2.84 | 1.90 | 2.99 | 2.19 | 3.20 | 2.46 | 3.42 | 2.69 | 3.53 | 3.09 |
| 15.0 | 2.51 | 1.67 | 2.84 | 1.90 | 2.99 | 2.19 | 3.20 | 2.46 | 3.42 | 2.69 | 3.53 | 3.09 |
| 20.0 | 2.51 | 1.67 | 2.84 | 1.90 | 2.99 | 2.19 | 3.20 | 2.46 | 3.42 | 2.69 | 3.53 | 3.09 |
| 25.0 | 2.51 | 1.67 | 2.84 | 1.90 | 2.99 | 2.19 | 3.20 | 2.46 | 3.42 | 2.69 | 3.53 | 3.09 |
| 30.0 | 2.51 | 1.67 | 2.84 | 1.90 | 2.99 | 2.19 | 3.20 | 2.46 | 3.42 | 2.69 | 3.53 | 3.09 |
| 35.0 | 2.51 | 1.67 | 2.84 | 1.90 | 2.99 | 2.19 | 3.20 | 2.46 | 3.42 | 2.69 | 3.53 | 3.09 |
| 40.0 | 2.37 | 1.50 | 2.68 | 1.71 | 2.83 | 1.96 | 3.03 | 2.21 | 3.24 | 2.41 | 3.34 | 2.76 |
| 46.0 | 2.24 | 1.33 | 2.53 | 1.52 | 2.67 | 1.75 | 2.86 | 1.96 | 3.05 | 2.15 | 3.15 | 2.46 |

Model: AUXG12KVLA

| Outdoor temperature | Indoor temperature (°CDB / °CWB) | | | | | | | | | | | |
|---------------------|----------------------------------|------|-------------|------|-------------|------|-------------|------|-------------|------|-------------|------|
| | 18.0 / 12.0 | | 21.0 / 15.0 | | 23.0 / 16.0 | | 27.0 / 19.0 | | 29.0 / 21.0 | | 32.0 / 23.0 | |
| (°CDB) | TC | SHC | TC | SHC | TC | SHC | TC | SHC | TC | SHC | TC | SHC |
| -10.0 | 2.87 | 1.89 | 3.24 | 2.15 | 3.42 | 2.48 | 3.66 | 2.78 | 3.91 | 3.04 | 4.03 | 3.49 |
| 0.0 | 2.87 | 1.89 | 3.24 | 2.15 | 3.42 | 2.48 | 3.66 | 2.78 | 3.91 | 3.04 | 4.03 | 3.49 |
| 5.0 | 2.87 | 1.89 | 3.24 | 2.15 | 3.42 | 2.48 | 3.66 | 2.78 | 3.91 | 3.04 | 4.03 | 3.49 |
| 10.0 | 2.87 | 1.89 | 3.24 | 2.15 | 3.42 | 2.48 | 3.66 | 2.78 | 3.91 | 3.04 | 4.03 | 3.49 |
| 15.0 | 2.87 | 1.89 | 3.24 | 2.15 | 3.42 | 2.48 | 3.66 | 2.78 | 3.91 | 3.04 | 4.03 | 3.49 |
| 20.0 | 2.87 | 1.89 | 3.24 | 2.15 | 3.42 | 2.48 | 3.66 | 2.78 | 3.91 | 3.04 | 4.03 | 3.49 |
| 25.0 | 2.87 | 1.89 | 3.24 | 2.15 | 3.42 | 2.48 | 3.66 | 2.78 | 3.91 | 3.04 | 4.03 | 3.49 |
| 30.0 | 2.87 | 1.89 | 3.24 | 2.15 | 3.42 | 2.48 | 3.66 | 2.78 | 3.91 | 3.04 | 4.03 | 3.49 |
| 35.0 | 2.87 | 1.89 | 3.24 | 2.15 | 3.42 | 2.48 | 3.66 | 2.78 | 3.91 | 3.04 | 4.03 | 3.49 |
| 40.0 | 2.72 | 1.69 | 3.07 | 1.93 | 3.23 | 2.22 | 3.46 | 2.49 | 3.70 | 2.72 | 3.82 | 3.12 |
| 46.0 | 2.56 | 1.50 | 2.89 | 1.71 | 3.05 | 1.97 | 3.27 | 2.22 | 3.49 | 2.42 | 3.60 | 2.78 |

Model: AUXG14KVLA

| Outdoor temperature | Indoor temperature (°CDB / °CWB) | | | | | | | | | | | |
|---------------------|----------------------------------|------|-------------|------|-------------|------|-------------|------|-------------|------|-------------|------|
| | 18.0 / 12.0 | | 21.0 / 15.0 | | 23.0 / 16.0 | | 27.0 / 19.0 | | 29.0 / 21.0 | | 32.0 / 23.0 | |
| (°CDB) | TC | SHC | TC | SHC | TC | SHC | TC | SHC | TC | SHC | TC | SHC |
| -10.0 | 3.03 | 1.89 | 3.43 | 2.15 | 3.61 | 2.48 | 3.87 | 2.79 | 4.14 | 3.05 | 4.26 | 3.49 |
| 0.0 | 3.03 | 1.89 | 3.43 | 2.15 | 3.61 | 2.48 | 3.87 | 2.79 | 4.14 | 3.05 | 4.26 | 3.49 |
| 5.0 | 3.03 | 1.89 | 3.43 | 2.15 | 3.61 | 2.48 | 3.87 | 2.79 | 4.14 | 3.05 | 4.26 | 3.49 |
| 10.0 | 3.03 | 1.89 | 3.43 | 2.15 | 3.61 | 2.48 | 3.87 | 2.79 | 4.14 | 3.05 | 4.26 | 3.49 |
| 15.0 | 3.03 | 1.89 | 3.43 | 2.15 | 3.61 | 2.48 | 3.87 | 2.79 | 4.14 | 3.05 | 4.26 | 3.49 |
| 20.0 | 3.03 | 1.89 | 3.43 | 2.15 | 3.61 | 2.48 | 3.87 | 2.79 | 4.14 | 3.05 | 4.26 | 3.49 |
| 25.0 | 3.03 | 1.89 | 3.43 | 2.15 | 3.61 | 2.48 | 3.87 | 2.79 | 4.14 | 3.05 | 4.26 | 3.49 |
| 30.0 | 3.03 | 1.89 | 3.43 | 2.15 | 3.61 | 2.48 | 3.87 | 2.79 | 4.14 | 3.05 | 4.26 | 3.49 |
| 35.0 | 3.03 | 1.89 | 3.43 | 2.15 | 3.61 | 2.48 | 3.87 | 2.79 | 4.14 | 3.05 | 4.26 | 3.49 |
| 40.0 | 2.87 | 1.69 | 3.24 | 1.93 | 3.42 | 2.22 | 3.66 | 2.49 | 3.91 | 2.73 | 4.04 | 3.13 |
| 46.0 | 2.71 | 1.50 | 3.06 | 1.72 | 3.23 | 1.97 | 3.45 | 2.22 | 3.69 | 2.43 | 3.81 | 2.78 |

NOTES:

- TC: Total Capacity (kW), SHC: Sensible Heat Capacity (kW)
- Values mentioned in the table are based on the following conditions:
 - Pipe length: 5 m, Height difference: 0 m (Outdoor unit—Indoor unit)

● Mini duct type

Model: ARXG07KSLAP

| Outdoor temperature | Indoor temperature (°CDB / °CWB) | | | | | | | | | | | |
|---------------------|----------------------------------|------|-------------|------|-------------|------|-------------|------|-------------|------|-------------|------|
| | 18.0 / 12.0 | | 21.0 / 15.0 | | 23.0 / 16.0 | | 27.0 / 19.0 | | 29.0 / 21.0 | | 32.0 / 23.0 | |
| (°CDB) | TC | SHC | TC | SHC | TC | SHC | TC | SHC | TC | SHC | TC | SHC |
| -10.0 | 1.96 | 1.36 | 2.22 | 1.55 | 2.34 | 1.78 | 2.50 | 2.00 | 2.67 | 2.19 | 2.76 | 2.51 |
| 0.0 | 1.96 | 1.36 | 2.22 | 1.55 | 2.34 | 1.78 | 2.50 | 2.00 | 2.67 | 2.19 | 2.76 | 2.51 |
| 5.0 | 1.96 | 1.36 | 2.22 | 1.55 | 2.34 | 1.78 | 2.50 | 2.00 | 2.67 | 2.19 | 2.76 | 2.51 |
| 10.0 | 1.96 | 1.36 | 2.22 | 1.55 | 2.34 | 1.78 | 2.50 | 2.00 | 2.67 | 2.19 | 2.76 | 2.51 |
| 15.0 | 1.96 | 1.36 | 2.22 | 1.55 | 2.34 | 1.78 | 2.50 | 2.00 | 2.67 | 2.19 | 2.76 | 2.51 |
| 20.0 | 1.96 | 1.36 | 2.22 | 1.55 | 2.34 | 1.78 | 2.50 | 2.00 | 2.67 | 2.19 | 2.76 | 2.51 |
| 25.0 | 1.96 | 1.36 | 2.22 | 1.55 | 2.34 | 1.78 | 2.50 | 2.00 | 2.67 | 2.19 | 2.76 | 2.51 |
| 30.0 | 1.96 | 1.36 | 2.22 | 1.55 | 2.34 | 1.78 | 2.50 | 2.00 | 2.67 | 2.19 | 2.76 | 2.51 |
| 35.0 | 1.96 | 1.36 | 2.22 | 1.55 | 2.34 | 1.78 | 2.50 | 2.00 | 2.67 | 2.19 | 2.76 | 2.51 |
| 40.0 | 1.54 | 0.84 | 1.74 | 0.96 | 1.84 | 1.10 | 1.97 | 1.24 | 2.10 | 1.35 | 2.17 | 1.55 |
| 46.0 | 1.12 | 0.45 | 1.27 | 0.51 | 1.34 | 0.59 | 1.43 | 0.66 | 1.53 | 0.72 | 1.58 | 0.83 |

Model: ARXG09KSLAP

| Outdoor temperature | Indoor temperature (°CDB / °CWB) | | | | | | | | | | | |
|---------------------|----------------------------------|------|-------------|------|-------------|------|-------------|------|-------------|------|-------------|------|
| | 18.0 / 12.0 | | 21.0 / 15.0 | | 23.0 / 16.0 | | 27.0 / 19.0 | | 29.0 / 21.0 | | 32.0 / 23.0 | |
| (°CDB) | TC | SHC | TC | SHC | TC | SHC | TC | SHC | TC | SHC | TC | SHC |
| -10.0 | 2.51 | 1.61 | 2.84 | 1.83 | 2.99 | 2.11 | 3.20 | 2.37 | 3.42 | 2.59 | 3.53 | 2.97 |
| 0.0 | 2.51 | 1.61 | 2.84 | 1.83 | 2.99 | 2.11 | 3.20 | 2.37 | 3.42 | 2.59 | 3.53 | 2.97 |
| 5.0 | 2.51 | 1.61 | 2.84 | 1.83 | 2.99 | 2.11 | 3.20 | 2.37 | 3.42 | 2.59 | 3.53 | 2.97 |
| 10.0 | 2.51 | 1.61 | 2.84 | 1.83 | 2.99 | 2.11 | 3.20 | 2.37 | 3.42 | 2.59 | 3.53 | 2.97 |
| 15.0 | 2.51 | 1.61 | 2.84 | 1.83 | 2.99 | 2.11 | 3.20 | 2.37 | 3.42 | 2.59 | 3.53 | 2.97 |
| 20.0 | 2.51 | 1.61 | 2.84 | 1.83 | 2.99 | 2.11 | 3.20 | 2.37 | 3.42 | 2.59 | 3.53 | 2.97 |
| 25.0 | 2.51 | 1.61 | 2.84 | 1.83 | 2.99 | 2.11 | 3.20 | 2.37 | 3.42 | 2.59 | 3.53 | 2.97 |
| 30.0 | 2.51 | 1.61 | 2.84 | 1.83 | 2.99 | 2.11 | 3.20 | 2.37 | 3.42 | 2.59 | 3.53 | 2.97 |
| 35.0 | 2.51 | 1.61 | 2.84 | 1.83 | 2.99 | 2.11 | 3.20 | 2.37 | 3.42 | 2.59 | 3.53 | 2.97 |
| 40.0 | 1.97 | 0.99 | 2.23 | 1.13 | 2.35 | 1.31 | 2.52 | 1.47 | 2.69 | 1.60 | 2.78 | 1.84 |
| 46.0 | 1.44 | 0.53 | 1.63 | 0.60 | 1.72 | 0.69 | 1.84 | 0.78 | 1.96 | 0.85 | 2.02 | 0.98 |

Model: ARXG12KSLAP

| Outdoor temperature | Indoor temperature (°CDB / °CWB) | | | | | | | | | | | |
|---------------------|----------------------------------|------|-------------|------|-------------|------|-------------|------|-------------|------|-------------|------|
| | 18.0 / 12.0 | | 21.0 / 15.0 | | 23.0 / 16.0 | | 27.0 / 19.0 | | 29.0 / 21.0 | | 32.0 / 23.0 | |
| (°CDB) | TC | SHC | TC | SHC | TC | SHC | TC | SHC | TC | SHC | TC | SHC |
| -10.0 | 2.87 | 1.84 | 3.24 | 2.09 | 3.42 | 2.41 | 3.66 | 2.71 | 3.91 | 2.96 | 4.03 | 3.39 |
| 0.0 | 2.87 | 1.84 | 3.24 | 2.09 | 3.42 | 2.41 | 3.66 | 2.71 | 3.91 | 2.96 | 4.03 | 3.39 |
| 5.0 | 2.87 | 1.84 | 3.24 | 2.09 | 3.42 | 2.41 | 3.66 | 2.71 | 3.91 | 2.96 | 4.03 | 3.39 |
| 10.0 | 2.87 | 1.84 | 3.24 | 2.09 | 3.42 | 2.41 | 3.66 | 2.71 | 3.91 | 2.96 | 4.03 | 3.39 |
| 15.0 | 2.87 | 1.84 | 3.24 | 2.09 | 3.42 | 2.41 | 3.66 | 2.71 | 3.91 | 2.96 | 4.03 | 3.39 |
| 20.0 | 2.87 | 1.84 | 3.24 | 2.09 | 3.42 | 2.41 | 3.66 | 2.71 | 3.91 | 2.96 | 4.03 | 3.39 |
| 25.0 | 2.87 | 1.84 | 3.24 | 2.09 | 3.42 | 2.41 | 3.66 | 2.71 | 3.91 | 2.96 | 4.03 | 3.39 |
| 30.0 | 2.87 | 1.84 | 3.24 | 2.09 | 3.42 | 2.41 | 3.66 | 2.71 | 3.91 | 2.96 | 4.03 | 3.39 |
| 35.0 | 2.87 | 1.84 | 3.24 | 2.09 | 3.42 | 2.41 | 3.66 | 2.71 | 3.91 | 2.96 | 4.03 | 3.39 |
| 40.0 | 2.26 | 1.14 | 2.55 | 1.30 | 2.69 | 1.49 | 2.88 | 1.68 | 3.08 | 1.83 | 3.17 | 2.10 |
| 46.0 | 1.65 | 0.60 | 1.86 | 0.69 | 1.96 | 0.79 | 2.10 | 0.89 | 2.25 | 0.98 | 2.31 | 1.12 |

Model: ARXG14KSLAP

| Outdoor temperature | Indoor temperature (°CDB / °CWB) | | | | | | | | | | | |
|---------------------|----------------------------------|------|-------------|------|-------------|------|-------------|------|-------------|------|-------------|------|
| | 18.0 / 12.0 | | 21.0 / 15.0 | | 23.0 / 16.0 | | 27.0 / 19.0 | | 29.0 / 21.0 | | 32.0 / 23.0 | |
| (°CDB) | TC | SHC | TC | SHC | TC | SHC | TC | SHC | TC | SHC | TC | SHC |
| -10.0 | 3.03 | 1.86 | 3.43 | 2.12 | 3.61 | 2.45 | 3.87 | 2.75 | 4.14 | 3.01 | 4.26 | 3.44 |
| 0.0 | 3.03 | 1.86 | 3.43 | 2.12 | 3.61 | 2.45 | 3.87 | 2.75 | 4.14 | 3.01 | 4.26 | 3.44 |
| 5.0 | 3.03 | 1.86 | 3.43 | 2.12 | 3.61 | 2.45 | 3.87 | 2.75 | 4.14 | 3.01 | 4.26 | 3.44 |
| 10.0 | 3.03 | 1.86 | 3.43 | 2.12 | 3.61 | 2.45 | 3.87 | 2.75 | 4.14 | 3.01 | 4.26 | 3.44 |
| 15.0 | 3.03 | 1.86 | 3.43 | 2.12 | 3.61 | 2.45 | 3.87 | 2.75 | 4.14 | 3.01 | 4.26 | 3.44 |
| 20.0 | 3.03 | 1.86 | 3.43 | 2.12 | 3.61 | 2.45 | 3.87 | 2.75 | 4.14 | 3.01 | 4.26 | 3.44 |
| 25.0 | 3.03 | 1.86 | 3.43 | 2.12 | 3.61 | 2.45 | 3.87 | 2.75 | 4.14 | 3.01 | 4.26 | 3.44 |
| 30.0 | 3.03 | 1.86 | 3.43 | 2.12 | 3.61 | 2.45 | 3.87 | 2.75 | 4.14 | 3.01 | 4.26 | 3.44 |
| 35.0 | 3.03 | 1.86 | 3.43 | 2.12 | 3.61 | 2.45 | 3.87 | 2.75 | 4.14 | 3.01 | 4.26 | 3.44 |
| 40.0 | 2.39 | 1.15 | 2.70 | 1.32 | 2.84 | 1.51 | 3.05 | 1.70 | 3.26 | 1.86 | 3.36 | 2.13 |
| 46.0 | 1.74 | 0.61 | 1.97 | 0.70 | 2.07 | 0.81 | 2.22 | 0.91 | 2.37 | 0.99 | 2.45 | 1.13 |

NOTES:

- TC: Total Capacity (kW), SHC: Sensible Heat Capacity (kW)
- Values mentioned in the table are based on the following conditions:
 - Pipe length: 5 m, Height difference: 0 m [Outdoor unit—Indoor unit]

● Slim duct type

Model: ARXG07KLLAP

| Outdoor temperature | Indoor temperature (°CDB / °CWB) | | | | | | | | | | | |
|---------------------|----------------------------------|------|-------------|------|-------------|------|-------------|------|-------------|------|-------------|------|
| | 18.0 / 12.0 | | 21.0 / 15.0 | | 23.0 / 16.0 | | 27.0 / 19.0 | | 29.0 / 21.0 | | 32.0 / 23.0 | |
| (°CDB) | TC | SHC | TC | SHC | TC | SHC | TC | SHC | TC | SHC | TC | SHC |
| -10.0 | 1.96 | 1.36 | 2.22 | 1.55 | 2.34 | 1.78 | 2.50 | 2.00 | 2.67 | 2.19 | 2.76 | 2.51 |
| 0.0 | 1.96 | 1.36 | 2.22 | 1.55 | 2.34 | 1.78 | 2.50 | 2.00 | 2.67 | 2.19 | 2.76 | 2.51 |
| 5.0 | 1.96 | 1.36 | 2.22 | 1.55 | 2.34 | 1.78 | 2.50 | 2.00 | 2.67 | 2.19 | 2.76 | 2.51 |
| 10.0 | 1.96 | 1.36 | 2.22 | 1.55 | 2.34 | 1.78 | 2.50 | 2.00 | 2.67 | 2.19 | 2.76 | 2.51 |
| 15.0 | 1.96 | 1.36 | 2.22 | 1.55 | 2.34 | 1.78 | 2.50 | 2.00 | 2.67 | 2.19 | 2.76 | 2.51 |
| 20.0 | 1.96 | 1.36 | 2.22 | 1.55 | 2.34 | 1.78 | 2.50 | 2.00 | 2.67 | 2.19 | 2.76 | 2.51 |
| 25.0 | 1.96 | 1.36 | 2.22 | 1.55 | 2.34 | 1.78 | 2.50 | 2.00 | 2.67 | 2.19 | 2.76 | 2.51 |
| 30.0 | 1.96 | 1.36 | 2.22 | 1.55 | 2.34 | 1.78 | 2.50 | 2.00 | 2.67 | 2.19 | 2.76 | 2.51 |
| 35.0 | 1.96 | 1.36 | 2.22 | 1.55 | 2.34 | 1.78 | 2.50 | 2.00 | 2.67 | 2.19 | 2.76 | 2.51 |
| 40.0 | 1.54 | 0.84 | 1.74 | 0.96 | 1.84 | 1.10 | 1.97 | 1.24 | 2.10 | 1.35 | 2.17 | 1.55 |
| 46.0 | 1.12 | 0.45 | 1.27 | 0.51 | 1.34 | 0.59 | 1.43 | 0.66 | 1.53 | 0.72 | 1.58 | 0.83 |

Model: ARXG09KLLAP

| Outdoor temperature | Indoor temperature (°CDB / °CWB) | | | | | | | | | | | |
|---------------------|----------------------------------|------|-------------|------|-------------|------|-------------|------|-------------|------|-------------|------|
| | 18.0 / 12.0 | | 21.0 / 15.0 | | 23.0 / 16.0 | | 27.0 / 19.0 | | 29.0 / 21.0 | | 32.0 / 23.0 | |
| (°CDB) | TC | SHC | TC | SHC | TC | SHC | TC | SHC | TC | SHC | TC | SHC |
| -10.0 | 2.51 | 1.67 | 2.84 | 1.90 | 2.99 | 2.19 | 3.20 | 2.46 | 3.42 | 2.69 | 3.53 | 3.09 |
| 0.0 | 2.51 | 1.67 | 2.84 | 1.90 | 2.99 | 2.19 | 3.20 | 2.46 | 3.42 | 2.69 | 3.53 | 3.09 |
| 5.0 | 2.51 | 1.67 | 2.84 | 1.90 | 2.99 | 2.19 | 3.20 | 2.46 | 3.42 | 2.69 | 3.53 | 3.09 |
| 10.0 | 2.51 | 1.67 | 2.84 | 1.90 | 2.99 | 2.19 | 3.20 | 2.46 | 3.42 | 2.69 | 3.53 | 3.09 |
| 15.0 | 2.51 | 1.67 | 2.84 | 1.90 | 2.99 | 2.19 | 3.20 | 2.46 | 3.42 | 2.69 | 3.53 | 3.09 |
| 20.0 | 2.51 | 1.67 | 2.84 | 1.90 | 2.99 | 2.19 | 3.20 | 2.46 | 3.42 | 2.69 | 3.53 | 3.09 |
| 25.0 | 2.51 | 1.67 | 2.84 | 1.90 | 2.99 | 2.19 | 3.20 | 2.46 | 3.42 | 2.69 | 3.53 | 3.09 |
| 30.0 | 2.51 | 1.67 | 2.84 | 1.90 | 2.99 | 2.19 | 3.20 | 2.46 | 3.42 | 2.69 | 3.53 | 3.09 |
| 35.0 | 2.51 | 1.67 | 2.84 | 1.90 | 2.99 | 2.19 | 3.20 | 2.46 | 3.42 | 2.69 | 3.53 | 3.09 |
| 40.0 | 1.97 | 1.03 | 2.23 | 1.18 | 2.35 | 1.36 | 2.52 | 1.53 | 2.69 | 1.67 | 2.78 | 1.91 |
| 46.0 | 1.44 | 0.55 | 1.63 | 0.63 | 1.72 | 0.72 | 1.84 | 0.81 | 1.96 | 0.89 | 2.02 | 1.02 |

Model: ARXG12KLLAP

| Outdoor temperature | Indoor temperature (°CDB / °CWB) | | | | | | | | | | | |
|---------------------|----------------------------------|------|-------------|------|-------------|------|-------------|------|-------------|------|-------------|------|
| | 18.0 / 12.0 | | 21.0 / 15.0 | | 23.0 / 16.0 | | 27.0 / 19.0 | | 29.0 / 21.0 | | 32.0 / 23.0 | |
| (°CDB) | TC | SHC | TC | SHC | TC | SHC | TC | SHC | TC | SHC | TC | SHC |
| -10.0 | 2.87 | 1.94 | 3.24 | 2.21 | 3.42 | 2.54 | 3.66 | 2.85 | 3.91 | 3.12 | 4.03 | 3.58 |
| 0.0 | 2.87 | 1.94 | 3.24 | 2.21 | 3.42 | 2.54 | 3.66 | 2.85 | 3.91 | 3.12 | 4.03 | 3.58 |
| 5.0 | 2.87 | 1.94 | 3.24 | 2.21 | 3.42 | 2.54 | 3.66 | 2.85 | 3.91 | 3.12 | 4.03 | 3.58 |
| 10.0 | 2.87 | 1.94 | 3.24 | 2.21 | 3.42 | 2.54 | 3.66 | 2.85 | 3.91 | 3.12 | 4.03 | 3.58 |
| 15.0 | 2.87 | 1.94 | 3.24 | 2.21 | 3.42 | 2.54 | 3.66 | 2.85 | 3.91 | 3.12 | 4.03 | 3.58 |
| 20.0 | 2.87 | 1.94 | 3.24 | 2.21 | 3.42 | 2.54 | 3.66 | 2.85 | 3.91 | 3.12 | 4.03 | 3.58 |
| 25.0 | 2.87 | 1.94 | 3.24 | 2.21 | 3.42 | 2.54 | 3.66 | 2.85 | 3.91 | 3.12 | 4.03 | 3.58 |
| 30.0 | 2.87 | 1.94 | 3.24 | 2.21 | 3.42 | 2.54 | 3.66 | 2.85 | 3.91 | 3.12 | 4.03 | 3.58 |
| 35.0 | 2.87 | 1.94 | 3.24 | 2.21 | 3.42 | 2.54 | 3.66 | 2.85 | 3.91 | 3.12 | 4.03 | 3.58 |
| 40.0 | 2.26 | 1.20 | 2.55 | 1.37 | 2.69 | 1.57 | 2.88 | 1.77 | 3.08 | 1.93 | 3.17 | 2.22 |
| 46.0 | 1.65 | 0.64 | 1.86 | 0.73 | 1.96 | 0.84 | 2.10 | 0.94 | 2.25 | 1.03 | 2.31 | 1.18 |

Model: ARXG14KLLAP

| Outdoor temperature | Indoor temperature (°CDB / °CWB) | | | | | | | | | | | |
|---------------------|----------------------------------|------|-------------|------|-------------|------|-------------|------|-------------|------|-------------|------|
| | 18.0 / 12.0 | | 21.0 / 15.0 | | 23.0 / 16.0 | | 27.0 / 19.0 | | 29.0 / 21.0 | | 32.0 / 23.0 | |
| (°CDB) | TC | SHC | TC | SHC | TC | SHC | TC | SHC | TC | SHC | TC | SHC |
| -10.0 | 3.03 | 1.94 | 3.43 | 2.21 | 3.61 | 2.55 | 3.87 | 2.86 | 4.14 | 3.13 | 4.26 | 3.59 |
| 0.0 | 3.03 | 1.94 | 3.43 | 2.21 | 3.61 | 2.55 | 3.87 | 2.86 | 4.14 | 3.13 | 4.26 | 3.59 |
| 5.0 | 3.03 | 1.94 | 3.43 | 2.21 | 3.61 | 2.55 | 3.87 | 2.86 | 4.14 | 3.13 | 4.26 | 3.59 |
| 10.0 | 3.03 | 1.94 | 3.43 | 2.21 | 3.61 | 2.55 | 3.87 | 2.86 | 4.14 | 3.13 | 4.26 | 3.59 |
| 15.0 | 3.03 | 1.94 | 3.43 | 2.21 | 3.61 | 2.55 | 3.87 | 2.86 | 4.14 | 3.13 | 4.26 | 3.59 |
| 20.0 | 3.03 | 1.94 | 3.43 | 2.21 | 3.61 | 2.55 | 3.87 | 2.86 | 4.14 | 3.13 | 4.26 | 3.59 |
| 25.0 | 3.03 | 1.94 | 3.43 | 2.21 | 3.61 | 2.55 | 3.87 | 2.86 | 4.14 | 3.13 | 4.26 | 3.59 |
| 30.0 | 3.03 | 1.94 | 3.43 | 2.21 | 3.61 | 2.55 | 3.87 | 2.86 | 4.14 | 3.13 | 4.26 | 3.59 |
| 35.0 | 3.03 | 1.94 | 3.43 | 2.21 | 3.61 | 2.55 | 3.87 | 2.86 | 4.14 | 3.13 | 4.26 | 3.59 |
| 40.0 | 2.39 | 1.20 | 2.70 | 1.37 | 2.84 | 1.58 | 3.05 | 1.77 | 3.26 | 1.94 | 3.36 | 2.22 |
| 46.0 | 1.74 | 0.64 | 1.97 | 0.73 | 2.07 | 0.84 | 2.22 | 0.94 | 2.37 | 1.03 | 2.45 | 1.18 |

NOTES:

- TC: Total Capacity (kW), SHC: Sensible Heat Capacity (kW)
- Values mentioned in the table are based on the following conditions:
 - Pipe length: 5 m, Height difference: 0 m (Outdoor unit—Indoor unit)

● Wall mounted type

Model: ASYG07KGTB

| Outdoor temperature | Indoor temperature (°CDB / °CWB) | | | | | | | | | | | |
|---------------------|----------------------------------|------|-------------|------|-------------|------|-------------|------|-------------|------|-------------|------|
| | 18.0 / 12.0 | | 21.0 / 15.0 | | 23.0 / 16.0 | | 27.0 / 19.0 | | 29.0 / 21.0 | | 32.0 / 23.0 | |
| (°CDB) | TC | SHC | TC | SHC | TC | SHC | TC | SHC | TC | SHC | TC | SHC |
| -10.0 | 1.96 | 1.10 | 2.22 | 1.26 | 2.34 | 1.45 | 2.50 | 1.63 | 2.67 | 1.78 | 2.76 | 2.04 |
| 0.0 | 1.96 | 1.10 | 2.22 | 1.26 | 2.34 | 1.45 | 2.50 | 1.63 | 2.67 | 1.78 | 2.76 | 2.04 |
| 5.0 | 1.96 | 1.10 | 2.22 | 1.26 | 2.34 | 1.45 | 2.50 | 1.63 | 2.67 | 1.78 | 2.76 | 2.04 |
| 10.0 | 1.96 | 1.10 | 2.22 | 1.26 | 2.34 | 1.45 | 2.50 | 1.63 | 2.67 | 1.78 | 2.76 | 2.04 |
| 15.0 | 1.96 | 1.10 | 2.22 | 1.26 | 2.34 | 1.45 | 2.50 | 1.63 | 2.67 | 1.78 | 2.76 | 2.04 |
| 20.0 | 1.96 | 1.10 | 2.22 | 1.26 | 2.34 | 1.45 | 2.50 | 1.63 | 2.67 | 1.78 | 2.76 | 2.04 |
| 25.0 | 1.96 | 1.10 | 2.22 | 1.26 | 2.34 | 1.45 | 2.50 | 1.63 | 2.67 | 1.78 | 2.76 | 2.04 |
| 30.0 | 1.96 | 1.10 | 2.22 | 1.26 | 2.34 | 1.45 | 2.50 | 1.63 | 2.67 | 1.78 | 2.76 | 2.04 |
| 35.0 | 1.96 | 1.10 | 2.22 | 1.26 | 2.34 | 1.45 | 2.50 | 1.63 | 2.67 | 1.78 | 2.76 | 2.04 |
| 40.0 | 1.54 | 0.68 | 1.74 | 0.78 | 1.84 | 0.90 | 1.97 | 1.01 | 2.10 | 1.10 | 2.17 | 1.26 |
| 46.0 | 1.12 | 0.36 | 1.27 | 0.41 | 1.34 | 0.48 | 1.43 | 0.54 | 1.53 | 0.59 | 1.58 | 0.67 |

Model: ASYG09KGTB

| Outdoor temperature | Indoor temperature (°CDB / °CWB) | | | | | | | | | | | |
|---------------------|----------------------------------|------|-------------|------|-------------|------|-------------|------|-------------|------|-------------|------|
| | 18.0 / 12.0 | | 21.0 / 15.0 | | 23.0 / 16.0 | | 27.0 / 19.0 | | 29.0 / 21.0 | | 32.0 / 23.0 | |
| (°CDB) | TC | SHC | TC | SHC | TC | SHC | TC | SHC | TC | SHC | TC | SHC |
| -10.0 | 2.51 | 1.41 | 2.84 | 1.61 | 2.99 | 1.85 | 3.20 | 2.08 | 3.42 | 2.27 | 3.53 | 2.61 |
| 0.0 | 2.51 | 1.41 | 2.84 | 1.61 | 2.99 | 1.85 | 3.20 | 2.08 | 3.42 | 2.27 | 3.53 | 2.61 |
| 5.0 | 2.51 | 1.41 | 2.84 | 1.61 | 2.99 | 1.85 | 3.20 | 2.08 | 3.42 | 2.27 | 3.53 | 2.61 |
| 10.0 | 2.51 | 1.41 | 2.84 | 1.61 | 2.99 | 1.85 | 3.20 | 2.08 | 3.42 | 2.27 | 3.53 | 2.61 |
| 15.0 | 2.51 | 1.41 | 2.84 | 1.61 | 2.99 | 1.85 | 3.20 | 2.08 | 3.42 | 2.27 | 3.53 | 2.61 |
| 20.0 | 2.51 | 1.41 | 2.84 | 1.61 | 2.99 | 1.85 | 3.20 | 2.08 | 3.42 | 2.27 | 3.53 | 2.61 |
| 25.0 | 2.51 | 1.41 | 2.84 | 1.61 | 2.99 | 1.85 | 3.20 | 2.08 | 3.42 | 2.27 | 3.53 | 2.61 |
| 30.0 | 2.51 | 1.41 | 2.84 | 1.61 | 2.99 | 1.85 | 3.20 | 2.08 | 3.42 | 2.27 | 3.53 | 2.61 |
| 35.0 | 2.51 | 1.41 | 2.84 | 1.61 | 2.99 | 1.85 | 3.20 | 2.08 | 3.42 | 2.27 | 3.53 | 2.61 |
| 40.0 | 1.97 | 0.87 | 2.23 | 1.00 | 2.35 | 1.15 | 2.52 | 1.29 | 2.69 | 1.41 | 2.78 | 1.61 |
| 46.0 | 1.44 | 0.46 | 1.63 | 0.53 | 1.72 | 0.61 | 1.84 | 0.69 | 1.96 | 0.75 | 2.02 | 0.86 |

Model: ASYG12KGTB

| Outdoor temperature | Indoor temperature (°CDB / °CWB) | | | | | | | | | | | |
|---------------------|----------------------------------|------|-------------|------|-------------|------|-------------|------|-------------|------|-------------|------|
| | 18.0 / 12.0 | | 21.0 / 15.0 | | 23.0 / 16.0 | | 27.0 / 19.0 | | 29.0 / 21.0 | | 32.0 / 23.0 | |
| (°CDB) | TC | SHC | TC | SHC | TC | SHC | TC | SHC | TC | SHC | TC | SHC |
| -10.0 | 2.87 | 1.61 | 3.24 | 1.84 | 3.42 | 2.12 | 3.66 | 2.38 | 3.91 | 2.60 | 4.03 | 2.98 |
| 0.0 | 2.87 | 1.61 | 3.24 | 1.84 | 3.42 | 2.12 | 3.66 | 2.38 | 3.91 | 2.60 | 4.03 | 2.98 |
| 5.0 | 2.87 | 1.61 | 3.24 | 1.84 | 3.42 | 2.12 | 3.66 | 2.38 | 3.91 | 2.60 | 4.03 | 2.98 |
| 10.0 | 2.87 | 1.61 | 3.24 | 1.84 | 3.42 | 2.12 | 3.66 | 2.38 | 3.91 | 2.60 | 4.03 | 2.98 |
| 15.0 | 2.87 | 1.61 | 3.24 | 1.84 | 3.42 | 2.12 | 3.66 | 2.38 | 3.91 | 2.60 | 4.03 | 2.98 |
| 20.0 | 2.87 | 1.61 | 3.24 | 1.84 | 3.42 | 2.12 | 3.66 | 2.38 | 3.91 | 2.60 | 4.03 | 2.98 |
| 25.0 | 2.87 | 1.61 | 3.24 | 1.84 | 3.42 | 2.12 | 3.66 | 2.38 | 3.91 | 2.60 | 4.03 | 2.98 |
| 30.0 | 2.87 | 1.61 | 3.24 | 1.84 | 3.42 | 2.12 | 3.66 | 2.38 | 3.91 | 2.60 | 4.03 | 2.98 |
| 35.0 | 2.87 | 1.61 | 3.24 | 1.84 | 3.42 | 2.12 | 3.66 | 2.38 | 3.91 | 2.60 | 4.03 | 2.98 |
| 40.0 | 2.26 | 1.00 | 2.55 | 1.14 | 2.69 | 1.31 | 2.88 | 1.47 | 3.08 | 1.61 | 3.17 | 1.85 |
| 46.0 | 1.65 | 0.53 | 1.86 | 0.61 | 1.96 | 0.70 | 2.10 | 0.78 | 2.25 | 0.86 | 2.31 | 0.98 |

Model: ASYG14KGTB

| Outdoor temperature | Indoor temperature (°CDB / °CWB) | | | | | | | | | | | |
|---------------------|----------------------------------|------|-------------|------|-------------|------|-------------|------|-------------|------|-------------|------|
| | 18.0 / 12.0 | | 21.0 / 15.0 | | 23.0 / 16.0 | | 27.0 / 19.0 | | 29.0 / 21.0 | | 32.0 / 23.0 | |
| (°CDB) | TC | SHC | TC | SHC | TC | SHC | TC | SHC | TC | SHC | TC | SHC |
| -10.0 | 3.03 | 1.71 | 3.43 | 1.94 | 3.61 | 2.24 | 3.87 | 2.52 | 4.14 | 2.75 | 4.26 | 3.15 |
| 0.0 | 3.03 | 1.71 | 3.43 | 1.94 | 3.61 | 2.24 | 3.87 | 2.52 | 4.14 | 2.75 | 4.26 | 3.15 |
| 5.0 | 3.03 | 1.71 | 3.43 | 1.94 | 3.61 | 2.24 | 3.87 | 2.52 | 4.14 | 2.75 | 4.26 | 3.15 |
| 10.0 | 3.03 | 1.71 | 3.43 | 1.94 | 3.61 | 2.24 | 3.87 | 2.52 | 4.14 | 2.75 | 4.26 | 3.15 |
| 15.0 | 3.03 | 1.71 | 3.43 | 1.94 | 3.61 | 2.24 | 3.87 | 2.52 | 4.14 | 2.75 | 4.26 | 3.15 |
| 20.0 | 3.03 | 1.71 | 3.43 | 1.94 | 3.61 | 2.24 | 3.87 | 2.52 | 4.14 | 2.75 | 4.26 | 3.15 |
| 25.0 | 3.03 | 1.71 | 3.43 | 1.94 | 3.61 | 2.24 | 3.87 | 2.52 | 4.14 | 2.75 | 4.26 | 3.15 |
| 30.0 | 3.03 | 1.71 | 3.43 | 1.94 | 3.61 | 2.24 | 3.87 | 2.52 | 4.14 | 2.75 | 4.26 | 3.15 |
| 35.0 | 3.03 | 1.71 | 3.43 | 1.94 | 3.61 | 2.24 | 3.87 | 2.52 | 4.14 | 2.75 | 4.26 | 3.15 |
| 40.0 | 2.39 | 1.06 | 2.70 | 1.20 | 2.84 | 1.39 | 3.05 | 1.56 | 3.26 | 1.70 | 3.36 | 1.95 |
| 46.0 | 1.74 | 0.56 | 1.97 | 0.64 | 2.07 | 0.74 | 2.22 | 0.83 | 2.37 | 0.91 | 2.45 | 1.04 |

Models: ASYG07KMTB and ASYG07KMCC

| Outdoor temperature | Indoor temperature (°CDB / °CWB) | | | | | | | | | | | |
|---------------------|----------------------------------|------|-------------|------|-------------|------|-------------|------|-------------|------|-------------|------|
| | 18.0 / 12.0 | | 21.0 / 15.0 | | 23.0 / 16.0 | | 27.0 / 19.0 | | 29.0 / 21.0 | | 32.0 / 23.0 | |
| (°CDB) | TC | SHC | TC | SHC | TC | SHC | TC | SHC | TC | SHC | TC | SHC |
| -10.0 | 1.96 | 1.10 | 2.22 | 1.26 | 2.34 | 1.45 | 2.50 | 1.63 | 2.67 | 1.78 | 2.76 | 2.04 |
| 0.0 | 1.96 | 1.10 | 2.22 | 1.26 | 2.34 | 1.45 | 2.50 | 1.63 | 2.67 | 1.78 | 2.76 | 2.04 |
| 5.0 | 1.96 | 1.10 | 2.22 | 1.26 | 2.34 | 1.45 | 2.50 | 1.63 | 2.67 | 1.78 | 2.76 | 2.04 |
| 10.0 | 1.96 | 1.10 | 2.22 | 1.26 | 2.34 | 1.45 | 2.50 | 1.63 | 2.67 | 1.78 | 2.76 | 2.04 |
| 15.0 | 1.96 | 1.10 | 2.22 | 1.26 | 2.34 | 1.45 | 2.50 | 1.63 | 2.67 | 1.78 | 2.76 | 2.04 |
| 20.0 | 1.96 | 1.10 | 2.22 | 1.26 | 2.34 | 1.45 | 2.50 | 1.63 | 2.67 | 1.78 | 2.76 | 2.04 |
| 25.0 | 1.96 | 1.10 | 2.22 | 1.26 | 2.34 | 1.45 | 2.50 | 1.63 | 2.67 | 1.78 | 2.76 | 2.04 |
| 30.0 | 1.96 | 1.10 | 2.22 | 1.26 | 2.34 | 1.45 | 2.50 | 1.63 | 2.67 | 1.78 | 2.76 | 2.04 |
| 35.0 | 1.96 | 1.10 | 2.22 | 1.26 | 2.34 | 1.45 | 2.50 | 1.63 | 2.67 | 1.78 | 2.76 | 2.04 |
| 40.0 | 1.54 | 0.68 | 1.74 | 0.78 | 1.84 | 0.90 | 1.97 | 1.01 | 2.10 | 1.10 | 2.17 | 1.26 |
| 46.0 | 1.12 | 0.36 | 1.27 | 0.41 | 1.34 | 0.48 | 1.43 | 0.54 | 1.53 | 0.59 | 1.58 | 0.67 |

Models: ASYG09KMTB and ASYG09KMCC

| Outdoor temperature | Indoor temperature (°CDB / °CWB) | | | | | | | | | | | |
|---------------------|----------------------------------|------|-------------|------|-------------|------|-------------|------|-------------|------|-------------|------|
| | 18.0 / 12.0 | | 21.0 / 15.0 | | 23.0 / 16.0 | | 27.0 / 19.0 | | 29.0 / 21.0 | | 32.0 / 23.0 | |
| (°CDB) | TC | SHC | TC | SHC | TC | SHC | TC | SHC | TC | SHC | TC | SHC |
| -10.0 | 2.51 | 1.41 | 2.84 | 1.61 | 2.99 | 1.85 | 3.20 | 2.08 | 3.42 | 2.27 | 3.53 | 2.61 |
| 0.0 | 2.51 | 1.41 | 2.84 | 1.61 | 2.99 | 1.85 | 3.20 | 2.08 | 3.42 | 2.27 | 3.53 | 2.61 |
| 5.0 | 2.51 | 1.41 | 2.84 | 1.61 | 2.99 | 1.85 | 3.20 | 2.08 | 3.42 | 2.27 | 3.53 | 2.61 |
| 10.0 | 2.51 | 1.41 | 2.84 | 1.61 | 2.99 | 1.85 | 3.20 | 2.08 | 3.42 | 2.27 | 3.53 | 2.61 |
| 15.0 | 2.51 | 1.41 | 2.84 | 1.61 | 2.99 | 1.85 | 3.20 | 2.08 | 3.42 | 2.27 | 3.53 | 2.61 |
| 20.0 | 2.51 | 1.41 | 2.84 | 1.61 | 2.99 | 1.85 | 3.20 | 2.08 | 3.42 | 2.27 | 3.53 | 2.61 |
| 25.0 | 2.51 | 1.41 | 2.84 | 1.61 | 2.99 | 1.85 | 3.20 | 2.08 | 3.42 | 2.27 | 3.53 | 2.61 |
| 30.0 | 2.51 | 1.41 | 2.84 | 1.61 | 2.99 | 1.85 | 3.20 | 2.08 | 3.42 | 2.27 | 3.53 | 2.61 |
| 35.0 | 2.51 | 1.41 | 2.84 | 1.61 | 2.99 | 1.85 | 3.20 | 2.08 | 3.42 | 2.27 | 3.53 | 2.61 |
| 40.0 | 1.97 | 0.87 | 2.23 | 1.00 | 2.35 | 1.15 | 2.52 | 1.29 | 2.69 | 1.41 | 2.78 | 1.61 |
| 46.0 | 1.44 | 0.46 | 1.63 | 0.53 | 1.72 | 0.61 | 1.84 | 0.69 | 1.96 | 0.75 | 2.02 | 0.86 |

Models: ASYG12KMTB and ASYG12KMCC

| Outdoor temperature | Indoor temperature (°CDB / °CWB) | | | | | | | | | | | |
|---------------------|----------------------------------|------|-------------|------|-------------|------|-------------|------|-------------|------|-------------|------|
| | 18.0 / 12.0 | | 21.0 / 15.0 | | 23.0 / 16.0 | | 27.0 / 19.0 | | 29.0 / 21.0 | | 32.0 / 23.0 | |
| (°CDB) | TC | SHC | TC | SHC | TC | SHC | TC | SHC | TC | SHC | TC | SHC |
| -10.0 | 2.87 | 1.61 | 3.24 | 1.84 | 3.42 | 2.12 | 3.66 | 2.38 | 3.91 | 2.60 | 4.03 | 2.98 |
| 0.0 | 2.87 | 1.61 | 3.24 | 1.84 | 3.42 | 2.12 | 3.66 | 2.38 | 3.91 | 2.60 | 4.03 | 2.98 |
| 5.0 | 2.87 | 1.61 | 3.24 | 1.84 | 3.42 | 2.12 | 3.66 | 2.38 | 3.91 | 2.60 | 4.03 | 2.98 |
| 10.0 | 2.87 | 1.61 | 3.24 | 1.84 | 3.42 | 2.12 | 3.66 | 2.38 | 3.91 | 2.60 | 4.03 | 2.98 |
| 15.0 | 2.87 | 1.61 | 3.24 | 1.84 | 3.42 | 2.12 | 3.66 | 2.38 | 3.91 | 2.60 | 4.03 | 2.98 |
| 20.0 | 2.87 | 1.61 | 3.24 | 1.84 | 3.42 | 2.12 | 3.66 | 2.38 | 3.91 | 2.60 | 4.03 | 2.98 |
| 25.0 | 2.87 | 1.61 | 3.24 | 1.84 | 3.42 | 2.12 | 3.66 | 2.38 | 3.91 | 2.60 | 4.03 | 2.98 |
| 30.0 | 2.87 | 1.61 | 3.24 | 1.84 | 3.42 | 2.12 | 3.66 | 2.38 | 3.91 | 2.60 | 4.03 | 2.98 |
| 35.0 | 2.87 | 1.61 | 3.24 | 1.84 | 3.42 | 2.12 | 3.66 | 2.38 | 3.91 | 2.60 | 4.03 | 2.98 |
| 40.0 | 2.26 | 1.00 | 2.55 | 1.14 | 2.69 | 1.31 | 2.88 | 1.47 | 3.08 | 1.61 | 3.17 | 1.85 |
| 46.0 | 1.65 | 0.53 | 1.86 | 0.61 | 1.96 | 0.70 | 2.10 | 0.78 | 2.25 | 0.86 | 2.31 | 0.98 |

Models: ASYG14KMTB and ASYG14KMCC

| Outdoor temperature | Indoor temperature (°CDB / °CWB) | | | | | | | | | | | |
|---------------------|----------------------------------|------|-------------|------|-------------|------|-------------|------|-------------|------|-------------|------|
| | 18.0 / 12.0 | | 21.0 / 15.0 | | 23.0 / 16.0 | | 27.0 / 19.0 | | 29.0 / 21.0 | | 32.0 / 23.0 | |
| (°CDB) | TC | SHC | TC | SHC | TC | SHC | TC | SHC | TC | SHC | TC | SHC |
| -10.0 | 3.03 | 1.71 | 3.43 | 1.94 | 3.61 | 2.24 | 3.87 | 2.52 | 4.14 | 2.75 | 4.26 | 3.15 |
| 0.0 | 3.03 | 1.71 | 3.43 | 1.94 | 3.61 | 2.24 | 3.87 | 2.52 | 4.14 | 2.75 | 4.26 | 3.15 |
| 5.0 | 3.03 | 1.71 | 3.43 | 1.94 | 3.61 | 2.24 | 3.87 | 2.52 | 4.14 | 2.75 | 4.26 | 3.15 |
| 10.0 | 3.03 | 1.71 | 3.43 | 1.94 | 3.61 | 2.24 | 3.87 | 2.52 | 4.14 | 2.75 | 4.26 | 3.15 |
| 15.0 | 3.03 | 1.71 | 3.43 | 1.94 | 3.61 | 2.24 | 3.87 | 2.52 | 4.14 | 2.75 | 4.26 | 3.15 |
| 20.0 | 3.03 | 1.71 | 3.43 | 1.94 | 3.61 | 2.24 | 3.87 | 2.52 | 4.14 | 2.75 | 4.26 | 3.15 |
| 25.0 | 3.03 | 1.71 | 3.43 | 1.94 | 3.61 | 2.24 | 3.87 | 2.52 | 4.14 | 2.75 | 4.26 | 3.15 |
| 30.0 | 3.03 | 1.71 | 3.43 | 1.94 | 3.61 | 2.24 | 3.87 | 2.52 | 4.14 | 2.75 | 4.26 | 3.15 |
| 35.0 | 3.03 | 1.71 | 3.43 | 1.94 | 3.61 | 2.24 | 3.87 | 2.52 | 4.14 | 2.75 | 4.26 | 3.15 |
| 40.0 | 2.39 | 1.06 | 2.70 | 1.20 | 2.84 | 1.39 | 3.05 | 1.56 | 3.26 | 1.70 | 3.36 | 1.95 |
| 46.0 | 1.74 | 0.56 | 1.97 | 0.64 | 2.07 | 0.74 | 2.22 | 0.83 | 2.37 | 0.91 | 2.45 | 1.04 |

Model: ASYG07KETA, ASYG07KETA-B

| Outdoor temperature | Indoor temperature (°CDB / °CWB) | | | | | | | | | | | |
|---------------------|----------------------------------|------|-------------|------|-------------|------|-------------|------|-------------|------|-------------|------|
| | 18.0 / 12.0 | | 21.0 / 15.0 | | 23.0 / 16.0 | | 27.0 / 19.0 | | 29.0 / 21.0 | | 32.0 / 23.0 | |
| (°CDB) | TC | SHC | TC | SHC | TC | SHC | TC | SHC | TC | SHC | TC | SHC |
| -10.0 | 1.96 | 1.10 | 2.22 | 1.26 | 2.34 | 1.45 | 2.50 | 1.63 | 2.67 | 1.78 | 2.76 | 2.04 |
| 0.0 | 1.96 | 1.10 | 2.22 | 1.26 | 2.34 | 1.45 | 2.50 | 1.63 | 2.67 | 1.78 | 2.76 | 2.04 |
| 5.0 | 1.96 | 1.10 | 2.22 | 1.26 | 2.34 | 1.45 | 2.50 | 1.63 | 2.67 | 1.78 | 2.76 | 2.04 |
| 10.0 | 1.96 | 1.10 | 2.22 | 1.26 | 2.34 | 1.45 | 2.50 | 1.63 | 2.67 | 1.78 | 2.76 | 2.04 |
| 15.0 | 1.96 | 1.10 | 2.22 | 1.26 | 2.34 | 1.45 | 2.50 | 1.63 | 2.67 | 1.78 | 2.76 | 2.04 |
| 20.0 | 1.96 | 1.10 | 2.22 | 1.26 | 2.34 | 1.45 | 2.50 | 1.63 | 2.67 | 1.78 | 2.76 | 2.04 |
| 25.0 | 1.96 | 1.10 | 2.22 | 1.26 | 2.34 | 1.45 | 2.50 | 1.63 | 2.67 | 1.78 | 2.76 | 2.04 |
| 30.0 | 1.96 | 1.10 | 2.22 | 1.26 | 2.34 | 1.45 | 2.50 | 1.63 | 2.67 | 1.78 | 2.76 | 2.04 |
| 35.0 | 1.96 | 1.10 | 2.22 | 1.26 | 2.34 | 1.45 | 2.50 | 1.63 | 2.67 | 1.78 | 2.76 | 2.04 |
| 40.0 | 1.54 | 0.68 | 1.74 | 0.78 | 1.84 | 0.90 | 1.97 | 1.01 | 2.10 | 1.10 | 2.17 | 1.26 |
| 46.0 | 1.12 | 0.36 | 1.27 | 0.41 | 1.34 | 0.48 | 1.43 | 0.54 | 1.53 | 0.59 | 1.58 | 0.67 |

Model: ASYG09KETA, ASYG09KETA-B

| Outdoor temperature | Indoor temperature (°CDB / °CWB) | | | | | | | | | | | |
|---------------------|----------------------------------|------|-------------|------|-------------|------|-------------|------|-------------|------|-------------|------|
| | 18.0 / 12.0 | | 21.0 / 15.0 | | 23.0 / 16.0 | | 27.0 / 19.0 | | 29.0 / 21.0 | | 32.0 / 23.0 | |
| (°CDB) | TC | SHC | TC | SHC | TC | SHC | TC | SHC | TC | SHC | TC | SHC |
| -10.0 | 2.51 | 1.41 | 2.84 | 1.61 | 2.99 | 1.85 | 3.20 | 2.08 | 3.42 | 2.27 | 3.53 | 2.61 |
| 0.0 | 2.51 | 1.41 | 2.84 | 1.61 | 2.99 | 1.85 | 3.20 | 2.08 | 3.42 | 2.27 | 3.53 | 2.61 |
| 5.0 | 2.51 | 1.41 | 2.84 | 1.61 | 2.99 | 1.85 | 3.20 | 2.08 | 3.42 | 2.27 | 3.53 | 2.61 |
| 10.0 | 2.51 | 1.41 | 2.84 | 1.61 | 2.99 | 1.85 | 3.20 | 2.08 | 3.42 | 2.27 | 3.53 | 2.61 |
| 15.0 | 2.51 | 1.41 | 2.84 | 1.61 | 2.99 | 1.85 | 3.20 | 2.08 | 3.42 | 2.27 | 3.53 | 2.61 |
| 20.0 | 2.51 | 1.41 | 2.84 | 1.61 | 2.99 | 1.85 | 3.20 | 2.08 | 3.42 | 2.27 | 3.53 | 2.61 |
| 25.0 | 2.51 | 1.41 | 2.84 | 1.61 | 2.99 | 1.85 | 3.20 | 2.08 | 3.42 | 2.27 | 3.53 | 2.61 |
| 30.0 | 2.51 | 1.41 | 2.84 | 1.61 | 2.99 | 1.85 | 3.20 | 2.08 | 3.42 | 2.27 | 3.53 | 2.61 |
| 35.0 | 2.51 | 1.41 | 2.84 | 1.61 | 2.99 | 1.85 | 3.20 | 2.08 | 3.42 | 2.27 | 3.53 | 2.61 |
| 40.0 | 1.97 | 0.87 | 2.23 | 1.00 | 2.35 | 1.15 | 2.52 | 1.29 | 2.69 | 1.41 | 2.78 | 1.61 |
| 46.0 | 1.44 | 0.46 | 1.63 | 0.53 | 1.72 | 0.61 | 1.84 | 0.69 | 1.96 | 0.75 | 2.02 | 0.86 |

Model: ASYG12KETA, ASYG12KETA-B

| Outdoor temperature | Indoor temperature (°CDB / °CWB) | | | | | | | | | | | |
|---------------------|----------------------------------|------|-------------|------|-------------|------|-------------|------|-------------|------|-------------|------|
| | 18.0 / 12.0 | | 21.0 / 15.0 | | 23.0 / 16.0 | | 27.0 / 19.0 | | 29.0 / 21.0 | | 32.0 / 23.0 | |
| (°CDB) | TC | SHC | TC | SHC | TC | SHC | TC | SHC | TC | SHC | TC | SHC |
| -10.0 | 2.87 | 1.61 | 3.24 | 1.84 | 3.42 | 2.12 | 3.66 | 2.38 | 3.91 | 2.60 | 4.03 | 2.98 |
| 0.0 | 2.87 | 1.61 | 3.24 | 1.84 | 3.42 | 2.12 | 3.66 | 2.38 | 3.91 | 2.60 | 4.03 | 2.98 |
| 5.0 | 2.87 | 1.61 | 3.24 | 1.84 | 3.42 | 2.12 | 3.66 | 2.38 | 3.91 | 2.60 | 4.03 | 2.98 |
| 10.0 | 2.87 | 1.61 | 3.24 | 1.84 | 3.42 | 2.12 | 3.66 | 2.38 | 3.91 | 2.60 | 4.03 | 2.98 |
| 15.0 | 2.87 | 1.61 | 3.24 | 1.84 | 3.42 | 2.12 | 3.66 | 2.38 | 3.91 | 2.60 | 4.03 | 2.98 |
| 20.0 | 2.87 | 1.61 | 3.24 | 1.84 | 3.42 | 2.12 | 3.66 | 2.38 | 3.91 | 2.60 | 4.03 | 2.98 |
| 25.0 | 2.87 | 1.61 | 3.24 | 1.84 | 3.42 | 2.12 | 3.66 | 2.38 | 3.91 | 2.60 | 4.03 | 2.98 |
| 30.0 | 2.87 | 1.61 | 3.24 | 1.84 | 3.42 | 2.12 | 3.66 | 2.38 | 3.91 | 2.60 | 4.03 | 2.98 |
| 35.0 | 2.87 | 1.61 | 3.24 | 1.84 | 3.42 | 2.12 | 3.66 | 2.38 | 3.91 | 2.60 | 4.03 | 2.98 |
| 40.0 | 2.26 | 1.00 | 2.55 | 1.14 | 2.69 | 1.31 | 2.88 | 1.47 | 3.08 | 1.61 | 3.17 | 1.85 |
| 46.0 | 1.65 | 0.53 | 1.86 | 0.61 | 1.96 | 0.70 | 2.10 | 0.78 | 2.25 | 0.86 | 2.31 | 0.98 |

Model: ASYG14KETA, ASYG14KETA-B

| Outdoor temperature | Indoor temperature (°CDB / °CWB) | | | | | | | | | | | |
|---------------------|----------------------------------|------|-------------|------|-------------|------|-------------|------|-------------|------|-------------|------|
| | 18.0 / 12.0 | | 21.0 / 15.0 | | 23.0 / 16.0 | | 27.0 / 19.0 | | 29.0 / 21.0 | | 32.0 / 23.0 | |
| (°CDB) | TC | SHC | TC | SHC | TC | SHC | TC | SHC | TC | SHC | TC | SHC |
| -10.0 | 3.03 | 1.71 | 3.43 | 1.94 | 3.61 | 2.24 | 3.87 | 2.52 | 4.14 | 2.75 | 4.26 | 3.15 |
| 0.0 | 3.03 | 1.71 | 3.43 | 1.94 | 3.61 | 2.24 | 3.87 | 2.52 | 4.14 | 2.75 | 4.26 | 3.15 |
| 5.0 | 3.03 | 1.71 | 3.43 | 1.94 | 3.61 | 2.24 | 3.87 | 2.52 | 4.14 | 2.75 | 4.26 | 3.15 |
| 10.0 | 3.03 | 1.71 | 3.43 | 1.94 | 3.61 | 2.24 | 3.87 | 2.52 | 4.14 | 2.75 | 4.26 | 3.15 |
| 15.0 | 3.03 | 1.71 | 3.43 | 1.94 | 3.61 | 2.24 | 3.87 | 2.52 | 4.14 | 2.75 | 4.26 | 3.15 |
| 20.0 | 3.03 | 1.71 | 3.43 | 1.94 | 3.61 | 2.24 | 3.87 | 2.52 | 4.14 | 2.75 | 4.26 | 3.15 |
| 25.0 | 3.03 | 1.71 | 3.43 | 1.94 | 3.61 | 2.24 | 3.87 | 2.52 | 4.14 | 2.75 | 4.26 | 3.15 |
| 30.0 | 3.03 | 1.71 | 3.43 | 1.94 | 3.61 | 2.24 | 3.87 | 2.52 | 4.14 | 2.75 | 4.26 | 3.15 |
| 35.0 | 3.03 | 1.71 | 3.43 | 1.94 | 3.61 | 2.24 | 3.87 | 2.52 | 4.14 | 2.75 | 4.26 | 3.15 |
| 40.0 | 2.39 | 1.06 | 2.70 | 1.20 | 2.84 | 1.39 | 3.05 | 1.56 | 3.26 | 1.70 | 3.36 | 1.95 |
| 46.0 | 1.74 | 0.56 | 1.97 | 0.64 | 2.07 | 0.74 | 2.22 | 0.83 | 2.37 | 0.91 | 2.45 | 1.04 |

NOTES:

- TC: Total Capacity (kW), SHC: Sensible Heat Capacity (kW)
- Values mentioned in the table are based on the following conditions:
 - Pipe length: 5 m, Height difference: 0 m (Outdoor unit—Indoor unit)

● Floor type

Model: AGYG09KVCA

| Outdoor temperature | Indoor temperature (°CDB / °CWB) | | | | | | | | | | | |
|---------------------|----------------------------------|------|-------------|------|-------------|------|-------------|------|-------------|------|-------------|------|
| | 18.0 / 12.0 | | 21.0 / 15.0 | | 23.0 / 16.0 | | 27.0 / 19.0 | | 29.0 / 21.0 | | 32.0 / 23.0 | |
| (°CDB) | TC | SHC | TC | SHC | TC | SHC | TC | SHC | TC | SHC | TC | SHC |
| -10.0 | 2.51 | 1.71 | 2.84 | 1.95 | 2.99 | 2.25 | 3.20 | 2.53 | 3.42 | 2.76 | 3.53 | 3.17 |
| -5.0 | 2.51 | 1.71 | 2.84 | 1.95 | 2.99 | 2.25 | 3.20 | 2.53 | 3.42 | 2.76 | 3.53 | 3.17 |
| 0.0 | 2.51 | 1.71 | 2.84 | 1.95 | 2.99 | 2.25 | 3.20 | 2.53 | 3.42 | 2.76 | 3.53 | 3.17 |
| 5.0 | 2.51 | 1.71 | 2.84 | 1.95 | 2.99 | 2.25 | 3.20 | 2.53 | 3.42 | 2.76 | 3.53 | 3.17 |
| 10.0 | 2.51 | 1.71 | 2.84 | 1.95 | 2.99 | 2.25 | 3.20 | 2.53 | 3.42 | 2.76 | 3.53 | 3.17 |
| 15.0 | 2.51 | 1.71 | 2.84 | 1.95 | 2.99 | 2.25 | 3.20 | 2.53 | 3.42 | 2.76 | 3.53 | 3.17 |
| 20.0 | 2.51 | 1.71 | 2.84 | 1.95 | 2.99 | 2.25 | 3.20 | 2.53 | 3.42 | 2.76 | 3.53 | 3.17 |
| 25.0 | 2.51 | 1.71 | 2.84 | 1.95 | 2.99 | 2.25 | 3.20 | 2.53 | 3.42 | 2.76 | 3.53 | 3.17 |
| 30.0 | 2.51 | 1.71 | 2.84 | 1.95 | 2.99 | 2.25 | 3.20 | 2.53 | 3.42 | 2.76 | 3.53 | 3.17 |
| 35.0 | 2.51 | 1.71 | 2.84 | 1.95 | 2.99 | 2.25 | 3.20 | 2.53 | 3.42 | 2.76 | 3.53 | 3.17 |
| 40.0 | 2.37 | 1.53 | 2.68 | 1.75 | 2.83 | 2.01 | 3.03 | 2.26 | 3.24 | 2.48 | 3.34 | 2.84 |
| 46.0 | 2.24 | 1.37 | 2.53 | 1.56 | 2.67 | 1.79 | 2.86 | 2.01 | 3.05 | 2.20 | 3.15 | 2.52 |

OUTDOOR UNIT
AOYG14-18KETA2OUTDOOR UNIT
AOYG14-18KETA2

Model: AGYG12KVCA

| Outdoor temperature | Indoor temperature (°CDB / °CWB) | | | | | | | | | | | |
|---------------------|----------------------------------|------|-------------|------|-------------|------|-------------|------|-------------|------|-------------|------|
| | 18.0 / 12.0 | | 21.0 / 15.0 | | 23.0 / 16.0 | | 27.0 / 19.0 | | 29.0 / 21.0 | | 32.0 / 23.0 | |
| (°CDB) | TC | SHC | TC | SHC | TC | SHC | TC | SHC | TC | SHC | TC | SHC |
| -10.0 | 2.87 | 1.84 | 3.24 | 2.09 | 3.42 | 2.41 | 3.66 | 2.71 | 3.91 | 2.96 | 4.03 | 3.39 |
| -5.0 | 2.87 | 1.84 | 3.24 | 2.09 | 3.42 | 2.41 | 3.66 | 2.71 | 3.91 | 2.96 | 4.03 | 3.39 |
| 0.0 | 2.87 | 1.84 | 3.24 | 2.09 | 3.42 | 2.41 | 3.66 | 2.71 | 3.91 | 2.96 | 4.03 | 3.39 |
| 5.0 | 2.87 | 1.84 | 3.24 | 2.09 | 3.42 | 2.41 | 3.66 | 2.71 | 3.91 | 2.96 | 4.03 | 3.39 |
| 10.0 | 2.87 | 1.84 | 3.24 | 2.09 | 3.42 | 2.41 | 3.66 | 2.71 | 3.91 | 2.96 | 4.03 | 3.39 |
| 15.0 | 2.87 | 1.84 | 3.24 | 2.09 | 3.42 | 2.41 | 3.66 | 2.71 | 3.91 | 2.96 | 4.03 | 3.39 |
| 20.0 | 2.87 | 1.84 | 3.24 | 2.09 | 3.42 | 2.41 | 3.66 | 2.71 | 3.91 | 2.96 | 4.03 | 3.39 |
| 25.0 | 2.87 | 1.84 | 3.24 | 2.09 | 3.42 | 2.41 | 3.66 | 2.71 | 3.91 | 2.96 | 4.03 | 3.39 |
| 30.0 | 2.87 | 1.84 | 3.24 | 2.09 | 3.42 | 2.41 | 3.66 | 2.71 | 3.91 | 2.96 | 4.03 | 3.39 |
| 35.0 | 2.87 | 1.84 | 3.24 | 2.09 | 3.42 | 2.41 | 3.66 | 2.71 | 3.91 | 2.96 | 4.03 | 3.39 |
| 40.0 | 2.72 | 1.64 | 3.07 | 1.87 | 3.23 | 2.16 | 3.46 | 2.42 | 3.70 | 2.65 | 3.82 | 3.04 |
| 46.0 | 2.56 | 1.46 | 2.89 | 1.67 | 3.05 | 1.92 | 3.27 | 2.16 | 3.49 | 2.36 | 3.60 | 2.70 |

Model: AGYG14KVCA

| Outdoor temperature | Indoor temperature (°CDB / °CWB) | | | | | | | | | | | |
|---------------------|----------------------------------|------|-------------|------|-------------|------|-------------|------|-------------|------|-------------|------|
| | 18.0 / 12.0 | | 21.0 / 15.0 | | 23.0 / 16.0 | | 27.0 / 19.0 | | 29.0 / 21.0 | | 32.0 / 23.0 | |
| (°CDB) | TC | SHC | TC | SHC | TC | SHC | TC | SHC | TC | SHC | TC | SHC |
| -10.0 | 3.03 | 1.89 | 3.43 | 2.15 | 3.61 | 2.48 | 3.87 | 2.79 | 4.14 | 3.05 | 4.26 | 3.49 |
| -5.0 | 3.03 | 1.89 | 3.43 | 2.15 | 3.61 | 2.48 | 3.87 | 2.79 | 4.14 | 3.05 | 4.26 | 3.49 |
| 0.0 | 3.03 | 1.89 | 3.43 | 2.15 | 3.61 | 2.48 | 3.87 | 2.79 | 4.14 | 3.05 | 4.26 | 3.49 |
| 5.0 | 3.03 | 1.89 | 3.43 | 2.15 | 3.61 | 2.48 | 3.87 | 2.79 | 4.14 | 3.05 | 4.26 | 3.49 |
| 10.0 | 3.03 | 1.89 | 3.43 | 2.15 | 3.61 | 2.48 | 3.87 | 2.79 | 4.14 | 3.05 | 4.26 | 3.49 |
| 15.0 | 3.03 | 1.89 | 3.43 | 2.15 | 3.61 | 2.48 | 3.87 | 2.79 | 4.14 | 3.05 | 4.26 | 3.49 |
| 20.0 | 3.03 | 1.89 | 3.43 | 2.15 | 3.61 | 2.48 | 3.87 | 2.79 | 4.14 | 3.05 | 4.26 | 3.49 |
| 25.0 | 3.03 | 1.89 | 3.43 | 2.15 | 3.61 | 2.48 | 3.87 | 2.79 | 4.14 | 3.05 | 4.26 | 3.49 |
| 30.0 | 3.03 | 1.89 | 3.43 | 2.15 | 3.61 | 2.48 | 3.87 | 2.79 | 4.14 | 3.05 | 4.26 | 3.49 |
| 35.0 | 3.03 | 1.89 | 3.43 | 2.15 | 3.61 | 2.48 | 3.87 | 2.79 | 4.14 | 3.05 | 4.26 | 3.49 |
| 40.0 | 2.87 | 1.69 | 3.24 | 1.93 | 3.42 | 2.22 | 3.66 | 2.49 | 3.91 | 2.73 | 4.04 | 3.13 |
| 46.0 | 2.71 | 1.50 | 3.06 | 1.72 | 3.23 | 1.97 | 3.45 | 2.22 | 3.69 | 2.43 | 3.81 | 2.78 |

NOTES:

- TC: Total Capacity (kW), SHC: Sensible Heat Capacity (kW)
- Values mentioned in the table are based on the following conditions:
 - Pipe length: 5 m, Height difference: 0 m (Outdoor unit—Indoor unit)

6-3. Heating capacity

NOTE: Values mentioned in the table are calculated based on the maximum capacity.

Model: AOYG14KBT A2

| Indoor unit connecting capacity | Outdoor temperature | | Indoor temperature | | | | | | | | | |
|---------------------------------|---------------------|-------|--------------------|------|-----------|------|-----------|------|-----------|------|-----------|------|
| | | | 16.0 °CDB | | 18.0 °CDB | | 20.0 °CDB | | 22.0 °CDB | | 24.0 °CDB | |
| kBtu/h | °CDB | °CWB | TC | IP | TC | IP | TC | IP | TC | IP | TC | IP |
| 21 | -15.0 | -16.0 | 3.30 | 1.34 | 3.30 | 1.37 | 3.20 | 1.40 | 3.10 | 1.43 | 3.00 | 1.46 |
| | -10.0 | -11.0 | 3.80 | 1.39 | 3.70 | 1.42 | 3.60 | 1.45 | 3.50 | 1.48 | 3.40 | 1.51 |
| | -5.0 | -7.0 | 4.20 | 1.44 | 4.10 | 1.47 | 4.00 | 1.50 | 3.90 | 1.53 | 3.80 | 1.56 |
| | 0.0 | -2.0 | 5.30 | 1.46 | 5.20 | 1.49 | 5.10 | 1.52 | 4.90 | 1.55 | 4.80 | 1.58 |
| | 5.0 | 3.0 | 5.70 | 1.47 | 5.60 | 1.50 | 5.50 | 1.53 | 5.30 | 1.56 | 5.20 | 1.59 |
| | 7.0 | 6.0 | 5.80 | 1.63 | 5.60 | 1.67 | 5.50 | 1.70 | 5.40 | 1.73 | 5.20 | 1.77 |
| | 10.0 | 8.0 | 5.80 | 1.32 | 5.60 | 1.34 | 5.50 | 1.37 | 5.40 | 1.40 | 5.20 | 1.43 |
| | 15.0 | 10.0 | 5.80 | 1.20 | 5.60 | 1.23 | 5.50 | 1.25 | 5.40 | 1.28 | 5.20 | 1.30 |
| | 20.0 | 15.0 | 5.80 | 0.94 | 5.60 | 0.96 | 5.50 | 0.98 | 5.40 | 1.00 | 5.20 | 1.02 |
| 24.0 | 18.0 | 5.80 | 0.84 | 5.60 | 0.86 | 5.50 | 0.88 | 5.40 | 0.89 | 5.20 | 0.91 | |
| 19 | -15.0 | -16.0 | 3.30 | 1.34 | 3.30 | 1.37 | 3.20 | 1.40 | 3.10 | 1.43 | 3.00 | 1.46 |
| | -10.0 | -11.0 | 3.80 | 1.39 | 3.70 | 1.42 | 3.60 | 1.45 | 3.50 | 1.48 | 3.40 | 1.51 |
| | -5.0 | -7.0 | 4.20 | 1.44 | 4.10 | 1.47 | 4.00 | 1.50 | 3.90 | 1.53 | 3.80 | 1.56 |
| | 0.0 | -2.0 | 5.30 | 1.46 | 5.20 | 1.49 | 5.10 | 1.52 | 4.90 | 1.55 | 4.80 | 1.58 |
| | 5.0 | 3.0 | 5.70 | 1.47 | 5.60 | 1.50 | 5.50 | 1.53 | 5.30 | 1.56 | 5.20 | 1.59 |
| | 7.0 | 6.0 | 5.80 | 1.63 | 5.60 | 1.67 | 5.50 | 1.70 | 5.40 | 1.73 | 5.20 | 1.77 |
| | 10.0 | 8.0 | 5.80 | 1.32 | 5.60 | 1.34 | 5.50 | 1.37 | 5.40 | 1.40 | 5.20 | 1.43 |
| | 15.0 | 10.0 | 5.80 | 1.20 | 5.60 | 1.23 | 5.50 | 1.25 | 5.40 | 1.28 | 5.20 | 1.30 |
| | 20.0 | 15.0 | 5.80 | 0.94 | 5.60 | 0.96 | 5.50 | 0.98 | 5.40 | 1.00 | 5.20 | 1.02 |
| 24.0 | 18.0 | 5.80 | 0.84 | 5.60 | 0.86 | 5.50 | 0.88 | 5.40 | 0.89 | 5.20 | 0.91 | |
| 18 | -15.0 | -16.0 | 3.30 | 1.34 | 3.30 | 1.37 | 3.20 | 1.40 | 3.10 | 1.43 | 3.00 | 1.46 |
| | -10.0 | -11.0 | 3.80 | 1.39 | 3.70 | 1.42 | 3.60 | 1.45 | 3.50 | 1.48 | 3.40 | 1.51 |
| | -5.0 | -7.0 | 4.20 | 1.44 | 4.10 | 1.47 | 4.00 | 1.50 | 3.90 | 1.53 | 3.80 | 1.56 |
| | 0.0 | -2.0 | 5.30 | 1.46 | 5.20 | 1.49 | 5.10 | 1.52 | 4.90 | 1.55 | 4.80 | 1.58 |
| | 5.0 | 3.0 | 5.70 | 1.47 | 5.60 | 1.50 | 5.50 | 1.53 | 5.30 | 1.56 | 5.20 | 1.59 |
| | 7.0 | 6.0 | 5.80 | 1.63 | 5.60 | 1.67 | 5.50 | 1.70 | 5.40 | 1.73 | 5.20 | 1.77 |
| | 10.0 | 8.0 | 5.80 | 1.32 | 5.60 | 1.34 | 5.50 | 1.37 | 5.40 | 1.40 | 5.20 | 1.43 |
| | 15.0 | 10.0 | 5.80 | 1.20 | 5.60 | 1.23 | 5.50 | 1.25 | 5.40 | 1.28 | 5.20 | 1.30 |
| | 20.0 | 15.0 | 5.80 | 0.94 | 5.60 | 0.96 | 5.50 | 0.98 | 5.40 | 1.00 | 5.20 | 1.02 |
| 24.0 | 18.0 | 5.80 | 0.84 | 5.60 | 0.86 | 5.50 | 0.88 | 5.40 | 0.89 | 5.20 | 0.91 | |
| 16 | -15.0 | -16.0 | 3.30 | 1.34 | 3.30 | 1.37 | 3.20 | 1.40 | 3.10 | 1.43 | 3.00 | 1.46 |
| | -10.0 | -11.0 | 3.80 | 1.39 | 3.70 | 1.42 | 3.60 | 1.45 | 3.50 | 1.48 | 3.40 | 1.51 |
| | -5.0 | -7.0 | 4.20 | 1.44 | 4.10 | 1.47 | 4.00 | 1.50 | 3.90 | 1.53 | 3.80 | 1.56 |
| | 0.0 | -2.0 | 5.30 | 1.46 | 5.20 | 1.49 | 5.10 | 1.52 | 4.90 | 1.55 | 4.80 | 1.58 |
| | 5.0 | 3.0 | 5.70 | 1.47 | 5.60 | 1.50 | 5.50 | 1.53 | 5.30 | 1.56 | 5.20 | 1.59 |
| | 7.0 | 6.0 | 5.80 | 1.63 | 5.60 | 1.67 | 5.50 | 1.70 | 5.40 | 1.73 | 5.20 | 1.77 |
| | 10.0 | 8.0 | 5.80 | 1.32 | 5.60 | 1.34 | 5.50 | 1.37 | 5.40 | 1.40 | 5.20 | 1.43 |
| | 15.0 | 10.0 | 5.80 | 1.20 | 5.60 | 1.23 | 5.50 | 1.25 | 5.40 | 1.28 | 5.20 | 1.30 |
| | 20.0 | 15.0 | 5.80 | 0.94 | 5.60 | 0.96 | 5.50 | 0.98 | 5.40 | 1.00 | 5.20 | 1.02 |
| 24.0 | 18.0 | 5.80 | 0.84 | 5.60 | 0.86 | 5.50 | 0.88 | 5.40 | 0.89 | 5.20 | 0.91 | |
| 14 | -15.0 | -16.0 | 3.30 | 1.34 | 3.30 | 1.36 | 3.20 | 1.39 | 3.10 | 1.42 | 3.00 | 1.45 |
| | -10.0 | -11.0 | 3.80 | 1.39 | 3.70 | 1.42 | 3.60 | 1.45 | 3.50 | 1.47 | 3.40 | 1.50 |
| | -5.0 | -7.0 | 4.20 | 1.44 | 4.10 | 1.47 | 4.00 | 1.50 | 3.90 | 1.53 | 3.80 | 1.56 |
| | 0.0 | -2.0 | 5.30 | 1.45 | 5.20 | 1.48 | 5.10 | 1.51 | 4.90 | 1.54 | 4.80 | 1.57 |
| | 5.0 | 3.0 | 5.70 | 1.46 | 5.60 | 1.49 | 5.50 | 1.52 | 5.30 | 1.55 | 5.20 | 1.58 |
| | 7.0 | 6.0 | 5.80 | 1.63 | 5.60 | 1.67 | 5.50 | 1.70 | 5.40 | 1.73 | 5.20 | 1.77 |
| | 10.0 | 8.0 | 5.80 | 1.32 | 5.60 | 1.34 | 5.50 | 1.37 | 5.40 | 1.40 | 5.20 | 1.43 |
| | 15.0 | 10.0 | 5.80 | 1.20 | 5.60 | 1.23 | 5.50 | 1.25 | 5.40 | 1.28 | 5.20 | 1.30 |
| | 20.0 | 15.0 | 5.80 | 0.94 | 5.60 | 0.96 | 5.50 | 0.98 | 5.40 | 1.00 | 5.20 | 1.02 |
| 24.0 | 18.0 | 5.80 | 0.84 | 5.60 | 0.86 | 5.50 | 0.88 | 5.40 | 0.89 | 5.20 | 0.91 | |

NOTES:

- TC: Total Capacity (kW), IP: Input Power (kW)
- Values mentioned in the table are based on the following conditions:
 - Power source of specifications: 230 V
 - Pipe length: 5 m, Height difference: 0 m (Outdoor unit—Indoor unit)
- 2 or more indoor units should be connected.
- The total ability of connected a indoor unit is from 14,000 Btu/h up to 21,000 Btu/h.
- Input in the table are calculated based on the maximum indoor unit input combinations.

● Compact cassette type

Model: AUXG07KVLA

| Outdoor temperature | | Indoor temperature (°CDB) | | | | |
|---------------------|--------|---------------------------|------|------|------|------|
| | | 16.0 | 18.0 | 20.0 | 22.0 | 24.0 |
| (°CDB) | (°CWB) | TC | TC | TC | TC | TC |
| -15.0 | -16.0 | 1.67 | 1.63 | 1.59 | 1.55 | 1.51 |
| -10.0 | -11.0 | 1.88 | 1.84 | 1.79 | 1.75 | 1.70 |
| -5.0 | -7.0 | 2.10 | 2.05 | 2.00 | 1.95 | 1.90 |
| 0.0 | -2.0 | 2.66 | 2.60 | 2.54 | 2.47 | 2.41 |
| 5.0 | 3.0 | 2.87 | 2.80 | 2.73 | 2.67 | 2.60 |
| 7.0 | 6.0 | 2.89 | 2.82 | 2.75 | 2.68 | 2.61 |
| 10.0 | 8.0 | 2.89 | 2.82 | 2.75 | 2.68 | 2.61 |
| 15.0 | 10.0 | 2.89 | 2.82 | 2.75 | 2.68 | 2.61 |
| 20.0 | 15.0 | 2.89 | 2.82 | 2.75 | 2.68 | 2.61 |
| 24.0 | 18.0 | 2.89 | 2.82 | 2.75 | 2.68 | 2.61 |

Model: AUXG09KVLA

| Outdoor temperature | | Indoor temperature (°CDB) | | | | |
|---------------------|--------|---------------------------|------|------|------|------|
| | | 16.0 | 18.0 | 20.0 | 22.0 | 24.0 |
| (°CDB) | (°CWB) | TC | TC | TC | TC | TC |
| -15.0 | -16.0 | 1.87 | 1.83 | 1.79 | 1.74 | 1.70 |
| -10.0 | -11.0 | 2.12 | 2.07 | 2.02 | 1.96 | 1.91 |
| -5.0 | -7.0 | 2.36 | 2.30 | 2.24 | 2.19 | 2.13 |
| 0.0 | -2.0 | 2.99 | 2.92 | 2.85 | 2.78 | 2.71 |
| 5.0 | 3.0 | 3.23 | 3.15 | 3.07 | 3.00 | 2.92 |
| 7.0 | 6.0 | 3.24 | 3.17 | 3.09 | 3.01 | 2.94 |
| 10.0 | 8.0 | 3.24 | 3.17 | 3.09 | 3.01 | 2.94 |
| 15.0 | 10.0 | 3.24 | 3.17 | 3.09 | 3.01 | 2.94 |
| 20.0 | 15.0 | 3.24 | 3.17 | 3.09 | 3.01 | 2.94 |
| 24.0 | 18.0 | 3.24 | 3.17 | 3.09 | 3.01 | 2.94 |

Model: AUXG12KVLA

| Outdoor temperature | | Indoor temperature (°CDB) | | | | |
|---------------------|--------|---------------------------|------|------|------|------|
| | | 16.0 | 18.0 | 20.0 | 22.0 | 24.0 |
| (°CDB) | (°CWB) | TC | TC | TC | TC | TC |
| -15.0 | -16.0 | 2.11 | 2.06 | 2.01 | 1.95 | 1.90 |
| -10.0 | -11.0 | 2.38 | 2.32 | 2.26 | 2.21 | 2.15 |
| -5.0 | -7.0 | 2.65 | 2.58 | 2.52 | 2.46 | 2.39 |
| 0.0 | -2.0 | 3.36 | 3.28 | 3.20 | 3.12 | 3.04 |
| 5.0 | 3.0 | 3.62 | 3.54 | 3.45 | 3.36 | 3.28 |
| 7.0 | 6.0 | 3.64 | 3.56 | 3.47 | 3.38 | 3.30 |
| 10.0 | 8.0 | 3.64 | 3.56 | 3.47 | 3.38 | 3.30 |
| 15.0 | 10.0 | 3.64 | 3.56 | 3.47 | 3.38 | 3.30 |
| 20.0 | 15.0 | 3.64 | 3.56 | 3.47 | 3.38 | 3.30 |
| 24.0 | 18.0 | 3.64 | 3.56 | 3.47 | 3.38 | 3.30 |

NOTES:

- TC: Total Capacity (kW)
- Values mentioned in the table are based on the following conditions:
 - Pipe length: 5 m, Height difference: 0 m (Outdoor unit—Indoor unit)

● Mini duct type

Model: ARXG07KSLAP

| Outdoor temperature | | Indoor temperature (°CDB) | | | | |
|---------------------|--------|---------------------------|------|------|------|------|
| | | 16.0 | 18.0 | 20.0 | 22.0 | 24.0 |
| (°CDB) | (°CWB) | TC | TC | TC | TC | TC |
| -15.0 | -16.0 | 1.67 | 1.63 | 1.59 | 1.55 | 1.51 |
| -10.0 | -11.0 | 1.88 | 1.84 | 1.79 | 1.75 | 1.70 |
| -5.0 | -7.0 | 2.10 | 2.05 | 2.00 | 1.95 | 1.90 |
| 0.0 | -2.0 | 2.66 | 2.60 | 2.54 | 2.47 | 2.41 |
| 5.0 | 3.0 | 2.87 | 2.80 | 2.73 | 2.67 | 2.60 |
| 7.0 | 6.0 | 2.89 | 2.82 | 2.75 | 2.68 | 2.61 |
| 10.0 | 8.0 | 2.89 | 2.82 | 2.75 | 2.68 | 2.61 |
| 15.0 | 10.0 | 2.89 | 2.82 | 2.75 | 2.68 | 2.61 |
| 20.0 | 15.0 | 2.89 | 2.82 | 2.75 | 2.68 | 2.61 |
| 24.0 | 18.0 | 2.89 | 2.82 | 2.75 | 2.68 | 2.61 |

Model: ARXG09KSLAP

| Outdoor temperature | | Indoor temperature (°CDB) | | | | |
|---------------------|--------|---------------------------|------|------|------|------|
| | | 16.0 | 18.0 | 20.0 | 22.0 | 24.0 |
| (°CDB) | (°CWB) | TC | TC | TC | TC | TC |
| -15.0 | -16.0 | 1.87 | 1.83 | 1.79 | 1.74 | 1.70 |
| -10.0 | -11.0 | 2.12 | 2.07 | 2.02 | 1.96 | 1.91 |
| -5.0 | -7.0 | 2.36 | 2.30 | 2.24 | 2.19 | 2.13 |
| 0.0 | -2.0 | 2.99 | 2.92 | 2.85 | 2.78 | 2.71 |
| 5.0 | 3.0 | 3.23 | 3.15 | 3.07 | 3.00 | 2.92 |
| 7.0 | 6.0 | 3.24 | 3.17 | 3.09 | 3.01 | 2.94 |
| 10.0 | 8.0 | 3.24 | 3.17 | 3.09 | 3.01 | 2.94 |
| 15.0 | 10.0 | 3.24 | 3.17 | 3.09 | 3.01 | 2.94 |
| 20.0 | 15.0 | 3.24 | 3.17 | 3.09 | 3.01 | 2.94 |
| 24.0 | 18.0 | 3.24 | 3.17 | 3.09 | 3.01 | 2.94 |

Model: ARXG12KSLAP

| Outdoor temperature | | Indoor temperature (°CDB) | | | | |
|---------------------|--------|---------------------------|------|------|------|------|
| | | 16.0 | 18.0 | 20.0 | 22.0 | 24.0 |
| (°CDB) | (°CWB) | TC | TC | TC | TC | TC |
| -15.0 | -16.0 | 2.11 | 2.06 | 2.01 | 1.95 | 1.90 |
| -10.0 | -11.0 | 2.38 | 2.32 | 2.26 | 2.21 | 2.15 |
| -5.0 | -7.0 | 2.65 | 2.58 | 2.52 | 2.46 | 2.39 |
| 0.0 | -2.0 | 3.36 | 3.28 | 3.20 | 3.12 | 3.04 |
| 5.0 | 3.0 | 3.62 | 3.54 | 3.45 | 3.36 | 3.28 |
| 7.0 | 6.0 | 3.64 | 3.56 | 3.47 | 3.38 | 3.30 |
| 10.0 | 8.0 | 3.64 | 3.56 | 3.47 | 3.38 | 3.30 |
| 15.0 | 10.0 | 3.64 | 3.56 | 3.47 | 3.38 | 3.30 |
| 20.0 | 15.0 | 3.64 | 3.56 | 3.47 | 3.38 | 3.30 |
| 24.0 | 18.0 | 3.64 | 3.56 | 3.47 | 3.38 | 3.30 |

NOTES:

- TC: Total Capacity (kW)
- Values mentioned in the table are based on the following conditions:
 - Pipe length: 5 m, Height difference: 0 m [Outdoor unit—Indoor unit]

● Slim duct type

Model: ARXG07KLLAP

| Outdoor temperature | | Indoor temperature (°CDB) | | | | |
|---------------------|--------|---------------------------|------|------|------|------|
| | | 16.0 | 18.0 | 20.0 | 22.0 | 24.0 |
| (°CDB) | (°CWB) | TC | TC | TC | TC | TC |
| -15.0 | -16.0 | 1.67 | 1.63 | 1.59 | 1.55 | 1.51 |
| -10.0 | -11.0 | 1.88 | 1.84 | 1.79 | 1.75 | 1.70 |
| -5.0 | -7.0 | 2.10 | 2.05 | 2.00 | 1.95 | 1.90 |
| 0.0 | -2.0 | 2.66 | 2.60 | 2.54 | 2.47 | 2.41 |
| 5.0 | 3.0 | 2.87 | 2.80 | 2.73 | 2.67 | 2.60 |
| 7.0 | 6.0 | 2.89 | 2.82 | 2.75 | 2.68 | 2.61 |
| 10.0 | 8.0 | 2.89 | 2.82 | 2.75 | 2.68 | 2.61 |
| 15.0 | 10.0 | 2.89 | 2.82 | 2.75 | 2.68 | 2.61 |
| 20.0 | 15.0 | 2.89 | 2.82 | 2.75 | 2.68 | 2.61 |
| 24.0 | 18.0 | 2.89 | 2.82 | 2.75 | 2.68 | 2.61 |

Model: ARXG09KLLAP

| Outdoor temperature | | Indoor temperature (°CDB) | | | | |
|---------------------|--------|---------------------------|------|------|------|------|
| | | 16.0 | 18.0 | 20.0 | 22.0 | 24.0 |
| (°CDB) | (°CWB) | TC | TC | TC | TC | TC |
| -15.0 | -16.0 | 1.87 | 1.83 | 1.79 | 1.74 | 1.70 |
| -10.0 | -11.0 | 2.12 | 2.07 | 2.02 | 1.96 | 1.91 |
| -5.0 | -7.0 | 2.36 | 2.30 | 2.24 | 2.19 | 2.13 |
| 0.0 | -2.0 | 2.99 | 2.92 | 2.85 | 2.78 | 2.71 |
| 5.0 | 3.0 | 3.23 | 3.15 | 3.07 | 3.00 | 2.92 |
| 7.0 | 6.0 | 3.24 | 3.17 | 3.09 | 3.01 | 2.94 |
| 10.0 | 8.0 | 3.24 | 3.17 | 3.09 | 3.01 | 2.94 |
| 15.0 | 10.0 | 3.24 | 3.17 | 3.09 | 3.01 | 2.94 |
| 20.0 | 15.0 | 3.24 | 3.17 | 3.09 | 3.01 | 2.94 |
| 24.0 | 18.0 | 3.24 | 3.17 | 3.09 | 3.01 | 2.94 |

Model: ARXG12KLLAP

| Outdoor temperature | | Indoor temperature (°CDB) | | | | |
|---------------------|--------|---------------------------|------|------|------|------|
| | | 16.0 | 18.0 | 20.0 | 22.0 | 24.0 |
| (°CDB) | (°CWB) | TC | TC | TC | TC | TC |
| -15.0 | -16.0 | 2.11 | 2.06 | 2.01 | 1.95 | 1.90 |
| -10.0 | -11.0 | 2.38 | 2.32 | 2.26 | 2.21 | 2.15 |
| -5.0 | -7.0 | 2.65 | 2.58 | 2.52 | 2.46 | 2.39 |
| 0.0 | -2.0 | 3.36 | 3.28 | 3.20 | 3.12 | 3.04 |
| 5.0 | 3.0 | 3.62 | 3.54 | 3.45 | 3.36 | 3.28 |
| 7.0 | 6.0 | 3.64 | 3.56 | 3.47 | 3.38 | 3.30 |
| 10.0 | 8.0 | 3.64 | 3.56 | 3.47 | 3.38 | 3.30 |
| 15.0 | 10.0 | 3.64 | 3.56 | 3.47 | 3.38 | 3.30 |
| 20.0 | 15.0 | 3.64 | 3.56 | 3.47 | 3.38 | 3.30 |
| 24.0 | 18.0 | 3.64 | 3.56 | 3.47 | 3.38 | 3.30 |

NOTES:

- TC: Total Capacity (kW)
- Values mentioned in the table are based on the following conditions:
 - Pipe length: 5 m, Height difference: 0 m (Outdoor unit—Indoor unit)

● Wall mounted type

Model: ASYG07KGTB

| Outdoor temperature | | Indoor temperature (°CDB) | | | | |
|---------------------|--------|---------------------------|------|------|------|------|
| | | 16.0 | 18.0 | 20.0 | 22.0 | 24.0 |
| (°CDB) | (°CWB) | TC | TC | TC | TC | TC |
| -15.0 | -16.0 | 1.67 | 1.63 | 1.59 | 1.55 | 1.51 |
| -10.0 | -11.0 | 1.88 | 1.84 | 1.79 | 1.75 | 1.70 |
| -5.0 | -7.0 | 2.10 | 2.05 | 2.00 | 1.95 | 1.90 |
| 0.0 | -2.0 | 2.66 | 2.60 | 2.54 | 2.47 | 2.41 |
| 5.0 | 3.0 | 2.87 | 2.80 | 2.73 | 2.67 | 2.60 |
| 7.0 | 6.0 | 2.89 | 2.82 | 2.75 | 2.68 | 2.61 |
| 10.0 | 8.0 | 2.89 | 2.82 | 2.75 | 2.68 | 2.61 |
| 15.0 | 10.0 | 2.89 | 2.82 | 2.75 | 2.68 | 2.61 |
| 20.0 | 15.0 | 2.89 | 2.82 | 2.75 | 2.68 | 2.61 |
| 24.0 | 18.0 | 2.89 | 2.82 | 2.75 | 2.68 | 2.61 |

Model: ASYG09KGTB

| Outdoor temperature | | Indoor temperature (°CDB) | | | | |
|---------------------|--------|---------------------------|------|------|------|------|
| | | 16.0 | 18.0 | 20.0 | 22.0 | 24.0 |
| (°CDB) | (°CWB) | TC | TC | TC | TC | TC |
| -15.0 | -16.0 | 1.87 | 1.83 | 1.79 | 1.74 | 1.70 |
| -10.0 | -11.0 | 2.12 | 2.07 | 2.02 | 1.96 | 1.91 |
| -5.0 | -7.0 | 2.36 | 2.30 | 2.24 | 2.19 | 2.13 |
| 0.0 | -2.0 | 2.99 | 2.92 | 2.85 | 2.78 | 2.71 |
| 5.0 | 3.0 | 3.23 | 3.15 | 3.07 | 3.00 | 2.92 |
| 7.0 | 6.0 | 3.24 | 3.17 | 3.09 | 3.01 | 2.94 |
| 10.0 | 8.0 | 3.24 | 3.17 | 3.09 | 3.01 | 2.94 |
| 15.0 | 10.0 | 3.24 | 3.17 | 3.09 | 3.01 | 2.94 |
| 20.0 | 15.0 | 3.24 | 3.17 | 3.09 | 3.01 | 2.94 |
| 24.0 | 18.0 | 3.24 | 3.17 | 3.09 | 3.01 | 2.94 |

Model: ASYG12KGTB

| Outdoor temperature | | Indoor temperature (°CDB) | | | | |
|---------------------|--------|---------------------------|------|------|------|------|
| | | 16.0 | 18.0 | 20.0 | 22.0 | 24.0 |
| (°CDB) | (°CWB) | TC | TC | TC | TC | TC |
| -15.0 | -16.0 | 2.11 | 2.06 | 2.01 | 1.95 | 1.90 |
| -10.0 | -11.0 | 2.38 | 2.32 | 2.26 | 2.21 | 2.15 |
| -5.0 | -7.0 | 2.65 | 2.58 | 2.52 | 2.46 | 2.39 |
| 0.0 | -2.0 | 3.36 | 3.28 | 3.20 | 3.12 | 3.04 |
| 5.0 | 3.0 | 3.62 | 3.54 | 3.45 | 3.36 | 3.28 |
| 7.0 | 6.0 | 3.64 | 3.56 | 3.47 | 3.38 | 3.30 |
| 10.0 | 8.0 | 3.64 | 3.56 | 3.47 | 3.38 | 3.30 |
| 15.0 | 10.0 | 3.64 | 3.56 | 3.47 | 3.38 | 3.30 |
| 20.0 | 15.0 | 3.64 | 3.56 | 3.47 | 3.38 | 3.30 |
| 24.0 | 18.0 | 3.64 | 3.56 | 3.47 | 3.38 | 3.30 |

Models: ASYG07KMTB and ASYG07KMCC

| Outdoor temperature | | Indoor temperature (°CDB) | | | | |
|---------------------|--------|---------------------------|------|------|------|------|
| | | 16.0 | 18.0 | 20.0 | 22.0 | 24.0 |
| (°CDB) | (°CWB) | TC | TC | TC | TC | TC |
| -15.0 | -16.0 | 1.67 | 1.63 | 1.59 | 1.55 | 1.51 |
| -10.0 | -11.0 | 1.88 | 1.84 | 1.79 | 1.75 | 1.70 |
| -5.0 | -7.0 | 2.10 | 2.05 | 2.00 | 1.95 | 1.90 |
| 0.0 | -2.0 | 2.66 | 2.60 | 2.54 | 2.47 | 2.41 |
| 5.0 | 3.0 | 2.87 | 2.80 | 2.73 | 2.67 | 2.60 |
| 7.0 | 6.0 | 2.89 | 2.82 | 2.75 | 2.68 | 2.61 |
| 10.0 | 8.0 | 2.89 | 2.82 | 2.75 | 2.68 | 2.61 |
| 15.0 | 10.0 | 2.89 | 2.82 | 2.75 | 2.68 | 2.61 |
| 20.0 | 15.0 | 2.89 | 2.82 | 2.75 | 2.68 | 2.61 |
| 24.0 | 18.0 | 2.89 | 2.82 | 2.75 | 2.68 | 2.61 |

Models: ASYG09KMTB and ASYG09KMCC

| Outdoor temperature | | Indoor temperature (°CDB) | | | | |
|---------------------|--------|---------------------------|------|------|------|------|
| | | 16.0 | 18.0 | 20.0 | 22.0 | 24.0 |
| (°CDB) | (°CWB) | TC | TC | TC | TC | TC |
| -15.0 | -16.0 | 1.87 | 1.83 | 1.79 | 1.74 | 1.70 |
| -10.0 | -11.0 | 2.12 | 2.07 | 2.02 | 1.96 | 1.91 |
| -5.0 | -7.0 | 2.36 | 2.30 | 2.24 | 2.19 | 2.13 |
| 0.0 | -2.0 | 2.99 | 2.92 | 2.85 | 2.78 | 2.71 |
| 5.0 | 3.0 | 3.23 | 3.15 | 3.07 | 3.00 | 2.92 |
| 7.0 | 6.0 | 3.24 | 3.17 | 3.09 | 3.01 | 2.94 |
| 10.0 | 8.0 | 3.24 | 3.17 | 3.09 | 3.01 | 2.94 |
| 15.0 | 10.0 | 3.24 | 3.17 | 3.09 | 3.01 | 2.94 |
| 20.0 | 15.0 | 3.24 | 3.17 | 3.09 | 3.01 | 2.94 |
| 24.0 | 18.0 | 3.24 | 3.17 | 3.09 | 3.01 | 2.94 |

Models: ASYG12KMTB and ASYG12KMCC

| Outdoor temperature | | Indoor temperature (°CDB) | | | | |
|---------------------|--------|---------------------------|------|------|------|------|
| | | 16.0 | 18.0 | 20.0 | 22.0 | 24.0 |
| (°CDB) | (°CWB) | TC | TC | TC | TC | TC |
| -15.0 | -16.0 | 2.11 | 2.06 | 2.01 | 1.95 | 1.90 |
| -10.0 | -11.0 | 2.38 | 2.32 | 2.26 | 2.21 | 2.15 |
| -5.0 | -7.0 | 2.65 | 2.58 | 2.52 | 2.46 | 2.39 |
| 0.0 | -2.0 | 3.36 | 3.28 | 3.20 | 3.12 | 3.04 |
| 5.0 | 3.0 | 3.62 | 3.54 | 3.45 | 3.36 | 3.28 |
| 7.0 | 6.0 | 3.64 | 3.56 | 3.47 | 3.38 | 3.30 |
| 10.0 | 8.0 | 3.64 | 3.56 | 3.47 | 3.38 | 3.30 |
| 15.0 | 10.0 | 3.64 | 3.56 | 3.47 | 3.38 | 3.30 |
| 20.0 | 15.0 | 3.64 | 3.56 | 3.47 | 3.38 | 3.30 |
| 24.0 | 18.0 | 3.64 | 3.56 | 3.47 | 3.38 | 3.30 |

Model: ASYG07KETA, ASYG07KETA-B

| Outdoor temperature | | Indoor temperature (°CDB) | | | | |
|---------------------|--------|---------------------------|------|------|------|------|
| | | 16.0 | 18.0 | 20.0 | 22.0 | 24.0 |
| (°CDB) | (°CWB) | TC | TC | TC | TC | TC |
| -15.0 | -16.0 | 1.67 | 1.63 | 1.59 | 1.55 | 1.51 |
| -10.0 | -11.0 | 1.88 | 1.84 | 1.79 | 1.75 | 1.70 |
| -5.0 | -7.0 | 2.10 | 2.05 | 2.00 | 1.95 | 1.90 |
| 0.0 | -2.0 | 2.66 | 2.60 | 2.54 | 2.47 | 2.41 |
| 5.0 | 3.0 | 2.87 | 2.80 | 2.73 | 2.67 | 2.60 |
| 7.0 | 6.0 | 2.89 | 2.82 | 2.75 | 2.68 | 2.61 |
| 10.0 | 8.0 | 2.89 | 2.82 | 2.75 | 2.68 | 2.61 |
| 15.0 | 10.0 | 2.89 | 2.82 | 2.75 | 2.68 | 2.61 |
| 20.0 | 15.0 | 2.89 | 2.82 | 2.75 | 2.68 | 2.61 |
| 24.0 | 18.0 | 2.89 | 2.82 | 2.75 | 2.68 | 2.61 |

Model: ASYG09KETA, ASYG09KETA-B

| Outdoor temperature | | Indoor temperature (°CDB) | | | | |
|---------------------|--------|---------------------------|------|------|------|------|
| | | 16.0 | 18.0 | 20.0 | 22.0 | 24.0 |
| (°CDB) | (°CWB) | TC | TC | TC | TC | TC |
| -15.0 | -16.0 | 1.87 | 1.83 | 1.79 | 1.74 | 1.70 |
| -10.0 | -11.0 | 2.12 | 2.07 | 2.02 | 1.96 | 1.91 |
| -5.0 | -7.0 | 2.36 | 2.30 | 2.24 | 2.19 | 2.13 |
| 0.0 | -2.0 | 2.99 | 2.92 | 2.85 | 2.78 | 2.71 |
| 5.0 | 3.0 | 3.23 | 3.15 | 3.07 | 3.00 | 2.92 |
| 7.0 | 6.0 | 3.24 | 3.17 | 3.09 | 3.01 | 2.94 |
| 10.0 | 8.0 | 3.24 | 3.17 | 3.09 | 3.01 | 2.94 |
| 15.0 | 10.0 | 3.24 | 3.17 | 3.09 | 3.01 | 2.94 |
| 20.0 | 15.0 | 3.24 | 3.17 | 3.09 | 3.01 | 2.94 |
| 24.0 | 18.0 | 3.24 | 3.17 | 3.09 | 3.01 | 2.94 |

Model: ASYG12KETA, ASYG12KETA-B

| Outdoor temperature | | Indoor temperature (°CDB) | | | | |
|---------------------|--------|---------------------------|------|------|------|------|
| | | 16.0 | 18.0 | 20.0 | 22.0 | 24.0 |
| (°CDB) | (°CWB) | TC | TC | TC | TC | TC |
| -15.0 | -16.0 | 2.11 | 2.06 | 2.01 | 1.95 | 1.90 |
| -10.0 | -11.0 | 2.38 | 2.32 | 2.26 | 2.21 | 2.15 |
| -5.0 | -7.0 | 2.65 | 2.58 | 2.52 | 2.46 | 2.39 |
| 0.0 | -2.0 | 3.36 | 3.28 | 3.20 | 3.12 | 3.04 |
| 5.0 | 3.0 | 3.62 | 3.54 | 3.45 | 3.36 | 3.28 |
| 7.0 | 6.0 | 3.64 | 3.56 | 3.47 | 3.38 | 3.30 |
| 10.0 | 8.0 | 3.64 | 3.56 | 3.47 | 3.38 | 3.30 |
| 15.0 | 10.0 | 3.64 | 3.56 | 3.47 | 3.38 | 3.30 |
| 20.0 | 15.0 | 3.64 | 3.56 | 3.47 | 3.38 | 3.30 |
| 24.0 | 18.0 | 3.64 | 3.56 | 3.47 | 3.38 | 3.30 |

NOTES:

- TC: Total Capacity (kW)
- Values mentioned in the table are based on the following conditions:
 - Pipe length: 5 m, Height difference: 0 m (Outdoor unit—Indoor unit)

● Floor type

Model: AGYG09KVCA

| Outdoor temperature | | Indoor temperature (°CDB) | | | | |
|---------------------|--------|---------------------------|------|------|------|------|
| | | 16.0 | 18.0 | 20.0 | 22.0 | 24.0 |
| (°CDB) | (°CWB) | TC | TC | TC | TC | TC |
| -15.0 | -16.0 | 1.87 | 1.83 | 1.79 | 1.74 | 1.70 |
| -10.0 | -11.0 | 2.12 | 2.07 | 2.02 | 1.96 | 1.91 |
| -5.0 | -7.0 | 2.36 | 2.30 | 2.24 | 2.19 | 2.13 |
| 0.0 | -2.0 | 2.99 | 2.92 | 2.85 | 2.78 | 2.71 |
| 5.0 | 3.0 | 3.23 | 3.15 | 3.07 | 3.00 | 2.92 |
| 7.0 | 6.0 | 3.24 | 3.17 | 3.09 | 3.01 | 2.94 |
| 10.0 | 8.0 | 3.24 | 3.17 | 3.09 | 3.01 | 2.94 |
| 15.0 | 10.0 | 3.24 | 3.17 | 3.09 | 3.01 | 2.94 |
| 20.0 | 15.0 | 3.24 | 3.17 | 3.09 | 3.01 | 2.94 |
| 24.0 | 18.0 | 3.24 | 3.17 | 3.09 | 3.01 | 2.94 |

Model: AGYG12KVCA

| Outdoor temperature | | Indoor temperature (°CDB) | | | | |
|---------------------|--------|---------------------------|------|------|------|------|
| | | 16.0 | 18.0 | 20.0 | 22.0 | 24.0 |
| (°CDB) | (°CWB) | TC | TC | TC | TC | TC |
| -15.0 | -16.0 | 2.11 | 2.06 | 2.01 | 1.95 | 1.90 |
| -10.0 | -11.0 | 2.38 | 2.32 | 2.26 | 2.21 | 2.15 |
| -5.0 | -7.0 | 2.65 | 2.58 | 2.52 | 2.46 | 2.39 |
| 0.0 | -2.0 | 3.36 | 3.28 | 3.20 | 3.12 | 3.04 |
| 5.0 | 3.0 | 3.62 | 3.54 | 3.45 | 3.36 | 3.28 |
| 7.0 | 6.0 | 3.64 | 3.56 | 3.47 | 3.38 | 3.30 |
| 10.0 | 8.0 | 3.64 | 3.56 | 3.47 | 3.38 | 3.30 |
| 15.0 | 10.0 | 3.64 | 3.56 | 3.47 | 3.38 | 3.30 |
| 20.0 | 15.0 | 3.64 | 3.56 | 3.47 | 3.38 | 3.30 |
| 24.0 | 18.0 | 3.64 | 3.56 | 3.47 | 3.38 | 3.30 |

NOTES:

- TC: Total Capacity (kW)
- Values mentioned in the table are based on the following conditions:
 - Pipe length: 5 m, Height difference: 0 m (Outdoor unit—Indoor unit)

Model: AOYG18KBT A2

OUTDOOR UNIT
AOYG14-18KBT A2

OUTDOOR UNIT
AOYG14-18KBT A2

| Indoor unit connecting capacity | Outdoor temperature | | Indoor temperature | | | | | | | | | |
|---------------------------------|---------------------|-------|--------------------|------|-----------|------|-----------|------|-----------|------|-----------|------|
| | | | 16.0 °CDB | | 18.0 °CDB | | 20.0 °CDB | | 22.0 °CDB | | 24.0 °CDB | |
| kBtu/h | °CDB | °CWB | TC | IP | TC | IP | TC | IP | TC | IP | TC | IP |
| 26 | -15.0 | -16.0 | 4.0 | 1.63 | 3.9 | 1.67 | 3.8 | 1.70 | 3.7 | 1.73 | 3.6 | 1.77 |
| | -10.0 | -11.0 | 4.6 | 1.68 | 4.4 | 1.72 | 4.3 | 1.75 | 4.2 | 1.79 | 4.1 | 1.82 |
| | -5.0 | -7.0 | 5.2 | 1.73 | 5.0 | 1.76 | 4.9 | 1.80 | 4.8 | 1.84 | 4.7 | 1.87 |
| | 0.0 | -2.0 | 6.6 | 1.90 | 6.4 | 1.94 | 6.3 | 1.98 | 6.1 | 2.02 | 5.9 | 2.06 |
| | 5.0 | 3.0 | 7.4 | 1.90 | 7.2 | 1.94 | 7.0 | 1.98 | 6.8 | 2.02 | 6.7 | 2.06 |
| | 7.0 | 6.0 | 7.4 | 1.80 | 7.2 | 1.84 | 7.0 | 1.88 | 6.8 | 1.92 | 6.7 | 1.96 |
| | 10.0 | 8.0 | 7.4 | 1.69 | 7.2 | 1.73 | 7.0 | 1.77 | 6.8 | 1.80 | 6.7 | 1.84 |
| | 15.0 | 10.0 | 7.4 | 1.55 | 7.2 | 1.59 | 7.0 | 1.62 | 6.8 | 1.65 | 6.7 | 1.68 |
| | 20.0 | 15.0 | 7.4 | 1.31 | 7.2 | 1.34 | 7.0 | 1.37 | 6.8 | 1.40 | 6.7 | 1.42 |
| 24.0 | 18.0 | 7.4 | 1.15 | 7.2 | 1.18 | 7.0 | 1.20 | 6.8 | 1.23 | 6.7 | 1.25 | |
| 24 | -15.0 | -16.0 | 4.0 | 1.63 | 3.9 | 1.67 | 3.8 | 1.70 | 3.7 | 1.73 | 3.6 | 1.77 |
| | -10.0 | -11.0 | 4.6 | 1.68 | 4.4 | 1.72 | 4.3 | 1.75 | 4.2 | 1.79 | 4.1 | 1.82 |
| | -5.0 | -7.0 | 5.2 | 1.73 | 5.0 | 1.76 | 4.9 | 1.80 | 4.8 | 1.84 | 4.7 | 1.87 |
| | 0.0 | -2.0 | 6.6 | 1.90 | 6.4 | 1.94 | 6.3 | 1.98 | 6.1 | 2.02 | 5.9 | 2.06 |
| | 5.0 | 3.0 | 7.4 | 1.90 | 7.2 | 1.94 | 7.0 | 1.98 | 6.8 | 2.02 | 6.7 | 2.06 |
| | 7.0 | 6.0 | 7.4 | 1.80 | 7.2 | 1.84 | 7.0 | 1.88 | 6.8 | 1.92 | 6.7 | 1.96 |
| | 10.0 | 8.0 | 7.4 | 1.69 | 7.2 | 1.73 | 7.0 | 1.77 | 6.8 | 1.80 | 6.7 | 1.84 |
| | 15.0 | 10.0 | 7.4 | 1.55 | 7.2 | 1.59 | 7.0 | 1.62 | 6.8 | 1.65 | 6.7 | 1.68 |
| | 20.0 | 15.0 | 7.4 | 1.31 | 7.2 | 1.34 | 7.0 | 1.37 | 6.8 | 1.40 | 6.7 | 1.42 |
| 24.0 | 18.0 | 7.4 | 1.15 | 7.2 | 1.18 | 7.0 | 1.20 | 6.8 | 1.23 | 6.7 | 1.25 | |
| 23 | -15.0 | -16.0 | 4.0 | 1.63 | 3.9 | 1.67 | 3.8 | 1.70 | 3.7 | 1.73 | 3.6 | 1.77 |
| | -10.0 | -11.0 | 4.6 | 1.68 | 4.4 | 1.72 | 4.3 | 1.75 | 4.2 | 1.79 | 4.1 | 1.82 |
| | -5.0 | -7.0 | 5.2 | 1.73 | 5.0 | 1.76 | 4.9 | 1.80 | 4.8 | 1.84 | 4.7 | 1.87 |
| | 0.0 | -2.0 | 6.6 | 1.90 | 6.4 | 1.94 | 6.3 | 1.98 | 6.1 | 2.02 | 5.9 | 2.06 |
| | 5.0 | 3.0 | 7.4 | 1.90 | 7.2 | 1.94 | 7.0 | 1.98 | 6.8 | 2.02 | 6.7 | 2.06 |
| | 7.0 | 6.0 | 7.4 | 1.80 | 7.2 | 1.84 | 7.0 | 1.88 | 6.8 | 1.92 | 6.7 | 1.96 |
| | 10.0 | 8.0 | 7.4 | 1.69 | 7.2 | 1.73 | 7.0 | 1.77 | 6.8 | 1.80 | 6.7 | 1.84 |
| | 15.0 | 10.0 | 7.4 | 1.55 | 7.2 | 1.59 | 7.0 | 1.62 | 6.8 | 1.65 | 6.7 | 1.68 |
| | 20.0 | 15.0 | 7.4 | 1.31 | 7.2 | 1.34 | 7.0 | 1.37 | 6.8 | 1.40 | 6.7 | 1.42 |
| 24.0 | 18.0 | 7.4 | 1.15 | 7.2 | 1.18 | 7.0 | 1.20 | 6.8 | 1.23 | 6.7 | 1.25 | |
| 21 | -15.0 | -16.0 | 4.0 | 1.63 | 3.9 | 1.67 | 3.8 | 1.70 | 3.7 | 1.73 | 3.6 | 1.77 |
| | -10.0 | -11.0 | 4.6 | 1.68 | 4.4 | 1.72 | 4.3 | 1.75 | 4.2 | 1.79 | 4.1 | 1.82 |
| | -5.0 | -7.0 | 5.2 | 1.73 | 5.0 | 1.76 | 4.9 | 1.80 | 4.8 | 1.84 | 4.7 | 1.87 |
| | 0.0 | -2.0 | 6.6 | 1.90 | 6.4 | 1.94 | 6.3 | 1.98 | 6.1 | 2.02 | 5.9 | 2.06 |
| | 5.0 | 3.0 | 7.4 | 1.90 | 7.2 | 1.94 | 7.0 | 1.98 | 6.8 | 2.02 | 6.7 | 2.06 |
| | 7.0 | 6.0 | 7.4 | 1.80 | 7.2 | 1.84 | 7.0 | 1.88 | 6.8 | 1.92 | 6.7 | 1.96 |
| | 10.0 | 8.0 | 7.4 | 1.69 | 7.2 | 1.73 | 7.0 | 1.77 | 6.8 | 1.80 | 6.7 | 1.84 |
| | 15.0 | 10.0 | 7.4 | 1.55 | 7.2 | 1.59 | 7.0 | 1.62 | 6.8 | 1.65 | 6.7 | 1.68 |
| | 20.0 | 15.0 | 7.4 | 1.31 | 7.2 | 1.34 | 7.0 | 1.37 | 6.8 | 1.40 | 6.7 | 1.42 |
| 24.0 | 18.0 | 7.4 | 1.15 | 7.2 | 1.18 | 7.0 | 1.20 | 6.8 | 1.23 | 6.7 | 1.25 | |
| 19 | -15.0 | -16.0 | 4.0 | 1.63 | 3.9 | 1.67 | 3.8 | 1.70 | 3.7 | 1.73 | 3.6 | 1.77 |
| | -10.0 | -11.0 | 4.6 | 1.68 | 4.4 | 1.72 | 4.3 | 1.75 | 4.2 | 1.79 | 4.1 | 1.82 |
| | -5.0 | -7.0 | 5.2 | 1.73 | 5.0 | 1.76 | 4.9 | 1.80 | 4.8 | 1.84 | 4.7 | 1.87 |
| | 0.0 | -2.0 | 6.6 | 1.90 | 6.4 | 1.94 | 6.3 | 1.98 | 6.1 | 2.02 | 5.9 | 2.06 |
| | 5.0 | 3.0 | 7.4 | 1.90 | 7.2 | 1.94 | 7.0 | 1.98 | 6.8 | 2.02 | 6.7 | 2.06 |
| | 7.0 | 6.0 | 7.4 | 1.80 | 7.2 | 1.84 | 7.0 | 1.88 | 6.8 | 1.92 | 6.7 | 1.96 |
| | 10.0 | 8.0 | 7.4 | 1.69 | 7.2 | 1.73 | 7.0 | 1.77 | 6.8 | 1.80 | 6.7 | 1.84 |
| | 15.0 | 10.0 | 7.4 | 1.55 | 7.2 | 1.59 | 7.0 | 1.62 | 6.8 | 1.65 | 6.7 | 1.68 |
| | 20.0 | 15.0 | 7.4 | 1.31 | 7.2 | 1.34 | 7.0 | 1.37 | 6.8 | 1.40 | 6.7 | 1.42 |
| 24.0 | 18.0 | 7.4 | 1.15 | 7.2 | 1.18 | 7.0 | 1.20 | 6.8 | 1.23 | 6.7 | 1.25 | |
| 18 | -15.0 | -16.0 | 4.0 | 1.63 | 3.9 | 1.66 | 3.8 | 1.69 | 3.7 | 1.73 | 3.6 | 1.76 |
| | -10.0 | -11.0 | 4.6 | 1.67 | 4.4 | 1.71 | 4.3 | 1.74 | 4.2 | 1.78 | 4.1 | 1.81 |
| | -5.0 | -7.0 | 5.2 | 1.72 | 5.0 | 1.76 | 4.9 | 1.79 | 4.8 | 1.83 | 4.7 | 1.87 |
| | 0.0 | -2.0 | 6.6 | 1.90 | 6.4 | 1.94 | 6.3 | 1.98 | 6.1 | 2.02 | 5.9 | 2.06 |
| | 5.0 | 3.0 | 7.4 | 1.90 | 7.2 | 1.94 | 7.0 | 1.98 | 6.8 | 2.02 | 6.7 | 2.06 |
| | 7.0 | 6.0 | 7.4 | 1.80 | 7.2 | 1.84 | 7.0 | 1.88 | 6.8 | 1.92 | 6.7 | 1.96 |
| | 10.0 | 8.0 | 7.4 | 1.69 | 7.2 | 1.73 | 7.0 | 1.77 | 6.8 | 1.80 | 6.7 | 1.84 |
| | 15.0 | 10.0 | 7.4 | 1.55 | 7.2 | 1.59 | 7.0 | 1.62 | 6.8 | 1.65 | 6.7 | 1.68 |
| | 20.0 | 15.0 | 7.4 | 1.31 | 7.2 | 1.34 | 7.0 | 1.37 | 6.8 | 1.40 | 6.7 | 1.42 |
| 24.0 | 18.0 | 7.4 | 1.15 | 7.2 | 1.18 | 7.0 | 1.20 | 6.8 | 1.23 | 6.7 | 1.25 | |
| 16 | -15.0 | -16.0 | 3.6 | 1.46 | 3.5 | 1.49 | 3.4 | 1.52 | 3.4 | 1.55 | 3.3 | 1.58 |
| | -10.0 | -11.0 | 4.2 | 1.50 | 4.1 | 1.53 | 4.0 | 1.56 | 3.9 | 1.59 | 3.8 | 1.62 |
| | -5.0 | -7.0 | 4.7 | 1.55 | 4.6 | 1.58 | 4.5 | 1.61 | 4.4 | 1.64 | 4.3 | 1.67 |
| | 0.0 | -2.0 | 6.0 | 1.70 | 5.9 | 1.73 | 5.7 | 1.77 | 5.6 | 1.81 | 5.4 | 1.84 |
| | 5.0 | 3.0 | 6.7 | 1.70 | 6.6 | 1.73 | 6.4 | 1.77 | 6.2 | 1.81 | 6.1 | 1.84 |
| | 7.0 | 6.0 | 6.7 | 1.61 | 6.6 | 1.65 | 6.4 | 1.68 | 6.2 | 1.71 | 6.1 | 1.75 |
| | 10.0 | 8.0 | 6.7 | 1.51 | 6.6 | 1.55 | 6.4 | 1.58 | 6.2 | 1.61 | 6.1 | 1.64 |
| | 15.0 | 10.0 | 6.7 | 1.39 | 6.6 | 1.42 | 6.4 | 1.45 | 6.2 | 1.48 | 6.1 | 1.50 |
| | 20.0 | 15.0 | 6.7 | 1.17 | 6.6 | 1.20 | 6.4 | 1.22 | 6.2 | 1.25 | 6.1 | 1.27 |
| 24.0 | 18.0 | 6.7 | 1.03 | 6.6 | 1.05 | 6.4 | 1.07 | 6.2 | 1.09 | 6.1 | 1.12 | |
| 14 | -15.0 | -16.0 | 3.2 | 1.22 | 3.1 | 1.24 | 3.0 | 1.27 | 2.9 | 1.30 | 2.9 | 1.32 |
| | -10.0 | -11.0 | 3.6 | 1.26 | 3.6 | 1.28 | 3.5 | 1.31 | 3.4 | 1.34 | 3.3 | 1.36 |
| | -5.0 | -7.0 | 4.1 | 1.30 | 4.0 | 1.32 | 3.9 | 1.35 | 3.8 | 1.38 | 3.7 | 1.40 |
| | 0.0 | -2.0 | 5.3 | 1.43 | 5.1 | 1.46 | 5.0 | 1.49 | 4.9 | 1.52 | 4.8 | 1.55 |
| | 5.0 | 3.0 | 5.9 | 1.43 | 5.7 | 1.46 | 5.6 | 1.49 | 5.5 | 1.52 | 5.3 | 1.55 |
| | 7.0 | 6.0 | 5.9 | 1.35 | 5.7 | 1.38 | 5.6 | 1.41 | 5.5 | 1.44 | 5.3 | 1.47 |
| | 10.0 | 8.0 | 5.9 | 1.27 | 5.7 | 1.30 | 5.6 | 1.32 | 5.5 | 1.35 | 5.3 | 1.38 |
| | 15.0 | 10.0 | 5.9 | 1.17 | 5.7 | 1.19 | 5.6 | 1.21 | 5.5 | 1.24 | 5.3 | 1.26 |
| | 20.0 | 15.0 | 5.9 | 0.99 | 5.7 | 1.01 | 5.6 | 1.03 | 5.5 | 1.05 | 5.3 | 1.07 |
| 24.0 | 18.0 | 5.9 | 0.86 | 5.7 | 0.88 | 5.6 | 0.90 | 5.5 | 0.92 | 5.3 | 0.94 | |

NOTES:

- TC: Total Capacity (kW), IP: Input Power (kW)
- Values mentioned in the table are based on the following conditions:
 - Power source of specifications: 230 V
 - Pipe length: 5 m, Height difference: 0 m (Outdoor unit—Indoor unit)
- 2 or more indoor units should be connected.
- The total ability of connected a indoor unit is from 14,000 Btu/h up to 26,000 Btu/h.
- Input in the table are calculated based on the maximum indoor unit input combinations.

● Compact cassette type

Model: AUXG07KVLA

| Outdoor temperature | | Indoor temperature (°CDB) | | | | |
|---------------------|--------|---------------------------|------|------|------|------|
| | | 16.0 | 18.0 | 20.0 | 22.0 | 24.0 |
| (°CDB) | (°CWB) | TC | TC | TC | TC | TC |
| -15.0 | -16.0 | 1.58 | 1.55 | 1.51 | 1.47 | 1.43 |
| -10.0 | -11.0 | 1.82 | 1.78 | 1.74 | 1.69 | 1.65 |
| -5.0 | -7.0 | 2.06 | 2.01 | 1.96 | 1.91 | 1.86 |
| 0.0 | -2.0 | 2.63 | 2.56 | 2.50 | 2.44 | 2.38 |
| 5.0 | 3.0 | 2.94 | 2.87 | 2.80 | 2.73 | 2.66 |
| 7.0 | 6.0 | 2.94 | 2.87 | 2.80 | 2.73 | 2.66 |
| 10.0 | 8.0 | 2.94 | 2.87 | 2.80 | 2.73 | 2.66 |
| 15.0 | 10.0 | 2.94 | 2.87 | 2.80 | 2.73 | 2.66 |
| 20.0 | 15.0 | 2.94 | 2.87 | 2.80 | 2.73 | 2.66 |
| 24.0 | 18.0 | 2.94 | 2.87 | 2.80 | 2.73 | 2.66 |

Model: AUXG09KVLA

| Outdoor temperature | | Indoor temperature (°CDB) | | | | |
|---------------------|--------|---------------------------|------|------|------|------|
| | | 16.0 | 18.0 | 20.0 | 22.0 | 24.0 |
| (°CDB) | (°CWB) | TC | TC | TC | TC | TC |
| -15.0 | -16.0 | 2.04 | 1.99 | 1.94 | 1.89 | 1.84 |
| -10.0 | -11.0 | 2.34 | 2.29 | 2.23 | 2.18 | 2.12 |
| -5.0 | -7.0 | 2.65 | 2.59 | 2.52 | 2.46 | 2.40 |
| 0.0 | -2.0 | 3.38 | 3.30 | 3.22 | 3.14 | 3.06 |
| 5.0 | 3.0 | 3.78 | 3.69 | 3.60 | 3.51 | 3.42 |
| 7.0 | 6.0 | 3.78 | 3.69 | 3.60 | 3.51 | 3.42 |
| 10.0 | 8.0 | 3.78 | 3.69 | 3.60 | 3.51 | 3.42 |
| 15.0 | 10.0 | 3.78 | 3.69 | 3.60 | 3.51 | 3.42 |
| 20.0 | 15.0 | 3.78 | 3.69 | 3.60 | 3.51 | 3.42 |
| 24.0 | 18.0 | 3.78 | 3.69 | 3.60 | 3.51 | 3.42 |

Model: AUXG12KVLA

| Outdoor temperature | | Indoor temperature (°CDB) | | | | |
|---------------------|--------|---------------------------|------|------|------|------|
| | | 16.0 | 18.0 | 20.0 | 22.0 | 24.0 |
| (°CDB) | (°CWB) | TC | TC | TC | TC | TC |
| -15.0 | -16.0 | 2.50 | 2.44 | 2.38 | 2.32 | 2.26 |
| -10.0 | -11.0 | 2.88 | 2.81 | 2.74 | 2.67 | 2.60 |
| -5.0 | -7.0 | 3.25 | 3.18 | 3.10 | 3.02 | 2.94 |
| 0.0 | -2.0 | 4.15 | 4.05 | 3.95 | 3.85 | 3.75 |
| 5.0 | 3.0 | 4.64 | 4.53 | 4.42 | 4.31 | 4.20 |
| 7.0 | 6.0 | 4.64 | 4.53 | 4.42 | 4.31 | 4.20 |
| 10.0 | 8.0 | 4.64 | 4.53 | 4.42 | 4.31 | 4.20 |
| 15.0 | 10.0 | 4.64 | 4.53 | 4.42 | 4.31 | 4.20 |
| 20.0 | 15.0 | 4.64 | 4.53 | 4.42 | 4.31 | 4.20 |
| 24.0 | 18.0 | 4.64 | 4.53 | 4.42 | 4.31 | 4.20 |

Model: AUXG14KVLA

| Outdoor temperature | | Indoor temperature (°CDB) | | | | |
|---------------------|--------|---------------------------|------|------|------|------|
| | | 16.0 | 18.0 | 20.0 | 22.0 | 24.0 |
| (°CDB) | (°CWB) | TC | TC | TC | TC | TC |
| -15.0 | -16.0 | 2.64 | 2.58 | 2.51 | 2.45 | 2.39 |
| -10.0 | -11.0 | 3.04 | 2.97 | 2.89 | 2.82 | 2.75 |
| -5.0 | -7.0 | 3.44 | 3.36 | 3.27 | 3.19 | 3.11 |
| 0.0 | -2.0 | 4.38 | 4.28 | 4.17 | 4.07 | 3.96 |
| 5.0 | 3.0 | 4.90 | 4.79 | 4.67 | 4.55 | 4.44 |
| 7.0 | 6.0 | 4.90 | 4.79 | 4.67 | 4.55 | 4.44 |
| 10.0 | 8.0 | 4.90 | 4.79 | 4.67 | 4.55 | 4.44 |
| 15.0 | 10.0 | 4.90 | 4.79 | 4.67 | 4.55 | 4.44 |
| 20.0 | 15.0 | 4.90 | 4.79 | 4.67 | 4.55 | 4.44 |
| 24.0 | 18.0 | 4.90 | 4.79 | 4.67 | 4.55 | 4.44 |

NOTES:

- TC: Total Capacity (kW)
- Values mentioned in the table are based on the following conditions:
 - Pipe length: 5 m, Height difference: 0 m (Outdoor unit—Indoor unit)

● Mini duct type

Model: ARXG07KSLAP

| Outdoor temperature | | Indoor temperature (°CDB) | | | | |
|---------------------|--------|---------------------------|------|------|------|------|
| | | 16.0 | 18.0 | 20.0 | 22.0 | 24.0 |
| (°CDB) | (°CWB) | TC | TC | TC | TC | TC |
| -15.0 | -16.0 | 1.58 | 1.55 | 1.51 | 1.47 | 1.43 |
| -10.0 | -11.0 | 1.82 | 1.78 | 1.74 | 1.69 | 1.65 |
| -5.0 | -7.0 | 2.06 | 2.01 | 1.96 | 1.91 | 1.86 |
| 0.0 | -2.0 | 2.63 | 2.56 | 2.50 | 2.44 | 2.38 |
| 5.0 | 3.0 | 2.94 | 2.87 | 2.80 | 2.73 | 2.66 |
| 7.0 | 6.0 | 2.94 | 2.87 | 2.80 | 2.73 | 2.66 |
| 10.0 | 8.0 | 2.94 | 2.87 | 2.80 | 2.73 | 2.66 |
| 15.0 | 10.0 | 2.94 | 2.87 | 2.80 | 2.73 | 2.66 |
| 20.0 | 15.0 | 2.94 | 2.87 | 2.80 | 2.73 | 2.66 |
| 24.0 | 18.0 | 2.94 | 2.87 | 2.80 | 2.73 | 2.66 |

Model: ARXG09KSLAP

| Outdoor temperature | | Indoor temperature (°CDB) | | | | |
|---------------------|--------|---------------------------|------|------|------|------|
| | | 16.0 | 18.0 | 20.0 | 22.0 | 24.0 |
| (°CDB) | (°CWB) | TC | TC | TC | TC | TC |
| -15.0 | -16.0 | 2.04 | 1.99 | 1.94 | 1.89 | 1.84 |
| -10.0 | -11.0 | 2.34 | 2.29 | 2.23 | 2.18 | 2.12 |
| -5.0 | -7.0 | 2.65 | 2.59 | 2.52 | 2.46 | 2.40 |
| 0.0 | -2.0 | 3.38 | 3.30 | 3.22 | 3.14 | 3.06 |
| 5.0 | 3.0 | 3.78 | 3.69 | 3.60 | 3.51 | 3.42 |
| 7.0 | 6.0 | 3.78 | 3.69 | 3.60 | 3.51 | 3.42 |
| 10.0 | 8.0 | 3.78 | 3.69 | 3.60 | 3.51 | 3.42 |
| 15.0 | 10.0 | 3.78 | 3.69 | 3.60 | 3.51 | 3.42 |
| 20.0 | 15.0 | 3.78 | 3.69 | 3.60 | 3.51 | 3.42 |
| 24.0 | 18.0 | 3.78 | 3.69 | 3.60 | 3.51 | 3.42 |

Model: ARXG12KSLAP

| Outdoor temperature | | Indoor temperature (°CDB) | | | | |
|---------------------|--------|---------------------------|------|------|------|------|
| | | 16.0 | 18.0 | 20.0 | 22.0 | 24.0 |
| (°CDB) | (°CWB) | TC | TC | TC | TC | TC |
| -15.0 | -16.0 | 2.50 | 2.44 | 2.38 | 2.32 | 2.26 |
| -10.0 | -11.0 | 2.88 | 2.81 | 2.74 | 2.67 | 2.60 |
| -5.0 | -7.0 | 3.25 | 3.18 | 3.10 | 3.02 | 2.94 |
| 0.0 | -2.0 | 4.15 | 4.05 | 3.95 | 3.85 | 3.75 |
| 5.0 | 3.0 | 4.64 | 4.53 | 4.42 | 4.31 | 4.20 |
| 7.0 | 6.0 | 4.64 | 4.53 | 4.42 | 4.31 | 4.20 |
| 10.0 | 8.0 | 4.64 | 4.53 | 4.42 | 4.31 | 4.20 |
| 15.0 | 10.0 | 4.64 | 4.53 | 4.42 | 4.31 | 4.20 |
| 20.0 | 15.0 | 4.64 | 4.53 | 4.42 | 4.31 | 4.20 |
| 24.0 | 18.0 | 4.64 | 4.53 | 4.42 | 4.31 | 4.20 |

Model: ARXG14KSLAP

| Outdoor temperature | | Indoor temperature (°CDB) | | | | |
|---------------------|--------|---------------------------|------|------|------|------|
| | | 16.0 | 18.0 | 20.0 | 22.0 | 24.0 |
| (°CDB) | (°CWB) | TC | TC | TC | TC | TC |
| -15.0 | -16.0 | 2.64 | 2.58 | 2.51 | 2.45 | 2.39 |
| -10.0 | -11.0 | 3.04 | 2.97 | 2.89 | 2.82 | 2.75 |
| -5.0 | -7.0 | 3.44 | 3.36 | 3.27 | 3.19 | 3.11 |
| 0.0 | -2.0 | 4.38 | 4.28 | 4.17 | 4.07 | 3.96 |
| 5.0 | 3.0 | 4.90 | 4.79 | 4.67 | 4.55 | 4.44 |
| 7.0 | 6.0 | 4.90 | 4.79 | 4.67 | 4.55 | 4.44 |
| 10.0 | 8.0 | 4.90 | 4.79 | 4.67 | 4.55 | 4.44 |
| 15.0 | 10.0 | 4.90 | 4.79 | 4.67 | 4.55 | 4.44 |
| 20.0 | 15.0 | 4.90 | 4.79 | 4.67 | 4.55 | 4.44 |
| 24.0 | 18.0 | 4.90 | 4.79 | 4.67 | 4.55 | 4.44 |

NOTES:

- TC: Total Capacity (kW)
- Values mentioned in the table are based on the following conditions:
 - Pipe length: 5 m, Height difference: 0 m [Outdoor unit—Indoor unit]

● Slim duct type

Model: ARXG07KLLAP

| Outdoor temperature | | Indoor temperature (°CDB) | | | | |
|---------------------|--------|---------------------------|------|------|------|------|
| | | 16.0 | 18.0 | 20.0 | 22.0 | 24.0 |
| (°CDB) | (°CWB) | TC | TC | TC | TC | TC |
| -15.0 | -16.0 | 1.58 | 1.55 | 1.51 | 1.47 | 1.43 |
| -10.0 | -11.0 | 1.82 | 1.78 | 1.74 | 1.69 | 1.65 |
| -5.0 | -7.0 | 2.06 | 2.01 | 1.96 | 1.91 | 1.86 |
| 0.0 | -2.0 | 2.63 | 2.56 | 2.50 | 2.44 | 2.38 |
| 5.0 | 3.0 | 2.94 | 2.87 | 2.80 | 2.73 | 2.66 |
| 7.0 | 6.0 | 2.94 | 2.87 | 2.80 | 2.73 | 2.66 |
| 10.0 | 8.0 | 2.94 | 2.87 | 2.80 | 2.73 | 2.66 |
| 15.0 | 10.0 | 2.94 | 2.87 | 2.80 | 2.73 | 2.66 |
| 20.0 | 15.0 | 2.94 | 2.87 | 2.80 | 2.73 | 2.66 |
| 24.0 | 18.0 | 2.94 | 2.87 | 2.80 | 2.73 | 2.66 |

Model: ARXG09KLLAP

| Outdoor temperature | | Indoor temperature (°CDB) | | | | |
|---------------------|--------|---------------------------|------|------|------|------|
| | | 16.0 | 18.0 | 20.0 | 22.0 | 24.0 |
| (°CDB) | (°CWB) | TC | TC | TC | TC | TC |
| -15.0 | -16.0 | 2.04 | 1.99 | 1.94 | 1.89 | 1.84 |
| -10.0 | -11.0 | 2.34 | 2.29 | 2.23 | 2.18 | 2.12 |
| -5.0 | -7.0 | 2.65 | 2.59 | 2.52 | 2.46 | 2.40 |
| 0.0 | -2.0 | 3.38 | 3.30 | 3.22 | 3.14 | 3.06 |
| 5.0 | 3.0 | 3.78 | 3.69 | 3.60 | 3.51 | 3.42 |
| 7.0 | 6.0 | 3.78 | 3.69 | 3.60 | 3.51 | 3.42 |
| 10.0 | 8.0 | 3.78 | 3.69 | 3.60 | 3.51 | 3.42 |
| 15.0 | 10.0 | 3.78 | 3.69 | 3.60 | 3.51 | 3.42 |
| 20.0 | 15.0 | 3.78 | 3.69 | 3.60 | 3.51 | 3.42 |
| 24.0 | 18.0 | 3.78 | 3.69 | 3.60 | 3.51 | 3.42 |

Model: ARXG12KLLAP

| Outdoor temperature | | Indoor temperature (°CDB) | | | | |
|---------------------|--------|---------------------------|------|------|------|------|
| | | 16.0 | 18.0 | 20.0 | 22.0 | 24.0 |
| (°CDB) | (°CWB) | TC | TC | TC | TC | TC |
| -15.0 | -16.0 | 2.50 | 2.44 | 2.38 | 2.32 | 2.26 |
| -10.0 | -11.0 | 2.88 | 2.81 | 2.74 | 2.67 | 2.60 |
| -5.0 | -7.0 | 3.25 | 3.18 | 3.10 | 3.02 | 2.94 |
| 0.0 | -2.0 | 4.15 | 4.05 | 3.95 | 3.85 | 3.75 |
| 5.0 | 3.0 | 4.64 | 4.53 | 4.42 | 4.31 | 4.20 |
| 7.0 | 6.0 | 4.64 | 4.53 | 4.42 | 4.31 | 4.20 |
| 10.0 | 8.0 | 4.64 | 4.53 | 4.42 | 4.31 | 4.20 |
| 15.0 | 10.0 | 4.64 | 4.53 | 4.42 | 4.31 | 4.20 |
| 20.0 | 15.0 | 4.64 | 4.53 | 4.42 | 4.31 | 4.20 |
| 24.0 | 18.0 | 4.64 | 4.53 | 4.42 | 4.31 | 4.20 |

Model: ARXG14KLLAP

| Outdoor temperature | | Indoor temperature (°CDB) | | | | |
|---------------------|--------|---------------------------|------|------|------|------|
| | | 16.0 | 18.0 | 20.0 | 22.0 | 24.0 |
| (°CDB) | (°CWB) | TC | TC | TC | TC | TC |
| -15.0 | -16.0 | 2.64 | 2.58 | 2.51 | 2.45 | 2.39 |
| -10.0 | -11.0 | 3.04 | 2.97 | 2.89 | 2.82 | 2.75 |
| -5.0 | -7.0 | 3.44 | 3.36 | 3.27 | 3.19 | 3.11 |
| 0.0 | -2.0 | 4.38 | 4.28 | 4.17 | 4.07 | 3.96 |
| 5.0 | 3.0 | 4.90 | 4.79 | 4.67 | 4.55 | 4.44 |
| 7.0 | 6.0 | 4.90 | 4.79 | 4.67 | 4.55 | 4.44 |
| 10.0 | 8.0 | 4.90 | 4.79 | 4.67 | 4.55 | 4.44 |
| 15.0 | 10.0 | 4.90 | 4.79 | 4.67 | 4.55 | 4.44 |
| 20.0 | 15.0 | 4.90 | 4.79 | 4.67 | 4.55 | 4.44 |
| 24.0 | 18.0 | 4.90 | 4.79 | 4.67 | 4.55 | 4.44 |

NOTES:

- TC: Total Capacity (kW)
- Values mentioned in the table are based on the following conditions:
 - Pipe length: 5 m, Height difference: 0 m (Outdoor unit—Indoor unit)

● Wall mounted type

Model: ASYG07KGTB

| Outdoor temperature | | Indoor temperature (°CDB) | | | | |
|---------------------|--------|---------------------------|------|------|------|------|
| | | 16.0 | 18.0 | 20.0 | 22.0 | 24.0 |
| (°CDB) | (°CWB) | TC | TC | TC | TC | TC |
| -15.0 | -16.0 | 1.58 | 1.55 | 1.51 | 1.47 | 1.43 |
| -10.0 | -11.0 | 1.82 | 1.78 | 1.74 | 1.69 | 1.65 |
| -5.0 | -7.0 | 2.06 | 2.01 | 1.96 | 1.91 | 1.86 |
| 0.0 | -2.0 | 2.63 | 2.56 | 2.50 | 2.44 | 2.38 |
| 5.0 | 3.0 | 2.94 | 2.87 | 2.80 | 2.73 | 2.66 |
| 7.0 | 6.0 | 2.94 | 2.87 | 2.80 | 2.73 | 2.66 |
| 10.0 | 8.0 | 2.94 | 2.87 | 2.80 | 2.73 | 2.66 |
| 15.0 | 10.0 | 2.94 | 2.87 | 2.80 | 2.73 | 2.66 |
| 20.0 | 15.0 | 2.94 | 2.87 | 2.80 | 2.73 | 2.66 |
| 24.0 | 18.0 | 2.94 | 2.87 | 2.80 | 2.73 | 2.66 |

Model: ASYG09KGTB

| Outdoor temperature | | Indoor temperature (°CDB) | | | | |
|---------------------|--------|---------------------------|------|------|------|------|
| | | 16.0 | 18.0 | 20.0 | 22.0 | 24.0 |
| (°CDB) | (°CWB) | TC | TC | TC | TC | TC |
| -15.0 | -16.0 | 2.04 | 1.99 | 1.94 | 1.89 | 1.84 |
| -10.0 | -11.0 | 2.34 | 2.29 | 2.23 | 2.18 | 2.12 |
| -5.0 | -7.0 | 2.65 | 2.59 | 2.52 | 2.46 | 2.40 |
| 0.0 | -2.0 | 3.38 | 3.30 | 3.22 | 3.14 | 3.06 |
| 5.0 | 3.0 | 3.78 | 3.69 | 3.60 | 3.51 | 3.42 |
| 7.0 | 6.0 | 3.78 | 3.69 | 3.60 | 3.51 | 3.42 |
| 10.0 | 8.0 | 3.78 | 3.69 | 3.60 | 3.51 | 3.42 |
| 15.0 | 10.0 | 3.78 | 3.69 | 3.60 | 3.51 | 3.42 |
| 20.0 | 15.0 | 3.78 | 3.69 | 3.60 | 3.51 | 3.42 |
| 24.0 | 18.0 | 3.78 | 3.69 | 3.60 | 3.51 | 3.42 |

Model: ASYG12KGTB

| Outdoor temperature | | Indoor temperature (°CDB) | | | | |
|---------------------|--------|---------------------------|------|------|------|------|
| | | 16.0 | 18.0 | 20.0 | 22.0 | 24.0 |
| (°CDB) | (°CWB) | TC | TC | TC | TC | TC |
| -15.0 | -16.0 | 2.50 | 2.44 | 2.38 | 2.32 | 2.26 |
| -10.0 | -11.0 | 2.88 | 2.81 | 2.74 | 2.67 | 2.60 |
| -5.0 | -7.0 | 3.25 | 3.18 | 3.10 | 3.02 | 2.94 |
| 0.0 | -2.0 | 4.15 | 4.05 | 3.95 | 3.85 | 3.75 |
| 5.0 | 3.0 | 4.64 | 4.53 | 4.42 | 4.31 | 4.20 |
| 7.0 | 6.0 | 4.64 | 4.53 | 4.42 | 4.31 | 4.20 |
| 10.0 | 8.0 | 4.64 | 4.53 | 4.42 | 4.31 | 4.20 |
| 15.0 | 10.0 | 4.64 | 4.53 | 4.42 | 4.31 | 4.20 |
| 20.0 | 15.0 | 4.64 | 4.53 | 4.42 | 4.31 | 4.20 |
| 24.0 | 18.0 | 4.64 | 4.53 | 4.42 | 4.31 | 4.20 |

Model: ASYG14KGTB

| Outdoor temperature | | Indoor temperature (°CDB) | | | | |
|---------------------|--------|---------------------------|------|------|------|------|
| | | 16.0 | 18.0 | 20.0 | 22.0 | 24.0 |
| (°CDB) | (°CWB) | TC | TC | TC | TC | TC |
| -15.0 | -16.0 | 2.64 | 2.58 | 2.51 | 2.45 | 2.39 |
| -10.0 | -11.0 | 3.04 | 2.97 | 2.89 | 2.82 | 2.75 |
| -5.0 | -7.0 | 3.44 | 3.36 | 3.27 | 3.19 | 3.11 |
| 0.0 | -2.0 | 4.38 | 4.28 | 4.17 | 4.07 | 3.96 |
| 5.0 | 3.0 | 4.90 | 4.79 | 4.67 | 4.55 | 4.44 |
| 7.0 | 6.0 | 4.90 | 4.79 | 4.67 | 4.55 | 4.44 |
| 10.0 | 8.0 | 4.90 | 4.79 | 4.67 | 4.55 | 4.44 |
| 15.0 | 10.0 | 4.90 | 4.79 | 4.67 | 4.55 | 4.44 |
| 20.0 | 15.0 | 4.90 | 4.79 | 4.67 | 4.55 | 4.44 |
| 24.0 | 18.0 | 4.90 | 4.79 | 4.67 | 4.55 | 4.44 |

Models: ASYG07KMTB and ASYG07KMCC

| Outdoor temperature | | Indoor temperature (°CDB) | | | | |
|---------------------|--------|---------------------------|------|------|------|------|
| | | 16.0 | 18.0 | 20.0 | 22.0 | 24.0 |
| (°CDB) | (°CWB) | TC | TC | TC | TC | TC |
| -15.0 | -16.0 | 1.58 | 1.55 | 1.51 | 1.47 | 1.43 |
| -10.0 | -11.0 | 1.82 | 1.78 | 1.74 | 1.69 | 1.65 |
| -5.0 | -7.0 | 2.06 | 2.01 | 1.96 | 1.91 | 1.86 |
| 0.0 | -2.0 | 2.63 | 2.56 | 2.50 | 2.44 | 2.38 |
| 5.0 | 3.0 | 2.94 | 2.87 | 2.80 | 2.73 | 2.66 |
| 7.0 | 6.0 | 2.94 | 2.87 | 2.80 | 2.73 | 2.66 |
| 10.0 | 8.0 | 2.94 | 2.87 | 2.80 | 2.73 | 2.66 |
| 15.0 | 10.0 | 2.94 | 2.87 | 2.80 | 2.73 | 2.66 |
| 20.0 | 15.0 | 2.94 | 2.87 | 2.80 | 2.73 | 2.66 |
| 24.0 | 18.0 | 2.94 | 2.87 | 2.80 | 2.73 | 2.66 |

Models: ASYG09KMTB and ASYG09KMCC

| Outdoor temperature | | Indoor temperature (°CDB) | | | | |
|---------------------|--------|---------------------------|------|------|------|------|
| | | 16.0 | 18.0 | 20.0 | 22.0 | 24.0 |
| (°CDB) | (°CWB) | TC | TC | TC | TC | TC |
| -15.0 | -16.0 | 2.04 | 1.99 | 1.94 | 1.89 | 1.84 |
| -10.0 | -11.0 | 2.34 | 2.29 | 2.23 | 2.18 | 2.12 |
| -5.0 | -7.0 | 2.65 | 2.59 | 2.52 | 2.46 | 2.40 |
| 0.0 | -2.0 | 3.38 | 3.30 | 3.22 | 3.14 | 3.06 |
| 5.0 | 3.0 | 3.78 | 3.69 | 3.60 | 3.51 | 3.42 |
| 7.0 | 6.0 | 3.78 | 3.69 | 3.60 | 3.51 | 3.42 |
| 10.0 | 8.0 | 3.78 | 3.69 | 3.60 | 3.51 | 3.42 |
| 15.0 | 10.0 | 3.78 | 3.69 | 3.60 | 3.51 | 3.42 |
| 20.0 | 15.0 | 3.78 | 3.69 | 3.60 | 3.51 | 3.42 |
| 24.0 | 18.0 | 3.78 | 3.69 | 3.60 | 3.51 | 3.42 |

Models: ASYG12KMTB and ASYG12KMCC

| Outdoor temperature | | Indoor temperature (°CDB) | | | | |
|---------------------|--------|---------------------------|------|------|------|------|
| | | 16.0 | 18.0 | 20.0 | 22.0 | 24.0 |
| (°CDB) | (°CWB) | TC | TC | TC | TC | TC |
| -15.0 | -16.0 | 2.50 | 2.44 | 2.38 | 2.32 | 2.26 |
| -10.0 | -11.0 | 2.88 | 2.81 | 2.74 | 2.67 | 2.60 |
| -5.0 | -7.0 | 3.25 | 3.18 | 3.10 | 3.02 | 2.94 |
| 0.0 | -2.0 | 4.15 | 4.05 | 3.95 | 3.85 | 3.75 |
| 5.0 | 3.0 | 4.64 | 4.53 | 4.42 | 4.31 | 4.20 |
| 7.0 | 6.0 | 4.64 | 4.53 | 4.42 | 4.31 | 4.20 |
| 10.0 | 8.0 | 4.64 | 4.53 | 4.42 | 4.31 | 4.20 |
| 15.0 | 10.0 | 4.64 | 4.53 | 4.42 | 4.31 | 4.20 |
| 20.0 | 15.0 | 4.64 | 4.53 | 4.42 | 4.31 | 4.20 |
| 24.0 | 18.0 | 4.64 | 4.53 | 4.42 | 4.31 | 4.20 |

Models: ASYG14KMTB and ASYG14KMCC

| Outdoor temperature | | Indoor temperature (°CDB) | | | | |
|---------------------|--------|---------------------------|------|------|------|------|
| | | 16.0 | 18.0 | 20.0 | 22.0 | 24.0 |
| (°CDB) | (°CWB) | TC | TC | TC | TC | TC |
| -15.0 | -16.0 | 2.64 | 2.58 | 2.51 | 2.45 | 2.39 |
| -10.0 | -11.0 | 3.04 | 2.97 | 2.89 | 2.82 | 2.75 |
| -5.0 | -7.0 | 3.44 | 3.36 | 3.27 | 3.19 | 3.11 |
| 0.0 | -2.0 | 4.38 | 4.28 | 4.17 | 4.07 | 3.96 |
| 5.0 | 3.0 | 4.90 | 4.79 | 4.67 | 4.55 | 4.44 |
| 7.0 | 6.0 | 4.90 | 4.79 | 4.67 | 4.55 | 4.44 |
| 10.0 | 8.0 | 4.90 | 4.79 | 4.67 | 4.55 | 4.44 |
| 15.0 | 10.0 | 4.90 | 4.79 | 4.67 | 4.55 | 4.44 |
| 20.0 | 15.0 | 4.90 | 4.79 | 4.67 | 4.55 | 4.44 |
| 24.0 | 18.0 | 4.90 | 4.79 | 4.67 | 4.55 | 4.44 |

Model: ASYG07KETA, ASYG07KETA-B

| Outdoor temperature | | Indoor temperature (°CDB) | | | | |
|---------------------|--------|---------------------------|------|------|------|------|
| | | 16.0 | 18.0 | 20.0 | 22.0 | 24.0 |
| (°CDB) | (°CWB) | TC | TC | TC | TC | TC |
| -15.0 | -16.0 | 1.58 | 1.55 | 1.51 | 1.47 | 1.43 |
| -10.0 | -11.0 | 1.82 | 1.78 | 1.74 | 1.69 | 1.65 |
| -5.0 | -7.0 | 2.06 | 2.01 | 1.96 | 1.91 | 1.86 |
| 0.0 | -2.0 | 2.63 | 2.56 | 2.50 | 2.44 | 2.38 |
| 5.0 | 3.0 | 2.94 | 2.87 | 2.80 | 2.73 | 2.66 |
| 7.0 | 6.0 | 2.94 | 2.87 | 2.80 | 2.73 | 2.66 |
| 10.0 | 8.0 | 2.94 | 2.87 | 2.80 | 2.73 | 2.66 |
| 15.0 | 10.0 | 2.94 | 2.87 | 2.80 | 2.73 | 2.66 |
| 20.0 | 15.0 | 2.94 | 2.87 | 2.80 | 2.73 | 2.66 |
| 24.0 | 18.0 | 2.94 | 2.87 | 2.80 | 2.73 | 2.66 |

Model: ASYG09KETA, ASYG09KETA-B

| Outdoor temperature | | Indoor temperature (°CDB) | | | | |
|---------------------|--------|---------------------------|------|------|------|------|
| | | 16.0 | 18.0 | 20.0 | 22.0 | 24.0 |
| (°CDB) | (°CWB) | TC | TC | TC | TC | TC |
| -15.0 | -16.0 | 2.04 | 1.99 | 1.94 | 1.89 | 1.84 |
| -10.0 | -11.0 | 2.34 | 2.29 | 2.23 | 2.18 | 2.12 |
| -5.0 | -7.0 | 2.65 | 2.59 | 2.52 | 2.46 | 2.40 |
| 0.0 | -2.0 | 3.38 | 3.30 | 3.22 | 3.14 | 3.06 |
| 5.0 | 3.0 | 3.78 | 3.69 | 3.60 | 3.51 | 3.42 |
| 7.0 | 6.0 | 3.78 | 3.69 | 3.60 | 3.51 | 3.42 |
| 10.0 | 8.0 | 3.78 | 3.69 | 3.60 | 3.51 | 3.42 |
| 15.0 | 10.0 | 3.78 | 3.69 | 3.60 | 3.51 | 3.42 |
| 20.0 | 15.0 | 3.78 | 3.69 | 3.60 | 3.51 | 3.42 |
| 24.0 | 18.0 | 3.78 | 3.69 | 3.60 | 3.51 | 3.42 |

Model: ASYG12KETA, ASYG12KETA-B

| Outdoor temperature | | Indoor temperature (°CDB) | | | | |
|---------------------|--------|---------------------------|------|------|------|------|
| | | 16.0 | 18.0 | 20.0 | 22.0 | 24.0 |
| (°CDB) | (°CWB) | TC | TC | TC | TC | TC |
| -15.0 | -16.0 | 2.50 | 2.44 | 2.38 | 2.32 | 2.26 |
| -10.0 | -11.0 | 2.88 | 2.81 | 2.74 | 2.67 | 2.60 |
| -5.0 | -7.0 | 3.25 | 3.18 | 3.10 | 3.02 | 2.94 |
| 0.0 | -2.0 | 4.15 | 4.05 | 3.95 | 3.85 | 3.75 |
| 5.0 | 3.0 | 4.64 | 4.53 | 4.42 | 4.31 | 4.20 |
| 7.0 | 6.0 | 4.64 | 4.53 | 4.42 | 4.31 | 4.20 |
| 10.0 | 8.0 | 4.64 | 4.53 | 4.42 | 4.31 | 4.20 |
| 15.0 | 10.0 | 4.64 | 4.53 | 4.42 | 4.31 | 4.20 |
| 20.0 | 15.0 | 4.64 | 4.53 | 4.42 | 4.31 | 4.20 |
| 24.0 | 18.0 | 4.64 | 4.53 | 4.42 | 4.31 | 4.20 |

Model: ASYG14KETA, ASYG14KETA-B

| Outdoor temperature | | Indoor temperature (°CDB) | | | | |
|---------------------|--------|---------------------------|------|------|------|------|
| | | 16.0 | 18.0 | 20.0 | 22.0 | 24.0 |
| (°CDB) | (°CWB) | TC | TC | TC | TC | TC |
| -15.0 | -16.0 | 2.64 | 2.58 | 2.51 | 2.45 | 2.39 |
| -10.0 | -11.0 | 3.04 | 2.97 | 2.89 | 2.82 | 2.75 |
| -5.0 | -7.0 | 3.44 | 3.36 | 3.27 | 3.19 | 3.11 |
| 0.0 | -2.0 | 4.38 | 4.28 | 4.17 | 4.07 | 3.96 |
| 5.0 | 3.0 | 4.90 | 4.79 | 4.67 | 4.55 | 4.44 |
| 7.0 | 6.0 | 4.90 | 4.79 | 4.67 | 4.55 | 4.44 |
| 10.0 | 8.0 | 4.90 | 4.79 | 4.67 | 4.55 | 4.44 |
| 15.0 | 10.0 | 4.90 | 4.79 | 4.67 | 4.55 | 4.44 |
| 20.0 | 15.0 | 4.90 | 4.79 | 4.67 | 4.55 | 4.44 |
| 24.0 | 18.0 | 4.90 | 4.79 | 4.67 | 4.55 | 4.44 |

NOTES:

- TC: Total Capacity (kW)
- Values mentioned in the table are based on the following conditions:
 - Pipe length: 5 m, Height difference: 0 m (Outdoor unit—Indoor unit)

● Floor type

Model: AGYG09KVCA

| Outdoor temperature | | Indoor temperature (°CDB) | | | | |
|---------------------|--------|---------------------------|------|------|------|------|
| | | 16.0 | 18.0 | 20.0 | 22.0 | 24.0 |
| (°CDB) | (°CWB) | TC | TC | TC | TC | TC |
| -15.0 | -16.0 | 2.04 | 1.99 | 1.94 | 1.89 | 1.84 |
| -10.0 | -11.0 | 2.34 | 2.29 | 2.23 | 2.18 | 2.12 |
| -5.0 | -7.0 | 2.65 | 2.59 | 2.52 | 2.46 | 2.40 |
| 0.0 | -2.0 | 3.38 | 3.30 | 3.22 | 3.14 | 3.06 |
| 5.0 | 3.0 | 3.78 | 3.69 | 3.60 | 3.51 | 3.42 |
| 7.0 | 6.0 | 3.78 | 3.69 | 3.60 | 3.51 | 3.42 |
| 10.0 | 8.0 | 3.78 | 3.69 | 3.60 | 3.51 | 3.42 |
| 15.0 | 10.0 | 3.78 | 3.69 | 3.60 | 3.51 | 3.42 |
| 20.0 | 15.0 | 3.78 | 3.69 | 3.60 | 3.51 | 3.42 |
| 24.0 | 18.0 | 3.78 | 3.69 | 3.60 | 3.51 | 3.42 |

Model: AGYG12KVCA

| Outdoor temperature | | Indoor temperature (°CDB) | | | | |
|---------------------|--------|---------------------------|------|------|------|------|
| | | 16.0 | 18.0 | 20.0 | 22.0 | 24.0 |
| (°CDB) | (°CWB) | TC | TC | TC | TC | TC |
| -15.0 | -16.0 | 2.50 | 2.44 | 2.38 | 2.32 | 2.26 |
| -10.0 | -11.0 | 2.88 | 2.81 | 2.74 | 2.67 | 2.60 |
| -5.0 | -7.0 | 3.25 | 3.18 | 3.10 | 3.02 | 2.94 |
| 0.0 | -2.0 | 4.15 | 4.05 | 3.95 | 3.85 | 3.75 |
| 5.0 | 3.0 | 4.64 | 4.53 | 4.42 | 4.31 | 4.20 |
| 7.0 | 6.0 | 4.64 | 4.53 | 4.42 | 4.31 | 4.20 |
| 10.0 | 8.0 | 4.64 | 4.53 | 4.42 | 4.31 | 4.20 |
| 15.0 | 10.0 | 4.64 | 4.53 | 4.42 | 4.31 | 4.20 |
| 20.0 | 15.0 | 4.64 | 4.53 | 4.42 | 4.31 | 4.20 |
| 24.0 | 18.0 | 4.64 | 4.53 | 4.42 | 4.31 | 4.20 |

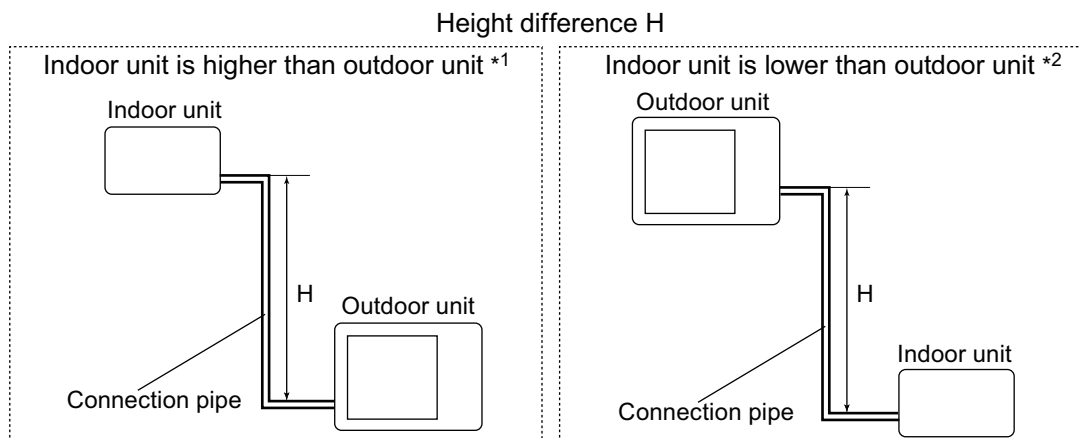
Model: AGYG14KVCA

| Outdoor temperature | | Indoor temperature (°CDB) | | | | |
|---------------------|--------|---------------------------|------|------|------|------|
| | | 16.0 | 18.0 | 20.0 | 22.0 | 24.0 |
| (°CDB) | (°CWB) | TC | TC | TC | TC | TC |
| -15.0 | -16.0 | 2.64 | 2.58 | 2.51 | 2.45 | 2.39 |
| -10.0 | -11.0 | 3.04 | 2.97 | 2.89 | 2.82 | 2.75 |
| -5.0 | -7.0 | 3.44 | 3.36 | 3.27 | 3.19 | 3.11 |
| 0.0 | -2.0 | 4.38 | 4.28 | 4.17 | 4.07 | 3.96 |
| 5.0 | 3.0 | 4.90 | 4.79 | 4.67 | 4.55 | 4.44 |
| 7.0 | 6.0 | 4.90 | 4.79 | 4.67 | 4.55 | 4.44 |
| 10.0 | 8.0 | 4.90 | 4.79 | 4.67 | 4.55 | 4.44 |
| 15.0 | 10.0 | 4.90 | 4.79 | 4.67 | 4.55 | 4.44 |
| 20.0 | 15.0 | 4.90 | 4.79 | 4.67 | 4.55 | 4.44 |
| 24.0 | 18.0 | 4.90 | 4.79 | 4.67 | 4.55 | 4.44 |

NOTES:

- TC: Total Capacity (kW)
- Values mentioned in the table are based on the following conditions:
 - Pipe length: 5 m, Height difference: 0 m (Outdoor unit—Indoor unit)

7. Capacity compensation rate for pipe length and height difference



OUTDOOR UNIT
AOYG14-18KBTA2

OUTDOOR UNIT
AOYG14-18KBTA2

7-1. Model: AOYG14KBTA2

NOTE: Values mentioned in the table are calculated based on the maximum capacity.

■ Indoor unit: 7,000 Btu/h

| Cooling | | Pipe length | | | | | |
|---|--|-------------|-------|-------|-------|-------|-------|
| | | m | 2.5 | 5 | 10 | 15 | 20 |
| Height difference H (m) | Indoor unit is higher than outdoor unit *1 | 15 | — | — | — | 0.936 | 0.908 |
| | | 10 | — | — | 0.969 | 0.943 | 0.915 |
| | | 5 | — | 0.991 | 0.976 | 0.950 | 0.921 |
| | | 2.5 | 0.993 | 0.993 | 0.978 | 0.952 | 0.923 |
| | 0 | 1.000 | 1.000 | 0.985 | 0.959 | 0.930 | |
| Indoor unit is lower than outdoor unit *2 | -2.5 | 1.000 | 1.000 | 0.985 | 0.959 | 0.930 | |
| | -5 | — | 1.000 | 0.985 | 0.959 | 0.930 | |
| | -10 | — | — | 0.985 | 0.959 | 0.930 | |
| | -15 | — | — | — | 0.959 | 0.930 | |

| Heating | | Pipe length | | | | | |
|---|--|-------------|-------|-------|-------|-------|-------|
| | | m | 2.5 | 5 | 10 | 15 | 20 |
| Height difference H (m) | Indoor unit is higher than outdoor unit *1 | 15 | — | — | — | 0.937 | 0.915 |
| | | 10 | — | — | 0.956 | 0.937 | 0.915 |
| | | 5 | — | 1.000 | 0.956 | 0.937 | 0.915 |
| | | 2.5 | 0.990 | 1.000 | 0.956 | 0.937 | 0.915 |
| | 0 | 0.990 | 1.000 | 0.956 | 0.937 | 0.915 | |
| Indoor unit is lower than outdoor unit *2 | -2.5 | 0.986 | 0.996 | 0.952 | 0.933 | 0.911 | |
| | -5 | — | 0.994 | 0.950 | 0.931 | 0.909 | |
| | -10 | — | — | 0.946 | 0.928 | 0.906 | |
| | -15 | — | — | — | 0.923 | 0.901 | |

Indoor unit: 9,000 Btu/h

| Cooling | | Pipe length | | | | | |
|-------------------------|--|-------------|-------|-------|-------|-------|-------|
| | | m | 2.5 | 5 | 10 | 15 | 20 |
| Height difference H (m) | Indoor unit is higher than outdoor unit *1 | 15 | — | — | — | 0.924 | 0.891 |
| | | 10 | — | — | 0.962 | 0.931 | 0.899 |
| | | 5 | — | 0.991 | 0.968 | 0.938 | 0.905 |
| | | 2.5 | 0.993 | 0.993 | 0.970 | 0.940 | 0.907 |
| | Indoor unit is lower than outdoor unit *2 | 0 | 1.000 | 1.000 | 0.977 | 0.946 | 0.913 |
| | | -2.5 | 1.000 | 1.000 | 0.977 | 0.946 | 0.913 |
| | | -5 | — | 1.000 | 0.977 | 0.946 | 0.913 |
| | | -10 | — | — | 0.977 | 0.946 | 0.913 |
| | | -15 | — | — | — | 0.946 | 0.913 |

| Heating | | Pipe length | | | | | |
|-------------------------|--|-------------|-------|-------|-------|-------|-------|
| | | m | 2.5 | 5 | 10 | 15 | 20 |
| Height difference H (m) | Indoor unit is higher than outdoor unit *1 | 15 | — | — | — | 0.937 | 0.914 |
| | | 10 | — | — | 0.956 | 0.937 | 0.914 |
| | | 5 | — | 1.000 | 0.956 | 0.937 | 0.914 |
| | | 2.5 | 0.990 | 1.000 | 0.956 | 0.937 | 0.914 |
| | Indoor unit is lower than outdoor unit *2 | 0 | 0.990 | 1.000 | 0.956 | 0.937 | 0.914 |
| | | -2.5 | 0.986 | 0.996 | 0.952 | 0.933 | 0.910 |
| | | -5 | — | 0.994 | 0.950 | 0.931 | 0.908 |
| | | -10 | — | — | 0.946 | 0.927 | 0.905 |
| | | -15 | — | — | — | 0.923 | 0.900 |

Indoor unit: 12,000 Btu/h

| Cooling | | Pipe length | | | | | |
|-------------------------|--|-------------|-------|-------|-------|-------|-------|
| | | m | 2.5 | 5 | 10 | 15 | 20 |
| Height difference H (m) | Indoor unit is higher than outdoor unit *1 | 15 | — | — | — | 0.914 | 0.877 |
| | | 10 | — | — | 0.959 | 0.921 | 0.884 |
| | | 5 | — | 0.991 | 0.965 | 0.928 | 0.890 |
| | | 2.5 | 0.993 | 0.993 | 0.967 | 0.930 | 0.893 |
| | Indoor unit is lower than outdoor unit *2 | 0 | 1.000 | 1.000 | 0.974 | 0.936 | 0.899 |
| | | -2.5 | 1.000 | 1.000 | 0.974 | 0.936 | 0.899 |
| | | -5 | — | 1.000 | 0.974 | 0.936 | 0.899 |
| | | -10 | — | — | 0.974 | 0.936 | 0.899 |
| | | -15 | — | — | — | 0.936 | 0.899 |

| Heating | | Pipe length | | | | | |
|-------------------------|--|-------------|-------|-------|-------|-------|-------|
| | | m | 2.5 | 5 | 10 | 15 | 20 |
| Height difference H (m) | Indoor unit is higher than outdoor unit *1 | 15 | — | — | — | 0.936 | 0.914 |
| | | 10 | — | — | 0.955 | 0.936 | 0.914 |
| | | 5 | — | 1.000 | 0.955 | 0.936 | 0.914 |
| | | 2.5 | 0.992 | 1.000 | 0.955 | 0.936 | 0.914 |
| | Indoor unit is lower than outdoor unit *2 | 0 | 0.992 | 1.000 | 0.955 | 0.936 | 0.914 |
| | | -2.5 | 0.988 | 0.996 | 0.951 | 0.932 | 0.910 |
| | | -5 | — | 0.994 | 0.949 | 0.930 | 0.908 |
| | | -10 | — | — | 0.945 | 0.927 | 0.905 |
| | | -15 | — | — | — | 0.922 | 0.900 |

7-2. Model: AOYG18KBTA2

NOTE: Values mentioned in the table are calculated based on the maximum capacity.

■ Indoor unit: 7,000 Btu/h

| Cooling | | Pipe length | | | | | |
|-------------------------|--|-------------|-------|-------|-------|-------|-------|
| | | m | 2.5 | 5 | 10 | 15 | 20 |
| Height difference H (m) | Indoor unit is higher than outdoor unit *1 | 15 | — | — | — | 0.940 | 0.914 |
| | | 10 | — | — | 0.973 | 0.948 | 0.921 |
| | | 5 | — | 0.991 | 0.980 | 0.955 | 0.928 |
| | | 2.5 | 0.993 | 0.993 | 0.982 | 0.957 | 0.930 |
| | | 0 | 1.000 | 1.000 | 0.989 | 0.963 | 0.936 |
| | Indoor unit is lower than outdoor unit *2 | -2.5 | 1.000 | 1.000 | 0.989 | 0.963 | 0.936 |
| | | -5 | — | 1.000 | 0.989 | 0.963 | 0.936 |
| | | -10 | — | — | 0.989 | 0.963 | 0.936 |
| | | -15 | — | — | — | 0.963 | 0.936 |

| Heating | | Pipe length | | | | | |
|-------------------------|--|-------------|-------|-------|-------|-------|-------|
| | | m | 2.5 | 5 | 10 | 15 | 20 |
| Height difference H (m) | Indoor unit is higher than outdoor unit *1 | 15 | — | — | — | 0.942 | 0.925 |
| | | 10 | — | — | 0.959 | 0.942 | 0.925 |
| | | 5 | — | 1.000 | 0.959 | 0.942 | 0.925 |
| | | 2.5 | 0.990 | 1.000 | 0.959 | 0.942 | 0.925 |
| | | 0 | 0.990 | 1.000 | 0.959 | 0.942 | 0.925 |
| | Indoor unit is lower than outdoor unit *2 | -2.5 | 0.986 | 0.996 | 0.955 | 0.938 | 0.921 |
| | | -5 | — | 0.994 | 0.953 | 0.936 | 0.919 |
| | | -10 | — | — | 0.949 | 0.933 | 0.916 |
| | | -15 | — | — | — | 0.928 | 0.911 |

■ Indoor unit: 9,000 Btu/h

| Cooling | | Pipe length | | | | | |
|-------------------------|--|-------------|-------|-------|-------|-------|-------|
| | | m | 2.5 | 5 | 10 | 15 | 20 |
| Height difference H (m) | Indoor unit is higher than outdoor unit *1 | 15 | — | — | — | 0.928 | 0.898 |
| | | 10 | — | — | 0.966 | 0.936 | 0.905 |
| | | 5 | — | 0.991 | 0.972 | 0.942 | 0.911 |
| | | 2.5 | 0.993 | 0.993 | 0.974 | 0.944 | 0.913 |
| | | 0 | 1.000 | 1.000 | 0.981 | 0.951 | 0.920 |
| | Indoor unit is lower than outdoor unit *2 | -2.5 | 1.000 | 1.000 | 0.981 | 0.951 | 0.920 |
| | | -5 | — | 1.000 | 0.981 | 0.951 | 0.920 |
| | | -10 | — | — | 0.981 | 0.951 | 0.920 |
| | | -15 | — | — | — | 0.951 | 0.920 |

| Heating | | Pipe length | | | | | |
|-------------------------|--|-------------|-------|-------|-------|-------|-------|
| | | m | 2.5 | 5 | 10 | 15 | 20 |
| Height difference H (m) | Indoor unit is higher than outdoor unit *1 | 15 | — | — | — | 0.942 | 0.924 |
| | | 10 | — | — | 0.959 | 0.942 | 0.924 |
| | | 5 | — | 1.000 | 0.959 | 0.942 | 0.924 |
| | | 2.5 | 0.990 | 1.000 | 0.959 | 0.942 | 0.924 |
| | | 0 | 0.990 | 1.000 | 0.959 | 0.942 | 0.924 |
| | Indoor unit is lower than outdoor unit *2 | -2.5 | 0.986 | 0.996 | 0.955 | 0.938 | 0.920 |
| | | -5 | — | 0.994 | 0.953 | 0.936 | 0.918 |
| | | -10 | — | — | 0.949 | 0.932 | 0.915 |
| | | -15 | — | — | — | 0.928 | 0.910 |

■ Indoor unit: 12,000 Btu/h

| Cooling | | Pipe length | | | | | |
|-------------------------|--|-------------|-------|-------|-------|-------|-------|
| | | m | 2.5 | 5 | 10 | 15 | 20 |
| Height difference H (m) | Indoor unit is higher than outdoor unit *1 | 15 | — | — | — | 0.919 | 0.883 |
| | | 10 | — | — | 0.962 | 0.926 | 0.891 |
| | | 5 | — | 0.991 | 0.969 | 0.933 | 0.897 |
| | | 2.5 | 0.993 | 0.993 | 0.971 | 0.935 | 0.899 |
| | Indoor unit is lower than outdoor unit *2 | 0 | 1.000 | 1.000 | 0.978 | 0.941 | 0.905 |
| | | -2.5 | 1.000 | 1.000 | 0.978 | 0.941 | 0.905 |
| | | -5 | — | 1.000 | 0.978 | 0.941 | 0.905 |
| | | -10 | — | — | 0.978 | 0.941 | 0.905 |
| | | -15 | — | — | — | 0.941 | 0.905 |

| Heating | | Pipe length | | | | | |
|-------------------------|--|-------------|-------|-------|-------|-------|-------|
| | | m | 2.5 | 5 | 10 | 15 | 20 |
| Height difference H (m) | Indoor unit is higher than outdoor unit *1 | 15 | — | — | — | 0.941 | 0.924 |
| | | 10 | — | — | 0.958 | 0.941 | 0.924 |
| | | 5 | — | 1.000 | 0.958 | 0.941 | 0.924 |
| | | 2.5 | 0.992 | 1.000 | 0.958 | 0.941 | 0.924 |
| | Indoor unit is lower than outdoor unit *2 | 0 | 0.992 | 1.000 | 0.958 | 0.941 | 0.924 |
| | | -2.5 | 0.988 | 0.996 | 0.954 | 0.937 | 0.920 |
| | | -5 | — | 0.994 | 0.952 | 0.935 | 0.918 |
| | | -10 | — | — | 0.948 | 0.932 | 0.915 |
| | | -15 | — | — | — | 0.927 | 0.910 |

■ Indoor unit: 14,000 Btu/h

| Cooling | | Pipe length | | | | | |
|-------------------------|--|-------------|-------|-------|-------|-------|-------|
| | | m | 2.5 | 5 | 10 | 15 | 20 |
| Height difference H (m) | Indoor unit is higher than outdoor unit *1 | 15 | — | — | — | 0.913 | 0.873 |
| | | 10 | — | — | 0.959 | 0.919 | 0.882 |
| | | 5 | — | 0.991 | 0.967 | 0.927 | 0.888 |
| | | 2.5 | 0.993 | 0.993 | 0.969 | 0.929 | 0.890 |
| | Indoor unit is lower than outdoor unit *2 | 0 | 1.000 | 1.000 | 0.976 | 0.934 | 0.895 |
| | | -2.5 | 1.000 | 1.000 | 0.976 | 0.934 | 0.895 |
| | | -5 | — | 1.000 | 0.976 | 0.934 | 0.895 |
| | | -10 | — | — | 0.976 | 0.934 | 0.895 |
| | | -15 | — | — | — | 0.934 | 0.895 |

| Heating | | Pipe length | | | | | |
|-------------------------|--|-------------|-------|-------|-------|-------|-------|
| | | m | 3 | 7.5 | 10 | 15 | 20 |
| Height difference H (m) | Indoor unit is higher than outdoor unit *1 | 15 | — | — | — | 0.940 | 0.924 |
| | | 10 | — | — | 0.957 | 0.940 | 0.924 |
| | | 5 | — | 1.000 | 0.957 | 0.940 | 0.924 |
| | | 2.5 | 0.993 | 1.000 | 0.957 | 0.940 | 0.924 |
| | Indoor unit is lower than outdoor unit *2 | 0 | 0.993 | 1.000 | 0.957 | 0.940 | 0.924 |
| | | -2.5 | 0.989 | 0.996 | 0.953 | 0.936 | 0.920 |
| | | -5 | — | 0.994 | 0.951 | 0.934 | 0.918 |
| | | -10 | — | — | 0.947 | 0.932 | 0.915 |
| | | -15 | — | — | — | 0.926 | 0.910 |

8. Additional charge calculation

8-1. Model: AOYG14KBTA2

| | | |
|--------------------|---|-----|
| Refrigerant type | | R32 |
| Refrigerant amount | g | 900 |

■ Refrigerant charge

| | | | | |
|-------------------|---|------------|-----------|--------|
| Total pipe length | m | 20 or less | 30 (Max.) | 20 g/m |
| Additional charge | g | 0 | 200 | |

8-2. Model: AOYG18KBTA2

| | | |
|--------------------|---|-------|
| Refrigerant type | | R32 |
| Refrigerant amount | g | 1,020 |

■ Refrigerant charge

| | | | | |
|-------------------|---|------------|-----------|--------|
| Total pipe length | m | 20 or less | 30 (Max.) | 20 g/m |
| Additional charge | g | 0 | 200 | |

9. Airflow

9-1. Model: AOYG14KBTA2

● Cooling

| | |
|-------------------|-------|
| m ³ /h | 1,670 |
| l/s | 464 |
| CFM | 983 |

● Heating

| | |
|-------------------|-------|
| m ³ /h | 1,670 |
| l/s | 464 |
| CFM | 983 |

9-2. Model: AOYG18KBTA2

● Cooling

| | |
|-------------------|-------|
| m ³ /h | 1,960 |
| l/s | 544 |
| CFM | 1,154 |

● Heating

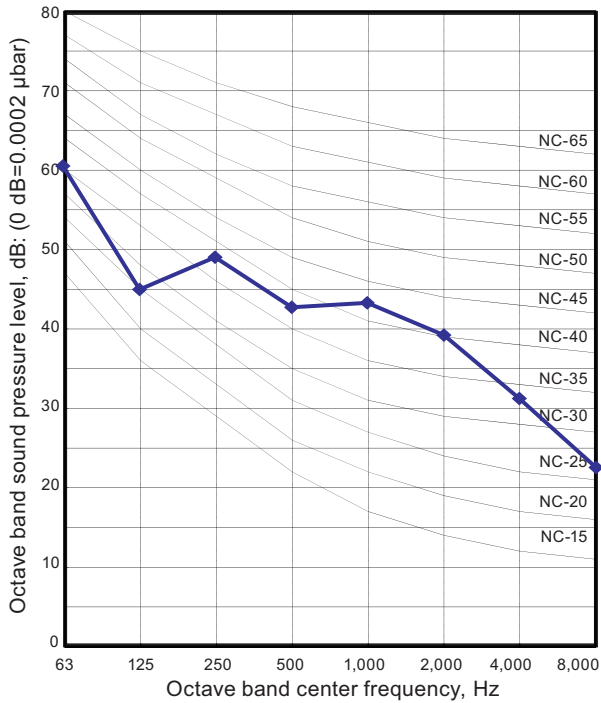
| | |
|-------------------|-------|
| m ³ /h | 2,020 |
| l/s | 561 |
| CFM | 1,189 |

10. Operation noise (sound pressure)

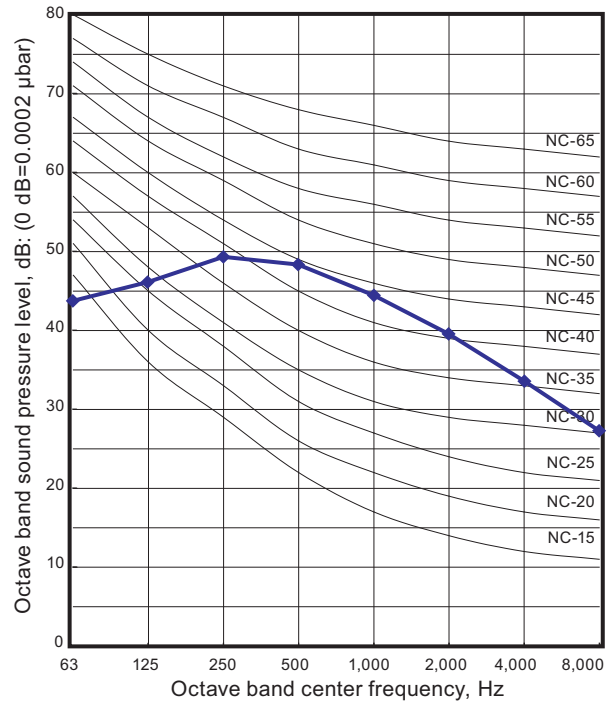
10-1. Noise level curve

Model: AOYG14KBTA2

Cooling

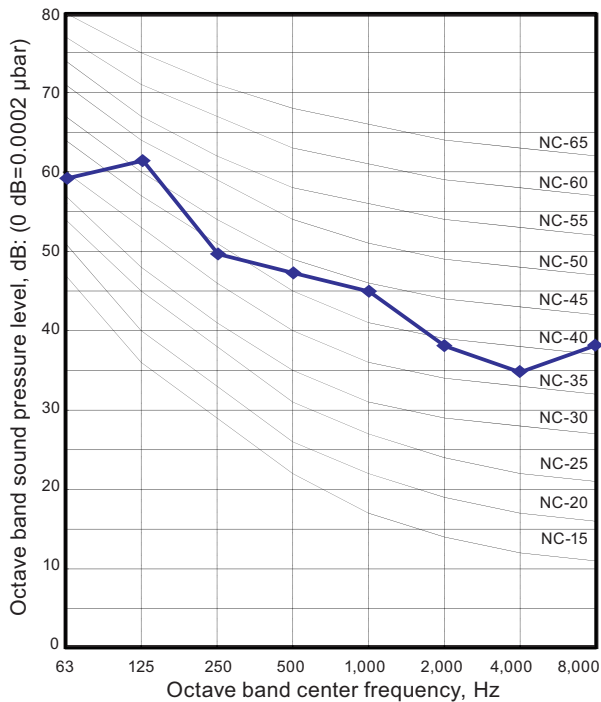


Heating

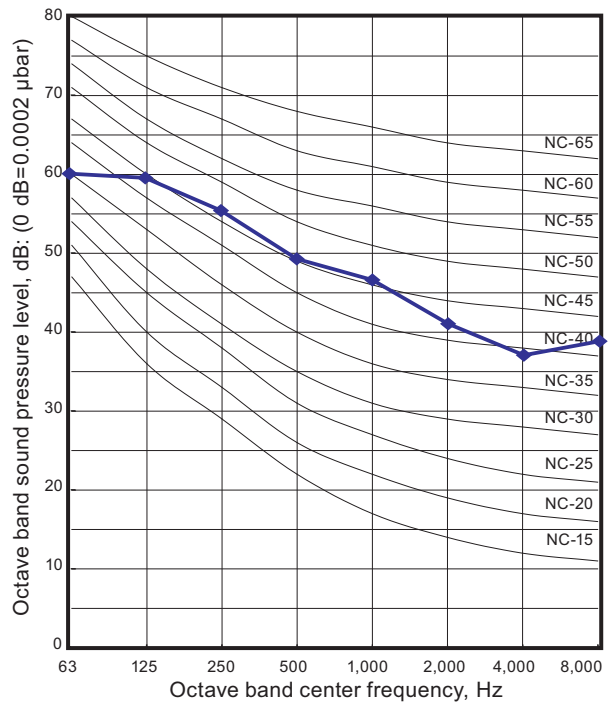


Model: AOYG18KBTA2

Cooling



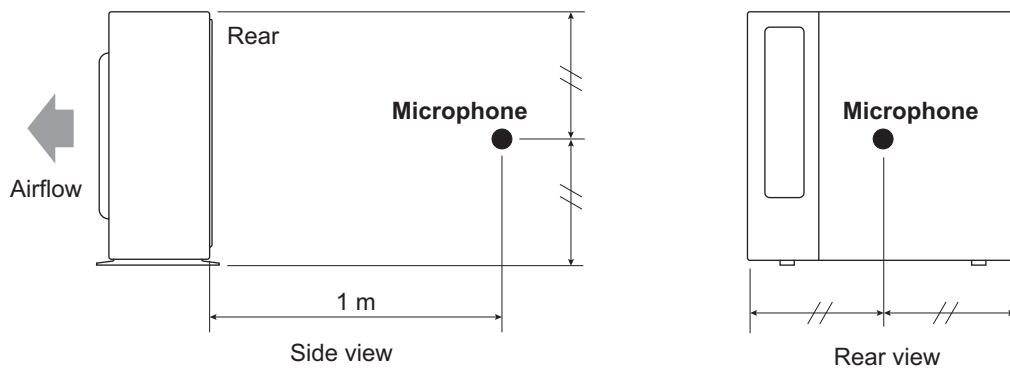
Heating



OUTDOOR UNIT
AOYG14-18KBTA2

OUTDOOR UNIT
AOYG14-18KBTA2

10-2. Sound level check point



NOTE: Detailed shape of the actual outdoor unit might be slightly different from the one illustrated above.

11. Electrical characteristics

| Model name | | | AOYG14KBTA2 | AOYG18KBTA2 |
|------------------------------|-------------------------------------|-----------------------|-----------------|-------------|
| Power supply | Voltage | V | 230 ~ | |
| | Frequency | Hz | 50 | |
| Maximum operating current *1 | | A | 10.9 | 11.6 |
| Starting current | | A | 4.7 | 5.6 |
| Wiring spec. *2 | Main fuse (Circuit breaker) current | | A | |
| | Power cable | | mm ² | |
| | Connection cable *3 | Cross-sectional area | 1.5 | |
| | | Limited wiring length | m | 21 |

*1: Maximum operating current is the total current of the indoor unit and the outdoor unit.

*2: Selected sample based on Japan Electrotechnical Standards and Codes Committee E0005. As the regulations of wire size and circuit breaker differ in each country or region, select appropriate devices complied to the regional standard.



*3: This is the wiring length in case voltage descent is less than 2%. When the wiring length becomes longer, select the wiring of a more larger diameter.

12. Safety devices

| Type of protection | Protection form | | Model | |
|-----------------------|---|----------|--|---|
| | | | AOYG14KBTA2 | AOYG18KBTA2 |
| Circuit protection | Current fuse (Main PCB) | | 250 V, 5 A 250 V, 20 A 250 V, 3.15 A | 250 V, 5 A 250 V, 25 A 250 V, 3.15 A |
| Fan motor protection | Thermal protector | Activate | 127 ±5 °C Fan motor stop | 125 ±10 °C Fan motor stop |
| | | Reset | 95 °C or less Fan motor restart | 120 ±10 °C Fan motor restart |
| Compressor protection | Temperature thermistor (Discharge temp.) | Activate | 110 °C Compressor stop | |
| | | Reset | After 7 minutes Compressor restart | |
| | Temperature thermistor (Compressor bottom temp.) | Activate | — | 108 °C Compressor stop |
| | | Reset | — | After 3 minutes, and 80 °C or less Compressor restart |
| | Thermal protection program (Outdoor temp.) (Only in COOL or DRY mode) | Activate | -20 °C Compressor stop | |
| | | Reset | -15 °C Compressor restart | |

13. Accessories

13-1. Models: AOYG14KBTA2 and AOYG18KBTA2

| Part name | Exterior | Q'ty | Part name | Exterior | Q'ty |
|---------------------|---|------|------------|---|------|
| Installation manual |  | 1 | Drain pipe |  | 1 |

14. Outdoor unit installation precautions

NOTE: The information listed below are general precautions.
Some models also include items that do not apply.

14-1. Places where prohibited for use

- Places where there is a danger of combustible gas leakage.
- Places where sulfur gas, chlorine gas, acid, alkali, or other matter which effects equipment is generated.
- Places affected by heat radiation from other heat sources.
- Places where the air is stagnant.
- Places where machinery which generates high frequencies is used.
- Ocean beaches and other areas where there is a lot of salt.
- Inside of vehicles, ships, and other conveyances.
- Places where voltage fluctuations are large such as a factory.

14-2. Points to remember when installing

- The product shall be installed at a place which can withstand the weight and vibration of the outdoor unit.
- To allow maintenance after refrigerant piping, drain piping, and electric wiring connection and installation, provide an installation service space.
*Installation service space is shown in "[Installation space](#)" on page 236.
- Be careful when installing the set at the following places.

| Condition | Contents | Countermeasures (Reference) |
|---|--|--|
| When installed near adjacent houses. | Perform installation work so that operating sound does not disturb the neighbors. | <ol style="list-style-type: none"> 1. Install a soundproof barrier. 2. Change the installation site. |
| When there is the possibility of strong wind. | <ul style="list-style-type: none"> • If the outdoor unit is exposed to strong wind, capacity may drop, frost may form during heating, and operation may be stopped by high pressure rise. In addition, when a very strong wind blows, the fan may be damaged. • When a very strong wind blows, there is the possibility of the outdoor unit being toppled over if held only by foundation bolts. | <ol style="list-style-type: none"> 1. Install the outdoor unit with keeping a sufficient distance between the outlet side of the unit and a facing wall or fence. 2. Make the outlet direction and wind direction perpendicular. 3. Fasten the outdoor unit using toppling prevention hardware (purchased locally). |
| When snow accumulates. | If the outdoor unit is covered by accumulated snow, it may not be able to operate. | <ol style="list-style-type: none"> 1. Make the foundation as high as possible. 2. Perform snow prevention work. |
| When installing the inverter type. | It may generate noise in TV sets, stereos and PCs. | The inverter type should be installed at a sufficient distance from these equipments. |