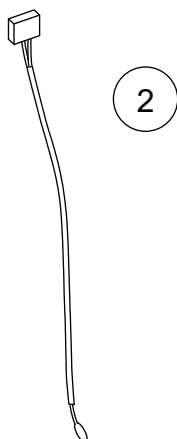
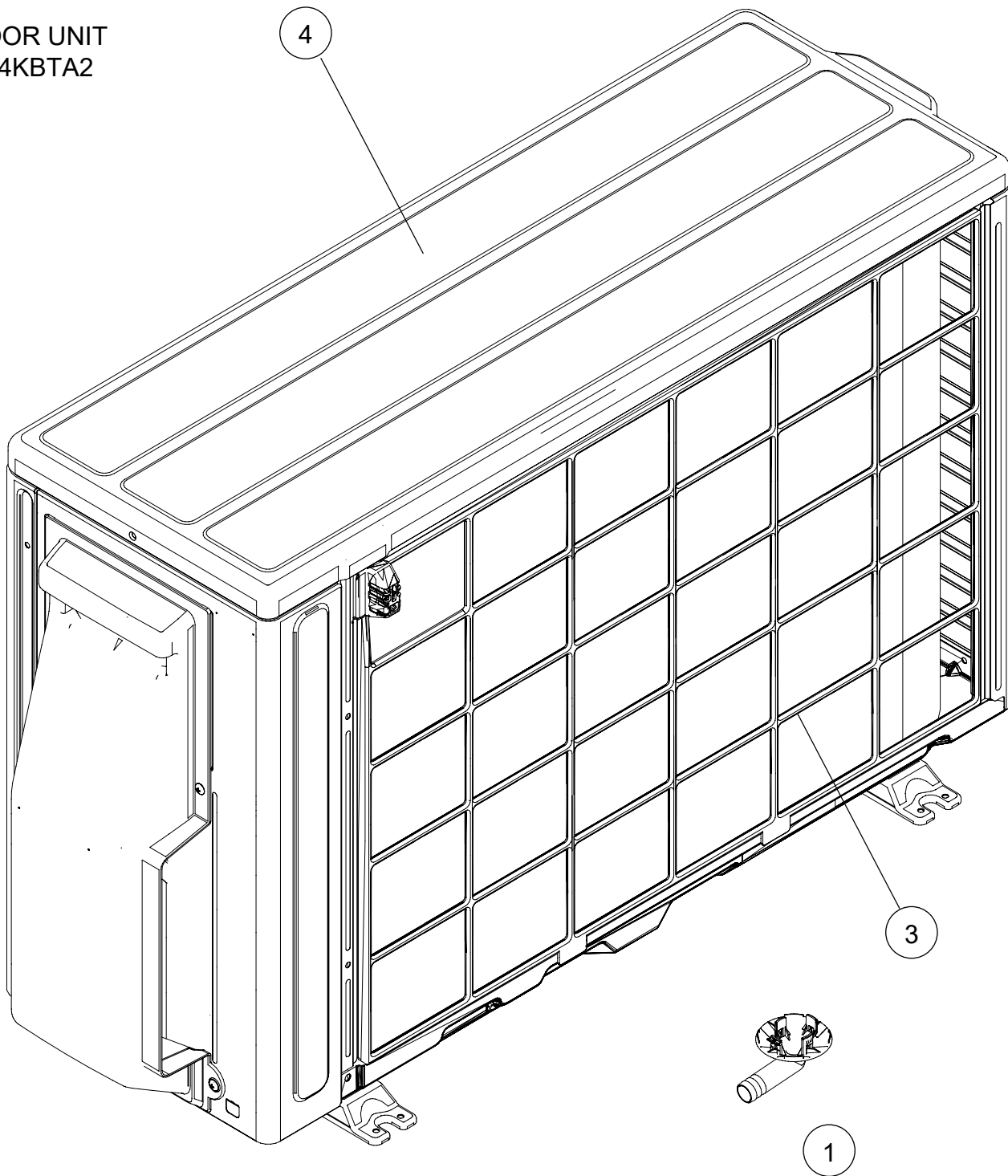


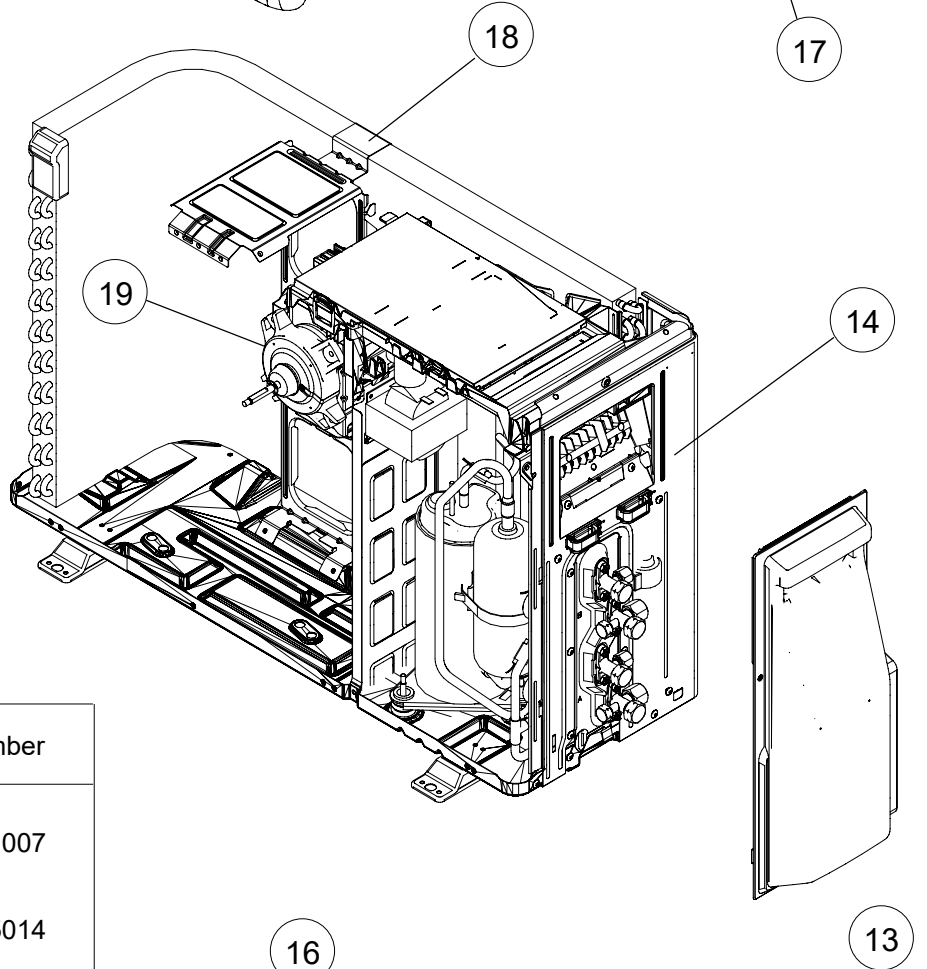
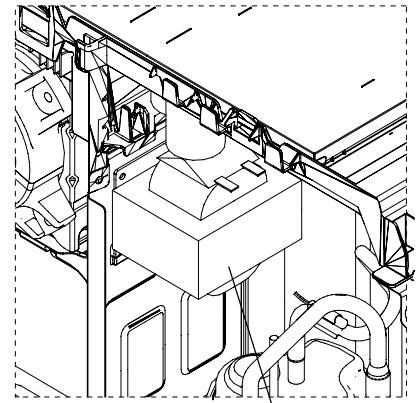
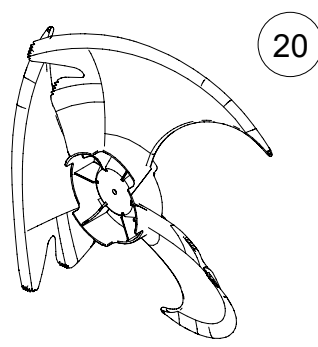
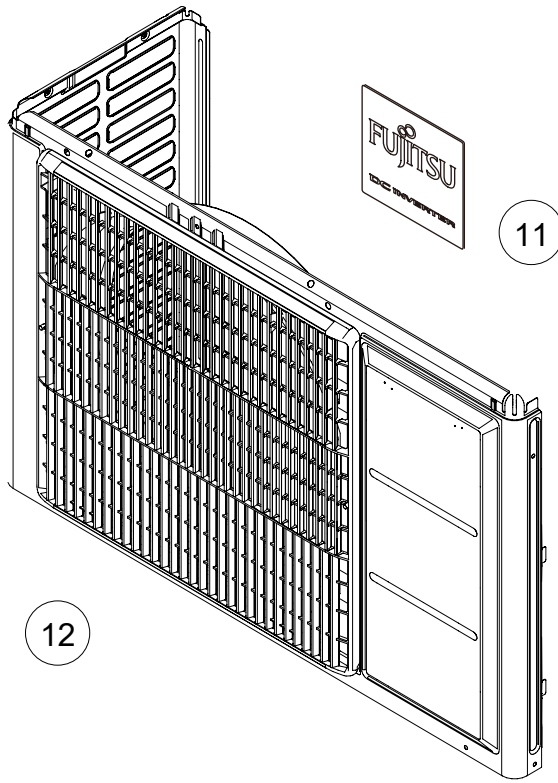
# Parts

OUTDOOR UNIT  
AOYG14KBTA2

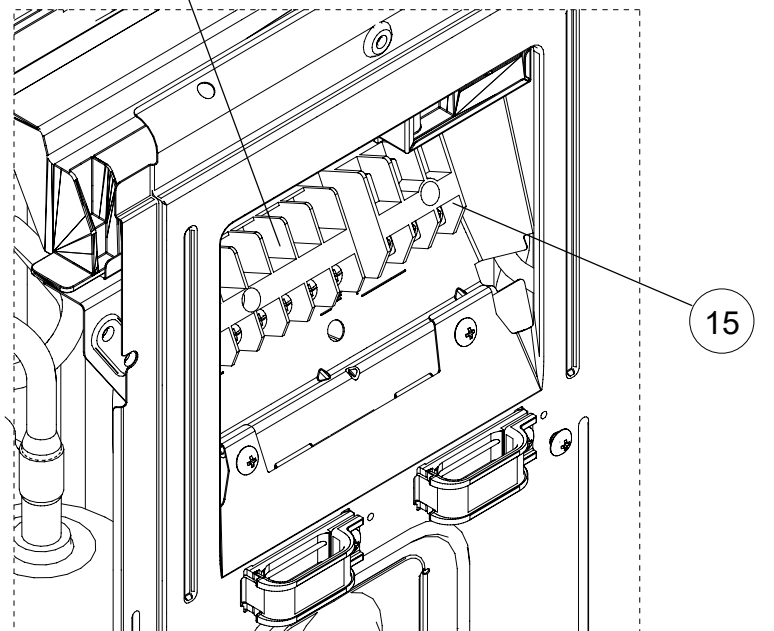


Ref.	Description	Part number
1	Drain pipe	9322144003
2	Outdoor thermistor	9900565060
3	Protective net assy	9322811011
4	Top panel assy	9322556028

OUTDOOR UNIT  
AOYG14KBTA2

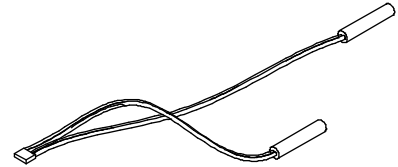


Ref.	Description	Part number
11	Emblem	9319151007
12	Front panel assy	9322555014
13	Switch cover assy	9322570055
14	Cabinet right assy	9322552181
15	Terminal 3P	9900369064
16	Terminal 6P	9900435042
17	Reactor assy	9900963019
18	Motor bracket assy	9322553010
19	Brushless motor	9603553005
20	Propeller fan	9322136008

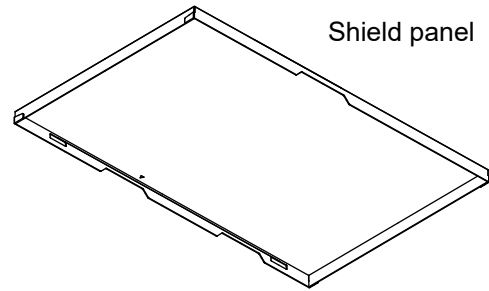


OUTDOOR UNIT  
AOYG14KBTA2

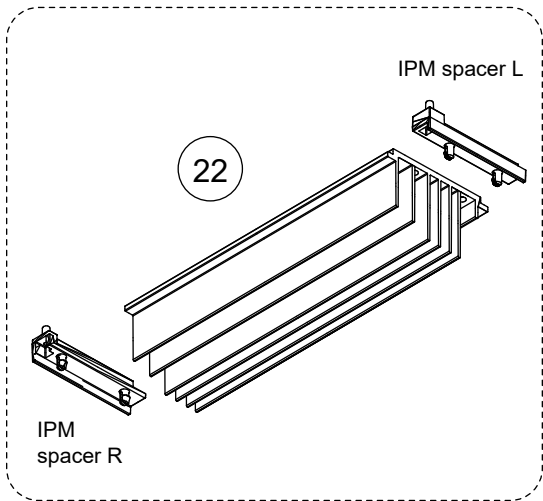
Ref.	Description	Part number
21	Main PCB (Service)	9709683781
22	Heatsink	9322418005
23	Thermistor assy	9900727062
--	Heat ex. thermistor	9900984014
--	Thermistor assy (AB)	9901025013
--	Compressor temp. thermistor	9900985035



23



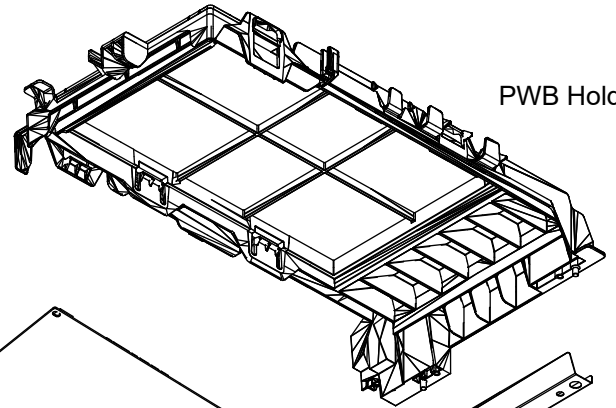
Shield panel



22

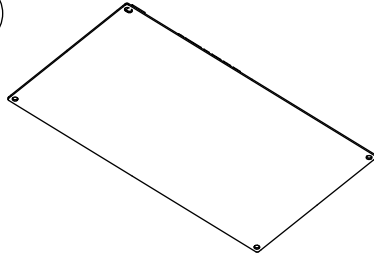
IPM spacer L

IPM spacer R

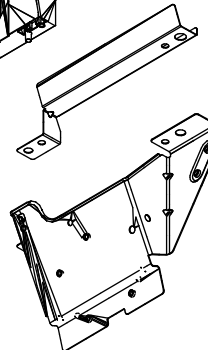


PWB Holder

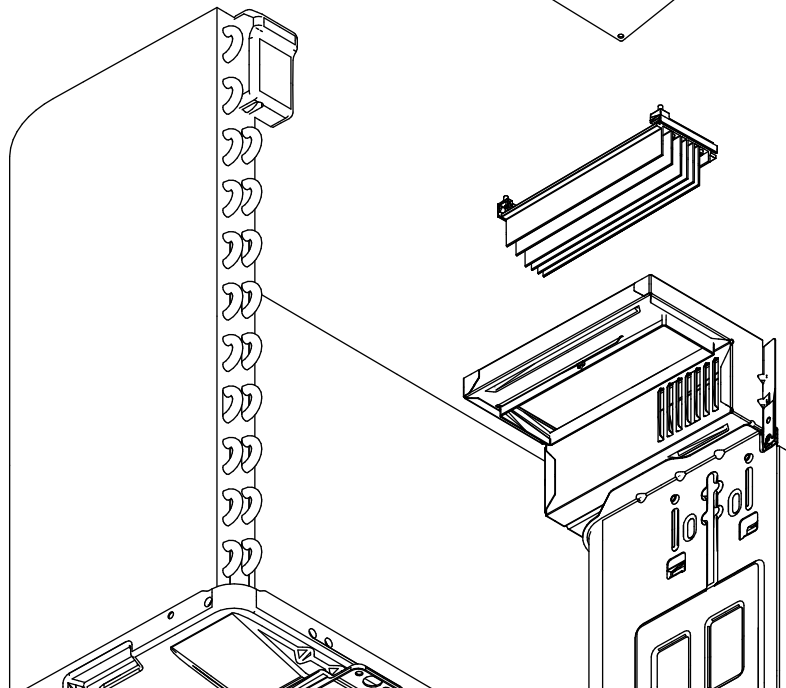
21



Auxiliary plate

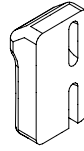


Terminal bracket assy

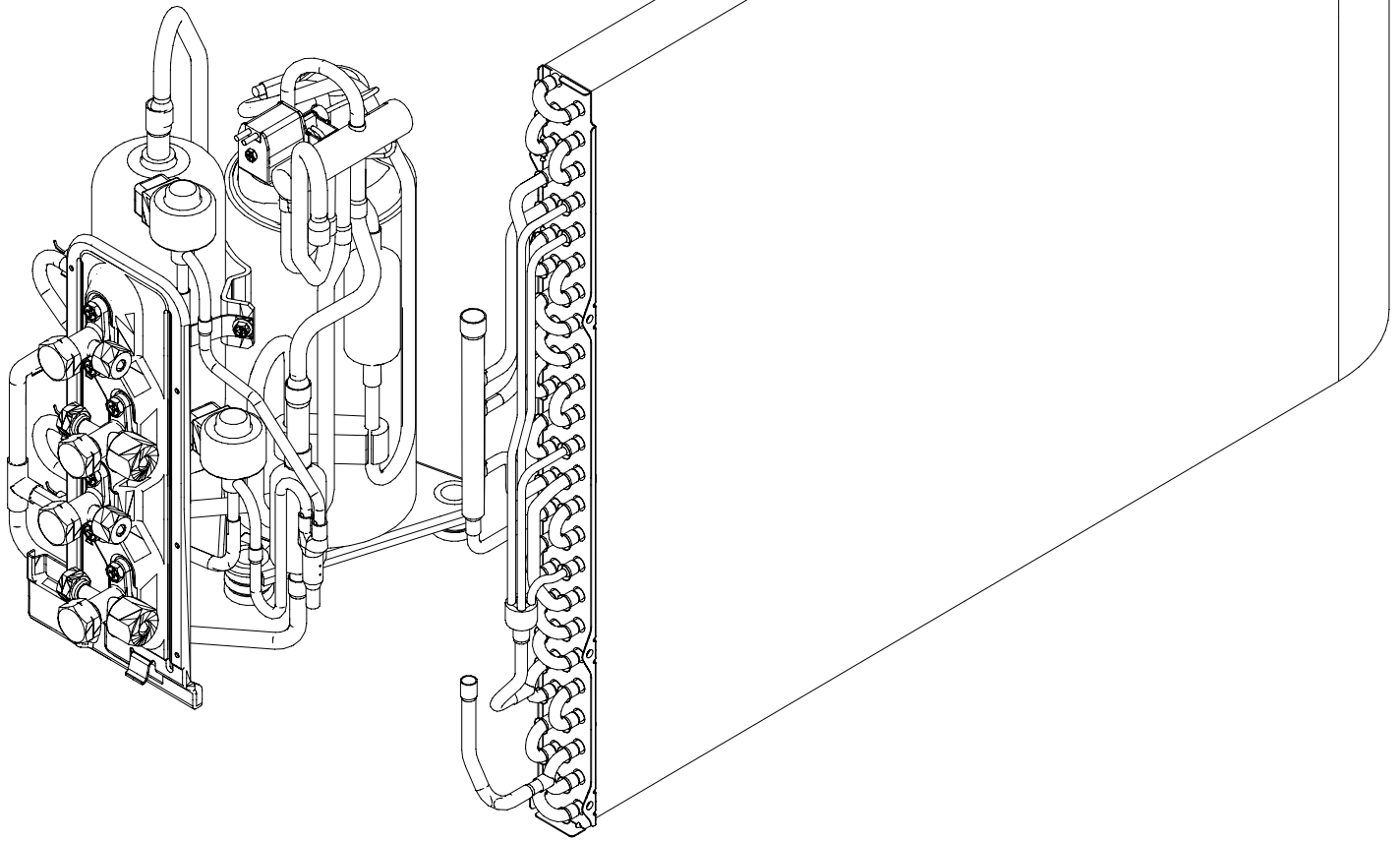


OUTDOOR UNIT  
AOYG14KBTA2

Hair pin  
cushion

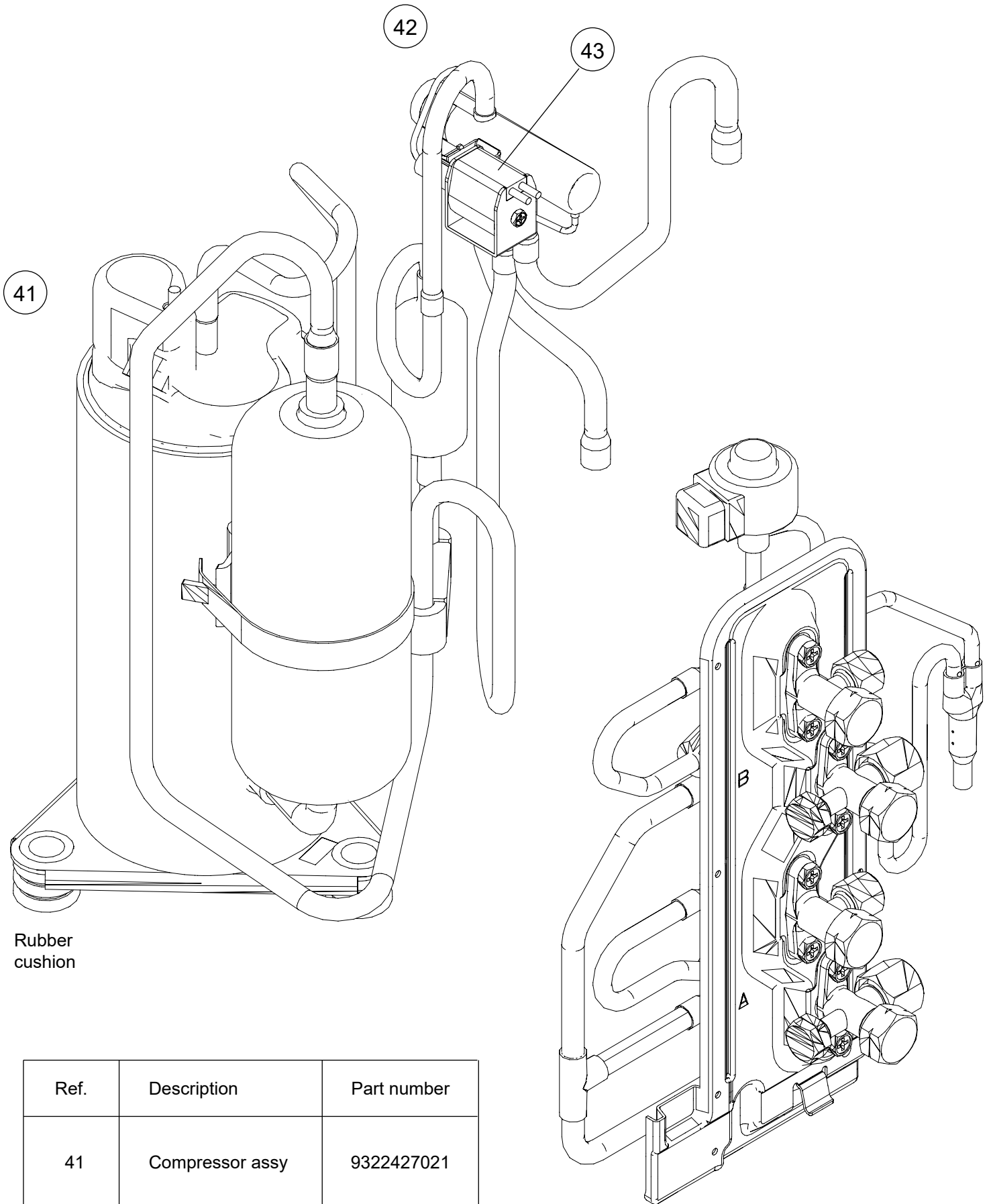


31



Ref.	Description	Part number
31	Condenser total assy	9322275028
-	S-insulator B	9322535009
-	S-insulator F	9322536013
-	S-insulator H	9322537003
-	S-insulator V	9323045002

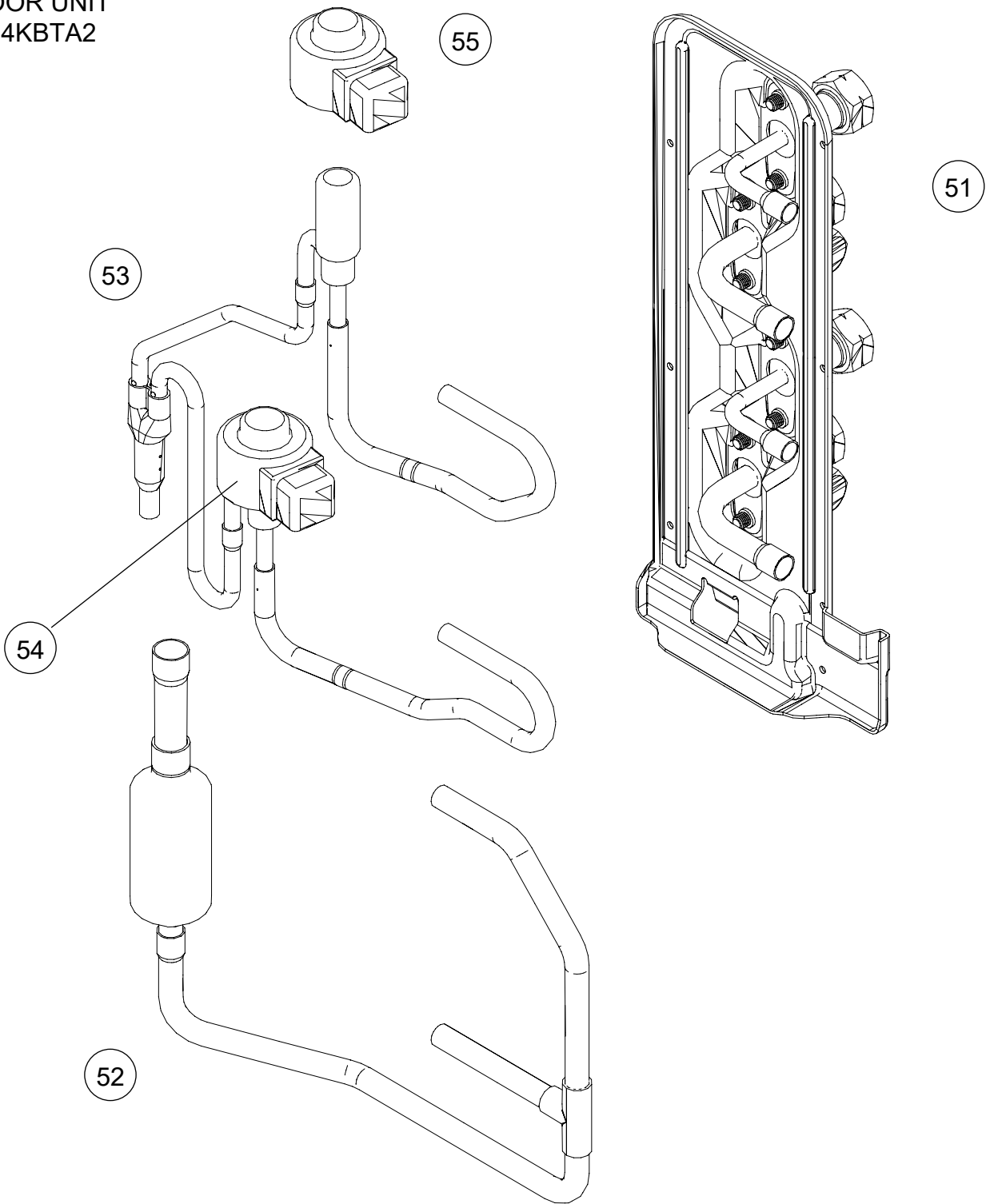
OUTDOOR UNIT  
AOYG14KBTA2



Rubber  
cushion

Ref.	Description	Part number
41	Compressor assy	9322427021
42	4-way valve assy	9322444035
43	Solenoid	9970206009

OUTDOOR UNIT  
AOYG14KBTA2



Ref.	Description	Part number
51	Valve assy	9383070006
52	Valve gas pipe assy	9382236038
53	Pulse motor valve assy	9383071003
54	Expansion valve coil (A)	9970186042
55	Expansion valve coil (B)	9970187032