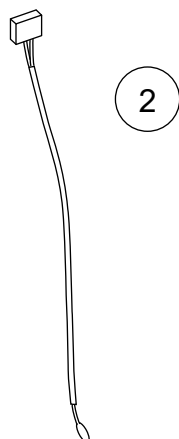
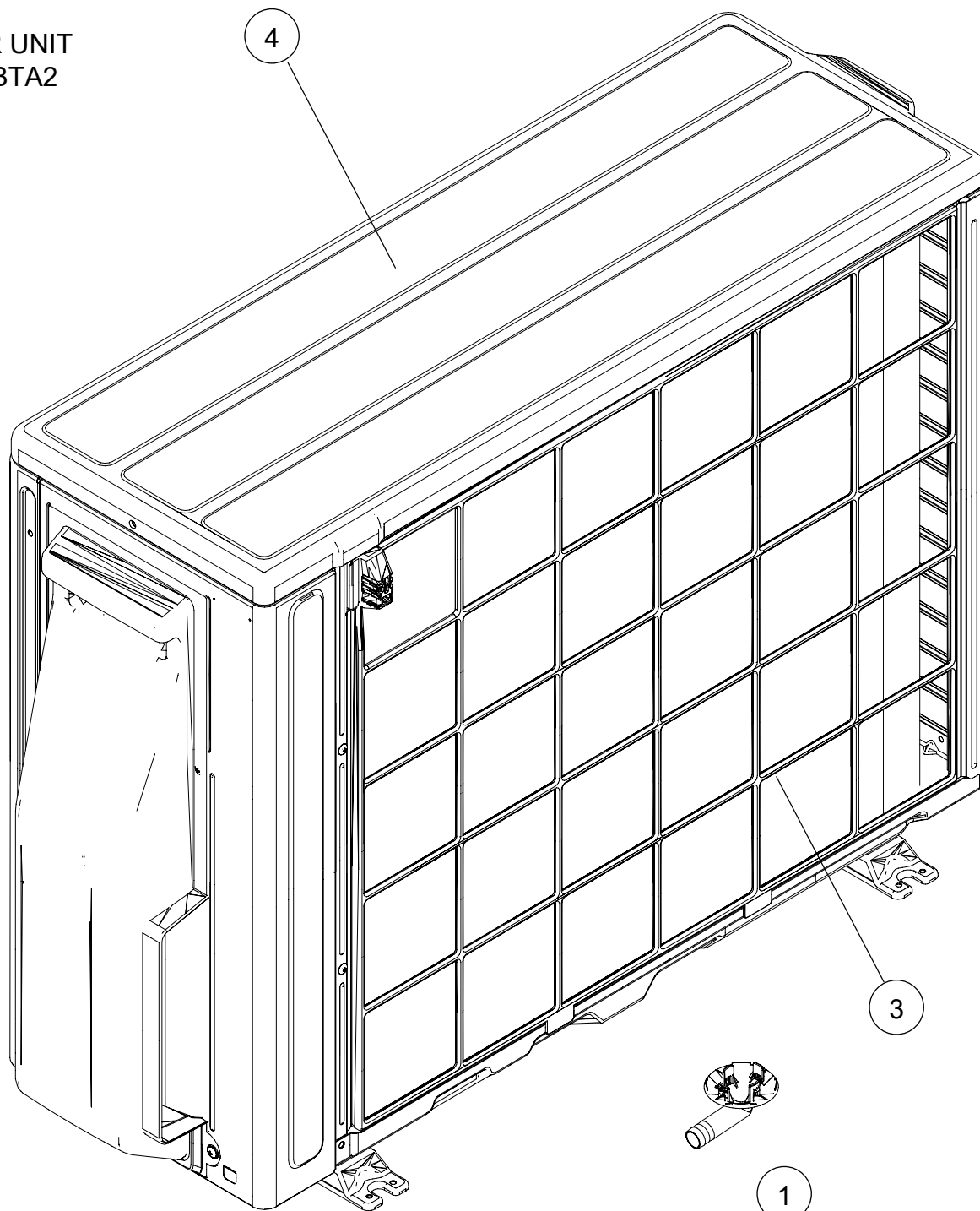


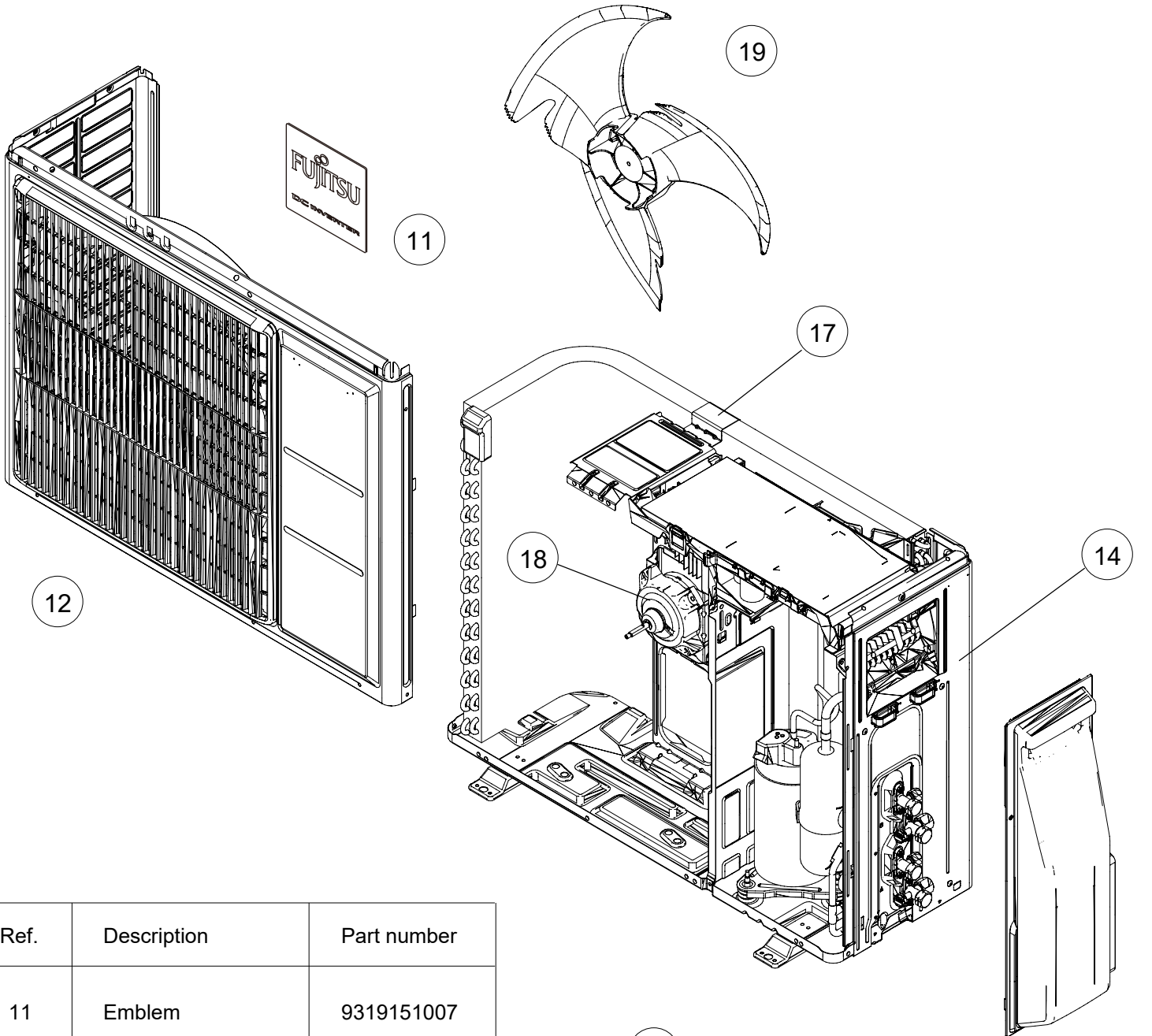
PARTS

OUTDOOR UNIT
AOYG18KBTA2

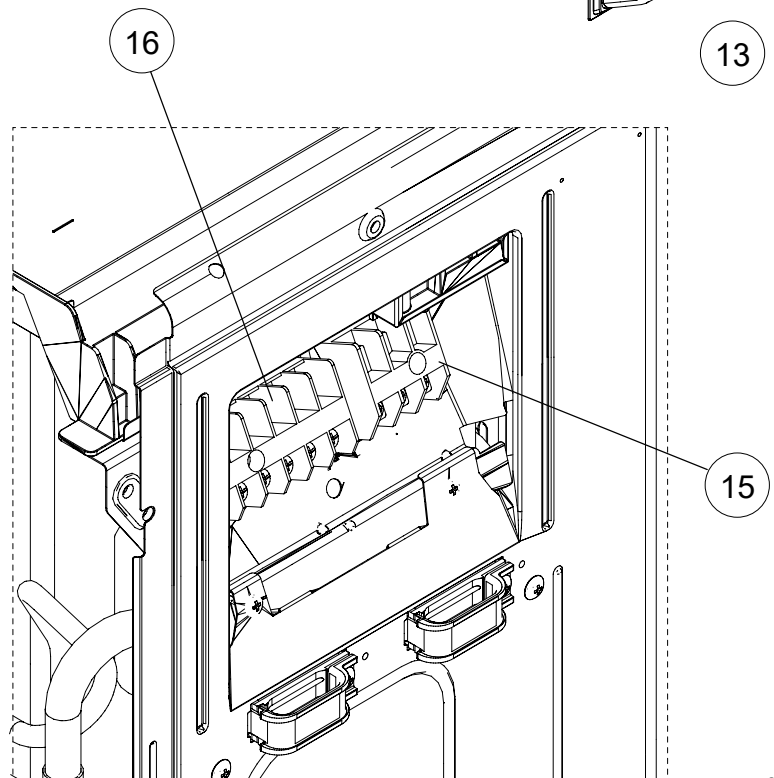


Ref.	Description	Part number
1	Drain pipe	9322144003
2	Outdoor thermistor	9900565060
3	Protective net assy	9322811028
4	Top panel assy	9322556028

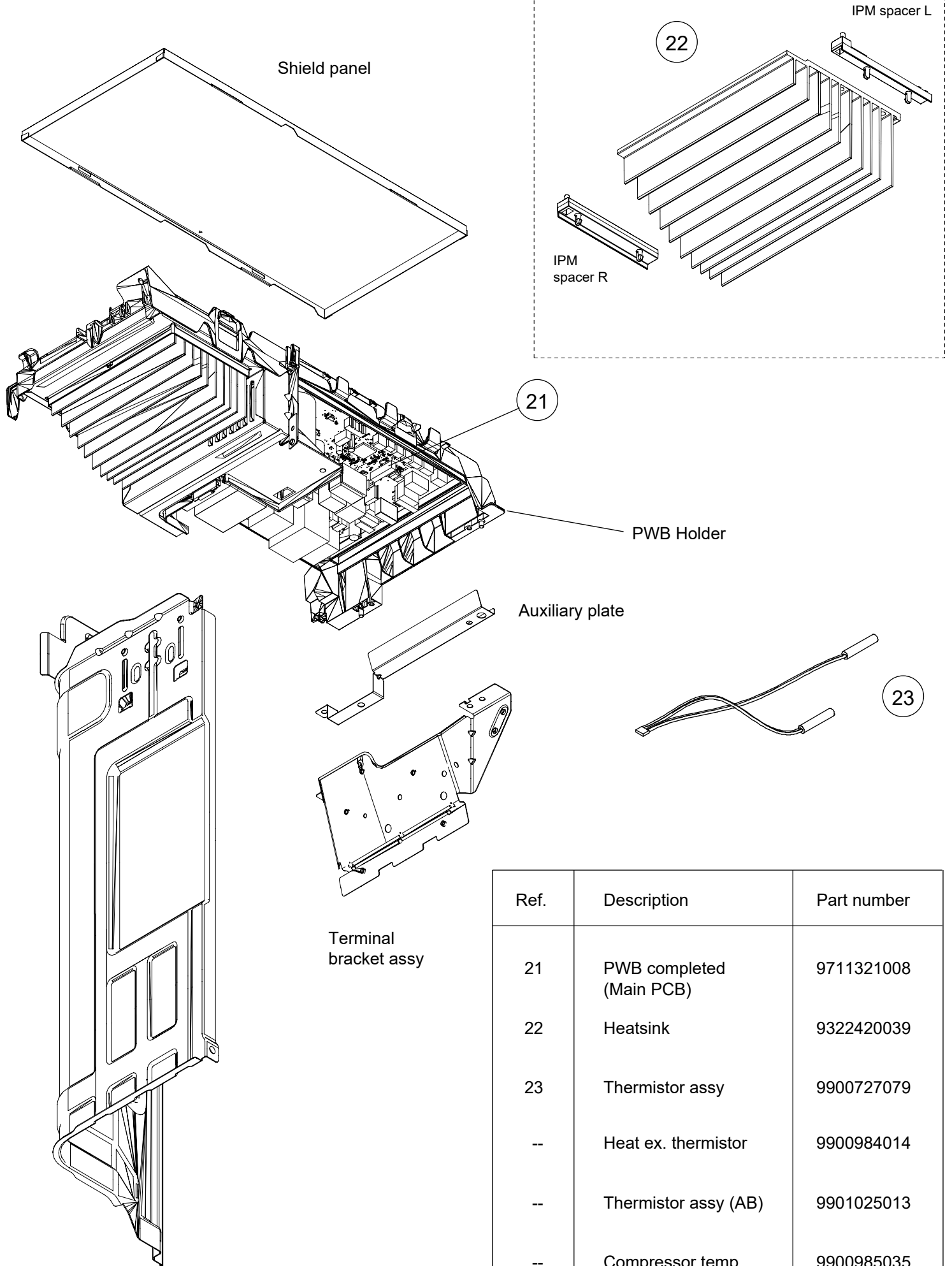
OUTDOOR UNIT
AOYG18KBTA2



Ref.	Description	Part number
11	Emblem	9319151007
12	Front panel assy	9322555021
13	Switch cover assy	9322570062
14	Cabinet right assy	9322552198
15	Terminal 3P	9900369064
16	Terminal 6P	9900435042
17	Motor bracket assy	9322553027
18	Brushless motor	9603601003
19	Propeller fan	9322150004



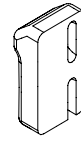
OUTDOOR UNIT
AOYG18KBTA2



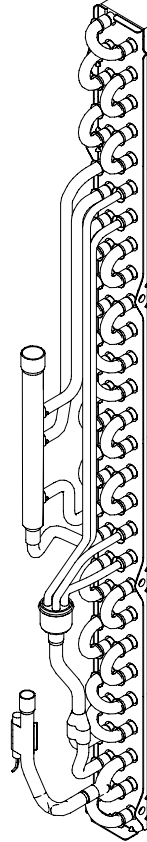
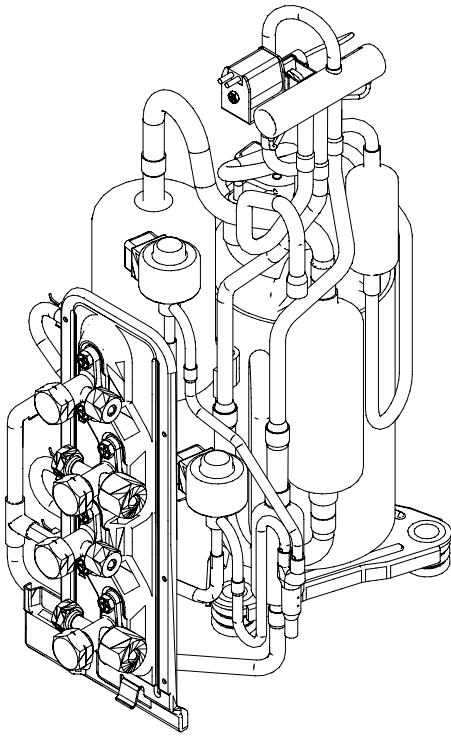
Ref.	Description	Part number
21	PWB completed (Main PCB)	9711321008
22	Heatsink	9322420039
23	Thermistor assy	9900727079
--	Heat ex. thermistor	9900984014
--	Thermistor assy (AB)	9901025013
--	Compressor temp. thermistor	9900985035

OUTDOOR UNIT
AOYG18KBTA2

Hair pin
cushion

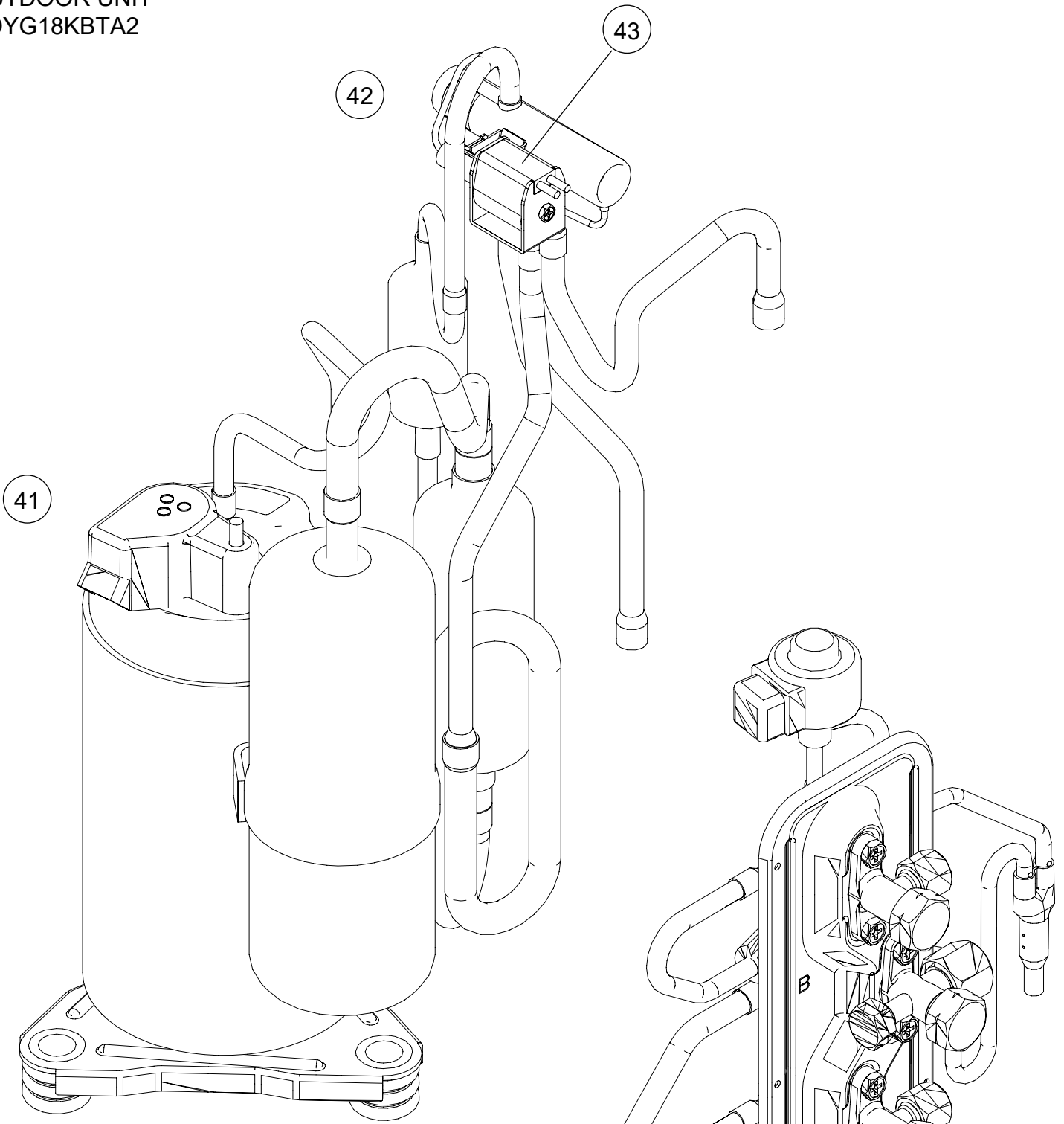


31



Ref.	Description	Part number
31	Condenser total assy	9317089708
-	S-insulator B	9322500007
-	S-insulator F	9322847010
-	S-insulator H	9322501004
-	S-insulator V	9323045002

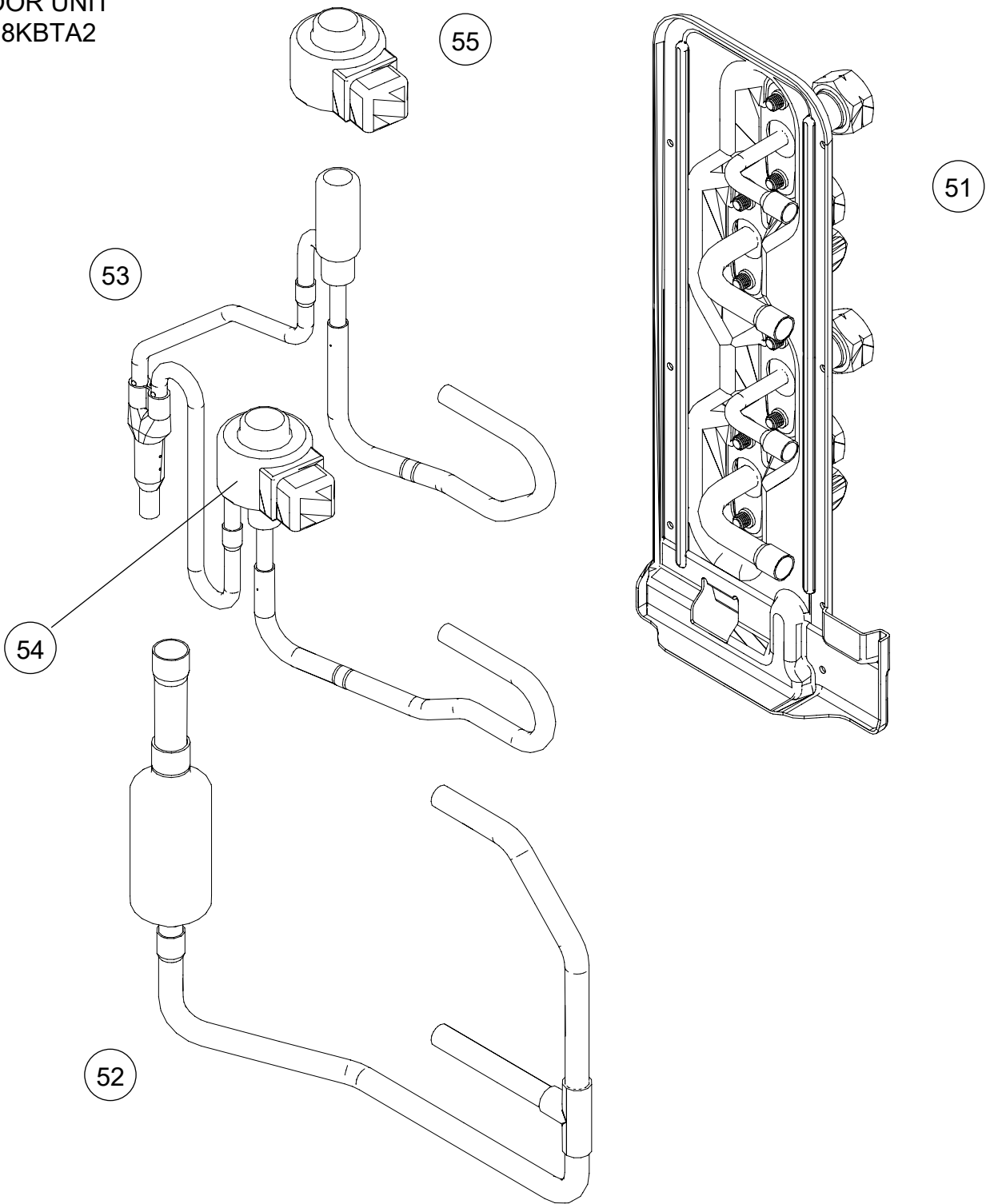
OUTDOOR UNIT
AOYG18KBTA2



Rubber
cushion

Ref.	Description	Part number
41	Compressor assy	9322433046
42	4-way valve assy	9322783011
43	Solenoid	9970206009

OUTDOOR UNIT
AOYG18KBTA2



Ref.	Description	Part number
51	Valve assy	9383070006
52	Valve gas pipe assy	9382236038
53	Pulse motor valve assy	9383071003
54	Expansion valve coil (A)	9970186042
55	Expansion valve coil (B)	9970187032