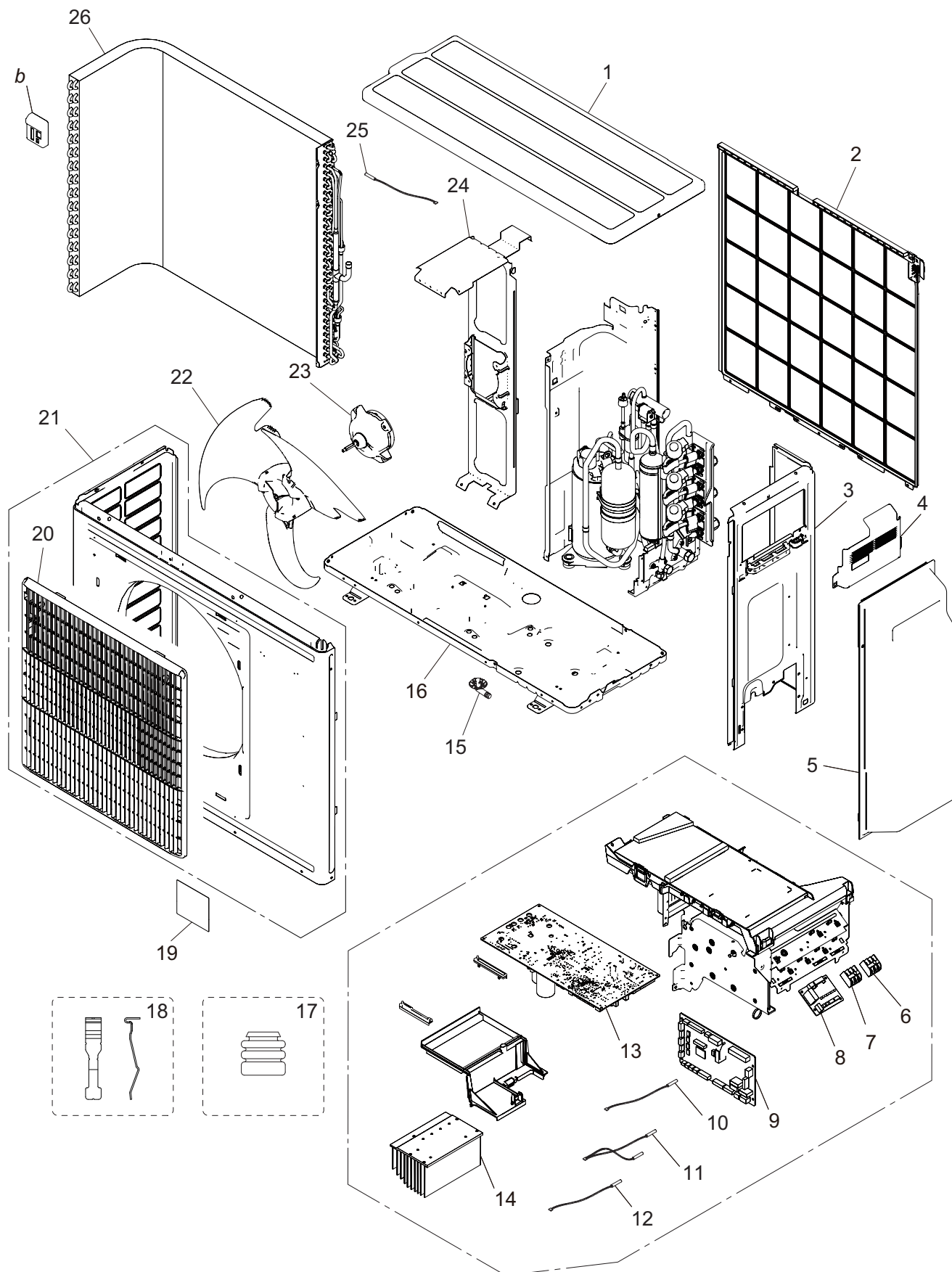


## 4. Outdoor unit parts list

### 4-1. Models: AOYG18KBTA3 and AOYG24KBTA3

#### ■ Exterior parts and Chassis



TECHNICAL DATA  
AND PARTS LIST

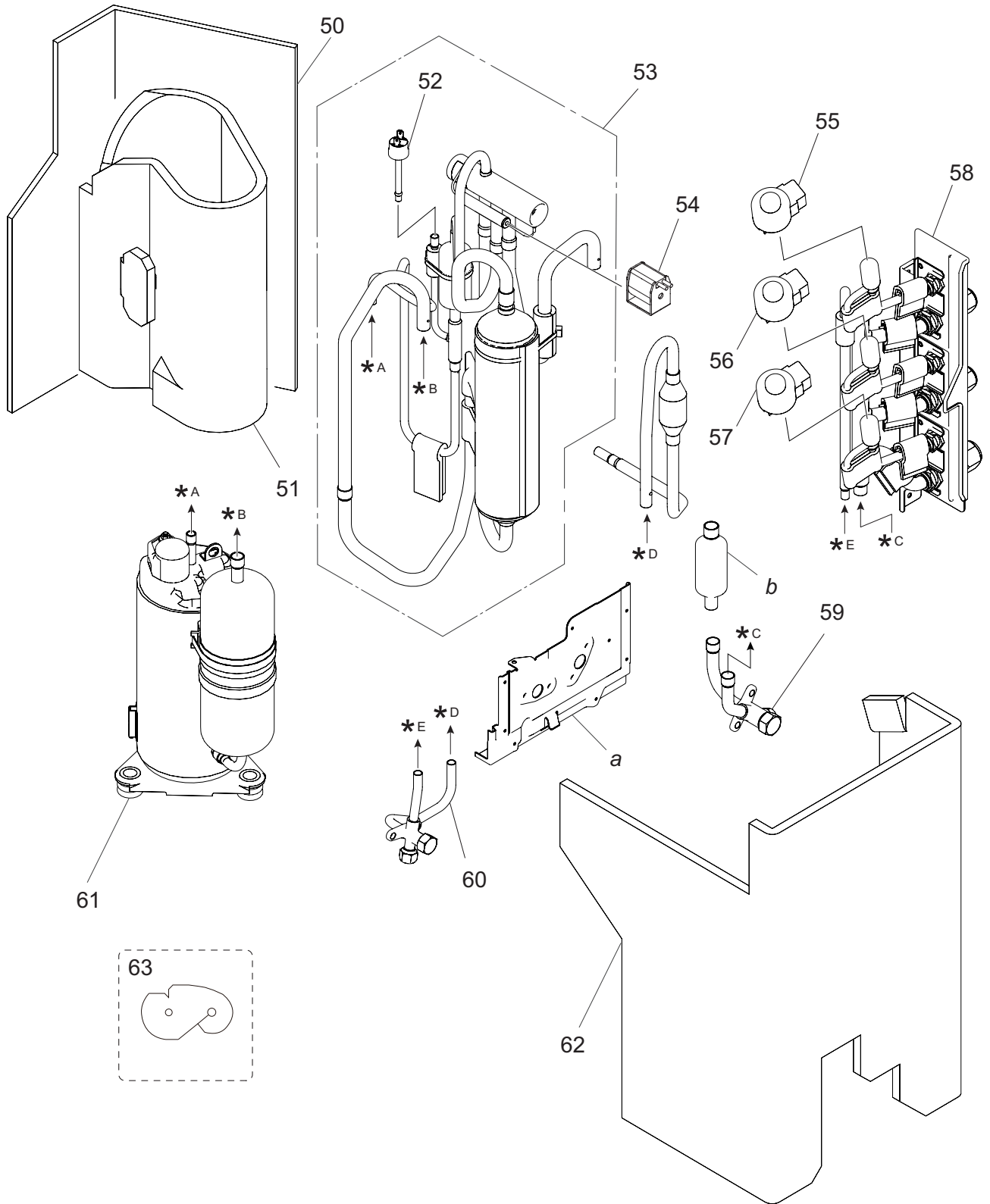
TECHNICAL DATA  
AND PARTS LIST

| Item no. | Part no.   | Part name                                      | Service part |
|----------|------------|--|--------------|
| 1        | 9322556073 | Top panel assy                                 | ◆            |
| 2        | 9322811042 | Protective net                                 | ◆            |
| 3        | 9322552266 | Cabinet right assy                             | ◆            |
| 4        | 9322554031 | Terminal cover assy                            | ◆            |
| 5        | 9322570079 | Switch cover assy                              | ◆            |
| 6        | 9900369064 | Terminal (Power)                               | ◆            |
| 7        | 9900369071 | Terminal (Inner)                               | ◆            |
| 8        | 9711609007 | Indicator PCB                                  | ◆            |
| 9        | 9711674005 | Main PCB (For 18 model)                        | ◆            |
|          | 9711674012 | Main PCB (For 24 model)                        | ◆            |
| 10       | 9900565008 | Thermistor assy (Outdoor temp.) (For 18 model) | ◆            |
|          | 9900565060 | Thermistor assy (Outdoor temp.) (For 24 model) | ◆            |
| 11       | 9900727048 | Thermistor assy (For 18 model)                 | ◆            |
|          | 9900727116 | Thermistor assy (For 24 model)                 | ◆            |
| 12       | 9900985035 | Compressor thermistor (For 18 model)           | ◆            |
|          | 9900985011 | Compressor thermistor (For 24 model)           | ◆            |
| 13       | 9709685778 | Inverter PCB                                   | ◆            |
| 14       | 9322421043 | Heat sink                                      | ◆            |
| 15       | 9322144003 | Drain pipe                                     | ◆            |
| 16       | 9322322043 | Base assy                                      | ◆            |
| 17       | 9322386007 | Cushion rubber                                 | ◆            |
| 18       | 9810028006 | Thermistor stopper                             | ◆            |
| 19       | 9319151007 | Emblem   | ◆            |
| 20       | 9322149008 | Blow grille                                    | ◆            |
| 21       | 9322555267 | Front panel assy                               | ◆            |
| 22       | 9322150004 | Propeller fan                                  | ◆            |
| 23       | 9603601003 | Brushless motor                                | ◆            |
| 24       | 9322553034 | Motor bracket assy                             | ◆            |
| 25       | 9900041014 | Thermistor (Heat exchanger)                    | ◆            |
| 26       | 9317089791 | Condenser total assy                           | ◆            |
| a        | —          | Inverter assy                                  | —            |
| b        | —          | Hair pin cushion                               | —            |

# Compressor

TECHNICAL DATA  
AND PARTS LIST

TECHNICAL DATA  
AND PARTS LIST



| Item no. | Part no.   | Part name   | Service part |
|----------|------------|---|--------------|
| 50       | 9384904003 | S-insulator K   | ◆            |
| 51       | 9384901002 | S-insulator B   | ◆            |
| 52       | 9900186029 | Pressure switch   | ◆            |
| 53       | 9384894007 | 4-way valve assy  | ◆            |
| 54       | 9970194016 | Solenoid  | ◆            |
| 55       | 9970186073 | Expansion valve coil C (L=1160)                                 | ◆            |
| 56       | 9970187049 | Expansion valve coil B (L=1040)                                 | ◆            |
| 57       | 9970186066 | Expansion valve coil A (L=920)                                  | ◆            |
| 58       | 9384866011 | Valve unit sub assy (For 18 model)                              | ◆            |
|          | 9384866004 | Valve unit sub assy (For 24 model)                              | ◆            |
| 59       | 9322477040 | 3-way valve assy (Ø12.70)                                       | ◆            |
| 60       | 9381055029 | 3-way valve assy (Ø9.52)  | ◆            |
| 61       | 9810520005 | Compressor  | ◆            |
| 62       | 9384902009 | S-insulator F   | ◆            |
| 63       | 9384903006 | S-insulator H   | ◆            |
| —        | 9901025020 | Thermistor (Valve temperature) A, B                             | ◆            |
| —        | 9901093012 | Thermistor (Valve temperature) C                                | ◆            |
| —        | 9711839008 | Wire with connector<br>(P131 on Main PCB—P133 on Indicator PCB) | ◆            |
| —        | 9711840004 | Wire with connector<br>(P130 on Main PCB—P132 on Indicator PCB) | ◆            |
| —        | 9711203021 | Wire with connector<br>(P660 on Main PCB—P662 on Inverter PCB)  | ◆            |
| —        | 9711841001 | Wire with connector<br>(P100 on Main PCB—P101 on Inverter PCB)  | ◆            |
| —        | 9710542015 | Wire assy<br>(P20 on Inverter PCB—Pressure switch)              | ◆            |
| <i>a</i> | —          | Valve bracket   | —            |
| <i>b</i> | —          | Muffler   | —            |