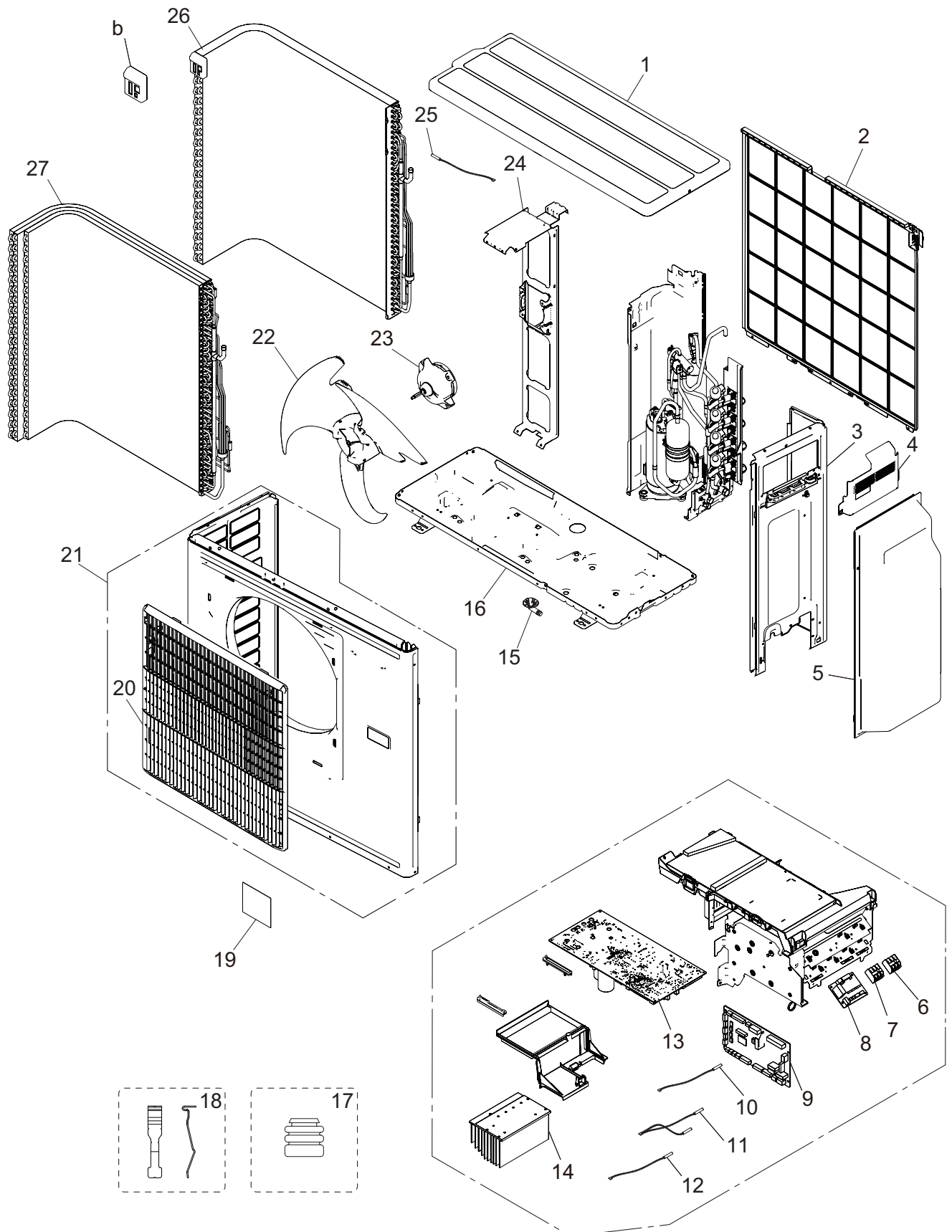


4. Outdoor unit parts list

4-1. Models: AOYG30KBTA4 and AOYG36KBTA5

■ Exterior parts and Chassis



TECHNICAL DATA
AND PARTS LIST

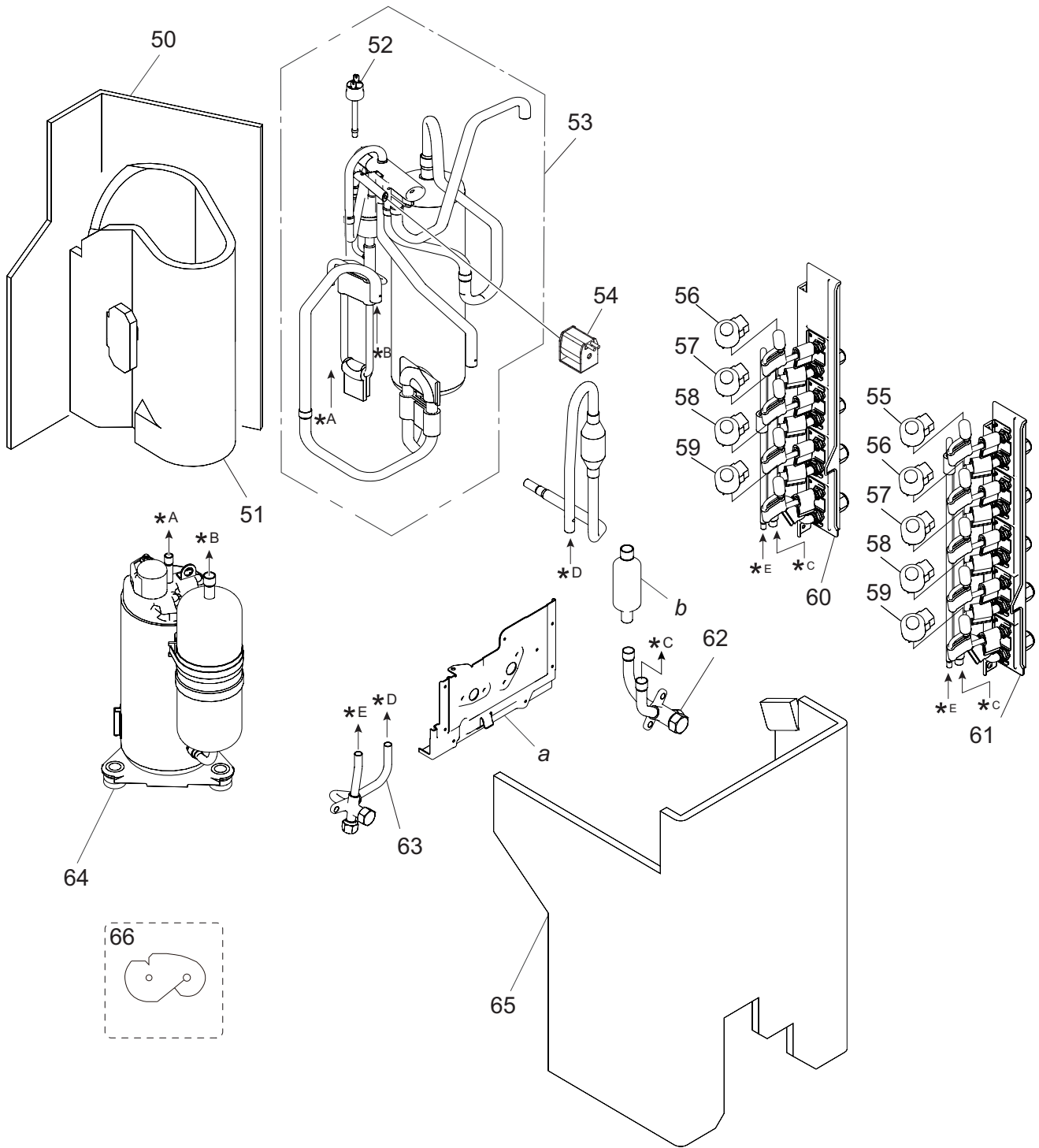
TECHNICAL DATA
AND PARTS LIST

Item no.	Part no.	Part name	Service part
1	9322556073	Top panel assy	◆
2	9322811066	Protective net	◆
3	9322552280	Cabinet right assy (For 30 model)	◆
	9322552273	Cabinet right assy (For 36 model)	◆
4	9322554031	Terminal cover assy	◆
5	9322570086	Switch cover assy	◆
6	9900369064	Terminal (Power)	◆
7	9900369071	Terminal (Inner)	◆
8	9711609007	Indicator PCB (For 30 model)	◆
	9711609014	Indicator PCB (For 36 model)	◆
9	9711674029	Main PCB (For 30 model)	◆
	9711674036	Main PCB (For 36 model)	◆
10	9900565008	Thermistor assy (Outdoor temp.)	◆
11	9900727185	Thermistor assy	◆
12	9900985028	Compressor thermistor	◆
13	9709685785	Inverter PCB	◆
14	9322421043	Heat sink	◆
15	9322144003	Drain pipe	◆
16	9322322043	Base assy	◆
17	9322386007	Cushion rubber	◆
18	9810028006	Thermistor stopper	◆
19	9319151007	Emblem	◆
20	9322149008	Blow grille	◆
21	9322555274	Front panel assy	◆
22	9322150004	Propeller fan	◆
23	9603601003	Brushless motor	◆
24	9322553171	Motor bracket assy (For 30 model)	◆
	9322553188	Motor bracket assy (For 36 model)	◆
25	9900984045	Thermistor (Heat exchanger)	◆
26	9317089807	Condenser total assy (For 30 model)	◆
27	9317089814	Condenser total assy (For 36 model)	◆
a	—	Inverter assy	—
b	—	Hair pin cushion	—

Compressor

TECHNICAL DATA
AND PARTS LIST

TECHNICAL DATA
AND PARTS LIST



Item no.	Part no.	Part name	Service part
50	9384904010	S-insulator K	◆
51	9384901019	S-insulator B	◆
52	9900186029	Pressure switch	◆
53	9384970008	4-way valve assy	◆
54	9970194016	Solenoid	◆
55	9970186080	Expansion valve coil E (L=1400) (For 36 model)	◆
56	9970187056	Expansion valve coil D (L=1280)	◆
57	9970186073	Expansion valve coil C (L=1160)	◆
58	9970187049	Expansion valve coil B (L=1040)	◆
59	9970186066	Expansion valve coil A (L=920)	◆
60	9384866028	Valve unit sub assy (For 30 model)	◆
61	9384881038	Valve unit sub assy (For 36 model)	◆
62	9322477040	3-way valve assy (Ø12.70)	◆
63	9381055029	3-way valve assy (Ø9.52)	◆
64	9810679000	Compressor	◆
65	9384902016	S-insulator F	◆
66	9384903006	S-insulator H	◆
—	9901025020	Thermistor (Valve temperature) A, B	◆
—	9901093029	Thermistor (Valve temperature) C, D	◆
—	9901094019	Thermistor (Valve temperature) E (For 36 model)	◆
—	9711839008	Wire with connector (P131 on Main PCB—P133 on Indicator PCB)	◆
—	9711840004	Wire with connector (P130 on Main PCB—P132 on Indicator PCB)	◆
—	9711203021	Wire with connector (P660 on Main PCB—P662 on Inverter PCB)	◆
—	9711841001	Wire with connector (P100 on Main PCB—P101 on Inverter PCB)	◆
—	9710542022	Wire assy	◆
<i>a</i>	—	Valve bracket	—
<i>b</i>	—	Muffler	—