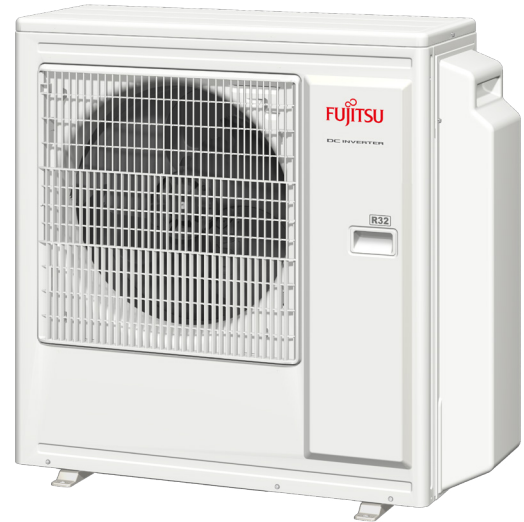


AOYG36KBT A5

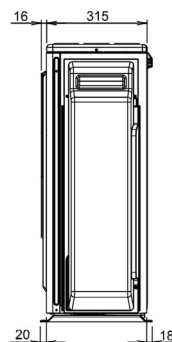
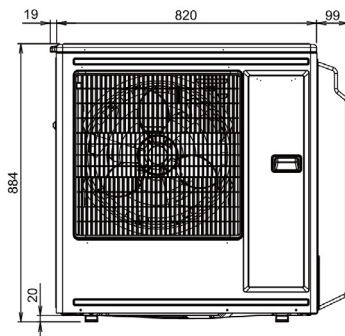
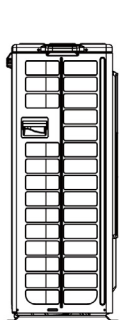
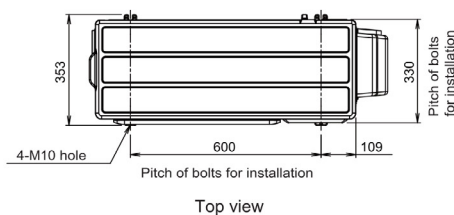
Please visit our webstore for full product and technical documentation 

Nominal Cooling Capacity (kW)	9.5
Nominal Heating Capacity (kW)	10.6
Maximum Connectable Indoor Units	5
EER	3.8
COP (Nominal Heating)	4.5
Height (mm)	844
Width (mm)	820
Depth (mm)	315
Weight (kg)	59
Sound Pressure Level - Cooling - High (dB(A))	52
Sound Pressure Level - Heating - High (dB(A))	55
Refrigerant Type (Global Warming Potential)	R32 (675)
Liquid Pipe Size	Depending on Indoor
Gas Pipe Size	Depending on Indoor
Max Pipe Length (m)	75 Total 25 Each Unit
Max Height Difference (m)	15
Refrigerant Charge (kg)	2.2
Refrigerant CO2eq-T	1.688
Unit Power Supply	1Ph-230V-50Hz
Cooling Mode Minimum Ambient (°C)	-10
Cooling Mode Maximum Ambient (°C)	46
Heating Mode Minimum Ambient (°C)	-15
Heating Mode Maximum Ambient (°C)	24



Document Downloads

- [Airflow](#)
- [Capacity Correction](#)
- [Capacity Tables](#)
- [Charging Details](#)
- [Controls & Accessories](#)
- [Design & Technical Manual](#)
- [Dimensional Drawing](#)
- [Electrical Characteristics](#)
- [Function Settings](#)
- [Indoor Unit Combinations](#)
- [Installation Manual](#)
- [Noise Curve](#)
- [Product Image](#)
- [Refrigerant Circuit](#)
- [Spare Parts List All Pages](#)
- [Specifications](#)
- [Wiring Diagram](#)



Units: mm

*Specifications and design are subject to change without notice for further improvement.
 *Actual products' colors may be different from the colors shown in this printed material.