

13. Function settings (30-54 models)

Perform appropriate function setting locally according to the installation environment.

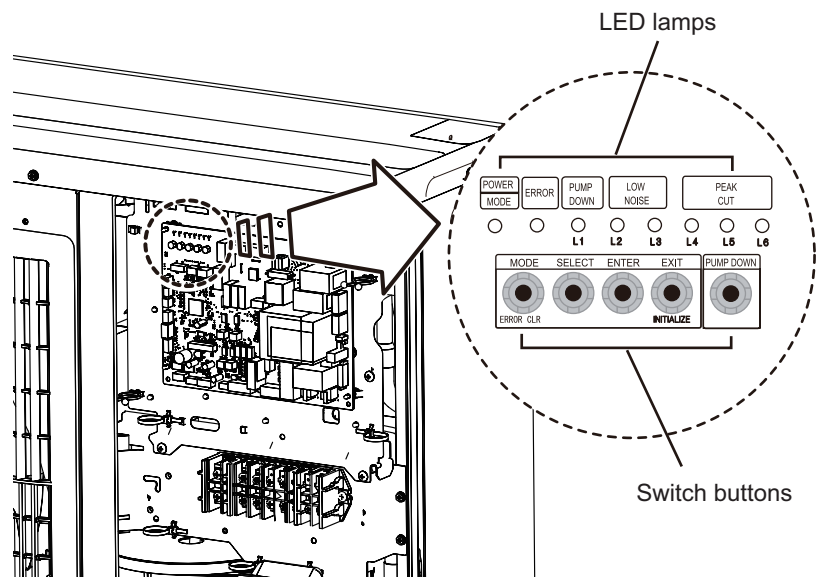
NOTE: Incorrect settings can cause a product malfunction.

⚠ CAUTION

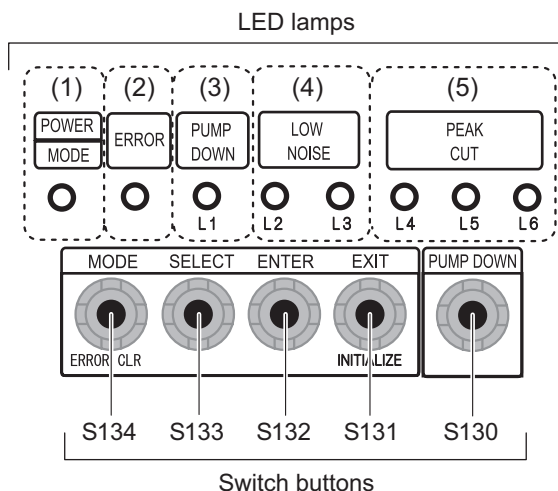
- Before setting up the switch buttons, discharge the static electricity from your body.
- Never touch the terminals or the patterns on the parts that are mounted on the PCB.

13-1. Control PCB and switch buttons location

Control PCB of the outdoor unit is located as shown in the following figure.



■ Switch buttons and the functions



| LED lamp | | | Function or operation method |
|----------|--------------------------------|--------|--|
| (1) | POWER/MODE | Green | Lights on while power on. Local setting in outdoor unit or error code is displayed with blink. |
| (2) | ERROR | Red | Blinks during error operation. |
| (3) | PUMP DOWN (L1) | Orange | Lights on during pump down operation. |
| (4) | LOW NOISE MODE (L2 and L3) | Orange | Lights on during "Low noise mode" when local setting is activated. (Lighting pattern of L2 and L3 indicates low noise level.) |
| (5) | PEAK CUT MODE (L4, L5, and L6) | Orange | Lights on during "Peak cut mode" when local setting is activated. (Lighting pattern of L4, L5, and L6 indicates peak cut level.) |

| Switch button | | Function or operation method |
|---------------|-----------|---|
| S134 | MODE | Switches between "Local setting" and "Error code display". |
| S133 | SELECT | Switches between the individual "Local settings" and the "Error code displays". |
| S132 | ENTER | Switches between the individual "Local settings" and the "Error code displays". |
| S131 | EXIT | Returns to "Operation status display". |
| S130 | PUMP DOWN | Starts the pump down operation. |

13-2. Local setting procedure

NOTE: Before performing the function setting, be sure to stop the operation of the air conditioner.

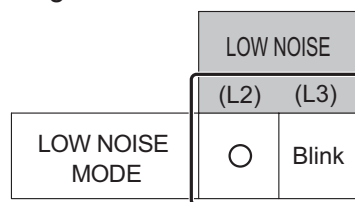
Low noise mode

1. Press the MODE switch button (S134) for 3 seconds or more to switch to "Local setting mode".
2. After confirming the LED lamp of POWER/MODE blinks 9 times, press the ENTER switch button (S132).

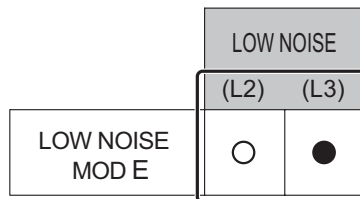
| POWER MODE | ERROR | PUMP DOWN (L1) | LOW NOISE (L2) (L3) | | PEAK CUT (L4) (L5) (L6) | | |
|---------------------|-------|----------------------|------------------------|---|----------------------------|---|---|
| Blinks (9 times) | ○ | ○ | ○ | ○ | ○ | ○ | ○ |

Sign "○": Lights off

3. Press the SELECT switch button (S133), and adjust the LED lamp as shown below. Then the LED lamp indicates the current setting.

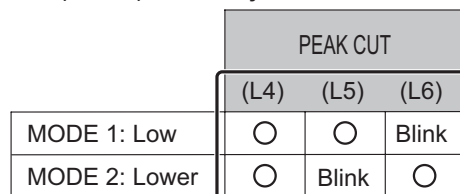


4. Press the ENTER switch button (S132).



Sign "●": Lights on

5. Press the SELECT switch button (S133), and adjust the LED lamps as shown below.



6. Press the ENTER switch button (S132) and fix it.



7. To return to "Operating status display (Normal operation)", press the EXIT switch button (S131).

In case of missing how many times you pressed the SELECT and ENTER switch buttons:

1. To return to "Operation status display (Normal operation)", press the EXIT switch button once.
2. Restart from the beginning of setting procedure.

NOTE: In case of missing how many times you pressed the SELECT and ENTER switch buttons, you must redo the setting procedure. Return to "Operation status display (Normal operation)" by pressing the EXIT switch button once, and restart from the beginning of the setting procedure.

■ Peak cut mode

1. Press the MODE switch button (S134) for 3 seconds or more to switch to “Local setting mode”.
2. After confirming the LED lamp of POWER/MODE blinks 9 times, press the ENTER switch button (S132).

| POWER MODE | ERROR | PUMP DOWN (L1) | LOW NOISE | | PEAK CUT | | |
|---------------------|-------|----------------------|-----------|------|----------|------|------|
| | | | (L2) | (L3) | (L4) | (L5) | (L6) |
| Blinks (9 times) | ○ | ○ | ○ | ○ | ○ | ○ | ○ |

Sign “○”: Lights off

3. Press the SELECT switch button (S133), and adjust the LED lamp as shown below. Then the LED lamp indicates the current setting.

| PEAK CUT MODE | LOW NOISE | |
|------------------|-----------|------|
| | (L2) | (L3) |
| | Blink | ○ |

4. Press the ENTER switch button (S132).

| PEAK CUT MODE | LOW NOISE | |
|------------------|-----------|------|
| | (L2) | (L3) |
| | ● | ○ |

Sign “●”: Lights on

5. Press the SELECT switch button (S133), and adjust the LED lamps as shown below.

| | PEAK CUT | | |
|----------------------------|----------|-------|-------|
| | (L4) | (L5) | (L6) |
| 100 % of rated input ratio | ○ | ○ | Blink |
| 75 % of rated input ratio | ○ | Blink | ○ |
| 50 % of rated input ratio | ○ | Blink | Blink |
| 0 % of rated input ratio | Blink | ○ | ○ |

6. Press the ENTER switch button (S132) and fix it.

| | PEAK CUT | | |
|----------------------------|----------|------|------|
| | (L4) | (L5) | (L6) |
| 100 % of rated input ratio | ○ | ○ | ● |
| 75 % of rated input ratio | ○ | ● | ○ |
| 50 % of rated input ratio | ○ | ● | ● |
| 0 % of rated input ratio | ● | ○ | ○ |

7. To return to “Operating status display (Normal operation)”, press the EXIT switch button (S131).

NOTE: When pressed number is lost during setting, you must redo the setting procedure. Return to “Operation status display (Normal operation)” by pressing the EXIT switch button once, and restart from the beginning of the setting procedure.