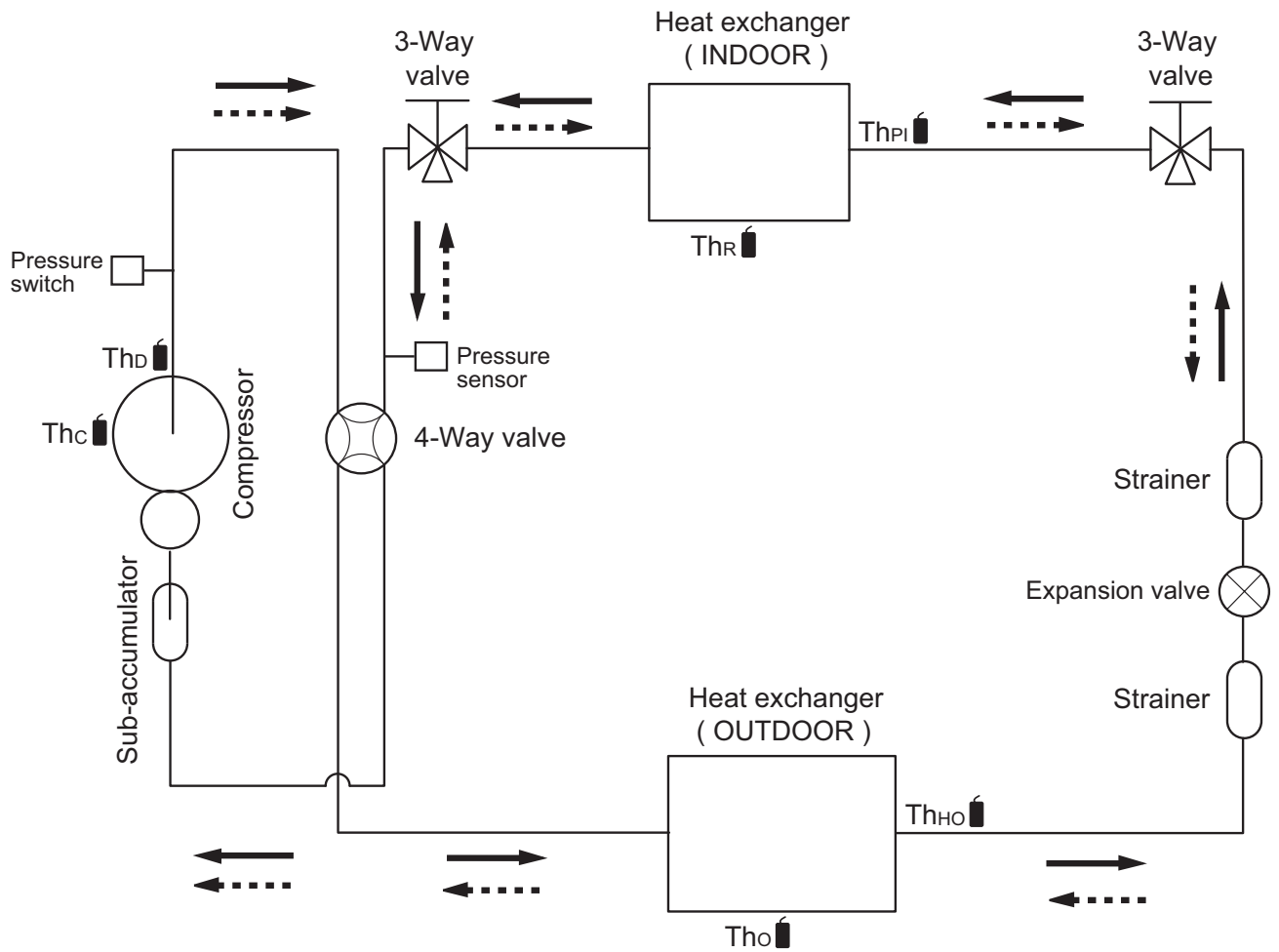


## 4. Refrigerant circuit

### 4-1. Models: AOYG36KRTA, AOYG45KRTA, and AOYG54KRTA

OUTDOOR UNIT  
AOYG36-54KRTA

OUTDOOR UNIT  
AOYG36-54KRTA



—→ : Cooling  
 - - - -> : Heating

- Th<sub>c</sub> : Thermistor (Compressor temperature)
- Th<sub>D</sub> : Thermistor (Discharge temperature)
- Th<sub>O</sub> : Thermistor (Outdoor temperature)
- Th<sub>HO</sub> : Thermistor (Heat Exchanger Out temperature)
- Th<sub>R</sub> : Thermistor (Room temperature)
- Th<sub>PI</sub> : Thermistor (Pipe temperature)