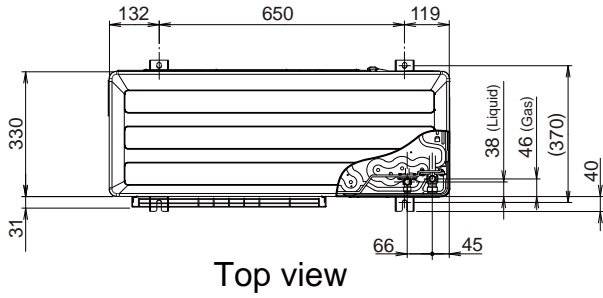


## 2. DIMENSIONS

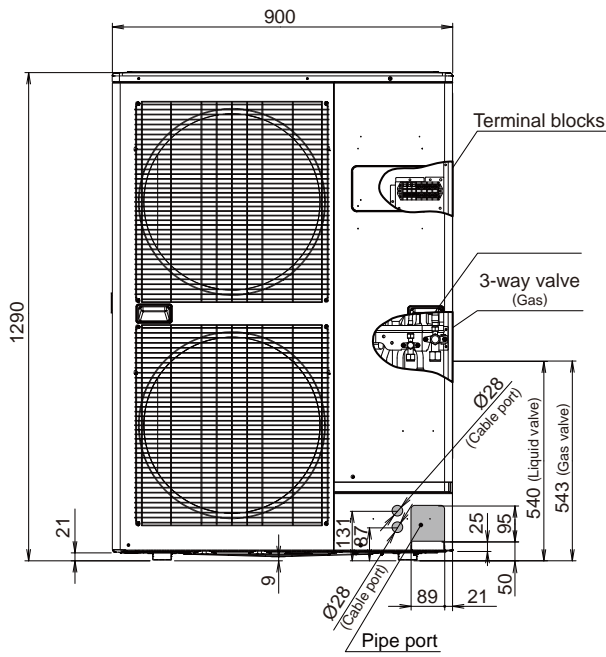
### 2-1. DIMENSIONS

■ MODEL: AO\*G36LA, AO\*G45LA, AO\*G54LA

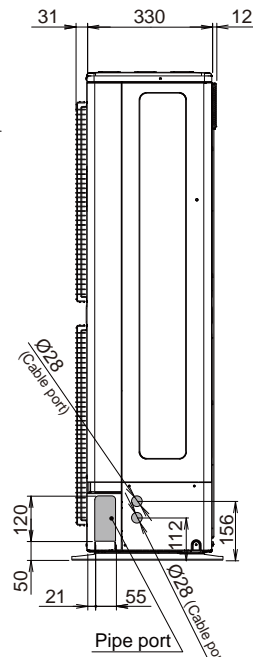
(Unit : mm)



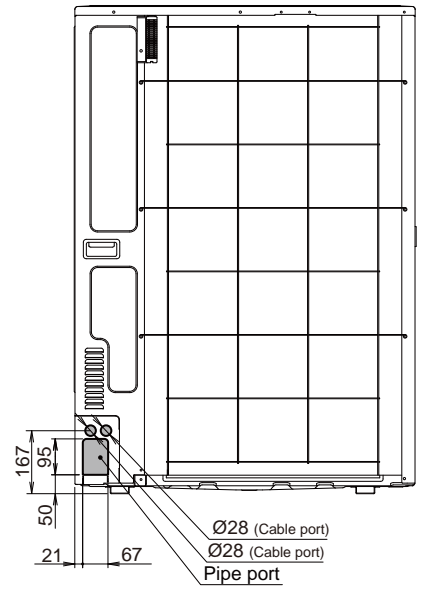
Top view



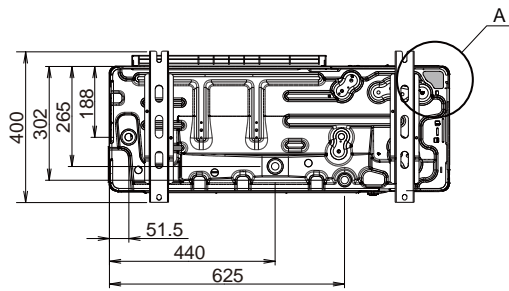
Front view



Side view

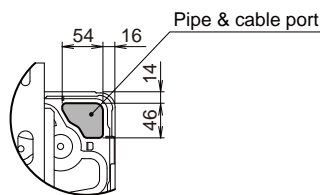


Rear view



Bottom view

Detail A



OUTDOOR UNIT

OUTDOOR UNIT

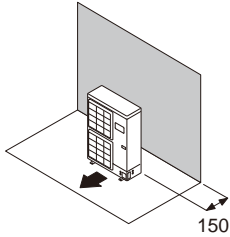
## 2-2. INSTALLATION PLACE

### 2-2-1. SINGLE OUTDOOR UNIT INSTALLATION

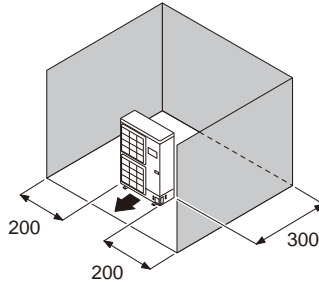
#### ■ WHEN THE UPWARD AREA IS OPEN

(Unit : mm)

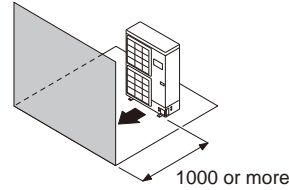
Obstacles at rear only



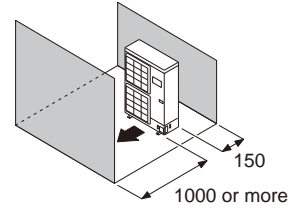
Obstacles at rear and sides only



Obstacles at front only

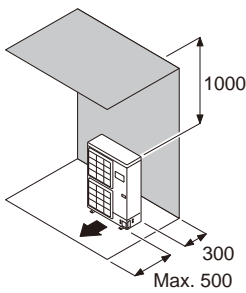


Obstacles at front and rear only

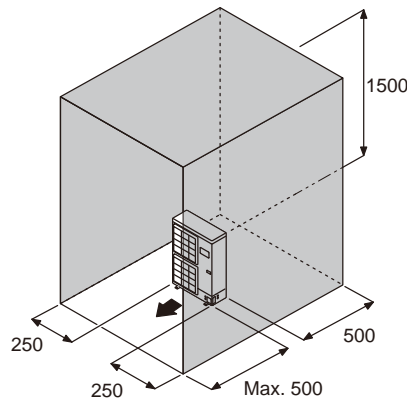


#### ■ WHEN AN OBSTRUCTION IS PRESENT ALSO IN THE UPWARD AREA

Obstacles at rear and above only



Obstacles at rear, sides, and above only

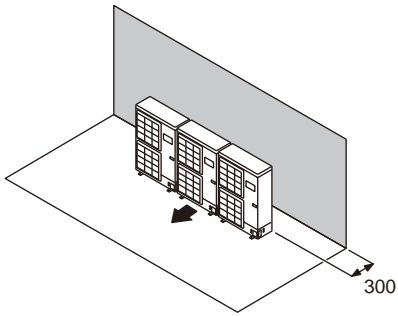


## 2-2-2. MULTIPLE OUTDOOR UNIT INSTALLATION

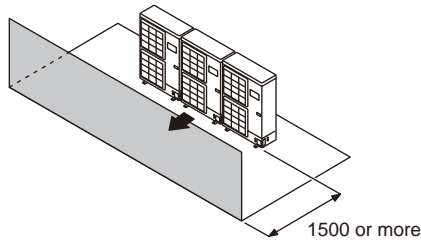
### ■ WHEN THE UPWARD AREA IS OPEN

(Unit : mm)

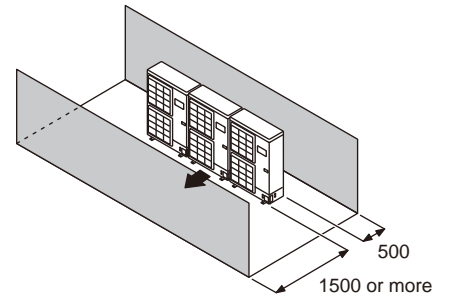
Obstacles at rear only



Obstacles at front only



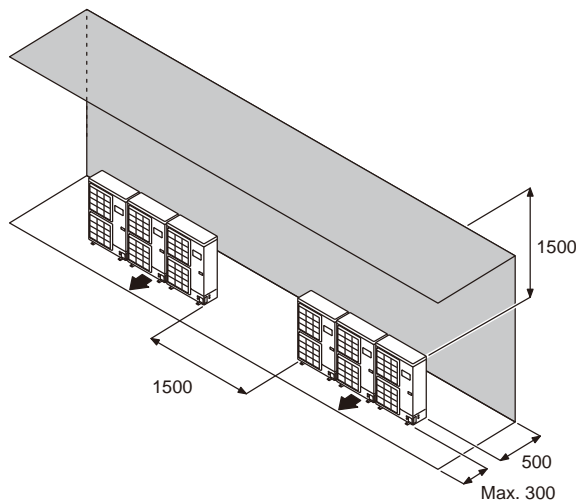
Obstacles at front and rear only



### ■ WHEN AN OBSTRUCTION IS PRESENT ALSO IN THE UPWARD AREA

(Unit : mm)

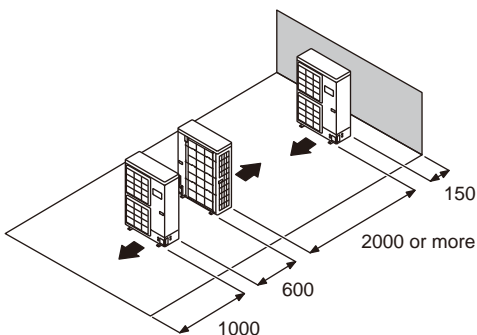
Obstacles at rear and above only



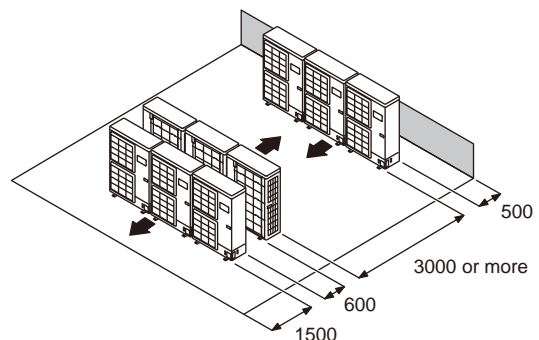
## 2-2-3. OUTDOOR UNIT INSTALLATION IN MULTI ROW

(Unit : mm)

Single parallel unit arrangement



Multiple parallel unit arrangement



OUTDOOR UNIT

OUTDOOR UNIT