

5. EXTERNAL INPUT & OUTPUT

5-1. OUTDOOR UNIT

Input	Output	Connector	Remarks
LOW NOISE MODE	—	CN19	See external input/output settings for details.
PEAK CUT MODE	—	CN19	
—	ERROR STATUS	CN18	
—	COMPRESSOR STATUS	CN18	

5-1-1. EXTERNAL INPUT

ON/OFF of the "Low noise mode" and "Peak cut mode" functions can be specified by external signal.

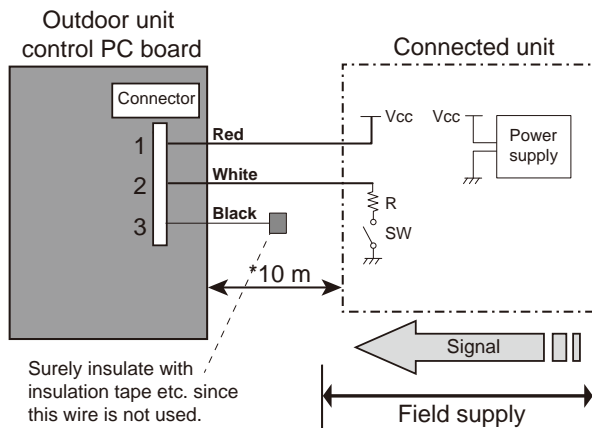
■ LOW NOISE MODE

The following reduces the operating sound of the outdoor unit from the normal sound. The air conditioner is set to the "Low noise mode" by applying the contact input of a commercial timer or ON/OFF switch to a connector on the outdoor control PC board.

* Performance may drop depending on the outside air temperature condition, etc.

● Circuit diagram example

Use the following parts and construct a circuit like that shown above.

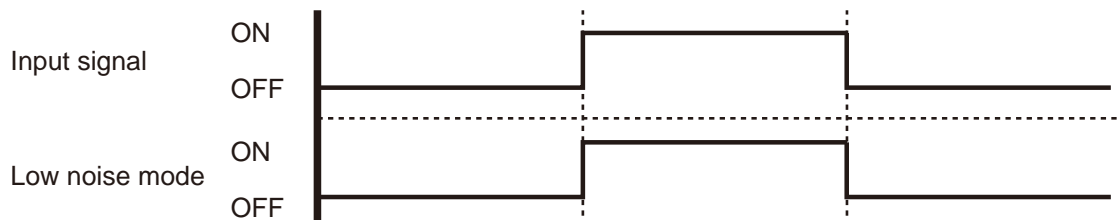


- 1) Power supply
 - Voltage (Chart sign=Vcc) : DC 5V to 24V
 - The current capacity : About 100mA
 - 2) Switch (Chart sign=SW)
 - Toggle switch or Rocker switch, etc : Switch which maintains the states.
 - Prepare switches which are enough capable for DC 10mA current or more
 - 3) Resistance (Chart sign=R)
 - Adjust the resistance for current to about DC 10mA
- (Example)
- In case of Vcc=DC 5V : Rated resistance value 470Ω 1/4W
 - In case of Vcc=DC 12V : Rated resistance value 1kΩ 1/4W
 - In case of Vcc=DC 24V : Rated resistance value 2.2kΩ 1/4W

* Make the distance from the PC board to the connected unit within 10 m.

Input signal...ON : Low noise mode / OFF : Normal operation

* Set the "Low noise mode" type by "Push switch" on the outdoor control PC board.



● Parts (Optional)

Parts name	Model name
External connect kit	UTY-XWZXZ2

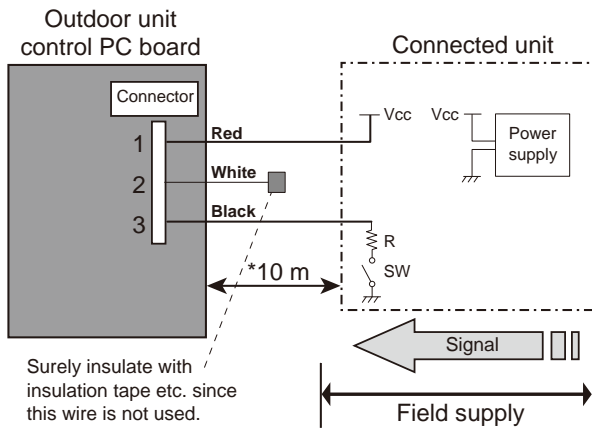
Wire (External input) : Red / White / Black



■ PEAK CUT MODE

- Operation that suppressed the current value can be performed by means of the following on-site work. The air conditioner is set to the Peak cut mode by applying the contact input of a commercial ON/OFF switch to a connector on the outdoor control PC board.

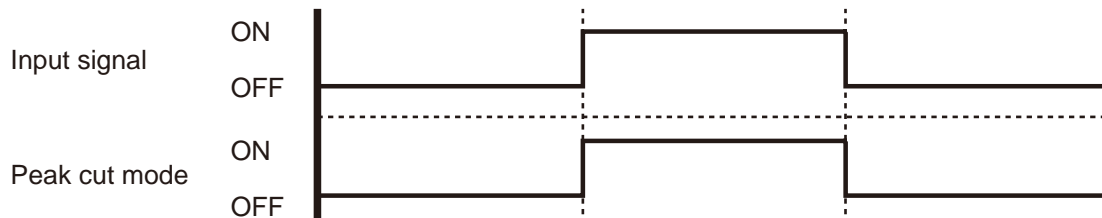
● Circuit diagram example



- 1) Power supply
 - Voltage (Chart sign=Vcc) : DC 5V to 24V
 - The current capacity : About 100mA
 - 2) Switch (Chart sign=SW)
 - Toggle switch or Rocker switch, etc : Switch which maintains the states.
 - Prepare switches which are enough capable for DC 10mA current or more
 - 3) Resistance (Chart sign=R)
 - Adjust the resistance for current to about DC 10mA
- (Example)
- In case of Vcc=DC 5V : Rated resistance value 470Ω 1/4W
 - In case of Vcc=DC 12V : Rated resistance value 1kΩ 1/4W
 - In case of Vcc=DC 24V : Rated resistance value 2.2kΩ 1/4W

* Make the distance from the PC board to the connected unit within 10 m.

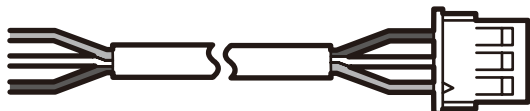
- Use the following parts and construct a circuit like that shown above.
- Input signal...ON: Peak cut mode/OFF: Normal operation
- *Set the "Peak cut mode" type by "Push switch" on the outdoor control PC board.



● Parts (Optional)

Parts name	Model name
External connect kit	UTY-XWZXZ2

Wire (External input) : Red / White / Black

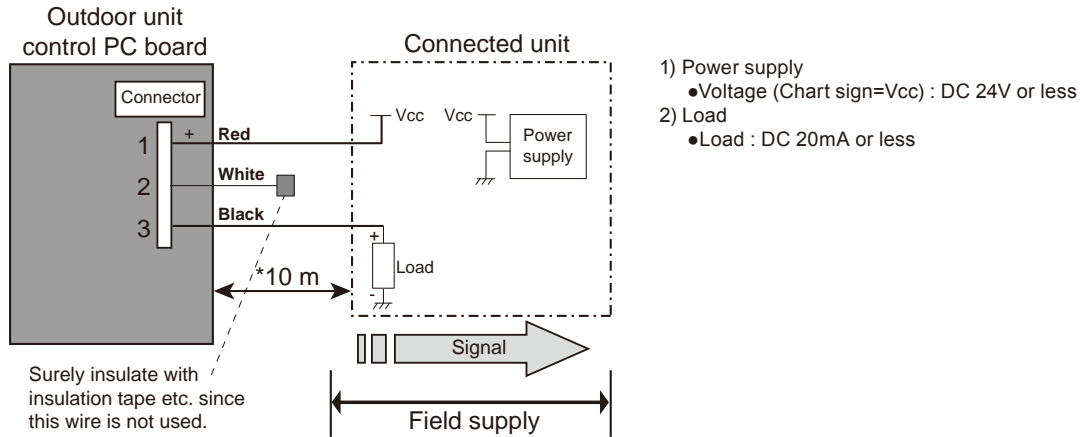


5-1-2. EXTERNAL OUTPUT

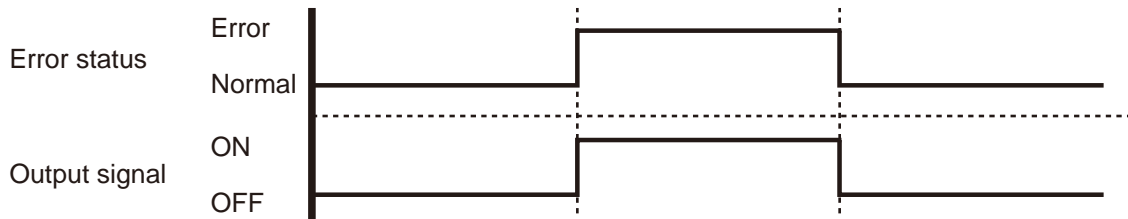
■ ERROR STATUS OUTPUT

- An air conditioner error status signal can be output by means of the following on-site work.

● Circuit diagram example



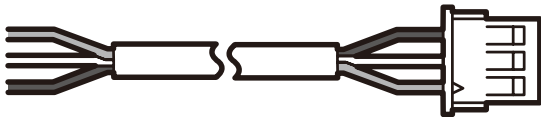
* Make the distance from the PC board to the connected unit within 10 m.



● Parts (Optional)

Parts name	Model name
External connect kit	UTY-XWZXZ2

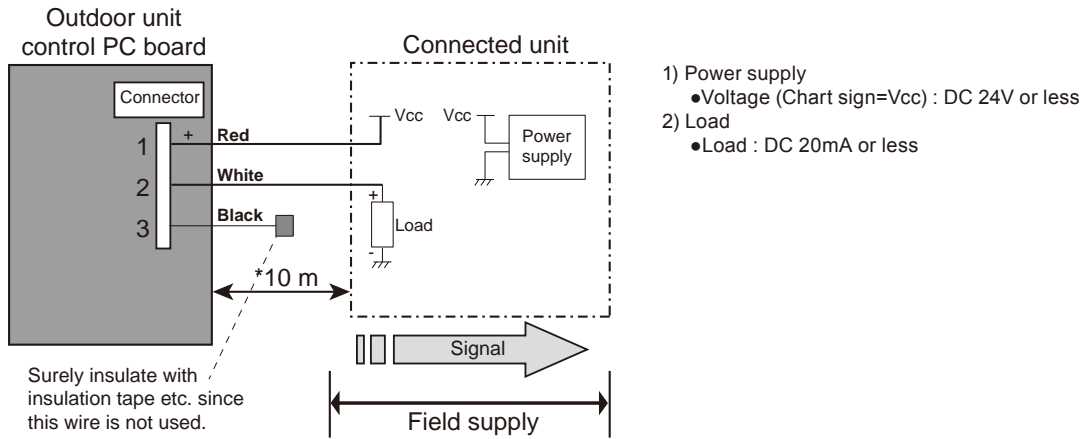
Wire (External input) : Red / White / Black



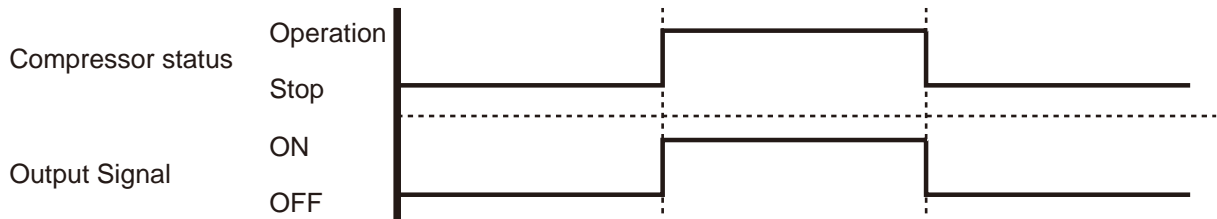
■ COMPRESSOR STATUS OUTPUT

- Compressor operation status signal can be output by means of the following on-site work.

● Circuit diagram example



* Make the distance from the PC board to the connected unit within 10 m.



● Parts (Optional)

Parts name	Model name
External connect kit	UTY-XWZXZ2

Wire (External input) : Red / White / Black

