

AOYG45KRTA

Please visit our [webstore](#) for full product and technical documentation 

Nominal Cooling Capacity	(kW)	12.1
Nominal Heating Capacity	(kW)	13.5
Height	(mm)	998
Width	(mm)	940
Depth	(mm)	320
Weight	(kg)	67
Airflow Rate - Cooling - High	(m ³ /h)	4450
Airflow Rate - Heating - High	(m ³ /h)	4450
Sound Pressure Level - Cooling - High	(dB(A))	57
Sound Pressure Level - Heating - High	(dB(A))	57
Sound Power Level - Cooling - High	(dB(A))	71
Sound Power Level - Heating - High	(dB(A))	71
Refrigerant Type (Global Warming Potential)		R32 (675)
Liquid Pipe Size		3/8"
Gas Pipe Size		5/8"
Min - Max Pipe Length	(m)	3 - 50
Max Height Difference	(m)	30
Refrigerant Charge (kg)	(kg)	2.7
Refrigerant CO ₂ eq-T		1.823
Precharged For	(m)	30
Additional Charge (g/m)	(g/m)	40
Unit Power Supply		3Ph-400V-50Hz
Suggested Fuse Size	(A)	16
Cooling Mode Minimum Ambient	(°C)	-15
Cooling Mode Maximum Ambient	(°C)	46
Heating Mode Minimum Ambient	(°C)	-15
Heating Mode Maximum Ambient	(°C)	24



Document Downloads

[Accessories](#)

[Airflow](#)

[Capacity Correction](#)

[Charging Details](#)

[Controls & Accessories](#)

[Dimensional Drawing](#)

[Electrical Characteristics](#)

[Function Settings](#)

[Inputs & Outputs](#)

[Installation Manual](#)

[Installation Space](#)

[Noise Curve](#)

[Product Image](#)

[Refrigerant Circuit](#)

[Spare Parts List All Pages](#)

[Specifications](#)

[Wiring Diagram](#)

Related Items

[AUXG45KRLB](#)

12.1kW Circular Flow Cassette Indoor Unit - R32

[ARXG45KHTAP](#)

12.1kW Medium - Hi Static Ducted Indoor Unit - R32

[ARXG45KMLA](#)

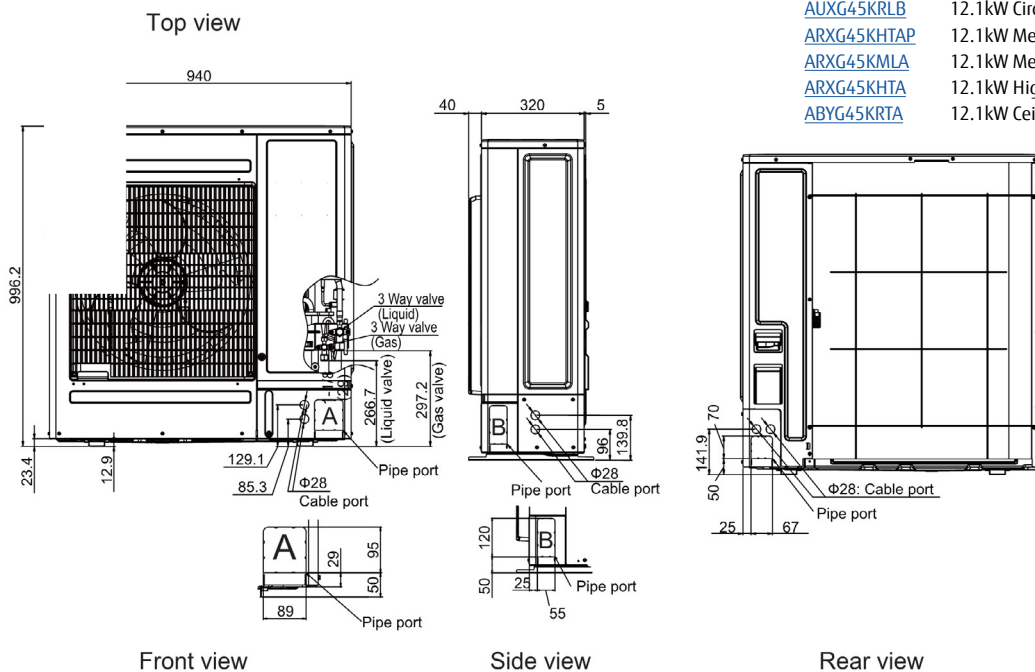
12.1kW Medium Static Ducted Indoor Unit - R32

[ARXG45KHATA](#)

12.1kW High Static Ducted Indoor Unit - R32

[ABYG45KRTA](#)

12.1kW Ceiling Suspended Indoor Unit - R32



*Specifications and design are subject to change without notice for further improvement.

*Actual products' colors may be different from the colors shown in this printed material.