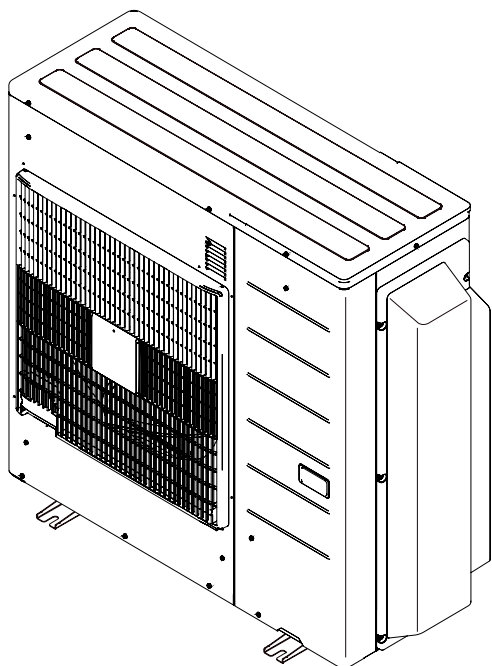


AIR CONDITIONER



INSTALLATION MANUAL

OUTDOOR UNIT

For authorized service personnel only.

English

INSTALLATIONSANLEITUNG

AUSSENGERÄT

Nur für autorisiertes Fachpersonal.

Deutsch

MANUEL D'INSTALLATION

UNITÉ EXTÉRIEUR

Pour le personnel de service agréé uniquement.

Français

MANUAL DE INSTALACIÓN

UNIDAD EXTERIOR

Únicamente para personal de servicio autorizado.

Español

MANUALE D'INSTALLAZIONE

UNITÀ ESTERNA

A uso esclusivo del personale tecnico autorizzato.

Italiano

ΕΓΧΕΙΡΙΔΙΟ ΕΓΚΑΤΑΣΤΑΣΗΣ

ΕΞΩΤΕΡΙΚΗ ΜΟΝΑΔΑ

Μόνο για εξουσιοδοτημένο τεχνικό προσωπικό.

Ελληνικά

MANUAL DE INSTALAÇÃO

UNIDADE EXTERIOR

Somente para o pessoal do serviço técnico autorizado.

Português

РУКОВОДСТВО ПО УСТАНОВКЕ

ВНЕШНИЙ МОДУЛЬ

Только для авторизованного обслуживающего персонала.

Русский

KURULUM KILAVUZU

DIŞ ÜNİTE

Yalnızca yetkili servis personeli için.

Türkçe

[Original instructions]



PART No. 9374995530-05

INSTALLATION MANUAL

PART No. 9374995530-05
Outdoor Unit

Contents

1. SAFETY PRECAUTIONS	1
2. ABOUT THIS PRODUCT	2
2.1. Precautions for using R410A refrigerant	2
2.2. Special tools for R410A refrigerant	2
2.3. Accessories	2
2.4. Optional parts	2
2.5. System configuration	2
3. GENERAL SPECIFICATIONS	3
3.1. Power	3
3.2. Selecting circuit breaker and wiring	4
3.3. Selecting the pipe material	4
3.4. Heat insulation around connection pipes requirements	4
3.5. Operating range	4
3.6. Additional charging	4
4. INSTALLATION WORK	4
4.1. Selecting an installation location	4
4.2. Installation dimensions	5
4.3. Transporting the unit	6
4.4. Drain installation	6
4.5. Secure the unit	6
5. PIPE INSTALLATION	7
5.1. Pipe connection	7
5.2. Sealing test	8
5.3. Vacuum process	9
6. ELECTRICAL WIRING	9
6.1. Notes for electrical wiring	9
6.2. Connection diagrams	10
6.3. Wiring method	10
6.4. Connecting the Central remote controller (Option)	12
7. HOW TO OPERATE DISPLAY UNIT	12
7.1. Various setting methods	12
7.2. Outdoor unit low noise operation function (option)	13
7.3. Changing the current limit function	13
8. CHECK RUN	13
8.1. Things to confirm before starting the check run	13
8.2. Restrictions applicable when performing the check run	13
8.3. Operating procedure for check run	14
8.4. Check run judgment failure display	16
8.5. Re-display check run results	16
8.6. Automatic wiring correction memory reset	16
9. TEST RUN	16
9.1. TEST RUN method	16
10. ERROR CODE	17
10.1. In the event of an error	17
10.2. Error location display	17
10.3. Error code display	17
11. PUMP DOWN	17
12. CUSTOMER GUIDANCE	18


1. SAFETY PRECAUTIONS

Be sure to read this manual carefully before installation.


The warnings and precautions indicated in this manual contain important information pertaining to your safety. Be sure to observe them.

Hand this manual, together with the operating manual, to the customer. Request the customer to keep them on hand for future use, such as for relocating or repairing the unit.

After installation, explain correct operation to the customer, using the operating manual.

 WARNING	This mark indicates procedures which, if improperly performed, might lead to the death or serious injury of the user.
To avoid getting an electric shock, never touch the electrical components soon after the power supply has been turned off. After turning off the power, always wait 10 minutes or more before you touch the electrical components.	
Installation of this product must be done by experienced service technicians or professional installers only in accordance with this manual. Installation by non-professional or improper installation of the product might cause serious accidents such as injury, water leakage, electric shock, or fire. If the product is installed in disregard of the instructions in this manual, it will void the manufacturer's warranty.	
Do not turn on the power until all work has been completed. Turning on the power before the work is completed can cause serious accidents such as an electric shock or a fire.	
If refrigerant leaks while work is being carried out, ventilate the area. If the refrigerant comes in contact with a flame, it produces a toxic gas.	
Installation must be performed in accordance with regulations, codes, or standards for electrical wiring and equipment in each country, region, or the installation place.	

Do not use this equipment with air or any other unspecified refrigerant in the refrigerant lines. Excess pressure can cause a rupture.
During installation, make sure that the refrigerant pipe is attached firmly before you run the compressor. Do not operate the compressor under the condition of refrigerant piping not attached properly with 2-way or 3-way valve open. This may cause abnormal pressure in the refrigeration cycle that leads to breakage and even injury.
When installing and relocating the air conditioner, do not mix gases other than the specified refrigerant (R410A) to enter the refrigerant cycle. If air or other gas enters the refrigerant cycle, the pressure inside the cycle will rise to an abnormally high value and cause breakage, injury, etc.
To connect the indoor unit and outdoor unit, use air conditioner piping and cables available locally as standard parts. This manual describes proper connections using such installation set.
Do not use an extension cable.
If the supply cord is damaged, it must be replaced by the manufacturer, its service agent or similarly qualified persons in order to avoid a hazard.
Do not modify power cable, use extension cable or branch wiring. Improper use may cause electric shock or fire by poor connection, insufficient insulation or over current.
Do not purge the air with refrigerants but use a vacuum pump to vacuum the installation.
There is not extra refrigerant in the outdoor unit for air purging.
Using the same vacuum pump for different refrigerants may damage the vacuum pump or the unit.
Use a clean gauge manifold, vacuum pump and charging hose for R410A exclusively.
During the pump down operation, make sure that the compressor is turned off before you remove the refrigerant piping. Do not remove the connection pipe while the compressor is in operation with 2 way or 3 way valve open. This may cause abnormal pressure in the refrigeration cycle that leads to rupture and even injury.
This appliance is not intended for use by persons (including children) with reduced physical, sensory or mental capabilities, or lack of experience and knowledge, unless they have been given supervision or instruction concerning use of the appliance by a person responsible for their safety. Children should be supervised to ensure that they do not play with the appliance.
To avoid danger of suffocation, keep the plastic bag or thin film used as the packaging material away from young children.
When installing this system in high humidity locations, install using ground fault equipment breakers (often referred to in other countries as an ELCB [earth leakage current breaker]) to reduce the risk of leaking current which may result in electric shock or potential fire.

 CAUTION	This mark indicates procedures which, if improperly performed, might possibly result in personal harm to the user, or damage to property.
Do not attempt to install the air conditioner or a part of the air conditioner by yourself.	
This product must be installed by qualified personnel with a capacity certificate for handling refrigerant fluids. Refer to regulation and laws in use on installation place.	
Installation work must be performed in accordance with national wiring standards by authorized personnel only.	
Install the product by following local codes and regulations in force at the place of installation, and the instructions provided by the manufacturer.	
Connect the indoor unit and outdoor unit with the air conditioner piping and cables available standards parts. This installation manual describes the correct connections using the installation set available from our standard parts.	
After a long period of disuse in an environment 0 °C or lower, supply power to the unit at least 12 hours before re-starting the unit.	
This product is part of a set constituting an air conditioner. The product must not be installed alone or be installed with non-authorized device by the manufacturer.	
Always use a separate power supply line protected by a circuit breaker operating on all wires with a distance between contact of 3 mm for this product.	
To protect the persons, earth (ground) the product correctly, and use the power cable combined with an Earth Leakage Circuit Breaker (ELCB).	
This product is not explosion proof, and therefore should not be installed in explosive atmosphere.	
Do not touch the fins of the heat exchanger. Touching the heat exchanger fins could result in damage to the fins or personal injury such as skin rupture.	
This product contains no user-serviceable parts. Always consult experienced service technicians for repairing.	
When moving or relocating the air conditioner, consult experienced service technicians for disconnection and reinstallation of the product.	
Do not place any other electrical products or household belongings under indoor unit or outdoor unit. Dripping condensation from the unit might get them wet, and may cause damage or malfunction of your property.	
Children should be monitored to ensure they do not play with the device.	

2. ABOUT THIS PRODUCT

2.1. Precautions for using R410A refrigerant

⚠ WARNING

The basic installation work procedures are the same as conventional refrigerant (R22) models.

However, pay careful attention to the following points:

- Since the working pressure is 1.6 times higher than that of conventional refrigerant (R22) models, some of the piping and installation and service tools are special. (See the table below.)
Especially, when replacing a conventional refrigerant (R22) model with a new refrigerant R410A model, always replace the conventional piping and flare nuts with the R410A piping and flare nuts.
- Models that use refrigerant R410A have a different charging port thread diameter to prevent erroneous charging with conventional refrigerant (R22) and for safety. Therefore, check beforehand. [The charging port thread diameter for R410A is 1/2-20 UNF.]
- Be careful that foreign matter (oil, water, etc.) does not enter the piping than with refrigerant models. Also, when storing the piping, securely seal the openings by pinching, taping, etc.
- When charging the refrigerant, take into account the slight change in the composition of the gas and liquid phases, and always charge from the liquid phase side whose composition is stable.

2.2. Special tools for R410A refrigerant

Tool name	Contents of change
Gauge manifold	Pressure is high and cannot be measured with a conventional gauge. To prevent erroneous mixing of other refrigerants, the diameter of each port has been changed. It is recommended the gauge with seals -0.1 to 5.3 MPa (30 in. Hg to 769 psi) for high pressure. -0.1 to 3.8 MPa (30 in. Hg to 551 psi) for low pressure.
Charge hose	To increase pressure resistance, the hose material and base size were changed.
Vacuum pump	A conventional vacuum pump can be used by installing a vacuum pump adapter. Be sure that the pump oil does not back flow into the system. Use one capable for vacuum suction of -100.7 kPa (5 Ton, -755 mmHg).
Gas leakage detector	Special gas leakage detector for HFC refrigerant R410A.

Copper pipes

It is necessary to use seamless copper pipes and it is desirable that the amount of residual oil is less than 40 mg/10 m. Do not use copper pipes having a collapsed, deformed or discolored portion (especially on the interior surface). Otherwise, the expansion valve or capillary tube may become blocked with contaminants.

As an air conditioner using R410A incurs pressure higher than when using conventional refrigerant, it is necessary to choose adequate materials.

Thicknesses of copper pipes used with R410A are as shown in the table. Never use copper pipes thinner than that in the table even when it is available on the market.

Thicknesses of Annealed Copper Pipes (R410A)


Pipe outside diameter [mm (in.)]	Thickness [mm (in.)]
6.35 (1/4)	0.80 (0.032)
9.52 (3/8)	0.80 (0.032)
12.70 (1/2)	0.80 (0.032)
15.88 (5/8)	1.00 (0.039)
19.05 (3/4)	1.20 (0.047)


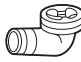
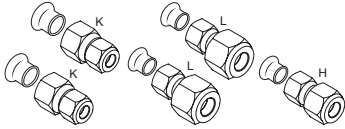



2.3. Accessories

⚠ WARNING

For installation purposes, be sure to use the parts supplied by the manufacturer or other prescribed parts. The use of non-prescribed parts can cause serious accidents such as the unit falling, water leakage, electric shock, or fire.

Do not throw away the connecting parts until the installation has been complete.

Name and shape	Q'ty	Application
Installation manual 	1	(This book)

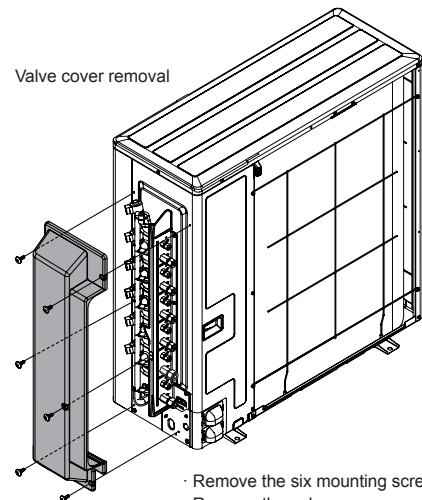
Name and shape	Q'ty	Application
Drain cap 	7	For outdoor unit drain piping work
Drain pipe 	1	
Adapter [mm (in.)] K: [12.70 (1/2) → 9.52 (3/8)] × 2 L: [12.70 (1/2) → 15.88 (5/8)] × 2 H: [9.52 (3/8) → 12.70 (1/2)] × 1 	1 set	Adapter is necessary in the connection of the indoor unit. For more information, refer to the installation manual included with the indoor unit.
Cable tie with clip 	Large: 2	For binding wire with connector (For conduit plate)
	Small: 2	For binding wire with connector
Cable tie 	1	For binding wire with connector
Grommet edging 	1	For Connection cable installation. Attach to the knockout hole.

2.4. Optional parts

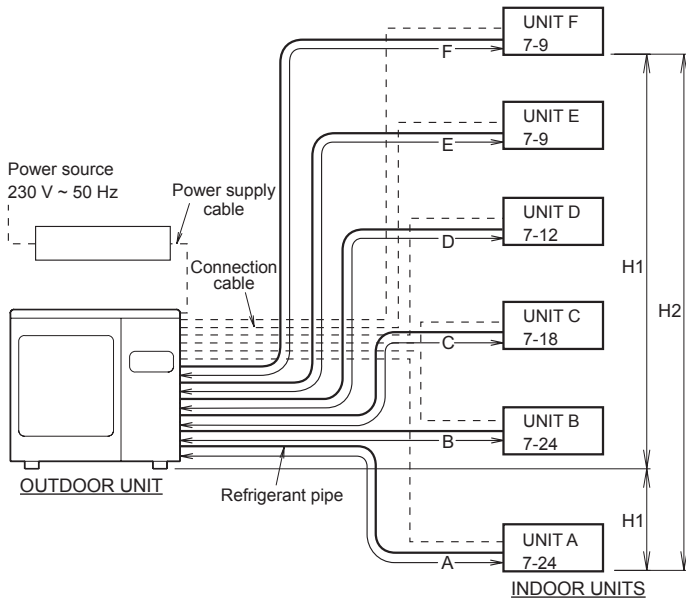
Parts name	Model name
Central remote controller	UTY-DMMYM

2.5. System configuration

Layout example for the indoor units and outdoor unit



2. 5. 1. Connectable indoor unit capacity type (Outdoor unit: 45 type)



CAUTION

The total capacity of the indoor units connected must be between 34,000 and 62,000 BTU. Connection patterns are restricted. Normal operation is not guaranteed if connected pattern in the combination not listed below. The product may be damaged. Surely connect in accordance with the combination in the following connection pattern.

- To install an indoor unit, refer to the installation manual included with the indoor unit.

Outdoor port		Capacity indoor unit
Standard port size [mm (in.)]		
F	6.35 (1/4) / 9.52 (3/8)	7 - 9
E	6.35 (1/4) / 9.52 (3/8)	7 - 9
D	6.35 (1/4) / 9.52 (3/8)	7 - 12
C	6.35 (1/4) / 9.52 (3/8)	7 - 18
B	6.35 (1/4) / 12.70 (1/2)	7 - 24
A	6.35 (1/4) / 12.70 (1/2)	7 - 24

Port F: Ø6.35 mm, Ø9.52 mm (Ø1/4 in., Ø3/8 in.)

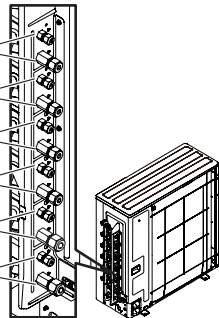
Port E: Ø6.35 mm, Ø9.52 mm (Ø1/4 in., Ø3/8 in.)

Port D: Ø6.35 mm, Ø9.52 mm (Ø1/4 in., Ø3/8 in.)

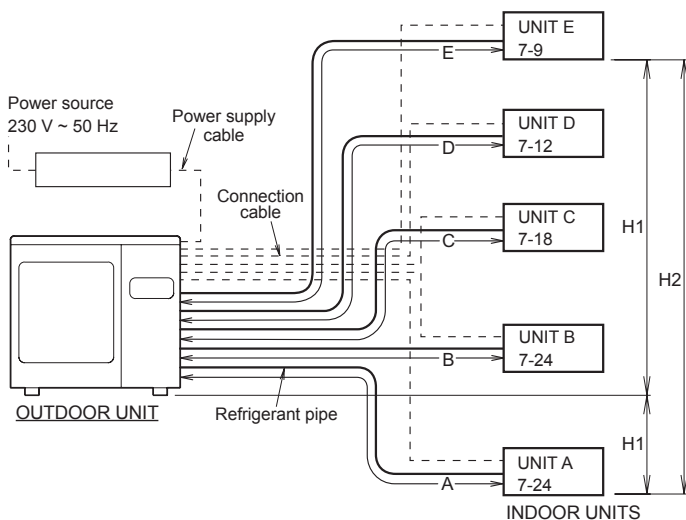
Port C: Ø6.35 mm, Ø9.52 mm (Ø1/4 in., Ø3/8 in.)

Port B: Ø6.35 mm, Ø12.70 mm (Ø1/4 in., Ø1/2 in.)

Port A: Ø6.35 mm, Ø12.70 mm (Ø1/4 in., Ø1/2 in.)



2. 5. 2. Connectable indoor unit capacity type (Outdoor unit: 36 type)



CAUTION

The total capacity of the indoor units connected must be between 27,000 and 54,000 BTU. Connection patterns are restricted. Normal operation is not guaranteed if connected pattern in the combination not listed below. The product may be damaged. Surely connect in accordance with the combination in the following connection pattern.

- To install an indoor unit, refer to the installation manual included with the indoor unit.

Outdoor port		Capacity indoor unit
Standard port size [mm (in.)]		
E	6.35 (1/4) / 9.52 (3/8)	7 - 9
D	6.35 (1/4) / 9.52 (3/8)	7 - 12
C	6.35 (1/4) / 9.52 (3/8)	7 - 18
B	6.35 (1/4) / 12.70 (1/2)	7 - 24
A	6.35 (1/4) / 12.70 (1/2)	7 - 24

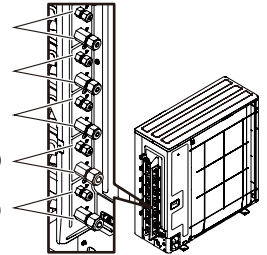
Port E: Ø6.35 mm, Ø9.52 mm (Ø1/4 in., Ø3/8 in.)

Port D: Ø6.35 mm, Ø9.52 mm (Ø1/4 in., Ø3/8 in.)

Port C: Ø6.35 mm, Ø9.52 mm (Ø1/4 in., Ø3/8 in.)

Port B: Ø6.35 mm, Ø12.70 mm (Ø1/4 in., Ø1/2 in.)

Port A: Ø6.35 mm, Ø12.70 mm (Ø1/4 in., Ø1/2 in.)



2. 5. 3. Limitation of refrigerant piping length

CAUTION

The total maximum pipe lengths and height difference of this product are shown in the table. If the units are further apart than this, correct operation cannot be guaranteed.

Total max. length *1)	45 type (a+b+c+d+e+f)	80 m
	36 type (a+b+c+d+e)	
Max. length for each indoor unit	45 type (a, b, c, d, e or f)	25 m
	36 type (a, b, c, d or e)	
"Max. height difference between outdoor unit and each indoor unit"	(H1)	15 m
"Max. height difference between indoor units"	(H2)	10 m
Min. length for each indoor unit	45 type (a, b, c, d, e or f)	5 m
	36 type (a, b, c, d or e)	
Total min. length	(a+b)	15 m

*1) If the total piping is longer than 50 m, additional refrigerant charging is necessary. (For more information, refer to "3.6. Additional charging".)

3. GENERAL SPECIFICATIONS

3. 1. Power

WARNING

The rated voltage of this product is 230 V A.C. 50 Hz.

Before turning on verify that the voltage is within the 198 V to 264 V range.

Always use a special branch circuit and install a special receptacle to supply power to the air conditioner.

Use a special branch circuit breaker and receptacle matched to the capacity of the air conditioner. (Install in accordance with standard.)

Do not extend the power cord.

Perform wiring work in accordance with standards so that the air conditioner can be operated safely and positively.

Install a leakage special branch circuit breaker in accordance with the related laws and regulations and electric company standards.

⚠ CAUTION

The power source capacity must be the sum of the air conditioner current and the current of other electrical appliances. When the current contracted capacity is insufficient, change the contracted capacity.

When the voltage is low and it is difficult to start the air conditioner, contact the power company to have the voltage raised.

3. 2. Selecting circuit breaker and wiring

⚠ CAUTION

Be sure to install a breaker of the specified capacity.

Regulation of cables and breaker differs from each locality, refer in accordance with local rules.

Voltage rating	1ø 230 V (50Hz)
Operating range	198-264V

Cable	Cable size (mm ²) ^{*1}	Type	Remarks
Power supply cable	6.0	Type 60245 IEC 66	2 cable + Earth (Ground), 1 Ø 230 V
Connection cable	1.5	Type 60245 IEC 57	3 cable + Earth (Ground), 1 Ø 230 V

Cable	Cable size ^{*1)}	Remarks
Remote controller cable ^{*2)}	0.33 mm ²	Use shield cable in accordance with local rules for cable. (Polar 3 core)

*1) Selected sample: Select the correct cable type and size according to the country or region's regulations.

Max. wire length: Set a length so that the voltage drop is less than 2%. Increase the wire diameter when the wire length is long.

*2) The remote controller cable supplied with the Central remote controller is for indoor use. If you require cables for outdoor use, please purchase locally. Material is not specified. However, it should be selected considering the operating environment (temperature, humidity), and regional regulations (ROHS Directive, etc.).

Breaker	Specification ^{*3)}
Circuit breaker	45 type Current : 30(A)
	36 type Current : 25(A)
Earth leakage breaker	Leakage current : 30mA 0.1 s or less ^{*4)}

*3) Select the appropriate breaker of the described specification according to the national or regional standards.

*4) Select the breaker that enough load current can pass through it.

3. 3. Selecting the pipe material

⚠ CAUTION

Do not use existing pipes.

Use pipes that have clean external and internal sides without any contamination which may cause trouble during use, such as sulphur, oxide, dust, cutting waste, oil, or water.

It is necessary to use seamless copper pipes.
Material: Phosphor deoxidized seamless copper pipes.
It is desirable that the amount of residual oil is less than 40 mg/10 m.

Do not use copper pipes that have a collapsed, deformed, or discoloured portion (especially on the interior surface). Otherwise, the expansion valve or capillary tube may become blocked with contaminants.

Improper pipe selection will degrade performance. As an air conditioner using R410A incurs pressure higher than when using conventional refrigerant, it is necessary to choose adequate materials.

The diameters of the connection pipes differ according to the capacity of the indoor unit. Refer to the following table for the proper diameters of the connection pipes between the indoor and outdoor units.

Capacity of indoor unit	Gas pipe size (thickness) mm (mm)	Liquid pipe size (thickness) mm (mm)
7 – 12	ø9.52 (0.8)	ø6.35 (0.8)
15, 18	ø12.70 (0.8)	ø6.35 (0.8)
24	ø15.88 (1.0)	ø6.35 (0.8)

⚠ CAUTION

Operation cannot be guaranteed if the correct combination of pipes, valves, etc., is not used to connect the indoor and outdoor units.

3. 4. Heat insulation around connection pipes requirements

⚠ CAUTION

Install heat insulation around both the gas and liquid pipes.

Failure to do so may cause water leaks.

Use heat insulation with heat resistance above 120 °C. (Reverse cycle model only)

In addition, if the humidity level at the installation location of the refrigerant piping is expected to exceed 70%, install heat insulation around the refrigerant piping. If the expected humidity level is 70-80%, use heat insulation that is 15 mm or thicker and if the expected humidity exceeds 80%, use heat insulation that is 20 mm or thicker. If heat insulation is used that is not as thick as specified, condensation may form on the surface of the insulation. In addition, use heat insulation with heat conductivity of 0.045 W/(m·K) or less at 20 °C.

Connect the connection pipes according to "5.1. Pipe connection" in this installation manual.

3. 5. Operating range

	Temperature	Indoor air intake	Outdoor air intake
Cooling	Maximum	32.0 °C DB	46.0 °C DB
	Minimum	18.0 °C DB	-10.0 °C DB
Heating	Maximum	30.0 °C DB	24.0 °C DB
	Minimum	16.0 °C DB	-15.0 °C DB

Indoor humidity about 80% or less

3. 6. Additional charging

Refrigerant suitable for a total piping length of 50 m is charged in the outdoor unit at the factory.

When the piping is longer than 50 m, additional charging is necessary.

For the additional amount, see the table below.

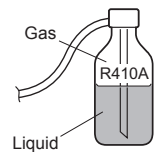
Total piping length (m)	50 or less	60	70	80	
Additional refrigerant charge	None	200 g	400 g	600 g	20 g/m

⚠ CAUTION

When moving and installing the air conditioner, do not mix gas other than the specified refrigerant (R410A) inside the refrigerant cycle.

When charging the refrigerant R410A, always use an electronic balance for refrigerant charging (to measure the refrigerant by weight).

When charging the refrigerant, take into account the slight change in the composition of the gas and liquid phases, and always charge from the liquid phase side whose composition is stable.



Add refrigerant from the charging valve after the completion of the work.

If the units are further apart than the maximum pipe length, correct operation cannot be guaranteed.

4. INSTALLATION WORK

Please obtain the approval of the customer when selecting the location of installation and installing the unit.

4. 1. Selecting an installation location

⚠ WARNING

Securely install the outdoor unit at a location that can withstand the weight of the unit. Otherwise, the outdoor unit may fall and cause injury.

Be sure to install the outdoor unit as prescribed, so that it can withstand earthquakes and typhoons or other strong winds. Improper installation can cause the unit to topple or fall, or other accidents.

Do not install the outdoor unit near the edge of a balcony. Otherwise, children may climb onto the outdoor unit and fall off of the balcony.

CAUTION

Do not install the outdoor unit in the following areas:

- Area with high salt content, such as at the seaside. It will deteriorate metal parts, causing the parts to fail or the unit to leak water.
- Area filled with mineral oil or containing a large amount of splashed oil or steam, such as a kitchen. It will deteriorate plastic parts, causing the parts to fail or the unit to leak water.
- Area that generates substances that adversely affect the equipment, such as sulfuric gas, chlorine gas, acid, or alkali. It will cause the copper pipes and brazed joints to corrode, which can cause refrigerant leakage.
- Area containing equipment that generates electromagnetic interference. It will cause the control system to malfunction, preventing the unit from operating normally.
- Area that can cause combustible gas to leak, contains suspended carbon fibers or flammable dust, or volatile inflammables such as paint thinner or gasoline. If gas leaks and settles around the unit, it can cause a fire.
- Area that has heat sources, vapors, or the risk of the leakage of flammable gas in the vicinity.
- Area where small animals may live. It may cause failure, smoke or fire if small animals enter and touch internal electrical parts.
- Area where animals may urinate on the unit or ammonia may be generated.

Please install the outdoor unit without slant.

Install the outdoor unit in a well-ventilated location away from rain or direct sunlight.

If the outdoor unit must be installed in an area within easy reach of the general public, install as necessary a protective fence or the like to prevent their access.

Install the outdoor unit in a location that would not inconvenience your neighbors, as they could be affected by the airflow coming out from the outlet, noise, or vibration. If it must be installed in proximity to your neighbors, be sure to obtain their approval.

If the outdoor unit is installed in a cold region that is affected by snow accumulation, snow fall, or freezing, take appropriate measures to protect it from those elements. To ensure a stable operation, install inlet and outlet ducts.

Install the outdoor unit in a location that is away from exhaust or the vent ports that discharge vapor, soot, dust, or debris.

Install the indoor unit, outdoor unit, power supply cable, connection cable, and remote control cable at least 1 m away from a television or radio receivers. The purpose of this is to prevent TV reception interference or radio noise. (Even if they are installed more than 1 m apart, you could still receive noise under some signal conditions.)

If children under 10 years old may approach the unit, take preventive measures so that they cannot reach the unit.

Keep the length of the piping of the indoor and outdoor units within the allowable range.

For maintenance purposes, do not bury the piping.

Decide the mounting position with the customer as follows:

- (1) Install the outdoor unit in a location which can withstand the weight of the unit and vibration, and which can install horizontally.
- (2) Provide the indicated space to ensure good airflow.
- (3) If possible, do not install the unit where it will be exposed to direct sunlight. (If necessary, install a blind that does not interfere with the airflow.)
- (4) Do not install the unit near a source of heat, steam, or flammable gas.
- (5) During heating operation, drain water flows from the outdoor unit. Therefore, install the outdoor unit in a place where the drain water flow will not be obstructed. (Reverse cycle model only)
- (6) Do not install the unit where strong wind blows or where it is very dusty.
- (7) Do not install the unit where people pass.
- (8) Install the outdoor unit in a place where it will be free from being dirty or getting wet by rain as much as possible.
- (9) Install the unit where connection to the indoor unit is easy.

4. 2. Installation dimensions

CAUTION

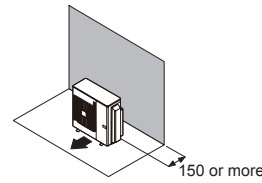
Install the unit where it will not be tilted by more than 3°. However, do not install the unit with it tilted towards the side containing the compressor.

When installing the outdoor unit where it may be exposed to strong wind, fasten it securely.

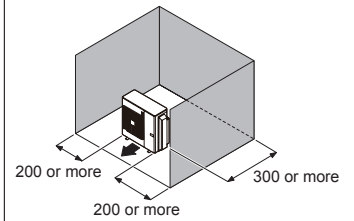
4. 2. 1. Outdoor unit installation

When the upper space is open: (Unit: mm)

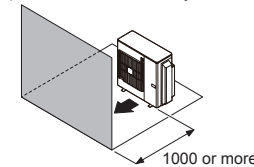
(1) Obstacles at rear only.



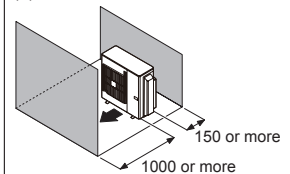
(2) Obstacles at rear and sides.



(3) Obstacles at front only.

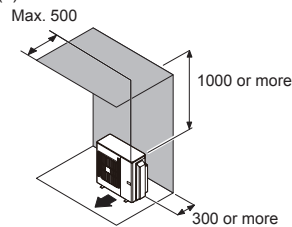


(4) Obstacles at front and rear.

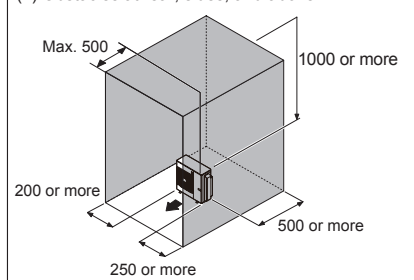


When an obstruction in the upper space: (Unit: mm)

(1) Obstacles at rear and above.



(2) Obstacles at rear, sides, and above.

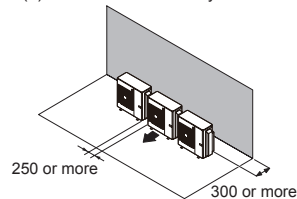


4. 2. 2. Multiple outdoor unit installation

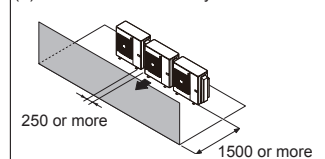
- Provide at least 250 mm of space between the outdoor units if multiple units are installed.
- When routing the piping from the side of an outdoor unit, provide space for the piping.

When the upper space is open: (Unit: mm)

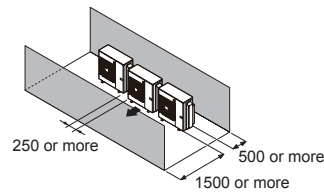
(1) Obstacles at rear only.



(2) Obstacles at front only.



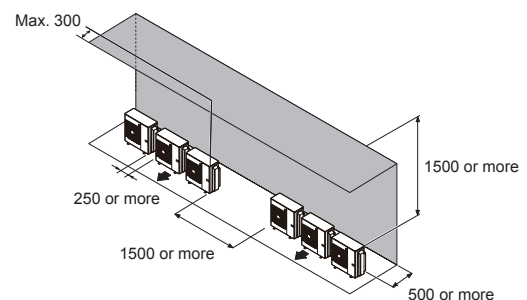
(3) Obstacles at front and rear.



When an obstruction in the upper space: (Unit: mm)

Obstacles at rear and above.

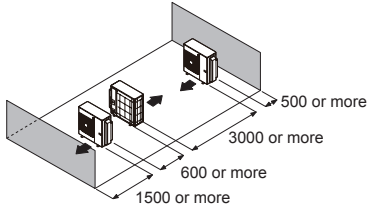
- Up to 3 units can be installed side by side.
- When 4 units or more are arranged in a line, provide the space as shown below.



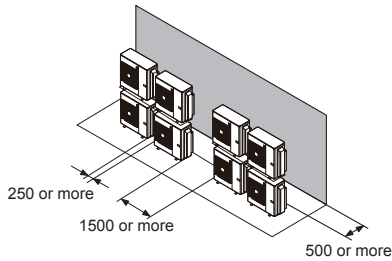
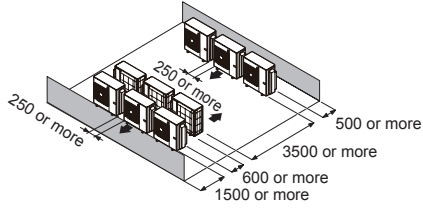
4.2.3. Outdoor units installation multi-row (Unit: mm)

* The following settings are not recommended in case of cooling in a low outside temperature.

(1) Single parallel unit arrangement



(2) Multiple parallel unit arrangement



CAUTION

Do not install the outdoor unit in two stage if the drain water may freeze. Otherwise the drainage from the upper unit may form ice and cause a malfunction of the lower unit.

NOTES:

- If the space is larger than stated above, the condition will be the same as when there is no obstacle.
- When installing the outdoor unit, be sure to open the front and left side to obtain better operation efficiency.

4.3. Transporting the unit

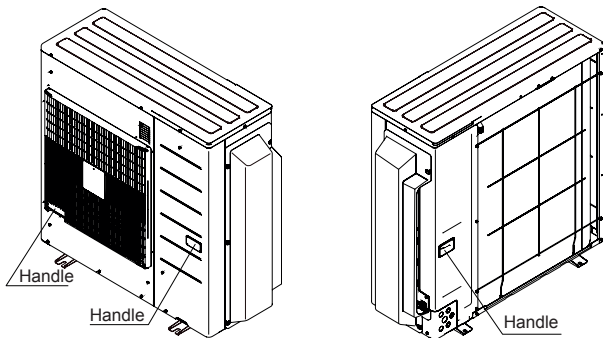
WARNING

Do not touch the fins. Otherwise, personal injury could result.

CAUTION

When carrying the unit, hold the handles on the right and left sides and be careful. If the outdoor unit is carried from the bottom, hands or fingers may be pinched.

- Be sure to hold the handles on the sides of the unit. Otherwise, holding the suction grille on the sides of the unit may cause deformation.



4.4. Drain installation

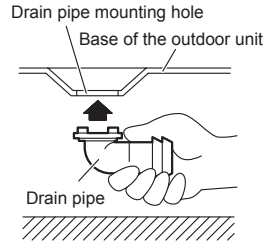
45 type

CAUTION

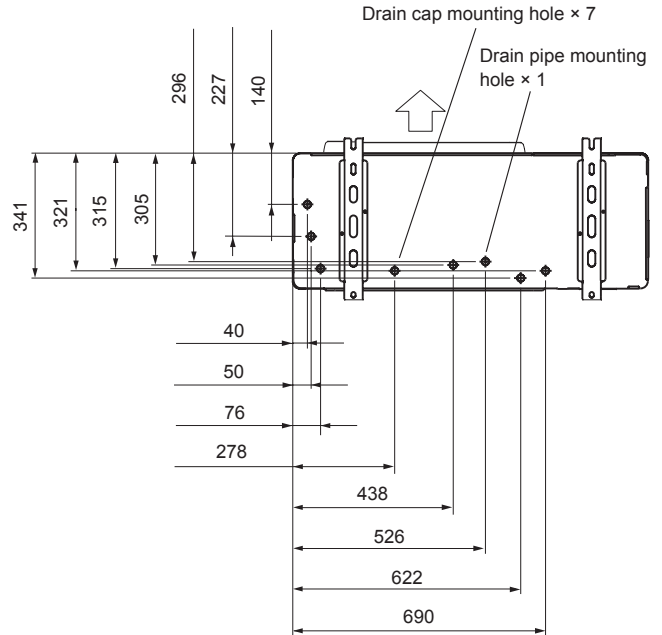
• Perform drain work in accordance with this Manual, and ensure that the drain water is properly drained. If the drain work is not carried out correctly, water may drip down from the unit, wetting the furniture.

• When the outdoor temperature is 0 °C or less, do not use the accessory drain pipe and drain cap. If the drain pipe and drain cap are used, the drain water in the pipe may freeze in extremely cold weather. (Reverse cycle model only).

- If you are installing the drain pipe and drain caps, please provide a working space under the base of the outdoor unit.
- As the drain water flows out of the outdoor unit during heating operation, install the drain pipe and connect it to a commercial 16 mm hose. (Reverse cycle model only)
- When installing the drain pipe, plug all the holes other than the drain pipe mounting hole in the bottom of the outdoor unit with putty so there is no water leakage. (Reverse cycle model only)



(Unit: mm)



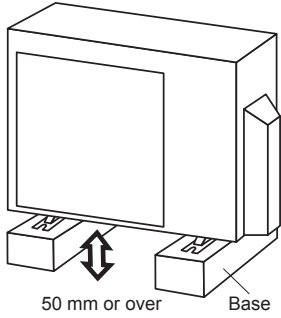
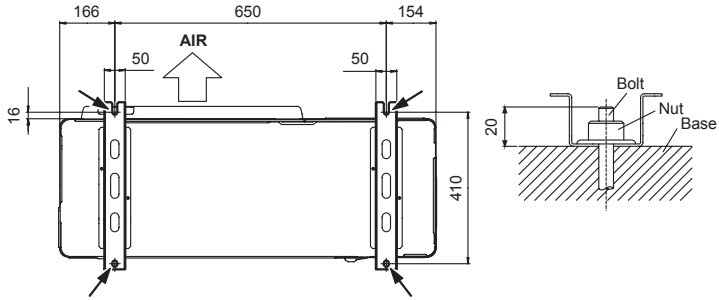
4.5. Secure the unit

WARNING

When installing the outdoor unit where it may be exposed to strong wind, fasten it securely.

- Please install the outdoor unit without slant. (within 3 degrees)
- Install 4 anchor bolts at the locations indicated with arrows in the figure.
- To reduce vibration, do not install the unit directly on the ground. Install it on a secure base (such as concrete blocks).
- The foundation shall support the legs of the unit and have a width of 50 mm or more.
- Depending on the installation conditions, the outdoor unit may spread its vibration during operation, which may cause noise and vibration. Therefore, attach damping materials (such as damping pads) to the outdoor unit during installation.
- Install the foundation, making sure that there is enough space for installing the connection pipes.
- Secure the unit to a solid block using foundation bolts. (Use 4 sets of commercially available M10 bolts, nuts, and washers.)
- The bolts should protrude 20 mm. (Refer to the figure.)
- If overturning prevention is required, purchase the necessary commercially available items.

(Unit: mm)



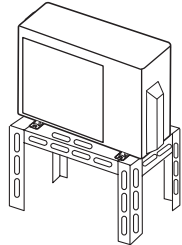
- Do not install directly on the ground, this may result in equipment failure. Make sure the height of the base is 50 mm from the ground. Otherwise, there is a risk that the drainage water will freeze between the device and the surface, disabling drainage.

CAUTION

Do not install the outdoor unit in two-stage where the drain water could freeze. Otherwise the drainage from the upper unit may form ice and cause a malfunction of the lower unit.

When the outdoor temperature is 0 °C or less, do not use the accessory drain pipe and drain cap. If the drain pipe and drain cap are used, the drain water in the pipe may freeze in extremely cold climate. (For reverse cycle model only.)

In areas with heavy snowfall, where intake and outlet of the outdoor unit can become blocked by snow. It is recommended that unit be installed under a canopy or elevated on a high stand. Failure to do so will result in poor heating performance and/or premature failure of equipment.



5. PIPE INSTALLATION

5.1. Pipe connection

CAUTION

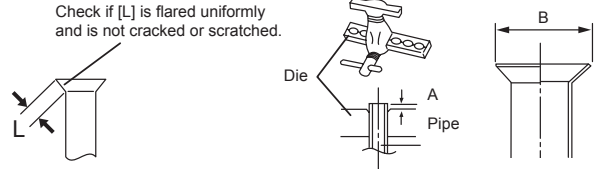
Do not use mineral oil on a flared part. Prevent mineral oil from getting into the system as this would reduce the lifetime of the units.

While welding the pipes, be sure to blow dry nitrogen gas through them.

The maximum lengths of this product are shown in the table. If the units are further apart than this, correct operation cannot be guaranteed.

5.1.1. Flaring

- Use special pipe cutter and flare tool exclusive for R410A.
- Cut the connection pipe to the necessary length with a pipe cutter.
- Hold the pipe downward so that the cuttings will not enter the pipe and remove any burrs.
- Insert the flare nut (always use the flare nut attached to the indoor and outdoor units respectively) onto the pipe and perform the flare processing with a flare tool. Leakage of refrigerant may result if other flare nuts are used.
- Protect the pipes by pinching them or with tape to prevent dust, dirt, or water from entering the pipes.



Pipe outside diameter [mm (in.)]	Dimension A [mm (in.)]	Dimension B ⁰ / _{0.4} (mm)
	Flare tool for R410A, clutch type	
6.35 (1/4)	0 to 0.5 (0 to 0.020)	9.1
9.52 (3/8)		13.2
12.70 (1/2)		16.6
15.88 (5/8)		19.7
19.05 (3/4)		24.0

- When using conventional flare tools to flare R410A pipes, the dimension A should be approximately 0.5 mm more than indicated in the table (for flaring with R410A flare tools) to achieve the specified flaring. Use a thickness gauge to measure the dimension A.

Width across flats



Pipe outside diameter [mm (in.)]	Width across flats of Flare nut (mm)
6.35 (1/4)	17
9.52 (3/8)	22
12.70 (1/2)	26
15.88 (5/8)	29
19.05 (3/4)	36

5.1.2. Bending pipes

CAUTION

To prevent breaking of the pipe, avoid sharp bends. Bend the pipe with a radius of curvature of 100 mm or more.

If the pipe is bent repeatedly at the same place, it will break.

- If pipes are shaped by hand, be careful not to collapse them.
- Do not bend the pipes at an angle of more than 90°.
- When pipes are repeatedly bent or stretched, the material will harden, making it difficult to bend or stretch them any more.
- Do not bend or stretch the pipes more than 3 times.

5.1.3. Connecting pipes

CAUTION

Be sure to install the pipe against the port on the indoor unit and the outdoor unit correctly. If the centering is improper, the flare nut cannot be tightened smoothly. If the flare nut is forced to turn, the threads will be damaged.

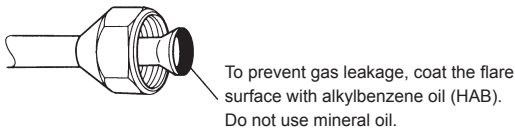
Do not remove the flare nut from the outdoor unit pipe until immediately before connecting the connection pipe.

After installing the piping, make sure that the connection pipes do not touch the compressor or outer panel. If the pipes touch the compressor or outer panel, they will vibrate and produce noise.

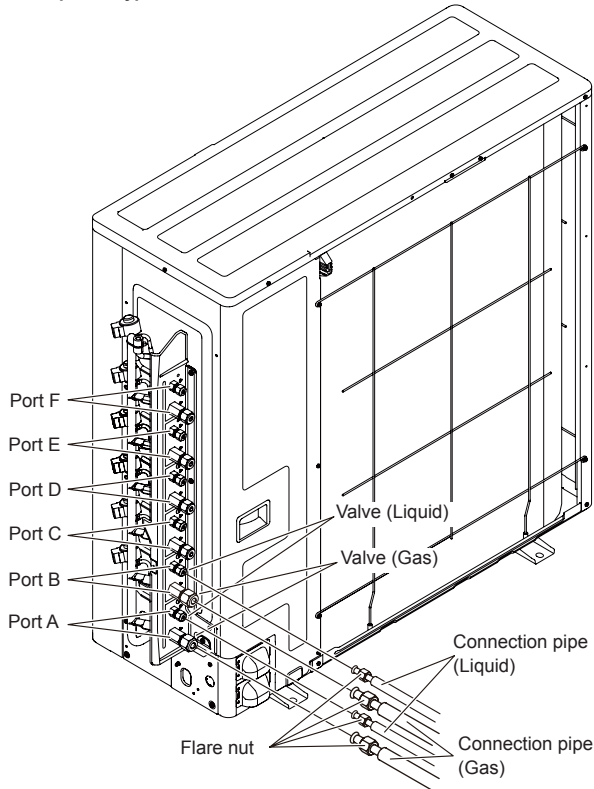
If there are a large number of flare connections due to the number of indoor units connected, please confirm that the valves that are not connected are closed. Not doing so may cause a refrigerant leak.

When connecting the indoor unit, it should be connected in the order of port A, B, C, and so on. Please be sure to close remaining unconnected ports so that they do not leak refrigerant.

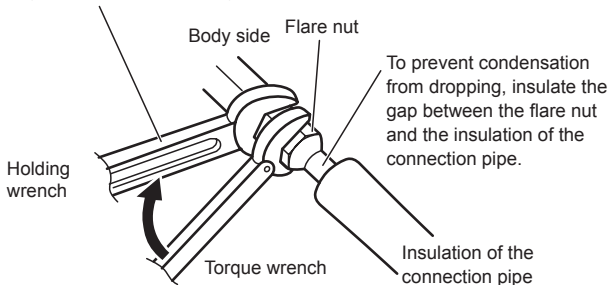
- (1) Detach the caps and plugs from the pipes.
- (2) Center the pipe against the port on the outdoor unit, and then turn the flare nut by hand.



- (3) Attach the connection pipe.
Example: 45 type



With this model, the Holding wrench can only be inserted horizontally.



- (4) When the flare nut is tightened properly by your hand, use a torque wrench to finally tighten it.

CAUTION

Hold the torque wrench at its grip, keeping it in a right angle with the pipe, in order to tighten the flare nut correctly.

- Outer panel may be distorted if fastened only with a wrench. Be sure to fix the elementary part with a holding wrench and fasten with a torque wrench (refer to below diagram). Do not apply force to the blank cap of the valve or hang a wrench, etc., on the cap. If blank cap is broken, it may cause leakage of refrigerant.

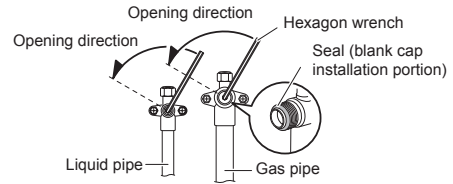
Flare nut [mm (in.)]	Tightening torque [N·m (kgf·cm)]
6.35 (1/4) dia.	16 to 18 (160 to 180)
9.52 (3/8) dia.	32 to 42 (320 to 420)
12.70 (1/2) dia.	49 to 61 (490 to 610)
15.88 (5/8) dia.	63 to 75 (630 to 750)
19.05 (3/4) dia.	90 to 110 (900 to 1100)

5. 1. 4. Handling precautions for the valves

- Mounted part of Blank cap is sealed for protection.
- Fasten blank cap tightly after opening valves.

Operating the valves

- Use a hexagon wrench (size: 4 mm).
- Opening
 - (1) Insert the hexagon wrench into the valve shaft, and turn it counterclockwise.
 - (2) Stop turning when the valve shaft can no longer be turned. (Open position)
- Closing
 - (1) Insert the hexagon wrench into the valve shaft, and turn it clockwise.
 - (2) Stop turning when the valve shaft can no longer be turned. (Closed position)



5. 1. 5. How to use adapter (Connection ports of outdoor unit)

- When using the ADAPTER, be careful not to overtighten the nut, or the smaller pipe may be damaged.
- Apply a coat of refrigeration oil to the threaded connection port of the outdoor unit where the flare nut comes in.
- Use appropriate wrenches to avoid damaging the connection thread by overtightening the flare nut.
- Apply wrenches on both of flare nut (local part), and ADAPTER to tighten them.

Adapter tightening torque

Adapter type [mm (in.)]	Tightening torque [N·m (kgf·cm)]
ø12.70 (ø1/2) → ø9.52 (ø3/8)	49 to 61 (490 to 610)
ø12.70 (ø1/2) → ø15.88 (ø5/8)	49 to 61 (490 to 610)

5. 2. Sealing test

CAUTION

Use only nitrogen gas. Never use refrigerant gas, oxygen, in flammable gas or poisonous gas to pressurize the system. (If oxygen is used, there is the danger of an explosion.)

Do not apply shock during sealing test. It can rupture the pipes and cause serious injury.

Do not turn on the power unless all operations are complete.

Do not block the walls and the ceiling until the sealing test and the charging of the refrigerant gas have been completed.

After connecting the pipes, perform a sealing test. Recheck that the 3-way valve are closed before performing a sealing test. (Fig. B)

Pour nitrogen gas through both the liquid pipe and the gas pipe. Pressurize nitrogen gas to 4.2 MPa to perform the sealing test.

Check all flare connection areas and brazed areas.

Then, check that the pressure has not decreased.

Compare the pressures after pressurizing and letting it stand for 24 hours, and check that the pressure has not decreased.

* When the outdoor temperature changes 5 °C, the test pressure changes 0.05 MPa. If the pressure has dropped, the pipe joints may be leaking.

If a leakage is found, immediately repair it and perform a sealing test again.

* Decrease the pressure of nitrogen gas before blazing

After completing the sealing test, release the nitrogen gas from both valves. Release the nitrogen gas slowly.

5.3. Vacuum process

⚠ CAUTION

- Do not turn on the power unless all operations are complete.
 - If the system is not evacuated sufficiently, its performance will drop.
 - Be sure to evacuate the refrigerant system using a vacuum pump.
 - The refrigerant pressure may sometimes not rise when a closed valve is opened after the system is evacuated using a vacuum pump. This is caused by the closure of the refrigerant system of the outdoor unit by the electronic expansion valve. This will not affect the operation of the unit.
 - Use a clean gauge manifold and charging hose that were designed specifically for use with R410A. Using the same vacuum equipment for different refrigerants may damage the vacuum pump or the unit.
 - Do not purge the air with refrigerants, but use a vacuum pump to evacuate the system.
 - If moisture might enter the piping, follow below. (i.e., if doing work during the rainy season, if the actual work takes long enough that condensation may form on the inside of the pipes, if rain might enter the pipes during work, etc.)
 - After operating the vacuum pump for 2 hours, pressurize to 0.05 MPa (i.e., vacuum breakdown) with nitrogen gas, then depressurize down to -100.7kPa (-755mmHg) for an hour using the vacuum pump (vacuum process).
 - If the pressure does not reach -100.7kPa (-755mmHg) even after depressurizing for at least 2 hours, repeat the vacuum breakdown - vacuum process.
- After vacuum process, maintain the vacuum for an hour and make sure the pressure does not rise by monitoring with a vacuum gauge.

Evacuation procedure

- Remove the blank caps of the gas pipe and liquid pipe and check that the valves are closed.
- Remove the charging port cap.
- Connect a vacuum pump and a pressure gauge to a charging hose and connect it to the charging port.
- Activate the vacuum pump and vacuum the indoor unit and connection piping until the pressure gauge becomes -100.7kPa (-755mmHg). Evacuate from both the gas pipe and the liquid pipe.
- Continue evacuating the system for 1 hour after the pressure gauge reads -100.7kPa (-755mmHg).
- Remove the charging hose and reinstall the charging port cap.

Table. A

Pipe	3-way valve	Blank cap	Charging port cap
Liquid valve	7.0 to 9.0 N·m (70 to 90 kgf·cm)	20.0 to 25.0 N·m (200 to 250 kgf·cm)	12.5 to 16.0 N·m (125 to 160 kgf·cm)
Gas valve	11.0 to 13.0 N·m (110 to 130 kgf·cm)	30.0 to 35.0 N·m (300 to 350 kgf·cm)	12.5 to 16.0 N·m (125 to 160 kgf·cm)

Fig. A Connection system

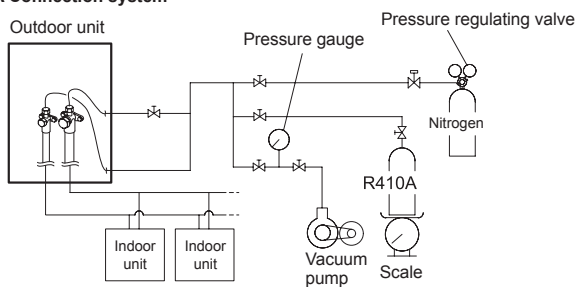
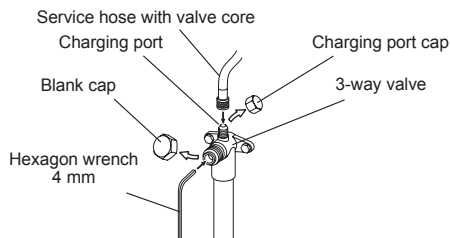


Fig. B



6. ELECTRICAL WIRING

⚠ WARNING

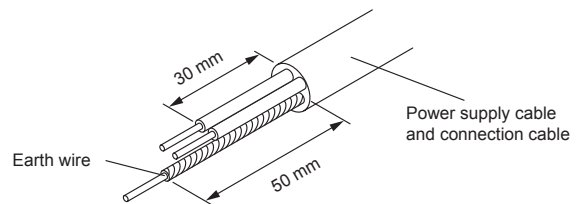
- Wiring connections must be performed by a qualified person in accordance with specifications.
- The rated supply of this product is 50 Hz, 230 V. Use a voltage within the range of 198-264 V.
- Before connecting the wires, make sure the power supply is OFF.
- When installing this system in high humidity locations, install using ground fault equipment breakers (often referred to in other countries as an ELCB [earth leakage current breaker]) to reduce the risk of leaking current which may result in electric shock or potential fire.
- Be sure to install a breaker of the specified capacity. When selecting breaker, please comply with the laws and the regulations of each country. One breaker must be installed on the power supply of the outdoor unit. Wrong selection and setup of the breaker will cause electric shock or fire.
- Do not connect AC power supply to the transmission line terminal board. Improper wiring can damage the entire system.
- Connect the connector cord securely to the terminal. Faulty installation can cause a fire.
- Make sure to secure the insulation portion of the connector cable with the cord clamp. A damaged insulation can cause a short circuit.
- Never install a power factor improvement condenser. Instead of improving the power factor, the condenser may overheat.
- CAUTION-Risk of Electric Shock
Before servicing the unit, turn the power supply switch OFF. Then, do not touch electric parts for 10 minutes due to the risk of electric shock.
- Make sure to perform grounding work. Improper grounding work can cause electric shocks.

⚠ CAUTION

- The primary power supply capacity is for the air conditioner itself, and does not include the concurrent use of other devices.
- Do not use crossover power supply wiring for the outdoor unit.
- If the electrical power is inadequate, contact your electric power company.
- Install a breaker in a location that is not exposed to high temperatures. If the temperature surrounding the breaker is too high, the amperage at which the breaker cuts out may decrease.
- We suggest installing ELCB [Earth Leakage Circuit Breaker] or follow local electrical code.
- This system uses an inverter, which means that when used with a ground fault breaker you must use breakers that can handle harmonics such as a ELCB (30 mA or greater) in order to prevent malfunctioning of ground fault device.
- When the electrical switchboard is installed outdoors, place it under lock and key so that it is not easily accessible.
- Do not fasten the power supply cable and connection cable together.
- Always keep to the maximum length of the connection cable. Exceeding the maximum length may lead to erroneous operation.
- The static electricity that is charged to the human body can damage the control PC Board when handling the control PC Board for address setting, etc. Please keep caution to the following points.
- Provide the grounding of Indoor unit, Outdoor unit and Option equipment.
- Cut off the power supply (breaker).
- Touch the metal section (such as the unpainted control box section) of the indoor or outdoor unit for more than 10 seconds. Discharge the static electricity in your body.
- Never touch the component terminal or pattern on the PC Board.

6.1. Notes for electrical wiring

- When stripping off the coating of a lead wire, always use a special tool such as a wire stripper. If there is no special tool available, carefully strip the coating with a knife etc.

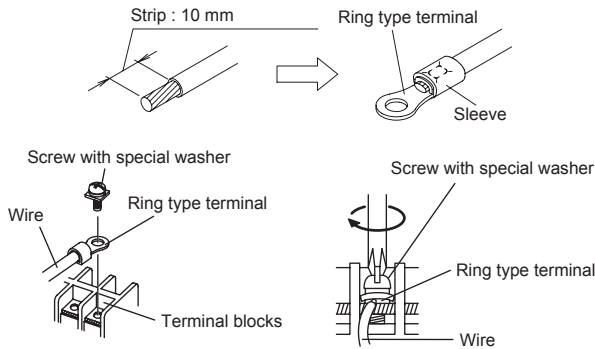


How to connect wiring to the terminal

Caution when wiring cable

- Use ring type terminals with insulating sleeves as shown in the figure to connect to the terminal block.

- (2) Securely clamp the ring type terminals to the wires using an appropriate tool so that the wires do not come loose.
- (3) Use the specified wires, connect them securely, and fasten them so that there is no stress placed on the terminals.
- (4) Use an appropriate screwdriver to tighten the terminal screws. Do not use a screwdriver that is too small, otherwise, the screw heads may be damaged and prevent the screws from being properly tightened.
- (5) Do not tighten the terminal screws too much, otherwise, the screws may break.
- (6) See the table below for the terminal screw tightening torques.

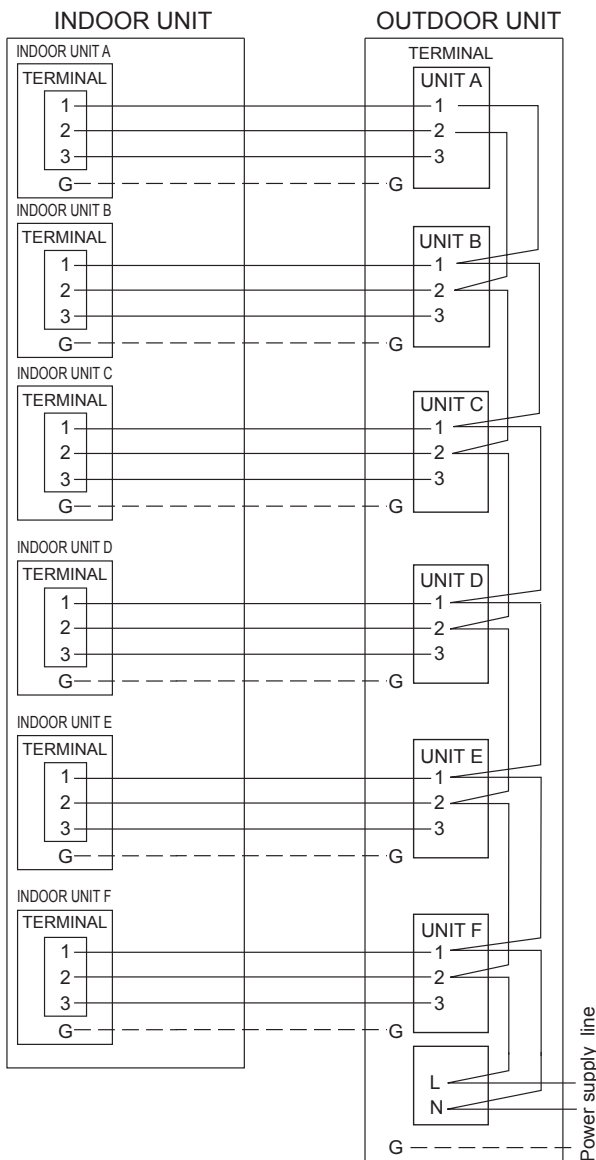


Tightening torque [N·m (kgf·cm)]	
M4 screw	1.2 to 1.8 (120 to 180)
M5 screw	2.0 to 3.0 (200 to 300)

6.2. Connection diagrams

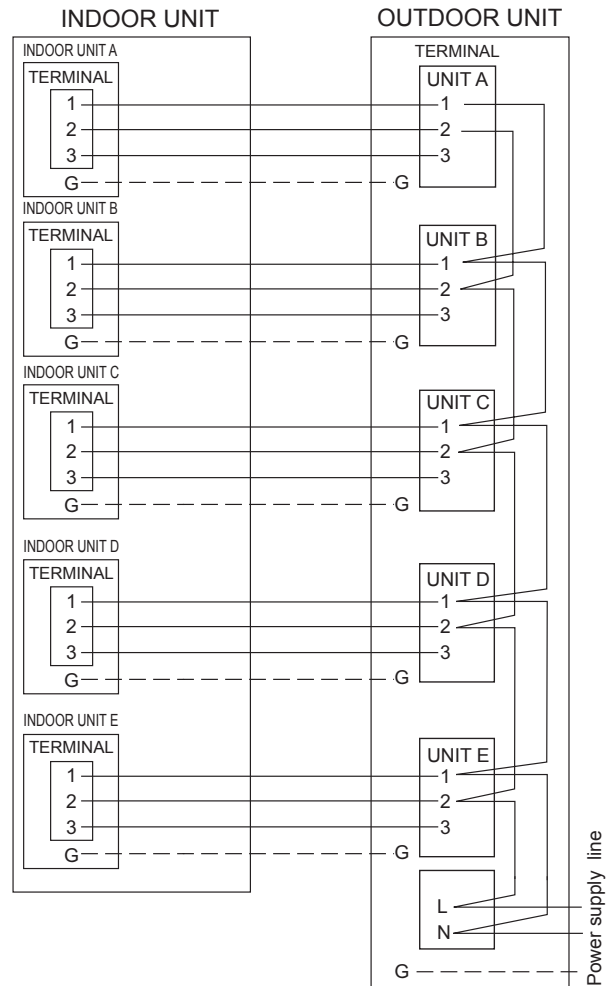
45 type

1,2: Power Line
3: Control Line
G: Grounding line



36 type

1,2: Power Line
3: Control Line
G: Grounding line



CAUTION

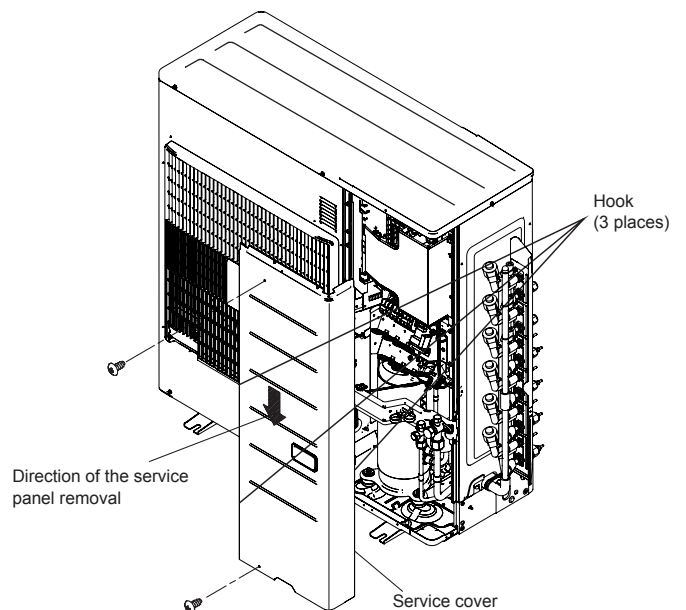
Be sure to refer the preceding diagram and do the correct field wiring. Wrong wiring causes malfunction of the unit.

Check local electrical codes and also any specific wiring instructions or limitation.

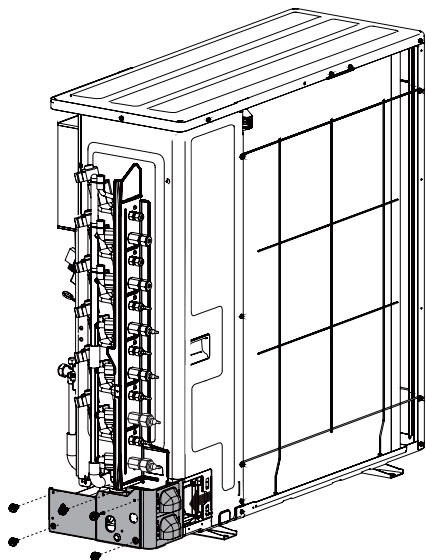
6.3. Wiring method

(1) Service cover removal

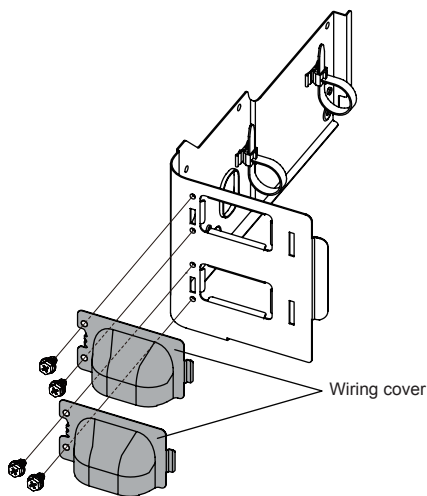
- Remove the two mounting screws.
- Remove the service cover by pushing downwards.



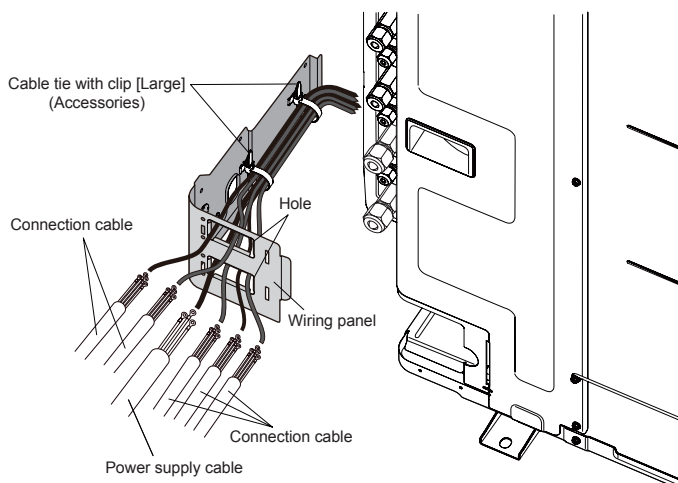
- (2) Wiring panel removal
- Remove the five mounting screws.
 - Remove the wiring panel.



- (3) Wiring cover removal
- Remove the four mounting screws.
 - Remove the wiring cover.



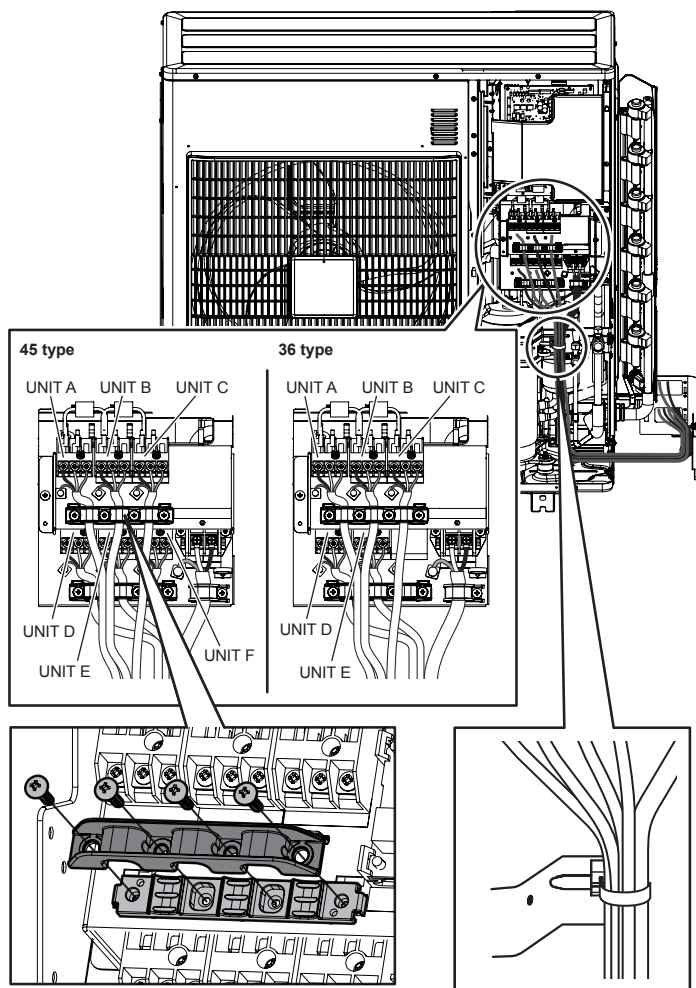
- (4) Put the connection cable through in the hole at the top and at the bottom.
(Put the power supply cable through the bottom hole.)



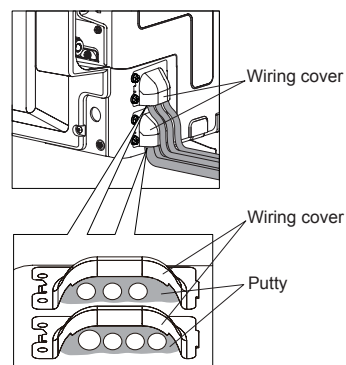
Number of indoor unit	Hole	Connection cable	Power supply cable
6	Top	3	—
	Bottom	3	1
5	Top	2	—
	Bottom	3	1

- (5) Connect the power supply cable and the connection cable to terminal.
(6) Fasten the power supply cable and connection cable with cable clamp.

45/36 type



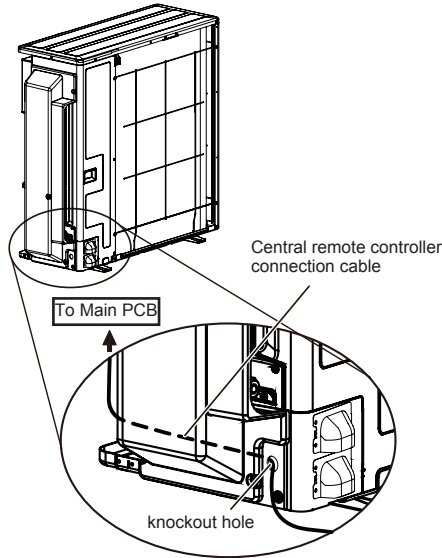
- (7) Be sure to seal the holes when applying the putty.
Place the cables side by side. (Do not overlap the cables.)



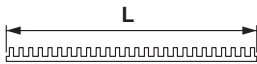
6.4. Connecting the Central remote controller (Option)

(1) When connecting the Central remote controller (Option), please use the outdoor unit side knockout hole (Ø22.2 mm diameter).

- Please ensure that there are no gaps in the Knockout hole.

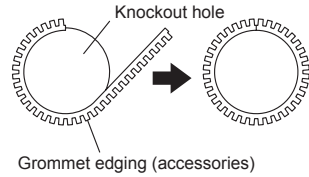


Length of the grommet edging



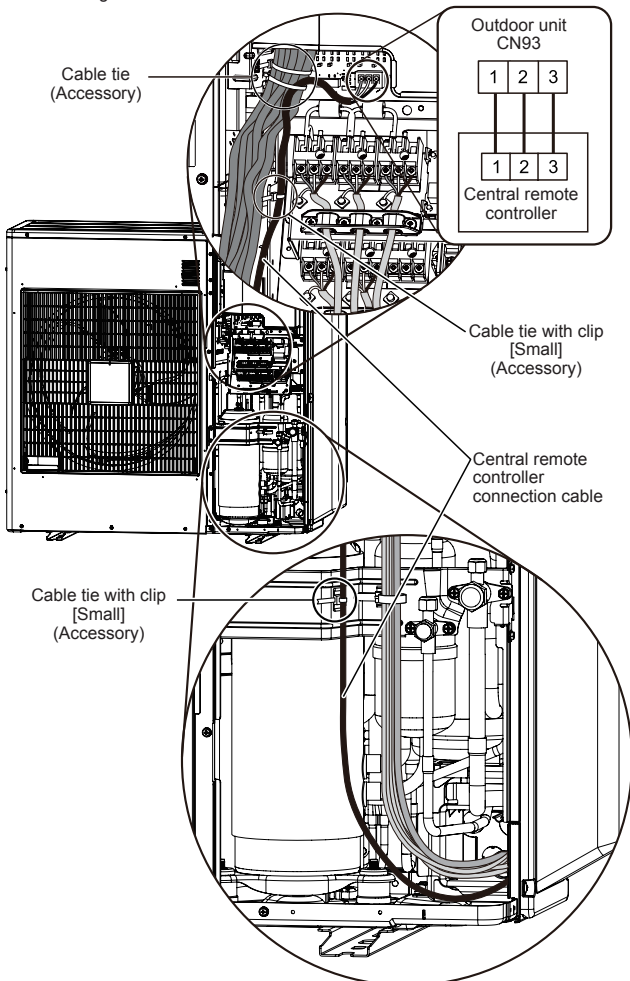
Knockout hole diameter (mm)	Dimension L (mm)
Ø 22.2	60

Mounting the grommet edging



(2) Fix the Connection cable with 2 cable ties with clip and 1 cable tie as shown in the diagram below, and connect it to the prescribed terminal of the Main PCB.

- Fix the Central remote controller connection cable with Cable tie together with the bundle of wiring.



7. HOW TO OPERATE DISPLAY UNIT

7.1. Various setting methods

⚠ WARNING

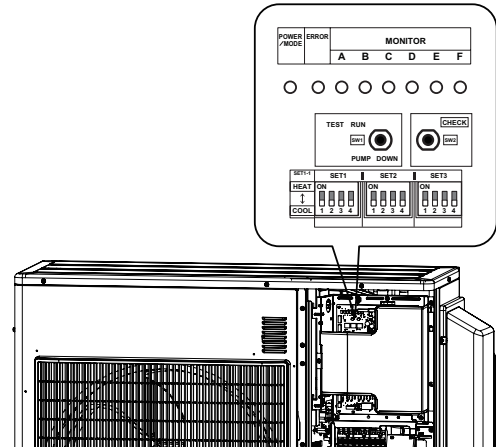
Never touch electrical components such as the terminal blocks or reactor except the switch on the display board. It may cause a serious accident such as electric shock.

⚠ CAUTION

Once refrigerant charging is completed, be sure to open the valve prior to performing the local settings. Otherwise, the compressor may fail.

Discharge any static electricity from your body before touching the push switches. Never touch any terminal or pattern of any parts on the control board.

- The positions of the switches on the outdoor unit control board are shown in the figure below.



7.1.1. Setting method

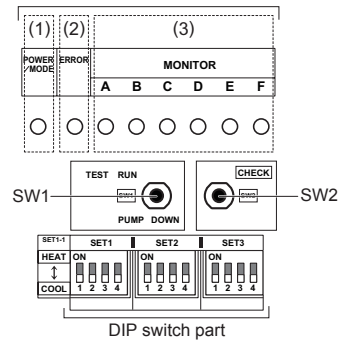
(1) Be sure to disconnect the power source or turn off the breaker.

(2) Change the DIP switch setting according to the required setting.

- Various settings can be adjusted by changing DIP switches and push switches on the board of the outdoor unit.

- The printed characters for the LED display are shown below.

LED display part



7.1.2. Description of display

LED display lamp		Function or operation method	
(1)	POWER/MODE	Green	<ul style="list-style-type: none"> • Turns on when the power supply is ON (Including when error occurs). • Indicate the MODE by the number of flashes when the installation function is active.
(2)	ERROR	Red	<ul style="list-style-type: none"> • Flashes at high-speed when there is an error.
(3)	MONITOR	A	<ul style="list-style-type: none"> • Displays the location and contents of errors when there is an error. (Refer to 10. ERROR CODE for details.) • Displays when check run is activated. (Refer to 8. CHECK RUN for details.)
		B	
		C	
		D	
		E	
		F	

Switch		Function or operation method	Factory setting
SW1	Push	<ul style="list-style-type: none"> For the test run start and stop. For the pump down start and stop. 	—
SW2	Push	<ul style="list-style-type: none"> For when check run function is activated. For displaying the check run. For resetting the Automatic wiring correction memory. 	—
SET1-1	DIP	For selecting cooling or heating during test operation.	OFF
SET1-2	DIP	For switching SW1 operation.	OFF
SET1-3	DIP	(Setting prohibited)	OFF (Do not change)
SET1-4	DIP	(Setting prohibited)	OFF (Do not change)
SET2-1	DIP	<ul style="list-style-type: none"> For selecting outdoor unit low noise operation function. To use this function, the Central remote controller (option) is necessary. 	OFF
SET2-2	DIP	(Setting prohibited)	OFF (Do not change)
SET2-3	DIP	Changing the current limit	OFF
SET2-4	DIP		
SET3-1	DIP	(Setting prohibited)	OFF (Do not change)
SET3-2	DIP	(Setting prohibited)	OFF (Do not change)
SET3-3	DIP	(Setting prohibited)	OFF (Do not change)
SET3-4	DIP	(Setting prohibited)	OFF (Do not change)

Be sure to disconnect the power source or turn off the breaker when changing the DIP switch.

7. 2. Outdoor unit low noise operation function (option)

⚠ CAUTION

When the low noise operation function is working, cooling and heating capacity will decrease.

When changing the settings, please explain to the customer beforehand that the capacity decreases.

Change the Outdoor unit low noise operation by using this setting. The Central remote controller (option) is necessary to use this function.

SET2-1	Setting
ON	Lower
OFF	Low

7. 3. Changing the current limit function

⚠ CAUTION

When the current limit function is working, cooling and heating capacity will decrease.

When changing the settings, please explain to the customer beforehand that the capacity decreases.

Change the Outdoor unit current limit function by using this setting.

SET2-3	SET2-4	36 type	45 type
OFF	OFF	Full	
ON	OFF	16.5 A	20.5 A
OFF	ON	13.0 A	16.5 A

8. CHECK RUN

- The check run is a function to screen and detect any wiring errors.
- After carrying out the check run, you can use the Automatic wiring correction function to correct the wiring.
- * Normal operation is possible without using the check run. In this case, use the test run or forced cooling function of the indoor unit to confirm any wiring errors.

8. 1. Things to confirm before starting the check run.

To ensure safety, check that the following work, inspections and operations have been completed.

Check Item	Check Column
① Check that all work on the piping connecting the outdoor unit, indoor units has been completed	
② Check that all work on the wiring connecting the outdoor unit, indoor units has been completed	
③ Is there a gas leakage? [At pipe connections (flange connections and brazed areas)]	
④ Is the system charged with the specified volume of refrigerant?	
⑤ Is a breaker installed at the power supply cable of outdoor unit?	
⑥ Are the wires connected to the terminals without looseness, and in accordance with the specifications?	
⑦ Is the 3-way valve of the outdoor unit open? (Gas pipe and liquid pipe)	
⑧ Is the power supply connected for more than 12 hours?	

8. 2. Restrictions applicable when performing the check run

- When the check run starts, all indoor units connected to the outdoor unit will start to run automatically. During the check run, you cannot check the operation of the indoor units separately. After the check run, check the operation of the indoor units separately in normal operation.
- The check run can be used when the temperature is within the operable temperature of the air conditioner.
- In the check run, the air conditioner will automatically switch between cooling and heating depending on the external temperature and internal temperature.
- The check run can be completed in about 30 minutes (cooling) or about 1 hour (heating), but may take more depending on the external and internal temperature conditions etc.
- Please do not conduct the check run with all the windows in the room closed. Otherwise the room temperature could get too low or too high.
- Depending on the difference of the room temperature of each room, a judgment may be impossible.
- Check run is a special operation so there may be a noise louder than the normal refrigerant noise or a creaking noise.

8.3. Operating procedure for check run

⚠ CAUTION

Initiate check run after more than 12 hours after the power source is connected.

NOTE:

Be sure that the indoor unit and outdoor unit are not operating before starting the check run.

- Press the "CHECK" switch for 3 seconds or more.



- The number of indoor units (and the places) connected through the communication lines is displayed.
 - If the displayed number of units (places) and the installed number of units (places) is the same, proceed to step (3).
 - If the displayed number of units (places) and the installed number of units (places) is not the same, shut off the power and check whether the indoor and outdoor communication lines are properly connected.
 - If there is no operation for 1 minute, the LED will return to the original display. (POWER/MODE LED: ON)

- Press the "CHECK" switch for 3 seconds or more again. Check run is initiated.
 - When check run is initiated, all LEDs from A to F will flash. (Preliminary operation)
 - The LED for each indoor unit will switch off in order as check for each unit is completed.

NOTE:

To interrupt the check run, press the "CHECK" switch.

Example) When 4 indoor units (A to D) are connected

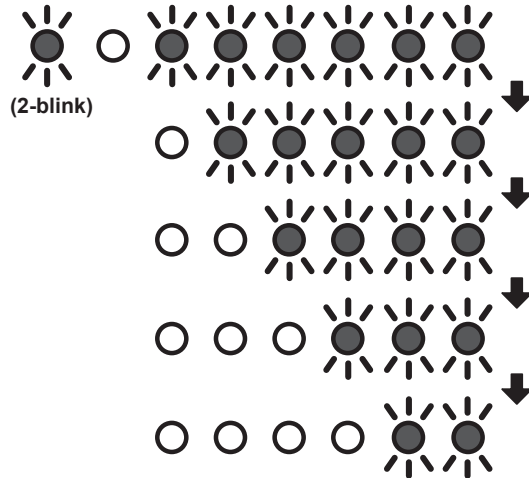
POWER /MODE	ERROR	MONITOR					
		A	B	C	D	E	F



(2-blink)

Example) When 4 indoor units (A to D) are connected

POWER /MODE	ERROR	MONITOR					
		A	B	C	D	E	F



- After the check run is complete, results will be displayed. Please fill the displayed results in the result table accordingly.

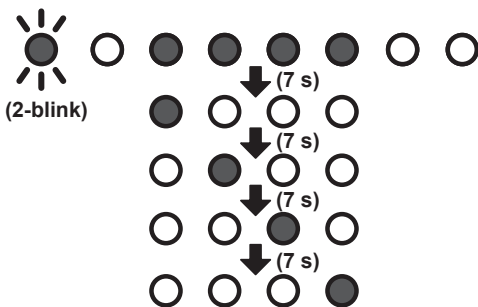
NOTES:

- Automatic wiring correction will not be completed if the power is turned off while displaying the results. To confirm the automatic wiring correction, be sure to carry out step (5).
- If frost is formed on the outdoor unit while displaying the results, Automatic defrost function will operate. Proceed to step (5) after the defrost function is finished.

If the connection is correct [(Example) When 4 indoor units are connected]

- After the number of connected units are displayed, the LED for each unit will light up in order from A to D.

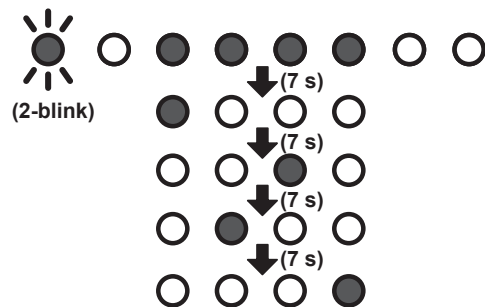
POWER /MODE	ERROR	MONITOR					
		A	B	C	D	E	F



If the connection is incorrect [(Example) When connection of B and C of the 4 units are reversed]

- After the number of connected units are displayed, B and C will light up in reverse.

POWER /MODE	ERROR	MONITOR					
		A	B	C	D	E	F



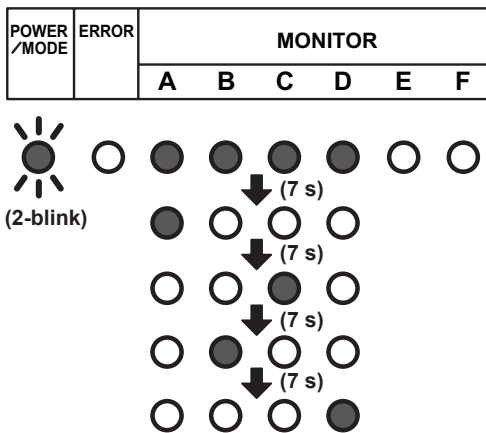
[How to record the contents]

• Please fill the displayed results according to the following example.

Example 1) When piping A to D is connected but the wires for B and C are connected in reverse.

<Displayed results>

The LEDs will light up in 7 second intervals in the following order.



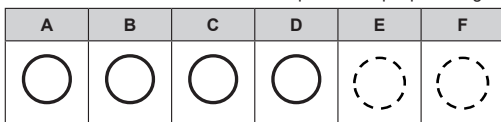
<Example of result table>

(a) Please write a ● where the LEDs light up in the order that they light up.

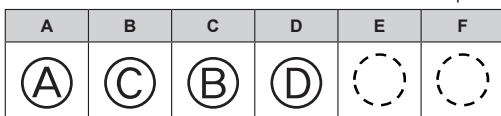
	A	B	C	D	E	F
1	●	●	●	●	○	○
2	●	○	○	○	○	○
3	○	○	●	○	○	○
4	○	●	○	○	○	○
5	○	○	○	●	○	○
6	○	○	○	○	○	○
7	○	○	○	○	○	○

(b) Based on the results of step (a), please record as follows.

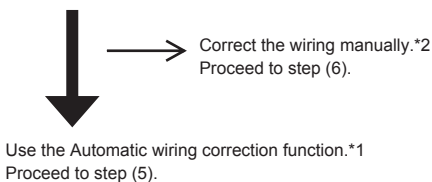
• Please trace the dotted circle with a pen if multiple places light up.



• Please write the order from A to D in which the LEDs lit up inside the circle.



(c) Select the correction method.



Please write down the same results in the label on the reverse side of the service panel.

The results recorded are needed at the time of servicing.

(5) During results display, press the "CHECK" switch for 3 seconds or more.

• After LEDs A to F have lit in turn, all LEDs will light up indicating that the automatic wiring correction is completed.

(6) Disconnect the power supply or turn off the breaker and wait 10 minutes then turn the power back on and perform test run.

NOTE:

• If you do not disconnect the power supply or turn off the breaker, normal operation is not possible.

Others

- If an error occurs during check run it will be suspended. Please correct the error and start check run again.
- After the check run, if automatic wiring correction is carried out, the indoor unit's position will be modified to match the piping. (Please note that the display of the optional remote controller changes.)
- If you start check run again after the automatic wiring correction is finished, the modification will be reset.

<Result Table>

	A	B	C	D	E	F
1	○	○	○	○	○	○
2	○	○	○	○	○	○
3	○	○	○	○	○	○
4	○	○	○	○	○	○
5	○	○	○	○	○	○
6	○	○	○	○	○	○
7	○	○	○	○	○	○

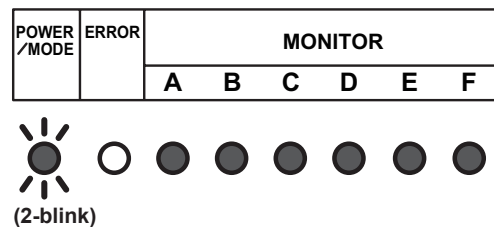
A	B	C	D	E	F
○	○	○	○	○	○

NOTES:

*1: By using this function, the wiring is automatically corrected according to the piping.

*2: When correcting the wiring manually, please disconnect the power supply or turn off the breaker during results display, and then change the wiring manually according to the obtained test results.

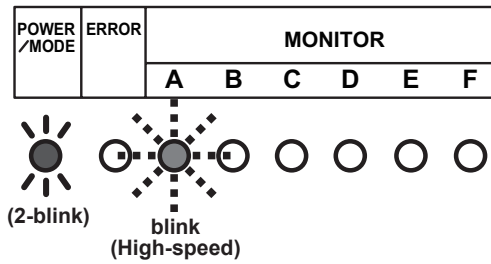
For example, in Example 1, the wirings connected to the terminals B and C is to be exchanged manually.



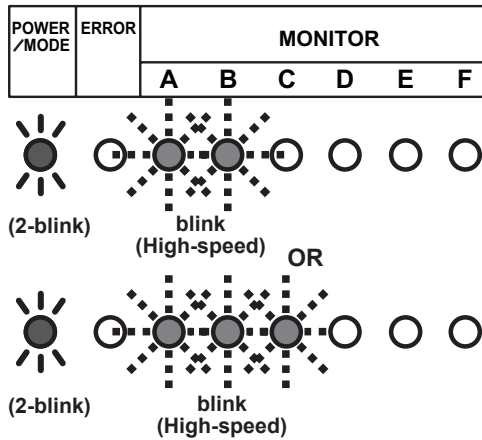
8.4. Check run judgment failure display

- If check run cannot be performed, the following is displayed. In this case, the check run will stop. Please check by using the cooling test run of the indoor unit.

8.4.1. Temperature out of range judgment



8.4.2. Wiring / piping number difference



8.5. Re-display check run results

- If you wish to check the automatic wiring correction contents, by briefly pressing the "CHECK" switch, the check run results is displayed. Please check the check run results by referring to the result table in step (4) of "8.3. Operating procedure for check run".
- If the automatic wiring correction contents has not been done, the POWER/MODE LED will blink twice and the MONITOR LED will turn off.

8.6. Automatic wiring correction memory reset

CAUTION

When relocating the unit, reset the memory beforehand, or the unit may not function normally.

- Press the "CHECK" switch.
The LED will light as shown in "8.5 Re-display check run results".
- Press the "CHECK" switch for more than 3 seconds when the LED is on.
- The LEDs from A to F will light in sequence, and then all LEDs will light to indicate the completion of the Automatic wiring correction memory reset.
- Disconnect the power supply or turn off the breaker.

9. TEST RUN

CAUTION

Always connect the power supply 12 hours prior to the start of the operation in order to protect the compressor.

(1) Indoor unit

- Is the drain normal?
- Is there any abnormal noise and vibration during operation?

(2) Outdoor unit

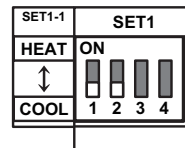
- Is there any abnormal noise and vibration during operation?
- Will noise, wind, or drain water from the unit disturb the neighbors?
- Is there any gas leakage?

- Do not operate the air conditioner in the test running state for a long time.
- For the operation method of the test run for indoor unit and central remote controller, refer to the operating manual and perform operation check.

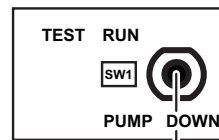
9.1. TEST RUN method

Be sure to temporarily disconnect the power supply or turn off the breaker before changing the DIP switch settings.

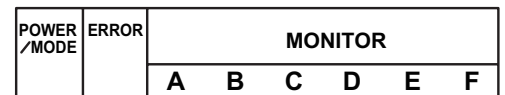
- Check the 3-way valves (both at the liquid side and gas side) are opened. Please confirm that the DIP switch SET1-2 is switched OFF.
- Set the operation mode to "COOL" or "HEAT". If you wish to change the DIP switch SET1-1 to "HEAT", please switch it after temporarily disconnecting the power supply or turning off the breaker switching the power off.



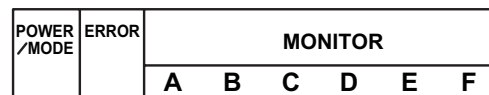
- In the first test run, be sure to set the operation mode to "COOL".
 - The operation mode cannot be switched between "COOL" and "HEAT" during the test run. To switch the operation mode between "COOL" and "HEAT", stop the test run, switch the operation mode, and then start the test run again.
- Press "TEST RUN" switch for more than 3 seconds.
The POWER / MODE LED flashes once.



SW1



- Confirm operating status.
- Press "TEST RUN" switch for more than 3 seconds.



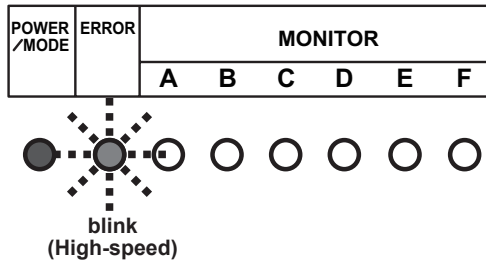
POWER/MODE LED will turn on, and test run stops.

10. ERROR CODE

- If an error occurs, the LED will light up to display the error location and the error code.

10. 1. In the event of an error

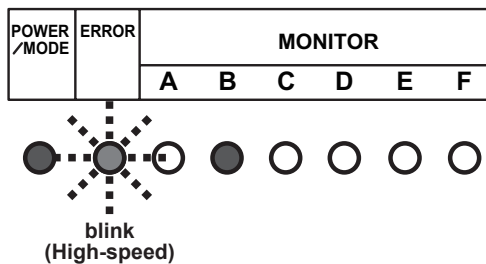
- The error LED flashes quickly.



10. 2. Error location display

- LEDs A to F of MONITOR light up and display the error location. In the case of an overall error, LEDs A to F of MONITOR do not light up.

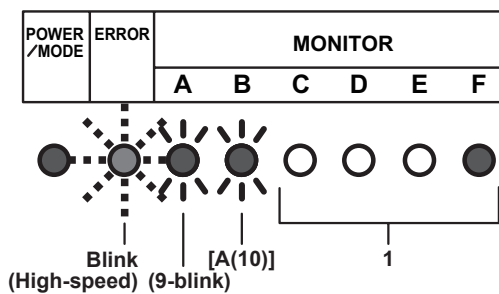
Example) Coil error in indoor unit B



10. 3. Error code display

- While the error is occurring, please briefly press SW1. The error code is displayed.

Example) Coil error (Error cord = 9A.1)



Display mode

LED on: ●

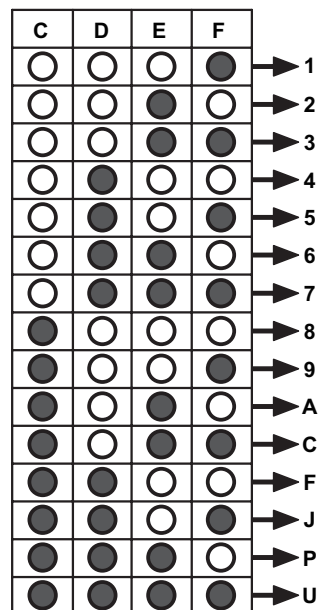
LED off: ○

Blink: 
(0.5s Light on / 0.5s Light off)

Number of blinking: ()

For MONITOR (A and B)

- A: 10-Blink
- C: 11-Blink
- F: 12-Blink
- J: 13-Blink
- P: 14-Blink
- U: 15-Blink



Error code	Error type
11.3	Serial communication error
11.4	Serial communication error during operation
16.5	Communication error between controller and outdoor unit
22.1	Indoor unit capacity error
5U.1	Indoor unit error
62.1	PCB model information error
62.3	EEPROM access error
62.8	EEPROM data corruption error
63.1	Inverter error
65.3	IPM error (Trip terminal L error)
71.1	Discharge temp. sensor error
72.1	Compressor temp. sensor error
73.2	Heat ex. middle temp. sensor error
73.3	Heat ex. out temp. sensor error
74.1	Outdoor temp. sensor error
75.1	Suction gas temp. sensor error
76.1	Valve sensor error
76.2	
77.1	Heat sink temp. sensor error
84.1	Current sensor 1 error (stoppage permanently)
86.1	Discharge pressure sensor error
86.4	High pressure switch 1 error
94.1	Trip detection
95.1	Compressor motor control error (stoppage permanently)
97.3	Fan motor 1 error (Duty error)
98.3	Fan motor 2 error (Duty error)
99.1	4-way valve error
9A.1	Coil 1 (expansion valve 1) error
A1.1	Discharge temperature 1 error (stoppage permanently)
A3.1	Compressor 1 temperature error

11. PUMP DOWN

⚠ WARNING

During the pump down operation, make sure that compressor is off before you remove the refrigerant piping. Do not remove the connection pipe while the compressor is in operation with valve open. This may cause abnormal pressure in the refrigeration cycle that leads to breakage and even injury.

PUMP DOWN OPERATION

When moving or discarding the air conditioner, in order to consider the environment and avoid the discharge of refrigerant to the atmosphere, please pump down according to the following procedure.

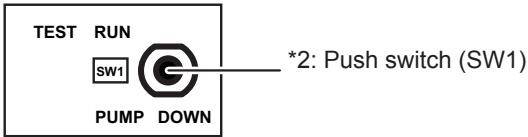
- Connect the pressure gauge to the charging port.
- Change the DIP switch on the board (SET1-2) to ON*1



*1: DIP switch (SET1-2)

*Be sure the power supply is disconnected on the breaker is turned off when changing the DIP switch.

- (3) To start operation, press the [PUMP DOWN] switch*2 for 3 seconds or press after the power has been on for 3 min.



During pump down, the LED (POWER/MODE) will flash 3 times consecutively.

POWER /MODE	ERROR	MONITOR					
		A	B	C	D	E	F



NOTE:

If the [PUMP DOWN] switch is pressed during compressor operation, the compressor will stop, and the operation will start after about 3 min.

- (4) Close the liquid pipe valve.
 (5) When 7.3 psi ~ 0 psi (0.05 MPa ~ 0 MPa) is shown, close the gas pipe valve.
 (6) Stop pump down by pressing the [PUMP DOWN] switch for 3 seconds.
 The LED will light as follows.

POWER /MODE	ERROR	MONITOR					
		A	B	C	D	E	F

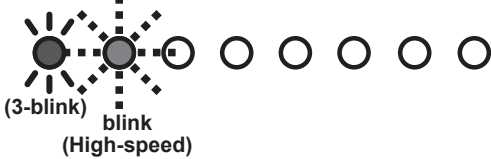


- (7) Disconnect the power supply or turn off the breaker.

NOTES:

- If the pump down is not stopped by pressing the switch as in step (6), it will stop automatically after 15 min. and the LED will light as follows. If the pump down is complete, disconnect the power supply or turn off the breaker. If not completed open the liquid pipe valve, and then start again from step (3).

POWER /MODE	ERROR	MONITOR					
		A	B	C	D	E	F



- In order to interrupt the pump down operation, press the [PUMP DOWN] switch again. The LED will return to the original display before starting pump down. (POWER/MODE LED: On)
- The pump down may stop before completion due to error. To complete the pump down, correct the error, open the liquid pipe valve and then start from step (1) again. Otherwise, the refrigerant can be recovered from the service port.

12. CUSTOMER GUIDANCE

Explain the following to the customer in accordance with the operating manual:

- Starting and stopping method, operation switching, temperature adjustment, timer, airflow adjustment, and other remote control unit operations.
- Air filter removal and cleaning.
- Give the operating manual and installation instruction sheet to the customer.