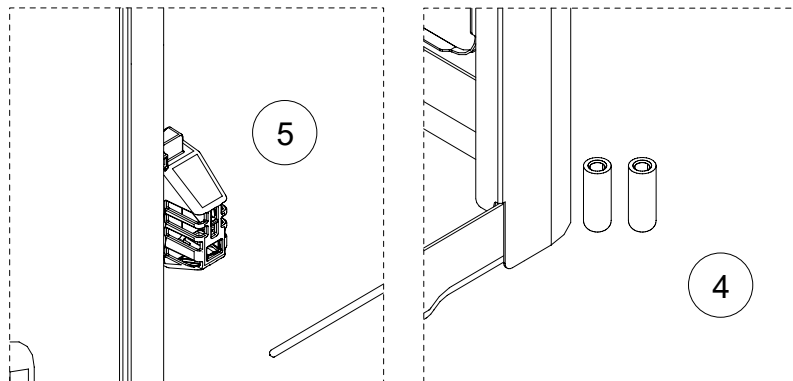
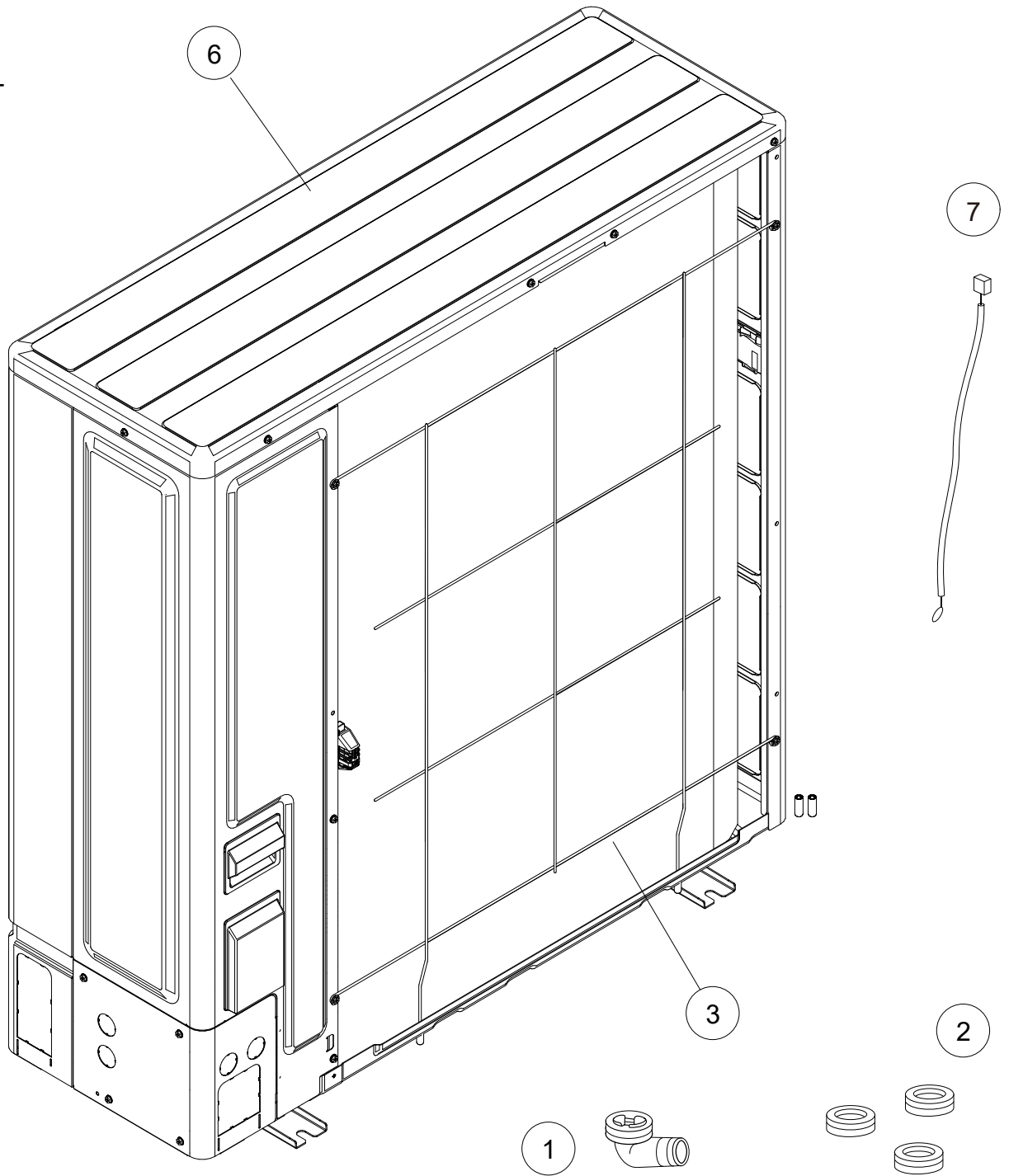


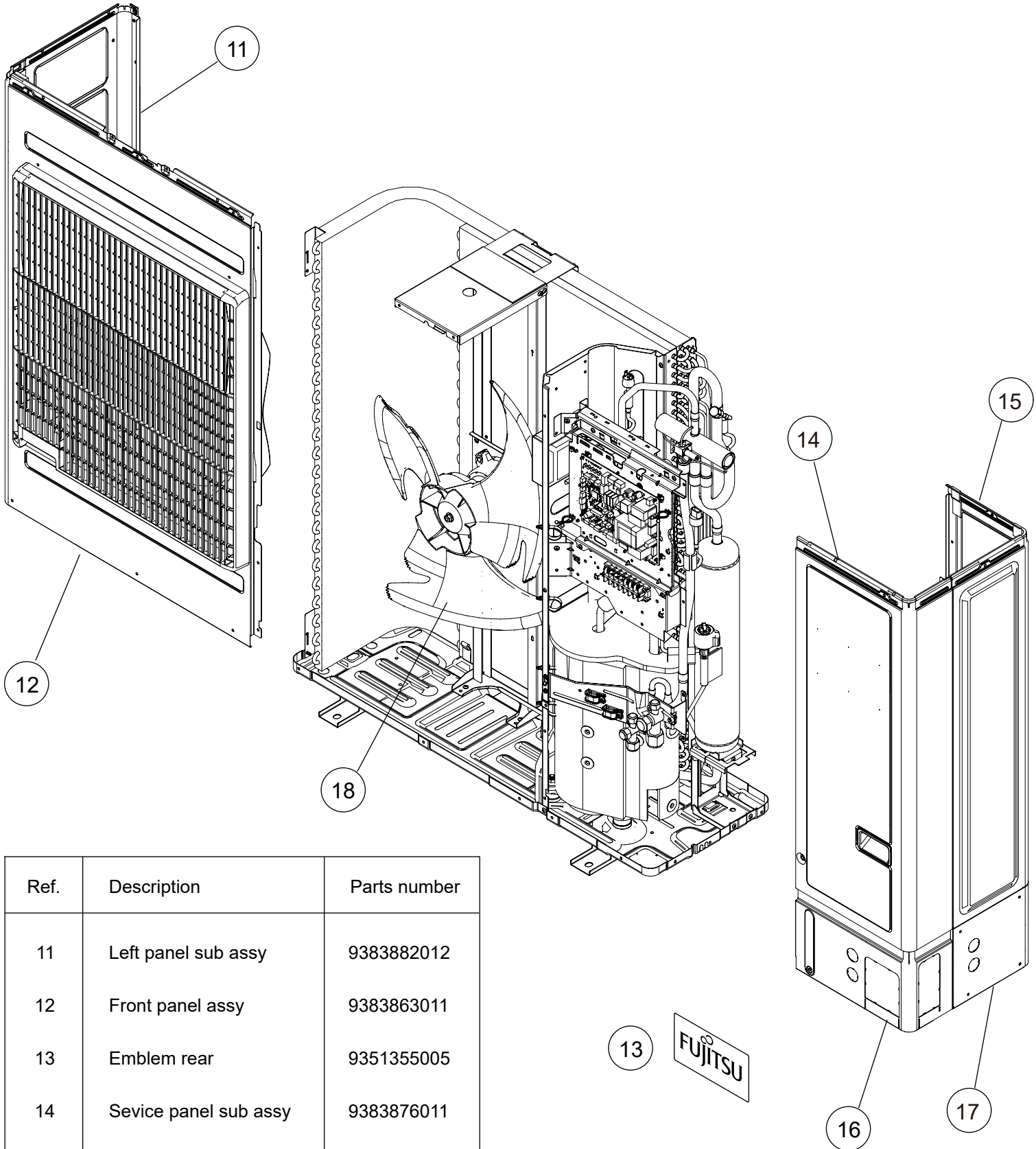
# PARTS

OUTDOOR UNIT  
AOYG45KBTB  
AOYG54KBTB



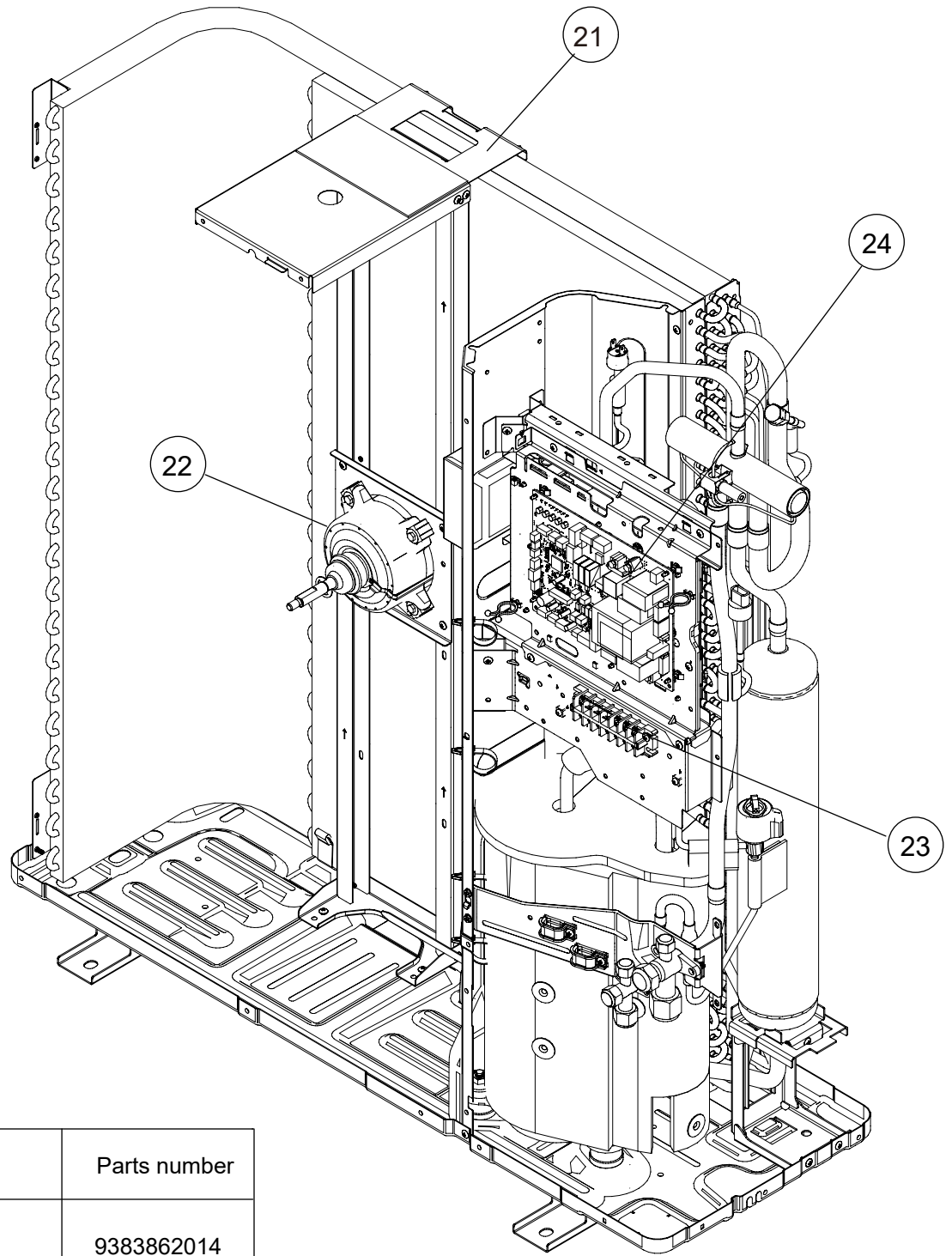
Ref.	Description	Parts number
1	Drain assy	9303029015
2	Drain cap	313166024302
3	Protective net rear	9381013005
4	Rubber (net)	9375361013
5	Thermo holder	9383607004
6	Top panel sub assy	9383880001
7	Outdoor Thermistor	9900565091

OUTDOOR UNIT  
 AOYG45KBTB  
 AOYG54KBTB

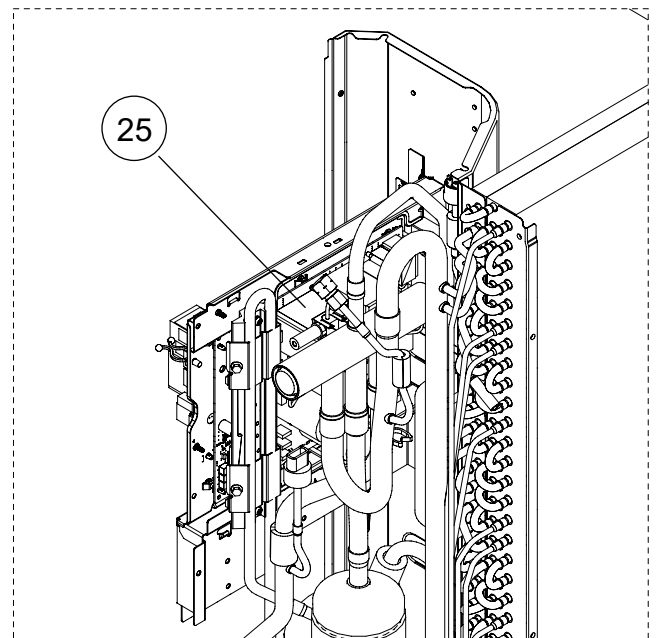


Ref.	Description	Parts number
11	Left panel sub assy	9383882012
12	Front panel assy	9383863011
13	Emblem rear	9351355005
14	Sevice panel sub assy	9383876011
15	Right panel sub assy	9383874017
16	Pipe cover front	9383878008
17	Pipe cover rear	9383879005
18	Propeller fan	9383336003

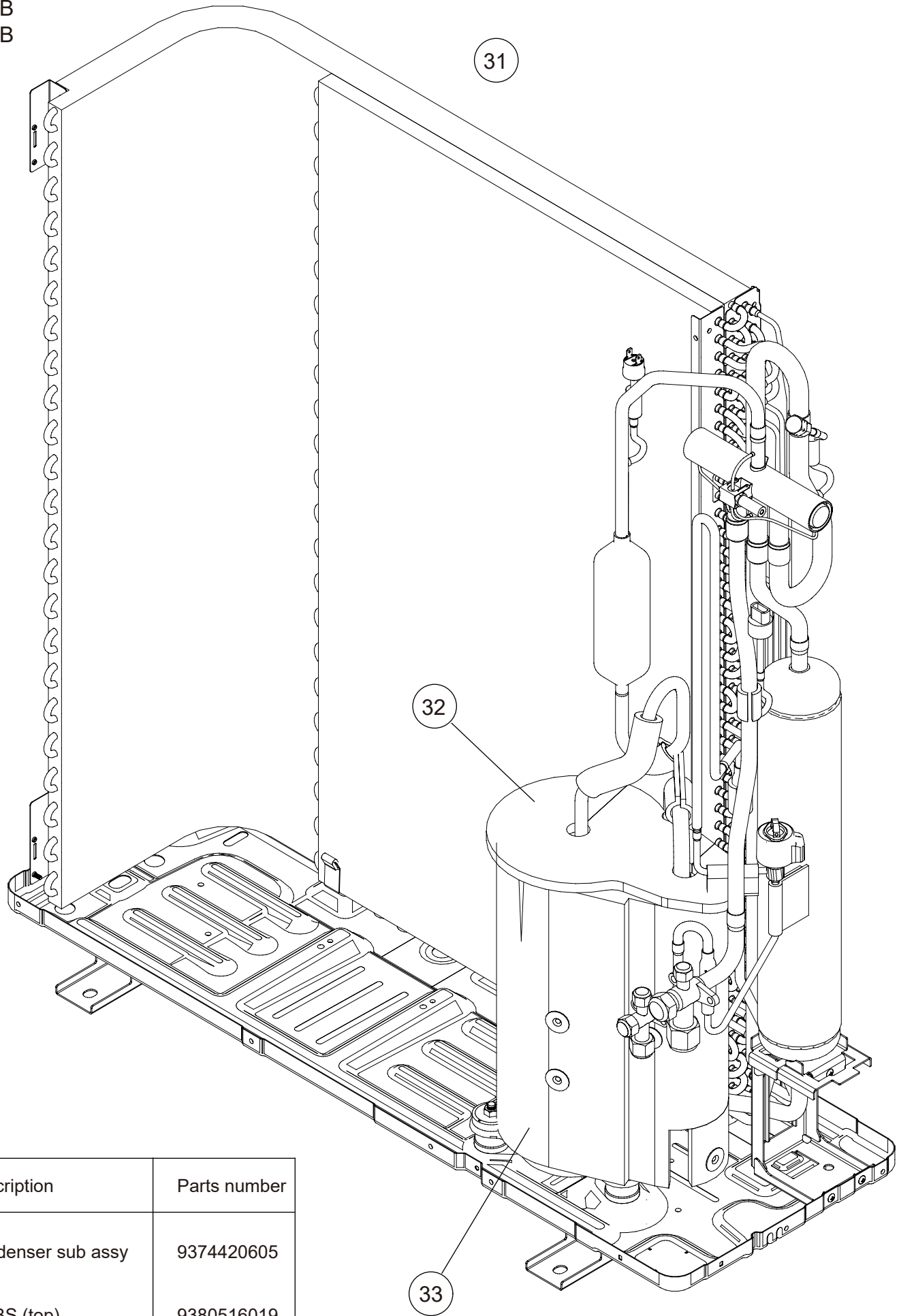
OUTDOOR UNIT  
 AOYG45KBTB  
 AOYG54KBTB



Ref.	Description	Parts number
21	Motor bracket assy	9383862014
22	Motor, DC Brushless	9603733018
23	Terminal 7P	9900203061
24	Main PCB (Service) (45)	9711431028
24	Main PCB (Service) (54)	9711431035
25	Inverter PCB	9711233011
--	Heat ex. thermistor	9900984038
--	Thermistor assy	9900727154
--	Compressor thermistor	9900985028



OUTDOOR UNIT  
 AOYG45KBTB  
 AOYG54KBTB



Ref.	Description	Parts number
31	Condenser sub assy	9374420605
32	S-ABS (top)	9380516019
33	S-ABS (body)	9379647168

OUTDOOR UNIT  
 AOYG45KBTB  
 AOYG54KBTB

Ref.	Description	Parts number
41	Compressor	9810620002
42	Accumulator assy	9375250133
43	Solenoid	9970194016
44	4-way valve assy	9374425624
45	pressure switch	9900186029
46	Sensor	9970158018
47	Expansion valve coil	9970209000
48	Expansion valve assy	9370947311
49	3-way valve assy	9377958037
50	3-way valve assy	9379079013

