

# AOYG54LATT

Please visit our webstore for full product and technical documentation 

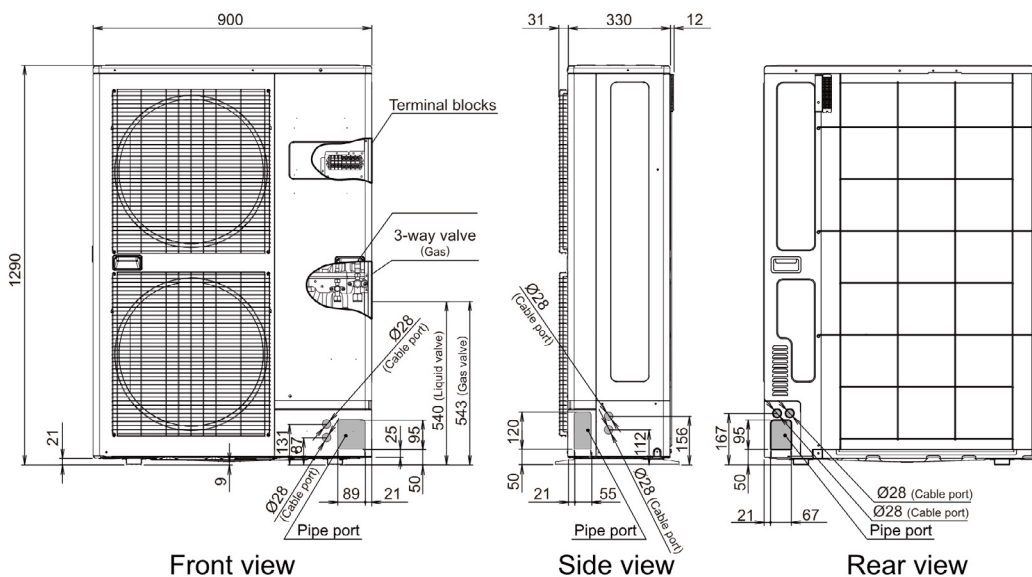
Nominal Cooling Capacity	(kW)	14.0
Nominal Heating Capacity	(kW)	16.0
Height	(mm)	1290
Width	(mm)	900
Depth	(mm)	330
Weight	(kg)	104
Airflow Rate - Cooling - High	(m <sup>3</sup> /h)	6900
Airflow Rate - Heating - High	(m <sup>3</sup> /h)	6900
Sound Pressure Level - Cooling - High	(dB(A))	55
Sound Pressure Level - Heating - High	(dB(A))	56
Refrigerant Type (Global Warming Potential)		R410A (2,088)
Liquid Pipe Size		3/8"
Gas Pipe Size		5/8"
Min - Max Pipe Length	(m)	5 - 75
Max Height Difference	(m)	30
Refrigerant Charge (kg)	(kg)	3.45
Refrigerant CO <sub>2</sub> eq-T		7.204
Precharged For	(m)	30
Additional Charge (g/m)	(g/m)	50
Unit Power Supply		3Ph-400V-50Hz
Suggested Fuse Size	(A)	16
Cooling Mode Minimum Ambient	(°C)	-15
Cooling Mode Maximum Ambient	(°C)	46
Heating Mode Minimum Ambient	(°C)	-15
Heating Mode Maximum Ambient	(°C)	24



### Document Downloads

[Airflow](#)  
[Capacity Correction](#)  
[Dimensional Drawing](#)  
[Inputs & Outputs](#)  
[Installation Manual](#)  
[Noise Curve](#)  
[Product Image](#)  
[Refrigerant Circuit](#)  
[Spare Parts List All Pages](#)

[Specifications](#)  
[Wiring Diagram](#)



Units: mm

\*Specifications and design are subject to change without notice for further improvement.

\*Actual products' colors may be different from the colors shown in this printed material.