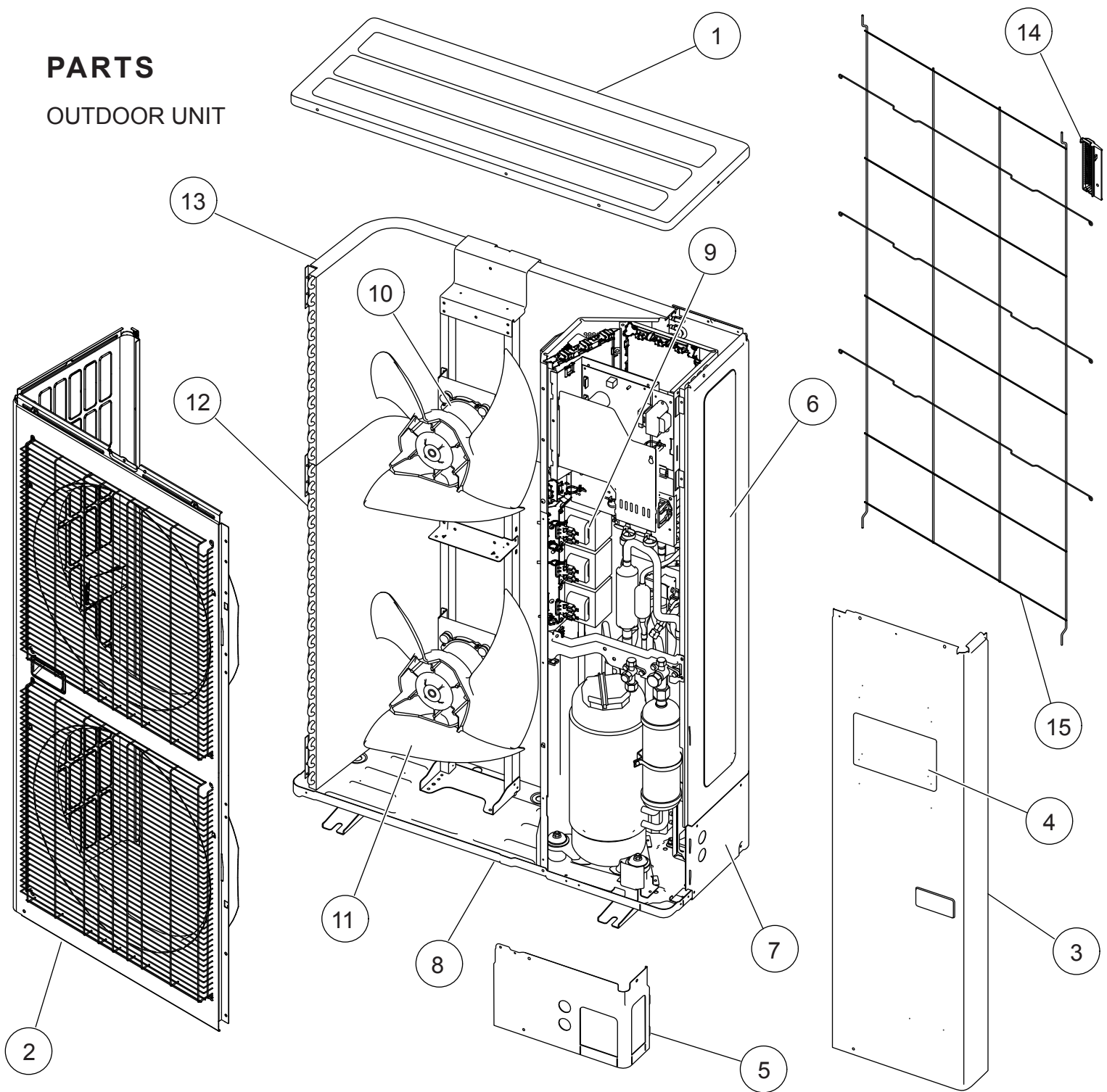


PARTS

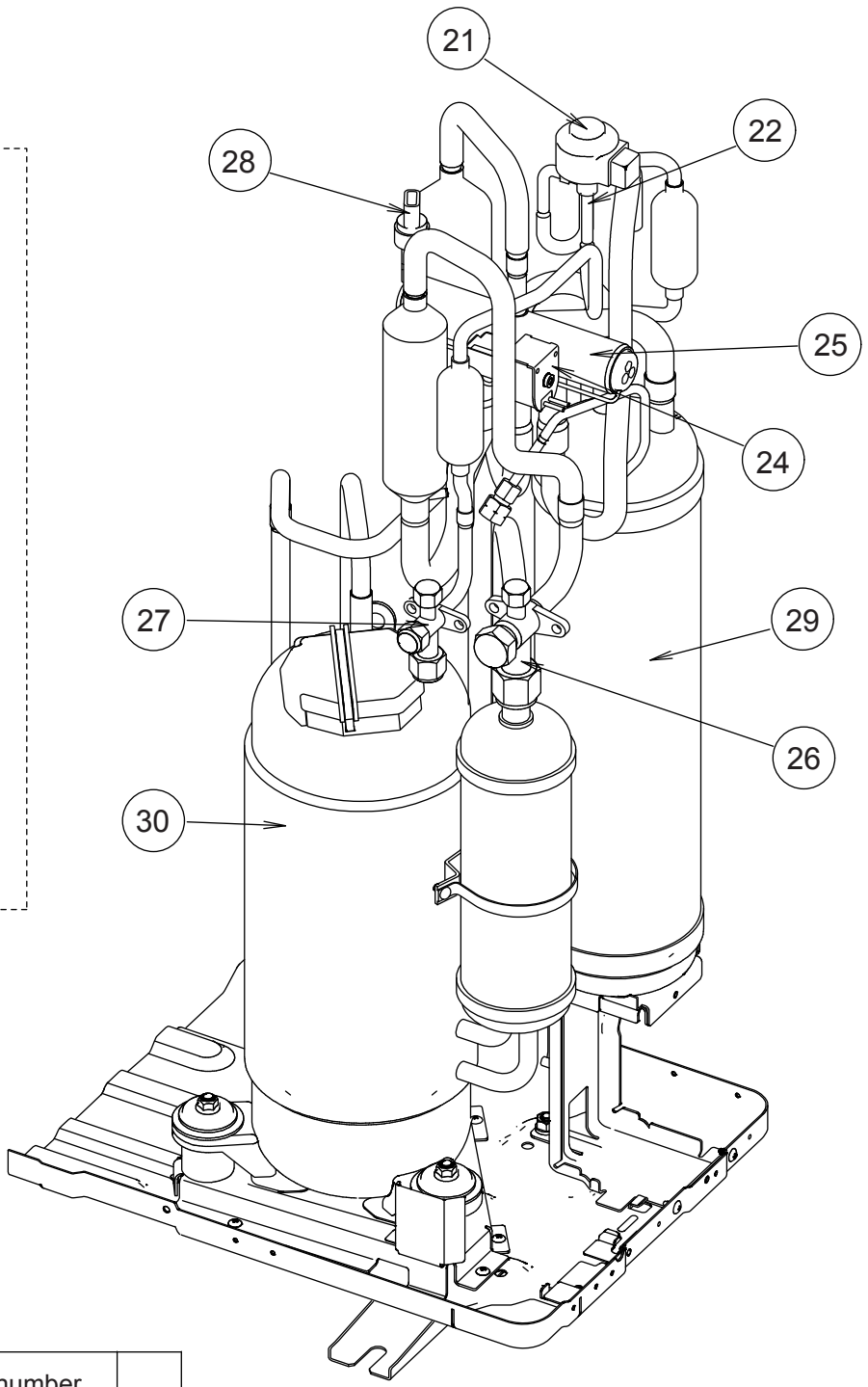
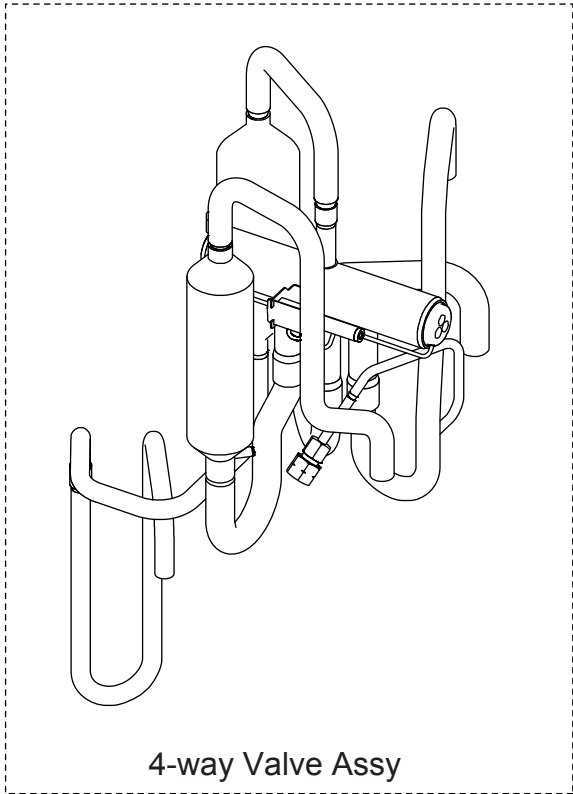
OUTDOOR UNIT



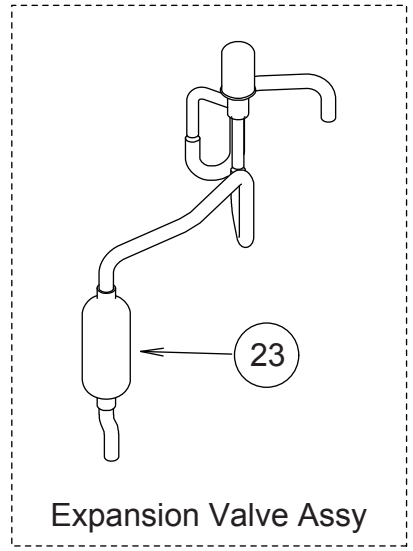
Ref.	Description	Parts number
1	Top Panel Sub Assy	9374417032
2	Front Panel Sub Assy	9374414130
3	Sevice Panel Sub Assy	9374415076
4	Emblem Rear	9351355005
5	Pipe Cover Front	9378861015
6	Right Panel	9378863019
7	Pipe Cover Rear	9378862012
8	Base Assy	9374166220

Ref.	Description	Parts number
9	Reactor Assy	9900641016
10	Motor, DC Brushless	9602843046
11	Propeller Fan Assy	9366378020
12	Condenser A Sub Assy	9374420261
13	Condenser B Sub Assy	9374422081
14	Thermo Holder	9375211011
15	Protective Net	9375381042

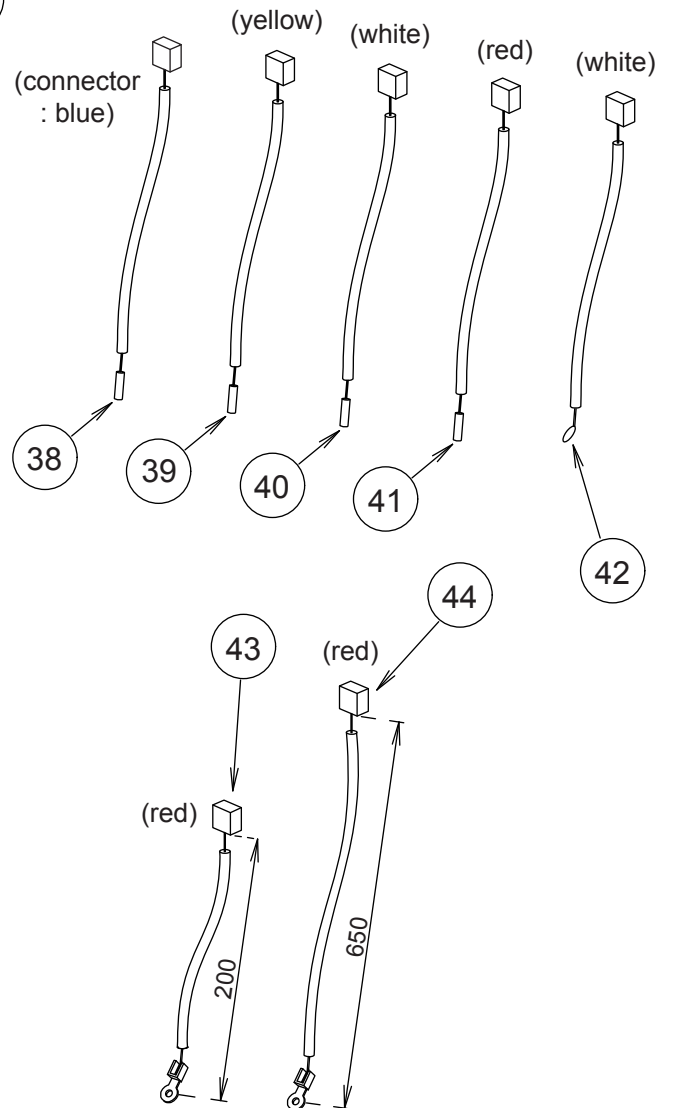
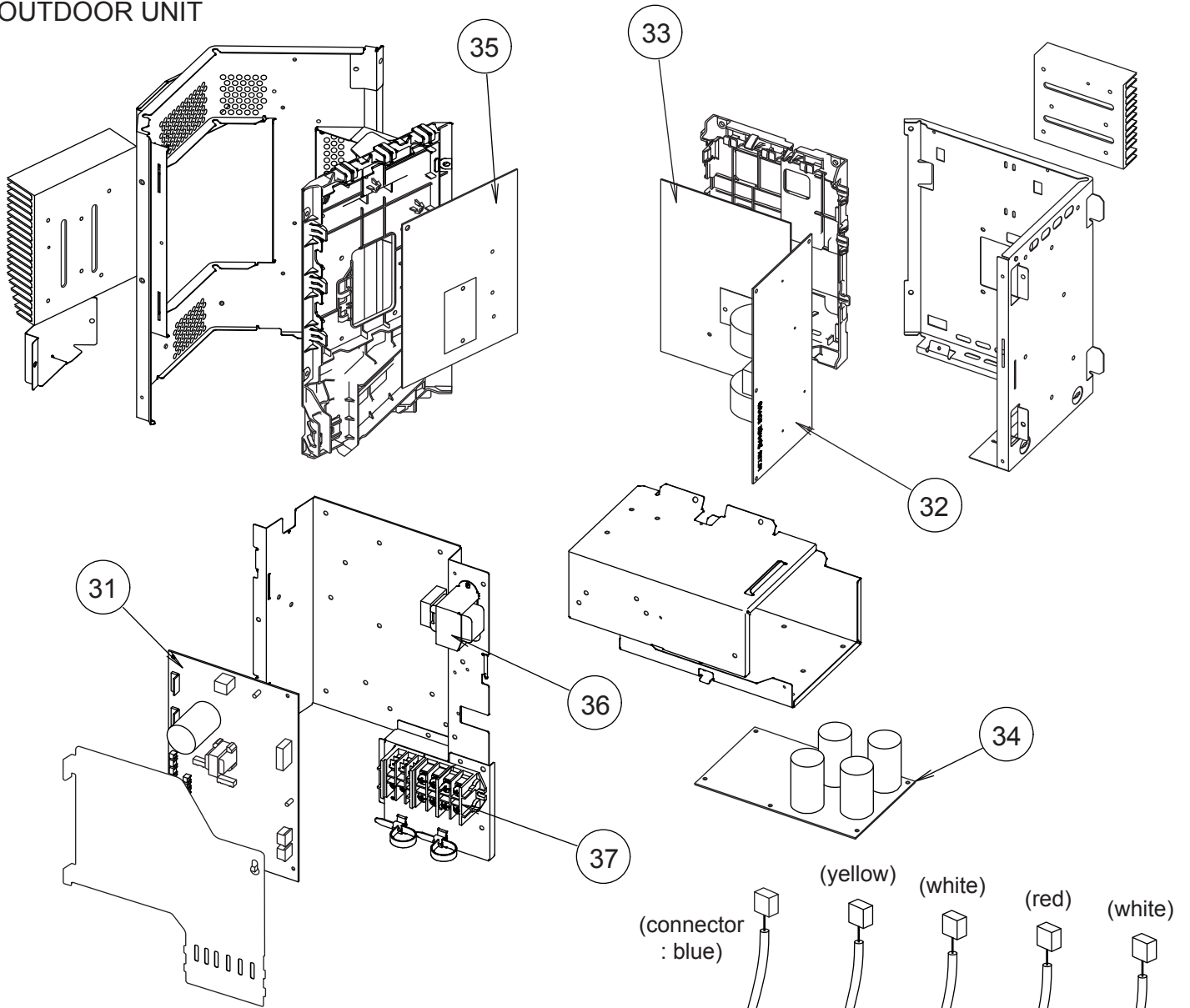
OUTDOOR UNIT



Ref.	Description	Parts number
21	Expansion Valve Coil	9900190057
22	Expansion Valve Assy	9370947182
23	Strainer Assy	9372524039
24	Solenoid	9970113024
25	4-way Valve Assy	9374425273
26	3-way Valve Assy	9379079006
27	3-way Valve Assy	9379077002
28	Sensor	9900505011
29	Accumulator Assy	9375250096
30	Compressor Sub Assy	9374423286



OUTDOOR UNIT



Ref.	Description	Parts number
31	Main PCB (36)	9707627091
31	Main PCB (45)	9707627077
31	Main PCB (54)	9707627084
32	Filter PCB	9707609011
33	Active Filter PCB	9709008010
34	Capacitor PCB	9707608014
35	Transistor PCB	9709010020
36	Reactor Assy	9900481018
37	Terminal	9900428082
38	Compressor Thermistor	9900516000
39	Discharge Thermistor	9900515003
40	Thermistor (Heat Exchanger Mid)	9900513009
41	Thermistor (Heat Exchanger Out)	9900514006
42	Outdoor Thermistor	9900517007
43	Heatsink Thermistor (Inverter)	9900518011
44	Heatsink Thermistor (PFC)	9900518028