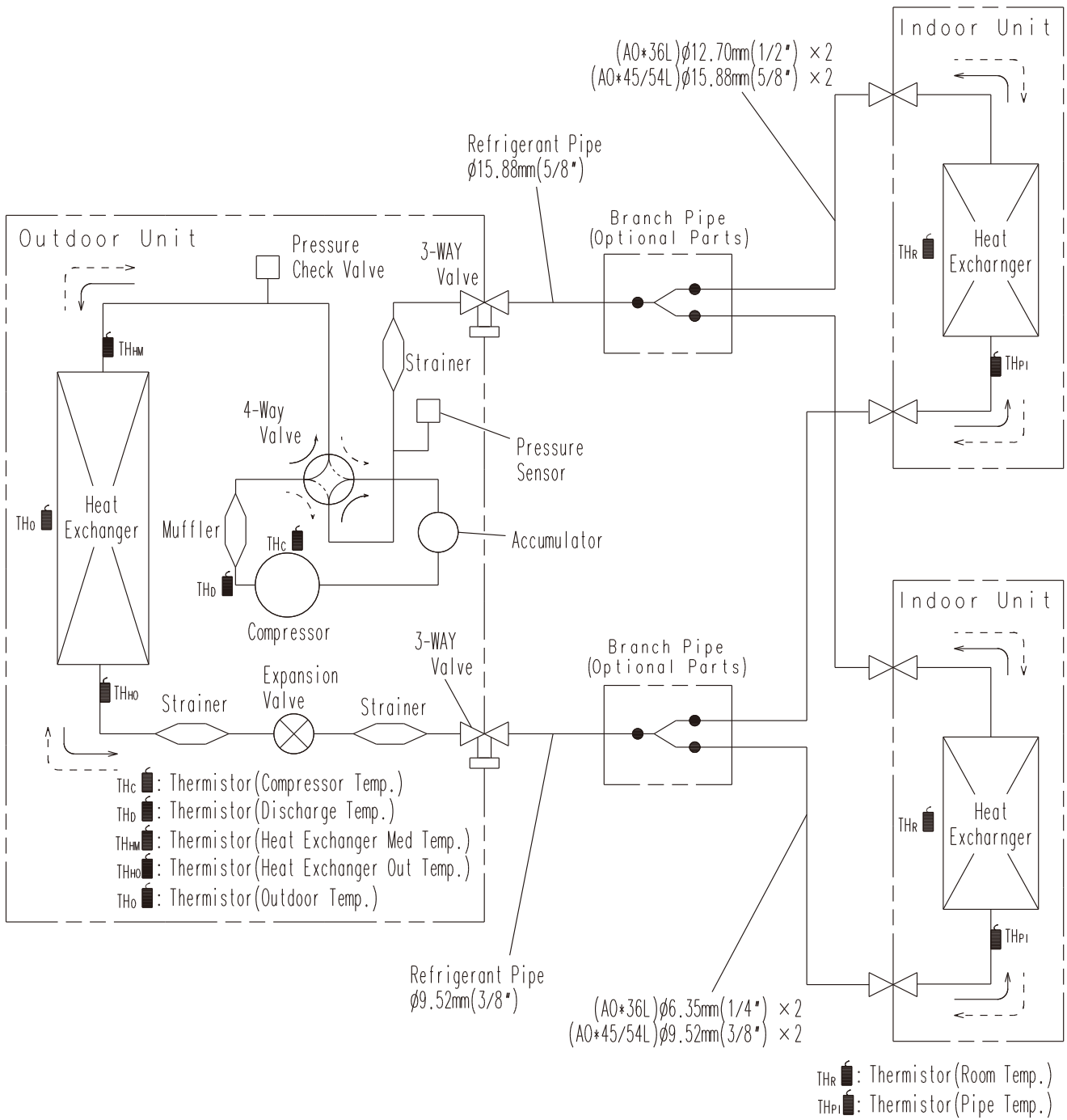


3. REFRIGERANT CIRCUIT

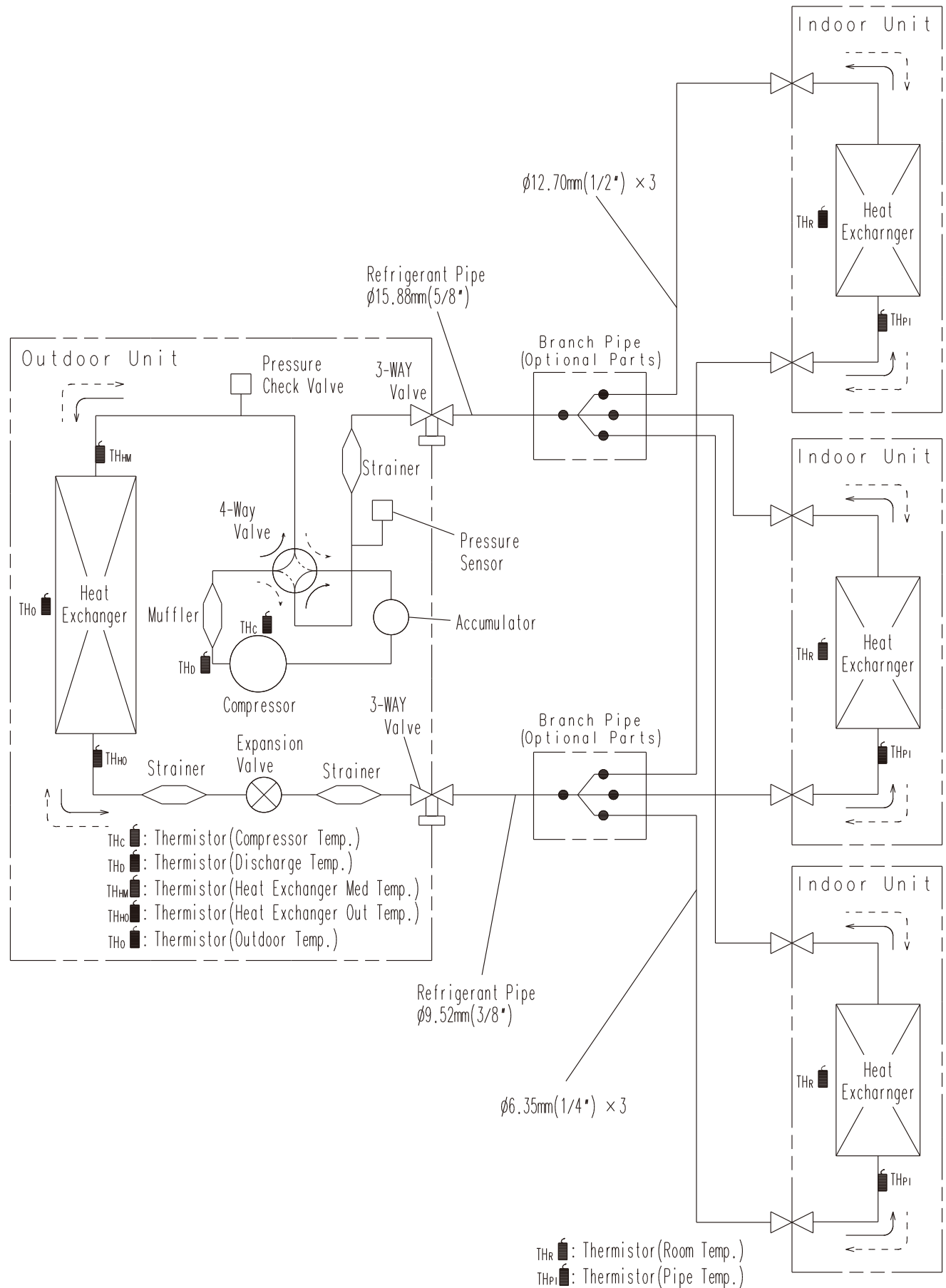
3-1. SIMULTANEOUS MULTI (TWIN)

■ MODELS : AO*G36LB, AO*G45LB, AO*G54LB



3-2. SIMULTANEOUS OPERATION MULTI (TRIPLE)

MODEL: AO*G54LB



OUTDOOR UNIT

OUTDOOR UNIT