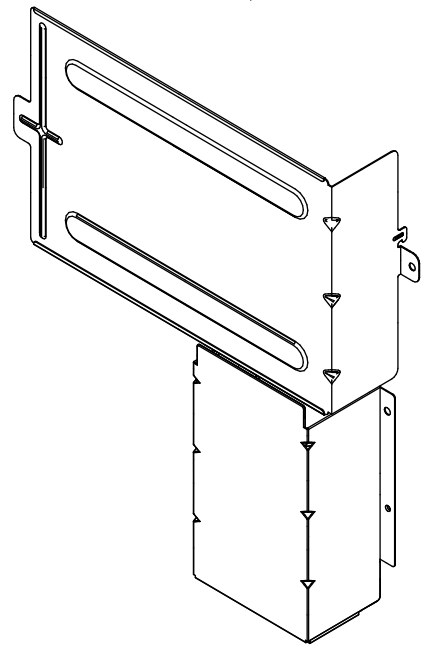
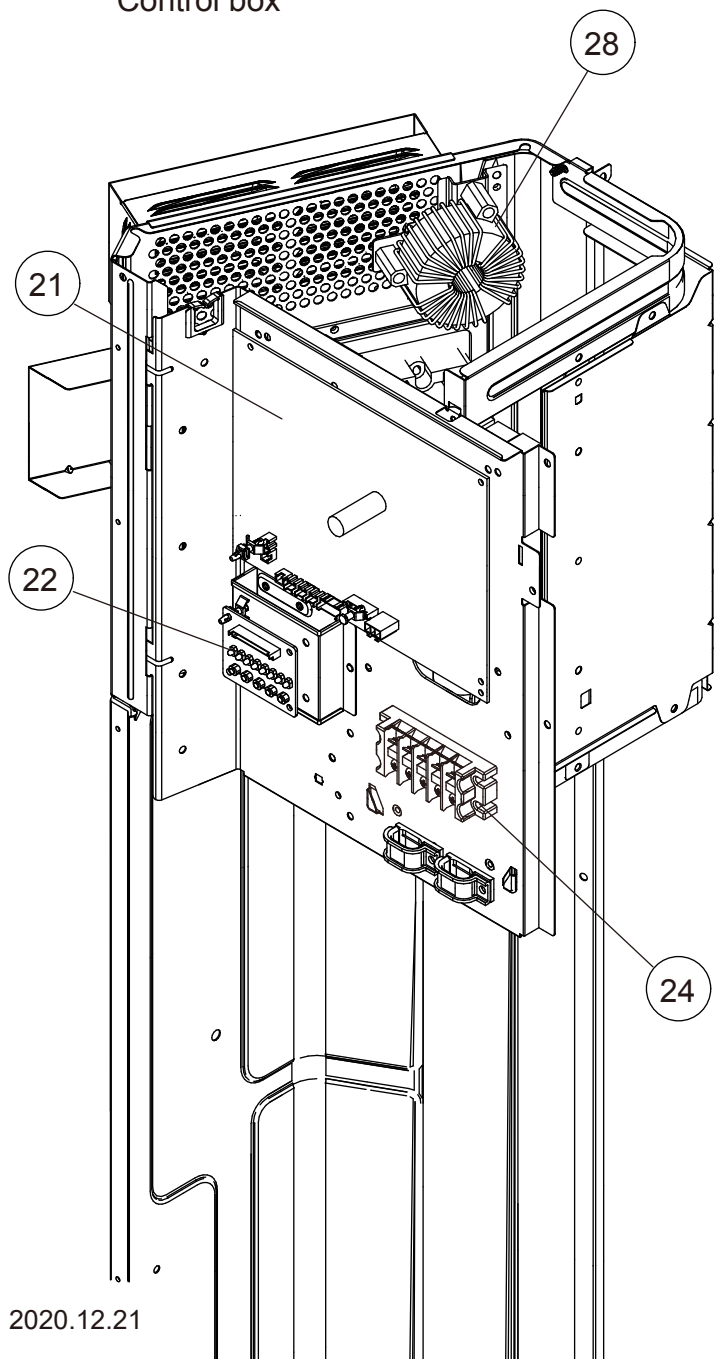


# PARTS

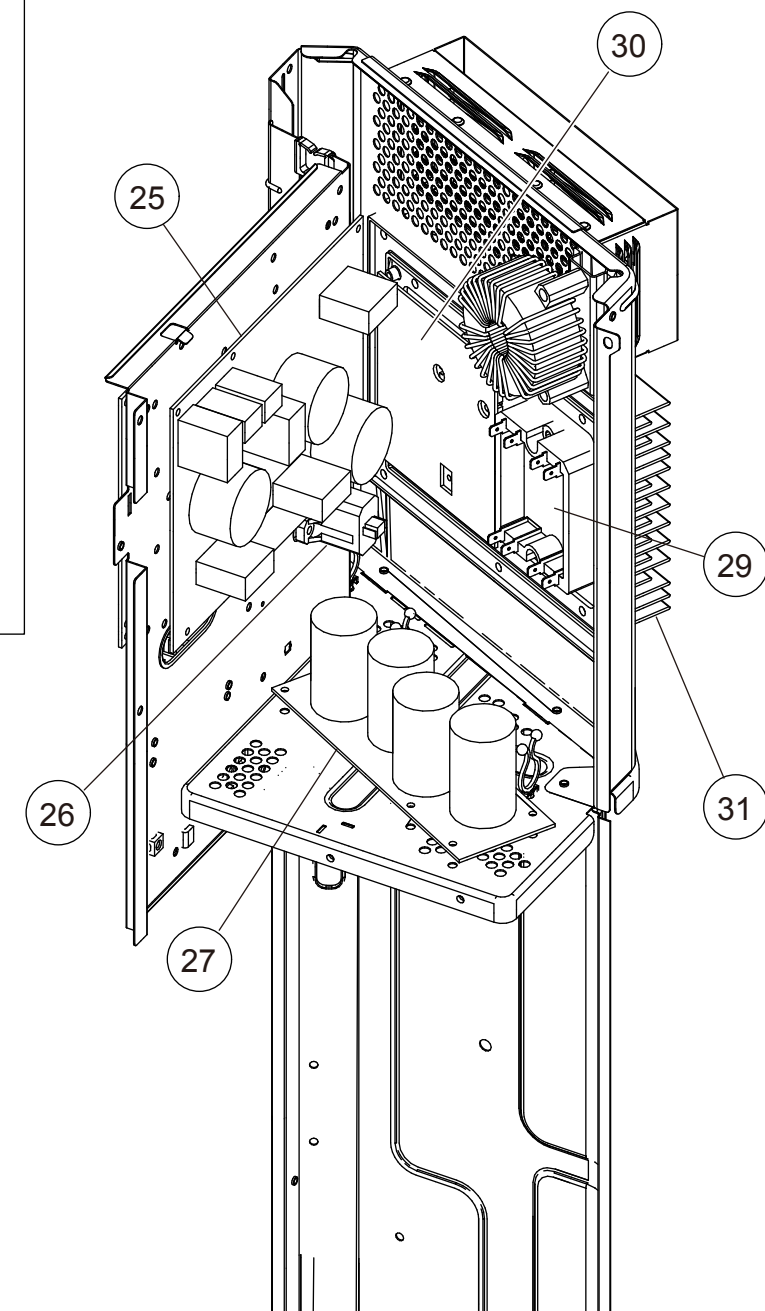
OUTDOOR UNIT  
 AOYG36LBTB  
 AOYG45LBTB  
 AOYG54LBTB

Ref.	Description	Parts number
1	Drain Assy	9303029015
2	Drain Cap	313166024302
3	Protective Net	9375381042
4	Thermo Holder	9375211011
5	Top Panel Sub Assy	9374417056
6	Front Panel Sub Assy	9374414154
7	Sevice Panel Sub Assy	9374415090
8	Emblem Rear	9351355005
9	Pipe Cover Front	9378861015
10	Right Panel Sub Assy	9374416264
11	Motor DC Brushless	9602843039
12	Propeller Fan Assy	9366378020
13	Outdoor Thermistor	9900210069

OUTDOOR UNIT  
 AOYG36LBTB  
 AOYG45LBTB  
 AOYG54LBTB  
 Control box



Ref.	Description	Parts number
21	Main PCB (36)	9709904305
21	Main PCB (45)	9709904312
21	Main PCB (54)	9709904329
22	Indicator PCB	9708678016
24	Terminal	9900428020
25	Filter PCB	9709903070
26	Thermistor	9704265012
27	Capacitor PCB	9709894101
28	Choke Coil	9900624019
29	ACTPM	9707592016
30	Transistor PCB	9709682906
31	Heat Sink	9380358008



OUTDOOR UNIT  
 AOYG36LBTB  
 AOYG45LBTB  
 AOYG54LBTB

Ref.	Description	Parts number	
61	Thermistor Assy (5 pins)	9900599027	
62	Thermistor Assy (4 pins)	9900598013	
63	Condenser A Sub Assy	9374420261	
64	Condenser B Sub Assy	9374422081	
65	Bypass Pipe A	9371324043	
66	Expansion Valve Coil	9970098062	
67	Expansion Valve Assy	9370947182	
68	3-way Valve Assy	9379077002	
69	3-way Valve Assy	9379079006	
70	Solenoid	9970113055	
71	4-way Valve Assy	9374425273	
72	Sensor	9900505080	
73	Accumulator Assy	9375250096	
74*	Compressor Sub Assy	9383161001	A
74*	Compressor Sub Assy	9374423460	B

Ref.74 : B is interchangeable with A, When there is no stock  
 A, B is shipped automatically.

