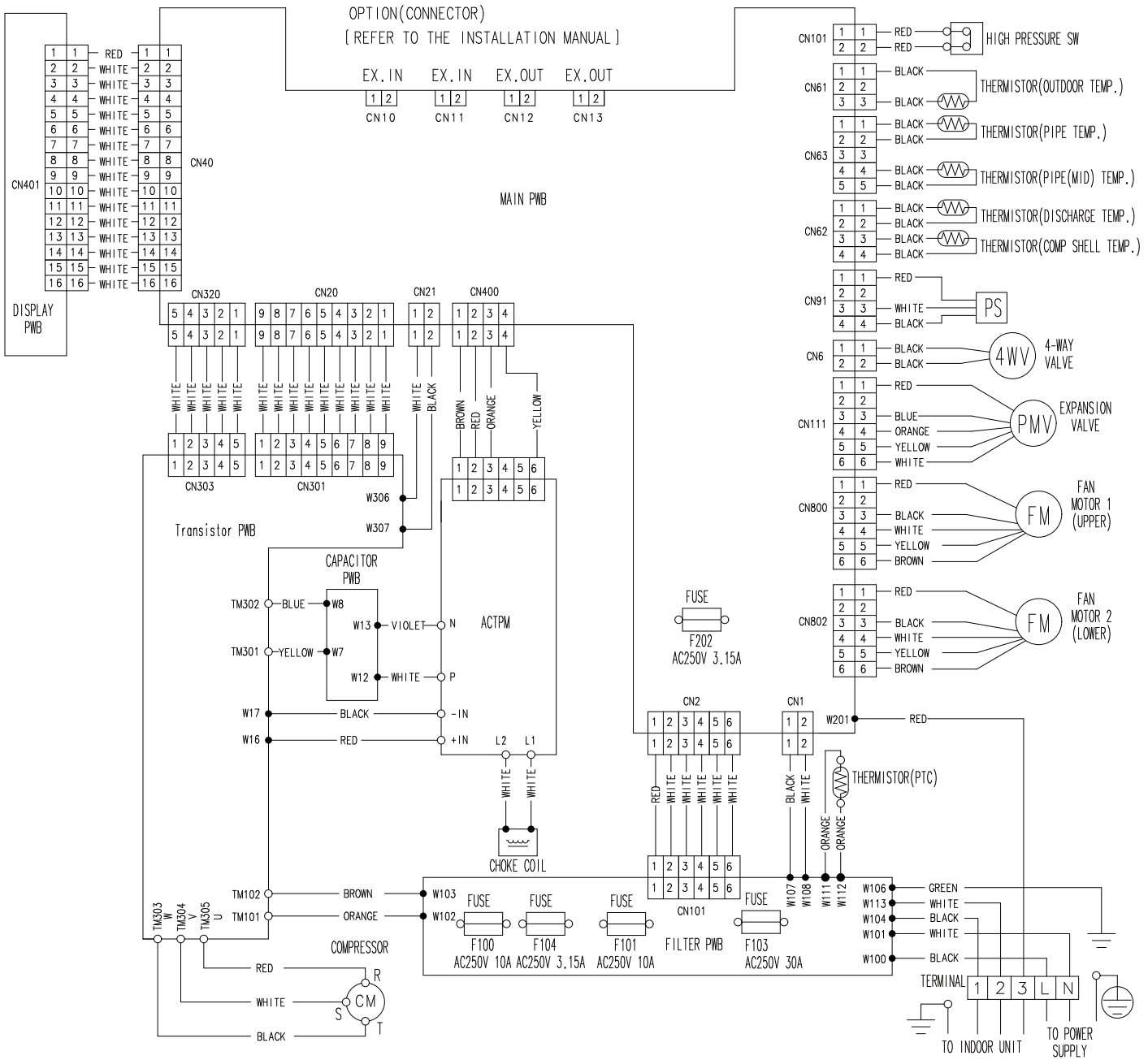


4. WIRING DIAGRAMS

MODELS : AO*G36LB, AO*G45LB, AO*G54LB



OUTDOOR UNIT

OUTDOOR UNIT