

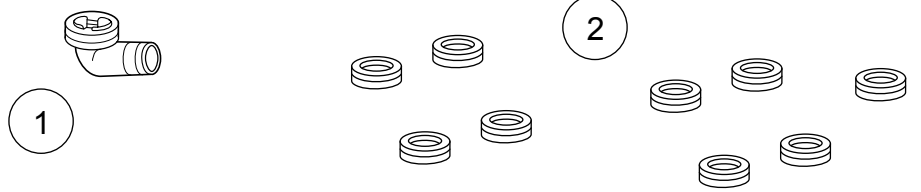
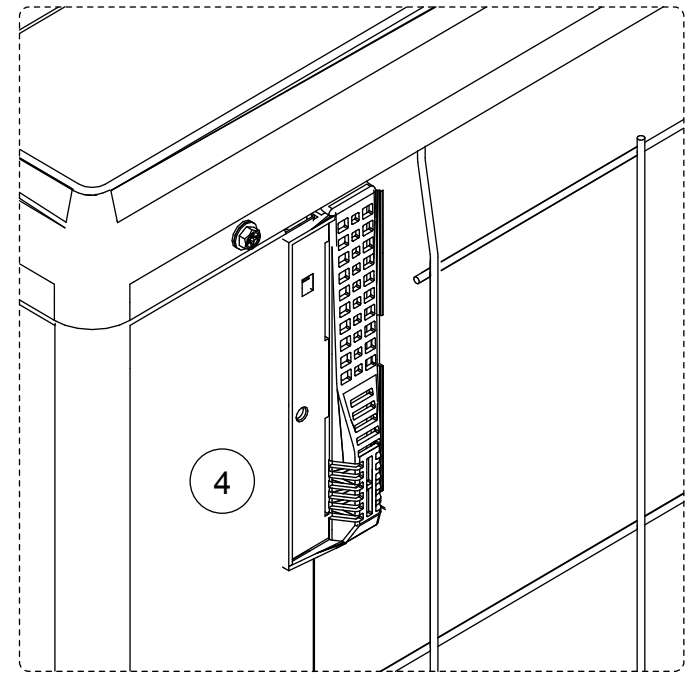
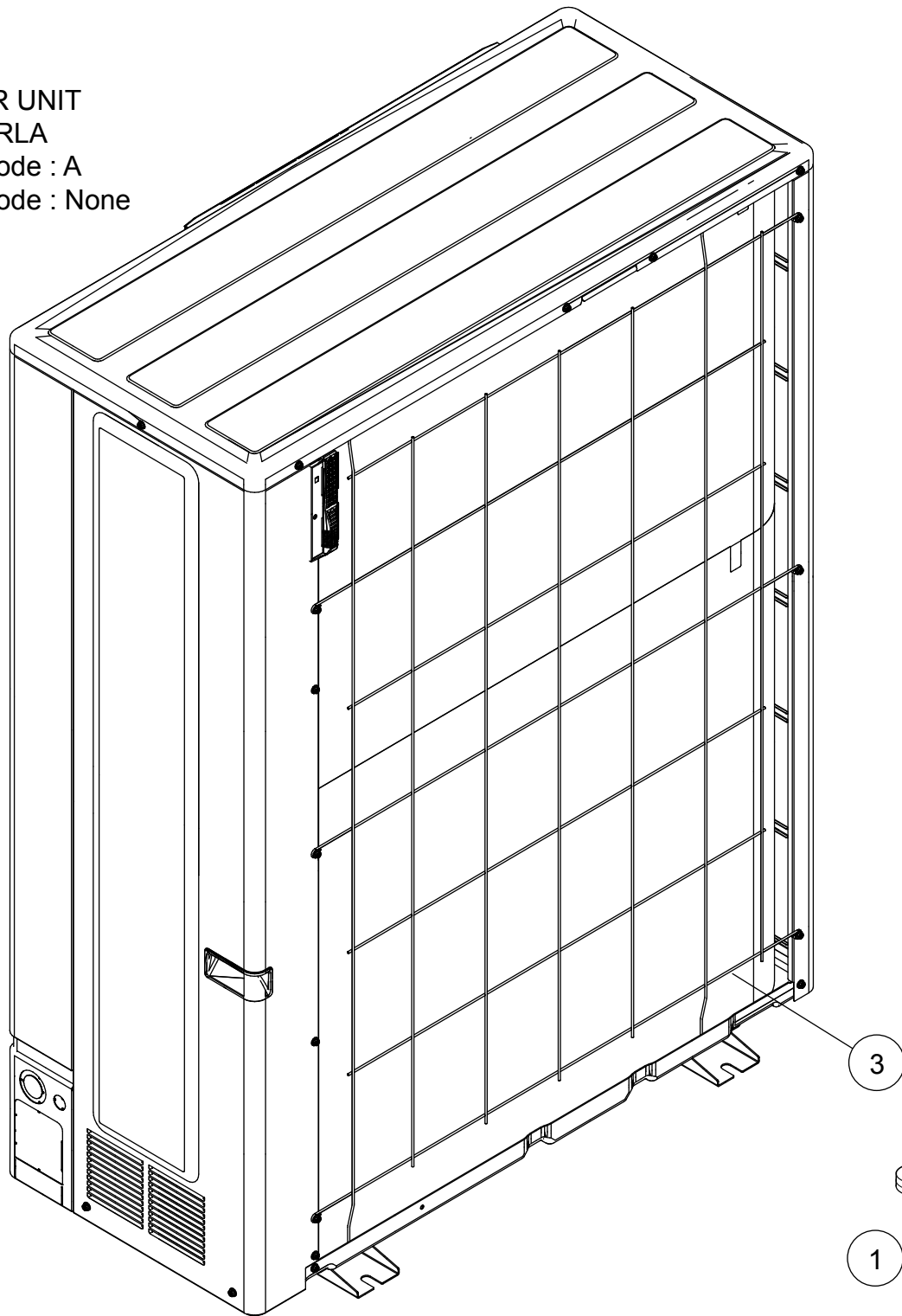
PARTS

OUTDOOR UNIT

AOYG90LRLA

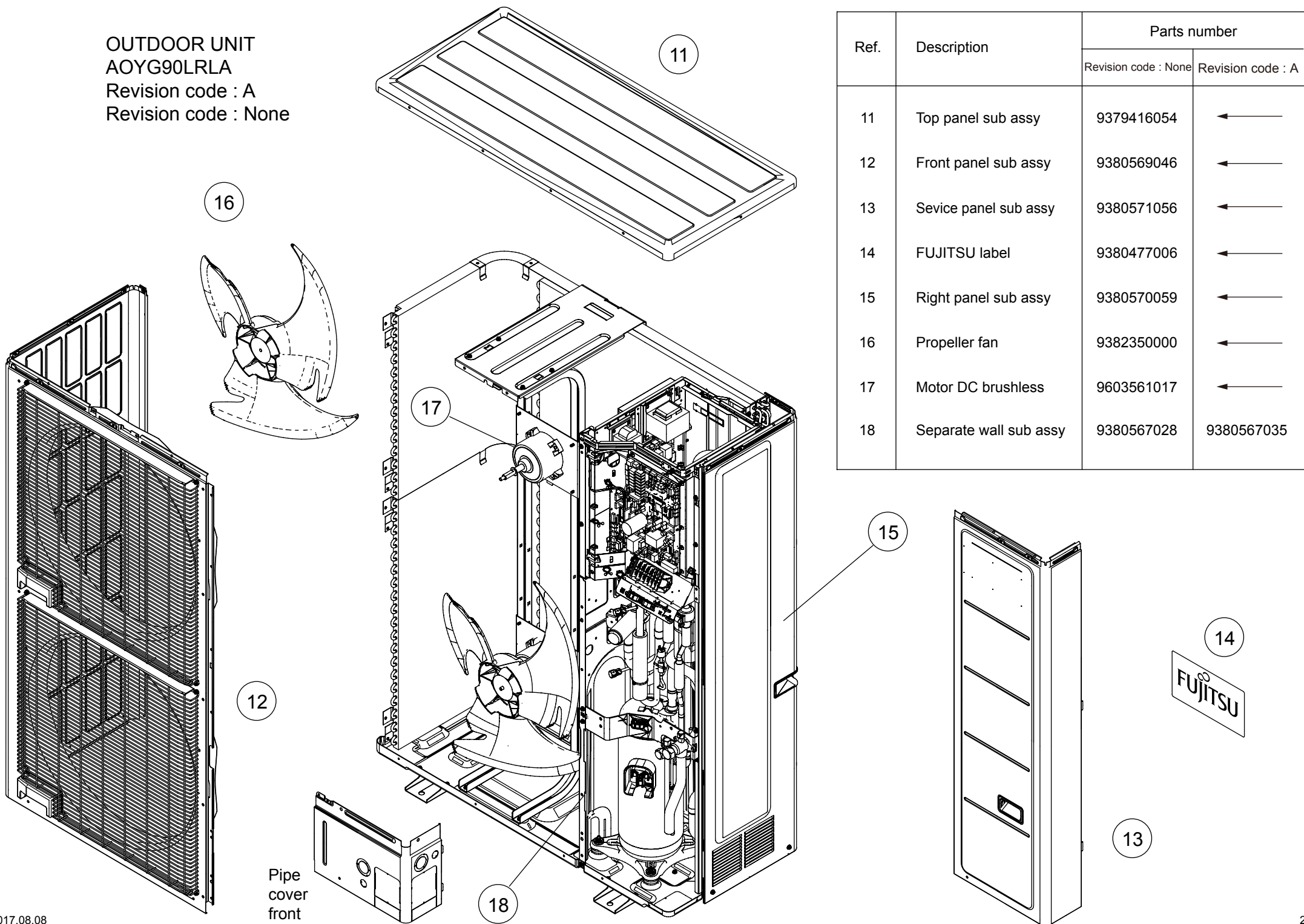
Revision code : A

Revision code : None



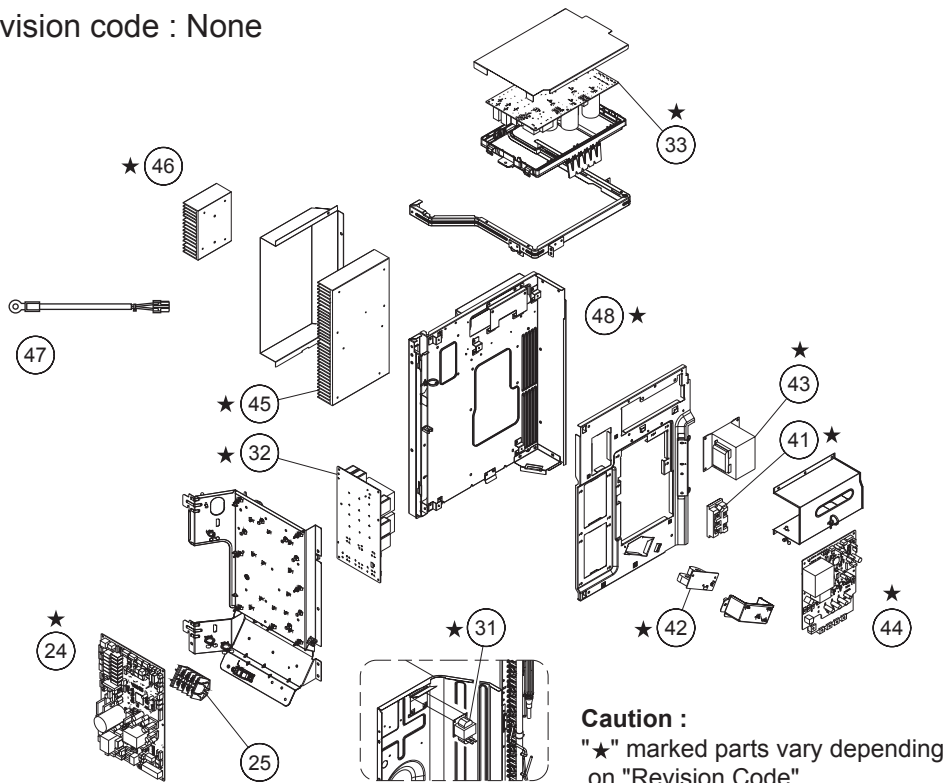
Ref.	Description	Parts number	
		Revision code : None	Revision code : A
1	Drain assy	9303029015	←
2	Drain cap	313166024302	←
3	Protective net assy	9378926066	←
4	Thermo holder	9375211011	←
5	Outdoor thermistor	9900957018	←

OUTDOOR UNIT
 AOYG90LRLA
 Revision code : A
 Revision code : None



Ref.	Description	Parts number	
		Revision code : None	Revision code : A
11	Top panel sub assy	9379416054	←
12	Front panel sub assy	9380569046	←
13	Sevice panel sub assy	9380571056	←
14	FUJITSU label	9380477006	←
15	Right panel sub assy	9380570059	←
16	Propeller fan	9382350000	←
17	Motor DC brushless	9603561017	←
18	Separate wall sub assy	9380567028	9380567035

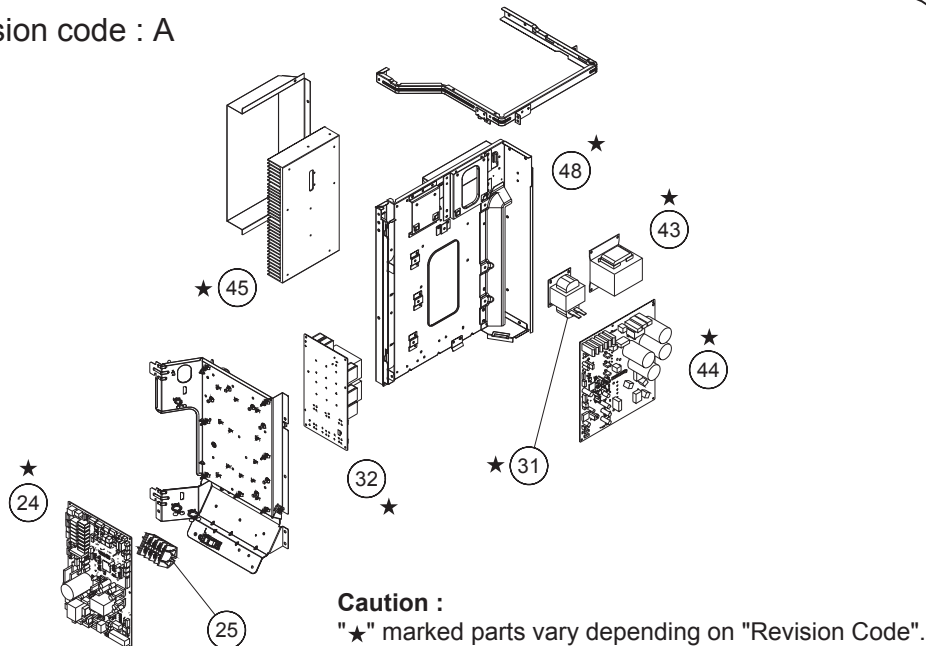
Revision code : None



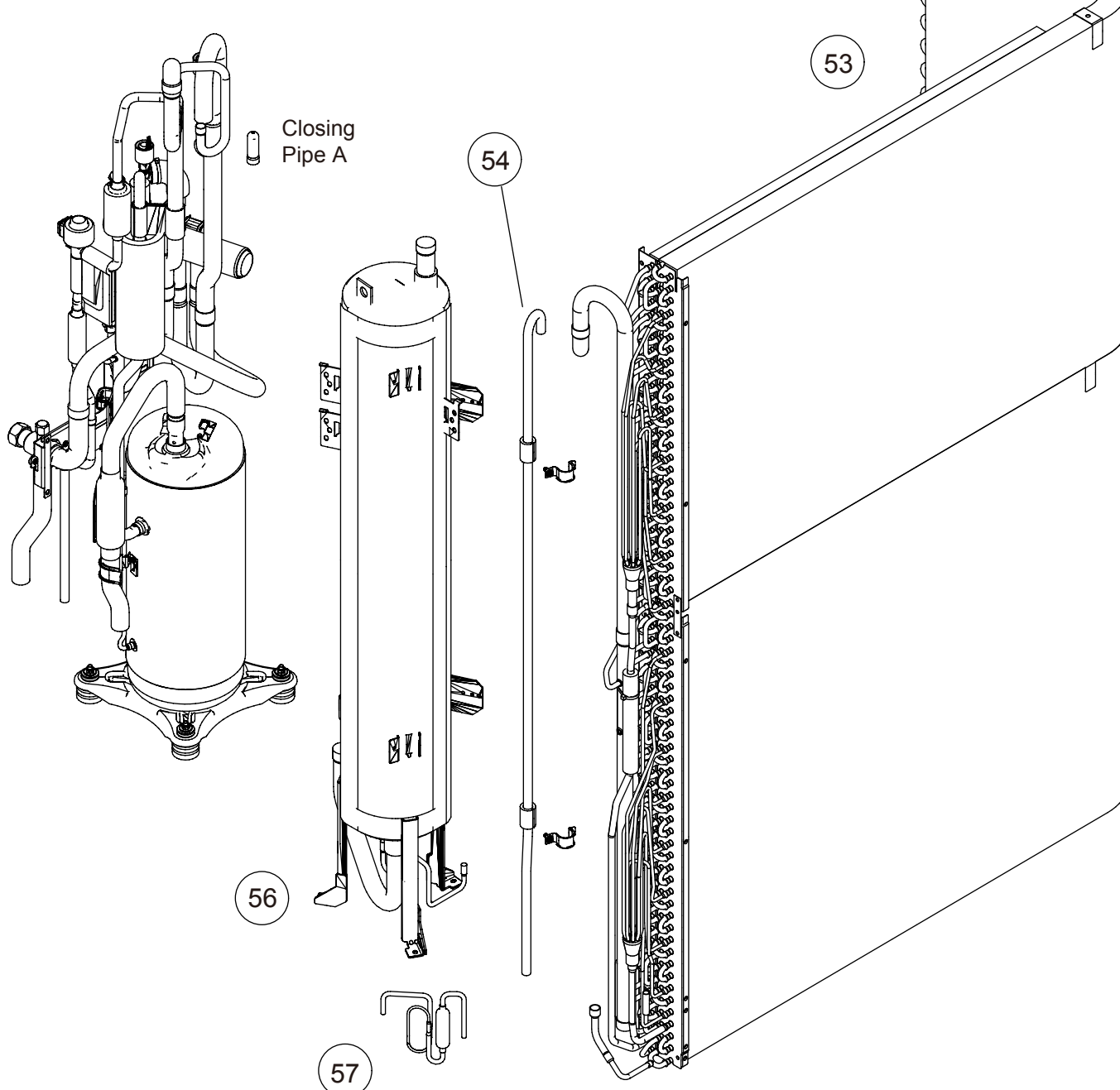
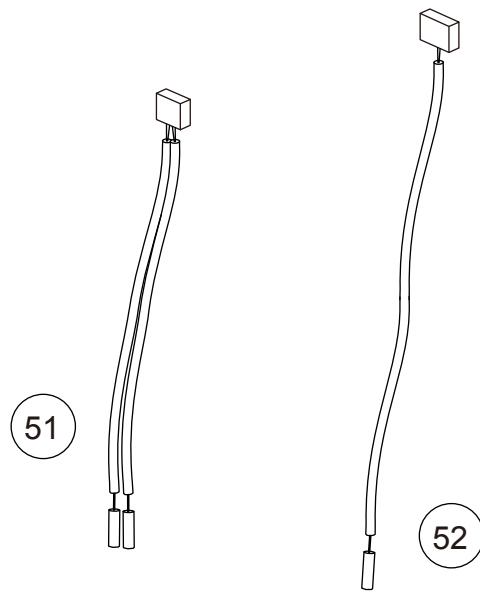
OUTDOOR UNIT AOYG90LRLA

Ref	Description	Parts number	
		Revision code : None	Revision code : A
24	Main PCB (service unit)	9710851032	9710851063
25	Terminal	9900569006	←
31	Reactor assy (main)	9900584016	←
32	Filter PCB	9709919033	9710417016
33	Power PCB	9710771019	None
41	Power Diode	0001113013	None
42	CT PCB	9708938028	None
43	Reactor assy (inv)	9900748012	9900748005
44	Inverter PCB (service unit)	9709682012	9709682098
45	Heatsink A	9382538002	9382538019
46	Heatsink B	9382539009	None
47	Heatsink thermistor	9900518004	None
48	Control box (inv part) assy	9382453022	9382453015

Revision code : A



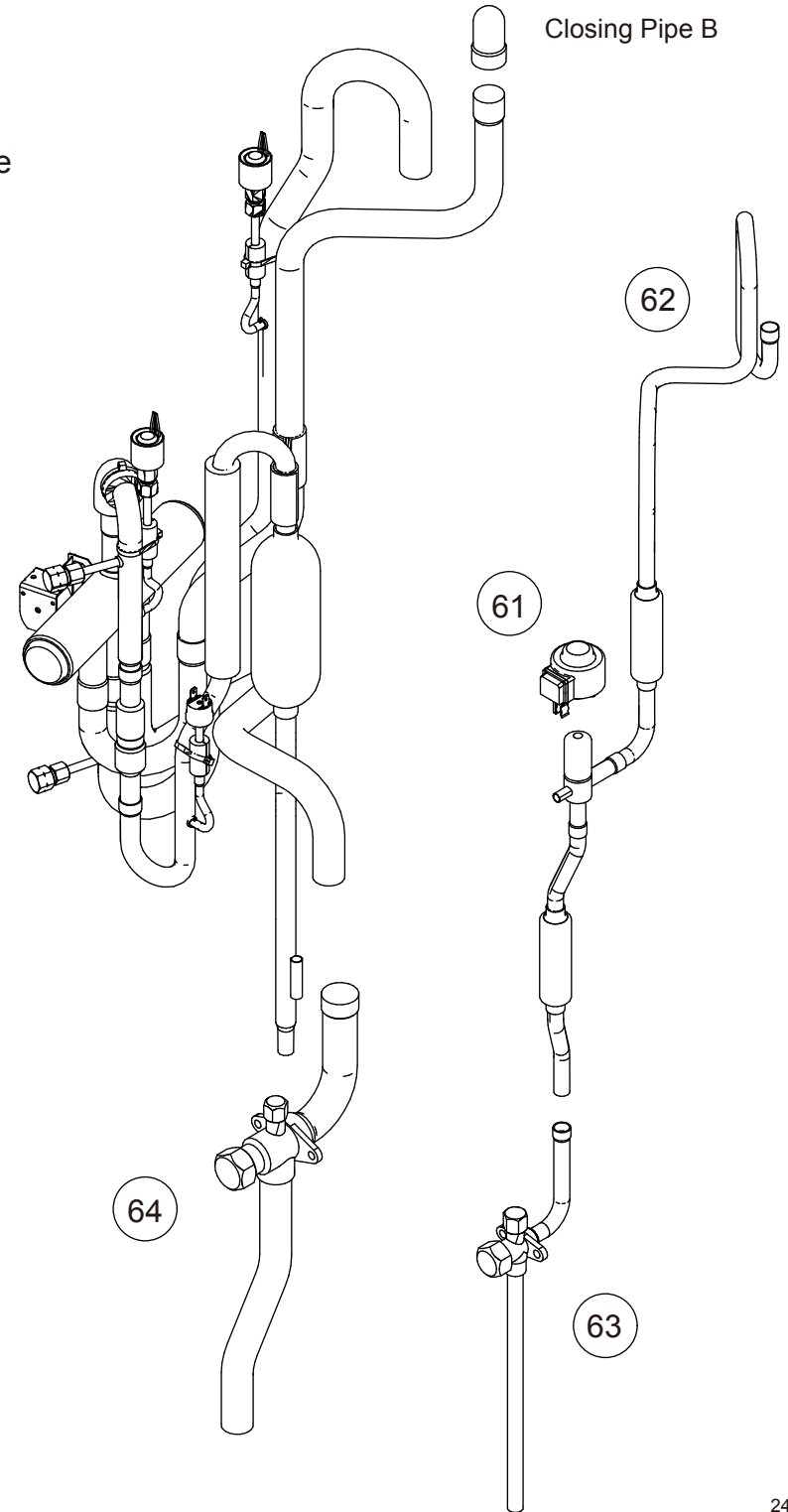
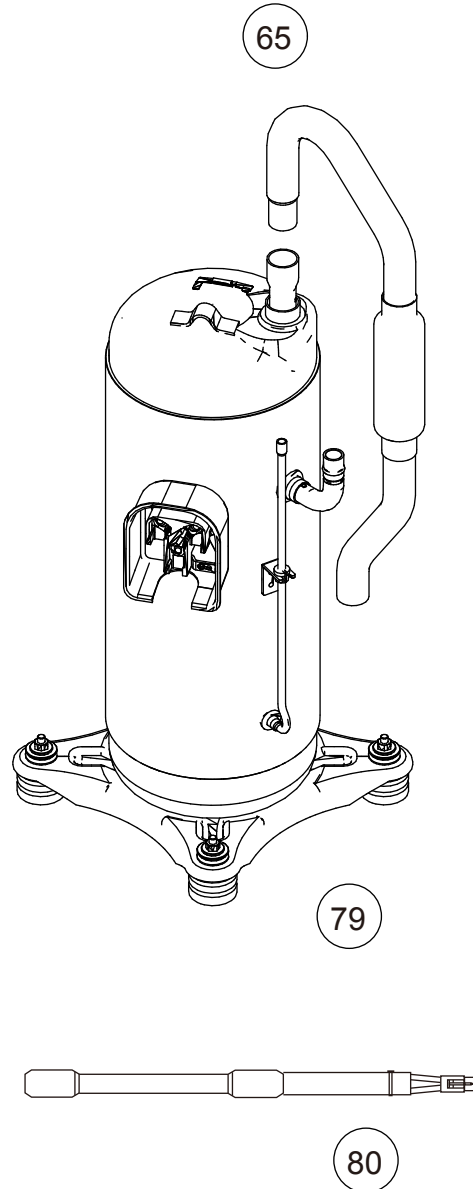
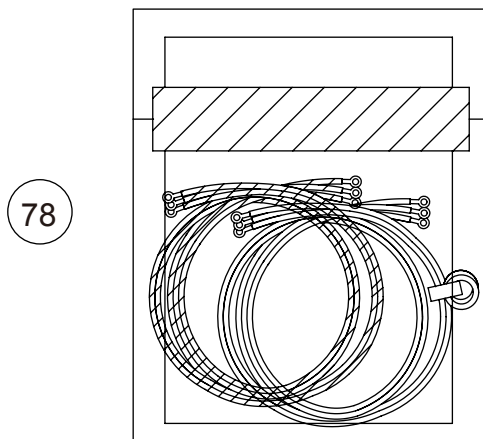
OUTDOOR UNIT
 AOYG90LRLA
 Revision code : A
 Revision code : None

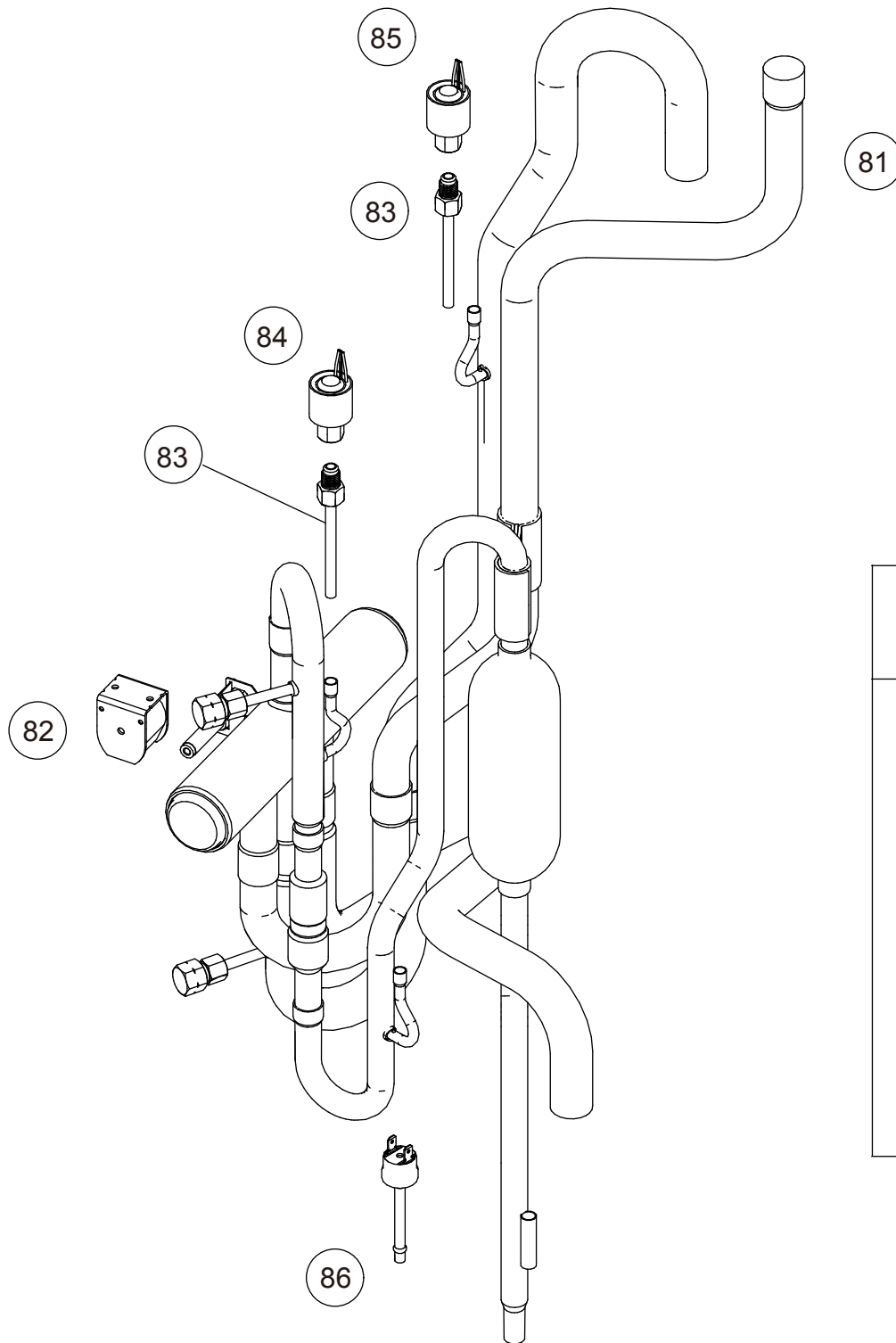


Ref.	Description	Parts number	
		Revision code : None	Revision code : A
51	Thermistor assy	9900922023	←
52	Thermistor (heat exchanger)	9900967017	←
53	Condenser total assy	9382704001	←
54	Joint pipe distributor 1	9382700003	←
56	Accumulator sub assy	9379221085	←
57	Oil return pipe A assy	9378745070	←

Ref.	Description	Parts number	
		Revision code : None	Revision code : A
61	Expansion valve coil	9970114007	←
62	Expansion valve assy	9378750173	←
63	3-way valve assy	9379039086	←
64	3-way valve assy	9379039062	←
65	Suction pipe A assy	9382716004	←
78	Wire (inverter comp) (service unit)	9382819002	←
79	Compressor sub assy (service unit)	9382796006	9382796013
80	Belt heater	9361140332	←

OUTDOOR UNIT
 AOYG90LRLA
 Revision code : A
 Revision code : None





OUTDOOR UNIT
 AOYG90LRLA
 Revision code : A
 Revision code : None

Ref.	Description	Parts number	
		Revision code : None	Revision code : A
81	4-way valve sub assy	9381449040	←
82	Solenoid	9970113017	←
83	Union joint	9970091018	←
84	High pressure sensor	9970178009	←
85	Low pressure sensor	9970178016	←
86	Pressure switch	9900186029	←