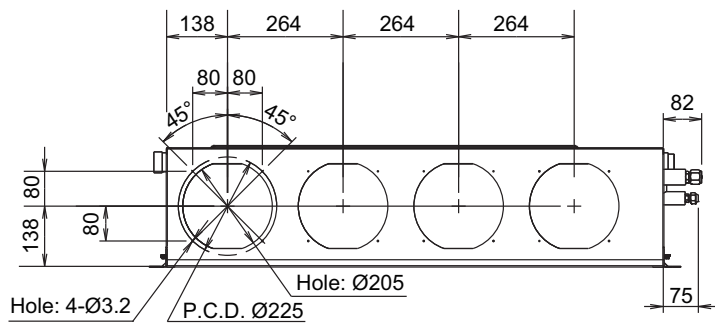


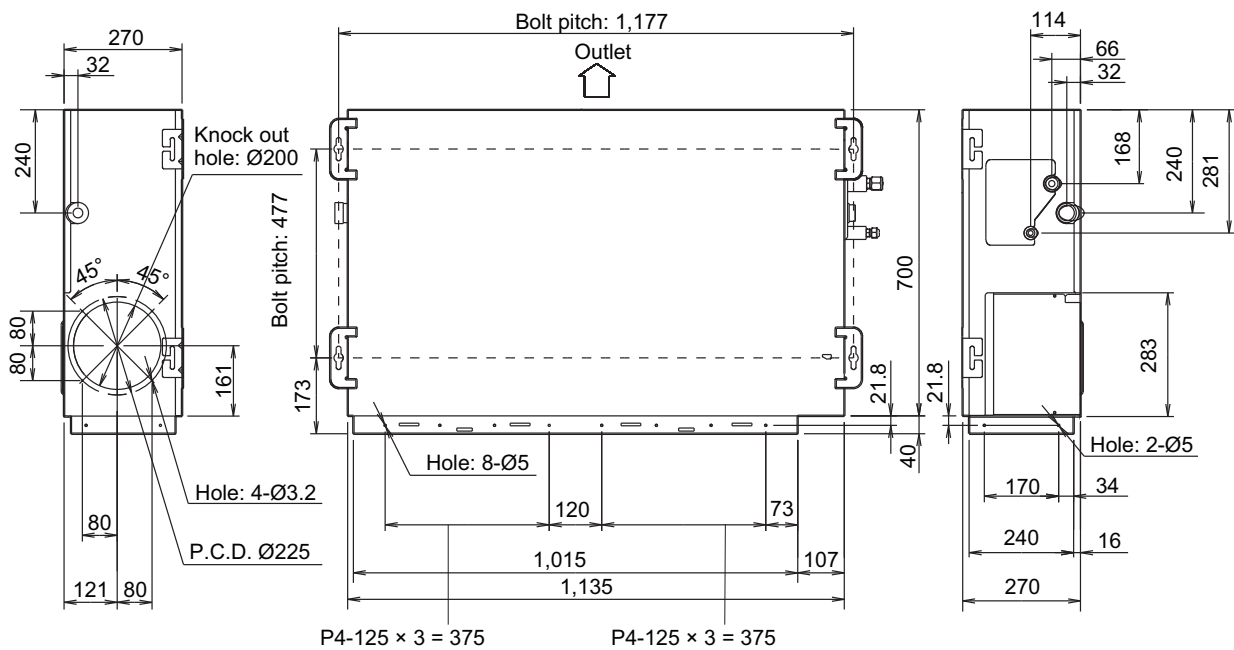
## 4-7. Medium static pressure duct type

### ■ Models: ARXA024GLEH, ARXA030GLEH, ARXA036GLEH, and ARXA045GLEH

Unit: mm



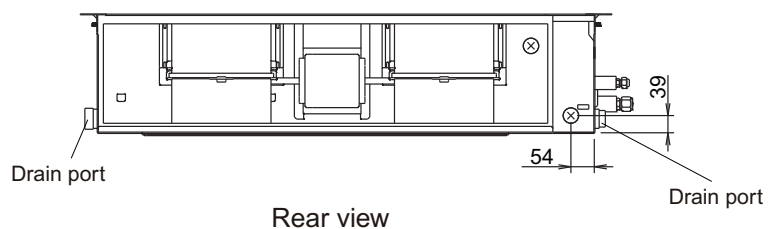
Front view



Side view (L)

Top view

Side view (R)



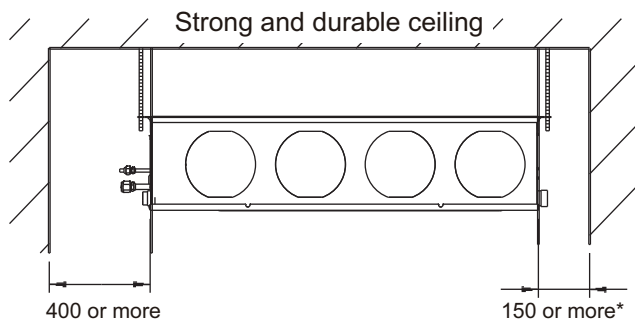
Rear view

INDOOR  
UNITS

INDOOR  
UNITS

## ■ Installation space requirement

Unit: mm



### NOTES:

- When Drain pump unit is used, leave the space requirement for service and maintenance. For details of Drain pump unit, refer to "Drain pump unit for duct type" in Chapter 10. OPTIONAL PARTS on page 10-71.
- \*: When drain hose is connected, the required dimension is 400 mm or more.

## ■ Maintenance space requirement

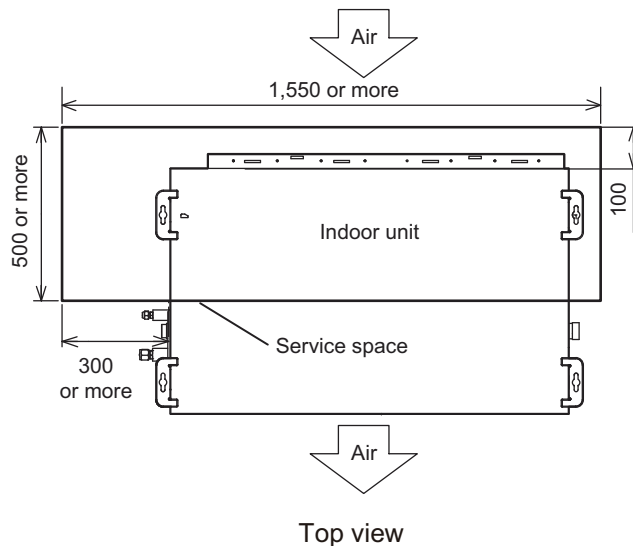
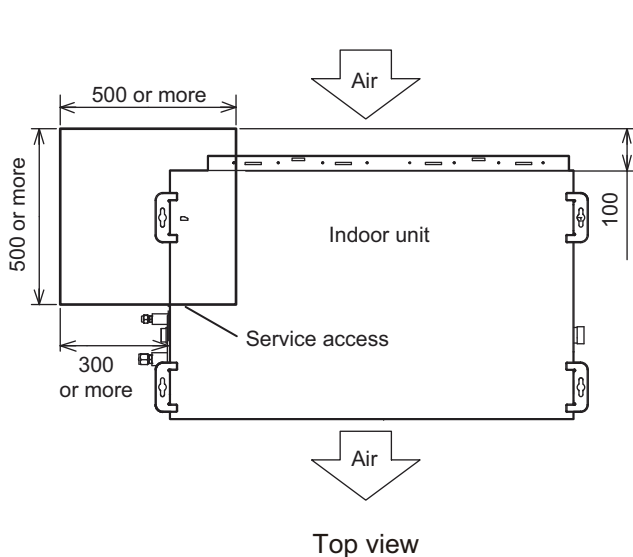
For future maintenance and service access, provide sufficient maintenance space.

**NOTE:** Do not place any wiring or illumination in the maintenance space, as they will impede service.

Unit: mm

It shall be possible to install and remove the control box.

It shall be possible to install and remove the control box, fan units, and filter.



### When using a square duct

