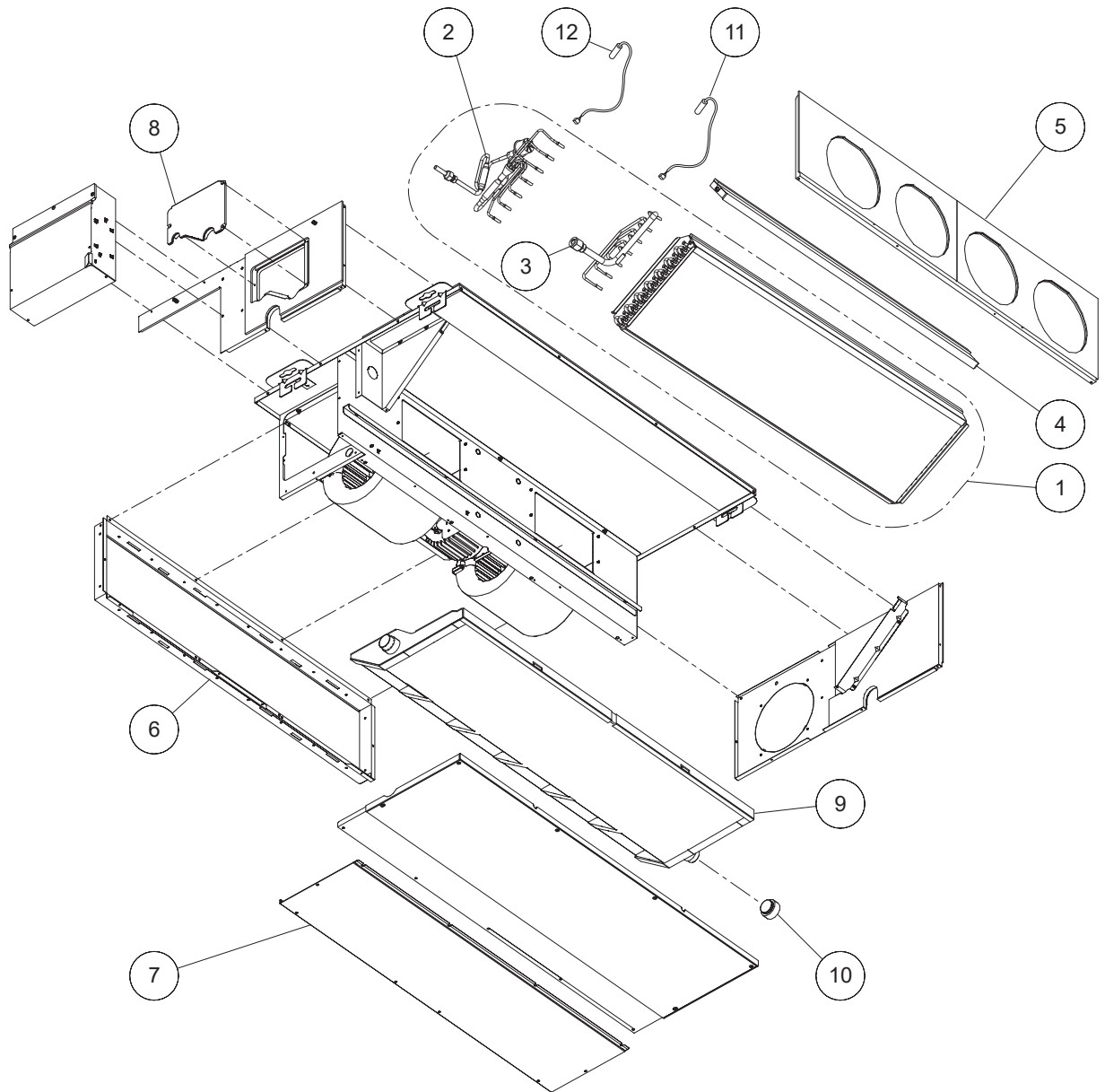
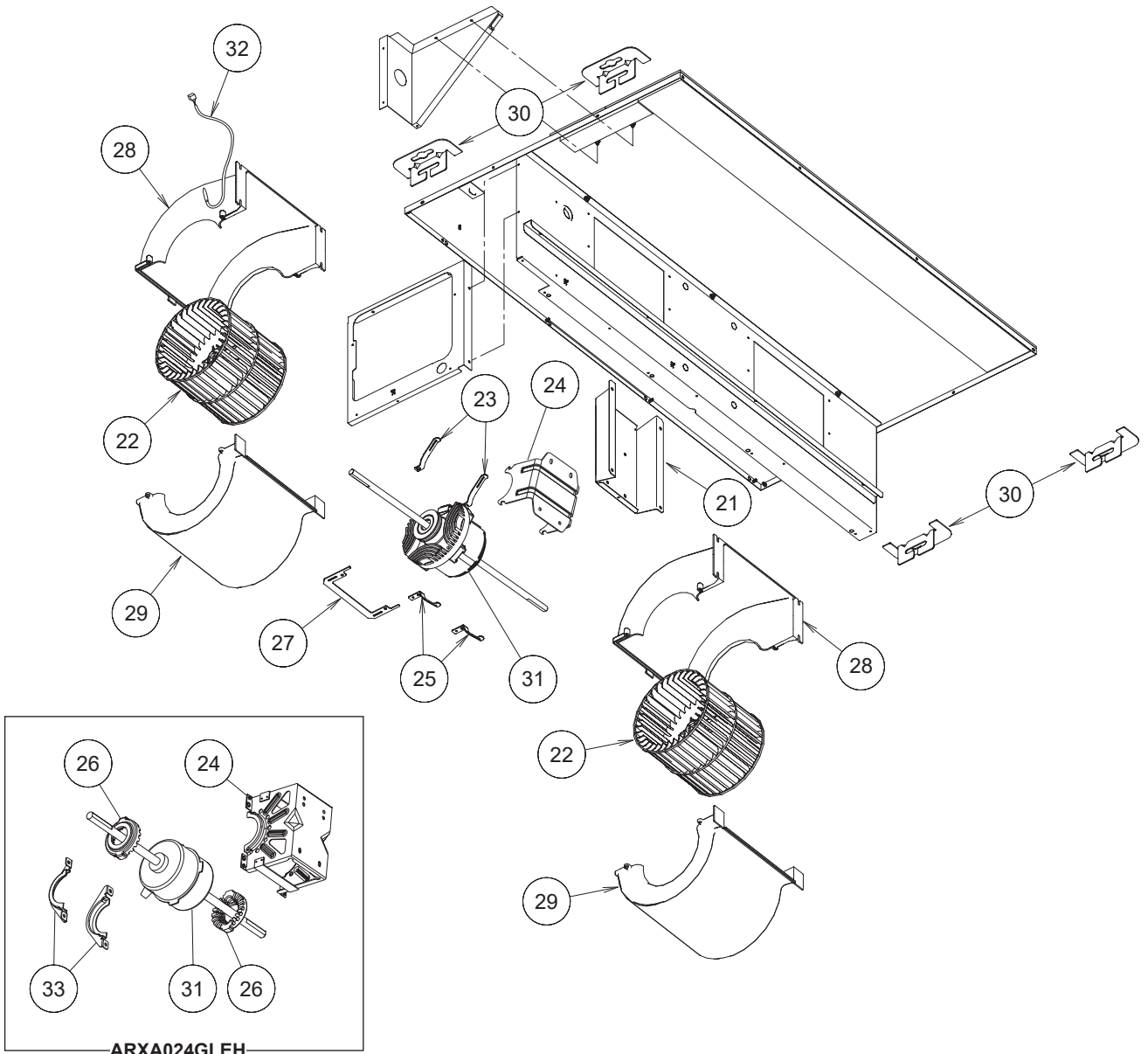


MODELS : ARXA024/ 030/ 036/ 045GLEH



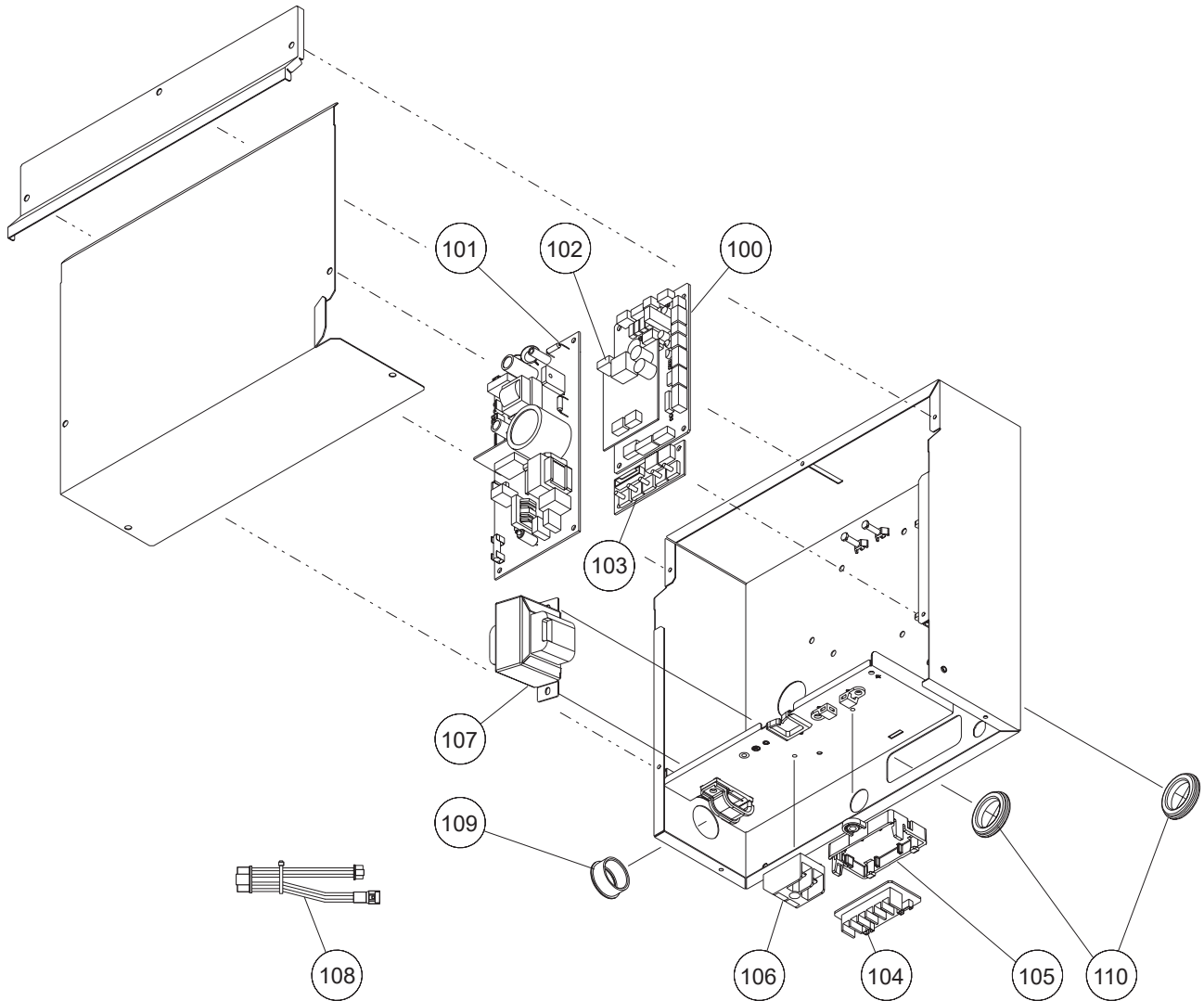
Ref No.	Description	Parts No.				Q'ty
		ARXA024GLEH	ARXA030GLEH	ARXA036GLEH	ARXA045GLEH	
1	EVAPORATOR TOTAL ASSY	9383816093	9383816079	9383816086	9383816086	
2	DISTRIBUTOR ASSY	9380307730	9380307716	9380307723	9380307723	
3	COUPLING PIPE ASSY	9371333250	9371333267	9371333267	9371333267	
4	SEAL PANEL (EVA) SUB ASSY	9374515011	9374515011	9374515011	9374515011	
5	OUTLET PANEL SUB ASSY	9374510016	9374510016	9374510016	9374510016	
6	INTAKE FRAME ASSY	9374216017	9374216017	9374216017	9374216017	
7	INTAKE COVER SUB ASSY	9374512010	9374512010	9374512010	9374512010	
8	BRACKET (PIPE) SUB ASSY	9374514014	9374514014	9374514014	9374514014	
9	DRAIN PAN SUB ASSY	9374513017	9374513017	9374513017	9374513017	
10	CAP(DRAIN)	9356541007	9356541007	9356541007	9356541007	
11	THERMISTOR (PIPE-OUT)	9900883010	9900883010	9900883010	9900883010	
12	THERMISTOR (PIPE-IN)	9900509026	9900509026	9900509026	9900509026	

MODELS : ARXA024/ 030/ 036/ 045GLEH



Ref No.	Description	Parts No.				Q'ty
		ARXA024GLEH	ARXA030GLEH	ARXA036GLEH	ARXA045GLEH	
21	BRACKET MOTOR ASSY	9374230020	9374230013	9374230013	9374230013	
22	SIRROCO FAN ASSY	9356531060	9356531046	9356531046	9356531046	
23	MOTOR BAND ASSY	_____	9378033023	9378033023	9378033023	
24	MOTOR MOUNT	9358591000	9378002012	9378002012	9378002012	
25	MOTOR BAND	_____	9378031012	9378031012	9378031012	
26	RUBBER (VIBRATION PROOF)	9385102002	_____	_____	_____	
27	RFM (MOTOR BAND)	_____	9378003019	9378003019	9378003019	
28	CASING A	9374233021	9374233021	9374233021	9374233021	
29	CASING B	9374234028	9374234028	9374234028	9374234028	
30	HANGER	9356563009	9356563009	9356563009	9356563009	
31	FAN MOTOR	_____	9603213015	9603213015	9603213015	
	MOTOR ASSY	9380718031	_____	_____	_____	
32	THERMISTOR (ROOM)	9900826017	9900826017	9900826017	9900826017	
33	BRACKET (MOTOR)	9358594001	_____	_____	_____	

MODELS : ARXA024/ 030/ 036/ 045GLEH



Ref No.	Description	Parts No.				Q'ty
		ARXA024GLEH	ARXA030GLEH	ARXA036GLEH	ARXA045GLEH	
100	CONTROLLER PCB	9711039156	9711039026	9711039026	9711039026	
101	POWER SUPPLY PCB	9711356017	9711356024	9711356024	9711356024	
102	COMMUNICATION PCB	9709373026	9709373026	9709373026	9709373026	
103	SWITCH PCB	9707732030	9707732030	9707732030	9707732030	
104	TERMINAL PCB	9707736014	9707736014	9707736014	9707736014	
105	PWB HOLDER B	9378345010	9378345010	9378345010	9378345010	
106	TERMINAL 2P	9703873027	9703873027	9703873027	9703873027	
107	REACTOR ASSY	9707457018	9707457018	9707457018	9707457018	
108	THERMISTOR CONNECTION WIRE	9707854022	9707854022	9707854022	9707854022	
109	ONE-TOUCH BUSH	9374407019	9374407019	9374407019	9374407019	
110	CAP (POWER)	9352173011	9352173011	9352173011	9352173011	
-	FUSE 250V 3.15A (POWER PCB F101)	0600466015	_____	_____	_____	
-	FUSE 250V 5A (POWER PCB F101)	_____	0600424022	0600424022	0600424022	