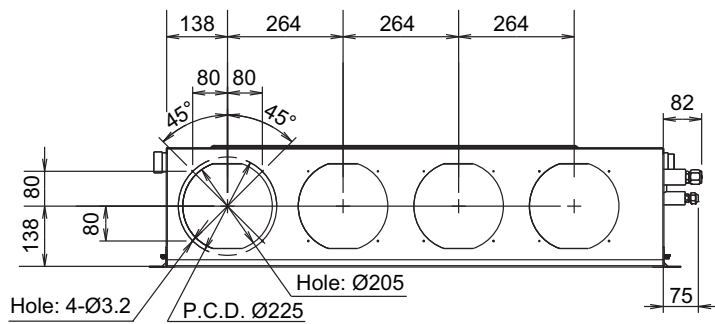


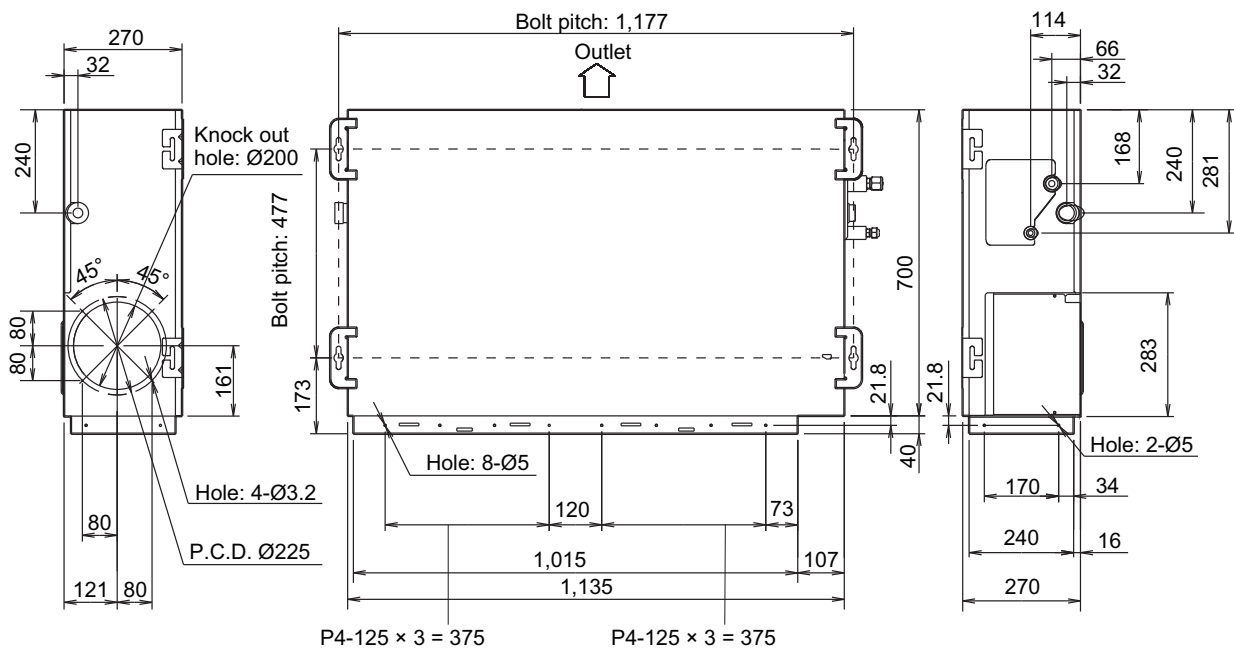
## 4-7. Medium static pressure duct type

### ■ Models: ARXA024GLEH, ARXA030GLEH, ARXA036GLEH, and ARXA045GLEH

Unit: mm



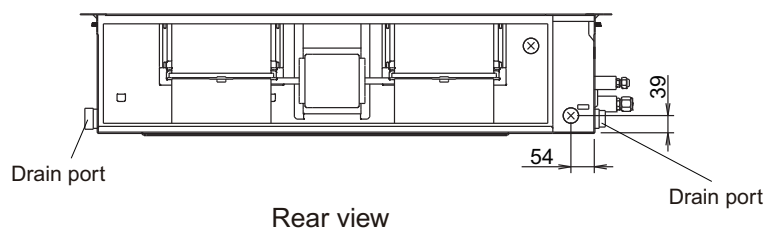
Front view



Side view (L)

Top view

Side view (R)



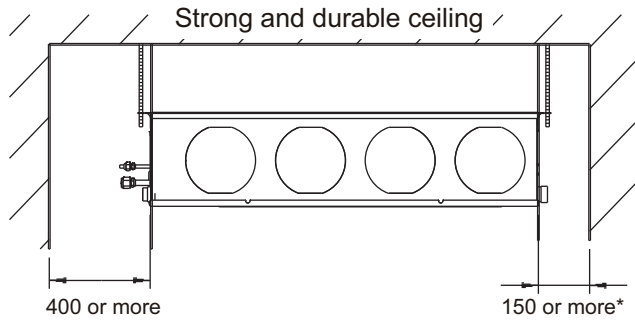
Rear view

INDOOR  
UNITS

INDOOR  
UNITS

## ■ Installation space requirement

Unit: mm



### NOTES:

- When Drain pump unit is used, leave the space requirement for service and maintenance. For details of Drain pump unit, refer to "[Drain pump unit for duct type](#)" in Chapter 10. OPTIONAL PARTS on page 10-71.
- \*: When drain hose is connected, the required dimension is 400 mm or more.

## ■ Maintenance space requirement

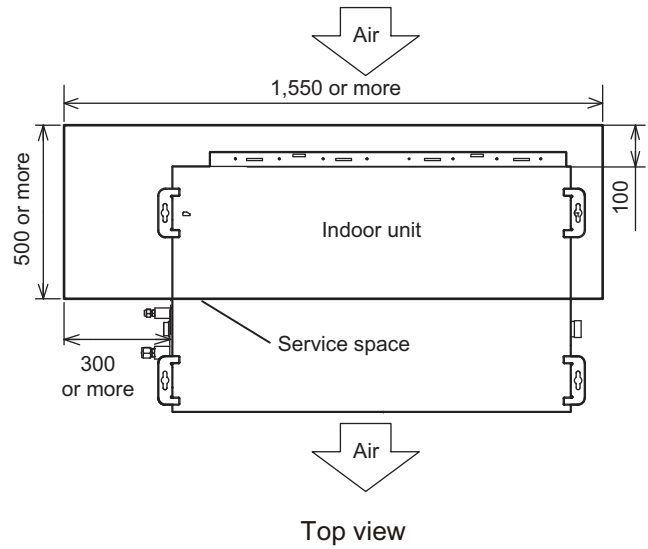
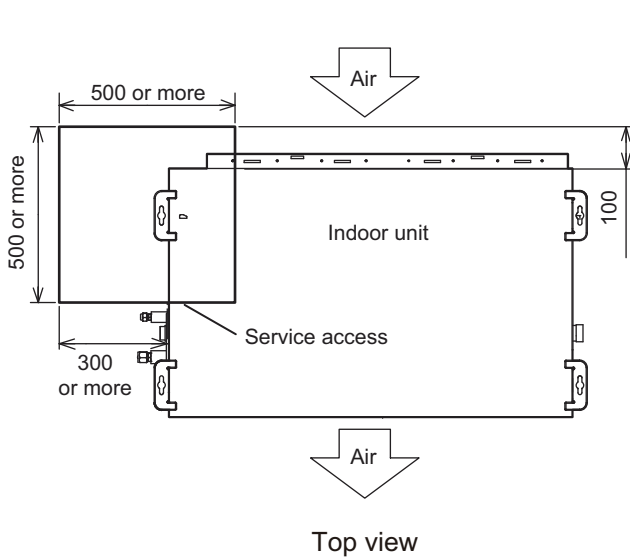
For future maintenance and service access, provide sufficient maintenance space.

**NOTE:** Do not place any wiring or illumination in the maintenance space, as they will impede service.

Unit: mm

It shall be possible to install and remove the control box.

It shall be possible to install and remove the control box, fan units, and filter.



### When using a square duct

